

Heritage® Wall Oven

Models: HWO127, HWO130, HWO227, HWO230



Table of Contents

Important Safety Instructions.....	1
Parts of the Oven .....	2
Operating the Oven .....	4
Care and Cleaning .....	12
Troubleshooting .....	15
Warranty & Service .....	16
Français.....	17

# BEFORE YOU BEGIN...

**Installer:** Leave these instructions with the oven.

**Customer:** Read this manual completely before using oven. Save the manual in a convenient place for future reference.

For service and warranty information, see Pg. 20.

If you have any questions, call:

**Dacor Customer Assurance**

833-35-ELITE (833-353-5483) USA, Canada  
Mon – Fri 5:00 a.m. to 5:00 p.m. Pacific Time

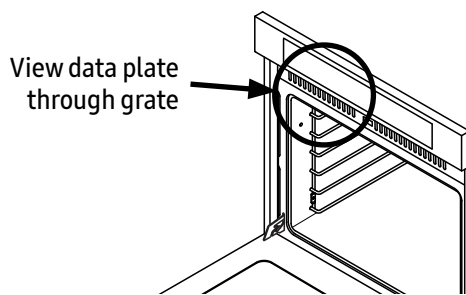
Website: [www.dacor.com/customer-care/contact-us](http://www.dacor.com/customer-care/contact-us)

Have the complete model and serial number for your appliance available. The numbers are found on the appliance data label, located inside the grill, below the control panel. Open the door to expose the grill. On double ovens, the label is located behind the top grill. Write these numbers below for future reference.

Model number \_\_\_\_\_

Serial number \_\_\_\_\_

Date of purchase \_\_\_\_\_



Since we continually improve our products, we may modify the oven without updating this manual. Visit [www.dacor.com](http://www.dacor.com) to download the latest version of this manual.

## Important Information About Safety Instructions

The **Important Safety Instructions** and warnings in this manual cannot cover all possible issues. Use common sense and caution in maintaining/operating the oven. Always contact Dacor Customer Assurance with questions and issues you cannot resolve.

### Safety Symbols and Labels

Three types of labels appear in this manual.

 **DANGER**

Immediate hazards that **WILL** cause severe personal injury or death.

 **WARNING**

Hazards/unsafe actions that **MAY** cause severe personal injury or death.

 **CAUTION**

Hazards/unsafe actions that **MAY** cause minor personal injury or property damage.

 **DANGER**

To avoid possible explosion or fire, do not keep/use explosive or combustible liquids (e.g., gasoline, alcohol, thinner) in/on/near the oven. Keep items that could explode (e.g., aerosol cans, sealed containers) away from the oven.

 **WARNING**

Do not use the oven to heat the room. Doing so may overheat the oven.

 **WARNING**

**NEVER** cover slots, holes, or passages anywhere on the oven with foil or other products. Doing so blocks air flow, causing a fire hazard.

 **WARNING: CALIFORNIA PROP. 65**

The oven contains one or more chemicals known to the State of California to cause cancer, and birth defects or other reproductive harm.

**READ AND SAVE THESE INSTRUCTIONS**

# IMPORTANT SAFETY INSTRUCTIONS

## General Safety Precautions

To reduce the risk of fire, electric shock, serious injury or death when using your oven, follow basic safety precautions, including the following:

### WARNING

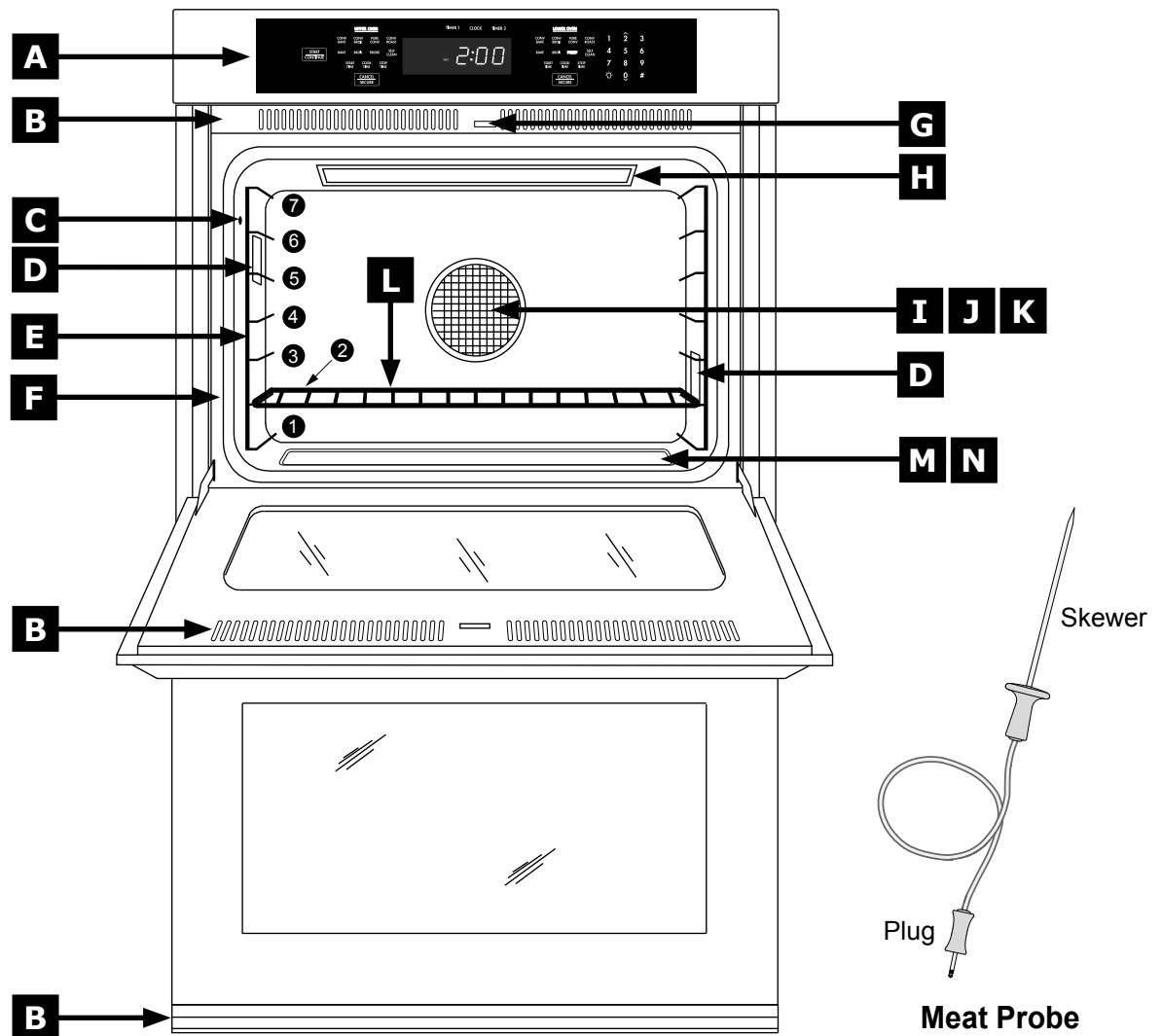
- If you receive a damaged product, immediately contact your dealer/builder. Do not install or use a damaged appliance.
- The oven must be installed by a qualified installer per these installation instructions. The installer must show the owner the circuit-breaker panel or fuse box so power to the oven can be turned off if needed. The owner shall ensure the oven's proper installation and is financially responsible for service required to correct a faulty installation.
- Do not install/repair/replace any part of the oven unless specified in the provided literature. A qualified service technician must perform all other service.
- Before any service/installation, shut off power to the oven at the circuit breaker or fuse box.
- The HWO is intended for tasks and work loads consistent with residential cooking. It is not designed for commercial use.
- Do not climb anywhere on the oven.
- Do not leave children alone near the oven or let them play with the controls or touch other parts of the oven.
- Do not store items of interest to children above the oven, thus encouraging them to climb on the oven and possibly injure themselves.
- Do not tamper with the controls, or adjust or alter any part of the oven unless as instructed by this manual.
- To prevent the oven from tipping forward and to provide a stable installation, make sure the oven is secured to the cabinet according to the accompanying installation instructions.
- Do not heat unopened food containers such as baby food jars and cans. Pressure build up may cause the container to burst and cause injury.
- Do not use water on grease fires. A violent steam explosion may result. Smother any flames with a lid, cookie sheet or flat tray. Use baking soda or a foam extinguisher to extinguish flaming grease. Be careful to avoid getting burned.
- Keep flammable items, such as paper, cardboard, plastic and cloth away from and out of the oven. Do not allow pot holders to touch hot surfaces.
- Do not heat unopened food containers such as baby food jars and cans. Pressure build up may cause the container to burst and cause injury.
- Do not use towels or bulky cloth as pot holders.

### WARNING

- Do not use the oven for storage.
- Do not use water on grease fires. A violent steam explosion may result. Smother any flames with a lid, cookie sheet or flat tray. Use baking soda or a foam extinguisher to extinguish flaming grease. Be careful to avoid getting burned.
- Keep flammable items, such as paper, cardboard, plastic and cloth away from and out of the oven. Do not allow pot holders to touch hot surfaces.
- Do not wear loose or hanging apparel while using the oven. Do not let clothing contact the interior of the oven and surrounding areas during and immediately after use.
- Clean and maintain the oven regularly as instructed in this manual. Keep the entire oven free of grease that could catch fire.
- Do not touch the outside surfaces of the oven during the self-clean cycle. They will be hot.
- Use cookware only for its intended purpose. Check the manufacturer's recommendations before use to determine if a utensil is suitable for oven use. Certain types of glass, ceramic, and earthenware are unsuitable for oven use.
- Exercise caution when opening the oven door. Let hot air or steam escape before looking or reaching inside.
- Use extreme caution if adding water to food in the oven. The steam can cause serious burns or scalds.
- Use only dry pot holders when removing food and cookware from the oven. Wet pot holders can cause steam burns.
- For your safety, do not use the oven to cook without the convection filter(s) installed. When the filter is not installed, the spinning fan blades at the back of the oven are exposed.
- Do not allow food to sit in the oven for more than one hour before or after cooking. Eating spoiled food can result in food poisoning.
- Do not leave objects, such as aluminum foil, the meat probe or cookie sheets on the bottom of the oven. Do not allow the broil elements on the ceiling of the oven chamber to be covered up. Do not line the oven with aluminum foil or other materials. Doing so may cause the oven or the items in it to overheat, creating a fire hazard or causing property damage.
- Non-stick coatings, when heated, can be harmful to birds. Remove birds to a separate, well-ventilated room during cooking.

# PARTS OF THE OVEN

<b>A</b>	Control panel	Touch keys and display; controls all oven features.
<b>B</b>	Air intake/Exhaust slots	Oven draws air through grill to cool internal parts; air exits through slot at oven bottom; keep these areas clear.
<b>C</b>	Meat-probe connector	Insert meat-probe plug here (see <b>Using the Meat Probe</b> , pg. 8); double ovens: only upper oven has connector.
<b>D</b>	Oven lights	Two 12V, 20W halogen bulbs illuminate the oven chamber; tap Light icon on control panel to turn them on.
<b>E</b>	Rack supports	Each oven chamber has 7 rack levels; supports are numbered from bottom up.
<b>F</b>	Door gasket	Keeps heat from escaping if door is closed.
<b>G</b>	Self-cleaning latch	Automatically locks oven door during high-temperature self-cleaning cycle.
<b>H</b>	Broil elements	These are on the ceiling of the oven chamber behind a glass panel.
<b>I</b>	Convection fan	Circulates heated air throughout the oven chamber during convection cooking.
<b>J</b>	Convection element	Heats air blown into oven chamber by convection fan during convection cooking; covered by convection filter.
<b>K</b>	Convection filter	Covers convection fan; helps prevent flavor transfer from one food to another when cooking a whole meal; also keeps the oven cleaner and covers moving fan blades for safety purposes.
<b>L</b>	Oven rack	Each oven has 2 GlideRack™ oven racks and 1 standard rack.
<b>M</b>	Bake element	Located in the oven floor; the source of bottom heat.
<b>N</b>	Recessed Oven Cell Bottom	To be filled with water when running a steam-cleaning cycle. (See Pg 13 for details.)

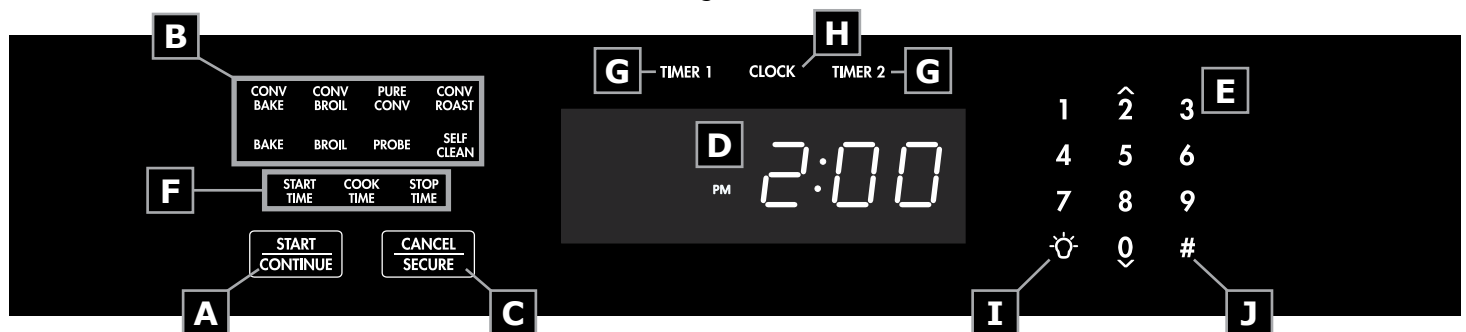


# PARTS OF THE OVEN

## Control Panel

A	START/CONTINUE	After selecting a cook mode (B), tap this key to start cooking; this key starts timers after you set a cook time and resumes cook time after a pause.
B	Operating Mode keypad	Tap one of these keys to operate the oven; operations include cooking, self-cleaning, temperature-probe use, and (double ovens only), a proof mode for breads; double ovens have one keypad per oven (see below).
C	CANCEL/SECURE	Turns off oven, returns all temperature settings to 0, turns off currently active features (except timer), and activates lock-out feature; double ovens have one of these keys per oven.
D	Display	Shows time of day and info about oven operations, including cook temperature and remaining cook time.
E	Number keypad	Use this keypad to set cook temperature and time, and time of day.
F	Time-Delay Cooking keys	Use these keys to set oven to turn on/off automatically at a later time; double ovens have one set of these keys per oven (see Pg. 8 for details).
G	TIMER 1, TIMER 2	Use these keys to time an event; these timers operate independently and can be used even if oven is off; timer keys do not turn oven on/off (see Pg. 8 for details).
H	CLOCK	Sets clock (see Pg. 5 for details).
I	Light key	Turns oven-chamber light on/off.
J	Sabbath key (#)	Activates Sabbath mode (see Pg. 13 for details).

### Single Oven



### Double Oven



# OPERATING THE OVEN

## Control Panel Settings

### Setting the Clock

1. Tap **CLOCK**.  
On the display, the colon between minutes and seconds blinks.
2. Via the numeric pad, enter the current time (e.g., if the time is 12:08, tap 1-2-0-8).
3. Tap **#** to set AM or PM.
4. Tap **START/CONTINUE**.  
The colon between minutes and seconds stops blinking.



### IMPORTANT

- The clock cannot be set during time-delay cooking if one of the timers is in use or if self-clean or Sabbath mode is active.
- When power resumes after an outage, the time display flashes, reminding you to reset the time.
- After touching the clock key, you must enter the time, and touch **START** within 6 seconds, or the previously set time reappears.

### Switching to 24-Hr (Military) Time

The default clock display is 12-hr time. You can change to 24-hr (military) time as desired (e.g., 1:36 pm = 13:36 military time.)

1. Tap-hold **CLOCK** for 6 seconds.  
The display shows the current time mode.
2. On the numeric pad, tap **#** to change to 24-hr mode.
3. Touch **CANCEL/SECURE**.  
The display shows the time of day in 24-hr mode.

### Setting the Temperature Scale

You can select Fahrenheit (factory default) or Celsius as the cooking temperature scale.

1. Tap-hold **BROIL** (under UPPER OVEN on double ovens) for 6 seconds.  
The display shows the current temp scale ("F" or "C").
2. Touch **#** to change the scale.
3. Touch **CANCEL/SECURE**.  
The display shows the selected temperature scale.

### About the Control Panel "Beep"

The control panel beeps when you tap a key, when a timer reaches zero (Pg. 8), when there is an error, and when the oven performs certain functions. You can silence/activate the beep.

1. Tap-hold **START TIME** for 6 seconds until "beep" appears on the display.
2. Tap **#** to switch off/on the beep.
3. Tap **CANCEL/SECURE** to set your selection.

## Before Cooking

- Before its first use, you should turn the oven on for 1 hour at 500°F to burn off residual oils used in manufacturing. This removes undesirable odors that the oven may otherwise emit the first few times it is used.
- **PREHEATING:** When baking/roasting, the oven preheats automatically. Preheating time varies depending on the temperature setting and your community's type of electrical supply. Preheating cannot be used for broiling.



### CAUTION

To avoid staining/pitting the oven's porcelain surfaces, immediately wipe up food acids (e.g., citrus juices, tomato sauces).

## Positioning the Oven Racks

You may use either rack type on any level inside the oven.

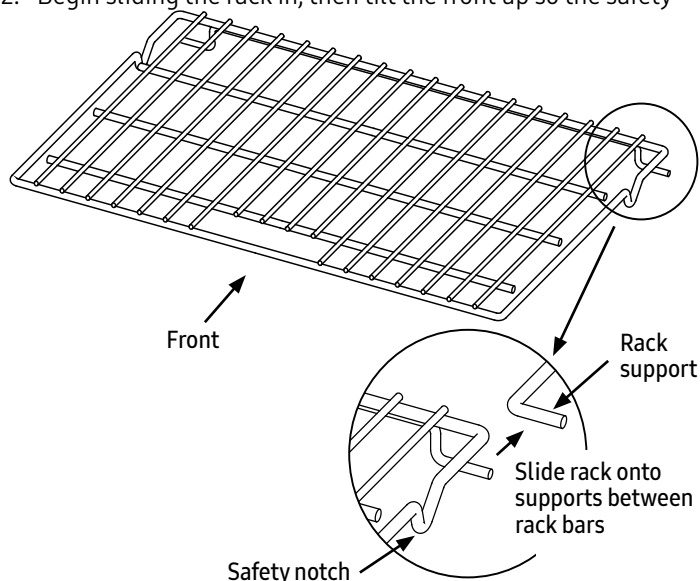


### WARNING

To reduce the risk of burns, position the racks when the oven is cool. If you must reposition a rack when the oven is hot, use potholders.

### Inserting/Removing a Standard Oven Rack

1. Grasping the front of the rack, slide it onto the left- and right-side supports as shown in the graphic.
2. Begin sliding the rack in, then tilt the front up so the safety



notches clear the ends of the rack supports.

3. With both hands, push the rack all the way in.
4. Grasp the front of the rack with both hands, and pull gently outward until the rack stops.
5. Lift the front of the rack 6 inches to clear the safety guides, and pull the rack completely out.

### Inserting/Removing a GlideRack™ Oven Rack

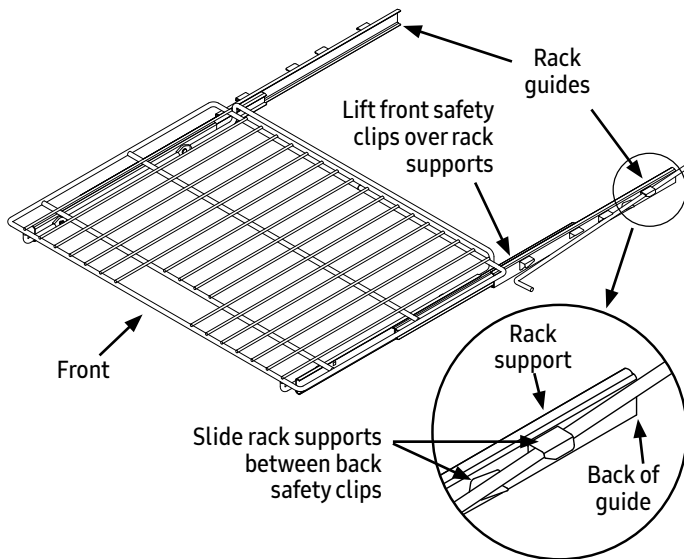
# OPERATING THE OVEN

Each oven comes with two Dacor GlideRack oven racks. These racks can be pulled out further than a standard rack and still support pots and pans full of food or an optional Dacor baking stone.

1. Align the left and right safety clips on the back of the rack guides with the rack supports.

NOTE: Install the rack with the guides retracted or extended.

2. Begin sliding the rack in, lifting the front safety clips over the



front of the oven rack supports.

3. Push the rack all the way in.
4. Pull by the rack's center-front handle. The rack slides forward; the guides remain in place.
5. Grasp the front of the rack with both hands, and pull it gently outward you until it stops.
6. Lift until the front safety clips just clear the front of the rack supports, and continue pulling.

NOTE: Jiggle the rack side to side as you pull for easier removal.

## Turning On the Oven

After adjusting the racks to the cooking task, select the best mode.

- **CONVECTION BAKE** - Uses the convection fan and a bottom heat source (for single-rack items in a deep pan).
- **CONVECTION BROIL** - Uses the convection fan and a top heat source (for items that do not need turning: e.g., fish, garlic bread, thinner cuts of meat).
- **PURE CONVECTION™** - Uses only convection cooking for even heat (for baked goods, multi-rack cooking).
- **CONVECTION ROAST** - Uses top and bottom heat sources with the convection fan (for rib roasts, turkeys, chickens, etc).
- **BAKE** - Uses a bottom heat source (common for basic recipes).
- **BROIL** - Uses a top heat source (for grilling smaller cuts of meat or toasting bread).

### IMPORTANT

- Keep the oven door closed as much as possible when cooking.
- The oven door must stay closed, and the meat probe must be disconnected for all broiling modes.

See Pg. 6 for detailed about the various cooking modes.

1. Tap a cook mode key. The preset temperature appears on the display with the icon(s) for the selected cook mode. Double ovens: Select the desired oven by tapping the cook mode key under UPPER OVEN or LOWER OVEN.
2. To cook at the preset temperature, touch START/CONTINUE; otherwise, enter the temperature (ex. 4-2-5) on the numeric pad, then touch START/CONTINUE. You can enter any temperature from 100°F (37°C) to 555°F (291°C). The suggested broil temperature is 555°F. Double ovens have one START key (control panel, left side) that starts both ovens.

### NOTE

When using Pure Convection or a bake or roast mode: "PRE-" (preheating) and the current oven temperature appear on the display until the oven reaches the set temperature (usually 15-20 min), then it beeps, and "PRE-" disappears.

3. When the preheat chime sounds, carefully place your food in the oven. Placing the food in the oven during preheating will overcook the food.

## Turning Off the Oven

To turn the oven off, tap CANCEL/SECURE. Double ovens: Tap CANCEL/SECURE under the operating oven (UPPER or LOWER).

### NOTE

After you turn off the oven, the cooling fans may continue to run until the oven's internal parts have cooled down.

## Changing the Oven Temperature

To change the cooking temperature while the oven is on:

1. Tap the selected cooking-mode key. The symbol for that cooking mode appears on the display.
2. Enter the temperature on the keypad (ex: 3-7-5), and tap START/CONTINUE.

### IMPORTANT

- If you increase the temp by 50°F (28°C) or more, the oven enters Preheat mode to raise the temperature rapidly to the new setting. (PRE- appears on the display.) To prevent excessive browning, you should take the food from the oven while "PRE-" is on the display.
- If you lower the temp, it is best to place the food in the oven after the new, lower temp appears.



# OPERATING THE OVEN

## About Cook Mode Preset Temperatures

The oven has a default temperature for each cook mode to avoid entering the temperature with each use. See **Turning On the Oven** for directions on how to cook at the preset temperature.

Cook Mode	Preset Temp
Convection Bake	325°F (163°C)
Pure Convection	
Bake	350°F (177°C)
Convection Roast	375°F (191°C)
Broil	555°F (291°C)
Convection Broil	

## Changing the Cook Mode

To change the cooking mode while the oven is on (ex: to change from Convection Bake to Bake), tap the key for the new cooking mode, then tap **START/CONTINUE**.

## Enabling/Disabling Control Lock-Out

1. Tap-hold **CANCEL/SECURE** for 6 seconds.  
The control-panel keys deactivate; **OFF** appears on the display. Only **CANCEL/SECURE** and the oven-light keys function. Double ovens: Touching the upper or lower **CANCEL/SECURE** key locks the control panel for both ovens.
2. Touch-hold **CANCEL/SECURE** for 3 seconds.



### NOTE

Activating Lock-out turns off all active timers.

## About the 12-Hr Timer

The oven has a factory-programmed timer that automatically turns the oven off after 12 hours of continuous use. This timer resets if you change the cooking temperature or mode.



### NOTE

The 12-hr timer is automatically disabled when Sabbath mode is active.

To disable/enable the 12-hour timer:

1. With the oven off, tap-hold **TIMER1** until the control panel beeps and **12Hr** appears on the display (about 10 sec's), then **ON** appears when the 12-hr timer is enabled.
2. Tap **#** to enable/disable the 12-hr timer.
3. Tap **CANCEL/SECURE** to save the changes and return to the clock display.

## About the Cook Modes

There are three basic types of oven cooking:

- Baking—Gentle cooking of dry foods (e.g., cookies, cakes, soufflés).
- Roasting—Cooking of meats/vegetables for longer periods (perhaps hours).
- Broiling—Cooking with intense heat for short periods.

## Baking

In this conventional mode, heat is applied from below. Most baking times are established in this mode.

- For best results, use a single rack. Multi-rack baking should be done in a convection mode.
- Follow the recipe's original cook time and temperature, and use the oven timers to set the cook time.
- Avoid opening the door, and check progress through the window when possible.
- Check the food at the shortest recommended baking time. (For cakes, a wooden toothpick poked into the center emerges clean when the food is done.)

## Convection

The convection modes are Pure Convection, Convection Bake, and Convection Roast. Usually, cook times are about 25% shorter in convection modes. Set the timer 15 minutes shorter than the shortest stated cook time, and adjust as needed.

In Pure Convection and Convection Bake modes, some recipes, especially homemade foods, may require adjustment and testing when converting from standard baking. If you are unsure how to convert a recipe, start by preparing the recipe using standard bake settings.

If the food does not cook properly in the first trial, adjust one aspect (e.g., cook time, rack level, temperature), and repeat the test. Adjust one variable at a time until you perfect the process.

## Pure Convection

Uniform air circulation lets you optimize oven space. Use this mode for single- and multi-rack baking, roasting, and preparation of complete meals. Many foods (e.g., pizza, cake, cookies, rolls, and prepared frozen foods) can be prepared on two or three racks at once. Pure Convection is also good for whole roasted duck, lamb shoulder, and short leg of lamb.

For multi-rack baking:

- Typically, you would use rack Levels 3 and 5 (counting from the bottom). When baking on three racks, use Levels 2, 4, and 6.
- When adapting a single-rack recipe to multi-rack baking, you may need to lengthen the bake time due to the greater mass of food in the oven.

## Convection Bake

Use this mode for single-rack baking. This combination of the convection fan and bottom heat is best for fruit crisps, custard pies, double-crusted fruit pies, quiches, yeast-bread loaves, and popovers. Items baked in a deep ceramic dish or clay pots are best in this mode. Most of these items cook in a deep pan and require browning on the top and bottom.

## Convection Roast

This mode combines the convection fan with top and bottom heat, and is best for bulky meats (e.g., rib roasts, poultry, pork





# OPERATING THE OVEN

shoulder).



## Broiling

There are two types of broiling: Broil and Convection Broil.

  <b>WARNING</b>
<ul style="list-style-type: none"><li>• The oven door must be completely closed when broiling.</li><li>• Never leave the meat-temp probe in the oven when broiling. If the probe is plugged in, broil modes will not start, and the probe symbol flashes if you try to activate a broil mode.</li></ul>

Broiling is a quick, flavorful way to prepare such foods as steak, chicken, chops, hamburgers, and fish.

### Broil

Broil uses top heat and is best for cooking smaller amounts of food.

### Convection Broil

This mode combines the convection fan with top heat. It is best for items that do not need turning (e.g., thinner cuts of meat, fish, garlic bread).



- To reduce the chance of overcooking, use rack Levels 1 – 4; results depend on the rack level and type of food being broiled.
- It is normal and necessary for some smoke to be present to give the food a broiled flavor.
- You should set the timer when broiling.
- Always use a grill over a broiler pan so fat and grease can drain. This reduces, spatter, excess smoke, and flare-ups.
- Start with a room-temp broiler pan for even cooking.
- Use tongs or a spatula to turn/remove meats. Never pierce the meat or the natural juices will escape.
- Broil food on the first side for a little more than half of the recommended time, then season and turn. Season the second side just before removing the food from the oven.
- To prevent sticking, lightly grease the broiler grill. Excess grease will result in heavy smoke. For easier cleaning, remove the broiler pan and grill when removing the food.

## Using the Oven Timers

The oven's two timers can be used simultaneously and set for 1 minute to 99 hrs 59 min. The timer symbol appears on the display when one or both timers is active.

 <b>WARNING</b>
The timers do not turn the oven off. To learn how to turn the oven off automatically, see <b>Using Time-Delay Cooking</b> .

 <b>NOTE</b>
Touching <b>CANCEL/SECURE</b> does NOT reset or stop the timers.

1. Tap **TIMER1** or **TIMER 2**.
2. On the keypad, enter the desired cook time in hours and minutes (Ex: 11 hrs, 30 mins, tap 1-1-3-0; or 25 mins, tap 2-5).
3. Tap **START/CONTINUE**.  
The cook time appears on the display and begins counting down.

When the countdown ends, 0:00 appears on the display. The Timer number (1 or 2) blinks, and a beep sounds. The alarms for Timer1 and Timer 2 have different cadences.

Timer	Alarm Cadence
1	1 sec on, 1 sec off, repeat
2	1 sec. on, 1 sec. off, 2 sec. on, 1 sec. off, repeat

4. When the alarm sounds, tap **TIMER** to silence the alarm, then tap **CLOCK** to return to the main display.

## Viewing Settings As the Timer Counts

While a timer (or timers) runs, you can check the clock or other timer without interrupting their operation.

- Tap **CLOCK** to view the current time.
- Tap **TIMER1** to view the time left on (or to set) Timer1.
- Tap **TIMER 2** to view the time left on (or to set) Timer 2.

## Changing the Time On a Timer

1. Tap **TIMER1** or **TIMER 2**.
2. On the keypad, enter the new time, and tap **START/CONTINUE**.

## Stopping a Timer Before Time Runs Out

1. Tap the desired timer key twice.  
The timer stops; the zeroes out.
2. Tap **CLOCK** to return to the main display.

# OPERATING THE OVEN

## Using Time-Delay Cooking

This feature lets you set the oven to turn itself on/off.

### About Time-Delay Cooking

- Time-delay can be used for all but the Broil modes.
- You may use the timers while using time-delay cooking.
- Cancel a time-delay cycle any time by tapping **CANCEL/SECURE**.

#### **WARNING**

Food safety is an important consideration in time-delay cooking. To avoid sickness and spoilage, take these steps:

- Avoid using foods that will spoil before the oven turns on (e.g., foods containing eggs, dairy products, cream soups, meat).
- Do not leave food in the oven after it turns off. When the temp drops below 140°F (60°C), bacteria can develop.
- Place only very cold or frozen food in the oven. Most unfrozen foods should rest in the oven no more than 2 hours before cooking starts.

### 3 Ways to Use Time-Delay Cooking

The keys are used for time-delay cooking.

- **START TIME**: The time when the oven starts cooking.
- **COOK TIME**: The amount of time the oven cooks before entering Hold mode.
- **STOP TIME**: The time when the oven turns off and enters Hold mode.

When you set two of these times, the oven automatically calculates the third.

- Set the time the oven turns on (START TIME), and set it to turn off later using either COOK TIME or STOP TIME.
- Set START TIME only, then turn the oven off manually when you are done cooking.
- Turn the oven on manually, and set it to turn off later using either COOK TIME or STOP TIME.

### About Hold Mode

- When you use COOK TIME or STOP TIME to set the oven to stop cooking, it enters Hold mode (**Hld** appears on the display) when it reaches the end of the set cook time. The oven keeps the temperature at 150°F (66°C) for 2 hours.
- Touch CANCEL/SECURE to turn the oven completely off.
- To avoid sickness, do not leave foods in the oven after hold mode turns off.

### Using Time-Delay Cooking

#### **NOTE**

Delay-timed cooking cannot be used in Sabbath mode.

1. Adjust the racks as needed, and put the food in the oven.
2. Select the cooking mode (except the Broil modes).
3. Enter a cook temperature.

If you want to turn the oven on immediately and turn off automatically at a later time, go to Step 5.

4. Tap **START TIME**, and enter the time you want the oven to start. For 12:35, tap 1-2-3-5. You may enter a time up to 22 hrs and 59 mins ahead of the present time; tap **#** to change AM or PM.
5. (To set the stop time or cooking duration) Tap either **STOP TIME** or **COOK TIME** (otherwise, go to Step 6).  
COOK TIME lets you determine when the oven stops cooking by entering the amount of time the oven is on. STOP TIME lets you determine when the oven stops cooking by entering the clock time. Either key achieves the same result.
6. TAP **START/CONTINUE**.

If you set a START TIME, the oven starts at that time.

If you entered a COOK TIME or STOP TIME, the oven cooks until the set time, then enters Hold mode.

#### **IMPORTANT**

The regular pre-heat feature (see **Before Cooking**, Pg 4) cannot be used for time-delay cooking. The time needed to reach the cook temperature must be added to the cook time, which increases with the cook temp and amount of food.

### More About Time-Delay Cooking

When the oven is in Time-Delay mode, push:

- **CLOCK** to view the time
- **START TIME** to view the set start time
- **STOP TIME** to view the set stop time
- **COOK TIME** to view the set cook time.

## Using the Meat-Temperature Probe

When you cook foods like roasts and poultry, taking the internal temperature is the best way to verify that the food is fully cooked. The oven comes with a meat probe that lets you cook food to the exact temperature required. The probe measures temperatures of 100°F (38°C) to 200°F (93°C).

#### **WARNING**

- To avoid burn injuries, use hot pads or oven mitts to handle, connect, and detach the probe when the oven is hot.
- Use the handle to insert/remove the probe's skewer and to connect it to the oven. Pulling by the cable could damage the probe. To avoid breaking the probe, ensure the food is completely defrosted before inserting the skewer.
- Never leave the probe in the oven when you are not cooking anything, especially during the self-clean cycle.
- Using a 3rd-party probe may damage the probe/oven.

#### **NOTE**

- The meat-temp probe does not work in Broil and Sabbath modes. If you plug in the probe when in Broil and Sabbath modes, the probe symbol blinks, indicating an error.
- If you detach the probe after tapping **PROBE**, the probe symbol blinks, and the **OPn** error appears on the display.

1. Insert the skewer in the thickest part of the prepared meat.


# OPERATING THE OVEN

(The point should be at the center of the meat away from fat and bone. With fowl, hold the skewer parallel to the pan, and insert it in the thickest part of the breast until the tip is 3/4" from the body cavity.)

- Close the oven door, and set a cook mode. The mode's preset temperature appears on the display. If you want to change the temp, enter it via the number pad.
- Tap **START/CONTINUE**. The oven enters preheat mode; **PRE-** appears on the display. Wait until the oven is preheated (**PRE-** disappears) to put in the meat to avoid over-browning.
- With oven mitts, put the meat in the oven. Plug the meat probe plug in the connector inside the oven chamber.
- Tap **PROBE**. The preset probe temp (160°F/71°C) and probe icon appear on the display. If you want to change the probe temp, enter it via the numeric pad. Use this chart to measure doneness:

USDA Minimum-Safe Cook-Temperature Chart	
Ground Meat and Meat Mixtures	
Beef, pork, veal, lamb	160°F (71°C)
Turkey, chicken	165°F (74°C)
Fresh Beef, Veal and Lamb	
Steaks, roasts, chops	145°F (63°C)
Poultry	
Chicken/turkey, whole (temp taken in thigh)	165°F (74°C)
Poultry breasts, roast	
Poultry thighs, legs, wings	
Duck and goose	
Stuffing (cooked alone or in bird)	
Fresh Pork	
Fresh pork	160°F (71°C)
Ham	
Fresh (raw)	160°F (71°C)
Pre-cooked (reheat)	140°F (60°C)
NOTE: Min. safe internal cooking temp's are subject to change. If bacteria change, so do the temp's needed to eliminate them. For current info, contact the USDA Meat and Poultry Hot Line: (800) 535-4355 or visit <a href="http://www.fsis.usdagov">www.fsis.usdagov</a>	

- Tap **START/CONTINUE**. If you do not tap **START/CONTINUE**, Probe mode will not activate.

 **IMPORTANT**

When using the meat probe, the oven controls the cook time and displays the meat temperature. When the meat reaches the set temp, the oven enters Hold mode, in which the temp lowers to 150°F (66°C) for 2 hours to keep the meat warm and safe for serving. To prevent illness, do not leave food in the oven after it has turned off. Touch **CANCEL/SECURE** to cancel hold mode and turn the oven completely off.

## Changing the Probe Temp While Cooking

- Tap **PROBE**. The current probe temperature appears on the display.
- Enter the new temperature. The oven display shows the new probe temp; if no temp is entered, the oven keeps cooking at the original setting.

## Changing Cook Modes While In Probe Mode

- Tap **CANCEL/SECURE**.
- Tap the desired bake-mode key, and on the numeric pad, enter the new temp.
- Tap **START/CONTINUE**.

## Canceling Probe Mode While Cooking

- Tap **PROBE** twice, and unplug the meat probe. The oven returns to its original settings.

## Important Meat-Temp Probe Details

- You must select a cook mode, then tap **PROBE**.
- When using the meat probe, the preheat cycle is disabled. For best results, engage the probe after the oven preheats.
- Probe mode cancels itself after 30 seconds, and the probe icon blinks on the display if the probe is not plugged in.
- Probe mode takes precedence over time-delay cooking. The oven keeps cooking the meat until it reaches the selected probe temp regardless of the set **STOP TIME** or **COOK TIME**, then enters Hold mode.

## Dehydrating/Defrosting

Dehydrate or defrost foods at low heat settings in Pure Convection mode.

 **WARNING**

To avoid food poisoning, cook meats immediately after defrosting them.

## Dehydrating/Defrosting Foods

- Position the racks, and center the food on the rack. (If dehydrating) Prepare food as recommended, then place it on a drying rack.
- Tap **PURE CONV**.
- (If defrosting) Enter a temperature up to 150°F (66°C). (If dehydrating) Use the table below to set the temperature, then raise the temp as needed.

Food Type	Dehydrating Temperature
Fruit	100°F (38°C)
Vegetables	125°F (52°C)
Meat	150°F (66°C)

- Tap **START/CONTINUE**.

# OPERATING THE OVEN

## Using the Proof Feature

You can proof yeasted dough at a low, draft-free temperature in Bake mode. This procedure assumes the dough is in a greased bowl covered with a damp cloth or with plastic wrap sprayed with a non-stick substance.

1. Tap **BAKE**.  
(Double ovens: The PROOF key is with the LOWER OVEN controls. You may tap PROOF instead of BAKE. If so, the oven sets the temperature.)
2. On the numeric pad, enter 100°F (38°C), and tap **START/CONTINUE**.
3. Put the dough in the oven, and turn on the oven lights.
4. Set the timer for the recipe's rise time.

## Using Sabbath Mode

Sabbath mode complies with Jewish law for Sabbath and Holy Day use. When active, only Bake and Pure Convection modes can be used, and the oven lights are disabled as well as all keys except CANCEL/SECURE, START, and the 0 and 2 keys on the numeric pad.



### NOTE—SABBATH MODE

- **SAb** appears on the display.
- When setting this mode, touch all keys within 6 seconds of each other, or the control panel automatically clears.
- Double ovens: You cannot use one oven in normal mode if the other is in Sabbath mode.
- This mode will not work if the meat probe is plugged in; the probe icon blinks.
- Time-delay cooking cannot be used.
- When power is restored after an outage, the oven returns to Sabbath mode at the previous temperature setting.
- Active oven timers are automatically canceled when Sabbath mode is selected.
- Suggestion: Use a rack thermometer to track the oven temp.

## Activating Sabbath Mode

Double ovens: perform this procedure for one oven, then use Steps 2 – 4 to activate Sabbath mode on the other oven.

1. Tap **#**.
2. Tap a cook mode (**BAKE** or **PURE CONV** only).  
Double ovens: Tap the key for the intended oven.
3. Tap the **0** or **2** key repeatedly to change the pre-selected cooking temperature shown on the display.
4. Tap **START/CONTINUE**.  
The oven enters Sabbath mode and cooks in the mode you selected in Step 2.

## Important Sabbath Mode Details

- CANCEL/SECURE is active so you can turn off Sabbath mode and the oven. Double ovens: both CANCEL/SECURE keys are active.
- When the oven is cooking, tapping 2 > START/CONTINUE tells the oven to raise the temperature 25°F (15°C). Tapping 0 > START/CONTINUE tells the oven to lower the temperature by

25°F (15°C). In compliance with Jewish law, the bake elements are adjusted randomly when these keys are touched, and no changes appear on the display. Double ovens: you must touch BAKE or PURE CONV for the oven on which you want the temperature changed before touching 0 or 2.

## Adjusting the Oven Temperature

Your oven was factory-calibrated to cook at the displayed temperature, but cook times may vary from your old oven.



### WARNING

To ensure proper, safe operation, do not adjust the probe or self-clean offset temperatures.

**IMPORTANT:** Do not measure interior oven temperature with a thermometer. Opening the door compromises the reading. Also, the interior temperature varies as the elements cycle on and off. If you are unsatisfied with the results from your oven, you can adjust the temperature offset.

1. With the oven off, tap-hold both **0** and **#** on the numeric pad. In about 3 seconds, **PASS** appears on the display.
2. Immediately enter **6428** on the numeric pad, then tap **START/CONTINUE**.  
**SLCt** (select) appears on the display.
3. Select the intended cook mode.  
The current offset temperature appears on the display (e.g., 00, if you have never adjusted the temperature.)
4. On the numeric pad, enter the desired increase/decrease in temperature.  
You may enter a number from 35°F to -35°F (18°C to -18°C). To enter a minus sign, tap **#** after entering the number(s). A minus sign means the oven will be cooler by the amount shown. If you do not touch **#**, the oven will be hotter by the amount shown.  
**Edit** appears on the display as you enter the offset value.
5. Tap **START/CONTINUE** to save the setting.
6. Repeat Steps 3 – 5 for any other cook-mode temperatures you want to offset.
7. Tap **CANCEL** to exit Offset mode.

# CARE AND CLEANING

## WARNING

- Clean as instructed only the oven parts listed in this manual.
- To avoid dangerous fumes and surface/accessory damage, use only the cleaning solutions specified in this manual.
- Before cleaning, ensure the oven is off and all parts are cool.
- Do not use abrasive/corrosive cleaners or applicators (e.g., steel wool, scouring pads) anywhere on the oven except as instructed. Use only a sponge, soft cloth, fibrous or plastic brush, or nylon cleaning pad on the oven surfaces.
- Do not steam-clean the oven exterior. Steam could penetrate the electrical parts and short the circuit.
- Do not use sharp objects (e.g., knife, metal spatula) to remove heavy spills.

## About Self-Clean Mode

- For best results, the oven chambers should be cleaned regularly. The self-cleaning feature heats the oven to very high temperatures to burn off surface deposits and takes about 2 ½ hours.
- Smoke is normal during the first few self-clean cycles. The oven also emits popping sounds during self-cleaning due to metal expanding/contracting as the oven heats and cools.
- Remove the meat-temp probe before entering self-clean mode.
- If soild remains after self-cleaning, you may run another cycle.
- Self-clean the oven regularly to prevent residue buildup.

## WARNING

- For less smoke and better efficiency, wipe up grease and other residue with a damp cloth before self-cleaning. (See the cleaning instructions on this page.)
- Exterior oven surfaces will be very HOT during self-cleaning.
- To avoid product damage/ruin, remove the racks and all foreign objects from the oven during self-cleaning.

## Using the Self-Clean Feature

### IMPORTANT

- Double ovens: Due to the amount of power consumed, only one oven chamber can be self-cleaned at a time. You cannot cook in the other oven when one is in self-clean mode.
- For their protection, the oven lights are disabled during self-cleaning.
- Remove the meat-temp probe before self-cleaning. (The probe icon blinks if you try to start self-cleaning with the probe attached).

1. Remove the racks and all other loose objects from the oven chamber. (See Pg. 12 for filter cleaning instructions).
2. Wipe the interior door surfaces outside the door gasket with a vinegar-water solution, then wipe them dry. Clean heavily soiled areas with a plastic scouring pad.
3. Dab the door gasket gently with a soft cloth moistened with a mild-soap and water solution.

## CAUTION

- To avoid compromising the tight seal needed for best function, do not scrub the door gasket.
- Forcing open the locked oven door may damage the door and latch.

4. Turn on kitchen fans or vents to help remove odors during self-cleaning.
5. Shut the oven door, and tap **SELF CLEAN**.
6. Tap **START/CONTINUE**.  
The oven door locks automatically to prevent personal injury from the high temperature generated during the cycle. If the door is ajar, an error message appears on the display. To clear the error, touch CANCEL/SECURE, wait 1 minute, and close the door. When the error clears, redo Steps 5 and 6.

The display shows the self-clean cycle status:

- The clean symbol indicates that self-clean is in process.
- The lock symbol indicates that the door is latched.
- “ON” indicates that the heating elements are on.

To stop self-cleaning, tap CANCEL/SECURE. The oven door remains locked until the oven cools sufficiently. (The lock symbol disappears from the display). The oven may still be hot, so be cautious.

When self-cleaning is complete:

- The door latch releases when the inside has cooled down. The Clean icon, Lock icon, and ON indicator disappear from the display. The oven, however, is still HOT.
- Reinstall the convection filter before using the oven.
- A powdery residue normally coats the oven floor after self-cleaning. When the oven is cool, wipe up the residue with a damp cloth or sponge.



## Setting Delayed Self-Cleaning

1. Prepare the oven for self-cleaning as instructed in the previous procedure, and close the oven door.
2. Tap **SELF CLEAN > START TIME**.
3. On the numeric keypad, enter a start time (e.g., for 12:30, tap 1-2-3-0).  
Maximum delayed start period is 22 hr, 59 min.
4. Tap **START/CONTINUE**.  
**DELAY** appears on the display; the oven door locks. Self-cleaning will start at the set time.

When the oven is set for time-delay self-cleaning:

- you can tap **CLOCK** to view the time of day; with the clock is displayed), you can tap **START TIME** to view the self-cleaning start time.
- when self-cleaning starts, **DELAY** disappears from the display, and **ON** appears.

To cancel time-delay self-cleaning, tap **CANCEL/SECURE**.

If	Then
self-cleaning has not started,	allow 1 minute for the door to unlock before using the oven.
self-cleaning has started,	the oven door unlocks when the oven chamber has cooled somewhat—the oven will still be about 400°F (205°C).

## About Steam-Clean Mode



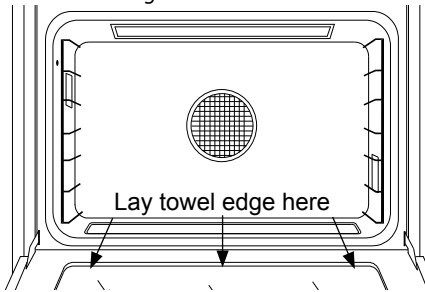
# CARE AND CLEANING

This is a quick, easy way to clean light soil inside the oven. Double ovens: Both ovens may be steam cleaned at once. Perform steam cleaning whenever you see soil collecting in the oven chamber.

## WARNING

- To avoid steam burns, do not pour water into a hot oven.
- The water left in the oven directly after steam cleaning is hot.
- Do not use a temperature higher than 185°F (85°C).

1. Remove the oven racks and all foreign objects.
2. In the cool oven chamber, pour 1½ cups water (preferably distilled) into the recessed area of the floor. For slightly heavier buildup, you may mix a teaspoon of dish soap into the water before pouring.
3. Fold a dish towel in half lengthwise; lay the long edge along the oven-chamber floor so the towel's front edge overhangs the front between the door and door gasket to catch water that may dribble out during cleaning.
4. Close the oven door, tap **BAKE**, then set the oven to 185°F (85°C), and tap **START/CONTINUE**.
5. Set the timer (see Pg. 8) for 20 minutes.
6. When the timer beeps, tap **CANCEL/SECURE**, wait 10 minutes, and open the door. (Stand aside to let steam escape safely; condensation and some water will remain inside.)
7. With a soapy sponge, wipe the inside of the door window, then carefully wipe up the water from the oven chamber.
8. With the soapy sponge, scrub the oven chamber until all surfaces are completely clean. Lime deposits can be removed with a vinegar-soaked cloth.
9. Dry all interior surfaces with paper towels, and leave the door ajar so all moist air can escape.



To prevent scratching, always wipe stainless-steel "with the grain," and do not clean with abrasive cleaners/scrubbers.

Using a soft cloth, clean metal surfaces with a mild-soap and warm water solution. Rinse and dry with a soft, lint-free cloth.

## Glass (Interior/Exterior)

Clean glass surfaces with a mild glass cleaner or with Dacor Cooktop Cleaning Creme (per package directions).

You may clean the oven's light lens by scrubbing softly with the rough side of a sponge moistened with warm, soapy water.

## Cleaning the Oven Interior

### Cleaning the Convection Filter

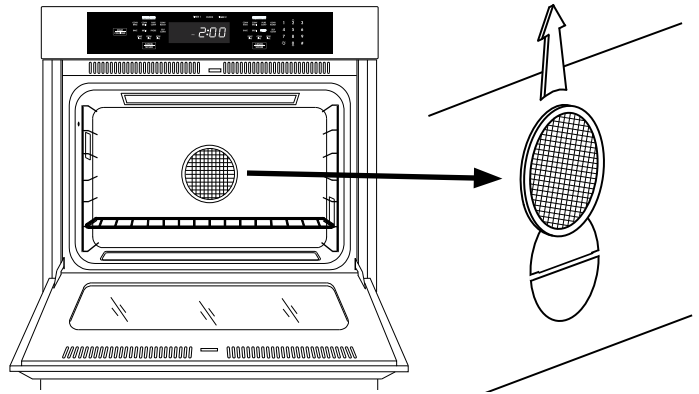
## WARNING

Before cooking again, re-install the filter to ensure proper function and to avoid a safety hazard from fan blades.

The convection filter is in the oven chamber's rear wall. Clean the filter regularly so convection modes work properly.

When the oven is cool, put your fingers around the edges of the filter, and gently push up.

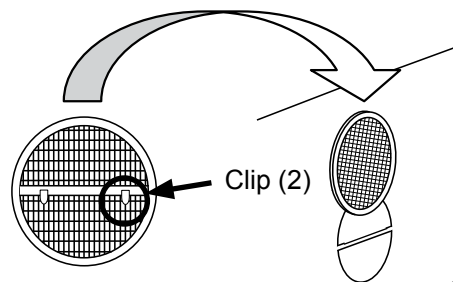
1. Soak the filter in hot, soapy water, or (put it in the dishwasher's top rack).
2. If cleaning by hand, rinse the filter well, wipe it dry.
3. Taking care not to mar the oven-chamber finish, center the



filter over the fan hole, and carefully hook the metal clips over the hole's crossbar.

### Cleaning the Door Gasket

## WARNING



## Cleaning the Exterior

### Control Panel

## WARNING

Do not use abrasive cleaners/scrubbers on the control panel. They will permanently damage the finish.

To avoid accidentally turning the oven on while cleaning the control panel, lock out the panel by tap-holding **CANCEL/SECURE** for 6 seconds. **OFF** appears on the display. (To re-activate the control panel, tap-hold **CANCEL/SECURE** for 6 seconds.)

Clean the control panel with the soft side of a sponge dampened with a mild detergent-and-warm-water solution. Dry the panel completely with a soft, lint-free cloth.

### Stainless-Steel Surfaces

## CAUTION

# CARE AND CLEANING

Clean the door gasket with extreme caution to avoid compromising the seal required for proper cooking and self-cleaning.

Clean the door gasket by dabbing it with a solution of water and mild soap. Do not scrub it or it will become damaged.

## Cleaning the Oven Racks

### CAUTION

Do not self-clean the oven racks.

- ▶ Apply a hot-water and detergent solution. For heavy soil, use a scouring pad with ample water. (Instead of water, you may use a solution of 1 cup of ammonia to 2 gallons of water.)

## Cleaning the Meat-Temperature Probe

### CAUTION

- Do not immerse the meat probe in water.
- To ensure proper function, dry the probe's plug completely before connecting it to the oven.

The meat probe has silicone handles, a wire, a plug and a stainless-steel skewer.

1. Clean the skewer with a scouring pad and hot, soapy water.
2. Wipe the handles with a soft sponge soaked with a solution of detergent and warm water.
3. Dry all surfaces thoroughly with a clean, soft cloth.

## Replacing the Light Bulbs

This task can be done by the owner. If none of the lights work, before replacing them, consult **Troubleshooting**, Pg. 17.

### WARNING

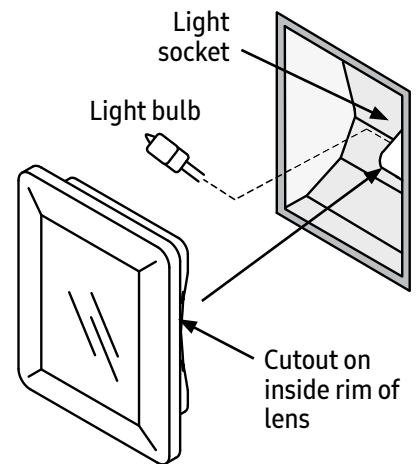
- To prevent an electric shock hazard and personal injury, turn off power to the oven, and ensure the oven and bulbs are cool.
- Only use the oven with the lens covers installed. The covers protect the bulbs from high temps and mechanical shock.
- Replacing the lens cover without lining up the cutout with the light socket will damage the light fixture.
- Do not use a screwdriver to remove the lens.

### IMPORTANT

Do not touch the replacement halogen bulbs with your fingers. Oils from your hand make the bulbs burn out faster than normal.

1. Replace the light bulb only with Dacor bulb PN100429, 12V 20W. (Visit [www.everythingdacor.com](http://www.everythingdacor.com) for ordering information.)
2. Turn off power to the oven at the circuit breaker/fuse box.
3. Supporting the lens from below, gently pry it loose with a table knife, and pull the lens cover straight out.
4. Pull the old bulb straight out of the socket.
5. Wearing a glove, take the new bulb, and insert it in the socket.
6. Align the lens cover cutout with the light socket, and gently press the cover into place.

7. Return power to the oven, and reset the clock (pg. 4).





# TROUBLESHOOTING

Before you call for service, review this section to see if you can resolve the issue on your own.

Issue	May Be Caused By	What to Do
Oven will not turn on	Oven not connected to power	Have a licensed electrician connect oven to properly wired outlet
	Power to oven is off	Turn on power at circuit breaker/fuse box; check for tripped breaker/blown fuse.
	Control panel locked	Touch CANCEL/SECURE for 6 sec's to reactivate control panel
	Power outage	Contact power company
Oven will not heat	Incorrect temp setting	Touch CANCEL/SECURE; see directions in Operating the Oven
	Oven set for time-delay cooking	Oven will turn itself on at preset time; touch CANCEL/SECURE to return to normal operation.
	Trying to broil with meat probe connected	Broil settings do not work in this condition; disconnect meat probe.
Foods over or under cook	Incorrect cooking time/temperature	Follow directions in Operating Your Oven
Oven shuts itself off after 12 hours	12-hr timer is on	Turn off 12-hr timer (see pg. 6)
Oven does not self-clean	Oven door is ajar	Check for obstructions; shut door tightly
	Oven set for time-delay cleaning	Oven will start self-cleaning at preset time; touch CANCEL/SECURE to return to normal operation
	Self-clean mode not set properly	Follow directions in Care and Cleaning section
	Meat probe connected	Oven will not start self-clean cycle when meat probe is connected. Disconnect and remove meat probe
Oven door does not open	Oven is set to self-clean	If lock symbol appears on display, oven door cannot be opened; wait for self-cleaning to end, or touch CANCEL/SECURE; door unlocks once oven is cool
Oven lights do not work	Oven in self-clean mode	Lights do not work in self-clean mode (see pg. 12)
	Oven in Sabbath mode	Lights do not work in Sabbath mode (see pg. 10)
	Light bulbs burnt out	Replace light bulbs.
Oven lights will not turn off	Light key is set to on	Touch light key to turn lights off.
Sabbath mode does not work	Meat probe connected	Sabbath mode cannot start if probe is connected; disconnect and remove meat probe
Oven enters Hold mode too quickly after meat probe is connected	Meat probe connector is still wet after cleaning	Dry metal portion of the plug that connects to the oven using a soft dry rag
Cooling fan runs after oven is turned off	Normal operation	Cooling fan runs after oven is turned off to cool internal parts
Time on display not correct	Time of day not set	Set time (see pg 4)
	Power failure or power was turned off	Reset time (see pg 4)
Cannot set clock	Oven is in use	Turn off oven, then set clock
Time flashes on display	Power failure or power was turned off	Reset time (see pg 4)
Control panel does not beep when touching keys and when timer hits zero	Control panel beep function is turned off	Turn on control panel beep (see pg 4)
Error code (letter followed by two numbers: ex. U55) stays on display	Oven controller has detected a malfunction	Error code C33 may be caused by open oven door during cooking/broiling; let oven cool and C33 error to reset; do not leave door open for long periods during while broiling; some error codes indicate issue unresolvable by customer; call for service

# WARRANTY & SERVICE

## Getting Help

Before you request service:

1. Review the Troubleshooting section of this manual (page 18).
2. Use the helpful tips found in our Problem Solution Guide.
3. Become familiar with the warranty terms/conditions of your oven.
4. If none of these tips or suggestions resolves your problem, call our Customer Assurance center at the number below.

### Dacor Customer Assurance

Hours: 5:00 a.m. – 5:00 p.m. Pacific Time

Phone: 833-35- ELITE (833-353-5483) USA, Canada)

Website: [www.dacor.com/customer-care/contact-us](http://www.dacor.com/customer-care/contact-us)

## Warranty

### What Is Covered

CERTIFICATE OF WARRANTIES: DACOR OVENS

WITHIN THE 50 STATES OF THE U.S.A., THE DISTRICT OF COLUMBIA, AND CANADA:

#### FULL 1-YEAR WARRANTY

The warranty applies only to the Dacor appliance sold to the first use purchaser, starting from the date of original retail purchase or closing date for new construction, whichever period is longer. Warranty is valid on products purchased brand new from a Dacor Authorized Dealer, or other seller authorized by Dacor.

If your Dacor product fails to function within one year of the original date of purchase, due to a defect in material or workmanship, Dacor will remedy it without charge to you.

All cosmetic damage (such as scratches on stainless steel, paint/ porcelain blemishes, etc.) to the product or included accessories must be reported to Dacor within 60 days of the original purchase date to qualify for warranty coverage. Consumable parts such as filters and light bulbs are not covered and are the responsibility of the purchaser.

#### LIMITATIONS OF COVERAGE

Service will be provided by a Dacor designated service company during regular business hours. Please note service providers are independent entities and are not agents of Dacor.

Dealer display and model home display products with a production date greater than 5 years, products sold "As Is," and products installed for non-residential use, which include but are not limited to religious organizations, fire stations, bed & breakfast, and spas carry a one year parts warranty only. All delivery, installation, labor costs, and other service fees are the responsibility of the purchaser.

Warranty will be null and void on product that has altered, defaced, or missing serial numbers and tags or if non-ETL or non-CUL approved product is transported from the U.S.A.

The owner must provide proof of purchase or closing statement for new construction upon request. All Dacor products must be accessible for service.

OUTSIDE THE 50 STATES OF THE U.S.A., THE DISTRICT OF COLUMBIA, AND CANADA:

### LIMITED FIRST-YEAR WARRANTY

If your Dacor product fails to function within one year of the original date of purchase due to a defect in material or workmanship, Dacor will furnish a new part, F.O.B. factory to replace the defective part.

All delivery, installation, labor costs and other service fees are the responsibility of the purchaser.

### What Is Not Covered

- Slight color variations may be noticed because of differences in painted parts, kitchen lighting, product placement and other factors; this warranty does not apply to color variation.
- Service calls to educate the customer on proper use and care of the product.
- Service fees for travel to islands and remote areas, including but not limited to, ferries, toll roads or other travel expenses.
- Consequential/incidental damage, including but not limited to food or medicine loss, time away from work, restaurant meals.
- Failure of the product if used for commercial, business, rental or any application other than for residential consumer use.
- Failure of the product caused by improper product installation.
- Replacement of house fuses, fuse boxes or resetting of circuit breakers.
- Damage to the product caused by accident, fire, flood, power interruption, power surges or other acts of God.
- Liability or responsibility for damage to surrounding property including cabinetry, floors, ceilings and other structures or objects around the product.
- Breakage, discoloration, or damage to glass, metal surfaces, plastic components, trim, paint or other cosmetic finish caused by improper usage, care, abuse or neglect.

### Out of Warranty

Should you experience a service issue beyond the standard warranty period, please contact us. Dacor reviews each issue and customer concern to provide the best possible solution based on the circumstances.

~~THE REMEDIES PROVIDED IN THE ABOVE EXPRESS WARRANTIES ARE THE SOLE AND EXCLUSIVE REMEDIES. THEREFORE, NO OTHER EXPRESS WARRANTIES ARE MADE, AND OUTSIDE THE FIFTY STATES OF THE UNITED STATES, THE DISTRICT OF COLUMBIA AND CANADA, ALL IMPLIED WARRANTIES, INCLUDING BUT NOT LIMITED TO, ANY IMPLIED WARRANTY OF MERCHANTABILITY OR FITNESS FOR A PARTICULAR USE OR PURPOSE, ARE LIMITED IN DURATION TO ONE YEAR FROM THE DATE OF ORIGINAL PURCHASE. IN NO EVENT SHALL DACOR BE LIABLE FOR INCIDENTAL EXPENSE OR CONSEQUENTIAL DAMAGES. IN THE EVENT DACOR PREVAILS IN ANY LAWSUIT, DACOR SHALL BE ENTITLED TO REIMBURSEMENT OF ALL COSTS AND EXPENSES, INCLUDING ATTORNEY'S FEES, FROM THE DACOR CUSTOMER. NO WARRANTIES, EXPRESS OR IMPLIED, ARE MADE TO ANY BUYER FOR RESALE.~~

Some states do not allow limitations on how long an implied warranty lasts, or do not allow the exclusion or limitation of inconsequential damages, therefore the above limitations or exclusions may not apply to you. This warranty gives you specific legal rights, and you may also have other rights that vary from state to state.



# Manuel d'utilisation

## Four mural Heritage®

Models: HW0127, HW0130, HW0227, HW0230



### Table des matières

Importantes instructions de sécurité .....	19
Caractéristiques .....	20
Utilisation.....	23
Entretien et nettoyage .....	31
Dépannage .....	35
Garantie et service.....	36

# AVANT QUE TU COMMENCES

**INSTALLATEUR:** LAISSEZ CES INSTRUCTIONS AVEC LE FOUR.

**CUSTOMER:** LIRE CE MANUEL COMPLÈTEMENT AVANT D'UTILISER LE FOUR.  
CONSERVER LE MANUEL DE RÉFÉRENCE PERSONNELLE ET PROFESSIONNELLE.

Pour plus de renseignements sur le service et la garantie, voir page 38.

Si vous avez des questions, appelez :

Équipe de service à la clientèle Dacor

Téléphone : 833-353-5483 (É.-U. et Canada)

Du lundi au vendredi, de 5 h à 17 h, heure du Pacifique

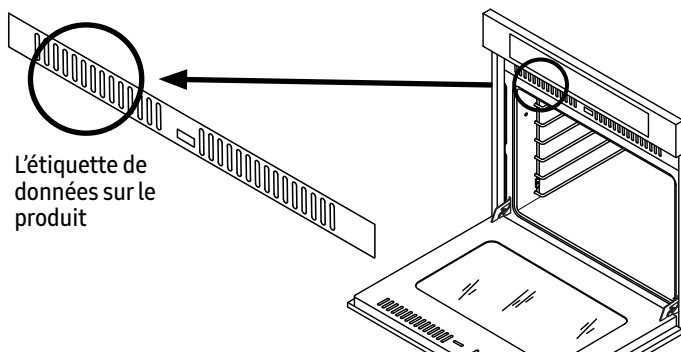
Site web : [www.dacor.com/customer-care/contact-us](http://www.dacor.com/customer-care/contact-us)

Lors de la prise de contact, vous devrez communiquer le nom du modèle et le numéro de série de l'appareil. Notez ces numéros sur cette page pour les avoir sous la main. Le modèle et le numéro de série sont imprimés sur l'étiquette de données sur le produit. On peut le voir à travers le gril situé sous le tableau de commande. Ouvrir la porte pour exposer le gril. Sur les fours doubles, l'étiquette est située derrière le gril du haut.

Numéro de modèle \_\_\_\_\_

Numéro de série \_\_\_\_\_

Date d'achat \_\_\_\_\_



Dans notre effort continu d'améliorer la qualité et la performance de nos produits, il peut être nécessaire d'apporter des modifications à l'appareil sans révision de ce guide.

Se rendre au site [www.dacor.com](http://www.dacor.com) pour télécharger la dernière version du présent manuel.

## AVERTISSEMENTS—Proposition 65 de l'État de Californie

- Ce produit contient au moins un produit chimique connu par l'État de Californie pour être à l'origine de cancers.
- Ce produit contient au moins un produit chimique connu par l'État de Californie pour être à l'origine de malformations et autres déficiences de naissance.

## Ce qui vous devez savoir instructions de sécurité

Instructions de sûreté d'avertissement et importantes apparaître en ce livre ne sont pas censés couvrir toutes les conditions possibles et situations qui peuvent se produire. Le bon sens, l'attention et le soin doivent être employés en installant, en maintenant ou en actionnant un appareil.

Entrez en contact avec toujours le fabricant au sujet des problèmes ou des conditions que vous ne comprenez pas.

## Symboles de sûreté, mots et étiquettes

### **DANGER**

Risques immédiats qui RÉSULTERONT en de graves blessures ou même la mort.

### **ADVERTISSEMENT**

Risques ou pratiques non sûres, qui POURRAIENT résulter en de graves blessures ou même la mort.

### **MISE EN GARDE**

Risques ou pratiques non sûres qui POURRAIENT résulter en des blessures mineures ou dégâts matériels.

### **DANGER**

N'entreposez et n'utilisez pas d'essence ou autres vapeurs et liquides inflammables à proximité de cet appareil ou de tout autre appareil électroménager. Garder les articles qui pourraient exploser, comme les générateurs d'aérosol, éloignés des appareils ménagers. Ne pas entreposer de produits inflammables ou explosifs dans des armoires ou zones attenantes (ou au-dessus et au-dessous).

### **ADVERTISSEMENT**

NE JAMAIS utiliser cet appareil comme dispositif de chauffage de la pièce. Le non-respect de cette instruction peut entraîner une surchauffe de l'appareil.

### **ADVERTISSEMENT**

NE JAMAIS couvrir les fentes, les trous, les grilles ou les passages sur l'appareil ménager. Ne pas revêtir le four de papier d'aluminium ou d'un autre matériel. Le faire empêche l'air de circuler dans le châssis et peut causer un incendie.

## LIRE ET CONSERVER CES DIRECTIVES

# IMPORTANTES INSTRUCTIONS DE SÉCURITÉ

## Mesures de sécurité générales

Pour réduire le risque d'incendie, de choc électrique, de blessures ou de dommages lors de l'utilisation de cet appareil, il convient d'observer certaines précautions élémentaires dont les suivantes:

### **AVERTISSEMENT**

- Si le produit reçu est endommagé, contactez immédiatement votre revendeur ou votre constructeur. Ne pas installer ou utiliser un appareil ménager endommagé.
- Assurez-vous que votre appareil est bien installé et mis à la terre par un installateur qualifié, conformément aux directives d'installation fournies. L'installateur doit montrer au client l'emplacement du tableau disjoncteurs ou du coffret de fusibles afin qu'il sache où il se trouve et comment couper l'alimentation vers l'appareil.
- Ne pas réparer ni remplacer toute pièce du four si ce n'est pas spécifiquement recommandé dans les instructions. Toute autre opération d'entretien ou de réparation doit être confiée à un technicien qualifié.
- Avant de réparer l'appareil, coupez le courant au tableau de distribution et bloquez le disjoncteur pour éviter que le courant ne soit accidentellement rétabli.
- N'utilisez cet appareil que pour l'usage auquel il est destiné, comme expliqué dans le présent manuel. Cet appareil ménager n'est pas destiné à l'utilisation commerciale ou de laboratoire.
- **NE PAS TOUCHER LES SURFACES CHAUDES DE L'APPAREIL MÉNAGER OU LES ZONES AVOISINANTES PENDANT OU IMMÉDIATEMENT APRÈS L'UTILISATION.**
- Ne jamais laisser qui que ce soit, y compris les enfants, s'asseoir, se tenir debout ou grimper sur un appareil, qui pourrait entraîner le basculement, des dommages, des blessures graves ou la mort.
- Ne pas laisser les enfants ou les animaux domestiques seuls ou sans surveillance dans la zone autour de l'appareil ménager. Ne pas laisser les enfants jouer avec les commandes ou toucher d'autres parties de l'appareil ménager.
- Ne pas entreposer des articles intéressants pour les enfants sur l'appareil ou au-dessus de ce dernier. Les enfants pourraient se brûler ou se blesser s'ils grimpent sur l'appareil.
- Ne pas endommager les commandes.
- Afin de prévenir les blessures attribuables au basculement vers l'avant de l'appareil, fixer l'appareil à l'armoire à l'aide des vis de montage fournies.
- Ne pas chauffer des contenants d'aliments non ouverts, des pots de verre fermés ou des oeufs entiers. Ils peuvent exploser et causer des blessures.
- Ne pas utiliser d'eau pour éteindre un feu de graisse. Il peut y avoir une violente explosion de vapeur. Éteuffer le feu ou les flammes ou utiliser des extincteurs polyvalents à produits chimiques secs ou un extincteur à mousse. Il faut éviter de se brûler.
- Garder les articles inflammables, comme le papier, le carton, le plastique et l'étoffe éloignés des surfaces chaudes. Ne pas placer produits inflammables à l'intérieur du four. Ne pas laisser les poignées toucher les surfaces chaudes.

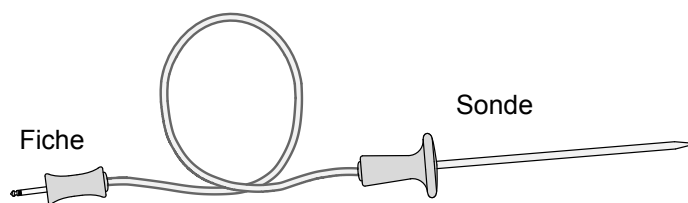
### **AVERTISSEMENT**

- S'assurer que cet appareil ménager est uniquement utilisé par les personnes qui peuvent s'en servir correctement.
- Ne pas porter de vêtements amples ou libres pendant l'utilisation de cet appareil ménager. Ne pas laisser les vêtements, les poignées, les serviettes ou les chiffons entrer en contact avec les surfaces chaudes immédiatement après l'utilisation.
- Ne pas utiliser de serviettes ou de chiffons encombrants comme poignée.
- Ne pas utiliser le four pour l'entreposage.
- Nettoyer et entretenir correctement l'appareil ménager régulièrement en suivant les instructions figurant au mode d'emploi. Nettoyer souvent toutes les surfaces couvertes de graisse afin de prévenir les incendies provoqués par les graisses et maintenir le rendement.
- Ne pas toucher les surfaces extérieures de l'appareil ménager pendant le cycle d'autonettoyage. Elles seront chaudes.
- Utiliser seulement une batterie de cuisine pour l'utilisation prévue. Vérifier les recommandations du fabricant avant d'utiliser l'ustensile pour déterminer s'il peut être utilisé dans une four. Certains types de verre, de céramique et de terre cuite ne conviennent pas aux fours. L'utilisation inappropriée de la batterie de cuisine peut causer des blessures ou des dommages.
- Exercer une grande prudence lors de l'ouverture de la porte. Laisser l'air chaud ou la vapeur s'échapper avant de regarder à l'intérieur.
- Il faut être très prudent si on ajoute de l'eau aux aliments chauds. La vapeur peut causer des brûlures graves.
- Utiliser seulement des mitaines sèches de four – Des mitaines de four mouillées ou humides sur des surfaces chaudes peuvent provoquer des brûlures provenant de la vapeur.
- Pour des raisons de sécurité et pour un bon rendement du four, ne pas utiliser le four pour la cuisson sans le filtre à convection installé. Lorsque le filtre n'est pas installé, les pales de ventilateur en rotation à l'arrière du four sont exposées.
- Ne pas laisser les aliments reposer pendant plus d'une heure avant ou après la cuisson. La consommation d'aliments avariés peut causer l'intoxication alimentaire.
- Ne pas laisser d'objets, comme du papier d'aluminium, la sonde thermique ou des plaques à biscuits au bas du four. Ne pas couvrir les éléments de grillage sur le plafond de la chambre de cuisson. Ne pas revêtir le four de papier d'aluminium ou d'un autre matériel. Cela pourrait causer la surchauffe du four ou des articles laissés à l'intérieur, ce qui crée un risque d'incendie ou cause des dommages.
- Les revêtements antiadhésifs, lorsqu'ils sont chauffés, peuvent nuire aux oiseaux. Déplacer les oiseaux à une salle séparée bien ventilée.

# CARACTÉRISTIQUES

## Les pièces du four

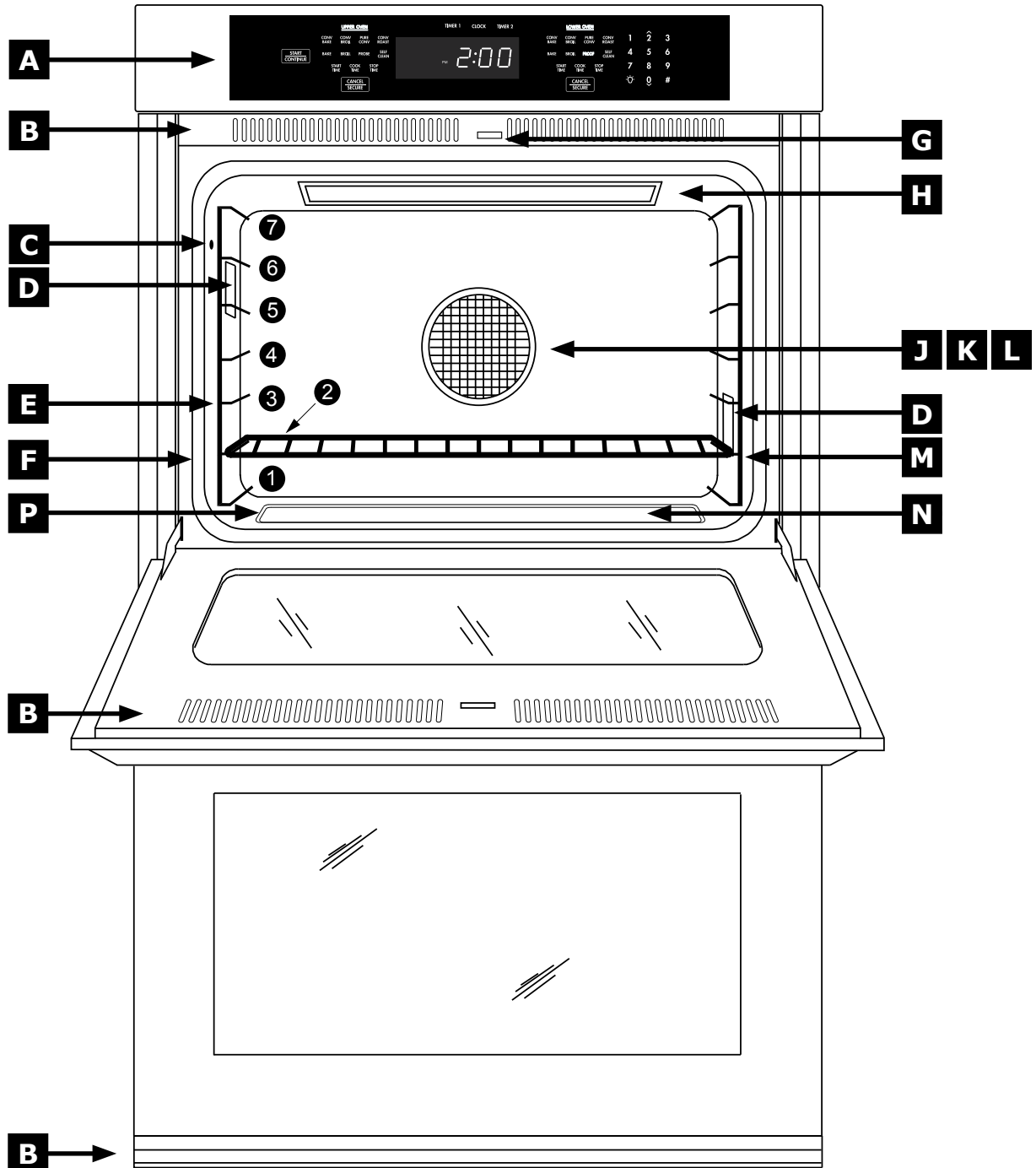
<b>A</b>	<b>Tableau de commande</b>	Le tableau de commande du four se compose de touches et d'un affichage. Utiliser le tableau de commande pour commander les fonctions du four (parfois appelées modes).
<b>B</b>	<b>Évent du four</b>	Le four aspire de l'air par des fentes d'admission pour refroidir ses pièces internes. L'air sort par la fente d'échappement au fond du four. Ne pas obstruer ou couvrir les fentes d'admission d'air ou d'échappement.
<b>C</b>	<b>Prise du sonde thermique</b>	Pendant l'utilisation de la sonde thermique, insérer l'aiguille dans la viande et brancher l'autre bout dans ce raccord. Voir la section Utilisation de la sonde thermique à la page 28 pour un fonctionnement convenable. Sur les fours doubles, seul le four supérieur est muni d'un raccord de sonde thermique.
<b>D</b>	<b>Lampes du four</b>	Des lumières se trouvent à l'intérieur de la chambre de cuisson afin de voir facilement les aliments à l'intérieur. Appuyer sur la touche de la lumière sur le tableau de commande pour les allumer. Les lumières utilisent des ampoules à halogène de 12 V, 20 Watt.
<b>E</b>	<b>Supports des grilles</b>	Chaque chambre de cuisson compte sept ensembles de supports de grille. Ils appuient les grilles du four ajustables. Les grilles sont numérotées, du bas au haut.
<b>F</b>	<b>Joint de porte</b>	Le joint d'étanchéité de la porte empêche la chaleur de s'échapper lorsque la porte est fermée.
<b>G</b>	<b>Loquet autonettoyage</b>	Le loquet d'autonettoyage verrouille automatiquement la porte du four pendant le cycle d'autonettoyage. La porte se verrouille pour des raisons de sécurité. Pendant le cycle d'autonettoyage, les températures sont très élevées à l'intérieur du four.
<b>H</b>	<b>Éléments des grillage</b>	L'élément des grillage se trouve au plafond de la chambre de cuisson. Il est caché derrière un panneau de verre. Il s'agit de la source de chaleur supérieure.
<b>J</b>	<b>Ventilateur de convection</b>	Situé derrière le filtre de convection, le ventilateur de convection souffle de l'air chauffé dans la chambre de cuisson pendant le processus de cuisson par convection.
<b>K</b>	<b>Élément de convection</b>	Situé derrière le filtre de convection, l'élément à convection réchauffe l'air soufflé dans la chambre de cuisson par le ventilateur de convection pendant le processus de cuisson par convection.
<b>L</b>	<b>Filtre de convection</b>	Le filtre de convection couvre le ventilateur de convection. Il aide à prévenir le transfert d'une saveur d'un aliment à un autre pendant la cuisson d'un repas complet. Le filtre garde également le four plus propre et couvre les pales de ventilateur en rotation pour des raisons de sécurité.
<b>M</b>	<b>Grille du four</b>	Le four est vendu avec ensemble de grilles GlideRack <sup>MC</sup> et une grille standard pour chaque chambre de cuisson. Le nombre total de grilles dépend du modèle.
<b>N</b>	<b>Élément de cuisson</b>	Les éléments de cuisson sont cachés sous le plancher de la chambre de cuisson. Ils constituent la source de chaleur inférieure.
<b>P</b>	<b>Fond de four renforcé</b>	Le fond renforcé du four est conçu de façon à permettre un nettoyage à vapeur en 30 minutes. Voir page 32.



**Sonde thermique**



# CARACTÉRISTIQUES



# CARACTÉRISTIQUES

## Tableau de commande

<b>A</b>	<b>Touche START (démarrage)</b>	Pour utiliser les diverses fonctions (ou modes) du four, sélectionner premièrement le mode de cuisson. Appuyer ensuite sur la touche START (démarrage). De plus, utiliser la touche START pour démarrer les minuteries.
<b>B</b>	<b>Touches de modes de cuisson</b>	Sélectionner le type de cuisson désiré en appuyant sur une des touches de modes de cuisson. Comprend également les touches Self-clean (autonettoyage) et PROBE (sonde), et sur les fours doubles, la touche PROOF (apprêt). Les fours doubles ont deux claviers de modes de cuisson, un pour le four supérieur et un pour le four inférieur.
<b>C</b>	<b>Touche CANCEL · SECURE (annuler/sécuriser)</b>	Utiliser cette touche pour éteindre le four. Cette touche règle toutes les températures à zéro et éteint toutes les fonctions (sauf la minuterie) actuellement en usage. Elle active également la fonction verrouillage. Sur les fours doubles, il y a une touche CANCEL · SECURE (annuler/sécuriser) pour chaque four.
<b>D</b>	<b>Affichage</b>	L'affichage du tableau de commande fournit divers types d'information concernant le four, dont l'heure actuelle (après le réglage de l'horloge), les réglages de cuisson actuels et les températures de cuisson.
<b>E</b>	<b>Touches numérique</b>	Pour fixer la température, le temps de cuisson ou l'heure, utiliser les touches numérique.
<b>F</b>	<b>Touches de cuisson au démarrage différé</b>	Utiliser ces touches régler le four pour qu'il se mette en marche ou s'arrête automatiquement plus tard. Sur les fours doubles, il y a un ensemble de touches de cuisson au démarrage différé pour chaque four. Voir page 28.
<b>G</b>	<b>Touches TIMER (minuterie)</b>	Utiliser les touches TIMER 1 (minuterie 1) et TIMER 2 (minuterie 2) pour chronométrer une action. Les deux minuteries fonctionnent séparément l'une de l'autre. On peut utiliser les minuteries même si on n'utilise pas le four. Elles n'allument pas le four et elles ne l'éteignent pas. Voir page 27.
<b>H</b>	<b>Touche CLOCK (horloge)</b>	Utiliser cette touche pour régler l'heure. Voir page 23.
<b>J</b>	<b>Touche lampe</b>	Situé sur les touches numérique. S'il faut allumer ou éteindre la lumière du four, appuyer sur la touche de la lampe.
<b>K</b>	<b>(#) Touche sabbat</b>	Utiliser cette touche pour démarrer le mode sabbat. Voir page 30.

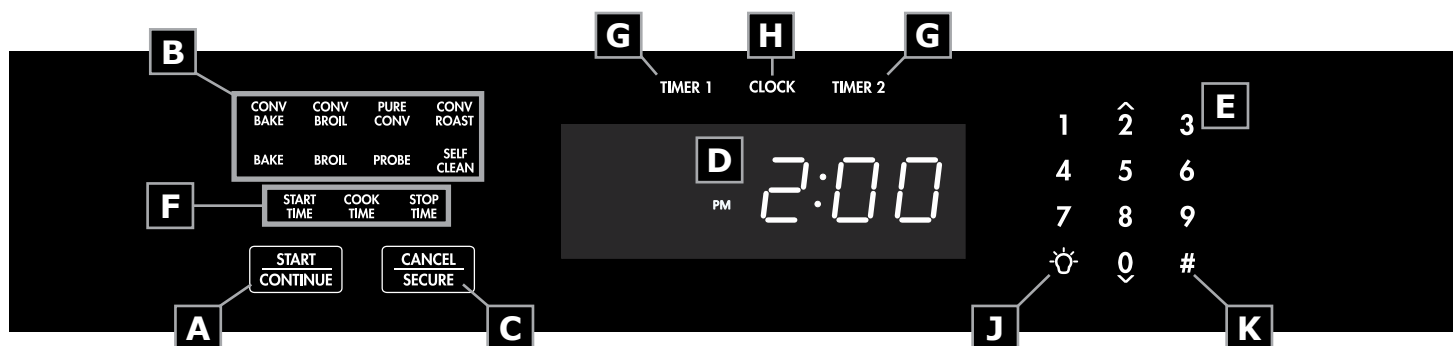


Tableau de commande - Four simple

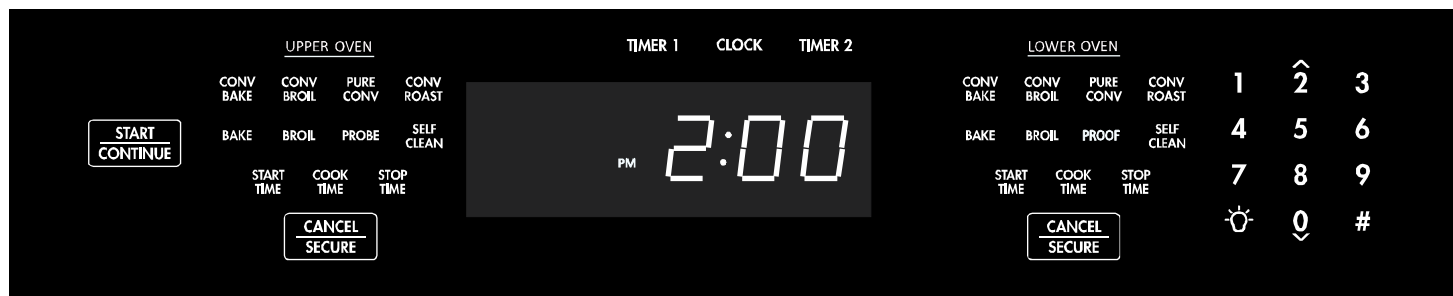


Tableau de commande - Four double

# UTILISATION

## Réglages du tableau de commande

### Réglage de l'horloge

1. Appuyer sur la touche CLOCK (horloge). Les deux points entre les minutes et les secondes sur l'affichage commenceront à clignoter.
2. Entrer l'heure actuelle sur les touches numérique avant que les deux points arrêtent de clignoter. Par exemple : pour 12 h 08, appuyer sur 1-2-0-8 sur les touches numériques. Appuyer sur la touche # change le témoin AM-PM.
3. Appuyer sur START (démarrer).



### IMPORTANT

- L'horloge ne peut pas être réglée pendant la cuisson au démarrage différé, si une des minuteries est en cours d'utilisation, si le four est en mode d'autonettoyage ou si le mode sabbat est actif.
- Après une panne de courant, l'heure sur l'affichage peut clignoter, indiquant que l'heure peut ne pas être correcte.
- Après avoir appuyé sur la touche de l'horloge, il faut entrer l'heure et appuyer sur START (démarrer) juste après. S'il s'écoule plus de six secondes entre les touches, l'affichage retournera au réglage initial.

### Horloge de 12/24 heures (temps militaire)

Le four est réglé pour l'horloge de 12 heures (non-militaire) à l'usine. Le temps de 24 heures est également connu sous le nom de temps militaire. 1:36 PM = 13 h 36 en temps militaire.

Si on souhaite changer l'horloge à un temps de 24 heures ou passer du temps militaire à l'heure ordinaire:

1. Appuyer et tenir la touche CLOCK (horloge) pendant six secondes. L'affichage indiquera le mode de l'horloge, 12 Hr ou 24 Hr.
2. Appuyer sur la touche # pour changer le mode de l'horloge. Pour laisser le réglage, n'appuyer sur aucune touche.
3. Appuyer sur la touche CANCEL · SECURE (annuler/ sécuriser) pour retourner à l'affichage principal. Si l'horloge est réglée au temps de 24 heures, on peut entrer le temps militaire sur les touches numériques pendant le réglage de l'horloge.

### Réglage de l'échelle de température

On peut sélectionner l'échelle de température (échelle Fahrenheit ou Celsius) qu'utilise le four pour afficher la température de cuisson. Le four est pré-réglé à l'usine à l'échelle Fahrenheit. Pour changer l'échelle de température:

1. Appuyer et tenir la touche BROIL (sous touche UPPER OVEN sur les fours doubles) pendant six secondes.
2. L'affichage indiquera l'échelle de température utilisée par le tableau de commande, "F" ou "C".
3. Appuyer sur la touche # pour changer l'échelle de température. Pour laisser le réglage, n'appuyer sur aucune touche.

4. Appuyer sur la touche CANCEL · SECURE (annuler/ sécuriser). Le tableau de commande retournera à l'affichage initial de l'horloge, régler à la nouvelle échelle de température.

### Mettre en marche/arrêter le timbre du tableau de commande

Le tableau de commande émet un timbre chaque fois qu'on appuie une touche ou lorsque diverses conditions d'erreur existent. Il émet également un timbre lorsqu'une minuterie a terminé son compte à rebours ou lorsque le four effectue certaines fonctions pré-réglées, par exemple le préchauffage est terminé. On peut étouffer la sonorité pour qu'elle ne fonctionne pas sous les conditions ci-dessus.

Pour étouffer le timbre du tableau de commande (ou le commencer) :

1. Appuyer et tenir la touche START TIME (heure de démarrage) pendant six secondes, jusqu'à ce que "beep" (timbre) apparaisse sur l'affichage.
2. Appuyer à plusieurs reprises sur la touche # pour passer entre "On" et "Off".
3. Appuyer sur CANCEL · SECURE (annuler/ sécuriser) lorsque le mode désiré apparaît sur l'affichage.

Pour retourner le tableau de commande au mode précédent, répéter les étapes susmentionnées.

### Avant la cuisson

- Dacor recommande d'allumer le four à 500°F (260°C) pendant une heure afin de brûler les huiles résiduelles utilisées pendant le processus de fabrication. Les huiles laissées sur les pièces internes peuvent causer une odeur indésirable les premières fois qu'on utilise le four.
- Préchauffage : Lorsqu'on utilise le four pour la cuisson ou pour rôtir, il se préchauffe automatiquement. Le cycle de préchauffage réchauffe rapidement la chambre de cuisson à la bonne température pour la cuisson. Le préchauffage du four peut nécessiter plusieurs minutes. La durée du préchauffage dépend du réglage de température. La durée peut être plus longue selon le type d'alimentation de la collectivité. Il n'y a pas de cycle de préchauffage pour les modes de grillage.
- Après l'enlèvement des aliments du four, leur cuisson se poursuivra. Ce processus s'appelle "prolongement." Plus la portion d'aliment est grande, plus elle prendra de temps à cuire. Il est préférable de laisser reposer la viande de 10 à 15 minutes lorsqu'elle sort du four avant de la couper. Procéder ainsi permettra à la viande de garder ses jus et la rendra plus facile à couper.



### MISE EN GARDE

Ne pas laisser les acides (jus d'agrumes, sauces tomates, etc.) sur les surfaces de l'appareil ménager. Les finitions peuvent se tacher ou se troubler.

## Grilles

On peut utiliser l'un ou l'autre des types de grille sur n'importe quel niveau à l'intérieur du four.

### **AVERTISSEMENT**

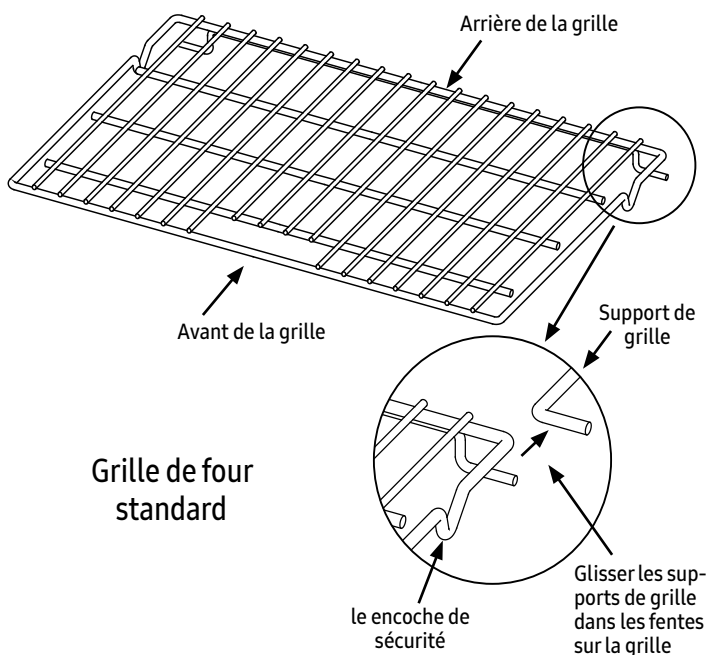
Pour réduire le risque de brûlure, positionner les grilles du four lorsque le four est froid. S'il faut repositionner une grille lorsque le four est chaud, utiliser des mitaines de four.

### Insérer la grille standard du four

1. Insérer d'abord le bout de la grille avec les encoches de sécurité dans le four.
2. Fixer les deux côtés de la grille aux supports de grille dans le four tel qu'illustré dans le schéma ci-dessous.
3. Commencer à glisser la grille, et la lever ensuite afin que les encoches de sécurité franchissent les bouts des supports de grille.
4. Pousser la grille complètement dans le four avec les deux mains.

### Retrait de la grille standard du four

- Pour retirer une grille de four standard, la saisir des deux mains et la tirer soigneusement directement vers l'extérieur jusqu'à ce qu'elle s'arrête.
- Pour retirer complètement la grille, lever le devant de la grille d'environ six pouces et continuer de la tirer. Le fait de lever la grille libère les encoches de sécurité. Les encoches de sécurité empêchent la grille de sortir du four accidentellement.



### Insérer la grille du four Gliderack

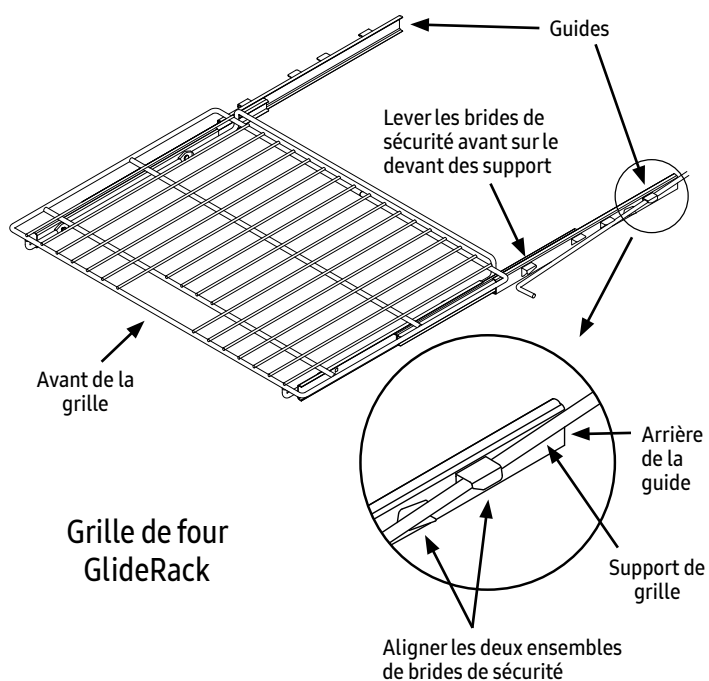
Le four est muni une grille de four GlideRack de Dacor. On peut sortir davantage la grille de four GlideRack que une grille de four standard et les grilles supportent toujours des marmites et des poêles lourdes remplies de nourriture.

1. Tenir la grille de four GlideRack avec les guides entièrement allongés à l'écart (voir le schéma ci-dessous).
2. Aligner les deux ensembles de brides de sécurité (droite et gauche) à l'arrière des guides avec les supports de grille du four tel qu'illustré.
3. Commencer à insérer la grille en la glissant. Lever les brides de sécurité avant sur le devant des supports de grille du four.
4. Pousser la grille jusqu'à l'arrière.
5. Saisir la grille dans le centre à l'avant et tirer. La grille devrait s'avancer alors que les guides demeurent en place.

**IMPORTANT:** Ne pas placer plus de 25 livres sur la grille du four GlideRack lorsqu'il est dans le plus bas position.

### Retrait de la grille du four Gliderack

- Saisir la grille des deux mains et tirer soigneusement directement vers l'extérieur jusqu'à ce qu'elle s'arrête.
- Pour retirer complètement la grille, lever le devant de la grille d'environ six pouces et continuer de la tirer. Le fait de lever la grille libère les agrafes de sécurité. Les agrafes de sécurité empêchent la grille de sortir du four accidentellement.


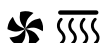


# UTILISATION

## Démarrage du four

1. Régler les grilles au niveau approprié.
2. Déterminer le meilleur mode de cuisson pour le type d'aliment à cuire.

### Sélectionner à partir des modes suivants

- **CONV BAKE** (Cuisson au four par convection): Une combinaison du ventilateur à convection et d'une source de chaleur inférieure. Cuisson idéale pour les articles sur une seule grille dans une plaque creuse. 
- **CONV BROIL** (Grillage par convection): Une combinaison du ventilateur à convection et d'une source de chaleur supérieure. Cuisson idéale pour les aliments qui n'ont pas besoin d'être tournés, comme les coupes de viande plus minces, le poisson et le pain à l'ail. 
- **PURE CONV** (Convection Pure<sup>MC</sup>): Se sert de la cuisson à convection uniquement pour une chaleur uniforme. Utiliser ce mode pour les produits de boulangerie-pâtisserie et pour la cuisson à plusieurs grilles. 
- **CONV ROAST** (Rôtissage par convection): Combine les sources de chaleur supérieures et inférieures au ventilateur de convection. Cuisson idéale pour les rosbifs de côte, les dindes, les poulets, etc. 
- **BAKE** (Cuisson au four): Cuisson avec une source de chaleur inférieure uniquement. Couramment utilisé pour les recettes de base. 
- **BROIL** (Grillage): Cuisson avec une source de chaleur supérieure uniquement. À utiliser pour griller les plus petites coupes de viande ou pour griller du pain. 



### IMPORTANT

Les modes de grillage ne fonctionneront pas lorsque la sonde thermique est branchée.

Voir page 26 pour des descriptions détaillées des divers modes de cuisson.

1. Appuyer sur la touche du mode de cuisson désiré. La température pré-réglée apparaîtra sur l'affichage de même que les symboles du mode de cuisson sélectionné (voir cidessus). Sur les fours doubles, sélectionner le four désiré en appuyant sur la touche du mode de cuisson sous UPPER OVEN (four supérieur) ou LOWER OVEN (four inférieur) sur le tableau de commande.
2. Pour la cuisson à la température pré-réglée, appuyer sur START (démarrer). Pour la cuisson à une différente température, entrer la température sur les touches numérique (par exemple 4-2-5), appuyer ensuite sur START. On peut entrer une température entre 100°F (38°C) et 555°F (291°C). La température de grillage suggérée est de 555°F. Les fours doubles ont seulement une touche START, sur le côté gauche du tableau de commande. Elle est utilisée pour démarrer les deux fours.
3. Si on utilise le mode convection pure ou un des modes de cuisson ou de rôtissage, "PRE-" pour le préchauffage, ainsi que la température actuelle du four, apparaîtra sur l'affichage jusqu'à ce que le four atteigne la température fixée. Une fois que le four atteint la température fixée (habituellement de 15 à 20 minutes), il émettra un timbre et "PRE-" disparaîtra. Placer soigneusement les aliments dans le four. Un brunissement excessif se produira si on place les aliments dans le four pendant préchauffage.

## Arrêt du four

Pour arrêter le four, appuyer sur la touche CANCEL · SECURE (annuler/sécuriser). Sur les fours doubles, appuyer sur la touche CANCEL · SECURE sous UPPER OVEN ou LOWER OVEN.



### REMARQUE

Après l'arrêt du four, les ventilateurs peuvent continuer de fonctionner jusqu'à ce que les pièces internes du four se soient refroidies.

## Changement de la température

Pour changer à une autre température pendant que le four est en marche:

1. Appuyer sur la touche du mode de cuisson actuel. Le mode de cuisson actuel apparaît sur l'affichage, par exemple BAKE (cuisson au four).
2. Entrer la température sur les touches numérique (par exemple 3-7-5) et appuyer sur START (démarrer).



### IMPORTANT

Si on augmente la température d'au moins 50°F (28°C), le four passera au mode de préchauffage pour augmenter la température rapidement au nouveau réglage. "PRE-" apparaîtra sur l'affichage. Afin de prévenir le brunissement excessif, Dacor recommande d'enlever les aliments du four lorsque "PRE-" apparaît sur l'affichage.

## Changement du mode de cuisson du four

Pour changer à un différent mode de cuisson pendant que le four est en marche :

1. Appuyer sur la touche du nouveau mode de cuisson, par exemple BAKE (cuisson du four).
2. Appuyer sur START (démarrer).

## Réglages de température pré-réglés

Le four compte un réglage de température pré-réglé pour chaque mode de cuisson afin de réduire la nécessité de toujours entrer la température. Voir le tableau ci-dessous. Voir la section Démarrage du four pour des directions sur la cuisson à la température pré-réglée.

Mode de cuisson	Température pré-réglée
Cuisson au four par convection	325°F (163°C)
Grillage par convection	555°F (291°C)
Convection Pure	325°F (163°C)
Rôtissage par convection	375°F (191°C)
Cuisson au four	350°F (177°C)
Grillage	555°F (291°C)

# UTILISATION

## Fonction de verrouillage

Pour désactiver les touches du tableau de commande lorsque le four n'est pas utilisé:

- Pousser et tenir la touche CANCEL · SECURE (annuler/ sécuriser) pendant environ six secondes. Les touches du tableau de commande arrêteront de fonctionner et "OFF" (arrêt) apparaîtra sur l'affichage. Seules les touches CANCEL · SECURE (annuler/ sécuriser) et des lumières fonctionneront. Sur les fours doubles, le fait d'appuyer sur l'une ou l'autre des touches CANCEL · SECURE verrouille tableau de commande des deux fours.
- Pour réactiver le tableau de commande, appuyer et tenir la touche CANCEL · SECURE pendant six secondes.



### REMARQUE

Le fait d'utiliser la fonction de verrouillage arrête les minuteriers si elles sont en marche.

## Fonction de minuterie de 12 heures

Le four est muni d'une fonction qui l'arrête automatiquement après 12 heures d'utilisation continue. La minuterie de 12 heures est réinitialisée lorsqu'on change la température de cuisson ou le mode de cuisson.

La fonction activée dès que l'appareil ménager est fabriqué.



### REMARQUE

La minuterie de 12 heures est désactivée lorsque la fonction sabbat est utilisée.

## Pour désactiver ou activer la minuterie de 12 heures

- Tout en arrêtant le four, appuyer et tenir la touche TIMER 1 pendant environ dix secondes, jusqu'à ce que le panneau de commande émette un timbre et que "12Hr" apparaisse sur l'affichage. "ON" (en marche) apparaîtra sur l'affichage si la minuterie de 12 heures est activée.
- Appuyer sur la touche # pour désactiver (ou activer) la minuterie de 12 heures
- Appuyer sur la touche CANCEL · SECURE (annuler/ sécuriser) pour sauvegarder les changements et retourner à l'horloge.

## Comprendre les divers modes du four

### Les trois styles de cuisson de base d'un four sont

**Cuisson au four** - La cuisson douce des aliments secs comme les biscuits, les gâteaux, les soufflés, etc.

**Rôtissage** - La cuisson des viandes ou des légumes pendant un certain temps

**Grillage** - Cuisson avec une chaleur intense pendant une courte durée

### Cuisson au four (BAKE)

Utilise uniquement une source de chaleur sous les aliments. Ce mode est le mode en veille, il n'est pas à convection. Tous les aliments cuiront bien dans ce mode.

## Conseils pour la cuisson

- Suivre le temps et la température de cuisson initiales de la recette.
- Ne pas ouvrir la porte du four fréquemment pendant la cuisson. Dans la mesure du possible, regarder par la fenêtre de la porte du four pour vérifier la cuisson.
- Utiliser les minuteriers pour déterminer le temps de cuisson.
- Utiliser la position de la grille la plus basse.
- Attendre jusqu'au temps de cuisson le plus court avant de vérifier les aliments. Pour la plupart des produits de boulangerie- pâtisserie, le fait qu'un cure-dent en bois placé au centre du plat sort propre est un signe que ce plat est prêt.

## Le four offre trois modes de cuisson par convection

- Convection Pure (PURE CONV)
- Cuisson au four par convection (CONV BAKE)
- Rôtissage par convection (CONV ROAST)

En règle générale, dans les modes de cuisson par convection, la durée est environ 25 % plus courte. Régler la minuterie 15 minutes avant le temps le plus court indiqué et ajouter plus de temps au besoin.

## Pour les modes de convection pure et de cuisson par convection

Certaines recettes, surtout celles qui sont faites maison, peuvent nécessiter des ajustements et des essais pendant la conversion de la cuisson standard à la cuisson par convection. Si on est incertain sur la façon de convertir une recette, commencer par préparer la recette à l'aide des réglages de cuisson standard.

Si les aliments ne sont pas cuits convenablement pendant ce premier essai de la cuisson par convection, rajuster une variable de la recette à la fois (comme le temps de cuisson, la position de la grille ou la température) et répéter l'essai de la cuisson par convection. Au besoin, continuer de rajuster une variable de la recette à la fois jusqu'à l'obtention de résultats satisfaisants.

## Convection Pure (PURE CONV)

La circulation d'air uniforme fournie par la convection pure permet d'utiliser plus de capacité du four à la fois. Utiliser ce mode pour la cuisson sur une seule grille, la cuisson sur plusieurs grilles, le rôtissage, ainsi que la préparation de repas complets. Bon nombre d'aliments, comme la pizza, les gâteaux, les biscuits, les muffins, les pains mollets et les aliments congelés prêts à servir peuvent être préparés sur deux ou trois grilles à la fois. La convection pure convient également au canard entier rôti, à l'épaule d'agneau et au gigot d'agneau court.

## Pour la cuisson à plusieurs grilles

- Habituellement, pendant la cuisson à deux grilles, utiliser les positions de grille nos 1 et 3, ou 2 et 4 (en comptant à partir du bas).
- Pendant l'adaptation d'une recette à une seule grille à la cuisson à plusieurs grilles, il peut être nécessaire d'ajouter du temps de cuisson en raison du volume supplémentaire d'aliment dans le four.

## Cuisson au four par convection (CONV BAKE)

Utiliser ce mode pour la cuisson à une seule grille. La combinaison du ventilateur de convection et de la source de chaleur inférieure est idéale pour les croustades aux fruits, les flans pâtisseries, les tartes aux fruits à deux croûtes, les quiches, les pains à la levure dans un moule à pain



# UTILISATION

et les popovers. De plus, il est préférable d'utiliser ce mode pour cuire les aliments dans un plat en céramique creux ou des récipients en terre cuite. La plupart de ces aliments cuisent dans un plat creux et exigent du brunissement sur le dessus et au fond.

## Rôtissage par convection (CONV ROAST)

Le mode de rôtissage par convection du four se sert d'une combinaison du ventilateur de convection et des sources de chaleur supérieure et inférieure. Ce mode est idéal pour les rosbifs de côte, les dindes, les poulets, etc.

## Le four offre deux modes de grillage

- Grillage (BROIL)
- Grillage par convection (CONV BROIL)

### **ADVERTISSEMENT**

- Lorsqu'on utilise les réglages grillage (BROIL) et grillage par convection (CONV BROIL), la porte du four doit être complètement fermée.
- Pour éviter d'endommager la sonde thermique, la retirer du four pendant l'utilisation de l'un ou l'autre des modes de grillage. Si la sonde thermique est branchée, les modes de grillage ne fonctionneront pas. Le symbole de la sonde thermique clignotera si la sonde thermique est branchée lorsqu'on tente de mettre le four en marche dans un des modes de grillage.

Le grillage est une façon rapide et savoureuse de préparer de nombreux aliments, dont les biftecks, le poulet, les côtelettes, les hamburgers et le poisson.

## Grillage (BROIL)

Le mode de grillage utilise une source de chaleur supérieure. Le mode est idéal pour le grillage de plus petites quantités de nourriture.

## Grillage par convection (CONV BROIL)

d'une source de chaleur supérieure. Ce mode est idéal pour les aliments qui n'ont pas besoin d'être tournés comme les coupes de viande plus minces, le poisson et le pain à l'ail.

## Conseils pour le grillage

- La présence de fumée est normale et nécessaire pour donner une saveur grillée aux aliments.
- Il est recommandé de régler la minuterie pour chronométrer le processus de grillage.
- Toujours utiliser une lèchefrite et un gril pour l'égouttage du gras et de la graisse supplémentaire, ce qui réduira les éclaboussures, la fumée et les flambées.
- Commencer avec une lèchefrite à température ambiante pour une cuisson égale.
- Utiliser des pinces ou une spatule pour tourner et enlever les viandes. Ne jamais percer la viande avec une fourchette parce que les jus naturels s'échapperont.
- Griller les aliments sur le premier côté pour un peu plus de la moitié du temps recommandé, assaisonner et tourner. Assaisonner le deuxième côté juste avant de retirer les aliments du four.
- Afin d'empêcher les aliments de coller, graisser légèrement la lèchefrite. De la graisse excédentaire causera beaucoup de fumée. Pour faciliter le nettoyage, retirer la lèchefrite et le gril lorsqu'on retire les aliments.

## Minuterie (Timer)

### **ADVERTISSEMENT**

Les minuteries sur le four ne mettent pas le four en marche ou ne l'arrêtent pas. Elles servent uniquement à chronométrer. Lorsqu'on veut arrêter le four automatiquement, utiliser les Fonctions de cuisson au démarrage différé.

### **REMARQUE**

Le fait d'appuyer sur la touche CANCEL · SECURE (annuler/ sécuriser) ne réinitialise ou n'arrête PAS les minuteries.

## Le four est muni de deux minuteries intégrées

- On peut utiliser les deux minuteries en même temps.
- On peut chronométrer d'une minute à 99 heures et 59 minutes.
- Le symbole de la minuterie apparaît sur l'affichage lorsqu'une des minuteries ou les deux minuteries sont utilisées.

## Pour utiliser les minuteries sur le four

1. Appuyer sur la touche TIMER1 (minuterie 1) ou TIMER 2.
2. Entrer les heures et minutes à chronométrer sur les touches numérique et appuyer sur START (démarrer). Pour entrer 11 heures, 30 minutes, appuyer sur 1-1-3-0. Pour chronométrer 25 minutes, appuyer sur 2-5. Lorsqu'on appuie sur START, le temps apparaîtra sur l'affichage et le compte à rebours commencera.

Lorsque la minuterie a terminé son compte à rebours, 0:00 apparaîtra sur l'affichage. Le chiffre de la minuterie clignotera sur l'affichage et émettra un timbre. Les timbres de la minuterie 1 et la minuterie 2 ont différents sons.

Minuterie	Son du timbre
1	1 seconde en marche, 1 seconde arrêtée, répéter
2	1 seconde en marche, 1 seconde arrêtée, 2 secondes en marche, 1 seconde arrêtée, répéter

Lorsque le timbre retentit, appuyer sur une des touches minuterie (TIMER) pour arrêter le timbre. Appuyer sur CLOCK (horloge) pour retourner à l'affichage principal.

## Pendant que la minuterie est en marche, on peut:

- Appuyer sur CLOCK pour voir l'heure actuelle.
- Appuyer sur TIMER 1 pour voir le temps qui reste sur la minuterie 1.
- Appuyer sur TIMER 2 pour voir le temps qui reste sur la minuterie 2.

## Pour changer le temps sur une minuterie

1. Appuyer sur les touches TIMER1 (minuterie 1) ou TIMER 2.
2. Entrer le nouveau temps sur les touches numérique et appuyer sur START (démarrer).

## Pour arrêter une minuterie avant l'écoulement du temps

- Appuyer deux fois sur les touches TIMER 1 (minuterie 1) ou TIMER 2. La minuterie s'arrêtera et l'affichage s'effacera.
- Appuyer sur CLOCK pour retourner à l'affichage principal.



# UTILISATION

## Fonctions de cuisson au démarrage différé

Pour régler le four pour qu'il se mette en marche ou s'arrête automatiquement plus tard, on peut se servir des fonctions de cuisson au démarrage différé.

### Choses à connaître au sujet de la cuisson au démarrage différé

- Les options au démarrage différée fonctionnent pour tous les modes de cuisson, sauf le grillage et le grillage par convection.
- On peut se servir des minuteries avec les fonctions au démarrage différé. Les minuteries n'ont pas d'effet sur les options au démarrage différé.
- On peut annuler le cycle de démarrage différé en tout temps en appuyant sur la touche **CANCEL · SECURE**.



### AVERTISSEMENT

La salubrité des aliments est un élément important de l'utilisation des fonctions au démarrage différé :

- Éviter d'utiliser des aliments qui seront avariés au moment où on attend le démarrage de la cuisson. Les aliments habituels à éviter comprennent : ceux qui contiennent des oeufs et des produits laitiers, des potages crème, ainsi que des viandes, de la volaille et du poisson cuits et crus.
- Ne pas laisser les aliments dans le four après l'arrêt complet. Lorsque la température descend sous 140°F (60°C), les bactéries peuvent se développer (après le mode maintien).
- Si la cuisson ne commence pas immédiatement, placer uniquement des aliments très froids ou congelés dans le four. La plupart des aliments décongelés ne devraient jamais être laissés dans le four pendant plus de deux heures avant le début de la cuisson.

### Trois façons d'utiliser la cuisson au démarrage différé

- Régler l'heure à laquelle le four doit s'allumer (START TIME) et régler l'heure à laquelle le four doit s'arrêter soit à l'aide de la touche COOK TIME (durée) soit à l'aide de la touche STOP TIME (heure d'arrêt).
- Régler uniquement l'heure de démarrage START TIME ensuite arrêter le four manuellement à la fin de la cuisson.
- Mettre le four en marche manuellement et régler l'heure à laquelle le four doit s'arrêter soit à l'aide de la touche COOK TIME soit à l'aide de la touche STOP TIME.

### Au sujet du mode maintien

- Lorsqu'on règle le four pour arrêter la cuisson à l'aide des touches COOK TIME (durée) ou STOP TIME (heure d'arrêt), il passera au mode "maintien" (HLD apparaîtra sur l'affichage) à la fin du temps de cuisson réglé. Le four gardera la température à 150°F (66°C) pendant deux heures.
- Appuyer sur CANCEL · SECURE (annuler/sécuriser) pour arrêter complètement le four.
- Afin d'empêcher les aliments de coller, ne pas laisser les aliments dans le four après son arrêt (après la fin du mode maintien).

### Utilisation de la cuisson au démarrage différé



### REMARQUE

La cuisson au démarrage différé ne peut pas être utilisée en mode Sabbat.

1. Rajuster les grilles au niveau approprié.
2. Placer les aliments dans le four.

3. Appuyer sur la touche du mode de cuisson désiré, sauf le grillage (BROIL) ou le grillage par convection (CONV BROIL).
4. Entrer la température de cuisson désirée sur les touches numérique.
5. Si on veut mettre le four en marche immédiatement et l'arrêter automatiquement plus tard, passer à l'étape 8.
6. Appuyer sur la touche START TIME (heure de démarrage).
7. Entrer l'heure à laquelle le four doit se mettre en marche sur les touches numérique. Pour 12:35, appuyer sur 1-2- 3-5. On peut entrer une heure jusqu'à 22 heures et 59 minutes d'avance. Appuyer sur la touche # pour changer à "AM" ou "PM".
8. Si on veut régler l'heure d'arrêt ou le temps de cuisson, appuyer sur les touches STOP TIME (heure d'arrêt) ou COOK TIME (durée), autrement passer à l'étape 9. Le fait d'utiliser la touche COOK TIME permet d'indiquer quand le four s'arrêtera en entrant le temps de fonctionnement. Utiliser la touche STOP TIME permet d'indiquer quand le four s'arrêtera en entrant l'heure. L'une ou l'autre des touches atteint le même résultat.
9. Appuyer sur START (démarrer).
10. Si on a entré une heure de démarrage START TIME, le four commencera à l'heure de démarrage entrée.
11. Si on a entré une durée (COOK TIME) ou une heure d'arrêt (STOP TIME), le four cuira jusqu'à l'heure entrée et passera ensuite au mode maintien.



### IMPORTANT

La fonction préchauffage (voir page 23 pour de description détaillée) est désactivée lorsque les fonctions de cuisson des démarrage différé est utilisée. Le temps requis pour chauffer doit être inclus dans le temps de cuisson. Le temps de cuisson requis augmente avec la température de cuisson et la quantité de aliment.

### Autres choses à connaître au sujet de la cuisson au démarrage différé

Lorsque le four est en mode de démarrage différé...

- Appuyer sur la touche CLOCK pour voir l'heure de démarrage actuelle.
- Appuyer sur la touche START TIME pour voir l'heure de démarrage.
- Appuyer sur la touche STOP TIME pour voir l'heure d'arrêt.
- Appuyer sur la touche COOK TIME pour voir le temps de cuisson.

### Utilisation de la sonde thermique

Pendant la cuisson des aliments comme les rôtis et la volaille, la température interne est la meilleure façon de savoir quand ils sont bien cuits. La sonde thermique du four est une manière facile d'enlever la conjecture du rôtissage. On peut l'utiliser pour cuire les aliments à la température exacte désirée. La sonde peut être réglée de 100°F (38°C) à 200°F (92°C).



### AVERTISSEMENT

- Pour réduire la possibilité de brûlures, utiliser des coussinets chauds pour manipuler, brancher et débrancher la sonde thermique lorsque le four est chaud.
- Utiliser les poignées pour insérer et retirer l'aiguille de la sonde thermique et la brancher au four. Le fait de pousser ou tirer sur l'un ou l'autre des extrémités du câble pourrait endommager la sonde thermique. Afin d'éviter de briser la sonde thermique, s'assurer que les aliments sont entièrement décongelés avant d'insérer l'aiguille.
- Afin de prévenir les dommages, ne jamais laisser la sonde thermique à l'intérieur du four lorsqu'il n'est pas en marche, surtout pendant le cycle d'autonettoyage.
- Le fait d'utiliser une sonde thermique différente que celle fournie avec le four peut endommager la sonde et/ou le four.

# UTILISATION



## REMARQUE

- La sonde thermique ne fonctionne pas avec les modes de grillage (BROIL) ou de grillage par convection (CONV BROIL) et sabbat. Brancher la sonde thermique pendant l'utilisation des modes ci dessus, le symbole de la sonde thermique clignotera pour indiquer une erreur.
- Si la sonde thermique est accidentellement débranchée après avoir appuyé sur la touche PROBE (sonde), le symbole de la sonde thermique clignotera et le message d'erreur "OPn" apparaîtra sur l'affichage.

1. Préparer la viande pour la cuisson avant de régler le four. Insérer la brochette de la sonde thermique dans le centre de la viande. S'assurer que la brochette n'est pas à l'intérieur des parties grasses de la viande et ne touche pas d'os. La pointe devrait se trouver dans la partie la plus épaisse de la viande. Lorsqu'on cuit de la volaille, la pointe de la brochette devrait se trouver vers le centre de l'oiseau.
2. Avant de placer la viande dans le four et avec la porte fermée, appuyer sur la touche BAKE, CONV BAKE, PURE CONV or CONV ROAST. La température préréglée apparaîtra sur l'affichage. Si on veut cuire avec une température différente, il faut l'entrer sur les touches numérique.
3. Appuyer sur START (démarrer).
4. Laisser le four se préchauffer. Il peut y avoir un brunissement excessif si la viande est placée dans le four pendant le préchauffage (lorsque "PRE-" apparaît sur l'affichage). Après le préchauffage du four ("PRE-" disparaît), placer la viande dans le four à l'aide de poignées. Insérer la sonde thermique branchée au raccord à l'intérieur du four.
5. Appuyer sur la touche PROBE (sonde). La température préréglée de la sonde (160°F/71°C), ainsi que le symbole de la sonde apparaîtront sur l'affichage. Si on veut cuire avec une température différente de sonde, il faut l'entrer sur les touches numérique. Utiliser le tableau de Température de cuisson sécuritaire minimum du USDA comme lignes directrices pour le type de viande à cuire.
6. Appuyer sur START (démarrer). Si on n'appuie pas sur START, la sonde de fonctionnera pas.

Lorsque la sonde thermique est utilisée, le four contrôlera automatiquement le temps de cuisson. La température sur l'affichage pendant la cuisson est la température mesurée à l'intérieur de la viande. Le four continuera la cuisson jusqu'à ce que la température de la viande atteigne la température entrée.

Lorsque la viande est prête, le four passera au mode maintien. La température sera réduite à 150°F (66°C) pendant deux heures pour garder la viande chaude et sécuritaire à servir. Afin de prévenir les maladies, ne pas laisser les aliments dans le four après qu'il s'arrête. Appuyer sur CANCEL · SECURE (annuler/sécuriser) pour annuler le mode maintien et arrêter complètement le four.

## Pour changer la température de la sonde thermique pendant la cuisson

1. Appuyer sur PROBE (sonde). La température actuelle de la sonde apparaîtra sur l'affichage
2. Entrer la nouvelle température. Le four passera automatiquement à la nouvelle température de la sonde. Si on n'entre pas une température, le four continuera la cuisson au réglage actuel.

## Pour changer le mode de cuisson pendant la cuisson à la sonde thermique

1. Appuyer sur la touche CANCEL · SECURE (annuler/ sécuriser).
2. Appuyer sur la touche BAKE, CONV BAKE, PURE CONV or CONV ROAST. Si on veut cuire à une température différente que la température préréglée du four, il faut l'entrer sur les touches numérique.
3. Appuyer sur START (démarrer).

## Pour annuler le fonctionnement de la sonde thermique pendant la cuisson

- Appuyer deux fois sur la touche PROBE. Débrancher la sonde thermique du raccord. Le four retournera aux réglages précédents.

## Détails importants au sujet de la sonde thermique

- Il faut sélectionner le mode de cuisson précis (BAKE, CONV BAKE, PURE CONV or CONV ROAST) avant d'appuyer sur la touche PROBE (sonde).
- Lorsqu'on appuie sur la touche PROBE (sonde), le cycle de préchauffage est désactivé. Pour de meilleurs résultats, sélectionner le mode de cuisson et laisser le four se préchauffer avant d'appuyer sur la touche PROBE.
- La fonction de la sonde thermique s'annulera automatiquement après 30 secondes si la sonde thermique n'est pas branchée. Le symbole de la sonde thermique clignotera sur l'affichage.
- La fonction de la sonde thermique s'annulera automatiquement après 30 secondes si la sonde thermique n'est pas branchée. Le symbole de la sonde thermique clignotera sur l'affichage STOP TIME ou durée COOK TIME, et passera ensuite au mode maintien.

### TEMPÉRATURE DE CUISSON SÉCURITAIRE MINIMUM DU USDA

#### Viande hachée et mélanges de viande

Boeuf, porc, veau, agneau	160°F (71°C)
Dinde, poulet	165°F

#### Boeuf frais, veau et agneau

À point	145°F (63°C)
---------	--------------

#### Volaille

Dinde, poulet, entier (température prise dans la cuisse)	165°F (74°C)
Poitrines de volaille, rôti	165°F (74°C)
Cuisses, ailes, jambes de volaille	165°F (74°C)
Canard et oie	165°F (74°C)
Farce	165°F (74°C)

#### Porc frais

Moyen	160°F (71°C)
-------	--------------

#### Jambon

Fraîche (crue)	160°F (71°C)
Préchauffé (réchauffé)	140°F (60°C)

**REMARQUE:** Les températures de cuisson interne sécuritaire minimum sont sous réserve de modification. Il y a des modifications dans les bactéries et les températures requises pour les éradiquer. Pour obtenir les renseignements les plus à jour, communiquer avec le Département de l'agriculture des États-Unis. [www.fsis.usda.gov](http://www.fsis.usda.gov)

## Déshydrater/Décongélation

Le four peut être utilisé pour déshydrater ou décongeler des aliments à des réglages de chaleur réduite en mode convection pure.



### AVERTISSEMENT

Afin de prévenir l'intoxication alimentaire, cuire les viandes immédiatement après leur décongélation.

# UTILISATION

## Pour déshydrater ou décongeler des aliments

1. Régler les grilles au niveau approprié.
2. Placer les aliments au centre de la grille de four. Si on déshydrate des aliments, préparer des aliments tel que recommandé, ensuite les placer sur le séchoir vertical.
3. Appuyer sur la touche PURE CONV (convection pure).
4. Pour décongeler des viandes, entrer la température jusqu'à 150°F (66°C) sur le clavier numérique. Pour la déshydratation, régler d'abord la température selon le tableau ci-dessous. Pendant la déshydratation, il peut être nécessaire de faire un essai avec des températures plus élevées.
5. Appuyer sur START (démarrer).

Type d'aliments	Température de déshydratation
Fruit	100°F (38°C)
Légumes	125°F (52°C)
Viande	150°F (66°C)

## Fermenter (PROOF)

On peut utiliser le four pour fermenter les pâtes à levure à base de farine bise à une basse température sans courant d'air à l'aide du mode cuisson au four (BAKE).

1. Appuyer sur la touche BAKE\*.
2. Entrer la température de 100°F (38°C) sur les touches numérique.
3. Appuyer sur START (démarrer).
4. Placer la pâte dans un bol graissé à l'intérieur du four. Couvrir le bol d'un chiffon humide ou d'un film étirable recouvert d'une vaporisation antiadhésive.
5. Allumer les lumières du four
6. Régler la minuterie pour le temps de levage indiqué dans la recette.

\* Modèles de fours doubles ont une touche fermenter (PROOF) pour le four inférieur. On peut appuyer sur cette touche au lieu de la touche BAKE. Lorsqu'on utilise la touche fermenter (PROOF), le four règle la température au préalable.

## Mode Sabbat

Le mode sabbat sur le four respecte les lois juives pour l'utilisation pendant le sabbat et les jours saints. Cette fonction permet au four d'effectuer deux types de cuisson, la cuisson au four (BAKE) et la convection pure (PURE CONV).

Lorsque le four est réglé au mode sabbat, les fonctions suivantes sont désactivées :

- Les lumières du four
- Toutes les touches, sauf CANCEL · SECURE, START et les touches 0 et 2.



### NOTE

- "SAB" apparaît sur l'affichage lorsque le mode sabbat est en cours d'utilisation.
- Comme avec tous les autres modes de cuisson, pendant le réglage du panneau de commande pour le fonctionnement sabbat, il faut appuyer sur toutes les touches avec des intervalles de moins de six secondes entre elles. Autrement, le tableau de commande s'effacera automatiquement.
- Sur les modèles de fours doubles, on ne peut pas utiliser un four en mode normal pendant que l'autre four fonctionne en mode sabbat.
- Le mode sabbat ne fonctionnera pas si la sonde thermique est branchée (le symbole de la sonde thermique clignotera).
- La cuisson au démarrage différé ne peut pas être utilisée en mode sabbat.
- En cas de panne de courant, le four retournera au mode sabbat au dernier réglage de température lorsque le courant est rétabli.
- Si une ou les deux minuteries fonctionnent, le four annule le fonctionnement des minuteries lorsque le mode sabbat est sélectionné.
- On peut utiliser un thermomètre de grille pour surveiller la température du four.

## Réglage de la fonction Sabbat

1. Appuyer sur la touche #.
2. Appuyer sur la touche BAKE (cuisson au four) ou PURE CONV (convection pure). Sur les fours doubles, s'assurer d'appuyer sur la touche BAKE ou PURE CONV du four qu'on veut utiliser.
3. Appuyer à plusieurs reprises sur les touches se 0 ou 2 pour changer la température de cuisson présélectionnée montrée sur l'affichage.
4. Appuyer (uniquement) sur la touche START (démarrer). Le four passera au mode sabbat et fonctionnera selon la méthode sélectionnée à l'étape 2.

## Ce qu'il faut connaître au sujet du mode sabbat

- La touche **CANCEL · SECURE** (annuler/sécuriser) sur le four demeure active afin de pouvoir annuler la fonction sabbat ou arrêter le four. Sur les fours doubles, les deux touches **CANCEL · SECURE** demeurent actives afin de pouvoir arrêter un four et laisser l'autre fonctionner.
- Sur les fours doubles, on peut répéter les étapes 2 à 4 pour démarrer l'autre four. Certains modèles de fours doubles sont équipés pour la convection pure dans seulement un four.
- Pendant la cuisson, le fait d'appuyer sur la touche 2 et d'appuyer ensuite sur **START**, (démarrer), indique au four d'augmenter la température de 25 °F (15°C). Le fait d'appuyer sur la touche 0 et d'appuyer ensuite sur **START**, indique au four de diminuer la température de 25°F (15°C). En conformité avec la loi juive, les éléments de cuisson seront rajustés de façon aléatoire lorsqu'on appuie sur ces touches et aucune modification ne sera vue sur l'affichage. Sur les fours doubles, il faut appuyer sur la touche **BAKE** ou **PURE CONV** (convection pure) du four pour lequel on veut changer la température avant d'appuyer sur la touche 0 ou 2.

## Réglage de la température du four

Même si le four est réglé à l'usine pour cuire à la température indiquée sur l'affichage, la cuisson peut se faire plus rapidement ou lentement que votre ancien four.



### AVERTISSEMENT

Ne pas rajuster la température de correction de la sonde ou de l'autonettoyage. Les corrections concernant la sonde et l'autonettoyage doivent demeurer à 0 pour le fonctionnement approprié et/ou sécuritaire.

# UTILISATION

**IMPORTANT:** Ne pas mesurer la température à l'intérieur du four avec un thermomètre. Ouvrir la porte causera une lecture incorrecte. De plus, la température à l'intérieur du four variera au fur et à mesure que les éléments de cuisson se mettent en marche et s'arrêtent.

Si on n'est pas satisfait des résultats du four, on peut régler la température de correction comme suit :

1. Lorsque le four est arrêté, appuyer et tenir les touches 0 et # sur les touches numérique en même temps. Après environ trois secondes, "PASS" apparaîtra sur l'affichage.
2. Entrer immédiatement 6428 sur les touches numérique, ensuite appuyer sur START (démarrer). "SLCt" (sélectionner) apparaîtra sur l'affichage.
3. Appuyer sur la touche du mode de cuisson pour lequel on veut corriger la température (CONV BAKE, CONV BROIL, PURE CONV, CONV ROAST, BAKE ou BROIL).

La température de correction actuelle apparaîtra sur l'affichage, par exemple "00", si la température n'a pas été réglée auparavant.

4. Entrer le chiffre correspondant à l'augmenter ou la diminution de la température sur les touches numérique. Pour entrer un signe négatif, appuyer sur # après les chiffres. Un signe négatif indique que le four sera refroidi selon la température entrée. Lorsqu'il n'y a pas de signe devant le chiffre, le four se réchauffera selon la température entrée. On peut entrer un chiffre entre 35°F ou 35°C (18°C ou -18°C).
5. Appuyer sur START pour sauvegarder les modifications.
6. Répéter les étapes 3 à 5 ci-dessus pour tous les autres modes de cuisson devant être corrigés.
7. Appuyer sur CANCEL · SECURE pour sortir du mode de correction.

## ENTRETIEN ET NETTOYAGE



### AVERTISSEMENT

- Nettoyer seulement les parties de l'appareil indiquées dans le présent manuel. Nettoyer l'appareil ménager uniquement de la façon précisée.
- Afin d'éviter les fumées dangereuses ou les dommages à l'appareil ménager et aux accessoires, utiliser seulement les types de solutions de nettoyage précisées dans le présent manuel.
- Afin d'éviter une commotion électrique ou des brûlures, s'assurer que toutes les pièces sont froides avant le nettoyage.
- Afin de prévenir les dommages, ne pas utiliser de nettoyeurs ou applicateurs abrasifs ou corrosifs comme la laine d'acier ou les tampons à récurer, sur n'importe quelle partie de l'appareil, à moins que ce soit indiqué. Utiliser uniquement une éponge, un chiffon doux, une brosse fibreuse ou en plastique, ou un tampon nettoyeur en nylon pour nettoyer les surfaces de l'appareil.
- Ne pas utiliser un nettoyeur à vapeur pour nettoyer l'appareil ménager. La vapeur pourrait s'infiltrer dans les composantes électriques et causer un court-circuit.
- Ne pas essayer d'enlever les matières renversées importantes avec un objet pointu comme un couteau ou une spatule en métal. Les objets pointus peuvent égratigner les surfaces de l'appareil ménager.



### AVERTISSEMENT

- Toujours essuyer la graisse excédentaire et les autres aliments renversés à l'aide d'un chiffon humide avant d'utiliser le cycle d'autonettoyage. Cela minimisera la fumée et augmentera l'efficacité. Voir les directives de nettoyage appropriées sur cette page.
- Ne pas toucher les surfaces extérieures de l'appareil ménager pendant le cycle d'autonettoyage. Elles seront chaudes.
- Les articles laissés dans le four pendant l'autonettoyage s'endommageront ou endommageront le four.

## Autonettoyage

### La fonction d'autonettoyage du four

- Le four fonctionnera mieux et produira de meilleurs produits de boulangerie-pâtisserie lorsqu'il est propre. Pendant l'autonettoyage, le four est chauffé à des températures très élevées qui brûlent les dépôts sur les surfaces du four. L'autonettoyage élimine le besoin d'un lavage manuel des surfaces intérieures. Le processus d'autonettoyage nécessite de deux à quatre heures.
- Il est normal que le four dégage de la fumée pendant le cycle d'autonettoyage. Il est également normal que le four émette des crépitements pendant l'autonettoyage. Ces crépitements sont causés par l'expansion et la contraction des surfaces de métal lorsque le four se chauffe et se refroidit.
- Le mode d'autonettoyage ne fonctionnera pas si la sonde thermique est branchée.

### Comment utiliser la fonction d'autonettoyage



### IMPORTANT

- Sur les fours doubles, le tableau de commande permettra seulement à un four d'être nettoyé à la fois en raison de la quantité d'électricité consommée. De plus, l'ordinateur du four double empêchera la cuisson dans un four pendant que l'autre est en mode autonettoyant.
- Les lumières du four ne fonctionneront pas pendant le mode d'autonettoyage du four afin de les protéger.
- L'autonettoyage ne fonctionnera pas lorsque la sonde thermique est branchée (le symbole de la sonde thermique clignotera).

1. Avant de procéder à l'autonettoyage, retirer les grilles, le filtre de convection, toute la batterie de cuisine (marmites, poêles, fourchettes, etc.), la sonde thermique, les feuilles d'aluminium et tout autre objet libre de la chambre de cuisson. Voir la page 33 pour connaître les instructions de nettoyage du filtre.
2. Nettoyer la souillure des surfaces en porcelaine de la porte à l'extérieur du joint de porte. Bien rincer les surfaces à l'aide d'une solution de vinaigre et d'eau, puis essuyer. On peut nettoyer les zones très sales avec un tampon à récurer qui n'égratigne pas.
3. Nettoyer le joint de porte en appliquant une solution d'eau et de savon doux par petites touches.



# ENTRETIEN ET NETTOYAGE

## MISE EN GARDE

- Il faut être extrêmement prudent pendant le nettoyage du joint de porte. Le frotter ou le déplacer peut endommager le joint d'étanchéité serré de la porte nécessaire pour la cuisson et l'autonettoyage.
- Pendant l'autonettoyage, ne pas ouvrir la porte par la force une fois qu'elle est verrouillée, cela risque d'endommager la porte ou le verrou.

4. Allumer les ventilateurs ou les événements de la cuisine pour aider à enlever les odeurs pendant le cycle d'autonettoyage.
5. S'assurer que la porte du four est fermée.
6. Appuyer sur la touche Self-clean (autonettoyage).
7. Appuyer sur la touche START (démarrer).

Le tableau de commande verrouille automatiquement la porte du four pendant l'autonettoyage. Le verrou empêche la porte de s'ouvrir étant donné que les températures élevées à l'intérieur peuvent facilement causer des blessures. Si la porte n'est pas fermée, un message d'erreur s'affichera. Afin de rectifier le problème, appuyer sur CANCEL · SECURE (annuler-sécuriser) et attendre environ une minute, ensuite fermer la porte. Lorsque la porte est bien fermée, recommencer le processus d'autonettoyage.

L'affichage montre le statut du cycle d'autonettoyage :

- Le symbole de nettoyage indique que l'autonettoyage est en cours.
- Le symbole de verrouillage indique que la porte est verrouillée.



Pour arrêter le cycle d'autonettoyage, appuyer sur la touche CANCEL · SECURE (annuler-sécuriser). Garder à l'esprit que la porte du four demeurera verrouillée (le symbole de verrouillage s'affichera) jusqu'à ce qu'on puisse ouvrir la porte en toute sécurité. Il faut faire preuve de prudence parce que l'intérieur du four sera quand même chaud.

## Après l'achèvement du cycle d'autonettoyage

- Le verrou de la porte se libérera lorsque l'intérieur se sera refroidi. L'icône de nettoyage, l'icône de verrouillage et le témoin "ON" (en marche) disparaîtront de l'affichage. Il faut faire preuve de prudence parce que le four sera quand même chaud au moment où le verrou de la porte est libéré.
- Réinstaller le filtre de convection et les grilles du four avant d'utiliser le four.
- On peut remarquer un résidu de cendre au fond du four après l'autonettoyage. Cette situation est normale. Utiliser un chiffon ou une éponge humide pour essuyer le résidu après le refroidissement du four.

## Conseils concernant l'autonettoyage

- S'il reste de la saleté dans le four après le cycle d'autonettoyage, on peut répéter le cycle.
- Effectuer régulièrement l'autonettoyage du four pour prévenir l'accumulation excessive de la saleté. Cela améliore l'efficacité du cycle d'autonettoyage et réduit la fumée et les odeurs.

## Régler le four à la position d'autonettoyage plus tard

1. Préparer le four pour l'autonettoyage en suivant les instructions. Suivre toutes les mesures de sécurité et retirer tous les articles énumérés de l'intérieur du four. Nettoyer le joint de porte et autour de la porte en suivant les instructions.
2. Fermez la porte du four.
3. Appuyer sur la touche Self-clean (autonettoyage).
4. Appuyer sur la touche START TIME (heure de démarrage).

5. Entrer le démarrage différé désiré. Par exemple, appuyer 1-2-3-0 pour 12 h 30. On a la possibilité de choisir l'heure jusqu'à 22 heures et 59 minutes d'avance.
6. Appuyer sur START. (démarrer). Lorsqu'on appuie sur START, "DELAY" (différé) apparaîtra sur l'affichage et la porte du four se verrouillera. L'autonettoyage commencera à l'heure choisie.

## Lorsque le four est réglé pour un autonettoyage ultérieur

- On peut voir l'heure en appuyant sur la touche CLOCK.
- Si l'heure est affichée, on peut voir le démarrage différé du cycle d'autonettoyage en appuyant sur START TIME.
- Lorsque le cycle d'autonettoyage commence, "DELAY" (différé) disparaîtra et "ON" (en marche) apparaîtra sur l'affichage.

## Pour annuler le cycle d'autonettoyage au démarrage différé

- Appuyer sur CANCEL/SECURE (annuler/sécuriser).
- Si le processus d'autonettoyage n'a pas commencé, attendre environ une minute pour le déverrouillage de la porte avant de tenter d'utiliser le four.
- Si le processus d'autonettoyage est en cours, la porte se déverrouillera lorsque le four se sera assez refroidi pour ouvrir la porte de façon sécuritaire. Le four sera quand même chaud (environ 400°F/204°C).

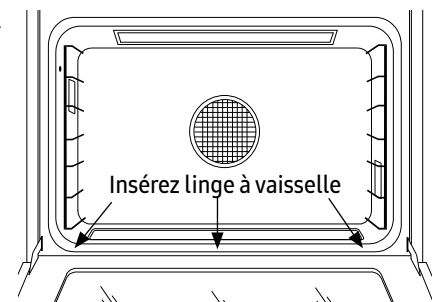
## Nettoyage à vapeur rapide

Le processus de nettoyage à la vapeur offre une façon rapide et simple de nettoyer une légère accumulation de salissure à l'intérieur du four. Le nettoyage à la vapeur vous permet d'économiser du temps et de l'énergie comparativement au processus d'auto-nettoyage, qui devrait être utilisé pour une accumulation de salissure plus importante. Dans le cas des cuisinières à deux fours, le processus de nettoyage à la vapeur rapide peut se faire dans les deux fours en même temps, contrairement au processus d'auto-nettoyage.

## ADVERTISSEMENT

- Afin d'éviter les brûlures, ne versez pas d'eau dans le four lorsqu'il est chaud.
- L'eau qui reste à l'intérieur du four lorsque vous ouvrirez la porte après le nettoyage sera encore chaude.
- Ne réglez pas le four à une température supérieure à 85 °C (185 °F).

1. Retirer les grilles, le filtre de convection, toute la batterie de cuisine (marmites, poêles, fourchettes, etc.), la sonde thermique, les feuilles d'aluminium et tout autre objet libre de la chambre de cuisson.
2. Tout en vous assurant que le four est frais, versez 375 ml d'eau (eau distillée de préférence) dans la partie renfoncée du fond du four. Pour une accumulation légèrement plus importante, vous pouvez mélanger une cuillère à thé de savon à vaisselle dans l'eau avant de la verser.
3. Pliez un linge à vaisselle en deux et insérez le bout (épaisseur double) entre la porte et le joint de porte (droite à gauche) afin de récupérer l'eau qui pourrait s'écouler pendant le nettoyage. Mettez le reste de la serviette juste à l'intérieur de la porte du four.
4. Fermez la porte du four, appuyez sur le bouton BAKE. Réglez ensuite la température du four à 85 °C (185 °F) et appuyez sur START (démarrer).
5. Réglez la minuterie à 20 minutes.
6. Lorsque le signal sonore de la minuterie retentit, appuyez sur CANCEL · SECURE (annuler-sécuritaire). Attendez 10 minutes avant d'ouvrir



# ENTRETIEN ET NETTOYAGE

la porte. Lorsqu'on ouvre la porte, il y a habituellement une grande quantité de vapeur, de condensation et d'eau à l'intérieur.

- À l'aide d'une éponge savonneuse, essuyez d'abord l'intérieur de la fenêtre de la porte. Ensuite, essuyez soigneusement le reste de l'eau à l'intérieur du four.
- Frottez l'intérieur du four à l'aide de l'éponge savonneuse jusqu'à ce qu'il ne reste plus de graisse et de salissure sur les surfaces intérieures. Vous pouvez enlever les dépôts de chaux avec un chiffon imbibé de vinaigre.
- Assurez-vous que toutes les surfaces sont sèches après le nettoyage en essuyant le four à l'aide d'essuie-tout. Laissez la porte entrouverte afin de permettre à la condensation de s'échapper.

Répétez le processus chaque fois que la salissure commence à s'accumuler à l'intérieur du four.

## Nettoyage de l'extérieur

### Tableau de commande

#### **AVERTISSEMENT**

Ne pas utiliser de nettoyeurs ou applicateurs abrasifs sur le tableau de commande. Ils peuvent endommager la finition de façon permanente.

Afin d'éviter d'allumer le four accidentellement pendant le nettoyage du panneau de sécurité, activer la fonction de verrouillage. Appuyer la touche CANCEL · SECURE (annuler/sécuriser) pendant six secondes. La fonction de verrouillage désactive les touches. Lorsque le tableau de commande est verrouillé, le mot "OFF" (arrêt) est affiché.

Lorsqu'on veut réactiver le tableau de commande, appuyer sur CANCEL · SECURE pendant six secondes.

Nettoyer le tableau de commande avec le côté doux d'une éponge humectée d'une solution douce de détergent et d'eau tempérée. Sécher complètement le tableau de commande à l'aide d'un chiffon doux non pelucheux.

### Nettoyage des surfaces en acier inoxydable

#### **MISE EN GARDE**

Toujours essuyer les surfaces en acier inoxydable (argentées) dans le sens du grain. Pour éviter les égratignures, ne pas utiliser des nettoyeurs ou des lavettes abrasifs sur les surfaces en acier inoxydable.

À l'aide d'un chiffon doux, nettoyer les surfaces en métal avec une solution douce de détergent et d'eau tempérée. Rincer les surfaces et les sécher avec un chiffon doux non pelucheux.

### Verre (intérieur et extérieur)

Utiliser un nettoyeur pour verre doux pour enlever les empreintes digitales. On peut également nettoyer les surfaces de verre avec la crème nettoyante pour table de cuisson de Dacor. Utiliser la crème selon les directives de l'emballage.

On peut frotter les lentilles de la lumière du four avec le côté rugueux d'une éponge et de l'eau tempérée savonneuse. Éviter de l'égratigner.

## Nettoyage de l'intérieur

### Nettoyage de le filtre de convection

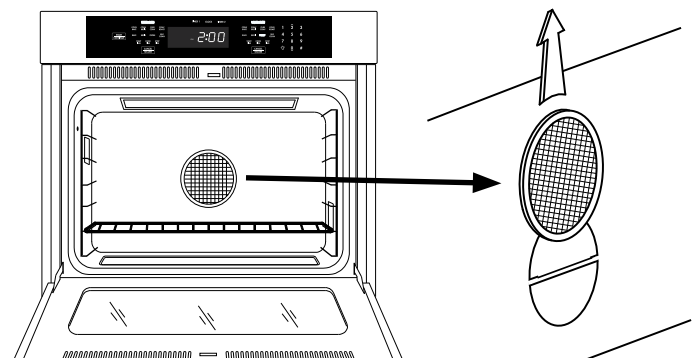
#### **AVERTISSEMENT**

Pour des raisons de sécurité et pour un bon rendement du four, ne pas utiliser le four pour la cuisson sans le filtre à convection installé. Lorsque le filtre n'est pas installé, les pales de ventilateur en rotation à l'arrière du four sont exposées.

Le filtre de convection se trouve à l'arrière de chaque chambre du four. Nettoyer régulièrement le filtre. Si on permet au filtre de s'obstruer, les modes de cuisson par convection du four ne fonctionneront pas correctement. Il faut également retirer le filtre pendant le cycle d'autonettoyage.

#### Retirer le filtre de convection

Après le refroidissement du four, placer les doigts autour des bords du filtre et pousser doucement vers le haut.



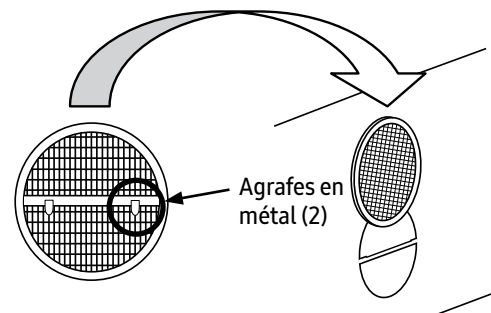
#### Pour nettoyer le filtre

Tremper le filtre dans de l'eau chaude savonneuse. Bien rincer le filtre. On peut également placer le filtre dans le panier du haut d'un lave-vaisselle. Sécher le filtre avant de le réinstaller.

#### Installation du filtre de convection du four

Accrocher soigneusement les agrafes en métal à l'arrière du filtre sur la barre métallique à travers le trou du ventilateur. S'assurer qu'elle est centrée sur le trou. Éviter de gratter les surfaces en porcelaine avec le dos du filtre.

### Joint de porte (sceau)



#### **AVERTISSEMENT**

Il faut être extrêmement prudent pendant le nettoyage du joint de porte. Le frotter ou le déplacer peut endommager le joint d'étanchéité serré de la porte nécessaire pour la cuisson et l'autonettoyage.

Nettoyer le joint de porte en appliquant une solution d'eau et de savon doux par petites touches. Ne pas frotter le joint de porte ou il s'endommager.

# ENTRETIEN ET NETTOYAGE

## Grilles

### MISE EN GARDE

Afin de prévenir les dommages, ne pas autonettoyer les grilles du four.

Pour nettoyer les grilles du four, appliquer une solution de détergent et d'eau chaude. Lorsqu'il est nécessaire de nettoyer beaucoup de saleté, utiliser un tampon de récurage comme la laine d'acier avec suffisamment d'eau. On peut également utiliser une solution d'une tasse d'ammoniac pour deux gallons d'eau.

## Sonde thermique

### MISE EN GARDE

Afin de prévenir les dommages, ne pas immerger la sonde thermique dans de l'eau.

La sonde thermique est fabriquée de poignées en silicone, d'une fiche et d'une aiguille en acier inoxydable. Pour nettoyer l'aiguille, utiliser un tampon de récurage et de l'eau chaude savonneuse. Essuyer les poignées avec une éponge douce trempée d'une solution de détergent et d'eau tempérée.

## Remplacement de l'ampoule

### ADVERTISSEMENT

- Afin de prévenir la commotion électrique et/ou les blessures, s'assurer que le four et les ampoules sont froids et que l'alimentation au four est coupée au niveau du bloc d'alimentation avant de remplacer les ampoules.
- Toujours s'assurer que les lentilles sont en place pendant le fonctionnement du four. Les lentilles protègent les ampoules du bris causé par les températures élevées du four ou le choc mécanique.
- Le fait de remplacer les lentilles sans aligner l'entaille avec la douille endommagera le dispositif d'éclairage.
- Ne pas utiliser un tournevis pour retirer les lentilles.

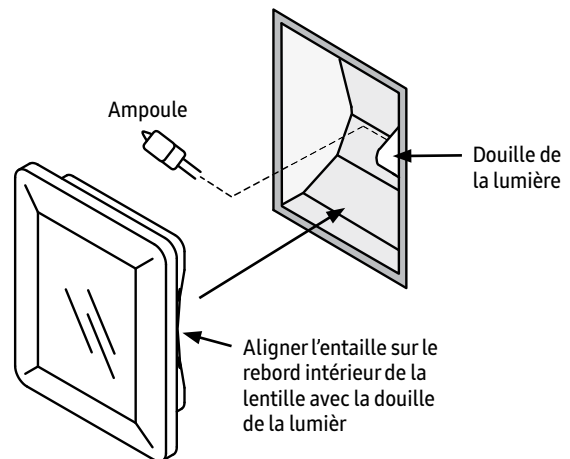
Le remplacement de l'ampoule est jugé comme une opération d'entretien relevant du propriétaire. Avant de remplacer les ampoules qui ne fonctionnent pas, voir **Dépannage** à la page 35.

### IMPORTANT

Ne pas toucher l'ampoule à halogène de remplacement avec ses doigts. Les ampoules à halogène sont sensibles aux huiles de la main. Les huiles de la main colleront à l'ampoule et cette dernière brûlera plus rapidement.

## Pour remplacer les ampoules

1. Remplacer l'ampoule uniquement avec le numéro de pièce 100429 de Dacor (12 volts, 20 watt seulement). Voir [www.everythingdacor.com](http://www.everythingdacor.com).
2. Couper l'alimentation à l'appareil ménager au niveau du tableau disjoncteurs ou du coffret de fusibles.
3. Appuyer la main sous la lentille et enlever doucement l'ampoule à l'aide d'une spatule ou d'un couteau de cuisine. Retirer la lentille.
4. Saisir l'ancienne ampoule et la retirer de la douille.
5. À l'aide d'un gant, insérer la nouvelle ampoule dans la douille.
6. Pendant la réinstallation de la lentille, aligner l'entaille sur le rebord intérieur avec la douille de la lumière. Appuyer doucement pour remettre la lentille à sa place initiale.
7. Ouvrir l'alimentation au four au niveau de l'alimentation principale.
8. Réinitialiser l'horloge (voir page 23).





# DÉPANNAGE

Problème	Cause probable	À faire
Rien ne fonctionne.	L'appareil ménager n'est pas branché à l'alimentation électrique.	Demander à un installateur qualifié raccorder l'appareil ménager à la boîte de connexion installée par un électricien agréé.
	L'alimentation est coupée.	Alimenter à l'appareil au niveau du disjoncteur ou du coffret de fusibles.
	Le tableau de commande est verrouillé.	Appuyer sur la touche CANCEL · SECURE pendant 6 secondes pour réactiver le tableau de commande.
	Panne de courant.	Communiquer avec la compagnie d'électricité.
Le four ne chauffe pas.	Le réglage du four n'est pas correct.	Appuyer sur CANCEL · SECURE, Suivre les instructions de la section Utilisation.
	Le four est réglé pour la cuisson au démarrage différé.	Le four se mettra en marche automatiquement à l'heure pré-réglée. Appuyer sur CANCEL · SECURE pour retourner au fonctionnement normal.
	On tente de griller avec la sonde thermique branchée.	Les réglages de grillage (BROIL) et de grillage par convection (CONV BROIL) ne fonctionneront pas lorsque la sonde thermique est branchée.
Les aliments cuisent trop ou pas assez.	Temps ou température de cuisson incorrecte.	Suivre les instructions de la section Utilisation.
Le four s'arrête par lui-même après 12 heures de fonctionnement.	La minuterie de 12 heures est en marche. L'appareil est réglé pour s'arrêter automatiquement après 12 heures d'utilisation continue.	Arrêter la minuterie de 12 heures. Voir page 26.
Le four ne s'autonettoie pas.	La porte du four n'est pas bien fermée.	Vérifier la présence d'obstructions. Bien fermer la porte.
	Le four est réglé pour un nettoyage à démarrage différé.	L'autonettoyage du four se fera à l'heure pré-réglée. Appuyer sur CANCEL · SECURE pour retourner au fonctionnement normal.
	Le four n'est pas réglé correctement.	Suivre les instructions de la section Nettoyage et entretien.
	La sonde thermique est branchée.	Le cycle d'autonettoyage du four ne commencera pas lorsque la sonde thermique est branchée. Débrancher et retirer la sonde thermique.
La porte du four ne s'ouvre pas.	Le four est réglé pour s'autonettoyer.	Si le symbole de verrouillage apparaît, on ne peut pas ouvrir la porte. Attendre la fin de l'autonettoyage ou appuyer sur CANCEL · SECURE.
Les lumières du four ne fonctionnent pas.	Le four est en mode autonettoyage.	La touche de la lumière est désactivée lorsque le four se trouve en mode autonettoyage
	Le four est en mode sabbat.	La touche de la lumière est désactivée lorsque le four se trouve en mode sabbat.
	Les ampoules sont brûlées.	Remplacer les ampoules.
Les lumières du four ne s'éteignent pas.	La touche des lumières est réglée.	Appuyer sur la touche des lumières pour éteindre les lumières.
Le mode sabbat ne fonctionne pas.	La sonde thermique est branchée.	Le mode sabbat ne fonctionnera pas si la sonde thermique est branchée. Débrancher et retirer la sonde thermique.
Le four passe trop rapidement au mode d'attente après la connexion de la sonde thermique.	Le connecteur de la sonde thermique est encore mouillé après le nettoyage.	À l'aide d'un chiffon sec, séchez la partie en métal de la prise qui se branche au four.
Le ventilateur continue de fonctionner après l'arrêt du four.	Fonctionnement normal.	Le ventilateur peut fonctionner pendant un certain temps après l'arrêt du four, jusqu'au refroidissement des pièces internes.
	L'heure n'est pas réglée.	Régler l'heure. Voir page 23.
L'heure sur l'affichage n'est pas affichée correctement.	Panne de courant ou l'alimentation a été coupée.	Réinitialiser l'heure. Voir page 23.
	Le four est en usage. On ne peut pas régler l'heure lorsqu'on utilise le four. Arrêter le four pour régler l'heure.	Arrêter le four pour régler l'heure.
L'heure clignote sur l'affichage.	Panne de courant ou l'alimentation a été coupée.	Régler l'heure. Voir page 23.
Le tableau de commande n'émet pas de timbre lorsqu'on appuie sur le panneau de commande et lorsque se termine le compte à rebours de la minuterie.	Le timbre du tableau de commande est désactivé.	Activer le timbre. Voir page 23.
Un code d'erreur apparaît et demeure sur l'affichage, par exemple "U55."	Un code d'erreur ayant une lettre suivi d'un chiffre qui apparaît et demeure sur l'affichage indique un problème qui ne peut pas être résolu par le client.	Communiquer avec un service de dépannage.

## Pour obtenir de l'aide

Avant de demander une réparation :

1. Passer en revue la section Dépannage de ce manuel (page 40).
2. Effectuer les vérifications nécessaires indiquées.
3. Prendre connaissance des conditions générales de la garantie.
4. Si le problème n'est pas résolu, contacter l'équipe du service à la clientèle de Dacor.

Pour des réparations sous garantie, contacter :

Téléphone : 833-353-5483 (É.-U. et Canada)

Du lundi au vendredi, De 5 h à 17 h, heure normale du Pacifique

Pour nous contacter, veuillez consulter notre site Web à : [www.dacor.com/customer-care/contact-us](http://www.dacor.com/customer-care/contact-us)

## Garantie

### Ce Qui Est Couvert

CERTIFICAT DE GARANTIE : FOUR MURAL DACOR

DANS LES CINQUANTE ÉTATS DES É.-U., LE DISTRICT DE COLUMBIA ET AU CANADA :

### GARANTIE COMPLÈTE D'UN AN

La garantie s'applique uniquement à l'appareil Dacor vendu au premier acheteur, à partir de la date de l'achat au détail initial ou la date de clôture de la nouvelle construction, la période la plus longue l'emportant. La garantie est valide sur les produits achetés neufs d'un distributeur agréé de Dacor ou d'un autre vendeur autorisé de Dacor.

Si votre appareil Dacor arrête de fonctionner pendant la période de un an à compter de la date d'achat originale en raison d'une défectuosité des matériaux ou du travail, Dacor y remédiera sans frais.

Tous les dommages esthétiques (comme les égratignures sur l'acier inoxydable, les imperfections dans la porcelaine/peinture, etc.) du produit ou des accessoires inclus doivent être signalés à Dacor dans les 60 jours suivant la date d'achat originale afin d'être couverts par la garantie.

À l'exception de ce qui est susmentionné, les pièces consommables comme les filtres et les ampoules ne sont pas couvertes par la garantie et relèvent de la responsabilité de l'acheteur.

### LIMITES DE LA COUVERTURE

Le service sera effectué par une entreprise de services désignée par Dacor pendant les heures d'ouverture ordinaires. Veuillez noter que les fournisseurs de services sont des entreprises indépendantes et ne sont pas des agents de Dacor.

Les produits exposés par le distributeur et ceux exposés dans la maison témoin dont la date de production est d'au moins cinq ans, les produits vendus tels quels et les produits installés pour l'utilisation non résidentielle, comprenant entre autres les organismes religieux, les casernes de pompiers, les chambres d'hôtes et les spas ont uniquement une garantie d'un an pour les pièces.

Les coûts de la livraison, de l'installation, de la main-d'oeuvre et des autres services relèvent de la responsabilité de l'acheteur.

La garantie est nulle et non avenue pour un produit modifié ou endommagé, ou un produit n'ayant pas de numéro de série ou d'étiquettes.

Le propriétaire doit fournir, sur demande, la preuve d'achat ou le relevé de clôture de la nouvelle construction. Tous les produits Dacor doivent être accessibles aux fins d'entretien.

La garantie est nulle et non avenue si un produit non approuvé CSA est transporté des É.-U.

HORS DES CINQUANTE ÉTATS DES É.-U., LE DISTRICT DE COLUMBIA ET AU CANADA :

### GARANTIE LIMITÉE À LA PREMIÈRE ANNÉE

Si votre produit DACOR cesse de fonctionner durant l'année qui suit la date initiale d'achat, à cause d'un défaut de matériel ou de main-d'oeuvre, DACOR fournira une nouvelle pièce, FAB en usine, pour remplacer la pièce défectueuse. Tous les frais de livraison, installation et main-d'oeuvre sont la responsabilité de l'acheteur. Le propriétaire devra fournir une preuve d'achat sur demande et l'appareil devra être accessible pour la réparation.

Les coûts de la livraison, de l'installation, de la main-d'oeuvre et des autres services relèvent de la responsabilité de l'acheteur.

### Ce Qui N'est Pas Couvert

- Les légères variations de couleur attribuables aux différences des pièces peintes, à l'éclairage de la cuisine, au placement du produit ou à d'autres facteurs; la présente garantie ne s'applique pas aux variations de couleur.
- Les appels de service pour former le client aux bons usage et entretien du produit.
- Les frais de service pour les déplacements vers les îles et les endroits éloignés, comprenant entre autres, les frais pour les traversiers, les frais des autoroutes à péage ou d'autres dépenses.
- Les dommages indirects comprenant entre autres, la perte d'aliments ou de médicaments, les absences du travail ou les repas au restaurant.
- Une panne du produit s'il est utilisé pour le commerce, les affaires ou la location ou pour tout autre application que pour l'usage résidentiel du client.
- La défaillance du produit causée par une mauvaise installation du produit.
- Le remplacement des fusibles ou des boîtes de fusibles de la maison ou le réenclenchement des disjoncteurs.
- Les dommages au produit causés par un accident, un incendie, une inondation, une coupure de l'alimentation électrique, une augmentation subite du voltage ou d'autres actes de la nature.
- La responsabilité quant aux dommages des biens avoisinants, dont les armoires, les planchers, les plafonds et les autres structures ou objets autour du produit.
- Le bris, la décoloration ou les dommages au verre, aux surfaces métalliques, aux composantes plastiques, aux garnitures, à la peinture, la porcelaine ou autre fini esthétique, causés par un usage ou un entretien inadéquats, un abus ou par négligence.

### Hors garantie

Communiquez avec nous si un problème survient après la période normale de la garantie. Dacor examine chaque problème et préoccupation du consommateur afin de fournir la meilleure solution possible en fonction des circonstances.

LES RECOURS OFFERTS DANS LES GARANTIES EXPRESSES CI-DESSUS SONT LES RECOURS UNIQUES ET EXCLUSIFS; PAR CONSÉQUENT AUCUNE AUTRE GARANTIE EXPRESSE N'EST OFFERTE, ET HORS DES CINQUANTE ÉTATS DES É.-U., LE DISTRICT DE COLUMBIA ET AU CANADA, AUCUNE GARANTIE IMPLICITE, Y COMPRIS MAIS SANS Y ÊTRE LIMITÉE, TOUTE GARANTIE IMPLICITE DE QUALITÉ MARCHANDE ET D'ADAPTATION À UN USAGE PARTICULIER POUR UN ACHAT. EN AUCUN CAS, DACOR NE SERA TENU RESPONSABLE POUR DES FRAIS ACCESSOIRES OU DES DOMMAGES INDIRECTS. AUCUNE GARANTIE N'EST OFFERTE, EXPRESSE OU IMPLICITE À UN ACHETEUR POUR LA REVENTE.

Certains états ou provinces n'autorisent pas de restriction à la durée d'une garantie implicite ni l'exclusion ou la restriction de dommages accessoires ou indirects; les restrictions ou exclusions pourraient donc ne pas s'appliquer à vous. Cette garantie vous donne des droits particuliers et vous pourriez également avoir d'autres droits qui varient selon les états et provinces.

# REMARQUES



***dacor***

LET THE SHOW BEGIN

© 2018 Dacor. All Rights Reserved.