



## 48-INCH EPICURE WALL HOOD

HWHE48 | HERITAGE COLLECTION



### AVAILABLE MODELS

HWHE4812      48" Epicure Wall Hood, 12" Height  
HWHE4818      48" Epicure Wall hood, 18" Height

### FEATURES & BENEFITS

- 1,200 CFM dual internal blower included
- LED lighting to light the cooking area
- Seamless canopy design enhances kitchen design
- American made
- Removable, easy-to-clean filters capture grease without affecting the airflow

### CONTROL FEATURES

FAN SPEEDS	FOUR-SPEED
LOCATION	UNDER CANOPY

### FEATURES

CFM	1,200 CFM BLOWER INCLUDED
FILTER TYPE	BAFFLE
REMOVABLE FILTER	YES
LIGHTING	LED
AUTO-ON	YES

### TECHNICAL DETAILS

CIRCUIT BREAKER (A)	10
VOLTS (V)	120
FREQUENCY (HZ)	60
ENERGY SOURCE	ELECTRIC

### DIMENSIONS

APPLIANCE DIMENSIONS (H X W X D) (IN.)	12" (HWHE4812), 18" (HWHE4818) X 48" X 25 1/2"
UPPER CABINET CUTOUT (W) (IN.)	48"

### WARRANTY

LIMITED, PARTS AND LABOR	1 YEAR
--------------------------	--------

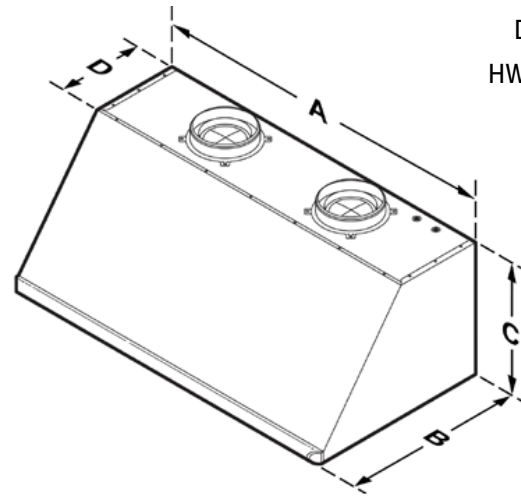
# dacor

## 48-INCH EPICURE HOOD

### APPLIANCE DIMENSIONS

HWHE4812/4818

A - WIDTH	47 7/8" (121.6 CM)
B - DEPTH	25 1/2" (64.8 CM)
C - HEIGHT	30 1/2 - 12" (30.5 CM), 30 1/8 - 18" (45.7 CM)
D - TOP DEPTH	11 7/8" (30.2 CM)



Dual Blower  
HWHE 48 Series

### REAR DIMENSIONS

HWHE4812/4818

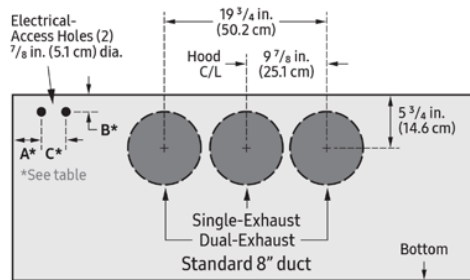
A	5" (12.7 CM)
B	1" (2.54 CM)
C	3" (7.62 CM)

### CUTOUT DIMENSIONS

HWHE4812/4818

E	48" (121.9 CM)
---	----------------

#### Rear Dimensions: Electrical-Access Holes

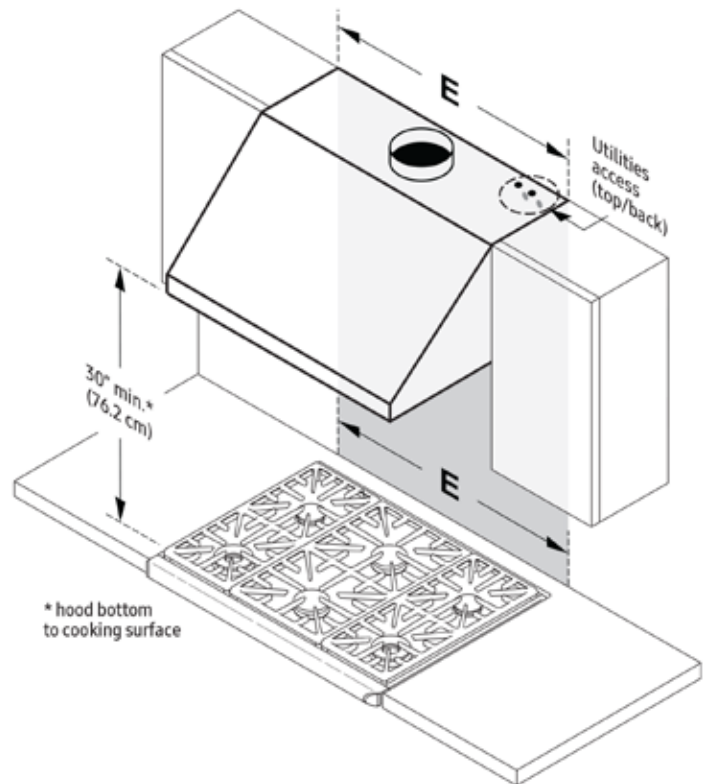
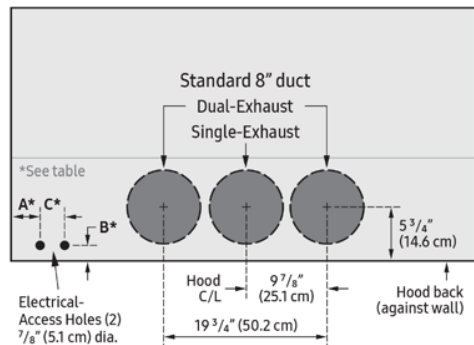


### TOP DIMENSIONS

HWHE4812/4818

A	5" (12.7 CM)
B	1 1/2" (3.81 CM)
C	3" (7.62 CM)

#### Top Dimensions: Electrical-Access Holes



\* hood bottom to cooking surface