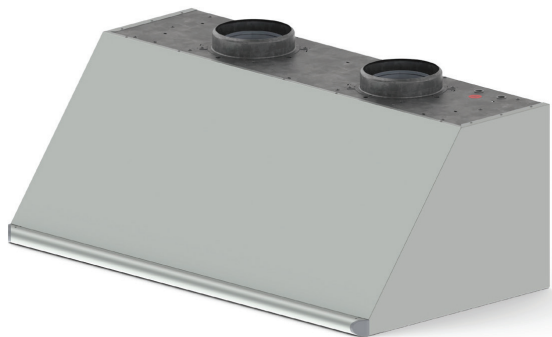




## 48-INCH WALL HOODS

HWHE48 | HERITAGE COLLECTION



### AVAILABLE MODELS

- HWHE4812S 48" Heritage Wall Hood 12" Height
- HWHE4818S 48" Heritage Wall Hood 18" Height

### FEATURES & BENEFITS

- Epicure Style Hood with stainless steel baffles.
- Seamless Canopy Design enhances kitchen design by minimizing unfinished edges.
- Elegant Control Panel with LED backlit buttons for easy control of lights, fan speed and timer.
- Four Speed Fan provides great performance while minimizing noise.
- Auto ON turns hood on automatically if high temperatures are sensed.
- LED Lighting provides energy efficiency and a bright cooking area.
- Dishwasher Friendly baffles for easy clean-up.
- Clean Filter Indicator reminds the homeowner when it's time for cleanup.

### PRODUCT SPECIFICATIONS

2 - 600 CFM HIGH PERFORMANCE CENTRIFUGAL INTERNAL BLOWERS

SUPPORTS HORIZONTAL AND VERTICAL EXHAUST

(4) LED LAMPS

STAINLESS STEEL

### TECHNICAL INFORMATION

ELECTRICAL REQUIREMENTS 120VAC/60HZ/9AMP

DIMMABLE LED LIGHTS 120V, 7.5W

### DIMENSIONS & WEIGHT

APPLIANCE DIMENSIONS (W X D) (IN.) 47 7/8" X 25 1/2"

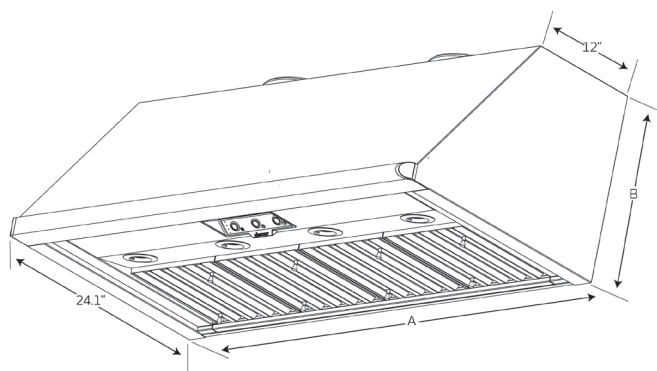
### ACCESSORIES

BAFFLE FILTERS (INCLUDED) AWHBF4

MESH FILTERS (OPTIONAL) AWHMF4

### APPLIANCE DIMENSIONS

MODEL	DIM "A"	DIM "B"
HWHE4812	47.875"	12"
HWHE4818	47.875"	18"



All tolerances:  $\pm$  1/16 (+/-1.6MM) unless otherwise stated.

\*\*Warranty: Limited , parts and labor for one year



## 36-INCH WALL HOODS

HWHE36 | HERITAGE COLLECTION



### AVAILABLE MODELS

- HWHE3612S 36" Heritage Wall Hood 12" Height
- HWHE3618S 36" Heritage Wall Hood 18" Height

### FEATURES & BENEFITS

- Epicure Style Hood with stainless steel baffles.
- Seamless Canopy Design enhances kitchen design by minimizing unfinished edges.
- Elegant Control Panel with LED backlit buttons for easy control of lights, fan speed and timer.
- Four Speed Fan provides great performance while minimizing noise.
- Auto ON turns hood on automatically if high temperatures are sensed.
- LED Lighting provides energy efficiency and a bright cooking area.
- Dishwasher Friendly baffles for easy clean-up.
- Clean Filter Indicator reminds the homeowner when it's time for cleanup.

### PRODUCT SPECIFICATIONS

600 CFM HIGH PERFORMANCE CENTRIFUGAL INTERNAL BLOWER

SUPPORTS HORIZONTAL AND VERTICAL EXHAUST

(3) LED LAMPS

STAINLESS STEEL

### TECHNICAL INFORMATION

ELECTRICAL REQUIREMENTS 120VAC/60HZ/9AMP

DIMMABLE LED LIGHTS 120V, 7.5W

### DIMENSIONS & WEIGHT

APPLIANCE DIMENSIONS (W X D) (IN.) 35 7/8" X 25 1/2"

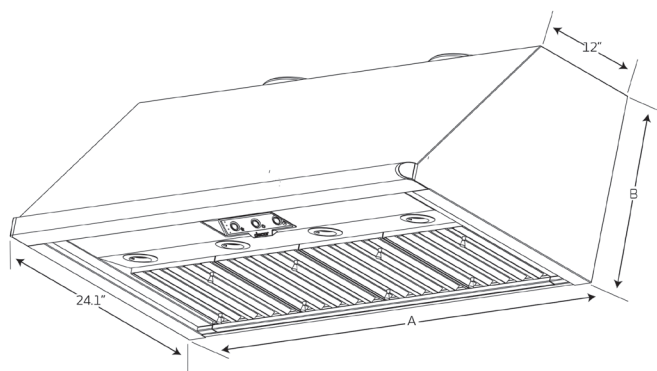
### ACCESSORIES

BAFFLE FILTERS (INCLUDED) AWHBF3

MESH FILTERS (OPTIONAL) AWHMF3

### APPLIANCE DIMENSIONS

MODEL	DIM "A"	DIM "B"
HWHE3612	35.875"	12"
HWHE3618	35.875"	18"



All tolerances:  $\pm 1/16$  (+/-1.6MM) unless otherwise stated.

\*\*Warranty: Limited , parts and labor for one year



## 30-INCH WALL HOODS

HWHE30 | HERITAGE COLLECTION



### AVAILABLE MODELS

- HWHE3012S 30" Heritage Wall Hood 12" Height
- HWHE3018S 30" Heritage Wall Hood 18" Height

### FEATURES & BENEFITS

- Epicure Style Hood with stainless steel baffles.
- Seamless Canopy Design enhances kitchen design by minimizing unfinished edges.
- Elegant Control Panel with LED backlit buttons for easy control of lights, fan speed and timer.
- Four Speed Fan provides great performance while minimizing noise.
- Auto ON turns hood on automatically if high temperatures are sensed.
- LED Lighting provides energy efficiency and a bright cooking area.
- Dishwasher Friendly baffles for easy clean-up.
- Clean Filter Indicator reminds the homeowner when it's time for cleanup.

### PRODUCT SPECIFICATIONS

600 CFM HIGH PERFORMANCE CENTRIFUGAL INTERNAL BLOWER

SUPPORTS HORIZONTAL AND VERTICAL EXHAUST

(2) LED LAMPS

STAINLESS STEEL

### TECHNICAL INFORMATION

ELECTRICAL REQUIREMENTS 120VAC/60HZ/9AMP

DIMMABLE LED LIGHTS 120V, 7.5W

### DIMENSIONS & WEIGHT

APPLIANCE DIMENSIONS (W X D) (IN.) 29 7/8" X 25 1/2"

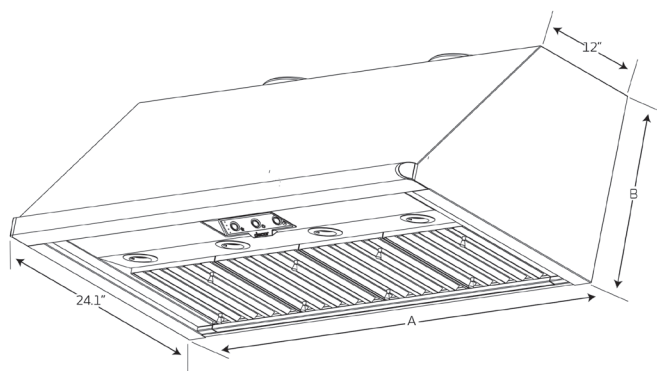
### ACCESSORIES (OPTIONAL)

BAFFLE FILTERS (INCLUDED) AWHBF2  
AWHBF3  
AWHBF4

MESH FILTERS (OPTIONAL) AWHMF2

### APPLIANCE DIMENSIONS

MODEL	DIM "A"	DIM "B"
HWHE3012	29 7/8"	12"
HWHE3018	29 7/8"	18"



All tolerances:  $\pm 1/16$  (+/-1.6MM) unless otherwise stated.

\*\*Warranty: Limited, parts and labor for one year