

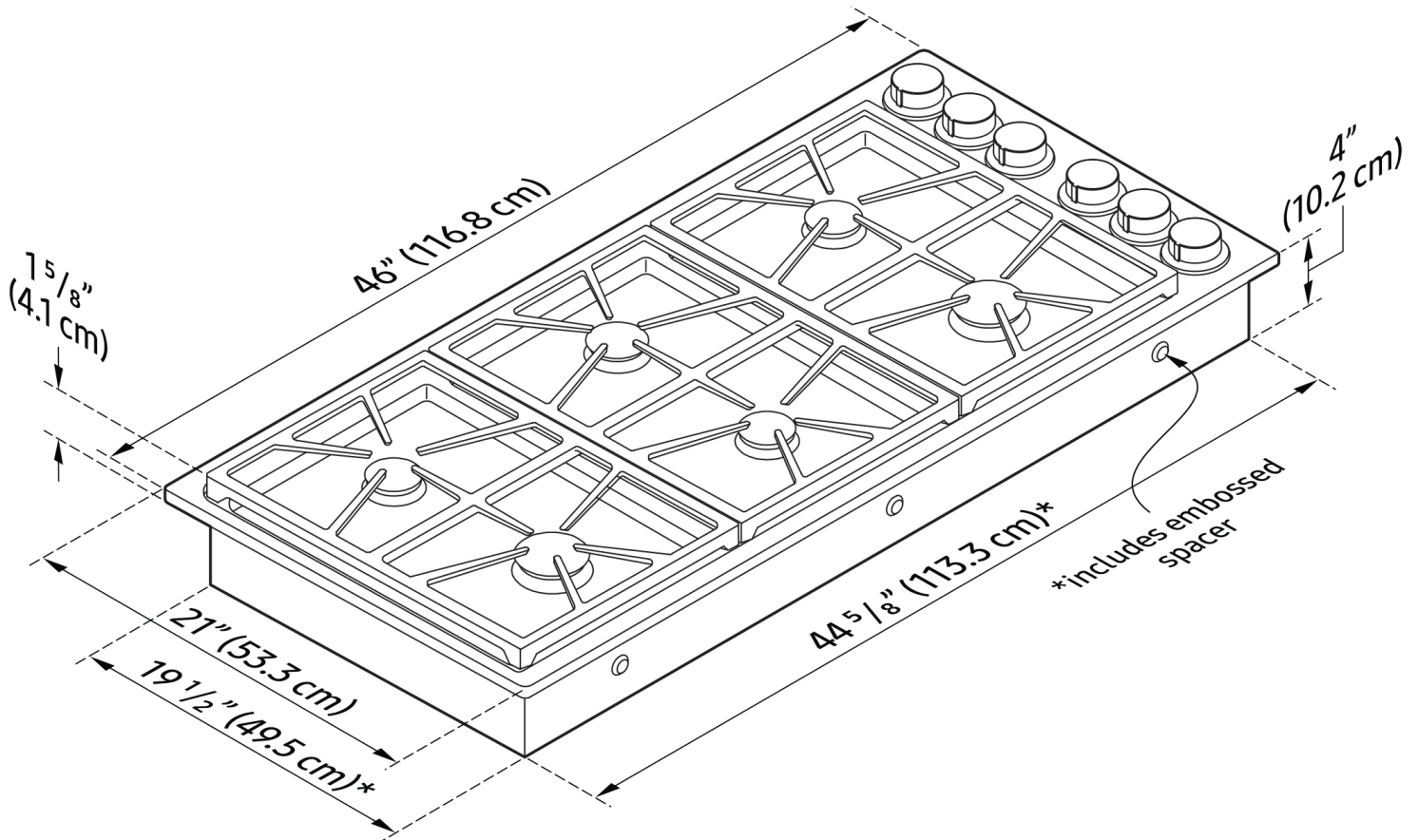


Heritage® 46" Wide Drop-In Gas Cooktop

PLANNING GUIDE

WARNING

- Observe all governing codes and ordinances during planning/ installation.
- Contact the local building department for details. This cooktop must be installed as specified in its installation instructions.





Heritage® 46" Wide Drop-In Gas Cooktop

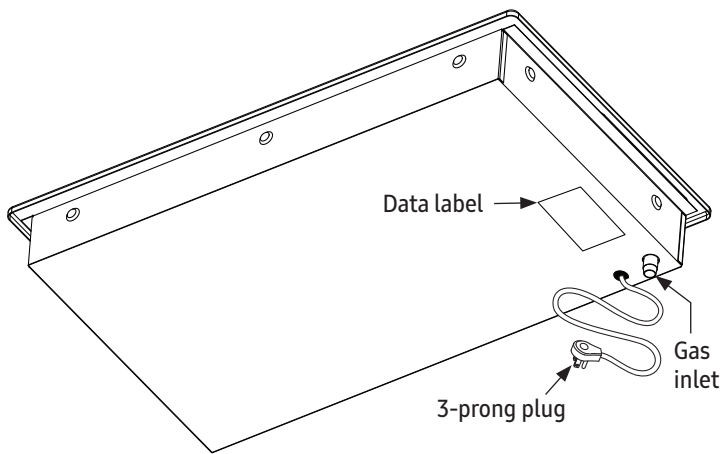
PLANNING GUIDE

Electrical Requirements

WARNING

To prevent electric shock, the power supply must meet the given specifications. The owner shall ensure that the electrical service meets requirements and that the power outlet is properly installed by a licensed electrician.

- The cooktop has a 40-in. power cord with 3-prong grounding plug on the chassis' bottom right-rear corner.



- The cooktop must be connected to a dedicated, grounded 3-prong electrical outlet installed by a licensed electrician.
- The electrical installation, including supply-wire size and grounding, must be done according to National Electric Code ANSI/NFPA 70* and local codes and ordinances. A copy of this standard is available from:
National Fire Protection Association
1 Batterymarch Park
Quincy, MA 02269-9101
- The correct voltage, frequency, and amperage must be supplied to the electrical outlet according to the data label (see previous graphic).
- See the **Gas/Electrical Requirements** table (this page).
- Choose an easily accessible electrical outlet so the cooktop can be unplugged for service/maintenance.

Gas-Supply Requirements

- Ensure the cooktop is correct for the gas (natural or liquid propane) provided. If using the cooktop above 4000 ft. (1219 m) elevation, ensure it is equipped for high-elevation operation.
- Units equipped for liquid propane have "LP" in the model number on the product data label (previous graphic).
- Units equipped for high-elevation use have an "H" at the end of the model number on the product data label.
- Install the cooktop according to local building codes; if none exist, install the appliance according to the National Fuel Gas Code ANSI Z223.1/NFPA 54.
- An external manual shut-off valve must be installed between the gas inlet and cooktop so gas to the appliance can be turned on/off.
- The cooktop comes with its own regulator, which must be installed in the gas line from the cooktop gas inlet to the gas shut-off valve. Use only the regulator provided.
- The cooktop has a 3/4-in. regulator approved for connection to a 1/2-in. house gas supply.
- The cooktop gas connection is on the chassis bottom in the right-rear corner (previous graphic).

Gas/Electrical Requirements*

	HPCT466G/NG	HPCT466G/LP
Gas type	Natural	Liquid propane
Manifold pressure	4" water column	10" water column
Min. gas-supply pressure	5" water column**	11" water column**
Max. gas-supply pressure	1/2 psi	1/2 psi
Total connected load	0.25 Amp. (0.03 kW)	0.25 Amp. (0.03 kW)
Circuit requirement	120 Vac, 60 Hz, 15 Amp	120 Vac, 60 Hz, 15 Amp
*This electrical/gas data is for reference only; in case of conflict, the data on the product label takes precedence over the data in this table. **The gas-supply pressure for testing the regulator setting shall be at least 1" water column (249 Pa) above the specified manifold pressure.		



Heritage® 46" Wide Drop-In Gas Cooktop

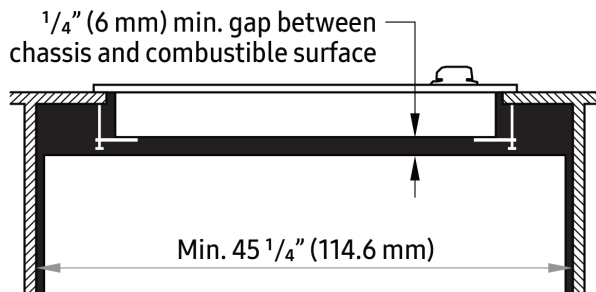
PLANNING GUIDE

Cabinet and Countertop Layout

⚠ WARNING

- To reduce risk of personal injury from reaching over a hot cooktop, avoid cabinet storage over the cooktop.
- Failure to meet or exceed the maximum and minimum dimensions/clearances as instructed may cause a fire hazard.
- Follow the countertop manufacturer's instructions regarding all aspects of countertop installation.

- Carefully check the cooktop installation site. Situate the cooktop away from drafts and wet areas.
- Use the cooktop with a suitable vent hood or approved Dacor downdraft.

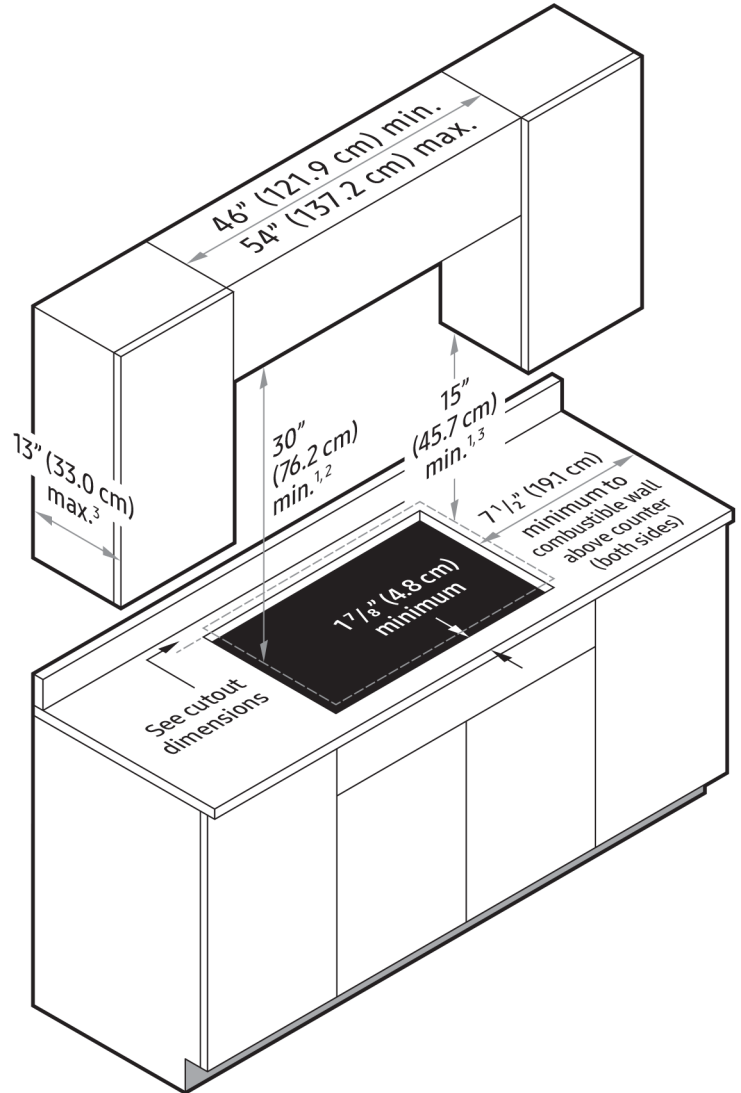


Installation must allow:

- at least 1/4" (6 mm) clearance between the bottom of the cooktop chassis and all combustable surfaces, including the edges and corners of drawers under the cooktop.
- clearance for hold-down brackets
- The gas supply piping, gas shut-off valve, and electrical outlet must not interfere with the installed cooktop.
- If installing an appliance below the cooktop, allow for routing of utilities behind it.
- access to the gas shut-off valve and regulator without moving the cooktop.
- the 40" (101.6 cm) power cord to reach an electrical outlet, and outlet to be accessible without moving the cooktop.
- access to the cooktop bottom for service/maintenance. (Do not install fixed shelving below the cooktop.)

Downdraft Compatibility

If installing the cooktop with a downdraft, use only the approved Dacor model numbers PRV46 or RV46. (See Pg. 4.)



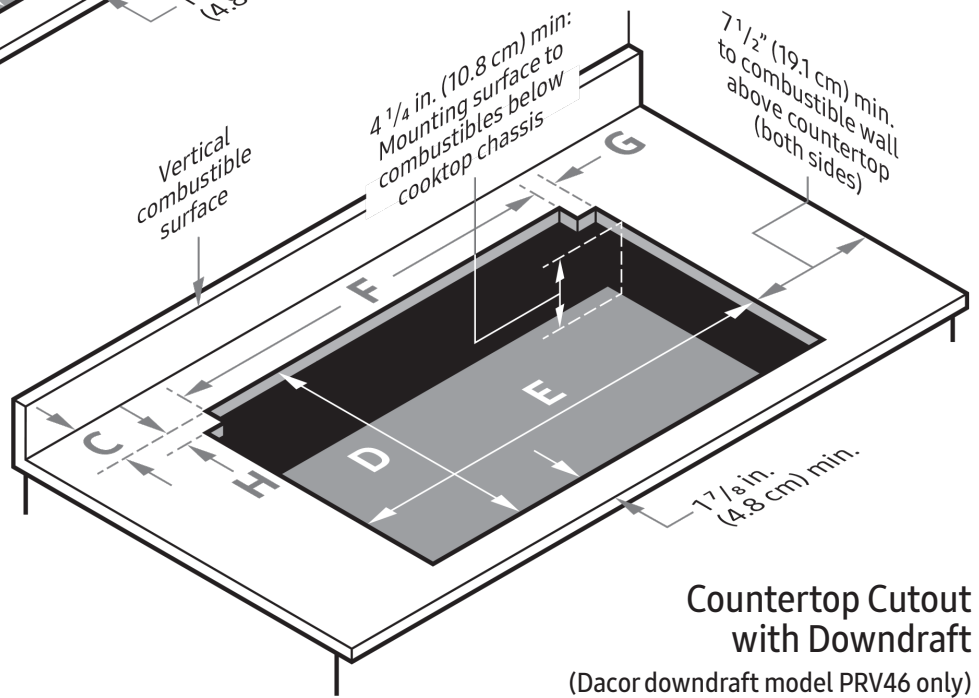
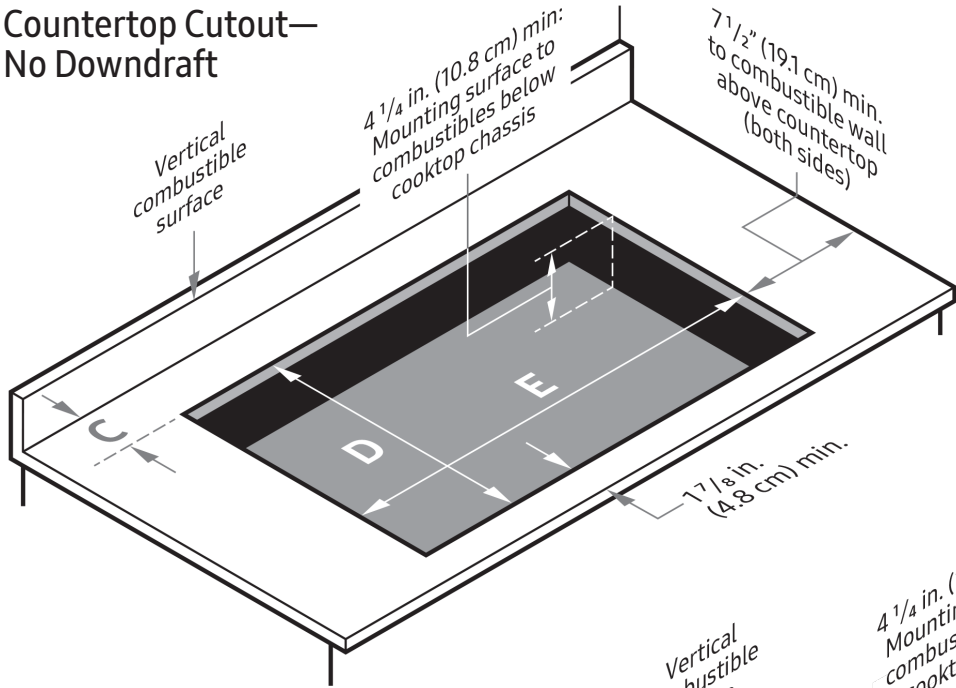
Callout	Description
1	Measured from top of cooktop grate
2	If installing with an overhead vent hood, also check hood specifications for minimum required clearances.
3	Not applicable for cabinets more than a horizontal distance of 6" (15.2 cm) from edge of cooktop; allow 7 1/2" (19.1 cm) from edge of cutout.



Heritage® 46" Wide Drop-In Gas Cooktop

PLANNING GUIDE

Countertop Cutout— No Downdraft



Countertop Cutout with Downdraft (Dacor downdraft model PRV46 only)

CUTOUT TYPE AND DIMENSIONS						
Configuration	C—min.	D	E	F	G	H
HPCT466G (no downdraft)	2 7/8" (7.3 cm)	19 3/4" (50.2 cm)	44 1/2" (113.0 cm)	N/A	N/A	N/A
HPCT466G w/downdraft PRV46	3/8" (1.0 cm)	22 1/2" (57.2 cm)*	44 1/2" (113.0 cm)	43 1/2" (110.5 cm)	5/8" (1.6 cm)	2 5/8" (6.7 cm)**

*Total cutout depth accommodates cooktop and downdraft; **Notch depth included in total cutout depth (D). Do **NOT** add notch depth to total cutout depth (D).