



30-INCH EPICURE ALL-GAS RANGE

HGER30 | HERITAGE COLLECTION



AVAILABLE MODELS

HGER30/NG/H	30" Heritage All Gas Epicure Range - Natural Gas High Altitude
HGER30/NG	30" Heritage All Gas Epicure Range - Stainless Steel Natural Gas
HGER30/LP/H	30" Heritage All Gas Epicure Range - Stainless Steel Liquid Propane High Altitude
HGER30/LP	30" Heritage All Gas Epicure Range - Stainless Steel Liquid Propane
HGER30C/NG/H	30" Heritage All Gas Epicure Range - Color Match Natural Gas High Altitude
HGER30C/NG	30" Heritage All Gas Epicure Range - Color Match Natural Gas
HGER30C/LP/H	30" Heritage All Gas Epicure Range - Color Match Liquid Propane High Altitude
HGER30C/LP	30" Heritage All Gas Epicure Range - Color Match Liquid Propane

FEATURES & BENEFITS

- 18K BTU SimmerSear™ Aluminum Burner
- 4 Dual-Stack Sealed Burners
- Illumina™ Knobs - White LED
- Smart Flame™
- Large Oven Capacity - 5.2 cu. ft.
- 3-Part Convection System - air baffle, fan and removable convection filter to precisely distribute heat for superior cooking results
- Continuous Grates
- Self-Cleaning Oven
- SoftShut™ Hinges
- Downdraft Compatible

ADDITIONAL FEATURES

CLEANING TYPE	SELF CLEAN
TYPE OF GRATE	CONTINUOUS CAST IRON
CAVITY	BLACK ENAMEL COATING
OVEN RACK POSITIONS	6
LIGHTING	LED & HALOGEN

WARRANTY

LIMITED, PARTS AND LABOR	1 YEAR
--------------------------	--------

ACCESSORIES (INCLUDED)

GLIDERACK™	1
STANDARD RACK	1
REMOVABLE CONVECTION FILTER	1
BLACK PORCELAIN BURNER CAPS	4/EA

ACCESSORIES (OPTIONAL)

COOKIE SHEETS (SET OF 3)	ACSRO303
REMOVABLE NON-STICK GRIDDLE	AG30
REMOVABLE NON-STICK SEARING GRILL	AEGR30
BAKING STONE	ABS16
BROIL/ROASTING PAN W/GRILL & V RACK	AORPVR
STAINLESS STEEL BACKGUARD 9"	APB30G9
STAINLESS STEEL BACKGUARD 11/2"	APB30GLP

GENERAL PROPERTIES

OVEN CAPACITY (CUBIC FEET)	5.2
COOKING MODES	CONVECTION BAKE; BAKE; CONVECTION BROIL; BROIL

OVEN PERFORMANCE

HIDDEN STAINLESS STEEL BAKE BURNER	24,000 BTU
INFRARED CERAMIC BROIL GAS BURNER	18,000 BTU

BURNER PERFORMANCE

TOTAL NUMBER OF COOKTOP BURNERS	4 DUAL STACK ALUMINUM BURNERS
LEFT FRONT (BTU)	18,000 DUAL (SIMMER/SEAR)
LEFT REAR (BTU)	9,500 STACK DUAL (SIMMER)
RIGHT FRONT (BTU)	15,000 STACK DUAL (SIMMER)
RIGHT REAR (BTU)	15,000 STACK DUAL (SIMMER)
SEALED BURNERS	YES
PERMA-FLAME™ (AUTO RE-IGNITION)	YES
SMART FLAME™	YES

CONTROL FEATURES

LED (WHITE)	YES
NUMBER OF KNOBS	5 KNOBS
OVEN CONTROL METHOD	KNOBS
ILLUMINA™ BURNER KNOBS	YES
HIGHLIGHTING COLOR	WHITE
TEMPERATURE (F/C)	YES

TECHNICAL DETAILS

CIRCUIT BREAKER (A)	15 AMPS
VOLTS (V)	120 VAC
FREQUENCY (HZ)	60 HZ
ENERGY SOURCE	GAS AND ELECTRICAL
PLUG TYPE	GROUNDING, DEDICATED, 3-PRONG ELECTRICAL OUTLET
GAS TYPES	NATURAL GAS NATURAL GAS (HIGH ALTITUDE) LIQUID PROPANE LIQUID PROPANE (HIGH ALTITUDE)

DIMENSIONS & WEIGHT

APPLIANCE DIMENSIONS (H X W X D) (IN.)	36 1/8 X 29 7/8 X 26 7/8
REQUIRED CUTOUT SIZE (W X D) (IN.)	30" X 24"

dacor

30-INCH PRO ALL-GAS RANGE

APPLIANCE DIMENSIONS

30"

A (WIDTH)	29 7/8" (75.9CM)
B (DEPTH)	24" (60.1CM)
C (HEIGHT)	30 3/16 TO 37 1/2 (91.9-95.3CM)

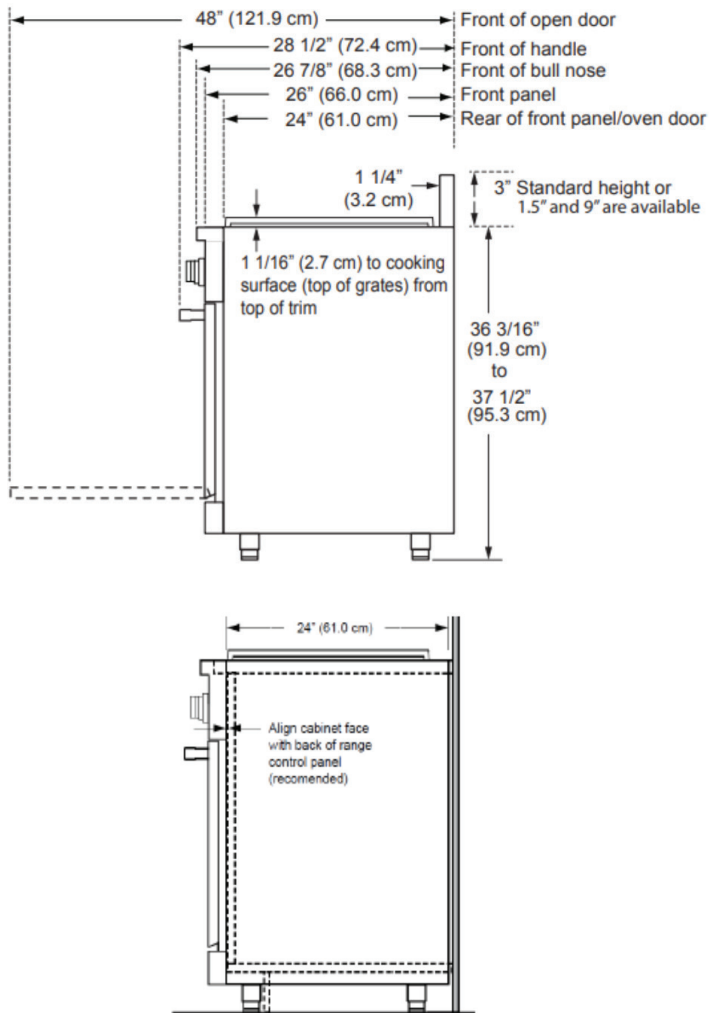
Product tolerances: \pm -1/16" (+/-1/6MM)

CABINET CUT-OUT DIMENSIONS

RANGE MODEL	F	G
HGER30	36" (91.4 CM)* 30" (76.2 CM)**	30" (91.4 CM)**

* Recommended
** Minimum

Cutout tolerances: +1/16" (+1.6 mm), -0 unless otherwise stated



View of Range Installed
(Side View)

