



## Installation Instructions

### Heritage<sup>®</sup> Series Gas Cooktop

Models HCT305G, HCT365G

# Table of Contents

<b>Important Safety Instructions</b> .....	1	Verifying Package Contents.....	7
Important Information .....	1	Installing the Cooktop.....	7
General Safety Precautions.....	2	Connecting the Gas Line.....	7
Electrical Requirements .....	3	Assembling the Burners.....	8
Gas-Supply Requirements.....	3	Placing the Grates.....	9
<b>Installation Specifications</b> .....	4	Verifying Proper Function.....	10
Product Dimensions .....	4	Troubleshooting.....	10
Cabinet and Countertop Layout .....	5	Installer Checklist .....	11
<b>Installation Instructions</b> .....	7	<b>Wiring Diagram</b> .....	11

## Before You Begin...

### Installer

- For safety reasons and to minimize problems, read this Installation Instruction manual thoroughly before installing the appliance.
- Leave the Installation Instructions manual with the consumer.
- Write the Product Data Label information in the Use and Care manual for the consumer's reference.

### Consumer

Keep the Installation Instructions manual for reference and for the local electrical inspector's use.

**Note:** Dacor® is not responsible for service required to correct a faulty installation.

## Customer Assurance Information

### If You Need Help...

...with installation and warranty questions and issues, contact your Dacor dealer or Dacor Customer Assurance.

When you call, have available the cooktop model and serial numbers, which are on the data label (see right; you may also want to write the numbers in this manual).

#### Dacor Customer Assurance

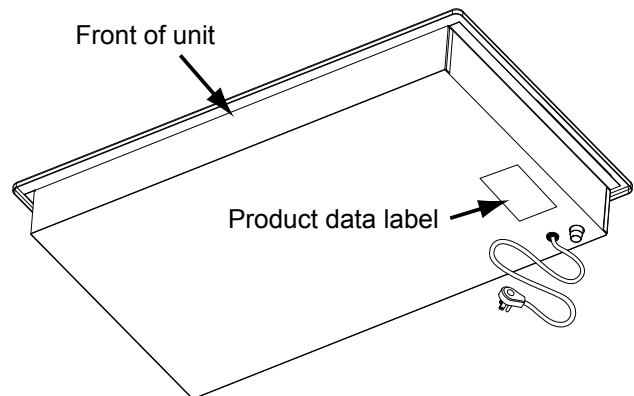
Phone: 833-35-ELITE (833-353-5483) USA, Canada

M – F, 5:00 a.m. to 5:00 p.m. Pacific Time

Website: [www.dacor.com/customer-care/contact-us](http://www.dacor.com/customer-care/contact-us)

### Data Label

The cooktop data label (on the underside of the chassis) features the appliance model/serial numbers, and electrical-/gas-supply requirements.



All specifications are subject to change without notice. Dacor assumes no liability for such changes.

© 2018 Dacor. All Rights Reserved.

# Important Safety Instructions

## Important Information

- The **Important Safety Instructions** and warnings in this manual cannot cover all possible conditions. Use common sense and caution when installing/maintaining/operating the cooktop.
- Always contact Dacor Customer Assurance (see info, previous page) about issues you cannot resolve.

## Safety Symbols, Labels, and Alerts

These inform you of the risk of death or serious injury.

### **DANGER**

Immediate hazard that **WILL** severely injure or kill.

### **WARNING**

Hazard/unsafe practice that **COULD** severely injure or kill.

### **WARNING**

IN CASE OF GREASE FIRE:

- (TAKING CARE NOT TO BURN YOURSELF) Smother flames with a close-fitting lid, cookie sheet, or metal tray, then turn off the burner. If flames do not extinguish immediately, **EVACUATE, AND CALL THE FIRE DEPARTMENT.**
- **NEVER PICK UP A FLAMING PAN.**
- **DO NOT USE WATER** (incl. wet dishcloths/towels); a violent steam explosion may result.
- Use a fire extinguisher **ONLY** if:
  - it is a Class ABC extinguisher that you know how to use
  - the fire is small and contained in its area of origin
  - the fire department is being called
  - you can fight the fire with your back to an exit.

### **POWER OUTAGES**

Do not try to use the cooktop during a power outage.

### **CALIFORNIA PROPOSITION 65 WARNING**

Burning gas emits by-products known by the state of California to cause cancer/reproductive harm. State law requires businesses to warn customers of potential exposure to such substances. To minimize exposure, ensure good ventilation, and follow instructions in the User Manual.

### **WARNING**

- Do not store or use combustible or explosive vapors/liquids/materials on or near the cooktop.
- Installation and service must be performed by a qualified technician, service agency, or gas supplier.
- If you smell gas:
  - Do not use or light any appliance.
  - Do not touch electrical switches or use any electrical devices (including the telephone) in your building.
  - From a neighbor's home, immediately call the gas supplier, and follow their instructions.
  - If you cannot contact the gas supplier, call the fire department.

### **AVERTISSEMENT**

- Ne stockez pas et n'utilisez pas de vapeurs/liquides/matériaux combustibles ou explosifs sur ou près de la table de cuisson.
- L'installation et l'entretien doivent être effectués par un technicien qualifié, une agence de service ou un fournisseur de gaz.
- Si vous sentez une odeur de gaz:
  - Ne pas utiliser ou allumer un appareil électrique.
  - Ne touchez pas aux interrupteurs électriques et n'utilisez aucun appareil électrique (y compris le téléphone) dans votre immeuble.
  - De la maison d'un voisin, appelez immédiatement le fournisseur de gaz, et suivez leurs instructions.
  - Si vous ne pouvez pas contacter le fournisseur de gaz, appelez les pompiers.

### **WARNING**

Do not use the cooktop as a space heater, which may lead to carbon monoxide poisoning and overheating of the appliance.

### **AVERTISSEMENT**

N'utilisez pas la table de cuisson comme appareil de chauffage, ce qui pourrait entraîner un empoisonnement au monoxyde de carbone et une surchauffe de l'appareil.

### **WARNING**

Do not cover slots, holes, or vents. Blocking air flow may cause carbon monoxide poisoning. Aluminum-foil linings may trap heat, causing a fire hazard. Keep all cooktop passages clear of grease/grime.

### **AVERTISSEMENT**

Ne couvrez pas les fentes, les trous ou les événements. Le blocage du flux d'air peut provoquer un empoisonnement au monoxyde de carbone. Les revêtements en aluminium peuvent emprisonner la chaleur et provoquer un incendie. Gardez tous les passages de la table de cuisson exempts de graisse / saleté.

## READ AND SAVE THESE INSTRUCTIONS

# Important Safety Instructions

## General Safety Precautions

To promote household safety when using the cooktop, follow basic safety precautions, including these precautions:

### **WARNING**

- Read the cooktop use and care manual completely before operating this appliance.
- Keep packaging materials away from children. (Plastic sheets/bags are suffocation hazards.)
- If you receive a damaged product, immediately contact your dealer/builder. Do not install/use a damaged appliance.
- This cooktop must be properly installed and grounded by a qualified installer per these instructions before use. The installer should show the customer the gas shut-off valve and power cord so they know where/how to turn off the gas supply and disconnect power to the cooktop.
- Do not install/repair/replace any cooktop component unless specifically recommended in the accompanying literature. A qualified technician should perform all other service.
- Before service/installation, turn off the gas supply at the gas-supply valve and unplug the power cord.
- Unplug the power cord before cleaning. (For cleaning instructions, see the User Manual.)
- Use the cooktop for cooking tasks consistent with a home appliance per the accompanying literature. (The cooktop is for home use only.)
- **DO NOT TOUCH THE COOKTOP SURFACE DURING/IMMEDIATELY AFTER USE.**
- Do not operate the cooktop if its power cord is damaged.
- Turn OFF the knobs before removing them from the valve stems.
- Clean the cooktop fully before operating it the first time; verify that all cooktop parts are dry before lighting a burner.
- Do not hang flammable or heat-sensitive objects above the cooktop.
- Do not climb/stand/kneel on the appliance.
- Do not leave the cooktop unattended while in use.
- Do not leave children unattended near the cooktop or let children play with/climb on the cooktop; do not store items of interest to children on/above the cooktop.
- Keep flammable items (e.g., paper, cardboard, plastic, cloth) away from the cooktop. Do not let potholders touch hot surfaces or gas burners.
- Do not wear loose or hanging apparel while using the cooktop. Do not let clothing touch the cooktop and surrounding areas during and immediately after use.
- If the cooktop is near a window, do not hang long curtains that could blow over the hot cooktop.
- Do not use towels or bulky cloth as pot holders.
- Do not heat closed/sealed containers on the cooktop. (The container may explode, causing personal injury.)
- When heated, non-stick coatings can harm birds. When using non-stick cookware, move pet birds to a separate, well-ventilated room.

The cooktop has a three-prong grounding plug to prevent possible electric shock. Plug it in a dedicated, grounded three-prong outlet. (The customer shall ensure the proper outlet is installed.)

- **DO NOT** cut/remove the third (ground) prong from the power cord.
- **DO NOT** use an adapter plug or extension cord.
- **DO NOT** use a frayed/damaged power cord.
- **DO NOT** plug in to an outlet with a ground fault interrupter (GFI).

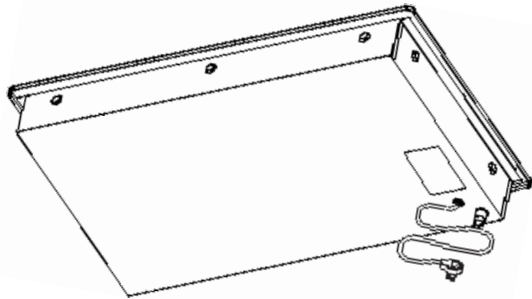
# Important Safety Instructions

## Electrical Requirements

### **WARNING**

To avoid an electric shock hazard, the power supply must meet the specifications below. The owner shall ensure the electrical service meets the requirements in this section and the outlet is installed by a licensed electrician.

- A 42" power cord with a 3-prong, grounding plug is attached to the chassis' bottom in the right-rear corner. You must insert the plug in a dedicated, grounded 3-prong electrical outlet installed by a licensed electrician.



**HCT305G/-365G (bottom)**

- The electrical installation, including minimum-supply wire size and grounding, must be done according to National Electric Code ANSI/NFPA 70\* and local codes and ordinances. You may obtain a copy of this standard from:  
National Fire Protection Association  
1 Batterymarch Park  
Quincy, MA 02269-9101
- The correct voltage, frequency, and amperage must be supplied to the electrical outlet according to the product data label on the chassis bottom. (See the Gas/Electrical Requirements table on this page.)
- Position the electrical outlet so the power cord may be easily disconnected if the unit needs service.

## Gas-Supply Requirements

- Verify that the cooktop matches your provided gas service (natural gas or liquid propane).
- If using the cooktop above 4000 ft. (1219 m) elevation, ensure it is equipped for high-altitude operation. (Such units have an "H" at the end of their model number on the product-data label; see the Product Data Label section.)
- Units equipped for liquid-propane have "LP" in the model number on the product-data label.
- Check local building codes for the proper installation method. If no local code exists, follow National Fuel Gas Code ANSI Z223.1/NFPA 54.
- An external, manual shut-off valve must be installed between the gas-supply line and the cooktop so gas to the cooktop can be shut on/off.
- Use only the provided regulator, which must be installed between the cooktop gas inlet and the gas shut-off valve.
- Because the regulator inlet accommodates a 3/4" gas line, and the cooktop inlet is a 1/2" male NPT fitting, a 3/4"-to-1/2" reducer is included with the cooktop. (See HCT305G/-365G at left.)

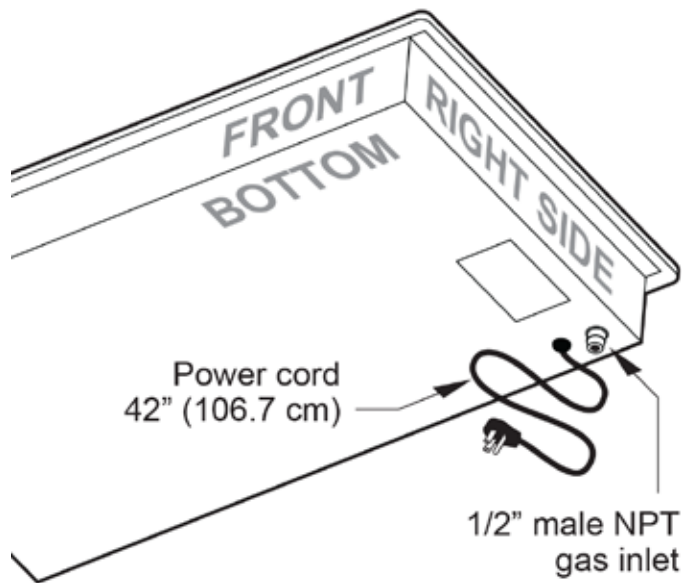
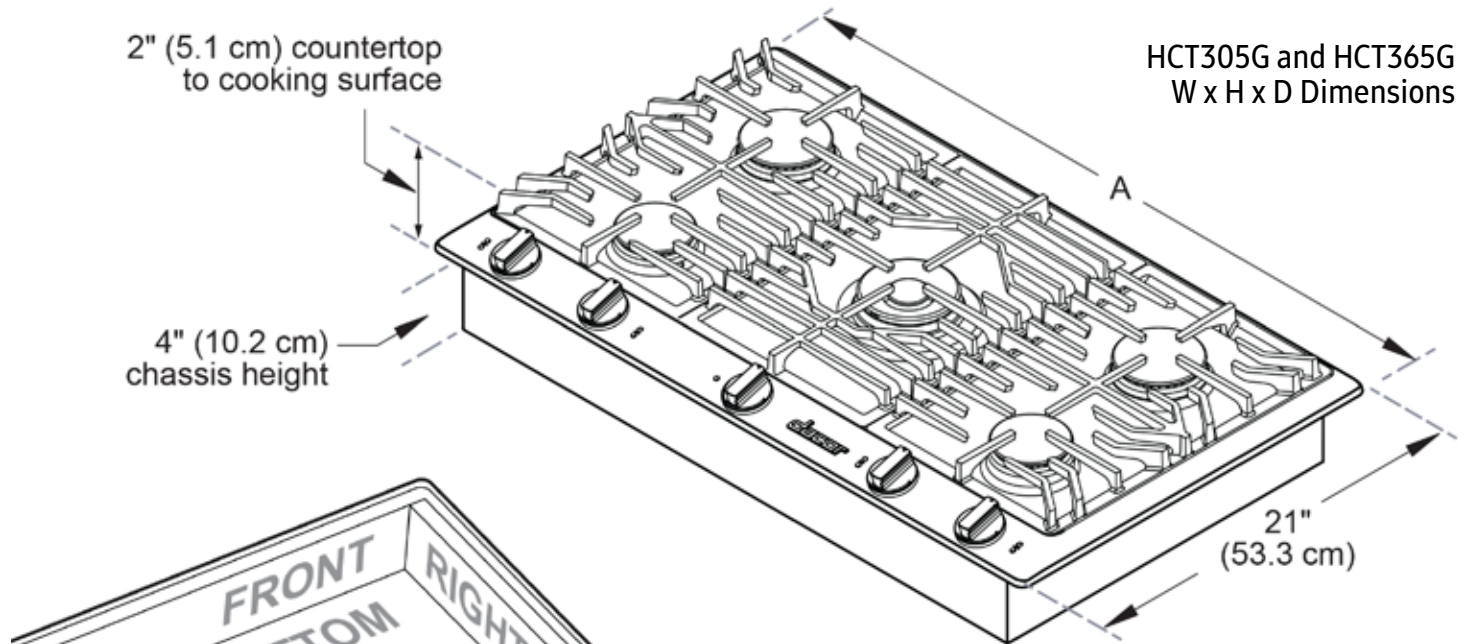
### Gas/Electrical Requirements\*

	HCT305G_NG HCT365G_NG	HCT305G_LP HCT365G_LP
Gas Type	Natural gas	Liquid propane
Manifold Pressure	5" Water column	10" Water column
Min. Gas-Supply Pressure**	6" Water column	11" Water column
Max. Gas-Supply Pressure	1/2 psi	
Total Connected Load	0.25 Amp. (30 Watts)	
Circuit Requirement	120 Vac, 60 Hz, 15 Amp.	
*This gas/electrical data is for reference only. If this data conflicts with the product-data label, use the data on the label.		
**The gas-supply pressure for testing the regulator setting shall be at least 1-in. water column (249 Pa) above the specified manifold pressure.		

# Installation Specifications

## Product Dimensions

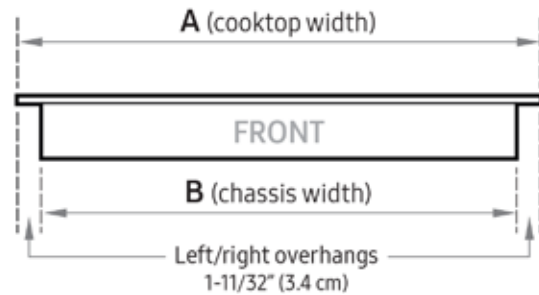
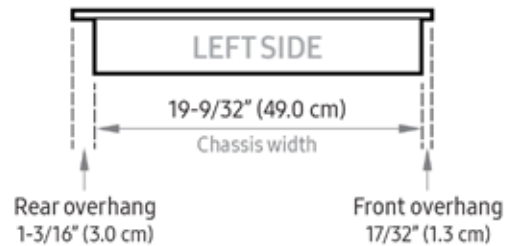
All tolerances:  $\pm 1/16"$  ( $\pm 1.6$  mm) unless otherwise noted.



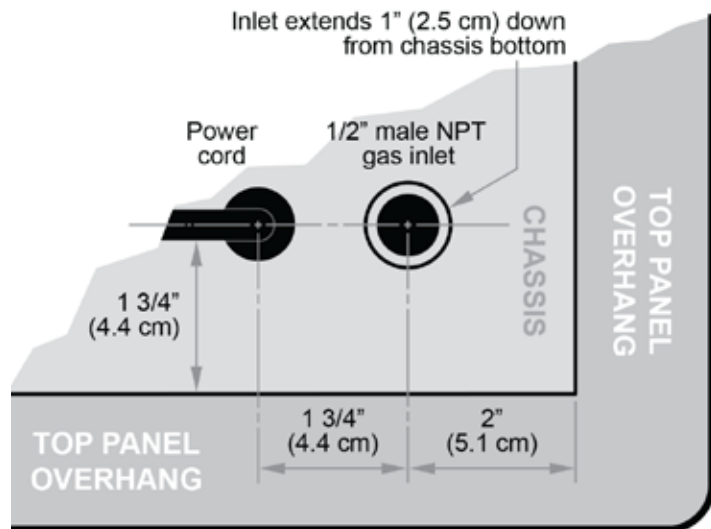
HCT305G/-365G Utility Locations

**⚠ WARNING**

Observe applicable codes and ordinances during planning/installation. Contact your local building authority for details.



Cooktop/Chassis Overhang Dimensions



HCT305G/-365G Utility Dimensions

Model	A (width)	B (width)
HCT305G	30" (76.2 cm)	27 5/16" (69.4 cm)
HCT365G	36" (91.4 cm)	33 5/16" (84.6 cm)

# Installation Specifications

## Cabinet and Countertop Layout

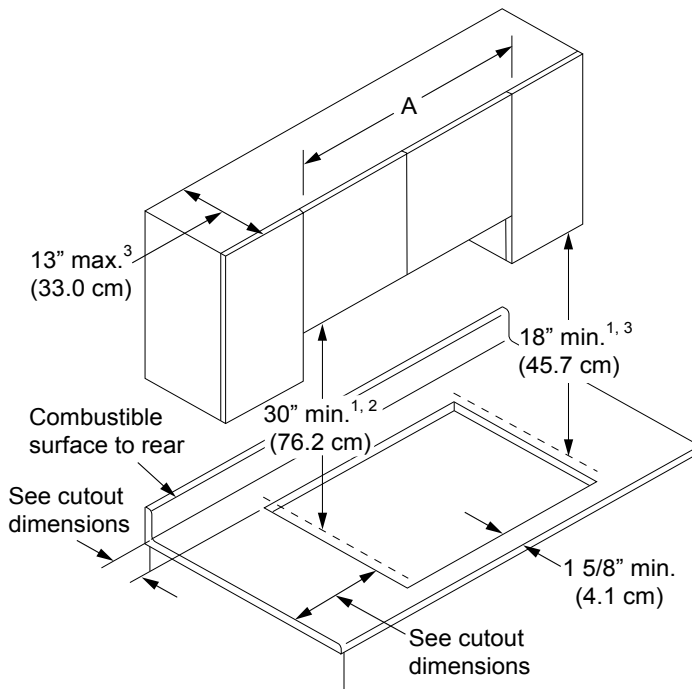
### WARNING

- To reduce risk of burn injury from reaching over a hot appliance, do not hang cabinets above the cooktop.
- Failure to meet or exceed the max/min dimensions and clearances in this manual may cause a fire hazard.
- Follow the countertop manufacturer's instructions regarding minimum corner radius, use of heat-reflective tape, corner reinforcement, etc.

- Carefully check the cooktop location site. For best performance, the cooktop should be near drafts from open doors/windows, and heating/air-conditioning vents.
- This appliance is to be used with a suitable vent hood or approved Dacor downdraft vent.

## Minimum Clearances Around the Cooktop

This section consists of illustrations/notes/tables for clearance allowances. All tolerances: +1/16" -0" unless otherwise noted.

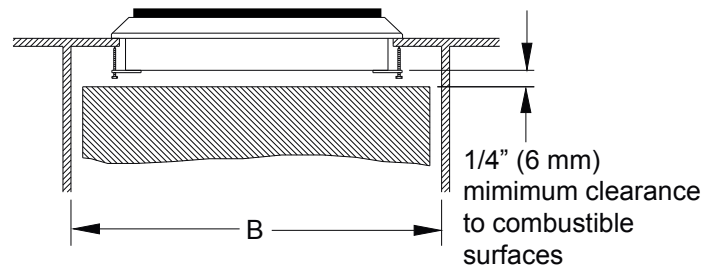


<sup>1</sup> Distance to combustible surfaces measured from cooking surface (top of cooktop grate).

<sup>2</sup> If installing with an overhead range hood, check the hood specifications for minimum required clearances.

<sup>3</sup> This specification does not apply for cabinets located greater than a horizontal distance of 5 1/2" (14.0 cm) from edge of cooktop. Allow 6 7/8" (17.5 cm) from cutout edge.

Model	(A) Minimum	(A) Recommended
HCT305G	30" (76.2 cm)	36" (91.4 cm)
HCT365G	36" (91.4 cm)	42" (106.7 cm)



\* Allows for clearance between hold down brackets

- Allow at least 1/4" (6 mm) clearance from the bottom of the cooktop chassis to all combustible surfaces (incl. the top edge of a drawer).

Under-Cabinet Clearances	
Model	(B) Minimum
HCT305G	29 1/4" (74.3 cm)
HCT365G	35 1/4" (89.5 cm)

- The gas-supply piping, gas shut-off valve, and the electrical outlet must be located so as not to impede cooktop installation. If installing an appliance below the cooktop, allow for gas/electrical routing behind it.

Installation must allow:

- access to the gas shut-off valve and regulator
- access to the electrical outlet; the 42" (106.7 cm) power cord must be able to reach its intended outlet.
- access to the cooktop bottom for service/inspection.
- space in the cabinet for the cooktop hold-down brackets.

Do not install a fixed shelf below the cooktop.

## Downdraft Compatibility

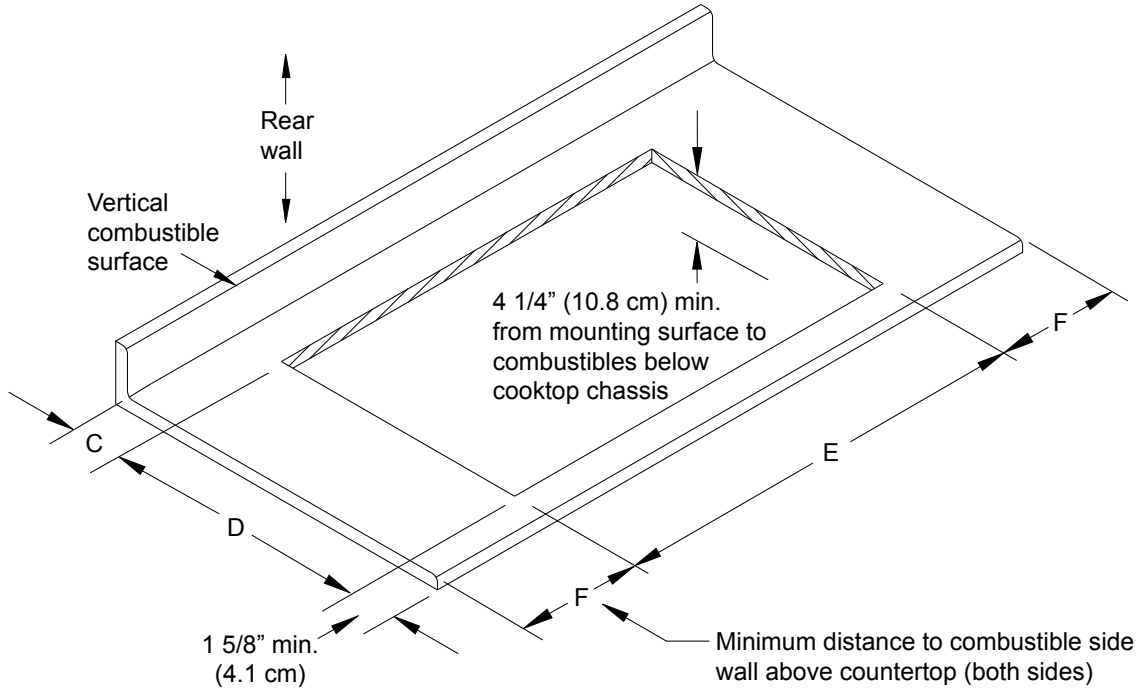
If installing the cooktop with a downdraft, use only the approved Dacor downdraft model numbers below.

Cooktop Model	Approved Downdraft
HCT305G	ERV3015
HCT365G	ERV3615

# Installation Specifications

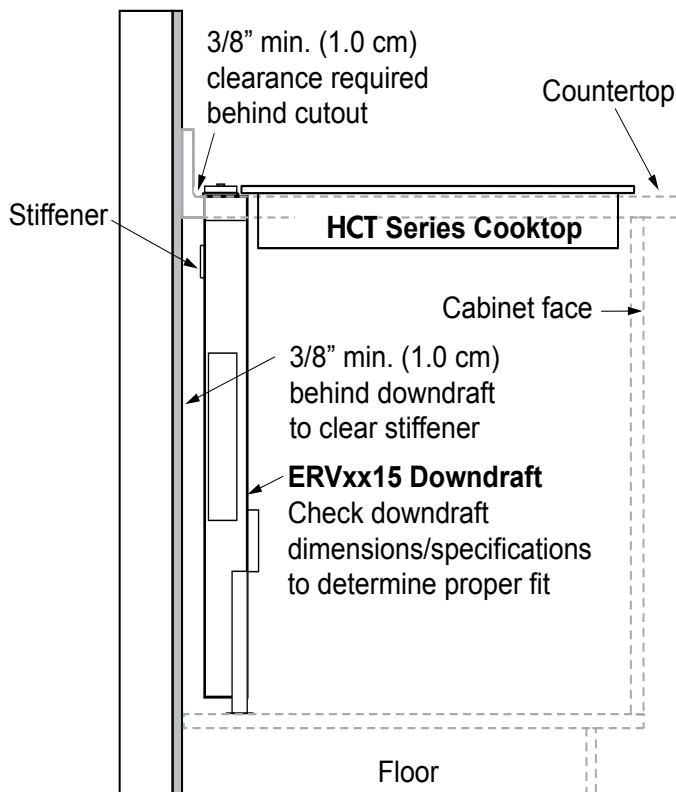
## Cutout Dimensions

All tolerances:  $\pm 1/16"$  ( $\pm 1.6$  mm) unless otherwise noted.



Configuration	(C) Minimum	(D)	(E)	(F) Minimum
HCT305G (no downdraft)	3 1/4" (8.3 cm)	19 5/8" (49.9 cm)	27 5/8" (70.2 cm)	6 7/8" (17.5 cm)
HCT305G (ERV3015 downdraft)	3/8" (1.0 cm)	22 3/4" (57.8 cm)		
HCT365G (no downdraft)	3 1/4" (8.3 cm)	19 5/8" (49.9 cm)	33 5/8" (85.4 cm)	
HCT365G (ERV3615 downdraft)	3/8" (1.0 cm)	22 3/4" (57.8 cm)		

## Cooktop with Downdraft: ERV Series





# Installation Instructions

## Verifying Package Contents

- Hold-down brackets (2)
- Grates (3)
- Burner sets (5)
- Gas-pressure regulator (1)
- Stainless-steel cleaner (1; stainless-steel models only)

If parts are missing, contact Dacor Customer Assurance. (See **If You Need Help...**, inside cover.)

## Installing the Cooktop

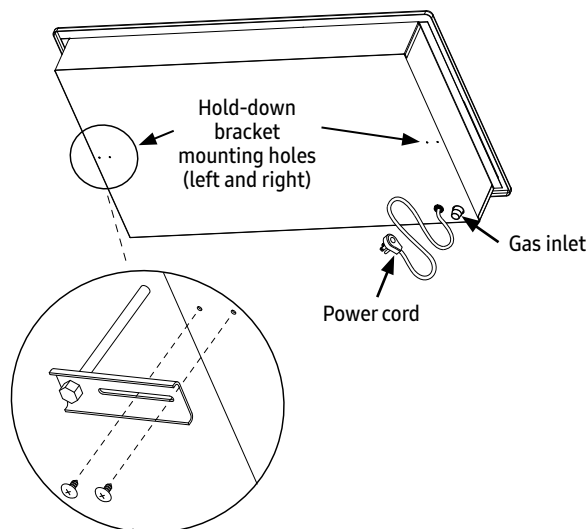
### **WARNING**

- Before proceeding, verify that the power supply meets the specifications on Page 3.
- To avoid damaging the gas-pressure regulator, install it only after the cooktop is mounted in its final position.

### **IMPORTANT**

- Do not overtighten the hold-down bracket bolts, as doing so may lead the dual gas burners to malfunction.
- Do not seal the cooktop to the countertop with hardening compound or caulk. The cooktop must be removable for servicing. The customer is financially responsible for removal of sealant to service the unit.

1. (If a downdraft will be used) Install the downdraft according to the downdraft installation instructions.
2. Lower the cooktop through the cutout and center it.
3. With the two provided hold-down brackets, secure the cooktop to the countertop as shown.



## Connecting the Gas Line

### **WARNING**

- First, ensure the gas supply meets specifications (inside cover).
- Install the included gas regulator before you install/use the cooktop.
- Ensure the regulator arrow points toward the cooktop.
- Do not overtighten the gas connections/fittings.
- Do not use Teflon tape or plumber's putty on flexible gas-line connections.
- Before use, test the gas lines for leaks as instructed. (Do not use a flame to check for leaks.)
- The gas-supply pressure to the regulator must never exceed ½ psi (3.5 kPa).
- Disconnect the cooktop and shut-off valve from the gas supply for pressure testing over ½ psi (3.5 kPa).
- The shut-off valve to the cooktop must be closed to isolate the cooktop from the gas supply during gas-supply piping-system pressure testing  $\leq$  ½ psi (3.5 kPa).
- For liquid propane installations, the LP tank must have its own high-pressure regulator besides the Dacor-supplied regulator.

1. Attach the gas-pressure regulator (included) to the gas inlet on the chassis bottom (see graphic at left).

### **NOTE**

- In tight spaces, you can install the regulator anywhere between the cooktop and gas-supply/shut-off valve.
  - For best results, attach the regulator as close as possible to the cooktop (to minimize gas-pressure loss).
2. Connect the regulator to the gas-supply/shut-off valve with a minimum 1/2" flexible gas line (not included).
  3. Check for gas leaks:
    - a. Turn all cooktop control valves OFF.
    - b. With a soap-and-water solution or gas-leak detector, check all lines and connections for gas leaks. (Ensure the gas-supply/shut-off valve is ON.)
    - c. Turn the gas supply/shut-off valve OFF.

# Installation Instructions

## Assembling the Burners

### WARNING

- Never operate the cooktop with burner parts removed.
- All burner air-mixture settings are done at the factory; do not try to adjust these settings..

Remove the burner heads, rings, caps, and grates from their packaging.

1. Assemble the burners as shown on this page:
  - a. Gather same-size components (i.e., large cap with large ring, etc).
  - b. Center, and turn each piece until it seats properly. (The burners will not function properly unless all components are properly seated.)

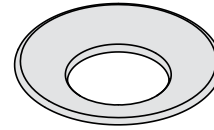
### NOTE

The burner base is permanently attached to the unit; it cannot be adjusted/removed.

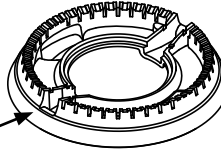
Inner burner cap  
(bottom)



Outer burner cap

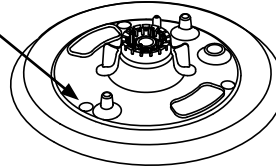


Burner ring



Line up  
indentations  
with pins

Burner base



SimmerSear™ Burner Assembly

Burner cap  
(bottom)



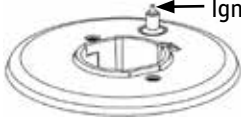
Burner ring



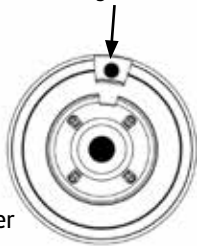
Burner head




Burner base



Igniter goes  
through hole



 CAUTION: Igniter  
tip is sharp

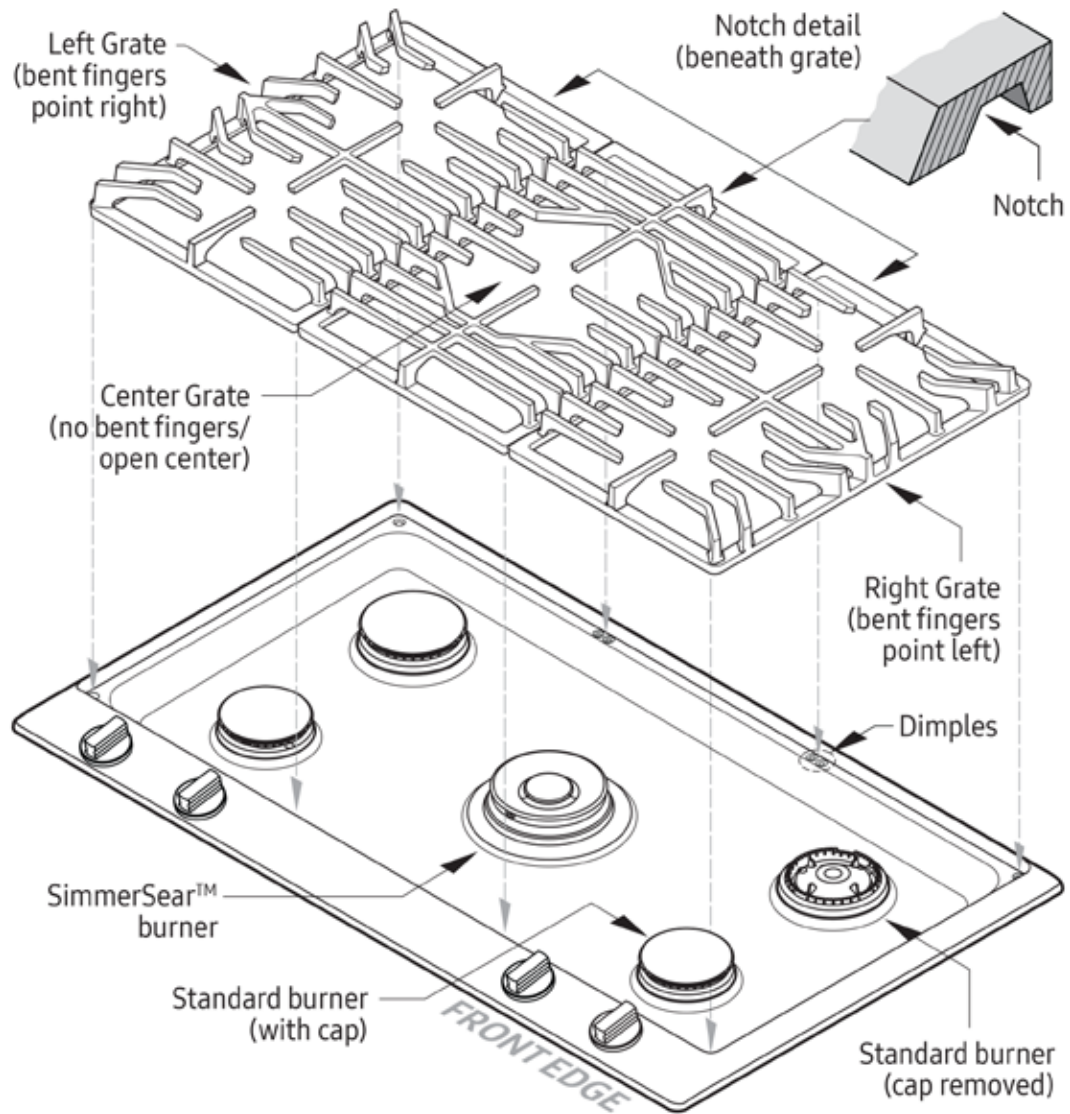
Standard Burner Assembly

# Installation Instructions

## Placing the Grates

When a grate is correctly installed, the tips of the four longest fingers center over the corresponding burner.

- ◆ Use the grate notches to place and orient the grates.
  - The notches beneath the grates fit the cooktop rear.
  - The notches on the grate sides fit the cooktop sides.
  - Gently set the grate legs in their corresponding dimples in the cooktop.



# Installation Instructions

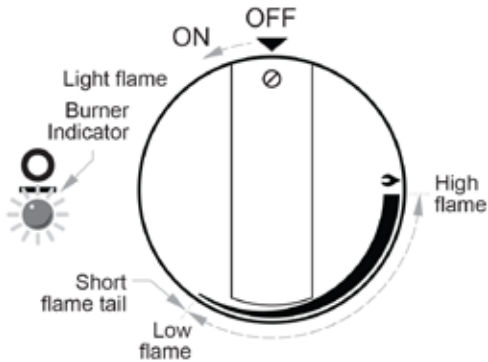
## Verifying Proper Function

Perform this procedure for all cooktop burners.

### **WARNING**

The cooktop must always be properly grounded when electrical power is applied.

1. Turn off power to the electrical outlet at the circuit breaker or fuse box.
2. Close the gas-supply valve.
3. Turn off all cooktop burner controls.
4. Plug in the power cord.
5. Turn on power to the electrical outlet at the circuit breaker or fuse box.
6. Press-turn a burner-control knob slowly counterclockwise to the flame icon (high flame).



- a. Verify that the corresponding burner igniter sparks (rapid tick-tick) and the burner indicator comes on.
  - b. Turn off the burner.
7. Turn the gas-supply valve ON.
  8. Verify that the gas flame ignites on all burners:
    - a. Press-turn a control knob to the flame icon.

### **NOTE**

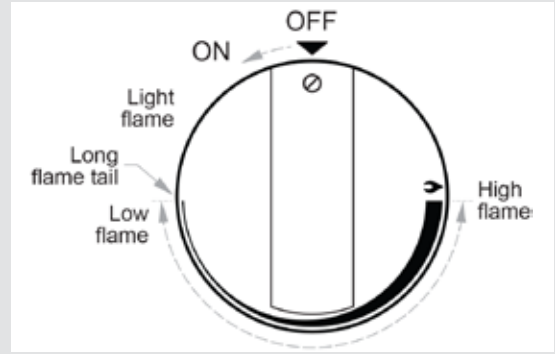
- If ignition does not occur within 4 seconds, turn the knob OFF, wait 5 minutes (for gas to dissipate), then repeat Step 8a.
- A proper flame burns steadily with a sharp, blue inner cone. The Smart Flame™ feature reduces the flame under the grate fingers to lengthen grate life.



- b. After ignition, turn the knob clockwise to the OFF position.

### **NOTE**

SimmerSear™ burner: Turn the control knob to the simmer setting, and ensure the low-level flame can be adjusted and the burner indicator illuminates.



## Troubleshooting

If the cooktop fails to function properly, review these steps:

- Verify that the cooktop receives power/gas.
- Verify that the cooktop is plugged in and power is turned on at the power source.
- Verify that all the burners are correctly assembled/seated.
- If the burner sparks after ignition, have a licensed electrician check the electrical outlet for correct grounding or reversed polarity.
- Repeat Step 8 of the Verification procedure.

If the appliance still does not work, do not try to repair the appliance, but contact Dacor Customer Assurance: 833-353-5483. Have the model and serial numbers available. (See the inside cover for this information.)

Dacor is not responsible for the cost of correcting problems caused by faulty installation.

# Installation Instructions

## Installer Checklist

### ⚠ IMPORTANT

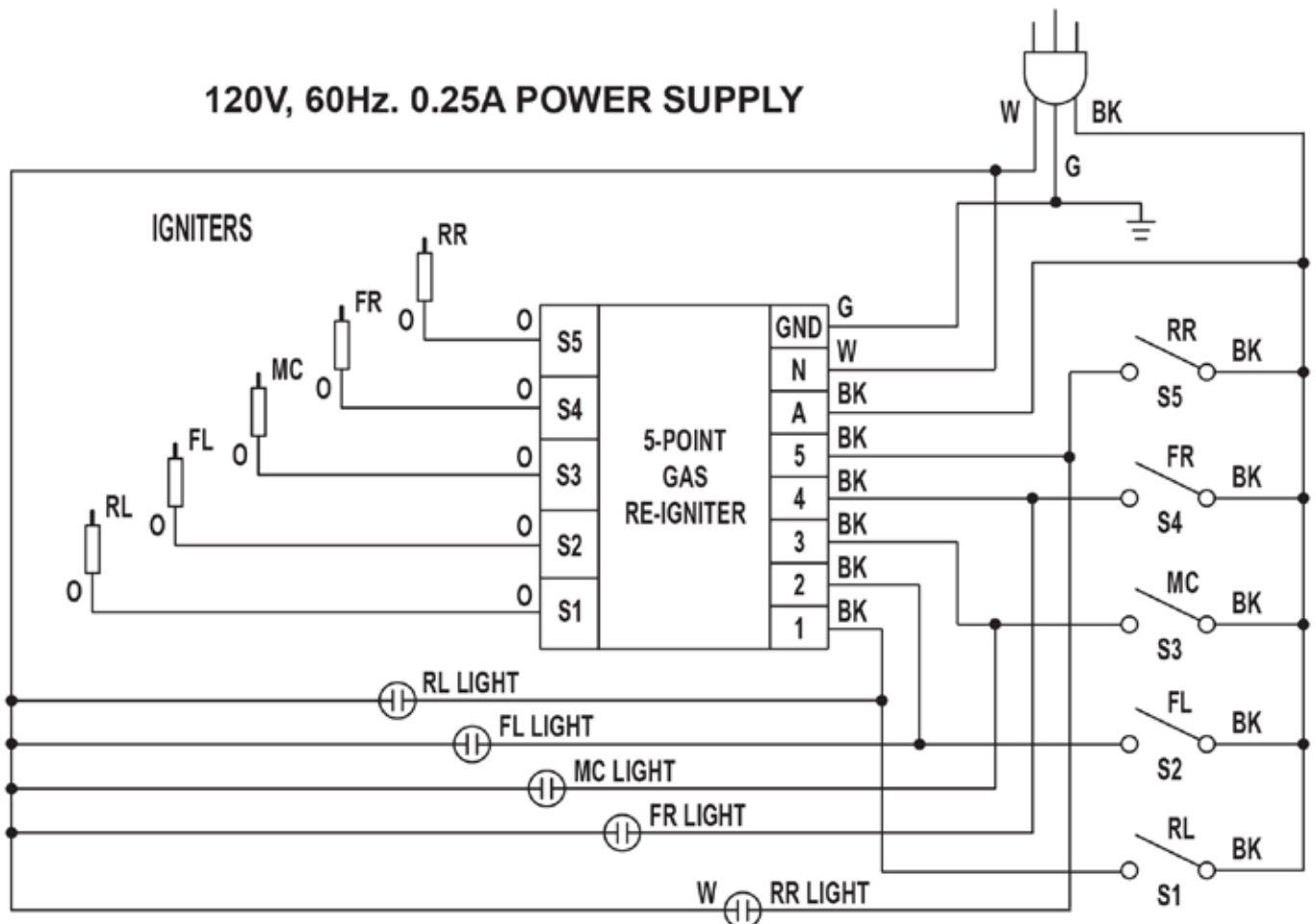
Though the installer should complete this checklist to ensure proper installation/function, the homeowner is ultimately responsible for the cooktop's proper installation.

- Is the cooktop's electrical outlet grounded/located as instructed and per applicable codes? (Pg. 3.)
- Is gas service to the cooktop located/installed per as instructed and per applicable codes? (Pg. 3.)
- Was the gas-supply inlet pressure verified to be within the maximums specified in this manual? (Pg. 3.)
- Is the cooktop secured with the provided hold-down brackets? (Pg. 8.)
- Is the cooktop connected to the gas supply as instructed and per applicable codes? Was the gas supply checked for leaks? (Pg. 7.)
- Are the burners/grates properly assembled? (Pg. 9.)
- Was proper function verified? (Pg. 11.)
- Has the warranty been activated on-line or the warranty card filled out completely and mailed?

## Wiring Diagram

### ⚠ WARNING

Because miswiring can cause malfunction and dangerous operation, label all wires before disconnection when servicing controls, then verify proper function after service.



HCT305G and HCT365G

# Notes

# Notes

***dacor***

LET THE SHOW BEGIN