

SAVE AND READ THESE INSTRUCTIONS

TESTED IN ACCORDANCE WITH THE LATEST EDITION OF ANSI/UL 858-2001 AND CAN/CSA-C22.2 NO. 64 STANDARD FOR HOUSEHOLD ELECTRIC COOKING AND LIQUID HEATING APPLIANCES.

CONVENTIONS USED IN THESE INSTRUCTIONS



WARNINGS:

Must be followed carefully to avoid personal injury or damage.



NOTES:

Contain helpful hints and tips to facilitate the installation.

IMPORTANT

1. Before beginning installation, please thoroughly read and become familiar with these instructions.
2. Installation and service must be completed by a qualified installer or service agency.
3. Installer: Please leave these Installation Instructions with the owner.
4. Owner: Please keep these instructions for local electrical inspector's use and for future reference.
5. Read the accompanying Use & Care Manual prior to operating this appliance.

TABLE OF CONTENTS

Verifying package contents	Page 2
Installation planning	Page 2
Overall dimensions	Pages 2-3
Cabinet preparation	Page 4
Electrical power supply requirements	Page 6
Installing the warming oven	Page 6
Electrical connection	Page 6
Verifying proper operation	Page 6

IMPORTANT SAFETY INSTRUCTIONS

WARNINGS:

1. Read all instructions before using the appliance.
2. This appliance must be grounded. Connect only to a properly grounded outlet. See “Grounding Instructions”.
3. Install or locate this appliance only in accordance with these installation instructions.
4. Use this appliance only for its intended use as described in this manual. Do not use corrosive chemicals or vapors in this appliance. This type of oven is specifically designed to heat and cook food. It is not designed for industrial or laboratory use.
5. As with any appliance, close supervision is necessary when used by children.
6. Do not operate this appliance if it has a damaged electrical cord or plug, if it is not working properly or if it has been damaged or dropped.
7. This appliance should be serviced only by qualified service personnel. Contact the nearest DACOR Authorized Servicer at (800) 772-7778, or at www.dacor.com for examination, repair or adjustment.
8. Do not cover or block any openings on the appliance.
9. Do not store or use this appliance outdoors, except as noted below. Do not use this product near water – for example, near a kitchen sink, in a wet basement or near a swimming pool, etc.

10. Do not immerse the electrical cord or plug in water.
11. Keep the electrical cord away from heated surfaces.
 - Some products, such as whole eggs, and sealed containers such as closed glass jars may explode and should not be heated in this oven.
 - To reduce the risk of fire in the oven cavity: Do not overcook food. Carefully attend the appliance if paper, plastic or other combustible materials are placed inside the oven.
 - If materials inside the oven should ignite, keep the oven drawer closed and shut off the power at the fuse or the circuit breaker panel.

NOTES:

1. The IOWO model is approved for use in outdoor applications and near water (bathrooms).
2. The IOWO, when installed as a towel warmer, must have the wire rack (supplied with the product) installed in the drawer bottom. Secure the rack with with a screw and clip supplied with the rack.

Verifying the Package Contents

- Use and Care manual
- Mousing screws
- Wire rack with mounting hardware (IOWO model only)

Installation Planning

A qualified technician must complete the installation of this built-in appliance. Proper installation is your responsibility.

Carefully check the location where the oven is to be installed. The oven should be placed for convenient access. Make certain that electrical power can be provided in the selected location.

Plan the installation so that all minimum clearances are met or exceeded. Dimensions shown provide minimum clearances, unless otherwise noted. Be certain that proper clearance is provided for the oven door when it is in the open position.

The specified minimum cabinet depth and width must be provided. The cabinet depth and width must completely enclose the recessed portion of the oven.

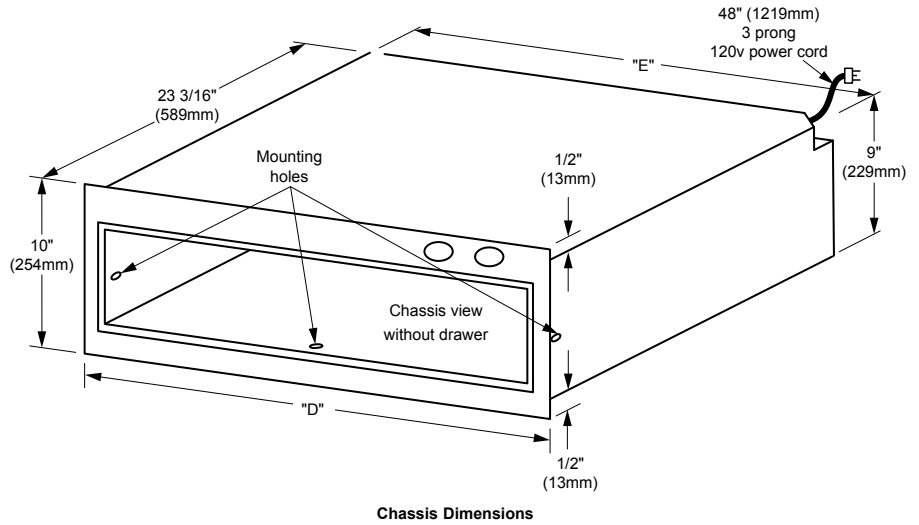
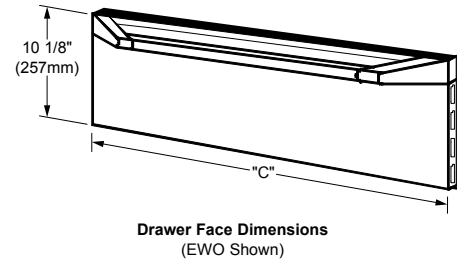
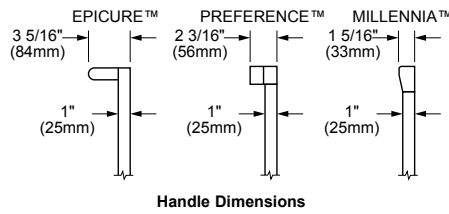
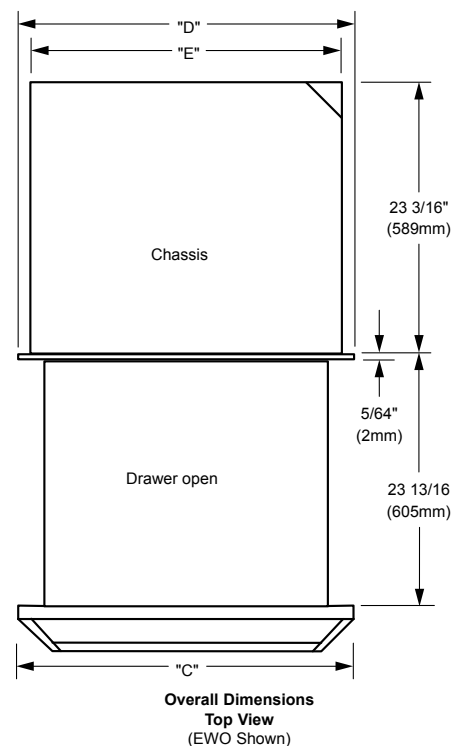
Cabinet cutout dimensions must be used as indicated. All contact surfaces between the appliance and the cabinet must be solid and level. The oven support platform must be flush with the bottom edge of the cabinet cutout.

Make certain that you have everything necessary to ensure a proper installation before proceeding.

NOTE:

All dimensional tolerances are + 1/16", - 0" unless otherwise stated.

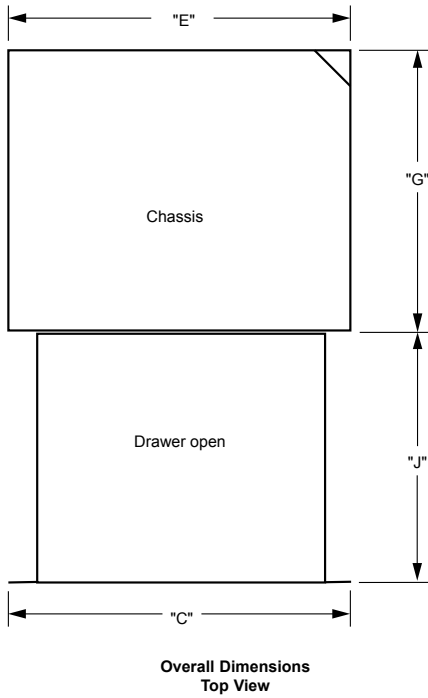
Overall Dimensions (EWO, PWO, MWO)



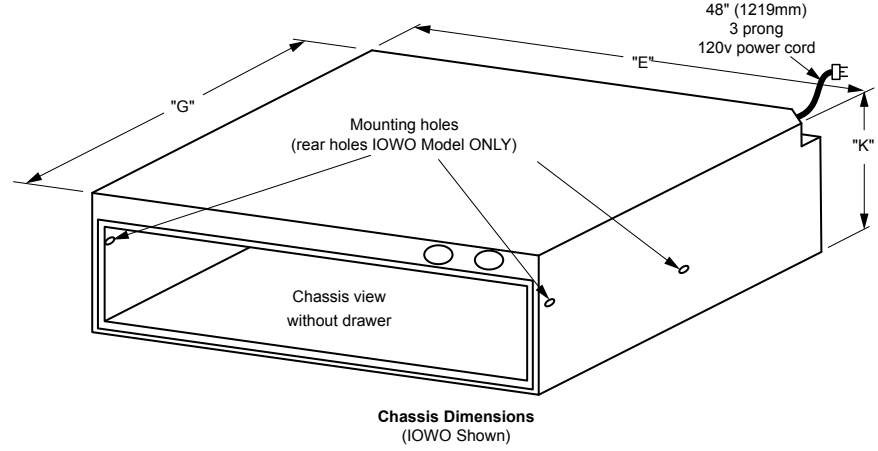
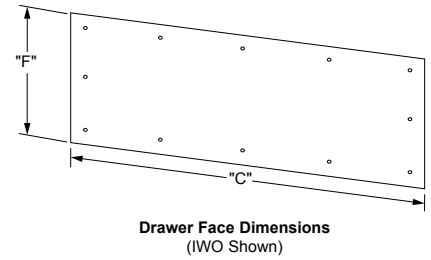
Warming Oven Model No.	Dimension "C" Drawer face width	Dimension "D" Chassis face width	Dimension "E" Chassis width
EWO24	23 15/16" (608mm)	23 5/8" (600mm)	22 3/16" (564mm)
EWO27 MWO27	26 15/16" (684mm)	26 5/8" (676mm)	25 3/16" (640mm)
EWO30 PWO30 MWO30	29 15/16" (760mm)	29 5/8" (752mm)	
EWO36	35 15/16" (913mm)	35 11/16" (906mm)	35 1/4" (870mm)

Warming Oven Overall Dimensions

**Overall Dimensions
(IWO, IOWO)**



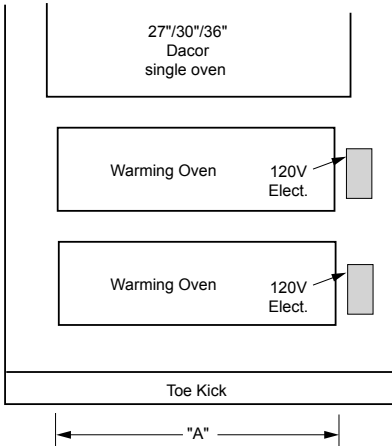
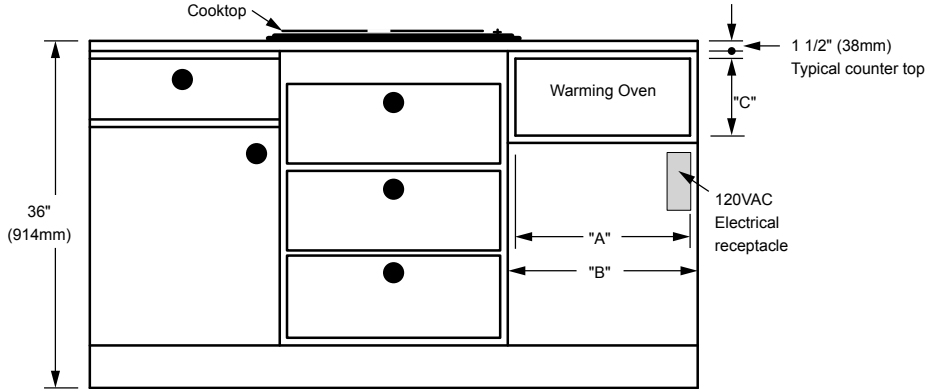
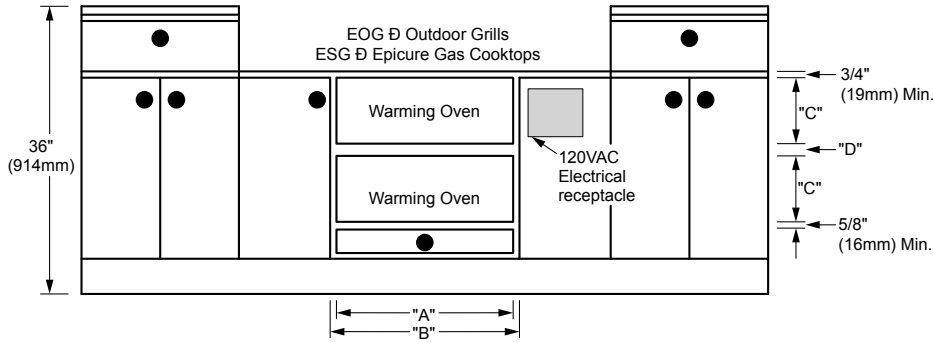
NOTE:
The IOWO (outdoor approved) Warming Ovens are designed to receive a custom drawer front supplied by others, or for the Epicure™ drawer front and handle; order accessory model number AEWP24 through your appliance dealer.



Warming Oven Model No.	Dimension "C" Drawer face width	Dimension "E" Chassis face width	Dimension "F" Drawer face height	Dimension "G" Chassis depth	Dimension "J" Drawer depth	Dimension "K" Chassis height
IOWO24	22 5/16" (567mm)	22 1/2" (572mm)	11 13/16" (300mm)	19 1/2" (495mm)	18 13/16" (478mm)	11 7/8" (302mm)
IWO24		22 3/8" (568mm)	8 15/16" (227mm)	23 1/16" (568mm)	23 13/16" (605mm)	9" (229mm)
IWO27	25 5/16" (643mm)	25 3/8" (645mm)				

Integrated Warming Oven Overall Dimensions

Cabinet Preparation



NOTES:

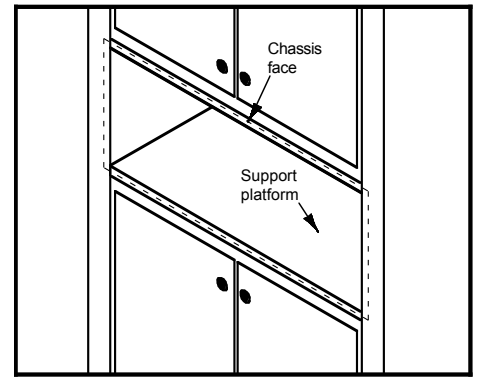
1. The IOWO and EWO36 models cannot be stacked.
2. The IOWO warming oven is not approved for installation under a wall oven.

Install the Support Platform in the Cabinet

Provide a platform (100lb. load capacity) within the cabinet upon which the warming oven will be supported. The platform must be installed level and straight. The top edge of the platform must be flush with the cutout at the front of the cabinet. There are no provisions to level the warming oven after it has been installed. 3/4" (19mm) thick plywood is recommended.

NOTE:

If the oven is not installed in a level fashion, the drawer may slide open on its own or may not seal tightly, allowing heat to escape and resulting in poor warming oven performance.



Warming Oven Model No.	Dimension "A" Cutout width	Dimension "B" Min. width to adjacent doors/drawers	Dimension "C" Cutout height	Dimension "D" Min. gap between cutouts
IOWO24	22 9/16" (573mm)	N/A	12 1/8" (308mm)	N/A
IWO24	25 1/2" (648mm)	24 1/4" (616mm)	9 1/8" (232mm)	1 1/16" (27mm)
EWO24		27 1/4" (692mm)		
EWO27				
IWO27				
EWO30				
PWO30		30 1/4" (768mm)		
MWO30	34 3/8" (873mm)	36 1/4" (921mm)		3" (76mm)
EWO36				

Table 1: Cutouts Dimensions

Electrical Power Supply Requirements

NOTES:

1. If the power supply requirements shown do not agree with those listed on the product data plate, provide a power source per the information found on the product data plate.
2. If the electrical service provided does not meet the product specification, or does not conform to the NEC or local standards, do not proceed with the installation. Call a licensed electrician to correct the electrical service before proceeding.
3. Be certain to locate the electrical receptacle in an accessible location, so that the warming oven may be easily unplugged in the event that service becomes necessary.
4. Do not use an extension cord to connect the warming oven to the electrical receptacle.
5. It is the owner's responsibility to ensure that electrical installation of this appliance is performed by a qualified electrician. The electrical installation must comply with the National Electric Code ANSI/NFPA 70-1990 (or to latest revision) and local codes and ordinances.

Electrical Supply Requirements 120VAC, 60 Hz, 15A Dedicated Circuit Oven is supplied with a 48" (1219mm) power cord with a three prong grounded plug.	
Total Connected Load	0.5kW (4A)
EWO36 only	0.8kW (6.5A)

Removing the Warming Oven Drawer

With the warming oven supported on a flat, stable surface and restrained on the top rear to prevent tilting, slide the drawer out to the fully extended position. While lifting the back locking tab, located at the front of the slide. Repeat on the opposite side. Remove the drawer by gripping it on each side and lifting straight up. Carefully set the drawer down on a flat, stable surface, again being certain not to damage the lower drawer front.

Install the Warming Oven Chassis

WARNING:

Failure to secure the chassis to the cabinet and support platform may cause the warming oven to tilt and fall when the drawer is opened, possibly resulting in personal injury.

Grasp the warming oven chassis on opposite sides and slide it partially into the cabinet opening. Temporarily support the oven in place so that it will not tilt or fall. From an adjoining cabinet, reach in behind the oven and pull the power cord until the plug is next to the electrical receptacle. Do not plug in the power cord at this time. After positioning the power cord and plug, slide the chassis completely into the cabinet until the front frame is positioned flush against the cabinet face.

Use the screws provided to secure the warming oven chassis to the cabinet and support platform. (You may want to drill pilot holes prior to installing the mounting screws.) Install one mounting screw through the hole provided in the front. A pair of holes go through the side of the chassis for mounting to the cabinet walls.

Re-installing the Warming Oven Drawer

Pull the slides out of the warming oven chassis. Gently lower the drawer between the extended slides until the drawer is suspended by the slide rails. Pull one slide forward until the far end of the slide slips under the hook on top of the side and the plastic locking tab engages. Repeat for the slide on the opposite side. The drawer is now reinstalled. Gently open, then close the drawer to ensure that it has been properly seated.

Connecting the Electrical Power

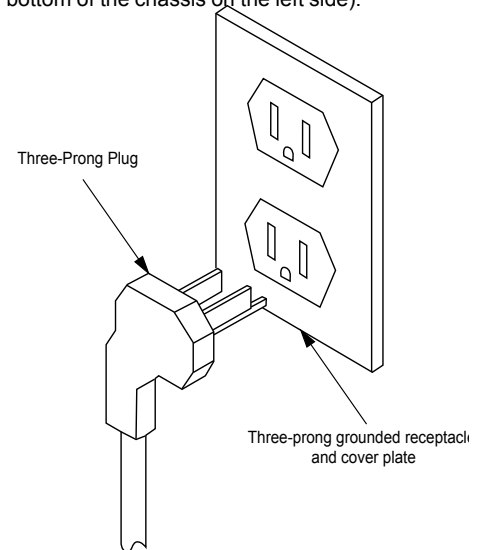
WARNING:

1. Verify that the proper electrical power supply has been provided.
2. Verify that the electrical supply matches the ratings found on the appliance data plate before proceeding.
3. Be certain that power to the electrical receptacle has been disconnected and the warming oven "Temperature" and "Timer" knobs are set to the "OFF" position, then plug the warming oven into the electrical receptacle.
4. This appliance must be connected to a grounded, metallic, permanent wiring system. Alternatively, a grounding conductor should be connected to the grounding terminal or lead on the appliance. Failure to do so may result in an electrical shock hazard.

5. Do not use an extension cord with this appliance. Such use may result in fire, electrical shock, or other personal injury.
6. Do not install a fuse in the neutral or ground circuit. A fuse in the neutral or ground circuit may result in an electrical shock hazard.

Grounding Instructions

The warming oven is supplied with a four (4) foot long power cord terminated by a three-prong plug. The warming oven power cord is intended to be plugged directly into a wall-mounted electrical receptacle. The correct voltage, frequency and amperage must be supplied to the electrical receptacle from a grounded, single phase circuit that is protected by a properly sized circuit breaker or time-delay fuse. The required voltage, frequency and amperage ratings are listed on the product data plate (located on the bottom of the chassis on the left side).



Verifying the Warming Oven Operation

Connect power to the electrical receptacle. Operate the warming oven as outlined in the Use & Care Manual, that accompanied this product.

NOTES:

**Specifications contained within are subject to change without notice.
No liability is assumed by DACOR for changes in specifications.**

Web Site: www.dacor.com
For a Dealer/Service: (800) 772-7778
Corporate Phone: (800) 793-0093

