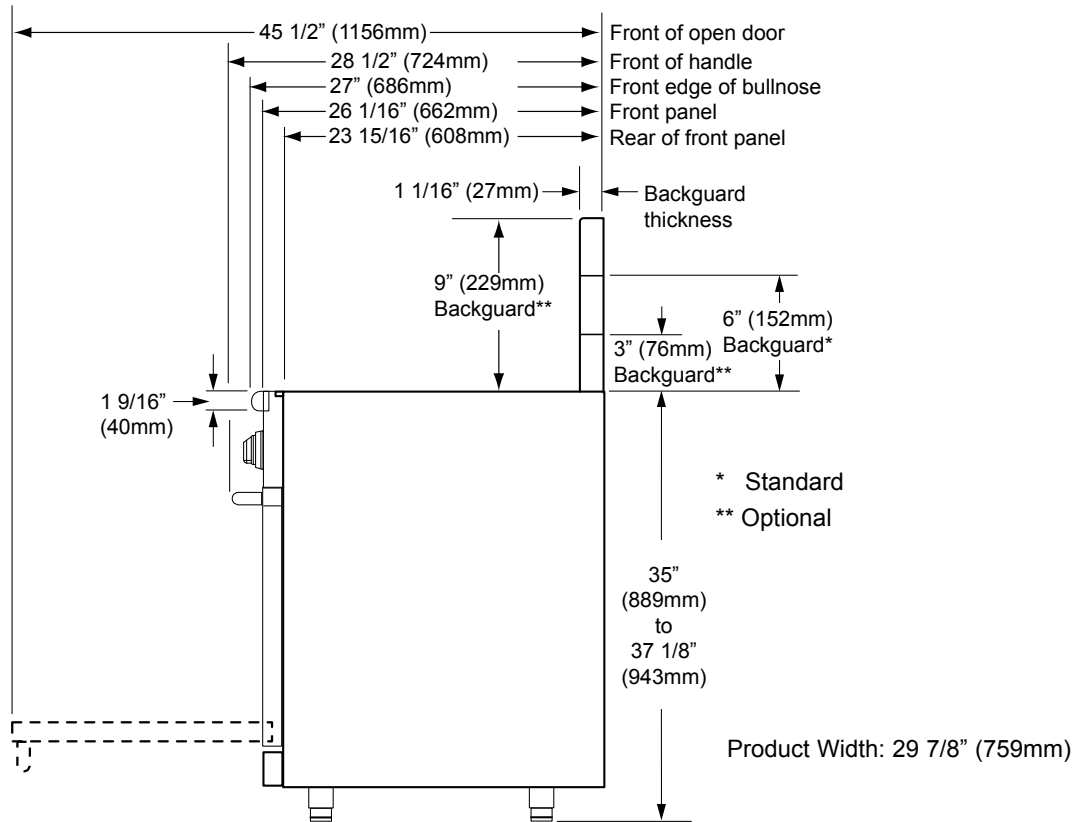


ER30G

All tolerances +1/16" -0 (+1.6 mm, 0) unless otherwise noted.



**ER30G
OVERALL DEPTH DIMENSIONS
SIDE VIEW**

Range Model	Electrical Circuit Required	Total Connected Load
ER30G	240 Vac, 60 Hz, 15 Amp	0.5 kW (4.0 Amp)

ELECTRICAL REQUIREMENTS

WARNING

- ◇ Observe all governing codes and ordinances during planning and installation. Contact your local building department for further information.
- ◇ This appliance must be installed in accordance with the accompanying installation instructions.

ER30G

dacor
The Life of the Kitchen.®

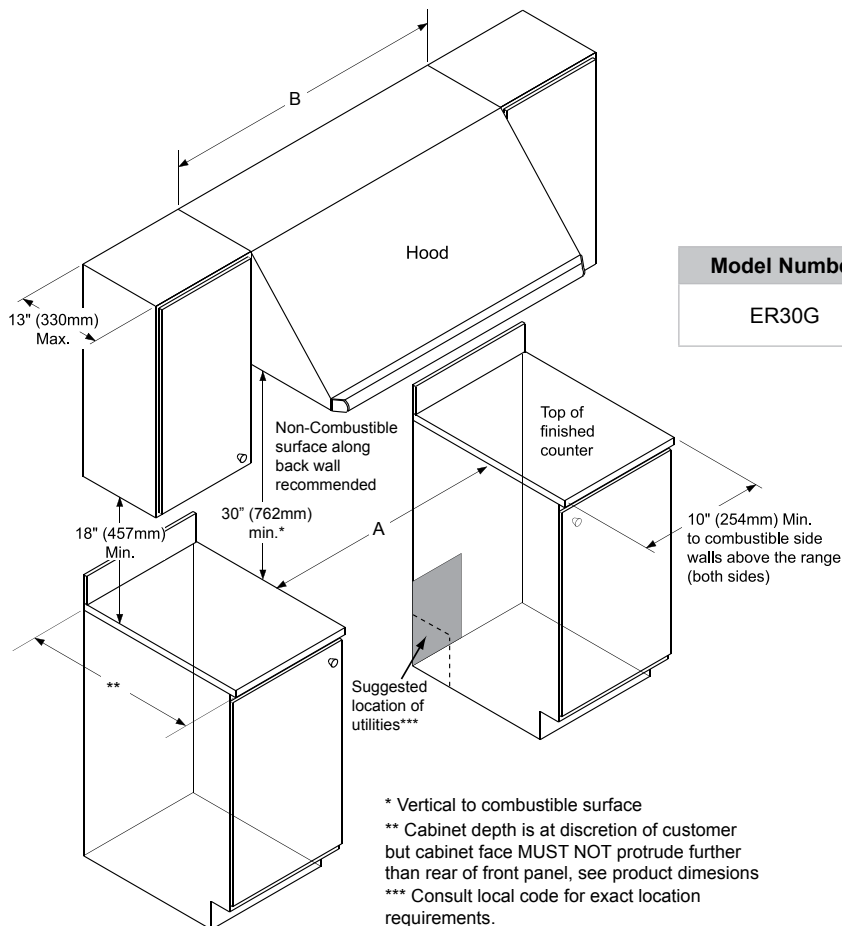
Revised
10/08/08

30" Wide, Epicure™ All Gas Range

2/2

PLANNING GUIDE

All tolerances +1/16" -0 (+1.6 mm, 0) unless otherwise noted.



Model Number	"A"	"B"
ER30G	30 1/16" (764mm)	30" (762mm) Minimum 36" (914mm) Recommended

NOTES:

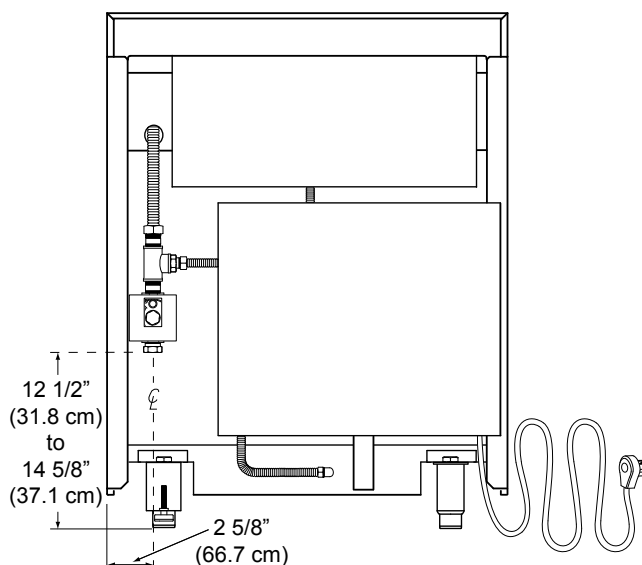
- Utilities may be located in the lower left corner of the adjacent right cabinet. (Recommended)
- Contact your local building department to verify compliance with local code interpretation.

CUTOUT DIMENSIONS

GAS SUPPLY PRESSURE REQUIREMENTS			
Gas Type	Manifold Pressure* (WC)	Min. Gas Supply Pressure (WC)	Max. Input Pressure
Natural	5"	6"	1/2 p.s.i.
LP	10"	11"	1/2 p.s.i.

IMPORTANT: The information above is for reference only. If the above data does not agree with the product data label, use the data on the product data label on top of the kick plate below the door (remove the door according to the installation instructions to view it).

The gas connection is located on the back of the unit as shown.



BACK OF RANGE