



## Installation Instructions

### Renaissance® Range

*For use with models ER30D, ER30D-C, ER30DSR*

**THIS APPLIANCE HAS BEEN TESTED IN ACCORDANCE WITH THE LATEST EDITION OF ANSI Z21.1 STANDARD FOR HOUSEHOLD GAS COOKING APPLIANCES.**

# Table of Contents

<b>Important Safety Instructions</b> .....	<b>1</b>	<b>Installation Instructions</b> .....	<b>8</b>
About Safety Instructions .....	1	Preparing for Installation .....	8
Safety Symbols in this Manual .....	1	Electrical Connection .....	10
General Safety Precautions .....	2	Gas Connection .....	15
<b>Customer Service Information</b> .....	<b>3</b>	Final Installation .....	16
<b>Planning the Installation</b> .....	<b>4</b>	Installing the Burner Knobs .....	17
Electrical Requirements .....	4	Cooktop Assembly .....	18
Gas Supply Requirements .....	4	Verifying Proper Operation .....	19
Product Dimensions .....	5	Installation Checklist .....	19
Cabinet Layout .....	7		

## IMPORTANT:

- **Installer:** In the interest of safety and to minimize problems, read these installation instructions completely and carefully before you begin the installation process. Leave these installation instructions with the customer.
- **Customer:** Keep these installation instructions for future reference and the local building inspector's use.

All specifications subject to change without notice.  
Dacor® assumes no liability for changes to specifications.

# Important Safety Instructions

## About Safety Instructions

The **Important Safety Instructions** and warnings in this manual are not meant to cover all possible problems and conditions that can occur. Use common sense and caution when installing, maintaining or operating this or any other appliance.

Always contact the Dacor Customer Service Team about problems and conditions that you do not understand.

## Safety Symbols in this Manual

### **DANGER**

Immediate hazards that **WILL** result in severe personal injury or death.

### **WARNING**

Hazards or unsafe practices that **COULD** result in severe personal injury or death.

### **CAUTION**

Hazards or unsafe practices that **COULD** result in minor personal injury or property damage.

### **DANGER**

**IMPORTANT:** If you smell gas:

- Do not use or light any appliance.
- Do not touch any electrical switch or use any electrical devices, including the telephone, in your building.
- From a neighbors phone, immediately call the gas supplier. Follow the gas supplier's instructions.
- If you cannot contact the gas supplier, call the fire department.

**IMPORTANT:** Do not store or use combustible, flammable or explosive vapors and liquids (such as gasoline) inside or in the vicinity of this or any other appliance. Also keep items that could explode, such as aerosol cans, away from the burners and the oven. Do not store flammable or explosive materials in adjacent cabinets or areas.

**IMPORTANT:** Junked or abandoned appliances are dangerous and can cause a child entrapment and suffocation hazard. When taking an appliance out of service, **immediately** follow the instructions below to help prevent accidents:

- Take off the door.
- Leave the racks in place so children cannot easily climb inside.
- Cut the prongs off the power cable plug and discard them.
- Cut the power cable off and discard it separately from the old appliance.

### **WARNING**

**WARNING** – NEVER use this appliance as a space heater to heat or warm the room. Doing so may result in carbon monoxide poisoning and overheating of the appliance.

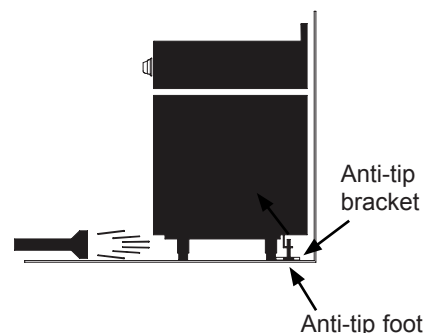
### **WARNING**

**WARNING** – NEVER cover any slots, holes or passages on the inside or outside of the range or cover an entire rack with materials such as aluminum foil. Doing so blocks air flow through the oven and may cause carbon monoxide poisoning. Aluminum foil linings may also trap heat, causing a fire hazard.

### **WARNING**

**Tip-over hazard:**

- A child or adult can tip the range and be killed.
- Attach the anti-tip bracket to the floor as directed in these installation instructions.
- Engage the floor mounted anti-tip bracket by sliding the anti-tip foot on the range into it according to these installation instructions. Using a flashlight, be sure that the anti-tip bracket engages the range's anti-tip foot as shown below.
- After moving the range, be sure to re-engage the anti-tip foot into the anti-tip bracket as shown below.
- See the anti-tip bracket installation instructions in this guide for further details.
- Failure to follow these instructions can result in death or serious burns to children or adults.



### **CALIFORNIA PROPOSITION 65 WARNING**

The burning of gas cooking fuel generates some by-products that are on the list of substances which are known by the State of California to cause cancer or reproductive harm. California law requires businesses to warn customers of potential exposure to such substances. To minimize exposure to these substances, always operate this unit according to the use and care manual, ensuring you provide good ventilation when cooking with gas.

**READ AND SAVE THESE INSTRUCTIONS**

# Important Safety Instructions

## General Safety Precautions

To reduce the risk of fire, explosion, electric shock, serious injury or death when installing or using this appliance, follow basic safety precautions, including the following:

### **WARNING**

- Read the accompanying use and care manual completely before operating this appliance.
- Keep packaging materials away from children. Plastic sheets and bags can cause suffocation.
- If you receive a damaged product, immediately contact your dealer or builder. Do not install or use a damaged appliance.
- This range must be properly installed by a qualified installer according to these installation instructions prior to use. The installer must show the customer the location of the gas shut off valve and the circuit breaker panel or fuse box so that they know where and how to turn off the gas supply and electric power to the range.
- Do not install, repair or replace any part of the range unless specifically recommended in the literature accompanying it. A qualified service technician should perform all other service.
- Do not connect this range to the gas supply without the supplied gas pressure regulator installed.
- Before performing any type of service or installation, make sure that the gas supply and electric power to the range are off.
- NEVER block or cover any slots, holes or passages anywhere inside the oven or on the outside of the range or cover an oven rack with materials such as aluminum foil. See the **Getting to Know Your Range** section of the use and care manual for the location of the various air holes (slots).
- Only use the range for cooking tasks expected of a home appliance as outlined in the literature accompanying it. This range is not intended for commercial use.
- DO NOT TOUCH THE SURFACES OF THE OVEN OR COOKTOP DURING OR IMMEDIATELY AFTER USE.
- Do not climb on any part of the appliance.
- Never leave this appliance unattended when in use.
- Do not leave children or pets alone or unattended in the area around the range. Do not allow children to play with the controls, pull on the handle, or touch other parts of the range.
- Do not store items of interest to children on top of or above the range. Children could be burned or injured while climbing on the appliance.
- Do not attempt to use this appliance in the event of a power failure.
- Do not tamper with the controls. Do not adjust or alter any part of the range unless specifically instructed to do so in these instructions.
- Clean the cooktop thoroughly before operating it for the first time.
- Keep flammable items, such as paper, cardboard, plastic and cloth away from the burners and other hot surfaces. Do not place such items in the oven. Do not allow pot holders to touch hot surfaces or gas burners.
- Do not wear loose or hanging apparel while using the range. Do not allow clothing to come into contact with the interior of the oven or the cooktop and surrounding areas during and immediately after use.
- To avoid a fire hazard, do not hang flammable or heat sensitive objects over the range. If the range is near a window, do not use long curtains as window treatment. The curtains could blow over the cooktop and create a fire hazard.
- Do not use the oven for storage.
- Do not touch the burner assembly, grates or surrounding surfaces (including the backguard) or the interior surfaces of the oven during use. After use, make sure these surfaces have had sufficient time to cool before touching them.
- Do not touch the outside surfaces of the range during the self-clean cycle. They will be hot. Venting from the oven may cause the cooktop and backguard to become hot.
- Make sure that all the cooktop parts are dry before lighting a burner.
- Turn the knobs to the **OFF** position prior to removing them from the valve stems.
- Do not operate the cooktop without the knobs and trim rings in place.
- For your safety, do not use the oven to cook without the convection filter installed. When the filter is not installed, the spinning fan blades at the back of the oven are exposed.

# Important Safety Instructions

## WARNING

- Non-stick coatings, when heated, can be harmful to birds. Remove birds to a separate, well-ventilated room during cooking.
- To prevent damage, remove the meat probe from the oven when it is not being used.
- Do not line the oven with aluminum foil or other materials. These items can melt or burn up during self-cleaning and cause permanent damage to the oven.
- Do not leave metal objects, such as aluminum foil, the meat probe, cookie sheets, etc. on the bottom of the oven. Objects left on the bottom of the oven could damage the bake element. In addition, the objects themselves could be damaged.
- The bake and broil elements are behind glass panels on the floor and ceiling of the oven chamber. Do not cover these glass panels with cookie sheets, aluminum foil, pots, pans, etc. Covering them could cause the heating elements to over-heat, damaging the oven.
- Do not expose the knobs or trim rings to direct flame, hot utensils or other sources of heat.
- Always ensure that the light fixture lens covers are in place when using the oven. The lens covers protect the light bulbs from breakage caused by high oven temperatures or mechanical shock.

# Customer Service Information

If you have questions or problems with installation, contact your Dacor dealer or the Dacor Customer Service Team. For repairs to Dacor appliances under warranty, call the Dacor Distinctive Service line. Whenever you call, have the model and serial number of the appliance ready. The serial number and rating labels can be seen through the grill below the control panel, on the right side.

### Dacor Customer Service

Phone: (800) 793-0093 ex. 2813 (U.S.A. and Canada)

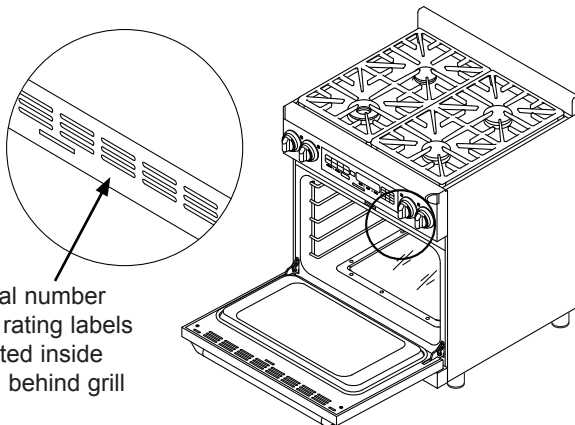
Monday — Friday 6:00 A.M. to 5:00 P.M. Pacific Time

Web site: [www.dacor.com](http://www.dacor.com)

### Dacor Distinctive Service (for repairs under warranty only)

Phone: (800) 793-0093 ex. 2822 (U.S.A. and Canada)

Monday — Friday 6:00 A.M. to 5:00 P.M. Pacific Time



Serial number and rating labels located inside unit, behind grill

**Model and Serial Number Location**

## Model Identification

**ER30DSR-C-SCH/NG/H**

SIZE (inches)

TRIM TYPE

SR = Self-rimming option

No character = Free standing

COUNTRY CODE\*

C = Cord connected appliance

No character = Equipped for use in U.S.A.

GAS TYPE

NG = Natural gas

LP = Liquid petroleum (propane)

ALTITUDE

H = Equipped for high altitude operation, 4000 ft. (1219 m) and up

No character = Equipped for low altitude operation

\* Applies only to freestanding models. Models branded -C may also be installed in U.S.A. provided local codes permit. All units with self-rimming option are equipped for use in the U.S.A. and Canada. See page 4 for further details.

# Planning the Installation

## **WARNING**

**IMPORTANT:** Observe all governing codes and ordinances during planning and installation. Contact your local building department for further information.

## Electrical Requirements

### Models ER30D and ER30DSR

It is the owner's responsibility to ensure that the electrical connection of this appliance is performed by a licensed electrician. The electrical installation, including minimum supply wire size and grounding, must be in accordance with the National Electric Code ANSI/NFPA 70-1993\* (or latest revision) and local codes and ordinances. A copy of this standard may be obtained from:

National Fire Protection Association  
1 Batterymarch Park  
Quincy, Massachusetts 02269-9101

- The correct voltage, frequency and amperage must be supplied to the appliance from a separate, grounded, circuit that is protected by a properly sized circuit breaker or time delay fuse. Refer to the ratings on the range rating label. If a fuse is utilized, fuse both sides of the line (L1 and L2).

#### ER30D/ER30DSR ELECTRICAL SPECIFICATIONS

Circuit Required	Total Connected Load
240 Vac, 60 Hz, 30 Amp.	5.6 kW (24.2 Amp.)

The ratings above are for reference only - refer to the range rating label (see page 3).

- The wiring needs to be long enough to allow the range to be pulled out for service, while remaining connected.
- The wiring connected to the range must:
  - Have a minimum rating of 250 Volts @ 30 Amp.
  - Include a strain relief
  - Be terminated by tinned leads, closed loop terminals or open ended spade lugs with upturned ends
  - Connect to a junction box or receptacle installed by a licensed electrician

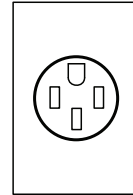
The appliance may be connected one of the following ways:

- Using conduit:
  - A 4-wire conduit connected to a 4-wire junction box, or
  - A 3-wire conduit (where local code permits) connected to a 3-wire junction box.  
Suggested conduit wiring color code: black, white, red and green.
- Using an appliance cord:
  - A 4-wire appliance cord equipped with a NEMA 14-50P plug connected to a NEMA 14-50R receptacle, or
  - A 3-wire appliance cord (where local code permits) equipped with a NEMA 10-50P plug connected to a NEMA 10-50R receptacle  
Appliance cord plug must be UL listed type SRD or SRDT. See page 14 for additional details.

## Electrical Requirements

### Model ER30D-C

- Model ER30ED-C is a freestanding range that comes with a factory installed 4-wire appliance cord and NEMA 14-50P plug. This wiring configuration is required for freestanding ranges installed in Canada, although they may be used elsewhere, if local codes permit. The plug is designed to plug directly into a NEMA 14-50R electrical receptacle installed by a licensed electrician according to the specifications below. Do not modify the factory wiring on model ER30D-C.



**NEMA 14-50R Receptacle**

- It is the owner's responsibility to ensure that the required 4-wire electrical outlet compatible with the power cord is installed by a licensed electrician as specified below prior to range installation. The electrical outlet installation, including minimum supply wire size and grounding, must be in accordance with all governing codes and ordinances.
- The correct voltage, frequency and amperage must be supplied to the appliance from a separate, grounded, circuit that is protected by a properly sized circuit breaker or time delay fuse. If a fuse is utilized, fuse both sides of the line (L1 and L2). Refer to the ratings on the range rating label.

#### ER30D/ER30DSR ELECTRICAL SPECIFICATIONS

Circuit Required	Total Connected Load
240 Vac, 60 Hz, 30 Amp.	5.6 kW (24.2 Amp.)

The ratings above are for reference only - refer to the range rating label (see page 3).

## Gas Supply Requirements

### (all units)

- Check your local building codes for the proper method of installation. In the absence of local codes, this appliance should be installed in accordance with the National Fuel Gas Code ANSI Z223.1.
- Be certain that the appliance being installed is correct for the gas service provided (natural gas or LP gas). Also, if operating the range at an altitude above 4000 ft. (1219 m) make sure it is equipped for high altitude operation. Refer to the range rating label and the table on page 3 to determine the correct model.
- See the table below for gas supply pressure requirements.
- The regulator inlet accommodates a 3/4" gas line. The range ships with a 1/2" to 3/4" adapter connected to the regulator.

#### GAS SUPPLY PRESSURE REQUIREMENTS

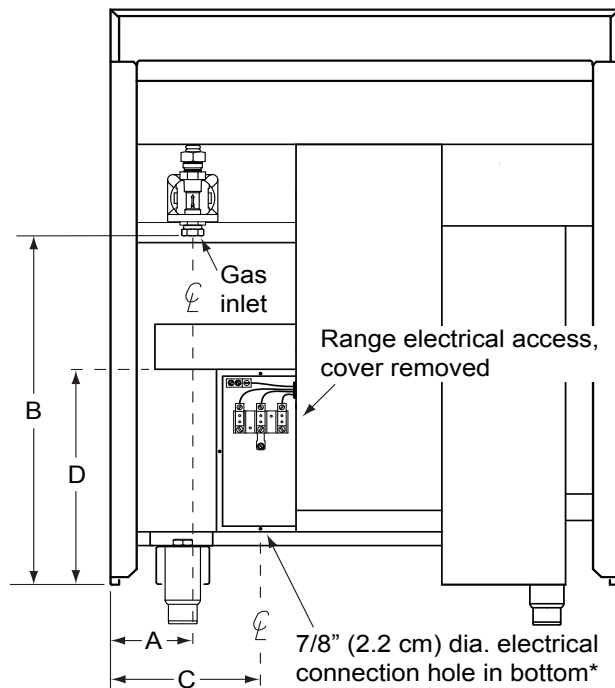
Gas Type	Manifold Pressure* (WC)	Min. Gas Supply Pressure (WC)	Max. Input Pressure
Natural	5	6	1/2 psi
LP	10	11	1/2 psi

The ratings above are for reference only - refer to the range rating label (see page 3).

# Planning the Installation

## Product Dimensions

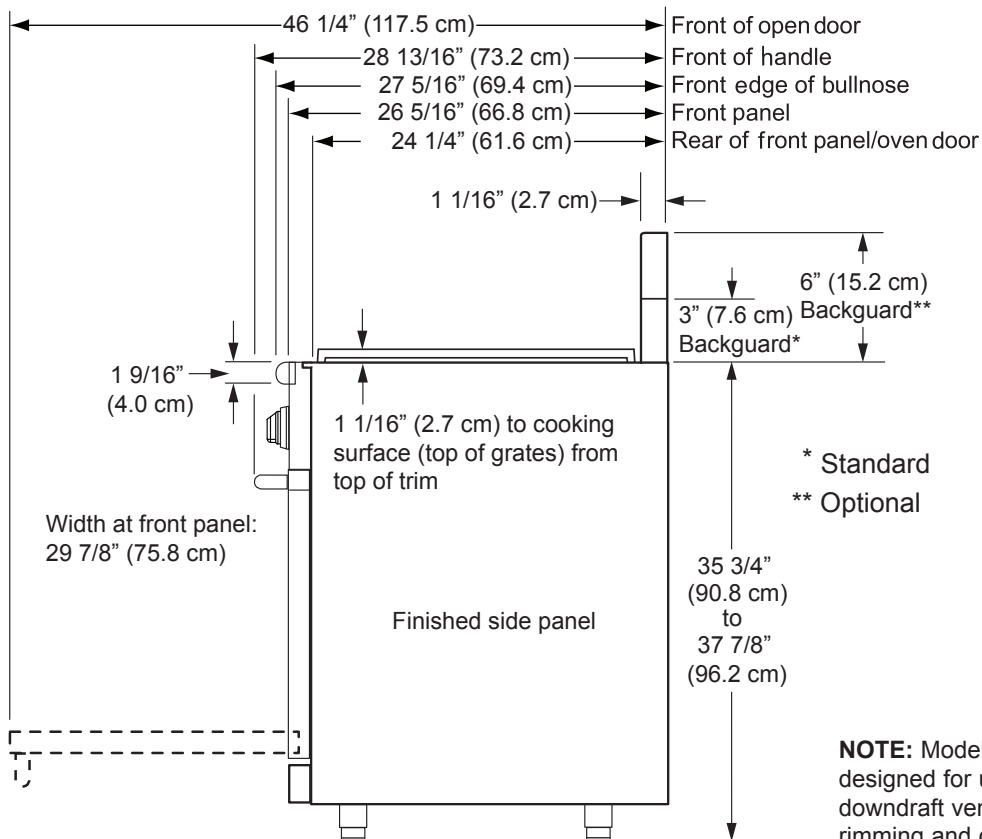
Product tolerances:  $\pm 1/16"$  ( $\pm 1.6$  mm), unless otherwise stated



Gas and Electrical Dimensions - All Models

GAS - ELECTRICAL ACCESS DIMENSIONS			
A	B	C	D
4 7/8" (12.4 cm)	21 3/4" (55.2 cm)	8 5/8" (21.9 cm)	10 3/16" (25.9 cm)

\* When using an appliance cord, the hole size must be increased to 1 1/8" by removing the conduit bracket inside the range electrical access box.



Freestanding Models: ER30D and ER30D-C

**NOTE:** Models ER30D and ER30D-C are NOT designed for use with self-rimming installations or downdraft vents. Use model ER30DSR for self-rimming and downdraft vent installations.

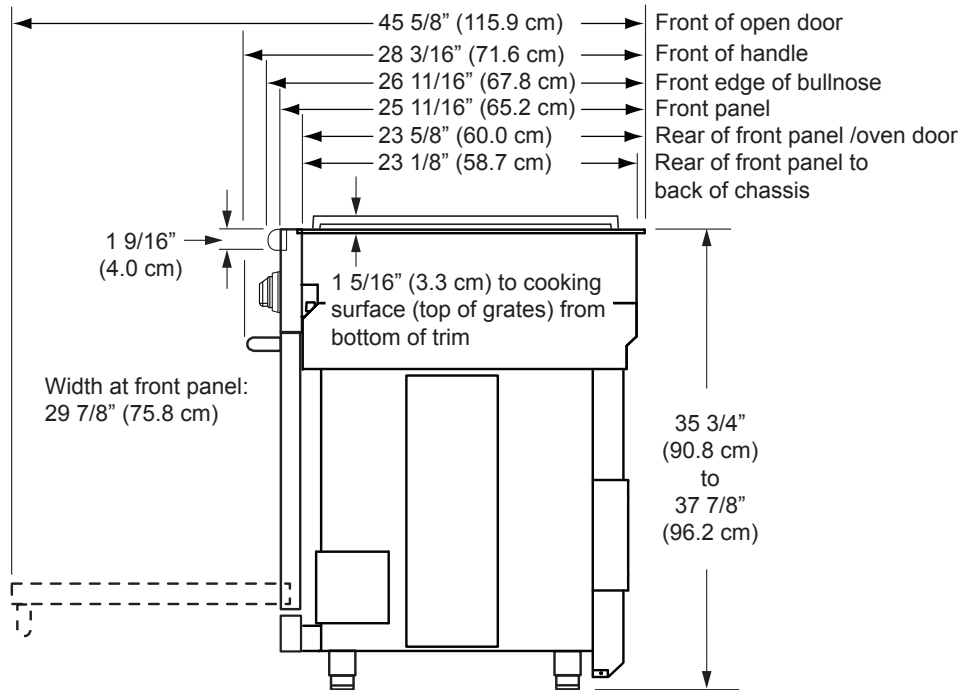
# Planning the Installation

## Product Dimensions (cont.)

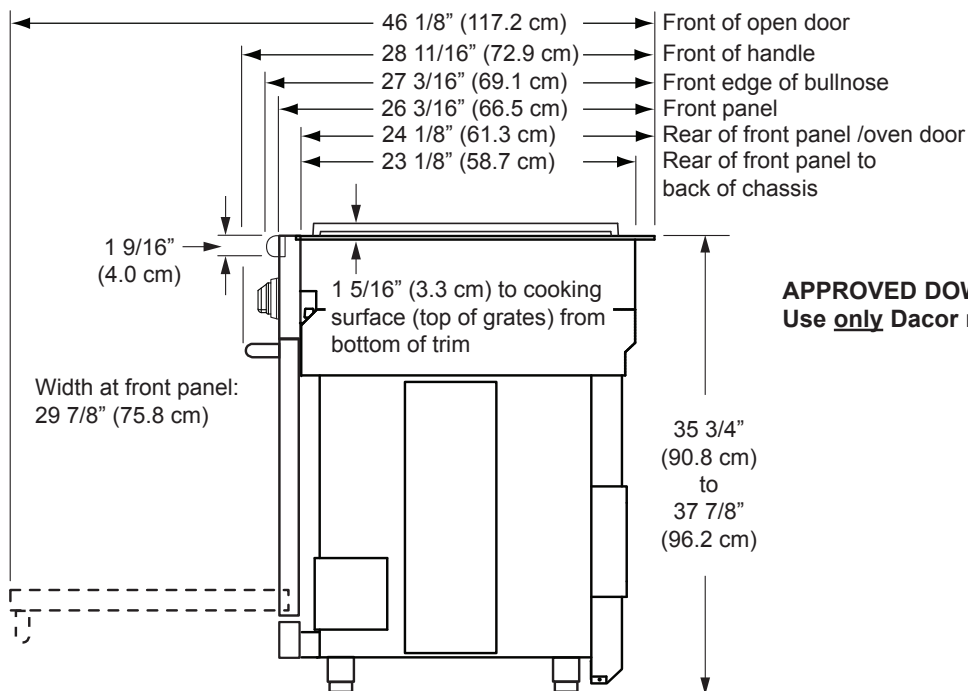
Product tolerances:  $\pm 1/16"$  ( $\pm 1.6$  mm), unless otherwise stated

**NOTE:** Self-rimming models are not compatible with Dacor integral backguards.

**NOTE:** Self-rimming models are designed to allow the trim to overlap the countertop when configured to the dimensions on page 8.



**Self-Rimming Model ER30DSR  
with Standard Trim**



**APPROVED DOWNDRAFT VENT MODEL:  
Use only Dacor model PRV30.**

**Self-Rimming Model ER30DSR  
with Optional Downdraft Vent Trim Kit (ATK30SR) Installed**

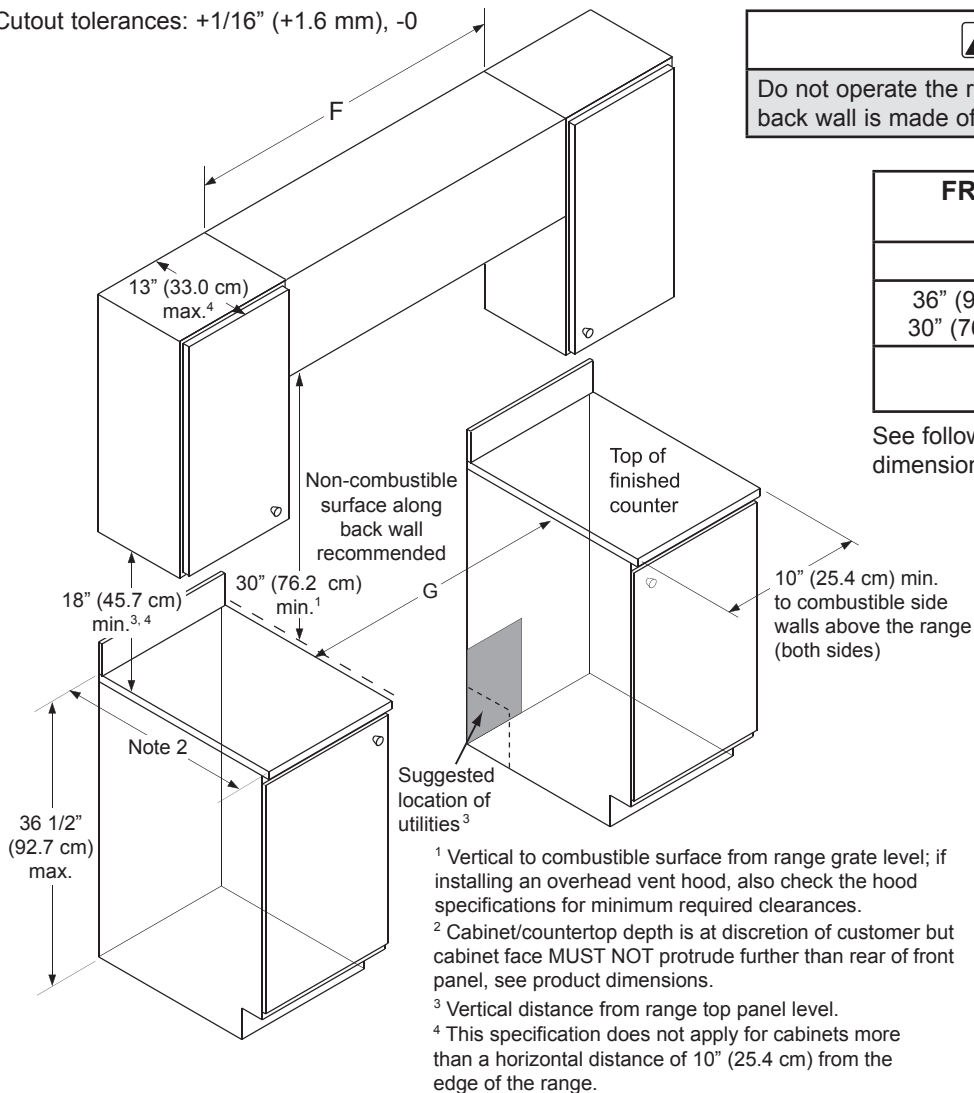


# Planning the Installation

## Cabinet Layout

- Carefully check the location where the range is to be installed. For best performance, the range should be placed away from drafts that may be caused by doors, windows and heating and air conditioning outlets.
- To reduce the risk of personal injury and to reduce accumulated smoke in the room, Dacor strongly recommends installing a range hood. A range hood should project horizontally a minimum of five (5) inches beyond the face of the cabinets.
- All maximum and minimum dimensions and clearances shown in the diagram below and on page 8 (as applicable) must be maintained for safe operation.
- In the freestanding configuration, the range may be installed flush to the rear wall. For all installations, Dacor highly recommends installing a non-combustible material on the rear wall above the range and up to the vent hood or installation of a backguard. It is not necessary to install non-combustible materials behind the range below the countertop height.
- Any openings in the wall behind the appliance or in the floor underneath it must be sealed.

Cutout tolerances: +1/16" (+1.6 mm), -0



**Freestanding Cabinet Cutout Dimensions -  
Models ER30D and ER30D-C**

## Gas and Electrical Service

- The shaded area shown denotes the location of the gas inlet and the electrical junction box/receptacle. This is the recommended location. For replacement purposes, the location of the existing utilities may be utilized provided they do not interfere with the sides or rear of the range. Check local building codes for permissible gas valve locations.
- An external manual shut-off valve must be installed between the gas inlet and the range for the purpose of turning on or shutting off gas to the appliance.

### The installation must allow for the following:

- Access to the gas shut-off valve when the unit is installed.
- Access to the remote circuit breaker panel or fuse box, when the range is in place.
- The gas supply piping, gas shut-off valve and the electrical junction box or receptacle must be located so they do not interfere with the range when it is installed.
- The junction box and gas shut off valve must be located so that the range can be pulled out for service while the appliance remains connected.

## WARNING

Do not operate the range without the backguard in place if the back wall is made of combustible materials. A fire may result.

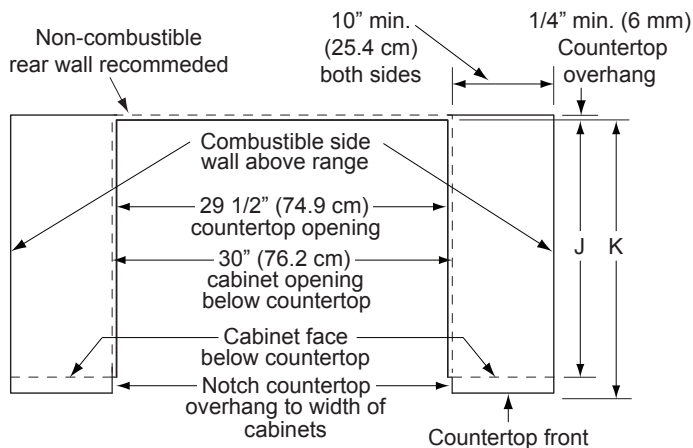
### FREESTANDING CUTOUT DIMENSIONS

F	G
36" (91.4 cm)* 30" (76.2 cm)**	30 1/16" (76.4 cm)*
* Recommended ** Minimum	

See following page for self-rimming cutout dimensions.

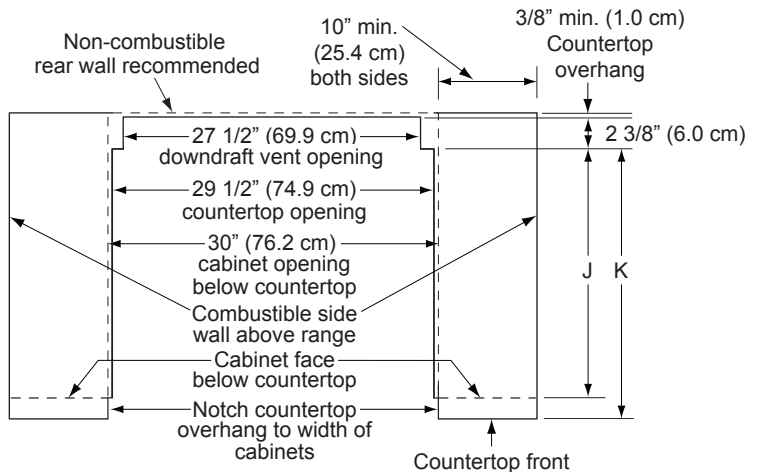
# Planning the Installation

## Cabinet Layout (cont.)



Countertop Height: 35 5/8" (90.5 cm) min., 37 3/8" (94.9 cm) max.

**Top View - Model ER30DSR - Counter/Cabinet Cutout Dimensions for Self-Rimming Installation**



Countertop Height: 35 5/8" (90.5 cm) min., 37 1/4" (94.6 cm) max.

**Top View - Model ER30DSR - Counter/Cabinet Cutout Dimensions - Self-Rimming Installation with Downdraft**

### Notes For All Self-Rimming Installations:

- On installations without a downdraft vent (see above), when sliding the range into position, it will stop when the rear of the control panel contacts the notches toward the front of the countertop. The range trim will partially cover the overhang in back.
- On installations with a downdraft vent (see above right), install Dacor trim kit ATK30SR. When sliding the range into position, it will stop when the rear of the control panel contacts the notches toward the front of the countertop. The range trim will partially cover the front of the downdraft vent chassis in back.

ER30DSR	J	K
without downdraft vent	23 1/2" (59.7 cm)	24" to 25 9/16"
with downdraft vent	24" (61.0 cm)	24 1/2" to 26 1/16"

# Installation Instructions

## Preparing for Installation

### WARNING

- If the gas or electric service provided does not meet the product specifications, do not proceed with the installation. Call the dealer, the gas supplier or a licensed electrician.
- Before installing the range, you must locate and secure the anti-tip bracket to the floor.
- Be sure that the unit is not connected to gas or power before proceeding with the following sections.

**IMPORTANT:** Within the Commonwealth of Massachusetts, this appliance must be installed by a licensed plumber or gas fitter.

**NOTE:** When installing a backguard, always install it before sliding the range into place.

## Unpacking the Range

Unpack the range and verify that all required parts have been provided. If any item is missing or damaged, please contact your dealer immediately. Do not install a damaged or incomplete appliance. The customer must report cosmetic issues within 30 days of installation.

### Parts List

- 2 grates (PN 101524)
- 1 small stack burner cap<sup>1</sup>
- 1 small stack burner ring<sup>1</sup>
- 2 large stack burner caps<sup>2</sup>
- 2 large stack burner rings<sup>2</sup>
- 1 crown burner cap<sup>3</sup>
- 1 crown burner ring<sup>3</sup>
- 1 crown burner head<sup>3</sup>
- 2 GlideRack™ oven racks (PN 72915)
- 1 standard size rack (PN 62139)
- 4 knobs  
Left (PN 100127-01)  
Right (PN 100127-02)
- Anti-tip bracket w/screws
- Meat probe (PN 72723)
- Griddle (PN 700570)
- Wok ring (PN AWR4)
- Stainless steel cleaner (PN A302)
- Literature kit
- Broiler pan/grill (PN 82107/82106)

See the use and care manual for a list of optional accessories.

<sup>1</sup> Small stack burner kit: PN 100699

<sup>2</sup> Large stack burner kit: PN 700493

<sup>3</sup> Crown burner kit: PN 100703

# Installation Instructions

## Changing the Backguard (models ER30D and ER30D-C only)

Models ER30D and ER30D-C come standard with a 3" backguard installed. The 6" backguards is optional. Install according to the instructions included with the backguard.

## Installing the ATK30SR Downdraft Vent Trim Kit (model ER30DSR only)

To install the optional downdraft vent with self-rimming model ER30DSR, you must install the optional downdraft vent trim kit. Install according to the instructions included with the kit.

## Installing a Downdraft Vent (Optional)

Install the PRV30 downdraft vent before final installation of the range. See the installation instructions included with the downdraft vent.

**IMPORTANT:** The downdraft vent attaches to the narrow back portion of the downdraft vent/range cutout. It is self-supporting in the cutout and does not actually attach to the range itself.

## Installing the Anti-Tip Bracket on the Floor

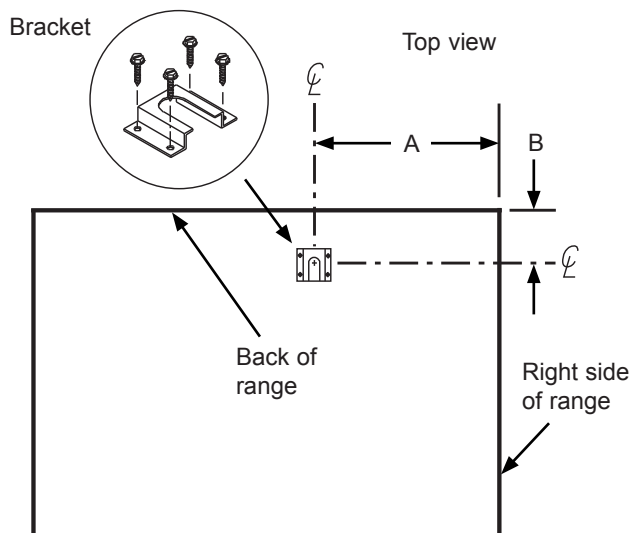
### **WARNING**

To perform its intended function, the anti-tip bracket must be attached as instructed to the concrete slab or wood sub-floor below any floor coverings (including cement board) on top. Do not attach the anti-tip bracket directly to floor coverings such as ceramic/asphalt tile or linoleum.

1. Locate the anti-tip bracket included in the parts box.
2. Install the anti-tip bracket on the floor using the four (4) included screws. See the diagram below for location. **NOTE:** If the floor is wood, use wood screws instead (not included).

#### ANTI-TIP BRACKET PLACEMENT

<b>A</b>	6 5/8" (16.8 cm)
<b>B</b>	6 3/8" (16.2 cm)



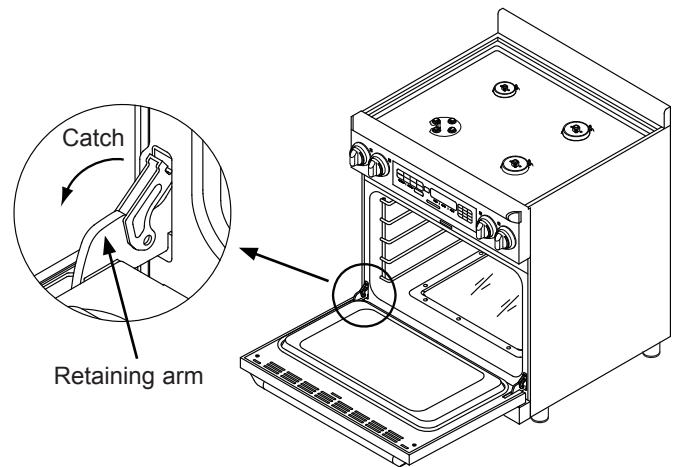
## Removing the Oven Door

### **WARNING**

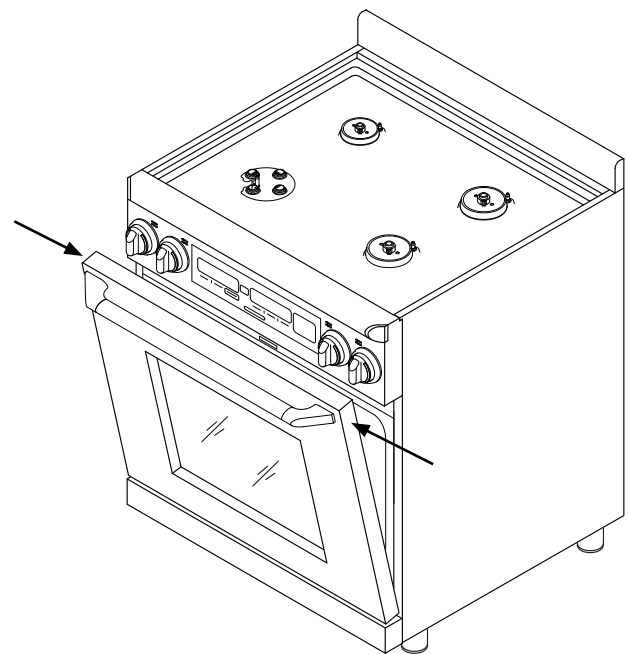
- Do not attempt to disengage the hinge catches with the door removed from the oven. The hinge springs could release causing personal injury.
- Do not lift or carry the oven door by the handle.

To make the range easier to move, remove the door to reduce weight.

1. Open the door to its fully opened position.
2. Rotate the catch over the retaining arm on each hinge.



3. Lift the oven door to about a 15° angle from the vertical position.
4. Hold the door with both hands just below the handle and pull it away from the oven while continuing to lift.



**Door Gripping Points**

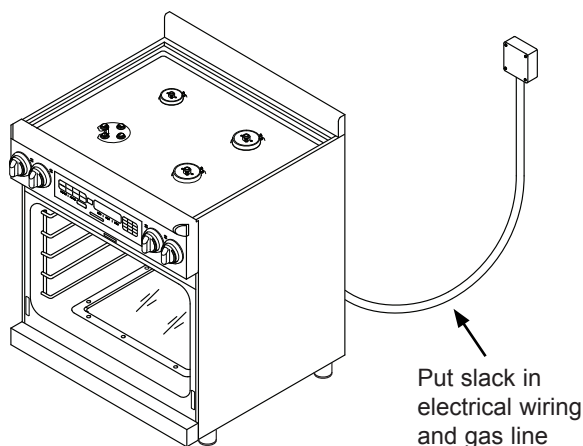
# Installation Instructions

## Electrical Connection

### **WARNING**

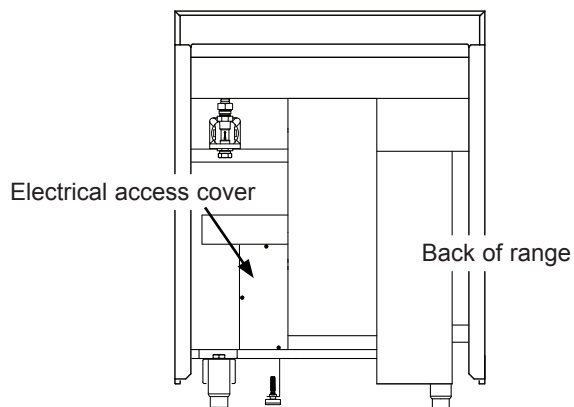
- Wire the range only in compliance with local ordinances.
- Do not turn on power to the range until instructed to do so in the **Verifying Proper Operation** section of these instructions.
- Improper connection of the electrical wiring can cause an electric shock hazard and damage the appliance. Dacor is not responsible for damages resulting from improper installation.
- The ground terminal (or lead) on the appliance must be connected to a grounded, metallic, permanent wiring system or grounding conductor.
- Do not use an extension cord with this appliance. Such use may result in fire, electric shock or other personal injury.
- Do not install a fuse in the neutral or ground circuit. A fuse in the neutral or ground circuit may result in an electric shock hazard.

**NOTE:** Freestanding model ER30D-C comes from the factory pre-wired. If installing a pre-wired range, skip to **Gas Supply Connection** on page 15.



### **IMPORTANT:**

- Make sure that the conduit or appliance cord is long enough to allow the range to be pulled out for service without disconnecting it from power.
- Do not disconnect any of the wires inside the range electrical box unless instructed to do so.



## Connecting the Wiring to the Range

Refer to the range rating label (see page 3) for power requirements.

There are four possible ways to wire the range:

- 4 wire conduit
- 3 wire conduit (where local codes permit)
- 4 wire appliance cord (where local codes permit)
- 3 wire appliance cord (where local codes permit)

The sections below and on the following pages give directions for connecting each type of wiring harness.

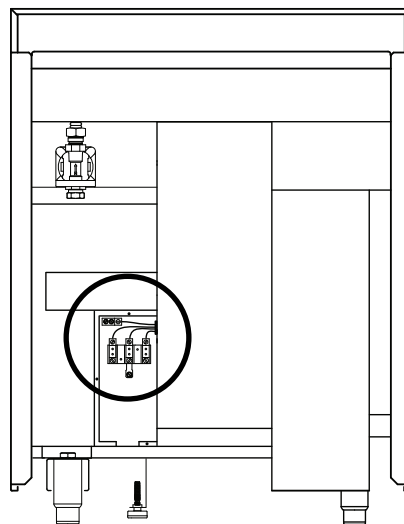
### **WARNING**

Do not connect the green appliance wire to the neutral (white) supply wire unless local building codes permit.

### Connecting Conduit to the Range

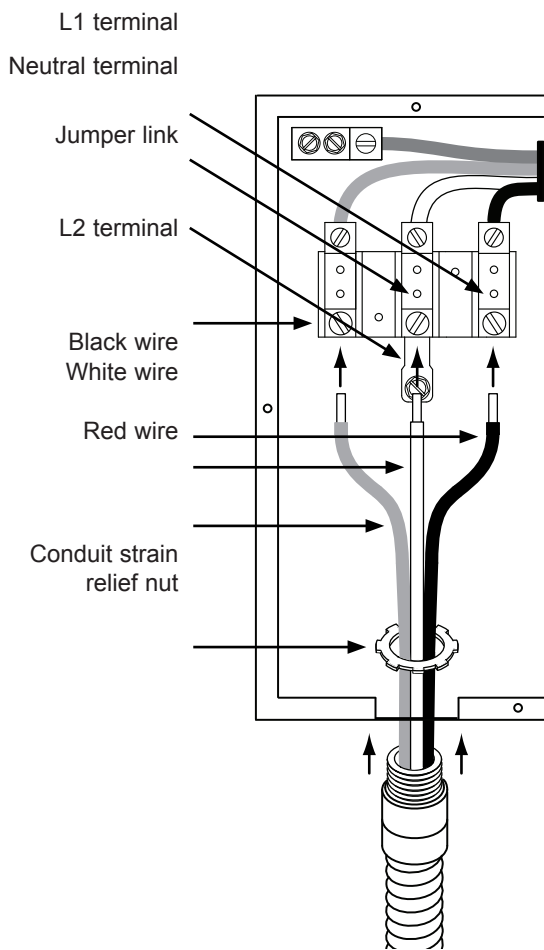
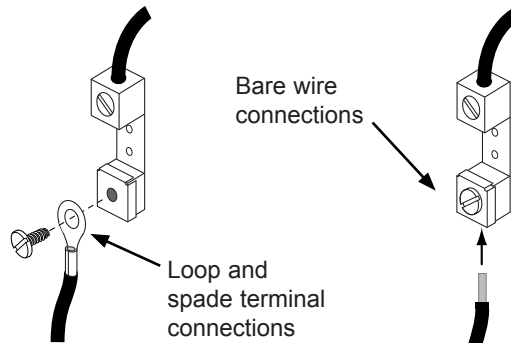
**NOTE:** See pages 14 and 15 for instructions to connect an appliance cord to the range.

1. Remove the range electrical access cover from the back of the range to expose the terminal block.

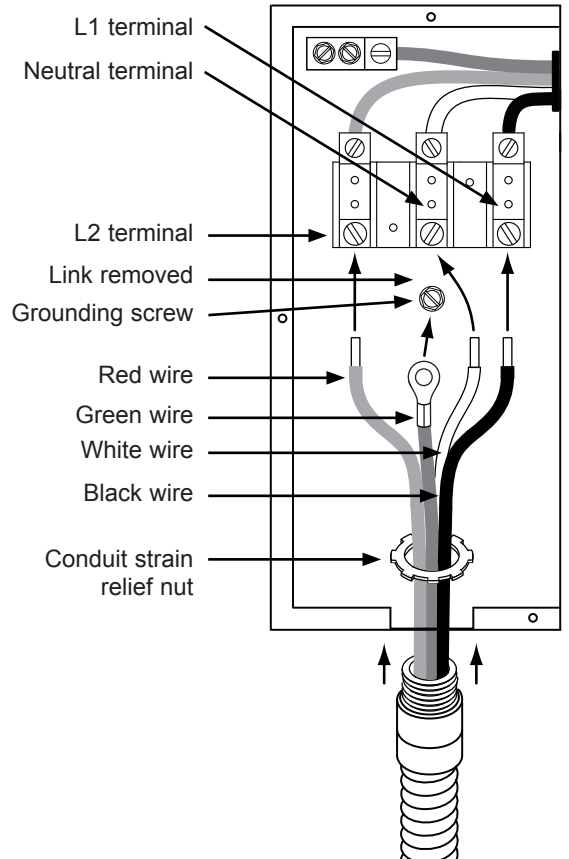


2. If using a 4 wire connection, loosen the grounding screw and remove the neutral to ground jumper link as shown on the facing page.
3. Remove the nut from the conduit strain relief (not included).
4. Slide the wires and the end of the strain relief into the hole on the bottom of the range electrical box. See facing page.
5. Before connecting the wires, slide the strain relief nut over the wires and thread it onto the conduit strain relief inside the box. Tighten into place.
6. Connect the white wire to the neutral terminal in the box.
7. Connect the black wire to the L1 power supply terminal.
8. Connect the red wire to the L2 power supply terminal.
9. If using a 4 wire connection, connect the green wire to the grounding screw inside the box.
10. Replace the range electrical access cover.

# Installation Instructions



**3 Wire Conduit Connection -  
Where Local Code Permits**



**4 Wire Conduit  
Connection**

# Installation Instructions

## Electrical Connection (cont.)

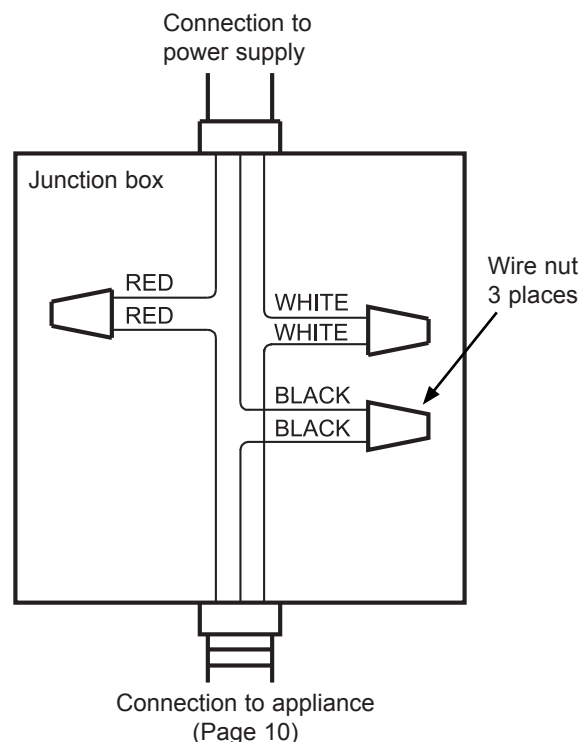
### Connecting the Conduit to the House Electrical Junction Box

#### **WARNING**

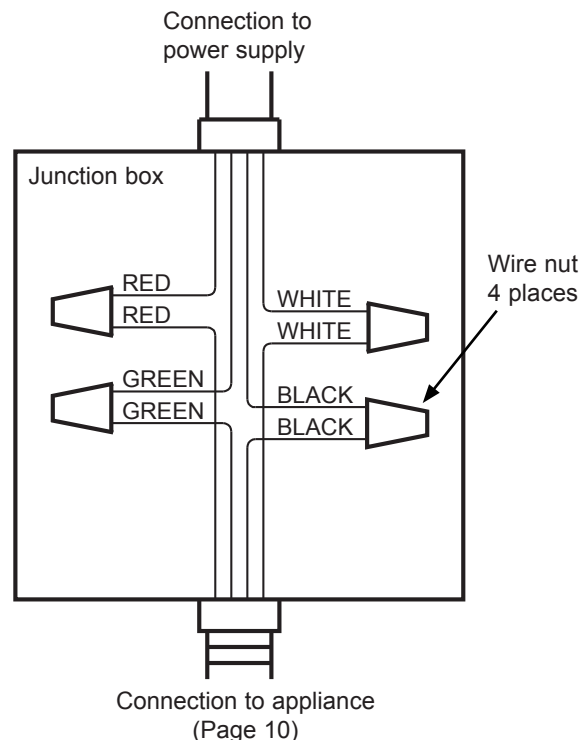
- Do not ground the appliance to a gas supply pipe or hot water pipe.
- Do not turn on power to the appliance until the range is permanently grounded.
- A grounded cold water pipe must have metal continuity to electrical ground and must not be interrupted by insulating materials. Any insulating materials must be jumpered with a length of No. 4 copper wire securely clamped to bare metal at both ends.

**IMPORTANT:** The power supply must be properly polarized. Reverse polarity will result in continuous sparking of the electrodes, even after flame ignition. If there is any doubt as to whether the power supply is properly polarized or grounded, have it checked by a licensed electrician.

1. With the range positioned directly in front of the cabinet cutout, feed the appliance wires into the junction box. Depending upon local codes, utilize one of the three (3) methods shown to connect the appliance to the junction box.
2. Connect the white wire from the appliance to the neutral (white) supply wire in the junction box.
3. Connect the black wire from the appliance to the black (L1) power supply wire in the junction box.
4. Connect the red wire from the appliance to the red (L2) power supply wire in the junction box.
5. If using a 4 wire connection, connect the green wire to a grounded supply wire in the junction box or to a grounded cold water pipe. If connecting to a grounded cold water pipe:
  - ◇ Use a separate copper grounding wire (No. 10 minimum) to connect to the cold water pipe by means of a clamp and an external grounding connector screw.
  - ◇ If there are any materials that isolate the cold water pipe from ground, jumper it with a No. 4 copper wire, clamped on both ends.
6. Replace the junction box cover.

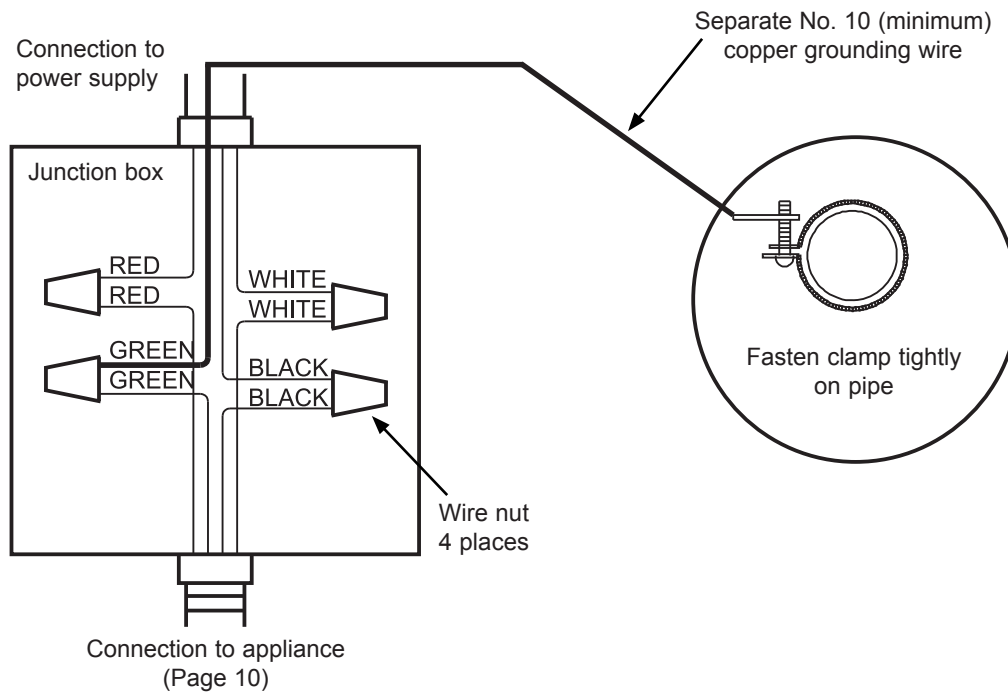


**3 Wire Conduit Connection  
to Junction Box**

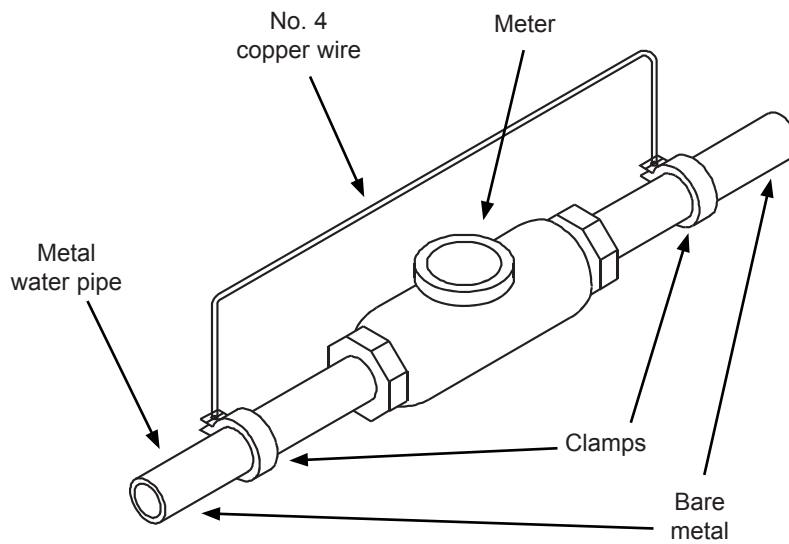


**4 Wire Conduit Connection  
to Junction Box**

# Installation Instructions



## 4 Wire Conduit Connection to Junction Box with External Ground



## Insulated Pipe Jumper

# Installation Instructions

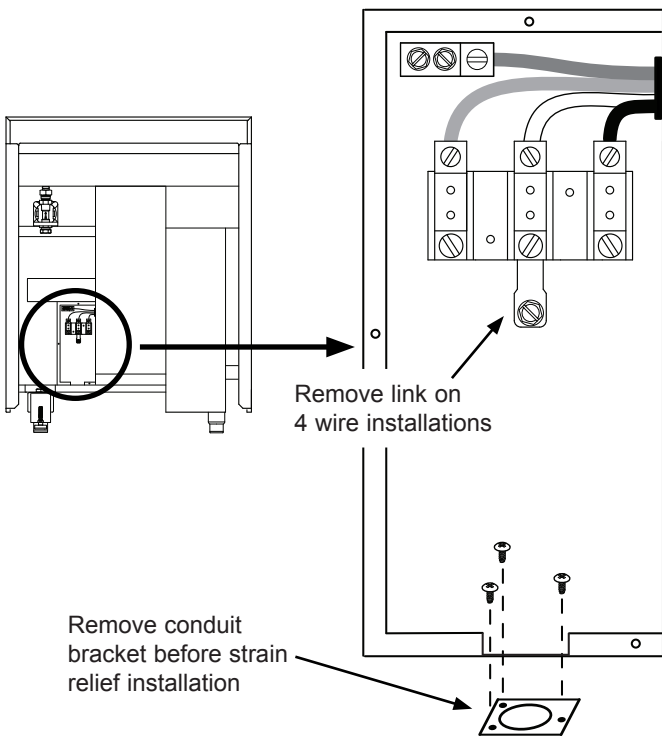
## Electrical Connection (cont.)

### Appliance Cord Connections - Where Local Code Permits

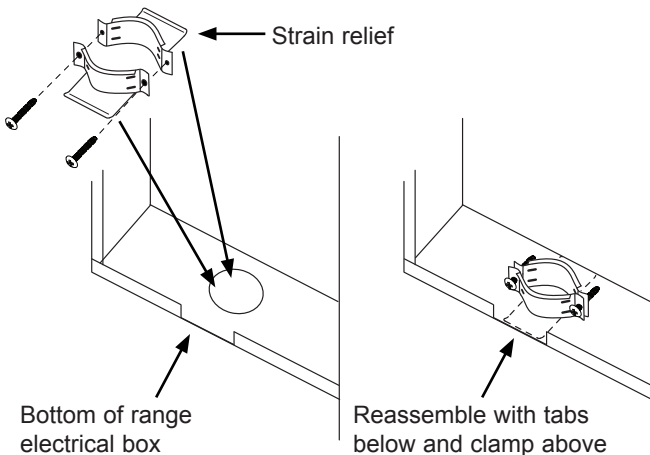
#### **WARNING**

Do not connect the green appliance wire to the neutral (white) supply wire unless local building codes permit.

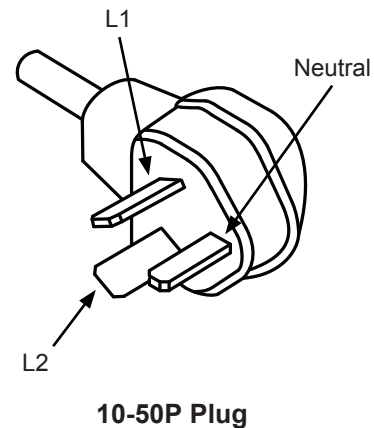
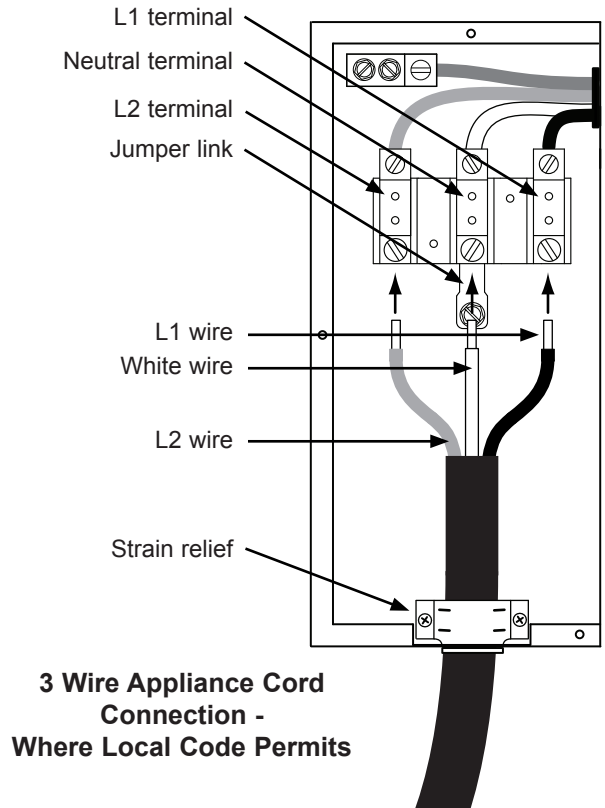
1. Remove the range electrical access cover from the back of the range.
2. If using a 4 wire connection, loosen the grounding screw and remove the neutral to ground jumper link.
3. Remove the conduit bracket from the bottom of the range electrical box.



4. Disassemble and remove the strain relief from the appliance cord (not included). Insert the tabs on the two parts of the strain relief into the hole on the bottom of the box and reassemble it so that the tabs are below the box and the strain relief itself is inside the box.



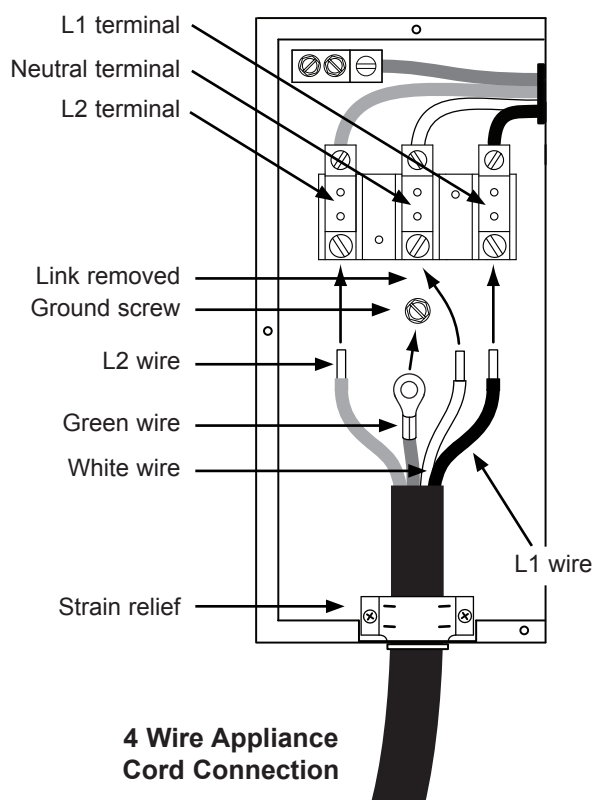
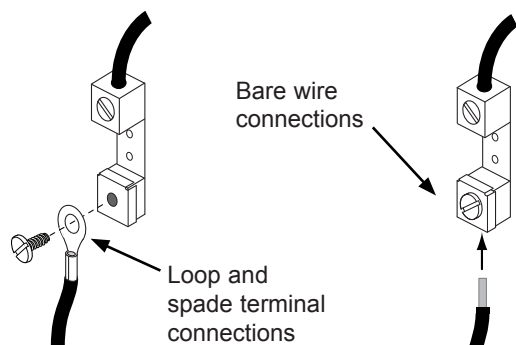
5. Slide the end of the appliance cord into the strain relief from the bottom of the box.
6. Connect the white (neutral) wire to the neutral terminal in the box.
7. Connect the L1 wire to the L1 power supply terminal in the box.
8. Connect the L2 wire to the L2 power supply terminal in the box.
9. If using a 4 wire connection, connect the ground wire to the grounding screw inside the box using a loop or spade terminal.
10. Tighten the strain relief so that the appliance cord is held snugly in place.
11. Replace the range electrical access cover.



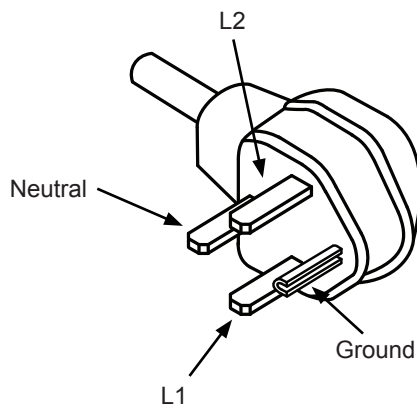


# Installation Instructions

## Gas Connection



**4 Wire Appliance Cord Connection**



**14-50P Plug**

### **⚠ WARNING**

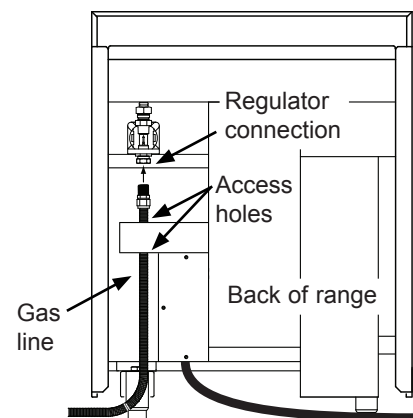
- Make sure the gas supply valve is off and that the power to the range is turned off at the circuit breaker or fuse box prior to connecting the gas line.
- Do not apply excessive pressure when tightening gas connections and fittings.
- Do not use Teflon tape or plumber's putty on gas flex line connections.
- Check for gas leaks as instructed below before using the appliance. Do not use a flame to check for leaks.
- For LP installations, the LP gas tank must have its own high pressure regulator. This is in addition to the pressure regulator provided with the range.
- The maximum gas supply pressure to the regulator must never exceed 1/2 pound per square inch (psi) or 3.5 kPa.
- The range and shut-off valve must be disconnected from the gas supply piping during any pressure testing exceeding 1/2 psi (3.5 kPa).
- The range must be isolated from the gas supply piping by closing the shut-off valve during any pressure testing at or below 1/2 psi (3.5 kPa).
- Be careful not to damage the wires inside the chassis while pushing the gas line through the access holes.

**NOTE:** The gas pressure regulator is pre-set at the factory for the type of gas intended for use with the appliance. To verify that the appliance is compatible with the type of gas available, check the range rating label (see page 3 for location). Ranges intended for use with LP gas will have "LP" as a part of the model number. Consult your dealer if the range is not compatible with the type of gas supplied.

1. Make sure the gas supply valve is in the off position and power to the range is off.
2. Connect a flexible gas supply line to the gas shut-off valve previously installed on the stub out. The gas line needs to be long enough to allow the range to be pulled out for service.
3. Slide the gas line up through the access holes in the chassis and up to the regulator. Move the wires around inside the access holes to prevent them from catching on the gas line as you push it up.
4. Connect the gas line to the regulator.
5. Turn all cooktop control valves to the **OFF** position.



6. Turn on the gas supply and check all lines and connections for leaks using a soap and water solution.
7. Turn the gas shut-off valve to the **OFF** position.



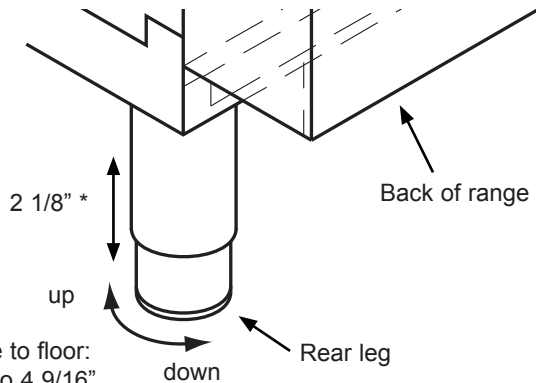
# Installation Instructions

## Final Installation

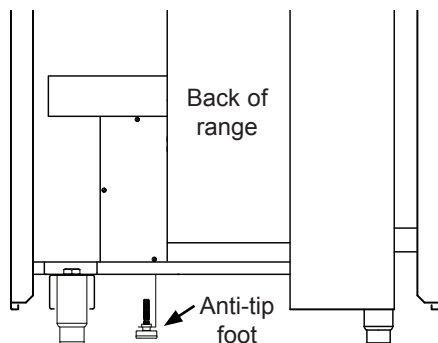
1. Peel the protective plastic coating off of the range, including the range door.
2. Measure from the floor to the countertop.
3. Adjust the leveling legs:

**On freestanding units**, adjust the leveling legs as required to position the trim around the cooktop even with or above the countertop.

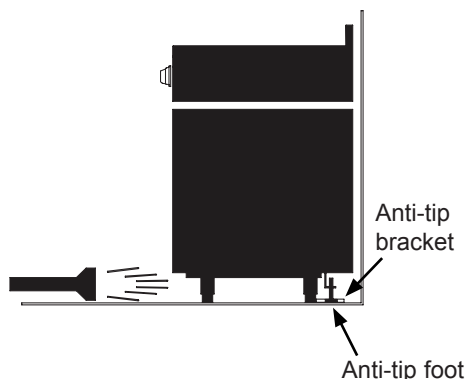
**On self-rimming units**, adjust the leveling legs to position the bottom edge of the range top trim slightly above countertop height.



4. Locate the anti-tip foot on the back of the range and lower (turn) it until it is 1/16" (2 mm) off the floor.



5. Carefully slide the range into position into the cutout. The anti-tip foot should engage the anti-tip bracket. Using a flashlight look underneath the range and verify that the bracket covers the anti-tip foot.



6. Use a level to make sure that the range does not tilt front to back or side to side. Re-adjust the legs to level and change the height if necessary.

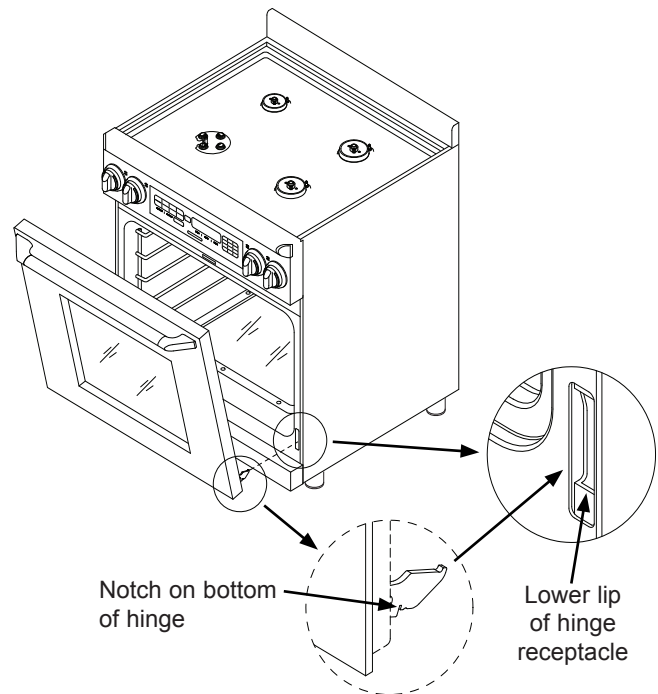
## Re-installing the Oven Door

### **WARNING**

To avoid personal injury or damage to the door from it falling off its hinges:

- Make sure that the notch on the bottom of each hinge rests on top of the lower lip of each hinge receptacle before attempting to open the oven door.
- Rotate the hinge locks toward the front of the range immediately after installation of the door.

1. Grasp the oven door on opposite sides and hold it at a 15° angle from the front of the oven. Slide the hinges into the hinge openings, resting the bottom of the hinge arms on the hinge receptacles. Continue to hold the door at a 15° angle with one hand while pushing in on each of the bottom corners of the door. Push until the notch on the bottom of each hinge slips over the lower lip of each hinge receptacle.



### **Door Installation**

2. Lower the door to the fully opened position.
3. Rotate the two hinge locks toward the oven.
4. Slowly and carefully open and close the door completely to ensure that it is properly installed.
5. Remove any packaging from inside the oven.

# Installation Instructions

## Installing the Burner Knobs

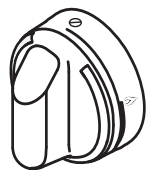
### **WARNING**

Installing the range knobs in the wrong position may result in damage to the griddle included with the range. The knobs for the right burners are marked with the maximum griddle settings.

There are two (2) different types of knobs supplied with the range. The knobs for the right burners have the words “**MAX GRIDDLE**” on them.

**NOTE:** When installing the knobs, align the “D-shaped” opening on the back of the knob with the end of the valve shaft. Carefully push the knob on until it stops.

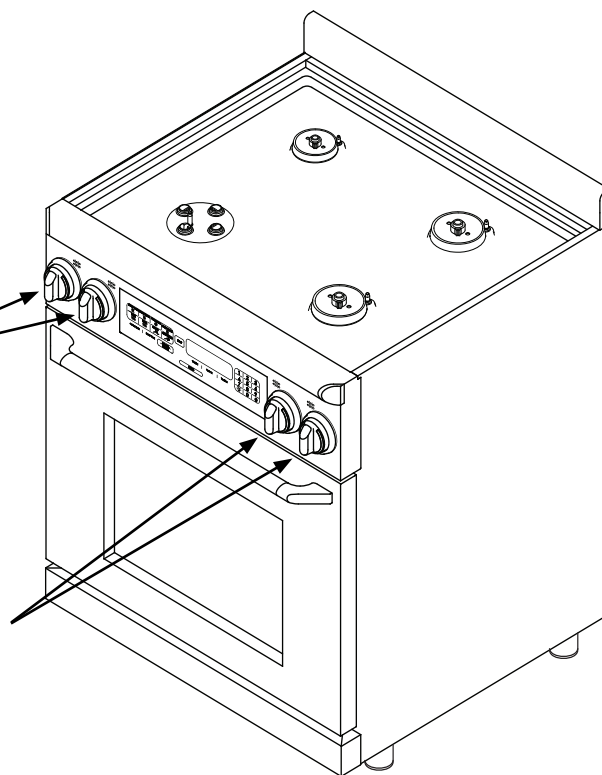
- Put the knobs with the words “**MAX GRIDDLE**” on them onto the right valve shafts.
- Put the remaining knobs on the left valve shafts.



Icons on Left Burner Knobs



Icons on Right Burner Knobs



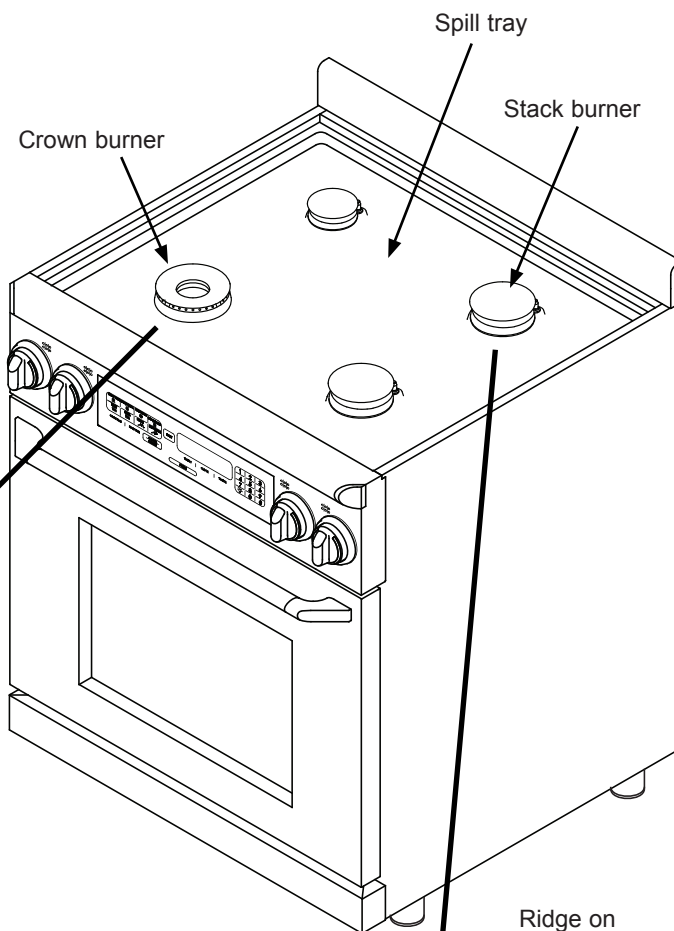
# Installation Instructions

## Cooktop Assembly

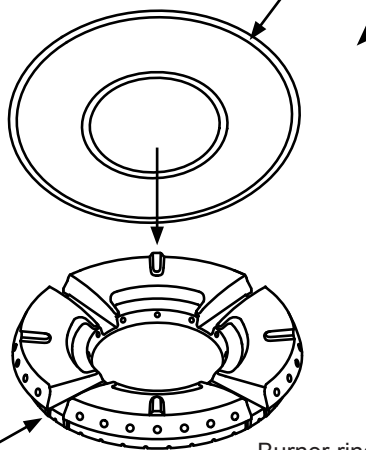
### **WARNING**

Never attempt to operate the range's cooktop with any of the burner rings, burner caps or grates removed.

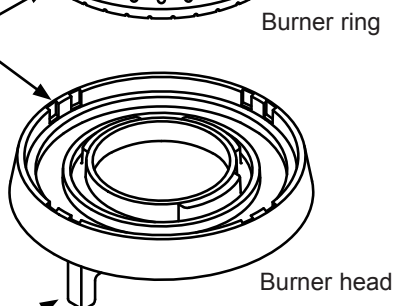
- Remove the burner rings, burner caps and grates from their shipping packages.
- Install the burners as shown.
- Gently set the grates on top of the spill tray. Put the legs of each grate inside the corresponding dimples.



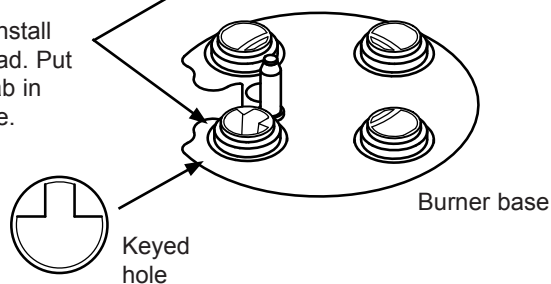
**STEP 3:** Install burner cap. Ridge on cap must surround top of ring.



**STEP 2:** Install burner ring. Line up ring tabs with head slots. Twist back and forth to assure proper seating.

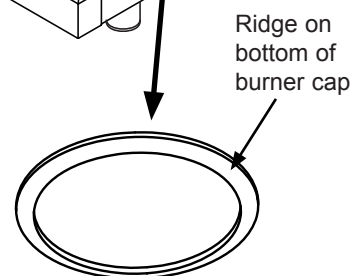


**STEP 1:** Install burner head. Put locating tab in keyed hole.

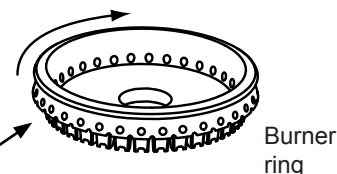


**Crown Burner Installation**

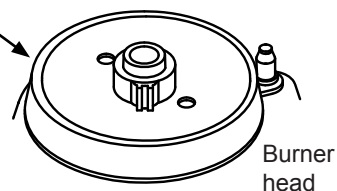
**STEP 3:** Install burner caps. Ridge on cap must surround top of ring.



**STEP 2:** Turn ring until it drops into place. Twist back and forth to assure proper seating.



**STEP 1:** Put burner ring on top of head.



**Stack Burner Installation**

# Installation Instructions

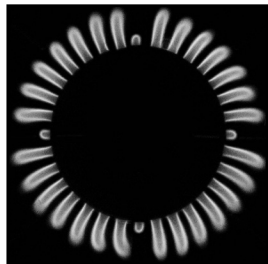
## Verifying Proper Operation

Before operating the range, read the accompanying use and care manual completely.

1. Before beginning the test procedure, ensure that all cooktop control valves are in the **OFF** position, and all burner rings, burner caps and grates are properly positioned on the cooktop frame. Turn on the gas supply at the shut-off valve.
2. Plug in the appliance cord, if applicable. Turn on power to the range at the circuit breaker or fuse box.
3. Set the time of day: Press the clock key. Enter the time on the number keypad (within 6 seconds). Press **START**.
4. Press the **BAKE** key.
5. Enter the temperature of 350°F on the keypad.
6. Press **START**.
7. The display should show **BAKE**, and the preheating temperature.
8. Press the **CANCEL-SECURE** key to stop the oven heating process.



9. Test one of the burners by pushing the knob in and turning it counterclockwise to the **HIGH** position. It may take up to four seconds for ignition to occur, at which time the ignitor will stop sparking. If ignition does not occur within four seconds, turn off the knob, wait for at least five minutes to allow any gas to dissipate, then repeat the ignition test. After ignition, rotate the control knob counterclockwise from **HIGH** to **LOW** to adjust the flame height progressively. When the range is installed properly, the flame will be steady and quiet. It will also have a sharp, blue inner cone that will vary in length proportional to the burner size. Dacor's Smart Flame™ feature reduces the flame under the grate fingers to increase grate life. If the range is equipped for use with LP gas, the ends of the flame may be yellow at the tips, which is normal.



Normal Flame



OFF Icon

10. Turn the control knob to the **OFF** position.
11. Repeat the ignition test for all remaining burners.

If either the oven or cooktop does not operate properly, follow these troubleshooting steps:

1. Verify that power and gas are supplied to the range.
2. Check the electrical connections and gas supply to ensure that the installation has been completed correctly.
3. Repeat the above bake test or burner ignition test.
4. If the appliance still does not work, contact Dacor Distinctive Service at (800) 793-0093 ex. 2822. Do not attempt to repair the appliance yourself. Have the model and serial numbers available when you call. See page 3 for location.

Dacor is not responsible for the cost of correcting problems caused by a faulty installation.

## Installation Checklist

### **WARNING**

- To ensure a safe and proper installation, the following checklist should be completed by the installer to ensure that no part of the installation has been overlooked.
  - Proper installation is the responsibility of the homeowner. The importance of proper installation of your Dacor range cannot be overemphasized.
- Has the plastic coating been peeled off of the outside of the range? Have all packaging materials been removed from inside the oven?
  - Are all leveling legs extended down to make contact with the floor? Is the unit level? See page 16.
  - Is the range secured in place with the provided anti-tip bracket and foot according to these instructions? See pages 9 and 16.
  - If the wall in the back of the cooktop combustible, is a backguard or downdraft vent installed?
  - Is the range wired and grounded according to these instructions and in accordance with all applicable electrical codes? Has the electrical access cover been replaced? See Pages 4 and 10 to 15.
  - Has the gas supply inlet pressure been measured to ensure that it does not exceed the maximums stated in these instructions? See page 4.
  - Is the range connected to the gas supply according to these instructions and in accordance with all applicable codes? See page 15.
  - Did the installer check the gas supply for leaks?
  - Is the oven door properly installed according to these instructions? See page 16.
  - Have the burner knobs been installed in the proper positions? See page 17.
  - Are the burners and grates properly installed according to these instructions? See page 18.
  - Has proper operation been verified?
  - Has the warranty been activated on-line or the warranty card been filled out completely and mailed?

# Notes



***dacor***  
The Life of the Kitchen.®

