

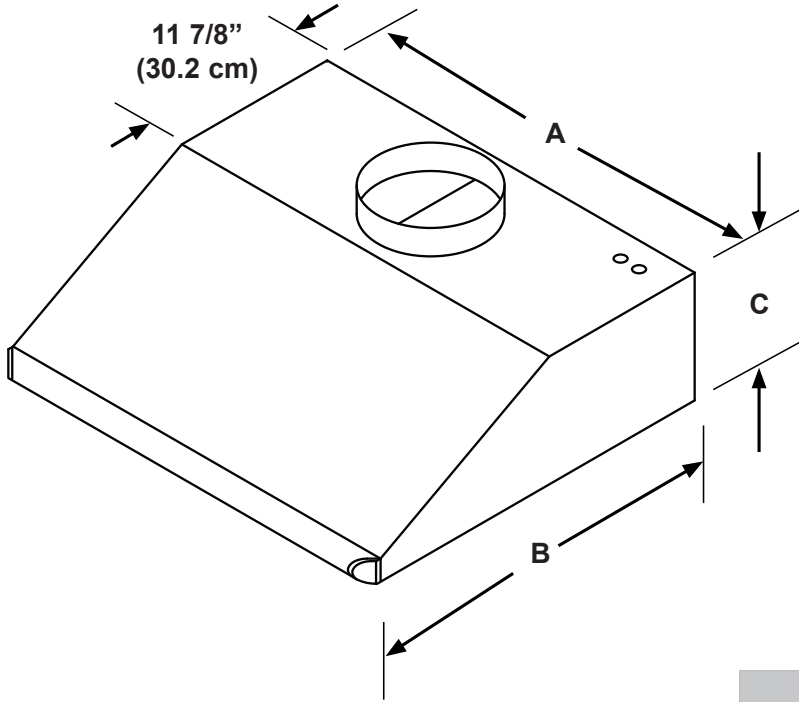
EH, EHR & MH Wall Mount Range Hoods



Revised 04/28/08 **30", 36", 42", 48", 54" Wide Hoods**

PLANNING GUIDE

1/3



OVERALL DIMENSIONS

| OVERALL DIMENSIONS | | | |
|--------------------|--------------------|----------------------|----------------------|
| Model | A | B | C |
| EH/EHR3012 | 29 7/8" (75.9 cm) | 26 7/8" (68.3 cm) | 12 3/8" (31.4 cm) |
| EH/EHR3612 | 35 7/8" (91.1 cm) | | |
| EH/EHR4212 | 41 7/8" (106.4 cm) | | |
| EH/EHR4812 | 47 7/8" (121.6 cm) | | |
| MH3012 | 29 7/8" (75.9 cm) | 25 1/2" (64.8 cm) | 18" (45.7 cm) |
| MH3612 | 35 7/8" (91.1 cm) | | |
| MH4812 | 47 7/8" (121.6 cm) | | |
| EH/EHR3018 | 29 7/8" (75.9 cm) | 26 7/8" (68.3 cm) | 18" (45.7 cm) |
| EH/EHR3618 | 35 7/8" (91.1 cm) | | |
| EH/EHR4218 | 41 7/8" (106.4 cm) | | |
| EH/EHR4818 | 47 7/8" (121.6 cm) | | |
| EH/EHR5418 | 53 7/8" (136.8 cm) | | |
| MH3018 | 29 7/8" (75.9 cm) | 25 1/2" (64.8 cm) | 18" (45.7 cm) |
| MH3618 | 35 7/8" (91.1 cm) | | |
| MH4818 | 47 7/8" (121.6 cm) | | |



NOTES:

1. The exhaust duct(s) and electrical wiring can be connected from either the top or the back of the hood.

EH, EHR & MH Wall Mount Range Hoods



Revised
04/28/08

30", 36", 42", 48", 54" Wide Hoods

2/3

PLANNING GUIDE

GENERAL SPECIFICATIONS

All Models

| | |
|---------------------|--|
| Fan Speeds | 4 |
| Filters | Mesh type, dishwasher safe |
| Exhaust(s) | 8-inch |
| Total Connect Load | 120 Vac, 60 Hz, 9 Amp MAX (10.0 Amp MAX surge) |
| Lights | 120 Vac, 75 W halogen |
| Circuit Requirement | 120 Vac, 15 Amp dedicated, grounded circuit |

Model Specific

| MODEL NUMBER | | | |
|-----------------|----------------------------|-------------|--|
| | EH48, EHR48, MH48, EH54 | EH42, EHR42 | EH30, EHR30, MH30, EH36, EHR36, MH36 |
| Lights | 3 | 2 | 2 |
| Filters | 3 | 3 | 2 |
| Exhaust Outputs | 2 | 1 | 1 |
| Fan* Rating | 1200 CFM | 600 CFM | 600 CFM |

* Does not apply to EHR Series

WEIGHT SPECIFICATIONS

| Models | Weight |
|-----------------------------------|-----------------|
| EH3012, MH3012 | 48 lbs. (22 kg) |
| EH3018, MH3018, EH3612, MH3612 | 53 lbs. (24 kg) |
| EH3618, MH3618 | 57 lbs. (26 kg) |
| EH4212 | 55 lbs. (25 kg) |
| EH4218 | 60 lbs. (27 kg) |
| EH4812, MH4812 | 70 lbs. (32 kg) |
| EH4818, MH4818 | 77 lbs. (35 kg) |
| EH5418 | 84 lbs. (38 kg) |

WEIGHT SPECIFICATIONS

| Model | Weight |
|------------------|-------------------|
| EHR3012 | 39 lbs. (18 kg) |
| EHR3018, EHR3612 | 44 lbs. (20 kg) |
| EHR3618 | 48 lbs. (22 kg) |
| EHR4212 | 46 lbs. (21 kg) |
| EHR4218 | 51 lbs. (23 kg) |
| EHR4812 | 52 lbs. (24 kg) |
| EHR4818 | 59 lbs. (27 kg) |
| EHR5418 | 66.4 lbs. (30 kg) |

EH, EHR & MH Wall Mount Range Hoods



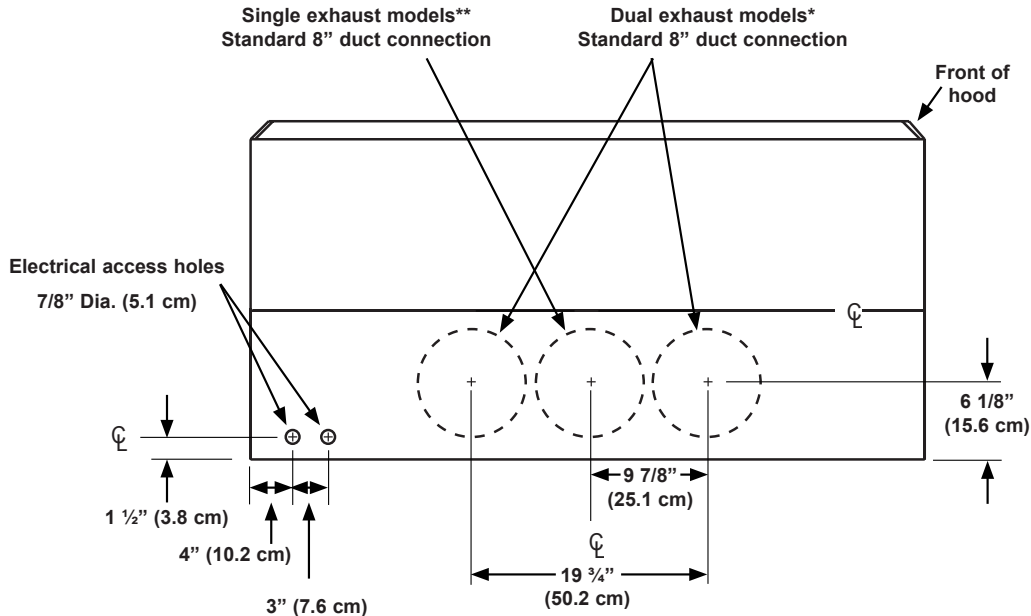
Revised
04/28/08

30", 36", 42", 48", 54" Wide Hoods

3/3

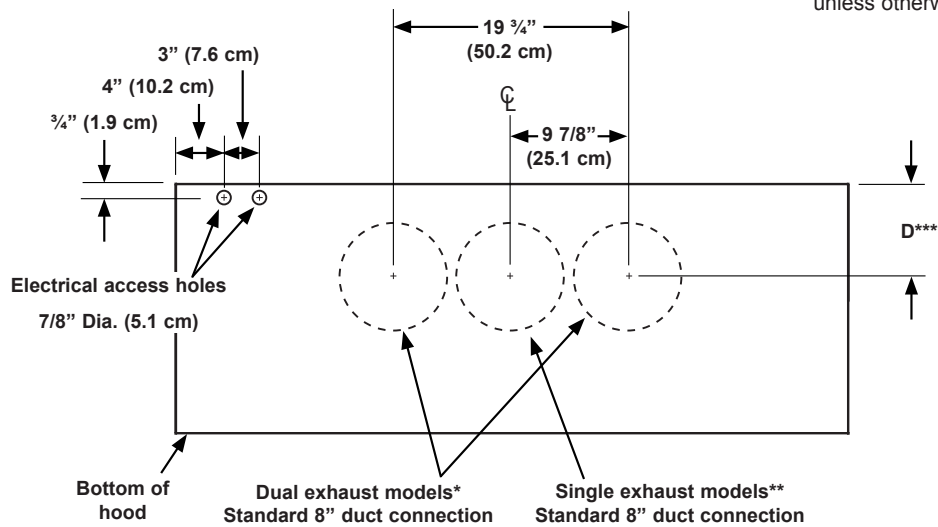
PLANNING GUIDE

NOTE: The exhaust duct(s) and electrical wiring can be connected from either the top or the back of the hood.



Top Dimensions

All tolerances: +1/16", -0, (+1.6mm, -0) unless otherwise stated



Back Dimensions

| Rear Exhaust Placement | |
|------------------------|---------------------|
| Hood Width | D |
| 30" | 9" (22.9 cm) |
| 36" | 8" (20.3 cm) |
| 42" | 17" (43.2 cm) |
| 48" & 54" | 14 7/16" (137.2 cm) |

* Models EH48, EHR48, MH48, EH54, EHR54
** All other models