

SAVE AND READ THESE INSTRUCTIONS

TESTED IN ACCORDANCE WITH THE LATEST EDITION OF ANSI/UL 507 STANDARD FOR ELECTRIC FANS AND CAN/CSA-C22.2 NO. 113 STANDARD FOR FANS AND VENTILATORS.

CONVENTIONS USED IN THESE INSTRUCTIONS



WARNINGS:

Must be followed carefully to avoid personal injury or damage.



NOTES:

Contain helpful hints and tips to facilitate the installation.

IMPORTANT

1. Before beginning installation, please thoroughly read and become familiar with these instructions.
2. Installation and service must be completed by a qualified installer or service agency.
3. Installer: Please leave these Installation Instructions with the owner.
4. Owner: Please keep these instructions for local electrical inspector's use and for future reference.
5. Read the accompanying Use & Care Manual prior to operating this appliance.

TABLE OF CONTENTS

Verifying package contents	Page 2
Installation planning	Page 2
Overall dimensions	Page 2
Cabinet preparation	Page 3
Duct planning	Page 3
Electrical power supply requirements	Page 4
Installing the hood	Page 4
Connecting the electrical power	Page 4
Verifying proper operation	Page 4

IMPORTANT SAFETY INSTRUCTIONS



WARNINGS:

1. Read all instructions before using the appliance.
2. Installation work and electrical wiring must be done by qualified person(s) in accordance with all applicable codes and standards, including fire-rated construction.
3. Sufficient air is needed for proper combustion and exhausting of gases through the flue (chimney) of fuel burning equipment to prevent back drafting. Follow the heating equipment manufacturer's guidelines and safety standards such as those published by the National Fire Protection Association (NFPA), and the American Society for Heating, Refrigeration and Air Conditioning Engineers (ASHRAE), and the local code authorities.
4. When cutting or drilling into wall or ceiling, do not damage electrical wiring and other hidden utilities.
5. Ducted fans must always be vented outdoors.
6. Install or locate this appliance only in accordance with these installation instructions.
7. Do not operate this appliance if it has a damaged electrical conduit or wires, if it is not working properly or if it has been damaged or dropped.
8. This appliance should be serviced only by qualified service personnel. Contact the nearest DACOR Authorized Servicer at (800) 772-7778, or at www.dacor.com for examination, repair or adjustment.
9. If the information in this manual is not followed exactly, a fire or explosion may result causing property damage, personal injury, or death.
10. Do not store or use gasoline or other flammable vapors and liquids in the vicinity of this or any other appliance.
11. Improper installation, adjustment, alteration, service, or maintenance can cause personal injury or property damage. Refer to these instructions and the accompanying Use & Care Manual. For assistance or additional information, consult a qualified installer, service agency, or dealer.
12. Keep appliance area clear and free from combustible material.
13. To reduce the risk of fire, use only approved ductwork materials.
14. TO REDUCE THE RISK OF FIRE, ELECTRIC SHOCK, OR INJURY TO PERSONS, OBSERVE THE FOLLOWING:
 - a) Use this unit only in the manner intended by the manufacturer. If you have questions, contact the manufacturer.
 - b) Before servicing or cleaning unit, switch power off at service panel and lock the service disconnecting means to prevent power from being switched on accidentally. When the service disconnecting means cannot be locked, securely fasten a prominent warning device, such as a tag, to the service panel. Exception: The additional safety instructions do not apply to a ceiling-suspended fan.
15. For General Ventilating Use Only. Do Not Use To Exhaust Hazardous Or Explosive Materials And Vapors.
16. TO REDUCE THE RISK OF A RANGE TOP GREASE FIRE:
 - a) Never leave surface units unattended at high settings. Boilovers cause smoking and greasy spillovers that may ignite. Heat oils slowly on low or medium settings.
 - b) Always turn hood ON when cooking at high heat or when cooking flaming foods.
- c) Clean ventilating fans frequently. Grease should not be allowed to accumulate on fan or filter.
- d) Use proper pan size. Always use cookware appropriate for the size of the surface element.
17. TO REDUCE THE RISK OF INJURY TO PERSONS IN THE EVENT OF A RANGE TOP GREASE FIRE, OBSERVE THE FOLLOWING:
 - a) SMOTHER FLAMES with a close-fitting lid, cookie sheet, or metal tray, then turn off the burner. BE CAREFUL TO PREVENT BURNS. If the flames do not go out immediately, EVACUATE AND CALL THE FIRE DEPARTMENT.
 - b) NEVER PICK UP A FLAMING PAN - You may be burned.
 - c) DO NOT USE WATER, including wet dishcloths or towels - a violent steam explosion will result.
 - d) Use an extinguisher ONLY if:
 - 1) You know you have a Class ABC extinguisher, and you already know how to operate it.
 - 2) The fire is small and contained in the area where it started.
 - 3) The fire department is being called.
 - 4) You can fight the fire with your back to an exit.

Verifying the Package Contents

- Use and Care Manual
- Filters
- Lamps, Halogen 75W
- Suction Cup

Installation Planning

A qualified technician must complete the installation of this built-in appliance. Proper installation is your responsibility.

Carefully check the location where the hood is to be installed. The hood should be placed for convenient access. Make certain that electrical power can be provided in the selected location.

Plan the installation so that all minimum clearances are met or exceeded. Dimensions shown provide minimum clearances, unless otherwise noted.

The specified minimum cabinet depth and width must be provided.

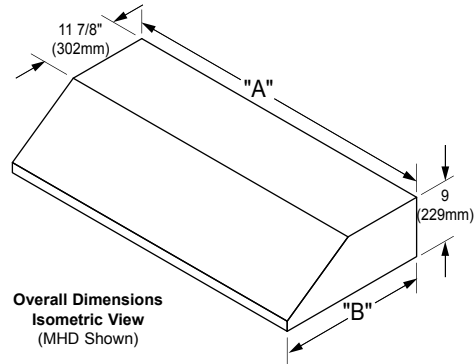
Cabinet cutout dimensions must be used as indicated. All contact surfaces between the appliance and the cabinet must be solid and level.

Make certain that you have everything necessary to ensure a proper installation before proceeding.

NOTE:

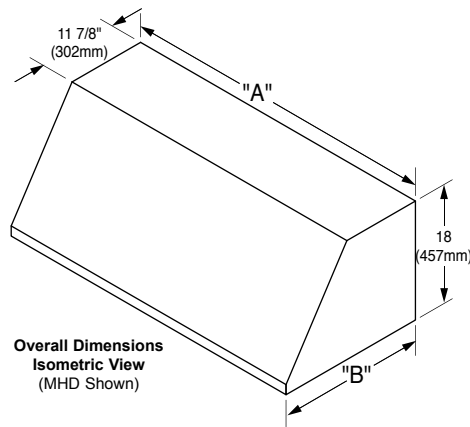
All dimensional tolerances are + 1/16", - 0" unless otherwise stated.

Overall Dimensions



Model No.	Dimension "A" Overall Width	Dimension "B" Overall Depth
EHD3009 EHDR3009	29 7/8" (759mm)	24" (610mm)
EHD3609 EHDR3609	35 7/8" (911mm)	
EHD4209 EHDR4209	41 7/8" (1064mm)	
EHD4809 EHDR4809	47 7/8" (1216mm)	
MHD3009	29 7/8" (759mm)	22 1/2" (571mm)
MHD3609	35 7/8" (911mm)	
MHD4809	47 7/8" (1216mm)	

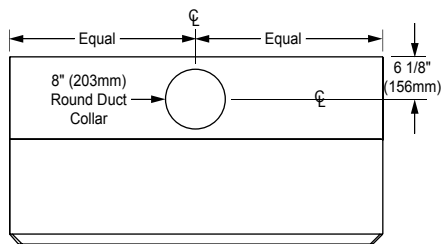
9" Hood Overall Dimensions



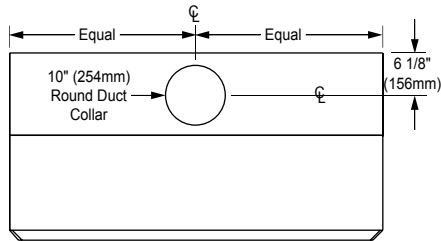
Model No.	Dimension "A" Overall Width	Dimension "B" Overall Depth
EHD3018 EHDR318	29 7/8" (759mm)	26 7/8" (683mm)
EHD3618 EHDR3618	35 7/8" (911mm)	
EHD4218 EHDR4218	41 7/8" (1064mm)	
EHD4818 EHDR4818	47 7/8" (1216mm)	
EHD5418 EHDR5418	53 7/8" (1368mm)	
MHD3018	29 7/8" (759mm)	25 1/2" (648mm)
MHD3618	35 7/8" (911mm)	
MHD4818	47 7/8" (1216mm)	

18" Hood Overall Dimensions

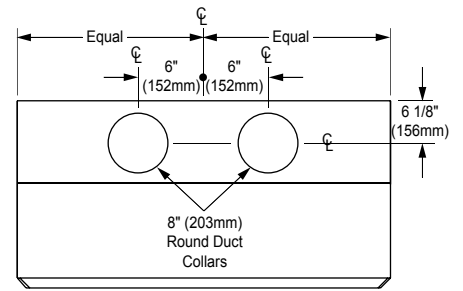
Exhaust Duct Locations



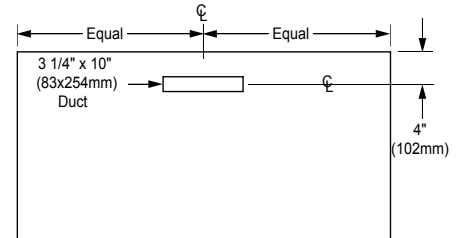
Vertical Exhaust Duct Location
3009, 3609, 3018, & 3618
Top View
(EHD Shown)



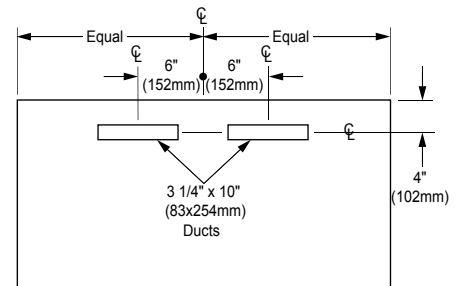
Vertical Exhaust Duct Location
4218, 4818, & 5418
Top View
(EHD Shown)



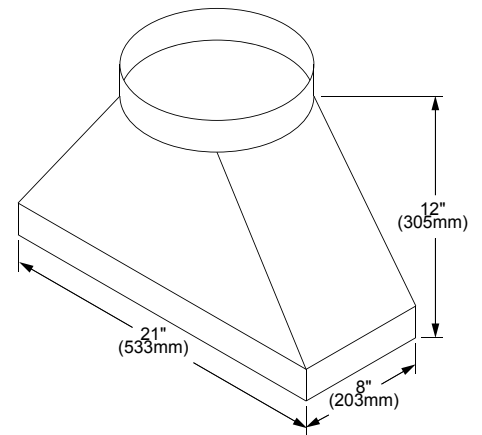
Vertical Exhaust Duct Location
4209 & 4809
Top View
(EHD Shown)



Horizontal Exhaust Duct Location
3018 & 3618
Rear View
(EHD Shown)

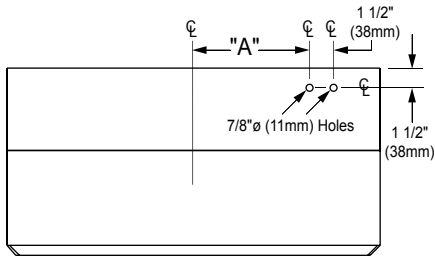


Horizontal Exhaust Duct Location
4218, 4818, & 5418
Rear View
(EHD Shown)

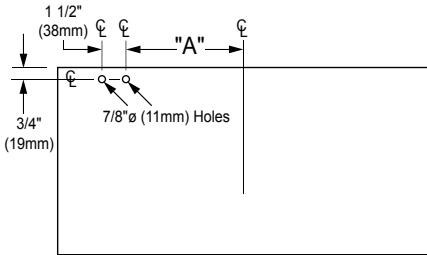


ADT10 Custom Transition
4209 & 4809
Isometric View

Electrical Conduit Locations



Vertical Electrical Conduit Locations
Top View
(EHD Shown)



Horizontal Electrical Conduit Locations
Top View
(EHD Shown, 18" Hoods Only)

Hood Width	Dimension "A" Conduit Location
30"	9" (229mm)
36"	8" (203mm)
42"	17" (432mm)
48" & 54"	14 7/16" (367mm)

Electrical Conduit Locations

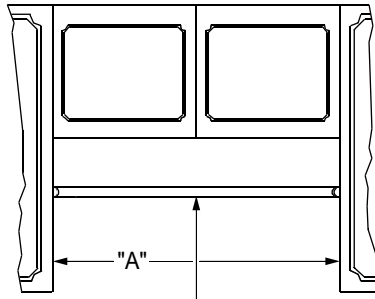
Cabinet Preparation

WARNING:

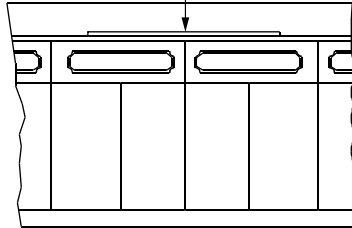
Failure to provide proper minimum clearance may result in a fire or safety hazard.

NOTES:

- Minimum hood clearances are zero inches (0") to the rear, sides and top of the hood.
- Thirty inches (30") is the minimum distance between the bottom of the hood and any cooking surface.
- Maximum effective clearance from cooking surface to bottom of hood is 36" (914mm).



30" (762mm) Minimum
from cooktop surface to bottom of hood



Cabinetry Planning

Hood Width	Dimension "A" Cutout Width
30"	30" (762mm)
36"	36" (915mm)
42"	42" (1067mm)
48"	48" (1219mm)
54"	54" (1372mm)

Cabinet Cutout Width

Duct Planning

WARNINGS:

- CAUTION:** To reduce the risk of fire and to properly exhaust air, be sure to duct air outside. Do not vent exhaust air into spaces within walls or ceilings, or into attics, crawl spaces or garages.
- Tape all duct joints securely to prevent combustion by-products, smoke or odors from entering the home. This will also improve the efficiency of the system.
- Do not exhaust more than one vent into a single duct run.
- Only use ductwork constructed of materials deemed acceptable by state, municipal and local codes.

NOTES:

- Best performance is achieved by using round duct instead of rectangular, especially when elbows are required.
- If multiple elbows are needed, ensure that there is a minimum of 24" of straight duct between any two elbows.
- Avoid "S" or "back to back" configurations caused by adjacent elbows.
- Thermal breaks, such as a short section of non-metallic duct, should be used in areas of extreme cold.
- A back-draft damper at the duct outlet may also be required.
- Do not use flexible metal duct.
- Do not use ductwork that is smaller in cross-sectional area than the recommended size duct.
- Do not rely on duct tape alone to seal duct joints. Use sheet metal screws as require to support the duct weight.
- The vent hood and cooking appliance(s) must be removable if service is required.
- Be certain that the ductwork does not interfere with floor joists or wall studs.
- It is important to keep as few turns in the duct run, and to keep the run as short as possible.

Refer to Table below for recommended maximum straight lengths of duct to provide adequate performance. Refer to Table on page 4 for recommended sheet metal elbows, transitions, and wall cap equivalent straight lengths.

NOTE:

The In Line Blower must be located within 60 equivalent feet of the hood canopy system.

Model Number	Duct Size	Maximum Equivalent Straight Lengths			
		Internal	ILB8	REMP3	ILB8 & REMP3
EHD MHD	8" Round	60'	140'	140'	-
	10" Round	50'	100'	100'	-
	3 1/4" x 10"	50'	100'	100'	-
EHDR MHDR	8" Round	-	60'	60'	140'
	10" Round	-	50'	50'	100'
	3 1/4" x 10"	-	50'	50'	100'

Recommended Maximum Straight Lengths

3 1/4" x 10" 90° Elbow 15 Feet	3 1/4" x 10" 45° Elbow 7 Feet	3 1/4" x 10" Wall Cap 2 Feet	3 1/4" x 10" 90° Flat Elbow 20 Feet
Transition 3 1/4" x 10" to Round 6" Diameter - 4 Feet 7" Diameter - 4 Feet 8" Diameter - 4 Feet 10" Diameter - 4 Feet	45° Elbow - Round Duct 6" Diameter - 6 Feet 7" Diameter - 5 Feet 8" Diameter - 3 Feet 10" Diameter - 2 Feet	90° Transition 3 1/4" x 10" to 8" Round 25 Feet	90° Elbow - Round Duct 6" Diameter - 12 Feet 7" Diameter - 10 Feet 8" Diameter - 7 Feet 10" Diameter - 5 Feet

Recommended sheet metal elbows, transition, and wall cap equivalent straight lengths

Electrical Power Supply Requirements

NOTES:

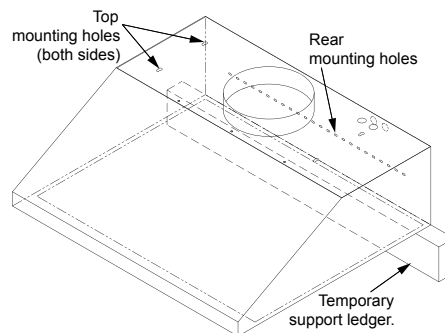
- If the power supply requirements shown do not agree with those listed on the product data plate, provide a power source per the information found on the product data plate.
- If the electrical service provided does not meet the product specification, or does not conform to the NEC or local standards, do not proceed with the installation. Call a licensed electrician to correct the electrical service before proceeding.
- It is the owner's responsibility to ensure that electrical installation of this appliance is performed by a qualified electrician. The electrical installation must comply with the National Electric Code ANSI/NFPA 70-1990 (or to latest revision) and local codes and ordinances.
- Failure to disconnect electric power may result in electrical shock or fire hazard.

The correct voltage, frequency, and amperage must be supplied to the appliance from a separate, grounded, circuit that is protected by a properly sized circuit breaker or time delay fuse. Refer to the data plate located on the blower housing, inside the filter area, and/or to Table below.

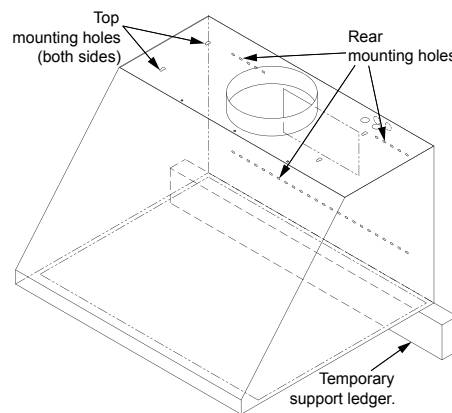
Electrical Supply Requirements	
120VAC, 60 Hz, 15A Dedicated Circuit	
Total Connected Load	1.4kW (12A)

Installing the Hood

First temporarily mount a 2x4 ledger board 30" (762mm) from the finished countertop. Then, remove the filters from the hood canopy and remove the shields below the power ventilator. Secure the hood through the keyhole slots in the top of the hood and/or the slot hole in the rear of the hood. Remove the temporary support ledger.



Temporary Support Ledger Installation (9" MHD shown)

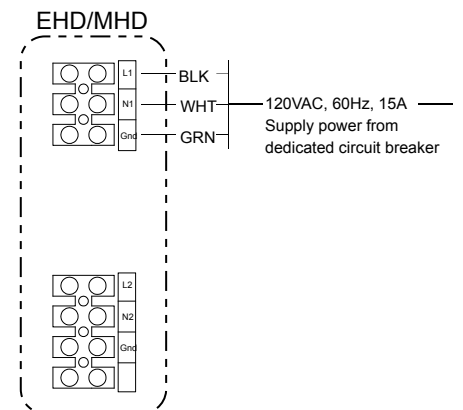


Temporary Support Ledger Installation (18" MHD shown)

- The hood must be properly grounded at all times before power is applied.
- Do not ground the hood with the neutral (white) house supply wire. A separate wire must be utilized.
- If aluminum house supply wiring is used, splice the hoods copper wires to the aluminum house wiring with special connectors designed and agency-certified for this purpose. Follow the connector manufacturer's recommended procedure carefully. Improper connection can result in a fire hazard.
- Failure to complete electrical connections properly may result in a damaged or a non-functional system. Follow the wiring diagrams carefully to ensure a proper installation.

Electrical power source wiring can be connected through the top or back of the hood. Access the wiring inside the hood canopy in the area to the right side of the power ventilator.

Connect the pre-wired 12" long black, white and green wires to the corresponding black, white and ground (green) wire from the power source wiring. Use wire nut connectors to secure the connections.



EHD/MHD Hood Wiring Diagram

Connecting the Electrical Power

WARNINGS:

- Ensure that the power is disconnected before proceeding.
- Verify that power supply matches the rating found on the hoods data plate before proceeding.

Verifying Proper Operation

Install filters

Verify that the hood control knobs are in the OFF position.

Turn on the main power supply.

The hood has two knobs that control the function of the hoods Halogen lights and the exhaust blower. Turning the knobs clockwise will turn on the lights and the blower. The blower has an infinite speed range between these settings.



WARNINGS:

If the hood does not operate properly, follow these troubleshooting steps:

- 1. Verify that power is being supplied to the hood.**
- 2. Check the electrical connections to ensure that the installation has been completed correctly.**
- 3. Repeat the above test.**
- 4. If the appliance still does not work, contact an authorized DACOR service company at (800) 772-7778. Do not attempt to repair the appliance yourself. DACOR is not responsible for service required to correct a faulty installation.**

NOTES:

**Specifications contained within are subject to change without notice.
No liability is assumed by DACOR for changes in specifications.**

Web Site: www.dacor.com
For a Dealer/Service: (800) 772-7778
Corporate Phone: (800) 793-0093

