

SAVE AND READ THESE INSTRUCTIONS

TESTED IN ACCORDANCE WITH THE LATEST EDITION OF ANSI/UL 858-2001 AND CAN/CSA-C22.2 NO. 64 STANDARD FOR HOUSEHOLD ELECTRIC COOKING AND LIQUID HEATING APPLIANCES.

CONVENTIONS USED IN THESE INSTRUCTIONS



WARNINGS:

Must be followed carefully to avoid personal injury or damage.



NOTES:

Contain helpful hints and tips to facilitate the installation.

IMPORTANT

1. Before beginning installation, please thoroughly read and become familiar with these instructions.
2. Installation and service must be completed by a qualified installer or service agency.
3. Installer: Please leave these Installation Instructions with the owner.
4. Owner: Please keep these instructions for local electrical inspector's use and for future reference.
5. Read the accompanying Use & Care Manual prior to operating this appliance.

TABLE OF CONTENTS

Verifying the package contents	Page 2
Planning installation	Page 2
Planning the electrical	Page 2
Planning the water supply	Page 2
Planning the drain	Page 3
Installing the dishwasher	Page 3
Installing the door front panel	Page 4
Installing final hook ups	Page 4
Verifying proper operation	Page 5
Installing front toe-kick plate	Page 5

IMPORTANT SAFETY INSTRUCTIONS

WARNINGS:

WHEN USING YOUR DISHWASHER, BASIC SAFETY PRECAUTIONS SHOULD ALWAYS BE FOLLOWED TO REDUCE THE RISK OF FIRE, ELECTRICAL SHOCK, AND/OR INJURY TO PERSONS, INCLUDING THE FOLLOWING:

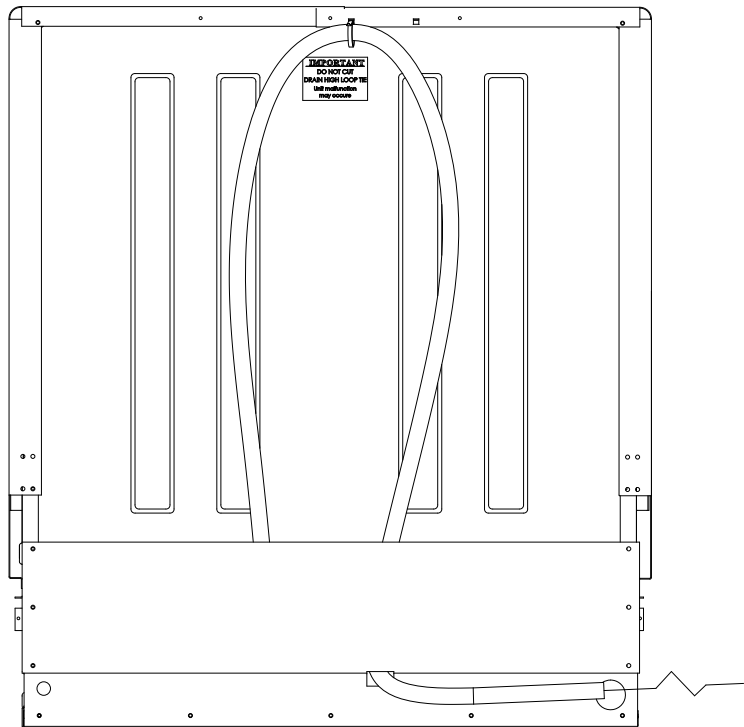
Observe all codes during construction and installation. Contact a qualified installer to insure that the electrical and plumbing installations meet all national and local codes and ordinances. Properly install the dishwasher. Use only the dimensions and specifications indicated in Dacor dishwasher literature.

1. Read all of the Use and Care Manual and Installation Instructions before using the dishwasher.
2. Use the dishwasher only for its intended function.
3. Use only detergents that are recommended for use in a dishwasher and keep them out of the reach of children.
4. When loading items to be washed:
 - Locate sharp items so that they are not likely to damage the door seal.
 - Load sharp knives with the handle up to reduce the risk of cut-type injuries.
5. Do not wash plastic items unless marked "dishwasher safe".
For plastic items not marked dishwasher safe, check the manufacturer's cleaning instructions.
6. Do not operate your dishwasher unless all the enclosure panels are properly in place.
7. Do not tamper with the controls.
8. Do not abuse, sit on, or stand on the door or dish rack of the dishwasher.

9. To reduce the risk of injury, do not allow children to play in or on the dishwasher.
10. Under certain conditions, hydrogen gas may be produced in a hot water system that has not been used for two weeks or more. Hydrogen gas is explosive. If the hot water system has not been used for such a period, before using the dishwasher turn on all hot water faucets and let the water flow from each for several minutes. This will release any accumulated hydrogen gas. As the gas is flammable, do not smoke or use an open flame during this time.
11. Remove the door to the washing compartment when removing an old dishwasher from service or discarding.

WARNING:

The factory mounted High Loop must be left in place to ensure proper dishwasher operation. Do not cut tie strap or lower hose. If additional length is needed to make the drain connection, install an aftermarket drain extension kit readily available at most home improvement stores.



Rear View - Drain high loop shown

Verifying the Package Contents

If any item is missing or damaged, please contact your dealer immediately. Do not install a damaged or incomplete appliance.

- Use & Care Manual
- Small Particle Filter
- Medium Particle Filter
- Large Particle Filter
- Silverware Basket
- Upper Rack
- Lower Rack
- Stainless Steel Cleaner (ED Models Only)

Planning Installation

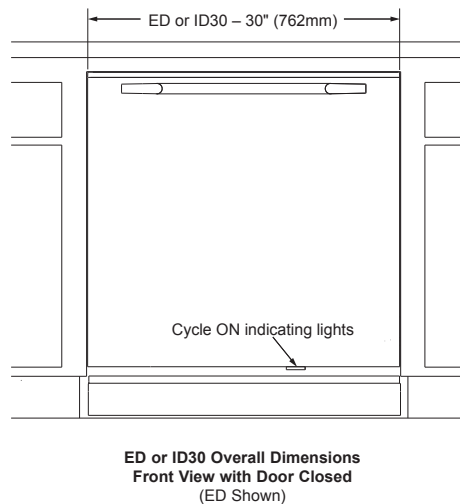
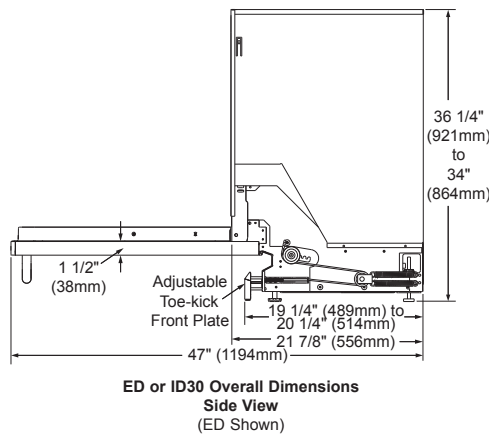
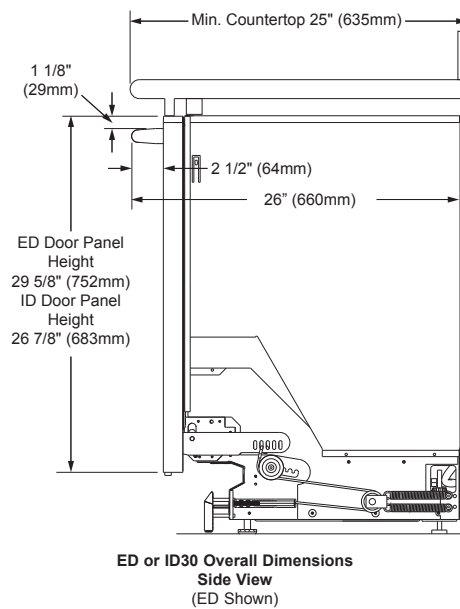
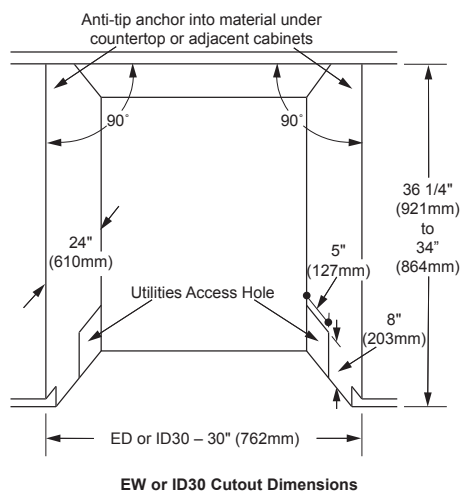
IMPORTANT:

All cabinet and countertop minimum dimensions, as seen in the illustrations on this page, must be followed during your dishwasher installation to insure safe operation.

This dishwasher must be leveled and secured to the material under the countertop or adjacent cabinets for proper safety and operation.

Your Dacor integrated dishwasher model number ID ships without a front panel and is ready for the application of a custom integrated cabinet front.

Remove the dishwasher from the shipping carton and place the unit to the side of the cabinet opening. Using caution, remove all of the packing materials from inside and outside of the unit. DO NOT allow any of the shipping material, screws or plastic to remain in the bottom of the tank. Remove the racks and set aside for later installation.



Planning the Electrical

WARNING:

Improper connection of the equipment grounding can result in risk of electric shock. Check with a qualified electrician or service representative if you are in doubt as to whether the appliance is properly grounded.

IMPORTANT:

Local codes may permit a U.L. listed/CSA-certified, grounded power supply cord for connection to a grounded receptacle or an armored non-metallic sheathed, copper wire with ground to connect to a junction box.

Care should be exercised when the appliance is installed or removed, to reduce the likelihood of damage to the power cord. If the power cord is damaged it must be replaced by a Dacor Authorized Service Agent, or similar qualified person, in order to avoid a hazard. The power supply receptacle for the appliance should be installed in a cabinet or on the wall adjacent to the dishwasher cutout space.

Electrical supply should be 120VAC, 60Hz, 15-ampere with a separate time delay fuse or circuit breaker serving only this appliance. A grounded electrical power supply cord is supplied with the dishwasher. The electrical power source must be a metal ground wiring system, which is not connected to a gas pipe. Do not install a fuse in the neutral or ground circuit.

Turn off the power at the main fuse or breaker location before proceeding with the installation. Prepare the electrical receptacle for final connection inside the adjacent cabinet.

Planning the Water Supply

WARNING:

Any solder connections must be made before the water line is connected to the dishwasher. Do not solder within six inches of the inlet valve.

IMPORTANT:

The water supply line should have its own shut-off valve located where it is easily accessible after the dishwasher is installed.

A 3/8 inch flexible braided water line is supplied for connection to an existing hot water valve located under the sink. Connection required to a hot water supply with pressure between 20 and 120 psi (138-862kPa). The household hot water heater should supply a minimum of 120 degree F. water to the dishwasher location for best results.

Wait for the Verifying Proper Operation section to make all under sink connections for drain, water supply and electrical.

Planning the Drain

IMPORTANT:

A drain line hose is supplied with the product. Should you require a longer drain hose, it is important that the installer utilize a hose approved for detergents and high temperature water.

The drain hose supplied with the dishwasher meets an AHAM DW-1 test standard. You must install an air gap in the drain if the drain hose is connected to household plumbing lower than 20 inches (508mm) from the floor.

A disposal drain or waste tee must be a minimum of 20 inches (508mm) from the floor. The drain hose must be installed to an inlet or waste tee above the drain trap in the household plumbing. The drain hose supplied with the dishwasher should be connected to a minimum 1/2 inch I.D. drain connection. Longer replacement drain hoses should be made from detergent and heat resistant material and should not exceed 12 feet in length.

Install the air gap in the sink or countertop area adjacent to the dishwasher. Hook up a section of drain hose (supplied by the installer) from the air gap to the disposal. See disposal manufacturer's installation instructions for correct drain hose mounting techniques.

Exercise caution; do not kink or pinch the drain hose while installing the dishwasher in the opening.

Wait for the Verifying Proper Operation section to make the final drain line connection from the dishwasher to the air gap.

Installing the Dishwasher

WARNING:

Excessive Weight Hazard

- Use two or more people to move and install this dishwasher
- Failure to do so can result in back or other injury

Tip Over Hazard

- Do not use the dishwasher until it has been completely installed with anti-tip brackets

- Do not push down on the door when open, doing so can result in serious injury or cuts and damage to the unit.

IMPORTANT:

Do not allow any material or the electrical supply to be directly behind the dishwasher when it is pushed back into the opening. Take care to feed the drain hose, water supply line and electrical cord into the adjacent cabinet space without pinching these items. Damaged water supply or drain lines, due to poor installation techniques, can cause unnecessary water damage not covered under warranty.

Begin the dishwasher installation with the unit setting in front of the opening. To expose the leveling legs the toe-kick plates must be removed. To remove the toe-kick front plate, manually slide it forward removing it from the chassis. To remove the toe-kick rear plate, take out the mounting screws. Feed the drain hose, electrical cord, and water supply line through the access hole in the side of the cabinet. Slide the dishwasher back into the opening while working the lines into the cabinet. Stop when the dishwasher contacts the back wall or aligns with the front cabinet opening.

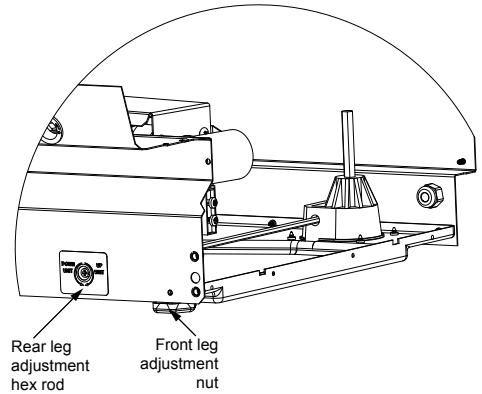
WARNING:

1. Do not use a power driver to adjust the rear leveling legs, doing so may damage the dishwasher.
2. Do not over torque the leveling legs, this will cause distortion in the dishwasher tank leading to door alignment problems.
3. To prevent damaging the dishwasher, adjust the leveling legs only 1/2" (13mm) per leg at a time.

Leveling the Dishwasher

To align the dishwasher correctly inside the cabinet opening, the legs must be adjusted to level the appliance. After centering the appliance in the opening, leveling can be accomplished by adjusting all four leveling legs. To verify front to back level, remove the lower rack from the dishwasher and place a level on the tank side wall rack guides. To verify left to right level, place a level on the tank lower front frame. To adjust the front leveling legs, place a wrench on the top of each leg and adjust where the top of the dishwasher tank front trim is flush with the lower edge of the countertop. To adjust the rear leveling legs, rotate the #2 phillips drive shafts, located at the toe-kick, to level the dishwasher from front to back and left to right.

It is important to level the dishwasher from left to right and front to back. Shimming may be required on extremely uneven flooring materials. If shims are needed, place the shim(s) under the adjustable legs.



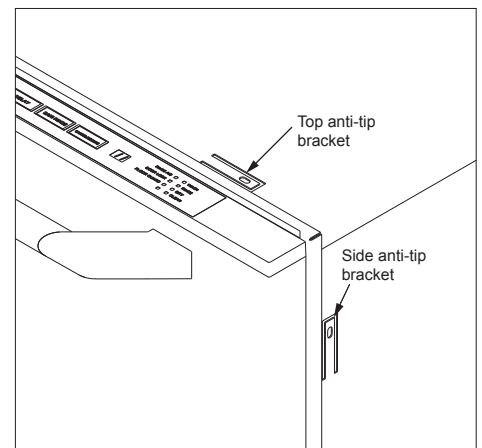
Leveling Adjustment Locations

IMPORTANT:

1. Make sure to anchor at least one anti-tip bracket on each side of the dishwasher.
2. The anchoring material must be no more than 1/4" (6mm) from the anti-tip bracket.

Securing Anti-Tip Brackets

To protect against possible tipping, caused by heavy bottom rack loads on the door, be sure to utilize the anti-tip brackets. There are anti-tip mounting locations provided thought the top of the dishwasher front frame and thought the sides of the dishwasher front frame. For recommended side anti-tip bracket anchoring, insert the anchoring screw through the 1/2" diameter tank access hole making sure that the anchoring screw passes through the anti-tip bracket located on the outside of the dishwasher. For alternate top anti-tip bracket anchoring, insert the anchoring screw through the 1/2" diameter tank access hole making sure that the anchoring screw passes through the anti-tip bracket located on the outside of the dishwasher.



Anti-Tip Bracket Locations

Installing Custom Door Front Panel (ID Model Only)

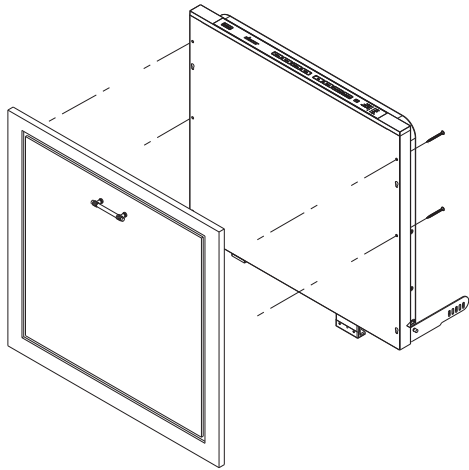
Model	Width	Maximum Height	Maximum Thickness
ID30	29 7/8" (759mm)	30" (762mm)	3/4" (19mm)

Custom Panel Overall Dimensions

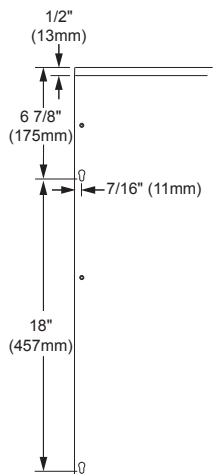
Cabinet panel installation

See the integrated template for full installation instructions of the custom panel. If the custom cabinet panel requires decorative door hardware, then the hardware should be mounted on the panel before proceeding to the next installation step.

With the dishwasher door in the closed position align the custom panel flush with the control panel bezel and center it on the door front frame. Utilize the keyholes to hold the panel. Align the cabinet panel and slowly lower the door and panel to it's full open position. Soft clamp the cabinet panel to the dishwasher front and attach the panel to the dishwasher door front utilizing the four mounting holes. Four #10 stainless steel flathead screws are provided for installation of decorative panels with a minimum thickness of 5/8" and a maximum thickness of 3/4". The four mounting holes are located on the inside of the door frame with two near the top of the door panel and two approximately half way down the door panel.



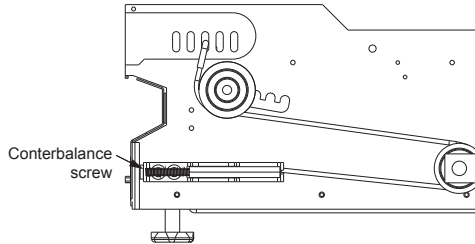
Custom Panel Installation



Keyhole Locations

If necessary door counterbalance adjustment can be accomplished by, adjusting the counterbalance screws located at the bottom of the chassis to the left and right of the rear top kick panel. The counterbalance screws will allow adjustment for a panel approximately 30% lighter than the 20 pound factory setting.

For toe-kick, see Installing Front Toe-Kick Plate section.



Adjusting the Dishwasher Door

Installing the Final Hook Ups

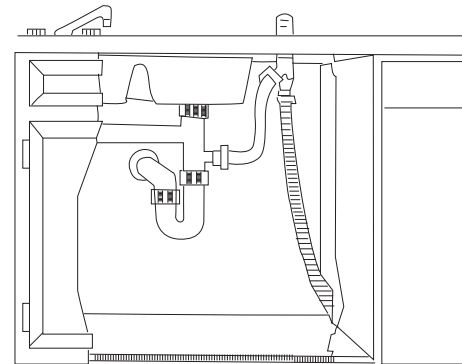
Water Supply

Connect the 3/8" flexible braided water line (provided) supply line to the hot water valve in the under sink cabinet. Check for leaks after turning on the water at the valve.

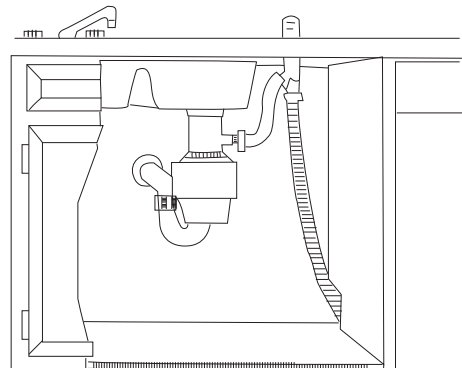
Drain Line

Connect the flexible drain line to the air gap and tighten the holding clamp. Check to make sure the drain line from the air gap to the disposal/drain trap is complete and that the clamps are tight. For those installations without an air gap. See the illustrations below and to the right.

Method 1 - Air gap with waste tee or disposer.

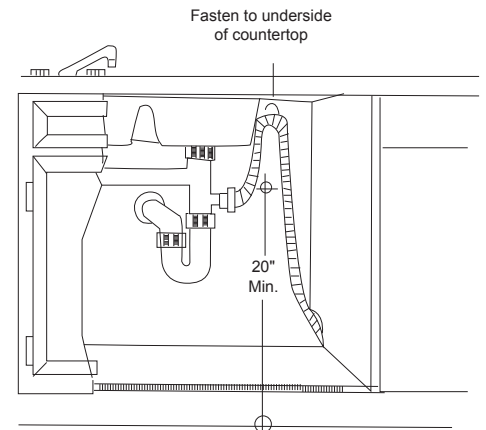


Waste Tee Installation

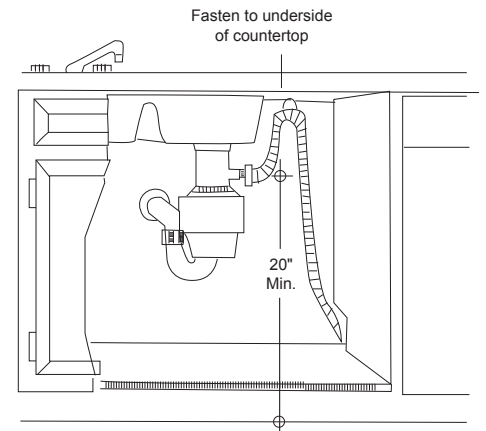


Disposer Installation

Method 2 - High drain loop with waste tee or disposer.



Waste Tee Installation



Disposal Installation

Electrical

Insert the power cord plug into the grounded receptacle, and turn on main panel power source.

Verifying Proper Operation

▼ IMPORTANT:

At this time the adjustable lower toe-kick finish panel has not been installed. This is to allow for a final visual inspection for leaks at the inlet valve, drain line and pump. Install the adjustable lower toe-kick finish panel at the conclusion of the “Verifying Operation” process.

Pre-verification check list

- Confirm that the main power source is off.
- Remove all packing material from inside the dishwasher.
- Check the orientation of the bottom door seal. The seal “bulb” should be facing into the tank. If it is oriented towards the exterior of the door, open dishwasher door fully and orientate the door seal so that it is facing in to the tank.
- Familiarize yourself with the dishwasher operations by reading the Use & Care manual.
- Remove the any protective film, if present from the control panel, door panel, etc.
- Verify that all wiring is secure and is not being pinched or in contact with door springs or any other dishwasher components.
- Verify that the dishwasher is level by pulling the lower rack about half way out and making sure that the rack does not roll back into to dishwasher or further out. If it does, relevel the dishwasher.
- Add two quarts of water to the bottom of the dishwasher to lubricate the pump seal.
- Turn on the water supply and check for plumbing leaks. Tighten connections if necessary.
- Verify that door springs do not come in contact with any dishwasher components.
- Verify the hot water temperature by turning on the hot water faucet at the sink. The water going to the dishwasher must be between 120 and 150°F.

Wet test check list

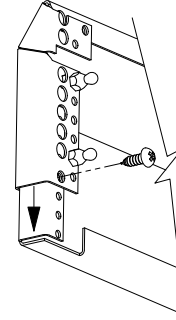
- Turn on the main power source.
- Turn on the main power at the dishwasher by pushing the ON/OFF switch on the control panel.
- Program dishwasher to run a short wash. See the Use and Care manual for specific operating instructions of other features.
- Close and latch the door.
- You should hear the dishwasher drain and then begin to fill with water. Wait approximately two minutes, then carefully open the door to verify water is filling the dishwasher tank. If there is water present, close the door and continue the process. Should the water not fill the tank or the pump is not running, then immediately push the ON/OFF button to stop the dishwasher and verify that the water source is turned on and that the power cord is plugged in with the main power on.
- Check for leaks under the dishwasher. If any leaks are found, turn off the power supply, tighten all connections and restore the power.
- Check for leaks around the door. A leak around the door could be caused by the dishwasher door rubbing or hitting against adjacent cabinetry. Reposition the dishwasher if necessary.
- The dishwasher will drain after the first fill. Check the drain line for leaks. If leaks are found, turn off the power supply, tighten all connections and restore the power.
- Open the dishwasher door and verify that most of the water has drained. If not, verify that the disposer plug has been removed and/or the air gap is not plugged.
- Run the dishwasher through another fill and drain cycle. Verify that there are no leaks.
- For additional start up or drain problems check all installation steps to verify they are correct and complete. If the dishwasher still does not operate correctly stop immediately and contact the local authorized Dacor service agent.
- If the fill cycle, wash cycle, and drain cycles operate correctly, then install the lower toe-kick panel.

Installing Epicure Front Toe-Kick Plate

The Epicure toe-kick plates are designed to be adjustable for height and depth.

Reinstall the rear toe-kick plate before installing the front toe-kick plate.

If installing with a typical 4” toe-kick, height adjustment is not necessary. For other than typical installation, remove the rear assembly screws that hold the two toe-kick sections together. Adjust the toe-kick sections to match your desired toe-kick height and reinstall the assembly screws.



Adjusting the toe-kick

Reinstall the front toe-kick plate, by inserting the depth adjustment pins into the chassis and pushing straight back on both sides until the front toe-kick plate aligns with adjacent cabinet toe-kick material.

Installing Integrated Front Toe-Kick Plate

▼ CAUTION:

Material type and dimensions are critical in this installation. If the material is too large in height or thickness the door may not open completely.

See the intergrated template for full installation instructions of the custom toekickpanel. Reinstall the rear toe-kick plate before installing the front toe-kick plate.

Reinstall the front toe-kick plate, by inserting the depth adjustment pins into the chassis and pushing straight back on both sides. Place high tack double stick tape to the front toe-kick plate, then adhere the decorative toe-kick material to the front toe-kick plate. If necessary, screw holes are provided through the front toe-kick plate for material mounting. Adjust the toe-kick until it aligns with adjacent cabinet material.

NOTES:

**Specifications contained within are subject to change without notice.
No liability is assumed by DACOR for changes in specifications.**

Web Site:
Phone:

www.dacor.com
(800) 793-0093

