

ECD/ECS, MCD/MCS, & PCD/PCS

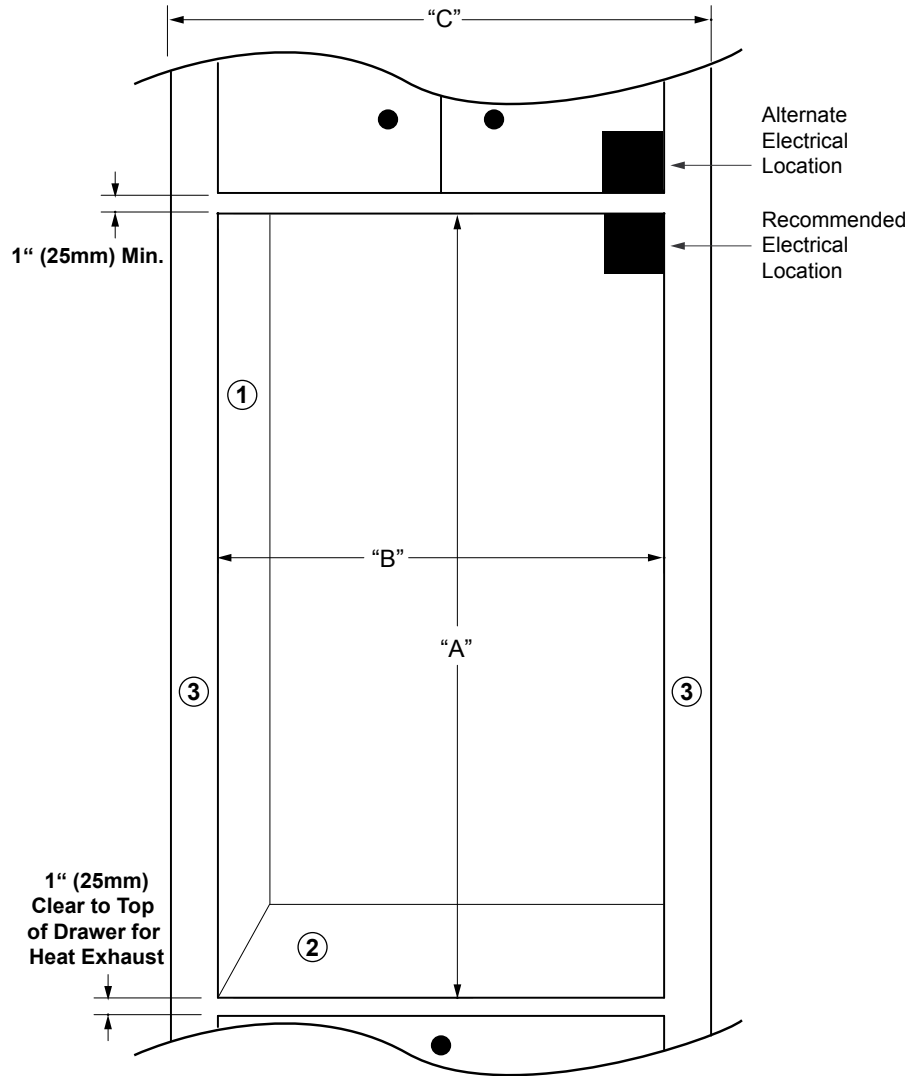


091605

27", 30" Wide, Double, Classic Wall Ovens

1/2

PLANNING GUIDE



CUTOUT DIMENSIONS

Models	"A" Cutout Height	"B" Cutout Width	"C" Min. Cabinet Width	Oven Overlays
27"	49 1/16" (1246mm)	25 1/2" (648mm)	27" (686mm)	3/4" (19mm) Each Side; 15/16" (24mm) Top; 1/16" (1mm) Bottom
30"		28 1/2" (724mm)	30" (762mm)	

NOTES:

1. **24" (610mm) minimum interior cabinet depth. Back of cabinet may need to be removed.**
2. **3/4" (19mm) support platform (flush with cutout).**
3. **1/8" (3mm) minimum clearance to adjacent cabinet doors/drawers.**

ECD/ECS, MCD/MCS, & PCD/PCS

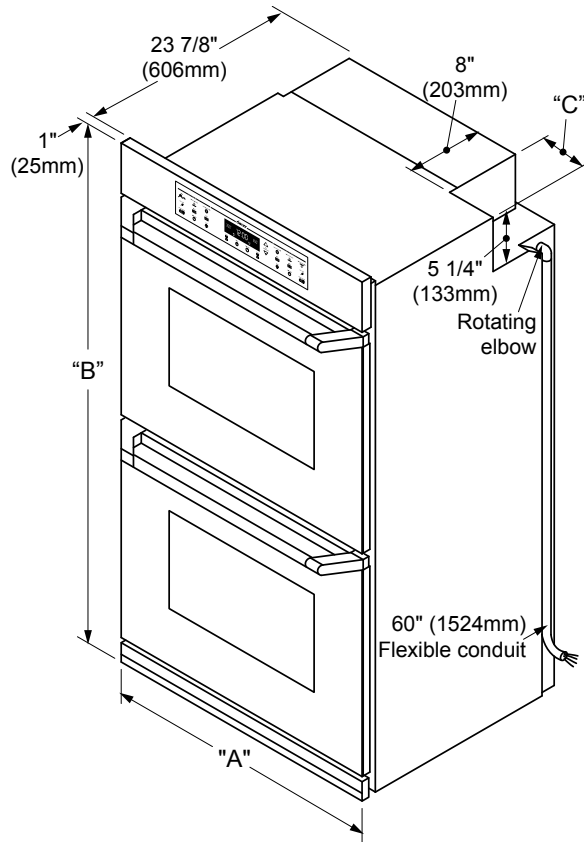


091605

27", 30" Wide, Double, Classic Wall Ovens

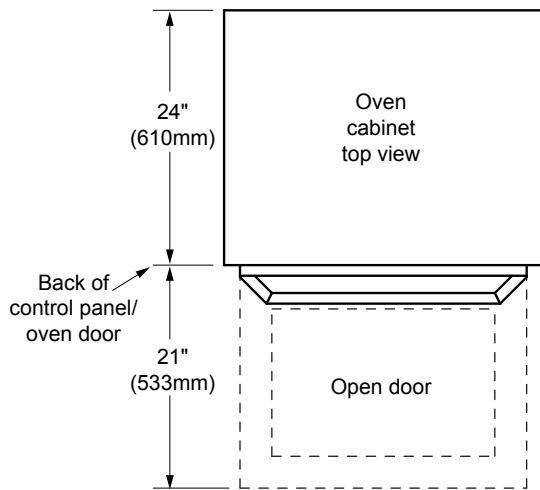
2/2

PLANNING GUIDE

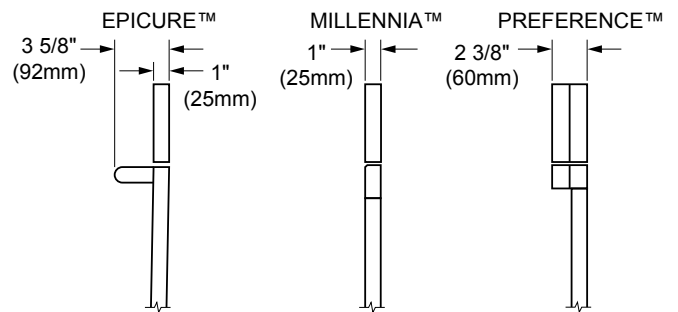


OVERALL DIMENSIONS

Models	"A" Oven Width	"B" Overall Height	"C" Recess Width
27"	27" (686mm)	49 15/16" (1270mm)	6 13/16" (173mm)
30"	30" (762mm)		



TOP VIEW



OVEN HANDLE DIMENSIONS

Models	Dedicated Circuit Required	Total Connected Load	Approximate Shipping Weight
27"	208/240VAC, 4-wire, 60Hz, 40A (Breaker)	208VAC, 8.1kW (39A)/ 240VAC, 8.1kW (34A)	337 lbs.
30"			