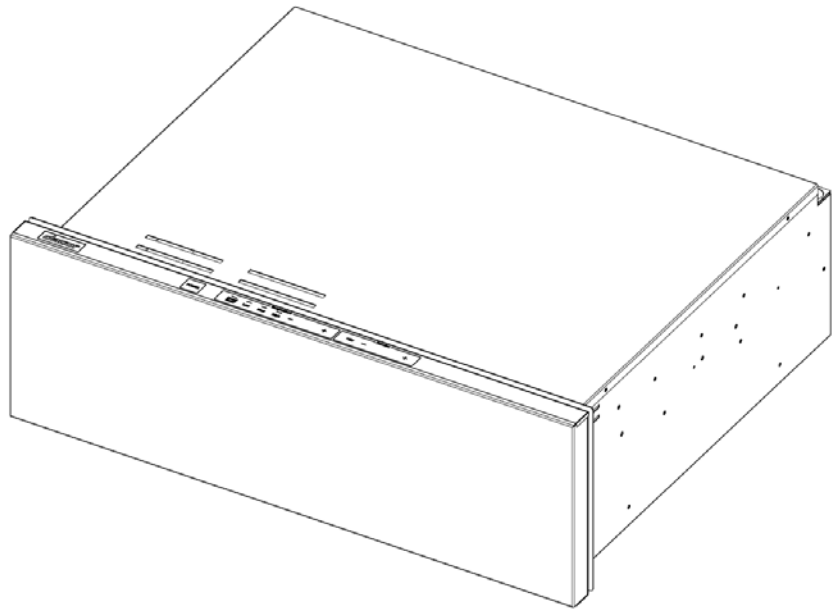


# Planning Guide

**Modernist Warming Drawer  
DWR30M977**

UNIT



PANEL



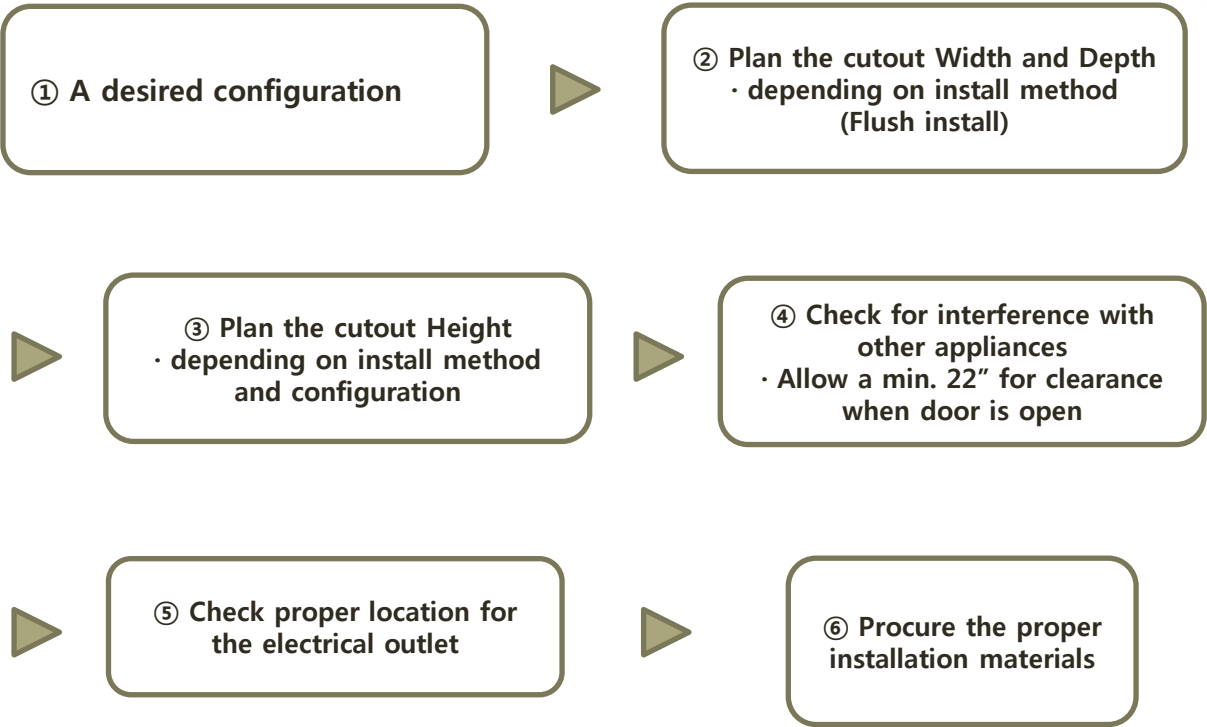
Stainless steel , Black Stainless steel

CONTROL



PC (Black, Silver) with printing

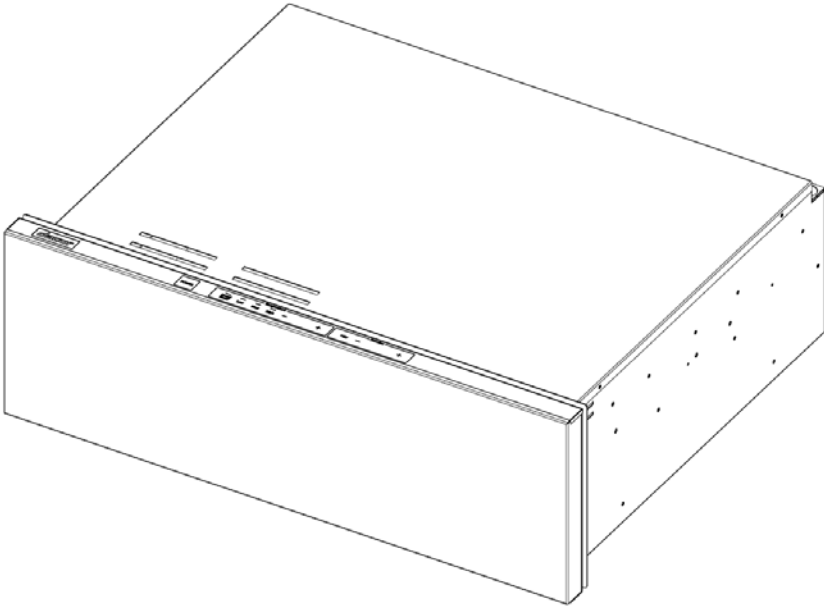
# PLANNING CHECK PROCESS



① A desired configuration

	Warming Drawer
Width	30"
Control Panel	PC (Silver or Black)
Front Panel	Stainless Steel, Graphite Stainless steel

Warming Drawer



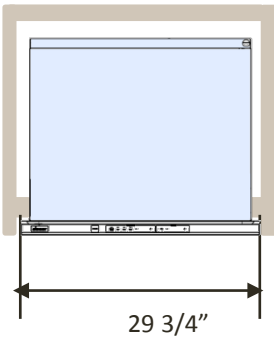
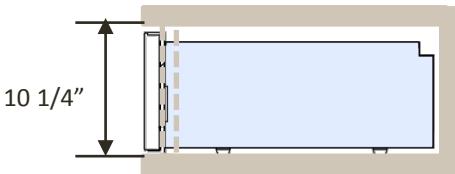
DWR30M977WS (Silver)  
 DWR30M977WM(Graphite)

② Plan the cutout Width and Depth  
 · depending on install method  
 (Flush install)



③ Plan the cutout Height  
 · depending on install method and  
 configuration

- A qualified technician must complete the installation of this built in appliance. Proper installation is the customer's responsibility.
- Carefully check the location where the drawer is to be installed. The drawer should be placed for convenient access. Make certain that electrical power can be provided in the selected location. Install the warming drawer in wood cabinets only.
- Plan the installation so that all minimum clearances are met or exceeded. Dimensions shown provide minimum clearances, unless otherwise noted. Be certain that proper clearance is provided for the drawer when it is in the open position.
- The specified minimum cabinet depth and width must be provided. The cabinet depth and width must completely enclose the recessed portion of the drawer.
- Cabinet cutout dimensions must be used as indicated. All contact surfaces between the appliance and the cabinet must be solid and level. The drawer support platform must be flush with the bottom edge of the cabinet cutout.
- Make certain that you have everything necessary to ensure a proper installation before proceeding.

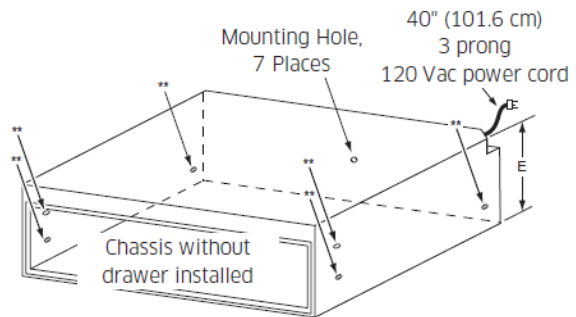
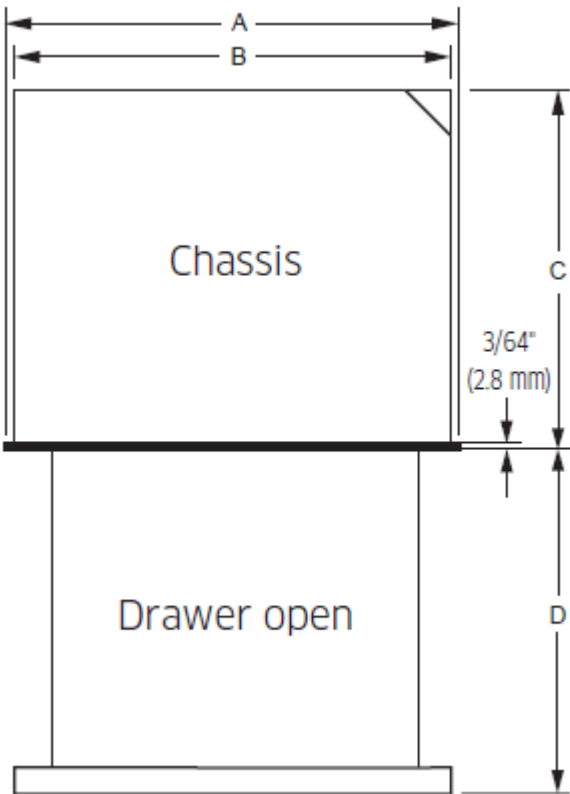
Set Dimension	TOP VIEW	SIDE VIEW
<p><b>FLUSH INSTALL</b>                      (Refer to the overall dimensions)</p>		

④ Check for interference with other appliances  
 • Allow a min. 22" for clearance when door is open



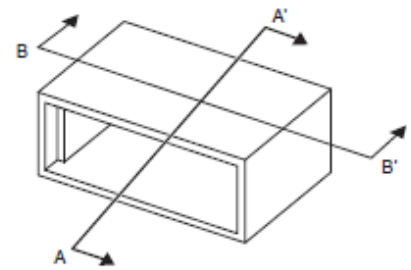
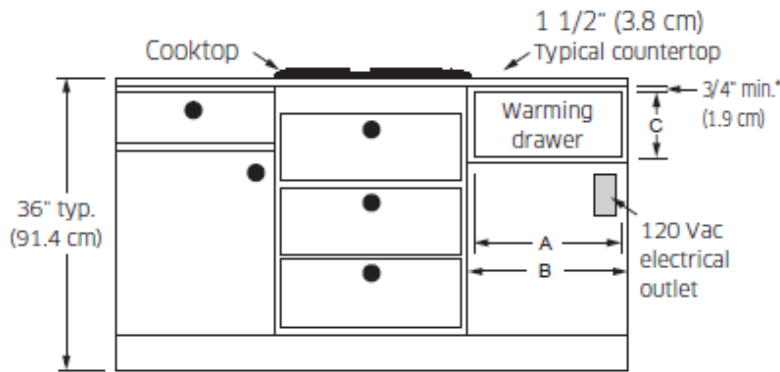
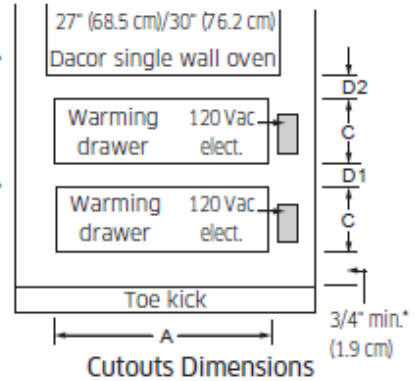
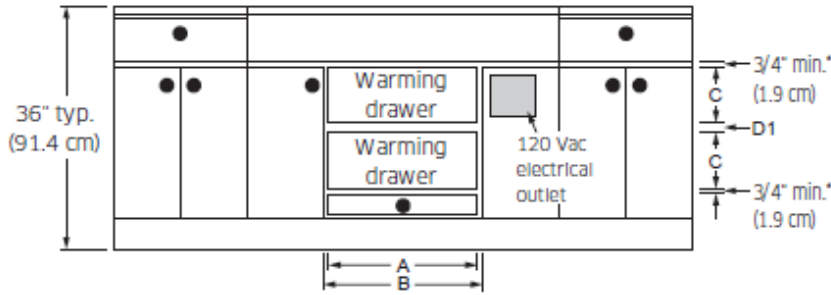
⑤ Check proper location for the electrical outlet

### ■ Warming Drawer\_Flushed

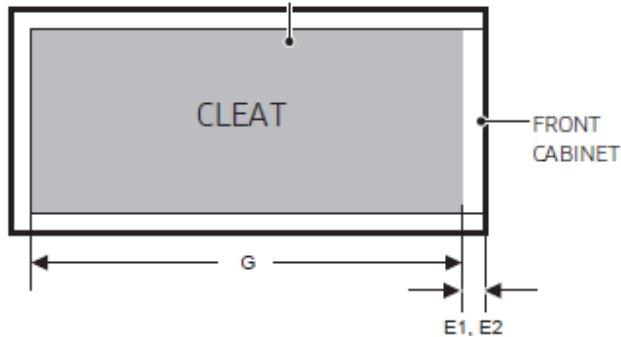


Model No.	(A) Dimension Drawer Face Width	(B) Dimension Chassis Width	(C) Dimension Chassis Face Width	(D) Dimension Drawer Face Height	(E) Dimension Chassis Depth
DWR30M977W*	29 5/8" (75.2 cm)	27 5/8" (70.3 cm)	22 13/16" (57.7 cm)	20" (51 cm)	9" (22.8 cm)

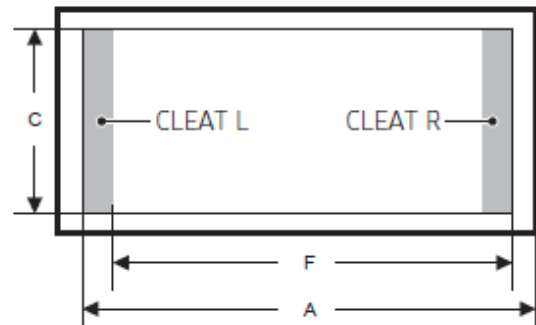
## Cut out & Cleat dimension



SECTION VIEW : A-A' Side cleats to be the whole depth of the cabinet



SECTION VIEW : B-B'



Model No.	(A) Cut out Width	(B) Min. Width to Adjacent Doors/ Drawer	(C) Cutout Height	(D1) Min. Vertical Gap Between Warming Drawer cutouts	(D2) Min. Vertical Gap Between Dacor Wall Oven	(E1) Flush to Drawer Front +	(E2) Flush to Cabinet Frame++	(F) Flush to Cabinet Frame	(G) Min. Cutout Depth
DWR30M977W*	30" (76.2 cm)	30" (76.2 cm)	10 3/8" (26.3 cm)	1 1/4" (3.2 cm)	1 1/2" (3.8 cm)	1 1/8" (2.9 cm)	1 7/8" (4.6 cm)	27 7/8" (70.8 cm)	24 1/2" (62.3 cm)+ Dim for E1 install, see E2 for alternate installation

+ Dimension with 3/4" in. (19.05 cm) thick cabinet drawer door, adjust (E1) depth for a different cabinet drawer thickness.

++Requires the cabinet depth dimension "G" to be 24 5/8" (62.5 cm)

## Electrical Connection

### **⚠ WARNING**

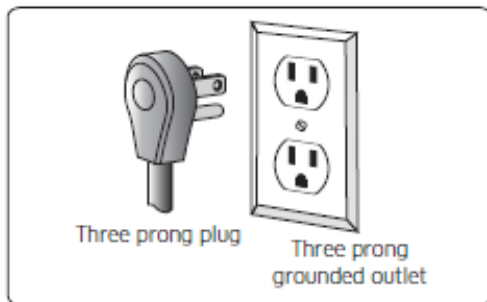
#### **Electrical Shock Hazard**

**IMPORTANT:** This appliance is equipped with a three prong grounding electric plug for protection against possible electric shock hazards. It must be plugged into a dedicated, grounded, electrical outlet. If only a two prong electrical outlet is available, it is the responsibility of the customer to have it replaced with a dedicated, properly grounded three prong electrical outlet. **To avoid an electric shock hazard, do not under any circumstances:**

- Cut or remove the third (ground) prong from the power cord.
- Use an adapter plug.
- Use a power cord that is frayed or damaged.
- Immerse the power cord or plug in water or other liquid.
- Connect the appliance to an extension cord.

### **📄 NOTE**

Use of a ground fault interrupter (GFI) is not recommended.



- Minimum ambient operating temperature: 32°F (0°C).
- The correct voltage, frequency and amperage must be supplied to the electrical outlet from a grounded, single phase circuit that is protected by a properly sized circuit breaker or time-delay fuse.
- The required voltage, frequency and amperage ratings are listed on the product data label. See page for location.
- The power supply requirements shown above are for reference only. If they do not agree with those listed on the product data label, use the requirements on the product data label.

#### **Nominal Electrical Supply Requirements**

120 Vac, 60 Hz, 15 Amp., dedicated circuit

The warming drawer is supplied with a 40" (101.6 cm) power cord with a three prong grounded plug.

**Total Connected Load** 0.5 kW (4 Amp.)

- It is the owner's responsibility to ensure that the electrical outlet is installed by a qualified electrician. The electrical installation must comply with the latest revision of the National Electric Code ANSI/NFPA 70 and local codes and ordinances.
- If the electrical service provided does not meet the product specification, or does not conform to the NEC or local standards, do not proceed with the installation. Call a licensed electrician to correct the electrical service before proceeding.
- Be certain to locate the electrical outlet in an accessible location, so that the warming drawer may be easily unplugged in the event that service becomes necessary.
- Keep the electrical cord away from hot surfaces.



⑥ Procure the proper installation materials

Prepare to install the oven



Phillips Screwdriver

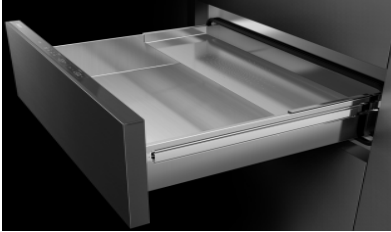


Drill



(3) mounting screws - PN 83569

## 30-Inch Warming Drawer



### DWR30M977WS / DWR30M977WM

<b>General</b>	Color	Silver STSS / Graphite STSS
	Door Opening	Push to Open
	Capacity	1.6 cu. ft.
	Rail	Telescopic Type
	Working Time	1~4 : 1~4 Hours 5 : Set Time (Max. 12 Hours)
	Temp. Control	Touch / Electric (LED Display)
	Temp. Menu & Function	Bread Proofing, Sabbath Mode Food Warming & Rapid Heat up
<b>Mode (Temperature Setting)</b>	Proof	100°F (85°F-120°F)
	Low	150°F (121°F-160°F)
	Mid	175°F (161°F-190°F)
	High	200°F (191°F-220°F)
<b>Additional Feature</b>	Timer	Automatic shut-off timer
<b>Accessory</b>	Half Racks	●
	Power Cord	●

Product Width	29 5/8"
Product Height	10 1/4"
Product Depth	22 13/16"
Cutout Width	30"
Cutout Height	10 3/8"
Cutout Depth	24 1/2" (Min.)
Watts(W)	500 W
Circuit Breaker(A)	15A
Electrical Supply	120VAC/60Hz
Power Cord	Plug Type(3 prong)
Net Weight (lbs.)	TBD lbs (TBD Kg)