

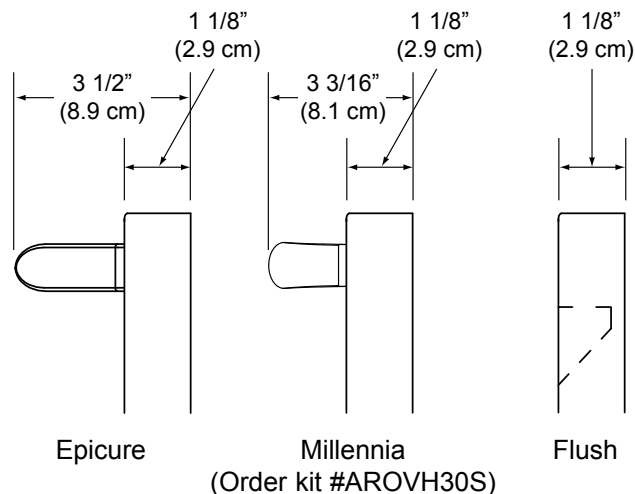
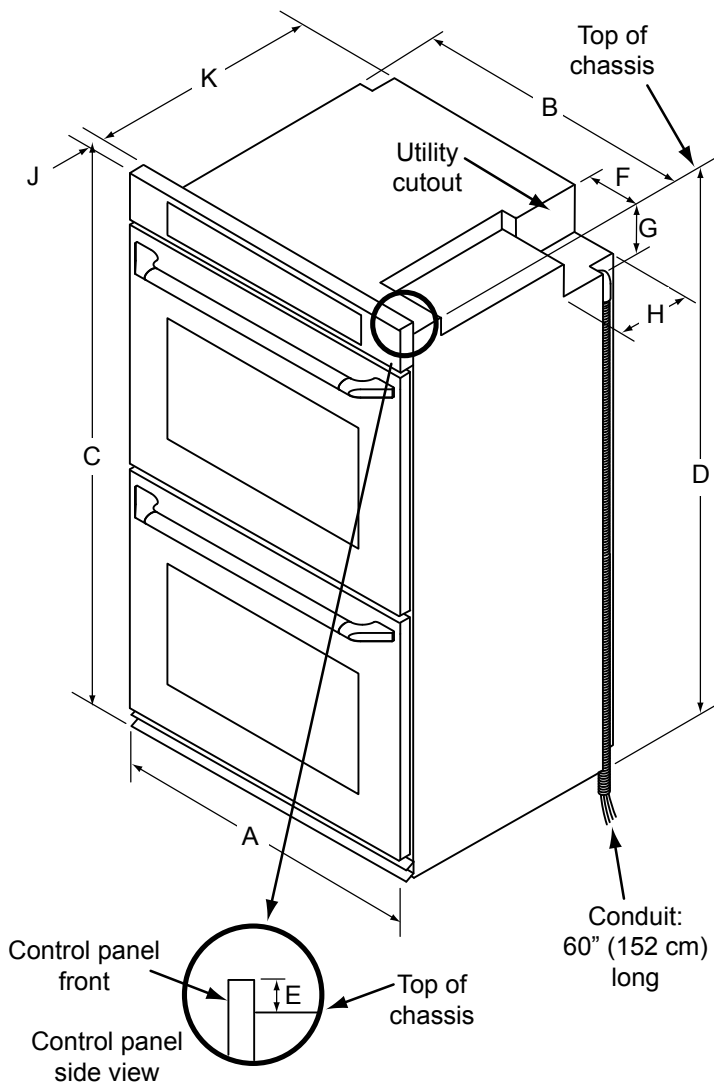
DTO, DTOV



Distinctive® 27" and 30" Wide Double Wall Ovens

PLANNING GUIDE

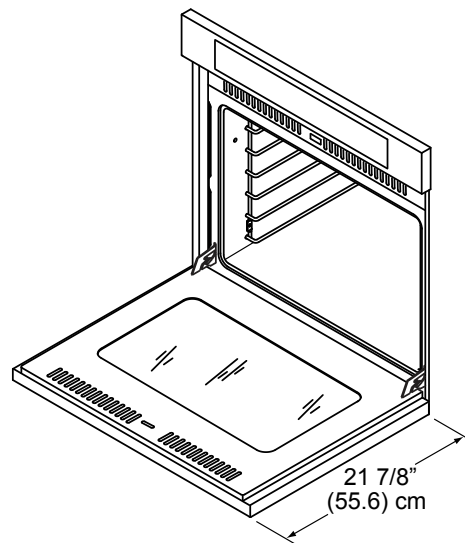
Product tolerances: ±1/16" (±1.6 mm) unless otherwise stated



Handle Dimensions

⚠ WARNING

- Observe all governing codes and ordinances during planning and installation. Contact your local building department for further information.
- This appliance must be installed in accordance with the accompanying installation instructions.



Model	(A) Overall Width	(B) Chassis Width	(C) Overall Height	(D) Chassis Height	(E) Control Panel Overlay
DTO[V]227	26 7/8" (68.3 cm)	25 3/8" (64.5 cm)	50 1/8" (127.3 cm)	49" (124.5 cm)	1 1/8" (2.9 cm)
DTO[V]230	29 7/8" (75.9 cm)	28 3/8" (72.1 cm)	50 1/8" (127.3 cm)	49" (124.5 cm)	1 1/8" (2.9 cm)

(F) Utility Cutout Width	(G) Utility Cutout Height	(H) Utility Cutout Depth	(J) Control Panel Depth	(K) Chassis Depth
6 1/2" (16.5 cm)	5" (12.7 cm)	7 7/8" (20.0 cm)	1 1/4" (3.2 cm)	23 1/2" (59.7 cm)

ELECTRICAL SPECIFICATIONS		
Model	Dedicated Circuit Requirements	Total Connected Load
DTO[V]227	240 Vac 60 Hz., 4-wire,* 40 Amp.	240 Vac 60 Hz, 26.2 Amp., 6.4 kW
DTO[V]230	240 Vac 60 Hz., 4-wire,* 40 Amp.	240 Vac 60 Hz, 26.6 Amp., 6.4 kW

* Two 120 Vac hot (L1 and L2), one neutral, one ground

The above specifications are for reference only. See the appliance data plate for exact specifications.



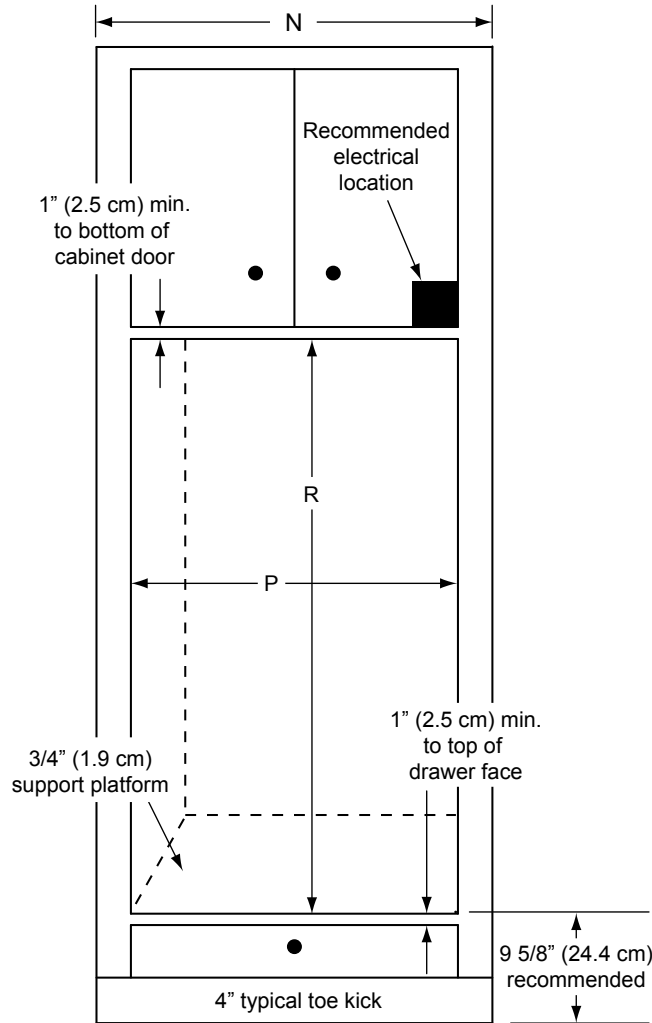
DTO, DTOV



Distinctive 27" and 30" Wide Double Wall Ovens

PLANNING GUIDE

Cabinet/countertop tolerances: +1/16", -0, (+1.6 mm, -0) unless otherwise stated



Minimum Interior Cabinet Depth: 24" (61.0 cm)

Model	(N) Minimum Cabinet Width	(P) Cut Out Width	(R) Cutout Height
DTO[V]227	27" (68.6 cm)	25 1/2" (64.8 cm) minimum (recommended) 26 1/8" (66.4 cm) maximum	49 1/8" (124.8 cm) minimum (recommended) 50" (127.0 cm) maximum
DTO[V]230	30" (76.2 cm)	28 1/2" (72.4 cm) minimum (recommended) 29 1/8" (74.0 cm) maximum	49 1/8" (124.8 cm) minimum (recommended) 50" (127.0 cm) maximum