



Installation Instructions

Distinctive[®] Gas Cooktop

Models DTCT304G, DTCT365G, DTCT466G

Table of Contents

Important Safety Instructions	1	Installation Instructions	8
Important Information About Safety Instructions	1	Verifying Package Contents	8
General Safety Precautions	2	Installing the Cooktop	8
Installation Specifications	3	Connecting the Gas Line	8
Product Dimensions	3	Installing the Burner Components.....	9
Electrical Requirements	4	Verifying the Correct Setup	9
Gas Supply Requirements	4	Installation Checklist	10
Cabinet and Countertop Layout.....	5	Replacement Parts	11
		Wiring Diagrams	12

Before You Begin...

Important

Installer: In the interest of safety and to minimize problems, read this *Installation Instruction* manual completely and carefully before you begin the installation process. Leave this *Installation Instruction* manual with the consumer.

Consumer: Keep this *Installation Instruction* manual for future reference and for the local electrical inspector's use.

NOTE: Dacor® is not responsible for service required to correct a faulty installation.

Customer Service Information

If You Need Help...

If you have questions or problems with installation, contact your Dacor dealer or the Dacor Customer Service Team.

For repairs to Dacor appliances under warranty call the Dacor Distinctive Service line.

Whenever you call, have the model and serial number of the appliance ready. The model and serial number are printed on the product data label.

Dacor Customer Service

Phone: (800) 793-0093 ex 2813

(U.S.A. and Canada)

Monday — Friday 6:00 A.M. to 5:00 P.M. Pacific Time

Website: www.dacor.com

Dacor Distinctive Service

(repairs under warranty only)

Phone: (800) 793-0093 ex 2822

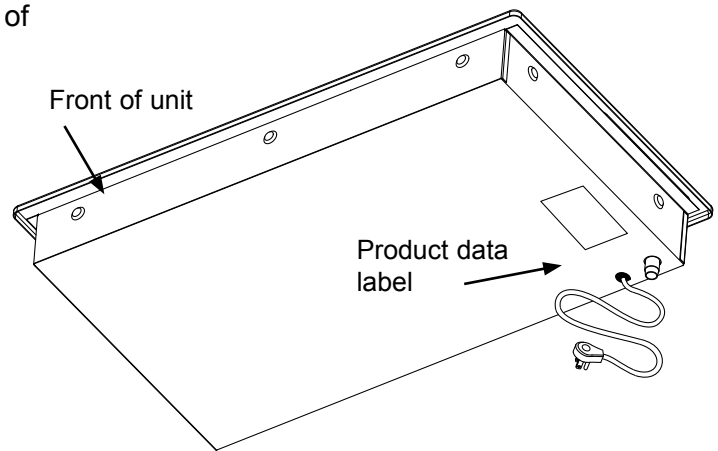
(U.S.A. and Canada)

Monday – Friday 6:00 A.M. to 5:00 P.M. Pacific Time

Website: www.dacor.com

Product Data Label

- The product data label contains the model and serial number information and the electrical and gas supply requirements.
- It is attached to the chassis on the bottom of the unit.



Product Data Label Location

All specifications are subject to change without notice. Dacor assumes no liability for changes to specifications.

Important Safety Instructions

Important Information About Safety Instructions

The **Important Safety Instructions** and warnings in these instructions are not meant to cover all possible problems and conditions that can occur. Use common sense and caution when installing, maintaining or operating this or any other appliance.

Always contact the Dacor Customer Service Team about problems and conditions that you don't understand. See **Customer Service Information**.

WARNING: If the information in this manual is not followed exactly, a fire or explosion may result, causing property damage, personal injury, or death.

DO NOT store or use combustible, flammable or explosive vapors and liquids (such as gasoline) on or in the vicinity of this or any other appliance.

WHAT TO DO IF YOU SMELL GAS

- Do not use or light ANY appliance.
- Do not touch ANY electrical switch
- Do not use ANY phone in your building.
- Immediately call your gas supplier from a neighbor's phone. Follow the gas company's instructions.
- If you cannot contact the gas supplier, call the fire department.

IN THE EVENT OF A PROLONGED POWER FAILURE: Turn off appliance knobs. No attempt should be made to operate the appliance during a power failure. Turn off the appliance.

CALIFORNIA PROPOSITION 65 WARNING

The burning of gas cooking fuel generates some by-products that are on the list of substances which are known by the State of California to cause cancer or reproductive harm. California law requires businesses to warn customers of potential exposure to such substances. To minimize exposure to these substances, always operate this unit according to the use and care manual, ensuring you provide good ventilation when cooking with gas.

Safety Symbols and Labels

DANGER

Immediate hazards that **WILL** result in severe personal injury or death.

WARNING

Hazards or unsafe practices that **COULD** result in severe personal injury or death.

Dangers and Warnings

DANGER

IMPORTANT: Do not store or use combustible, flammable, or explosive vapors and liquids (such as gasoline) on or in the vicinity of this or any other appliance. Also keep items that could explode, such as aerosol cans, away from the cooktop. Do not store flammable or explosive materials in adjacent cabinets or areas (including above and below the cooktop).

WARNING

NEVER use this appliance as a space heater to heat or warm the room. Doing so may result in **carbon monoxide poisoning** and overheating of the appliance

WARNING

NEVER cover any slots, holes or passages on the cooktop and cooktop chassis. Doing so blocks air flow through the cooktop and may cause carbon monoxide poisoning. Aluminum foil linings may also trap heat, causing a fire hazard. Keep all slots, holes, and passages clear of grease and grime.

**READ AND SAVE
THESE INSTRUCTIONS FOR
FUTURE REFERENCE**

Important Safety Instructions

General Safety Precautions

To reduce the risk of fire, electric shock, serious injury or death when using your appliance, follow basic safety precautions, including the following:

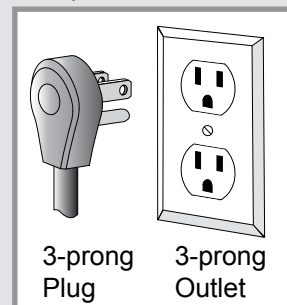
WARNING

- Read the accompanying use and care manual completely before operating this appliance.
- Keep packaging materials away from children. Plastic sheets and bags can cause suffocation.
- If you receive a damaged product, immediately contact your dealer or builder. Do not install or use a damaged appliance.
- This cooktop must be properly installed and grounded by a qualified installer according to these installation instructions prior to use. The installer should show the customer the location of the gas shut off valve and the power cord so that they know where and how to turn off the gas supply and disconnect power to the cooktop.
- Do not install, repair or replace any part of the cooktop unless specifically recommended in the literature accompanying it. A qualified service technician should perform all other service.
- Before servicing or installing this cooktop, make sure that the gas supply is turned off at the gas supply valve and that the power plug is disconnected from the electrical outlet.
- Disconnect the power plug from the electrical outlet before cleaning. Clean this appliance only in the manner specified in the use and care manual.
- Only use the cooktop for cooking tasks expected of a home appliance as outlined in the literature accompanying it. This cooktop is not intended for commercial or laboratory use.
- **DO NOT TOUCH THE SURFACES OF THE COOKTOP DURING OR IMMEDIATELY AFTER USE.**
- Do not operate this appliance if the power cord is damaged.
- Turn the knobs to the OFF position prior to removing them from the valve stems.
- To avoid a fire hazard, do not hang flammable or heat sensitive objects over the cooktop.
- Do not climb on any part of the appliance.

WARNING

- Do not leave children alone or unattended in the area around the cooktop. Do not allow children to play with the controls or touch other parts of the cooktop. Do not store items of interest to children on top of or above the cooktop. Children could be burned or injured while climbing on the appliance.
- Clean the cooktop thoroughly before operating it for the first time. Make sure that all the cooktop parts are dry before lighting a burner.
- Keep flammable items, such as paper, cardboard, plastic and cloth away from the burners and other hot surfaces. Do not place such items on the cooktop. Do not allow pot holders to touch hot surfaces or gas burners.
- Do not wear loose or hanging apparel while using the cooktop. Do not allow clothing to come into contact with the cooktop and surrounding areas during and immediately after use.
- Do not use towels or bulky cloth as pot holders.
- Do not use the cooktop to heat sealed containers. The container and contents may explode, causing personal injury.
- If the cooktop is near a window, do not use long curtains as window treatment. The curtains could blow over the cooktop and catch fire.
- Non-stick coatings, when heated, can be harmful to pet birds. Relocate birds to a separate, well ventilated room when using the cooktop.

IMPORTANT: This appliance is equipped with a three-prong grounding plug for your protection against possible electric shock hazards. Plug it only into a dedicated, grounded three-prong electrical outlet. It is the responsibility of the customer to make sure the proper type of outlet is installed.



UNDER ANY CIRCUMSTANCES:

DO NOT cut or remove the third (ground) prong from the power cord.

DO NOT use an adapter plug.

DO NOT use an extension cord.

DO NOT use a power cord that is frayed or damaged.

DO NOT connect to an electrical outlet with a ground fault interrupter (GFI).

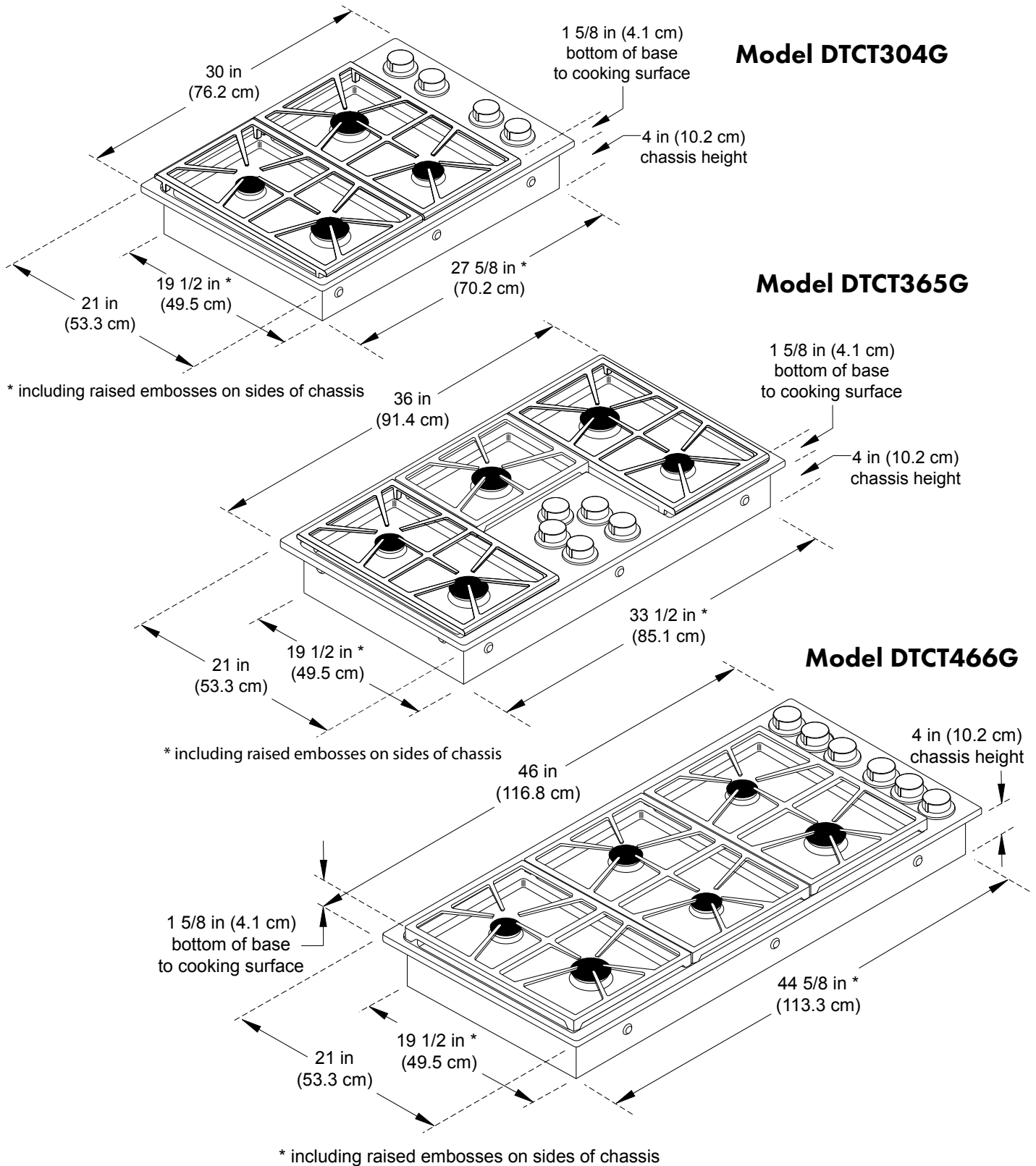
Installation Specifications

WARNING

Observe all governing codes and ordinances during planning and installation. Contact your local building department for further information.

Product Dimensions

All tolerances: $\pm 1/16"$ unless otherwise noted.



Installation Specifications

Electrical Requirements

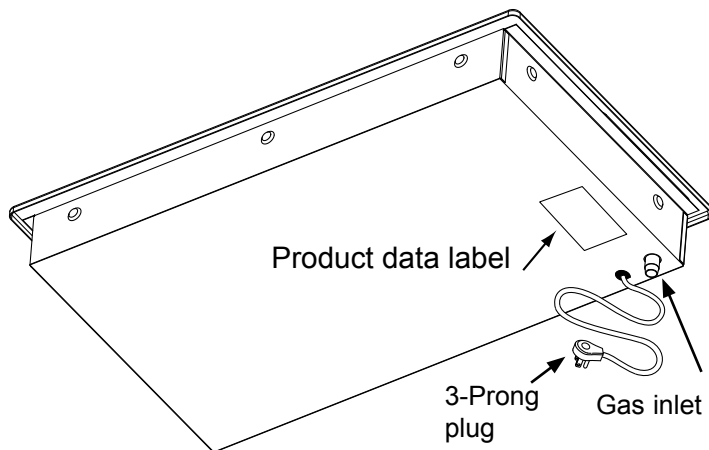
WARNING

To prevent an electric shock hazard, the power supply must meet the specifications stated below. It is the owner's responsibility to make sure that the electrical service meets electrical requirements and that the electrical outlet has been properly installed by a licensed electrician.

- The cooktop is supplied with a factory installed, 40-inch, three-prong, grounding electrical plug. It is connected to the chassis at the bottom right rear corner.

Refer to the figure **Chassis Bottom** below.

- The cooktop must be connected to a dedicated, grounded three-prong electrical outlet installed by a licensed electrician.
- The electrical installation, including the supply wire size and grounding, must be done in accordance with National Electric Code ANSI/NFPA 70* and local codes and ordinances. A copy of this standard may be obtained from:
National Fire Protection Association
1 Batterymarch Park
Quincy, MA 02269-9101
- The correct voltage, frequency, and amperage must be supplied to the electrical outlet according to the product data label located on the bottom of the chassis.
- See the table **Gas and Electrical Requirements** on this page for reference.
- Be certain to choose an electrical outlet with easy access so that the power cord may be disconnected if the unit needs service.



Chassis Bottom

Gas Supply Requirements

- Ensure that the cooktop is correct for the gas being provided (natural gas or LP gas). Also, if using the cooktop at an altitude above 4000 ft. (1219 m), make sure it is equipped for high altitude operation.
- Units equipped for LP operation have "LP" in the model number listed on the product data label. See the figure **Chassis Bottom** for the label location.
- Units equipped for high altitude operation have an "H" at the end of the model number listed on the product data label.
- Check your local building codes for the proper method of installation. In the absence of local codes, this appliance should be installed in accordance with the National Fuel Gas Code ANSI Z223.1/NFPA 54.
- An external manual shut-off valve must be installed between the gas inlet and the cooktop for the purpose of turning on or shutting off gas to the appliance.
- The cooktop comes from the factory with a regulator in the shipping carton. The regulator must be installed in the gas line that runs from the cooktop gas inlet to the gas shut off valve. Use only the regulator provided.
- Models DTCT304G and DTCT365G have a 1/2-inch regulator. Model DTCT466G has a 3/4-inch regulator, approved for connection to a 1/2 inch house gas supply.

The cooktop gas connection is located on the bottom of the cooktop, in the back right corner as you face the front of the unit. See the figure **Chassis Bottom** on this page.

Model Number	DTCT304G DTCT365G DTCT466G	DTCT304LP DTCT365LP DTCT466LP
Gas type	Natural Gas	LP Gas
Manifold pressure	4" Water column	10" Water column
Min. gas supply pressure **	5" Water column	11" Water column
Max. gas supply pressure	1/2 psi	1/2 psi
Total connected load	0.25 Amp. (0.03 kW)	0.25 Amp. (0.03 kW)
Circuit requirement	120 Vac, 60 Hz, 15 Amp.	120 Vac, 60 Hz, 15 Amp.

Gas and Electrical Requirements*

* The electrical and gas data on this page is for reference only. If the above data does not agree with the product data label, use the data on the product data label.

** The gas supply pressure for testing the regulator setting shall be at least 1-inch water column (249 Pa) above the specified manifold pressure.

Installation Specifications

Cabinet and Countertop Layout

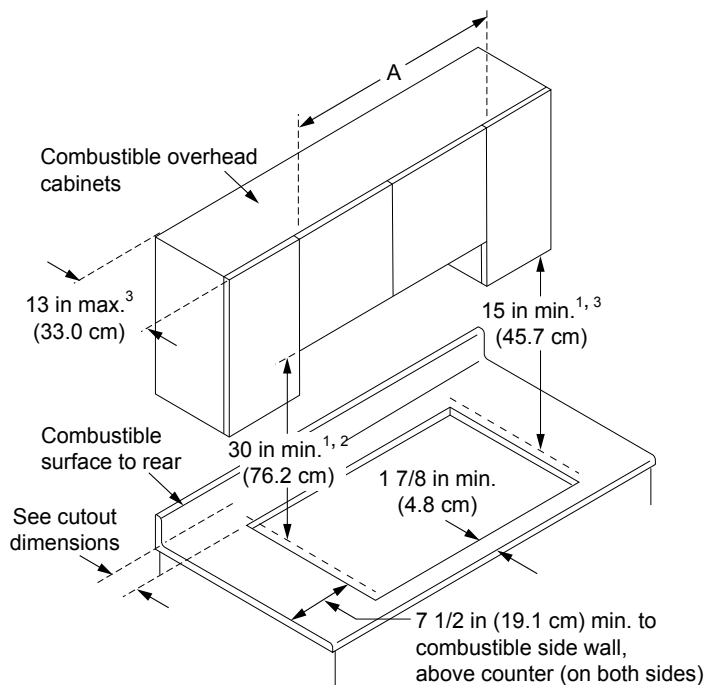
WARNING

- To reduce the risk of personal injury caused by reaching over a hot appliance, avoid locating cabinet storage space directly above the cooktop.
 - Failure to meet or exceed the maximum and minimum dimensions/clearances stated in these instructions may result in a fire hazard.
 - Follow the countertop manufacturer's instructions regarding the minimum corner radius, use of heat reflective tape, reinforcement of corners, etc.
- Carefully check the location where the cooktop will be installed. For best performance, the cooktop should be placed away from drafts that may be caused by doors, windows and heating and air conditioning outlets.
- This appliance is to be used in conjunction with a suitable vent hood or approved Dacor downdraft.

CLEARANCE REQUIREMENTS

Model	A: Minimum	A: Recommended
DTCT304G	30 in (76.2 cm)	36 in (91.4 cm)
DTCT365G	36 in (91.4 cm)	42 in (106.7 cm)
DTCT466G	46 in (121.9 cm)	54 in (137.2 cm)

All tolerances: +1/16" -0" unless otherwise noted.



¹ Measured from top of cooktop grate.

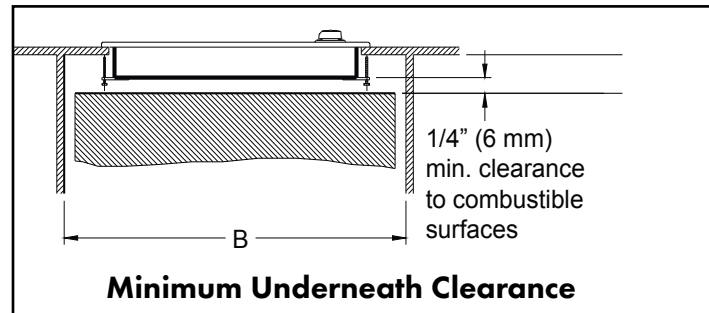
² If installing with an overhead vent hood, also check hood specifications for minimum required clearances.

³ Not applicable for cabinets more than a horizontal distance of 6 in. (15.2 cm) from edge of cooktop. Allow 7 1/2 in (19.1 cm) from edge of cutout.

Underneath Clearance and Allowances

Allow a minimum 1/4 in (6 mm) clearance between

- the bottom of the cooktop chassis and
- all combustible surfaces, including the edges and corners of drawers that sit below the cooktop.



Minimum Underneath Clearance

Model	B: Minimum clearance for hold-down brackets
DTCT304G	29 in (73.7 cm)
DTCT365G	35 1/4 in (89.5 cm)
DTCT466G	45 1/4 in (114.64 cm)

- Allow clearance for hold-down brackets
- The gas supply piping, gas shut-off valve, and the electrical outlet must be placed so they do not interfere with the cooktop when it is installed.
- If installing another appliance in the cabinet below, allow for the routing of gas and power behind it.

The installation must allow for the following:

- Access to the gas shut-off valve and regulator after the unit is installed.
- That the 40-inch (101.6 cm) power cord must be able to reach an electrical outlet, and that outlet must be accessible when the cooktop is in place.
- Access to the underside of the cooktop for service and inspection purposes.
- Clearance inside the cabinet to allow for proper hold-down bracket installation.
- For access to the underneath of the cooktop, a fixed shelf should *not* be installed below the cooktop.

See the following pages for countertop cutout dimensions.

Downdraft Compatibility

If installing the cooktop with a downdraft, use only the approved Dacor model numbers specified below:

Cooktop Models:	Use with These Approved Downdraft Models:
DTCT304G	ERV3015, PRV30, RV30
DTCT365G	ERV3615, PRV36, RV36
DTCT466G	PRV46, RV46

Installation Specifications

Cutout Dimensions

All tolerances: +1/16" -0" unless otherwise noted.

IMPORTANT: Be careful to choose the correct cutout diagram on page 7. There are two cutout styles: a square cutout and a knotted cutout.

Use the table below to determine the countertop cutout type and the dimensions for the installation.

1. Find your specific DTCT model that matches your specific configuration setup.
2. Choose the *square* or *notched* cutout type according to your configuration (see below).
3. Carefully double check all dimensions against the table below and the correct diagram before cutting the countertop.

CUTOUT TYPE AND DIMENSIONS							
Configuration	Cutout TYPE	C Min.	D	E	F	G	H
DTCT304G without downdraft	Square	2 7/8 in (7.3 cm)	19 3/4 in (50.2 cm)	27 3/4 in (68.6 cm)	NA	NA	NA
DTCT304G with ERV3015 and PRV30	Square	3/8 in (1.0 cm)	22 1/2 in (57.2 cm)*	27 3/4 in (68.6 cm)	NA	NA	NA
DTCT304G with RV30	Square	5/8 in (1.6 cm)	22 1/4 in (56.5 cm)*	27 3/4 in (68.6 cm)	NA	NA	NA
DTCT365G without downdraft	Square	2 3/8 in (6.0 cm)	19 3/4 in (50.2 cm)	33 5/8 in (85.4 cm)	NA	NA	NA
DTCT365G with ERV3615 and PRV36	Square	3/8 in (1.0 cm)	22 1/2 in (57.2 cm)*	33 5/8 in (85.4 cm)	NA	NA	NA
DTCT365G with RV36	Square	5/8 in (1.6 cm)	22 1/4 in (56.5 cm)*	33 5/8 in (85.4 cm)	NA	NA	NA
DTCT466G without downdraft	Square	2 7/8 in (7.3 cm)	19 3/4 in (50.2 cm)	44 1/2 in (113.03 cm)	NA	NA	NA
DTCT466G with PRV46	Notched	3/8 in (1.0 cm)	22 1/2 in (57.2 cm)*	44 1/2 in (113.03 cm)	43 1/2 in (110.5 cm)	5/8 in (1.6 cm)	2 5/8 in ** (6.7 cm)
DTCT466G with RV46	Notched	5/8 in (1.6 cm)	22 1/4 in (56.5 cm)*	44 1/2 in (113.03 cm)	43 1/2 in (110.5 cm)	5/8 in (1.6 cm)	2 3/8 in ** (6.0 cm)

* Total cutout depth accommodates both the cooktop and downdraft.

** **IMPORTANT:** Notch depth is included in total cutout depth (D).

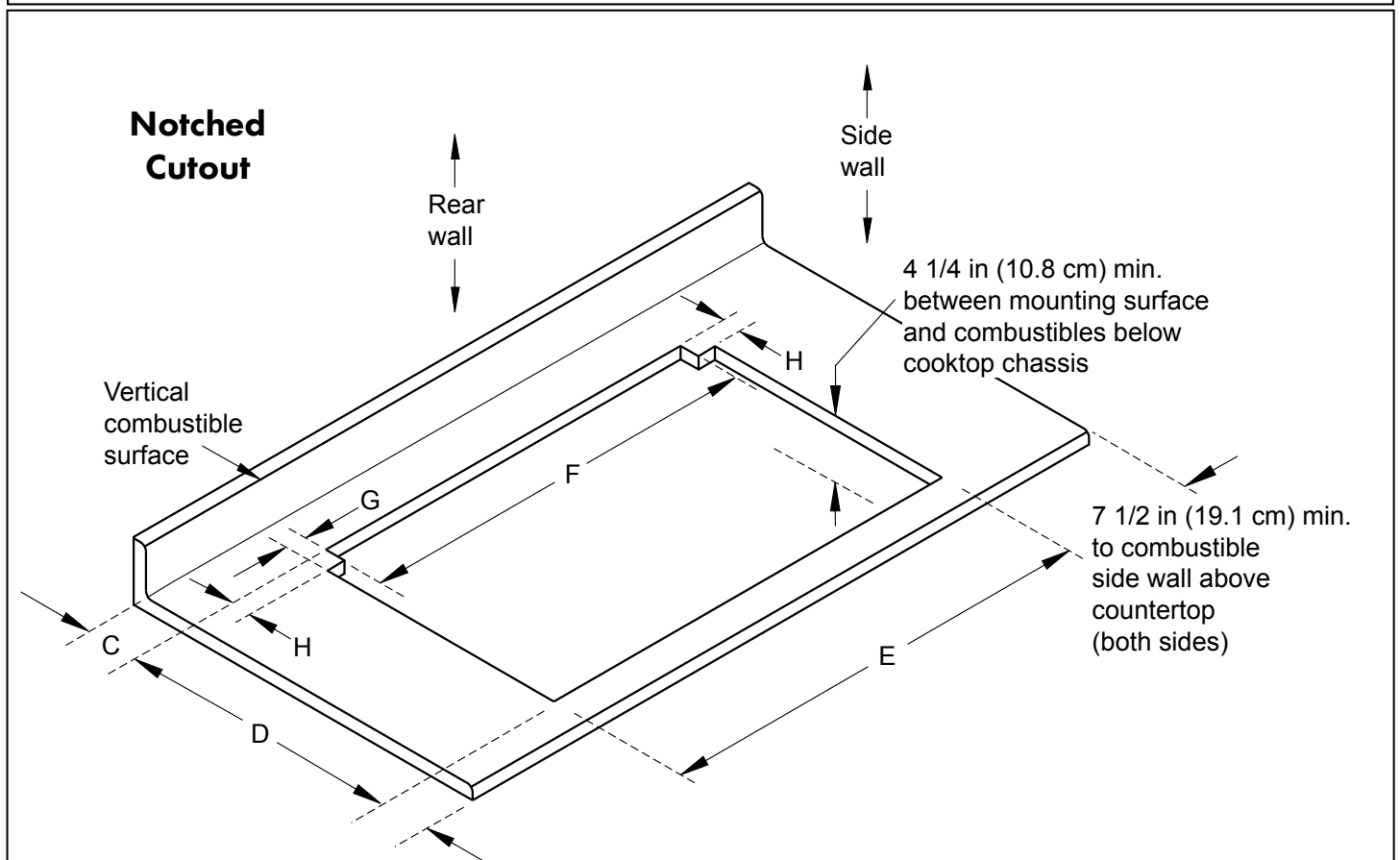
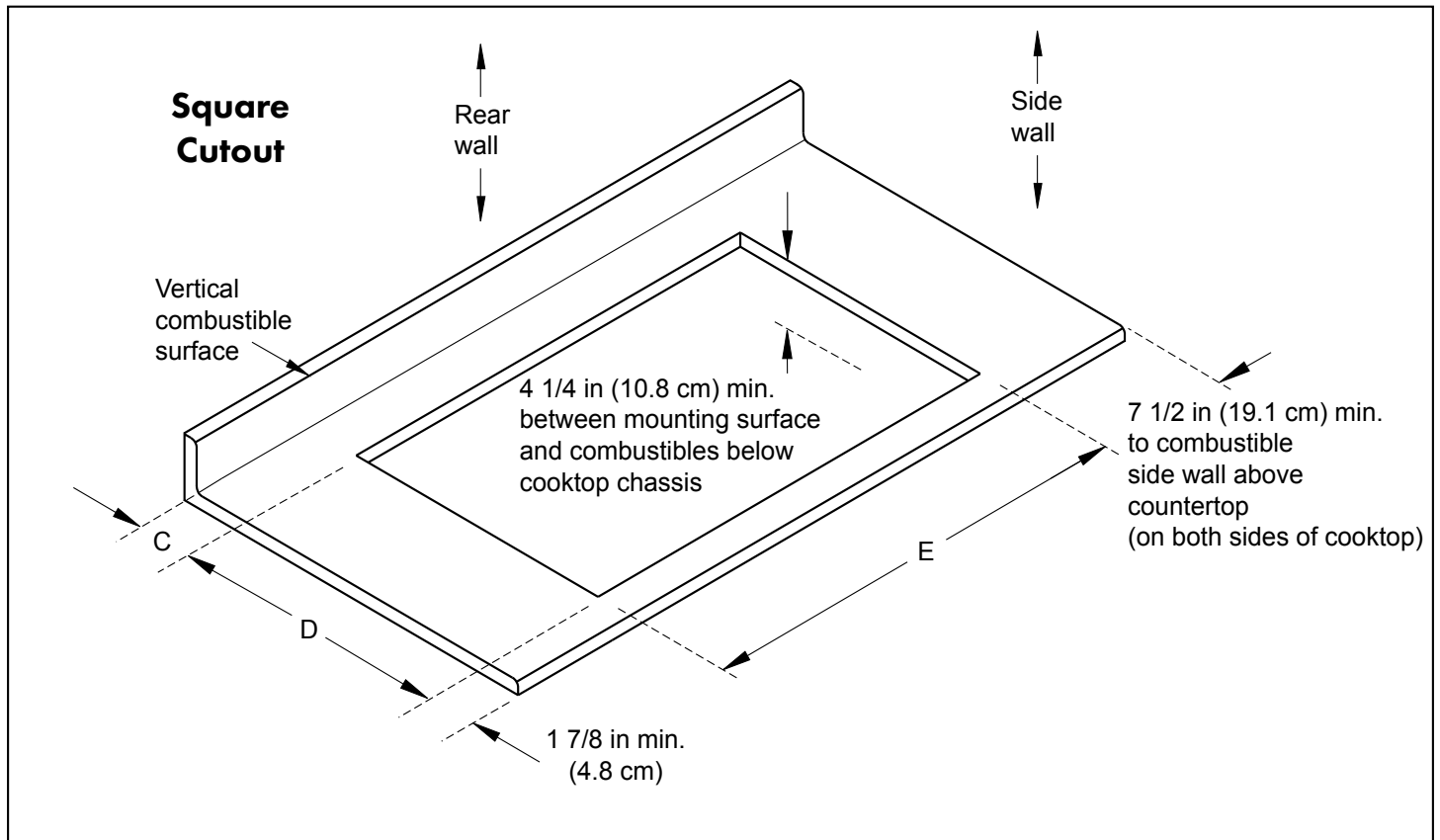
DO NOT add notch depth to total cutout depth (D).

Installation Specifications

Countertop Cutout Dimensions

All tolerances: +1/16" -0" unless otherwise noted.

Diagrams for "Cutout Type and Dimensions" Table on page 6

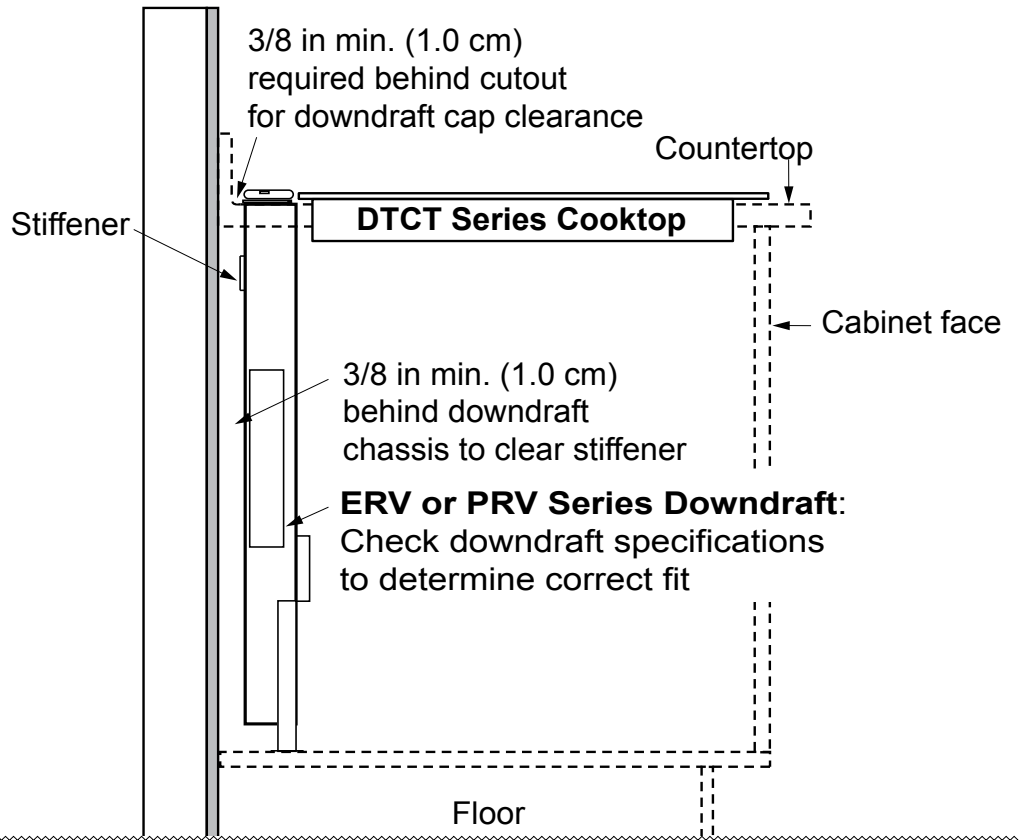


Installation Specifications

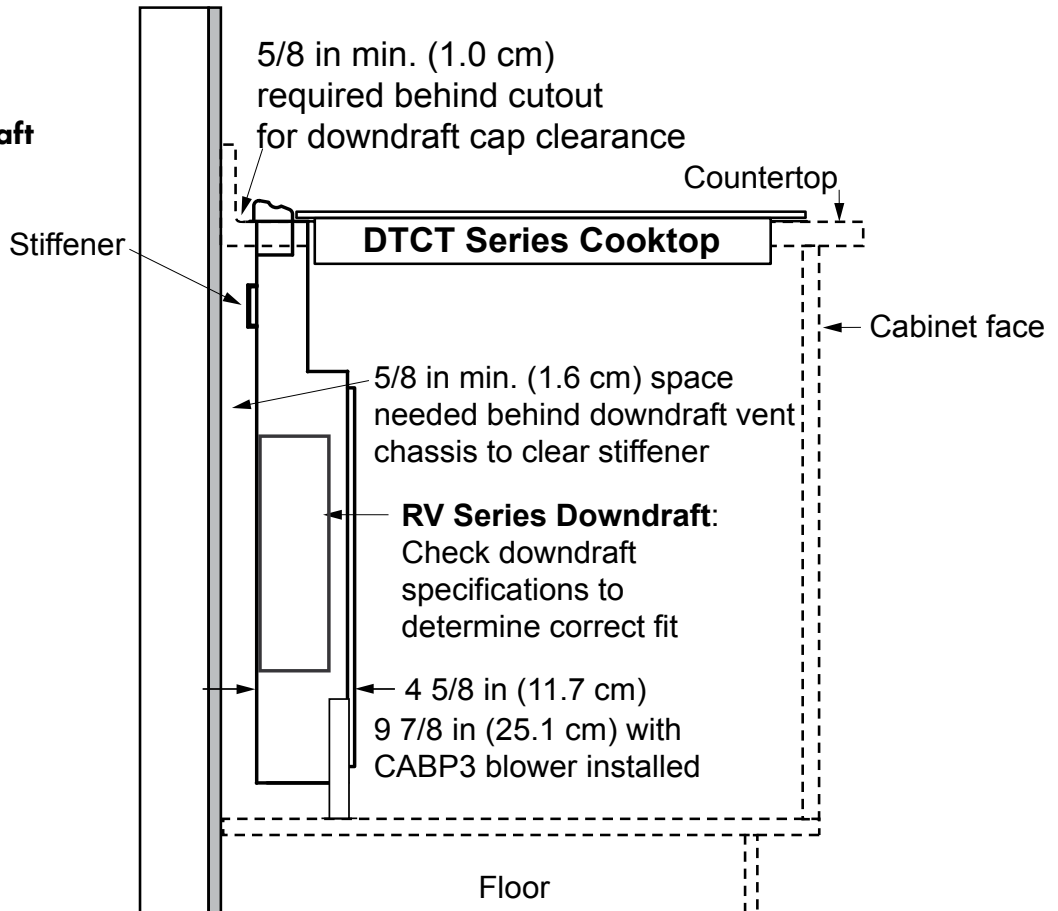
Cutout Dimensions

All tolerances +1/16" -0", unless otherwise noted.

With ERV or PRV Series Downdraft (side view)



With RV Series Downdraft (side view)



Installation Instructions

Verifying Package Contents

- Hold-down brackets (2)
- Gas pressure regulator (1)
- Grates: DTCT304G (2), DTCT365G (3) DTCT466G (3)
- Burner sets: DTCT304G (4), DTCT365G (5), DTCT466G (6)
- Stainless steel cleaner (1)

If any parts are missing, see the **Replacement Parts** list on page 12 for ordering information.

Installing the Cooktop

WARNING

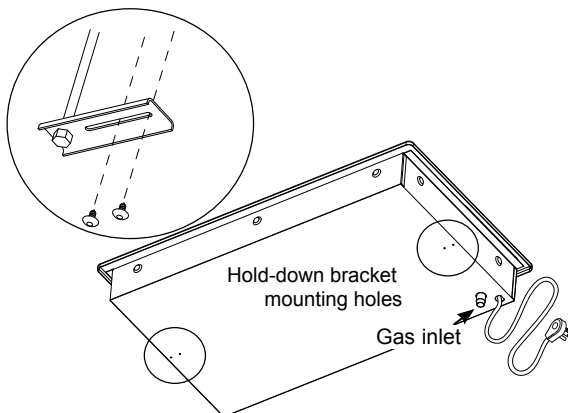
- Verify that the power supply meets the specifications on page 4 before proceeding.
- To prevent damage to the gas pressure regulator, install it only after the cooktop is mounted in its permanent position.

IMPORTANT

- Do not over-tighten the hold-down bolts. Over tightening the hold-down bolts may result in improper operation of the dual gas burners.
- Do not use a hardening compound or caulk to permanently seal the cooktop into place. The cooktop must be readily removable if service is required. Removing the sealing to service the unit will be performed at the customer's expense.

If the cooktop will be used with a downdraft vent, first install the vent according to its installation instructions.

1. Lower the cooktop into the cutout and center it.
2. Secure the cooktop to the countertop using the hold-down brackets as shown.



Underneath the Cooktop

Connecting the Gas Line

WARNING

- Verify that the gas supply meets specifications before connection. See page 4.
- Do not install or use the cooktop without the included gas regulator installed.
- Ensure that the arrow on the regulator points toward the direction of the gas flow (toward the cooktop).
- Do not apply excessive pressure when tightening gas connections and fittings.
- Do not use Teflon tape or plumber's putty on flexible gas line connections.
- Test the gas lines for leaks as instructed before use. Do not use a flame to check for leaks.
- The maximum gas supply pressure to the regulator must never exceed 1/2 pounds per square inch (psi) or 3.5 kPa.
- The cooktop and shut-off valve must be disconnected from the gas supply piping system during any pressure testing exceeding 1/2 psi (3.5 kPa).
- The cooktop must be isolated from the gas supply piping system by closing the shut-off valve to the cooktop during any gas supply piping system pressure testing equal to or less than 1/2 psi (3.5 kPa).
- For LP gas installations, the LP gas tank must have its own high-pressure regulator in addition to the pressure regulator supplied with the cooktop.

1. Attach the gas pressure regulator (included) to the gas inlet on the cooktop.
 - When working in tight space constraints, the regulator can be installed anywhere between the cooktop and gas supply/shut-off valve.
 - For best performance, attach the regulator as close as possible to the cooktop. This will minimize gas pressure loss.
2. Connect regulator to the gas supply/shut-off valve with a minimum 1/2" flexible gas line (not included).
3. Check for gas leaks:
 - ◇ Turn all cooktop control valves to OFF.
 - ◇ Make a soap and water solution or use a gas leak detector and check all lines and connections for gas leaks.
 - * Make sure the gas supply/shut-off valve is ON.
 - ◇ Turn the gas supply/shut-off valve OFF.

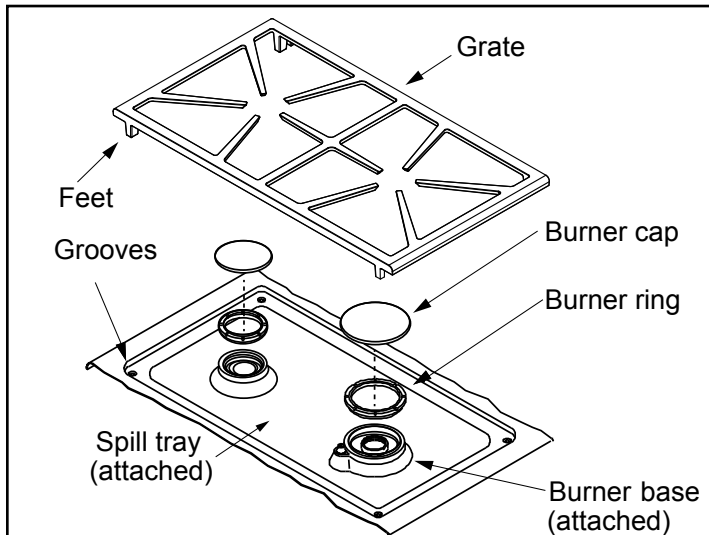
Installation Instructions

Installing the Burner Assemblies

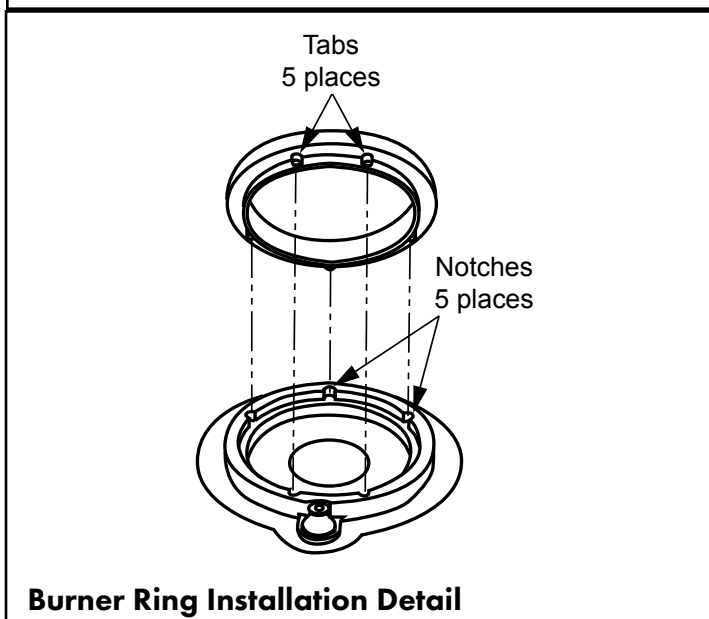
WARNING

- Never attempt to operate the cooktop with any of the burner parts removed.
- Do not attempt to adjust the burner air mixture settings. All adjustments are preset at the factory.

1. Remove the burner heads, burner rings, burner caps, and grates from their shipping packages.
2. Install the burners as shown. When installing the burner components, twist each piece back and forth slightly until it drops completely into place. The burners will not operate properly unless all of the burner pieces are properly seated.
3. Gently set the grates on top of the spill tray. Make sure that the rubber feet are seated in the grooves.



Cooktop Burner Components



Burner Ring Installation Detail

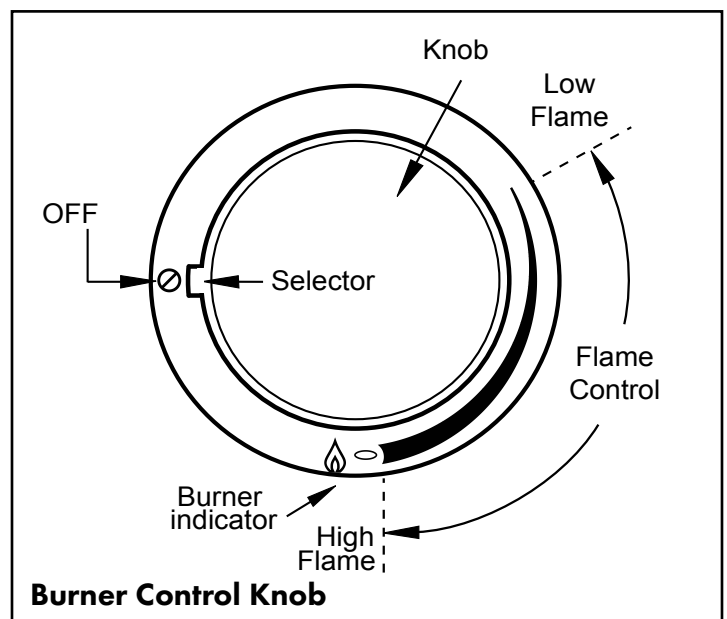
Verifying the Correct Setup

WARNING

- Make sure that power to the electrical outlet is turned off at the circuit breaker panel or fuse box and that the gas is turned off at the gas supply valve before proceeding.
- The cooktop must be properly grounded at all times when electrical power is applied.

Prior to operating the cooktop, carefully read the accompanying Use and Care Manual.

1. Make sure all the cooktop burner controls are in the **OFF** position.
 2. Connect the power cord to an electrical outlet.
 3. Flip the power on at the electrical outlet, the circuit breaker, or fuse box.
 4. Press down and turn one burner control knob slowly (left) to the **HIGH** flame mark. Verify that the correct burner igniter sparks.
 5. Return the control knob to the **OFF** position.
 6. Repeat for all of the remaining control knobs.
 7. Turn on the gas supply valve.
 8. Perform the following **IGNITION TEST** for all burners:
Refer to the diagram below:
 - Press and turn the control knob slowly left to the **HIGH** flame mark. It may take up to four seconds for the burner to ignite. Once the burner is lit, the igniter will no longer spark.
- If ignition does not occur within four seconds,
- Turn off the knob, wait for at least five minutes to allow any gas to dissipate, then repeat the test.



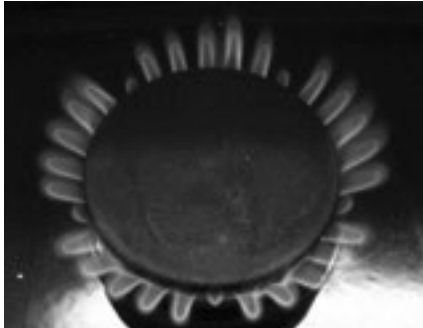
Burner Control Knob

Installation Instructions

Verifying the Correct Setup

- Once the burner lights, rotate the control knob from **HIGH** to **LOW** to adjust the flame height.
- When the unit is installed correctly, the flame burns steadily and has a sharp, blue inner cone that varies in length proportional to the burner size. The flame will be reduced by the Smart Flame™ feature under the grate fingers to increase grate life.

NOTE: If the cooktop does not function properly, follow these troubleshooting steps:



Correct Flame Appearance

- Verify that power and gas are supplied to the cooktop.
- Check to make sure that the power plug is connected to the electrical outlet and that power is turned on at the circuit breaker or fuse box.
- Check to make sure that the burners are correctly seated.
- If the burner continues to spark after ignition stopping, have a licensed electrician check the electrical outlet for proper grounding or reversed polarity.
- Repeat the above burner ignition test (step 8).
- If the appliance still does not work, contact Dacor Distinctive Service at (800) 793-0093 ex. 2822. Do not attempt to repair the appliance yourself. If you need service, be sure to have the model and serial numbers available when you call. See inside cover for location.

Dacor is not responsible for the cost of correcting problems caused by a faulty installation.

Installation Checklist

WARNING

To ensure a safe and proper installation, the following checklist should be completed by the installer to ensure that no part of the installation has been overlooked.

Proper installation is the responsibility of the homeowner. The importance of proper installation of your Dacor cooktop cannot be overemphasized.

- Is the electrical outlet for the cooktop grounded and located according to these instructions and in accordance with all applicable electrical codes? See page 4.
- Is the gas service for the cooktop located and installed according to these instructions and in accordance with all applicable codes? See page 4.
- Has the gas supply inlet pressure been measured to ensure that it does not exceed the maximums stated in these instructions? See page 4.
- Is the cooktop secured using the provided hold-down brackets? See page 9.
- Is the cooktop connected to the gas supply according to these instructions and in accordance with all applicable codes? Did the installer check the gas supply for leaks? See page 9.
- Are the burners and grates properly installed according to these instructions? See page 10.
- Has proper operation been verified?
- Has the warranty been activated on-line or the warranty card filled out completely and mailed?

Replacement Parts

Ordering Parts

Replacement parts can be easily obtained by contacting Dacor Customer Service.

Dacor Customer Service

Phone: (800) 793-0093 (U.S.A. and Canada)

Monday — Friday 6:00 A.M. to 5:00 P.M. Pacific Time

Parts Used on All Models	
Description	Dacor Part Number
Hold-down bracket w/screws (2 sets)	12269
Stainless steel cleaner (stainless steel models only)	A302

DTCT304G	
Description	Dacor Part Number
Regulator	82540
Grate	108850
Burner cap: left front	72435BM
Burner ring: left front	86918
Burner cap: left rear, right front	86524BM
Burner ring: left rear, right front	86408
Burner cap: right rear	86523BM
Burner ring: right rear	86407

DTCT365G	
Description	Dacor Part Number
Regulator	82540
Grate: large	108850
Grate: small	108851
Burner cap: left front	72435BM
Burner ring: left front	86918
Burner cap: left rear, right front	86524BM
Burner ring: left rear, right front	86408
Burner cap: center rear, right rear	86523BM
Burner ring: center rear, right rear	86407

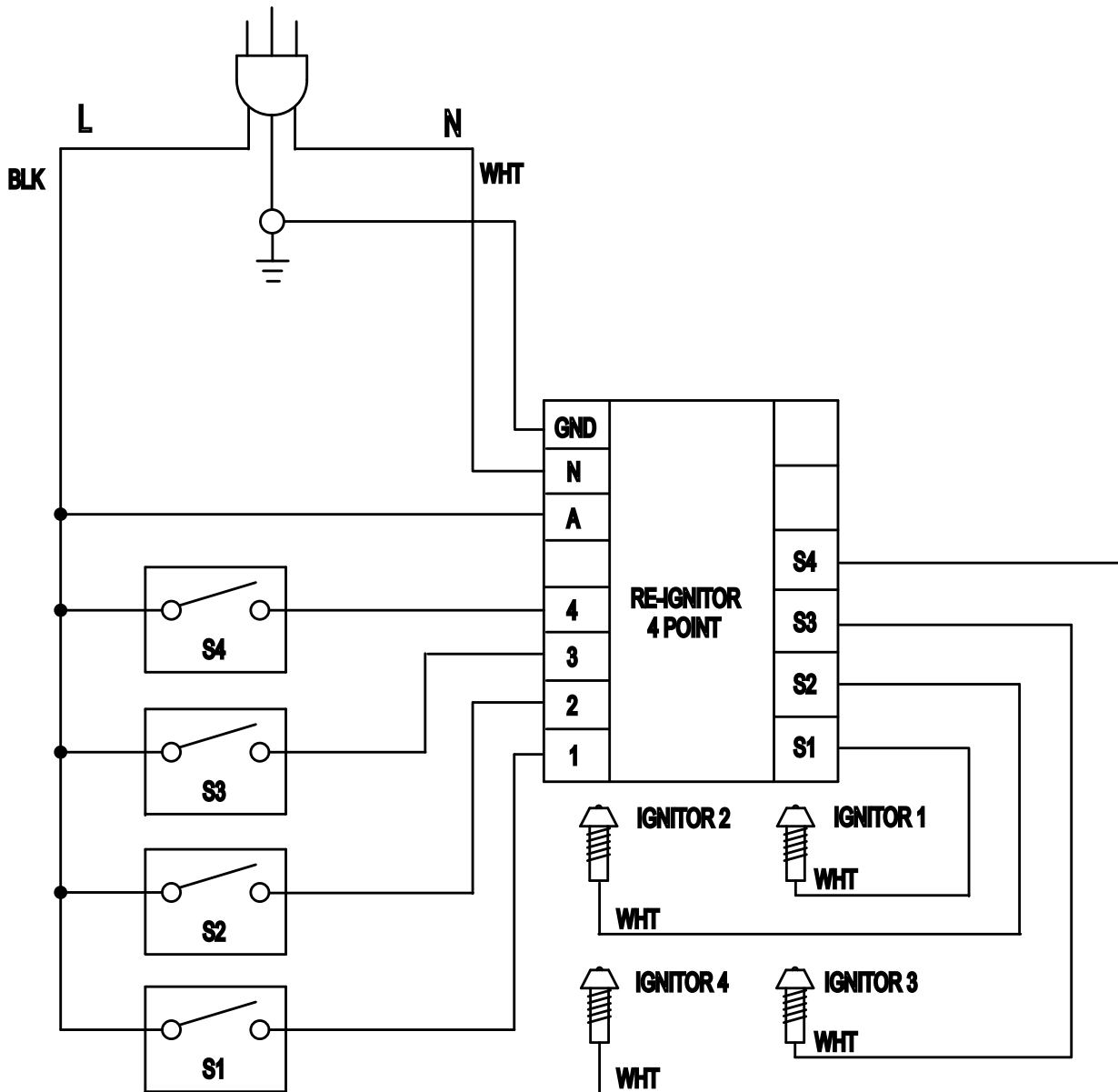
DTCT466G	
Description	Dacor Part Number
Regulator (Natural Gas)	62320
Regulator (LP)	62434
Grate: outer	108852
Grate: center	109052
Burner cap: left front, right front	72435SB
Burner ring: left front, right front	86918
Burner cap: left rear, center front, right rear	86524SB
Burner ring: left rear, center front, right rear	86408
Burner cap: center rear	86523SB
Burner ring: center rear	86407

Wiring Diagrams

120V, 60Hz
POWER SUPPLY
AFTER SERVICING
VERIFY PROPER OPERATION

WIRING DIAGRAM DTCT304G

CAUTION: LABEL ALL WIRES PRIOR TO DISCONNECTION
WHEN SERVICING CONTROLS. WIRING ERRORS CAN
CAUSE IMPROPER AND DANGEROUS OPERATION.

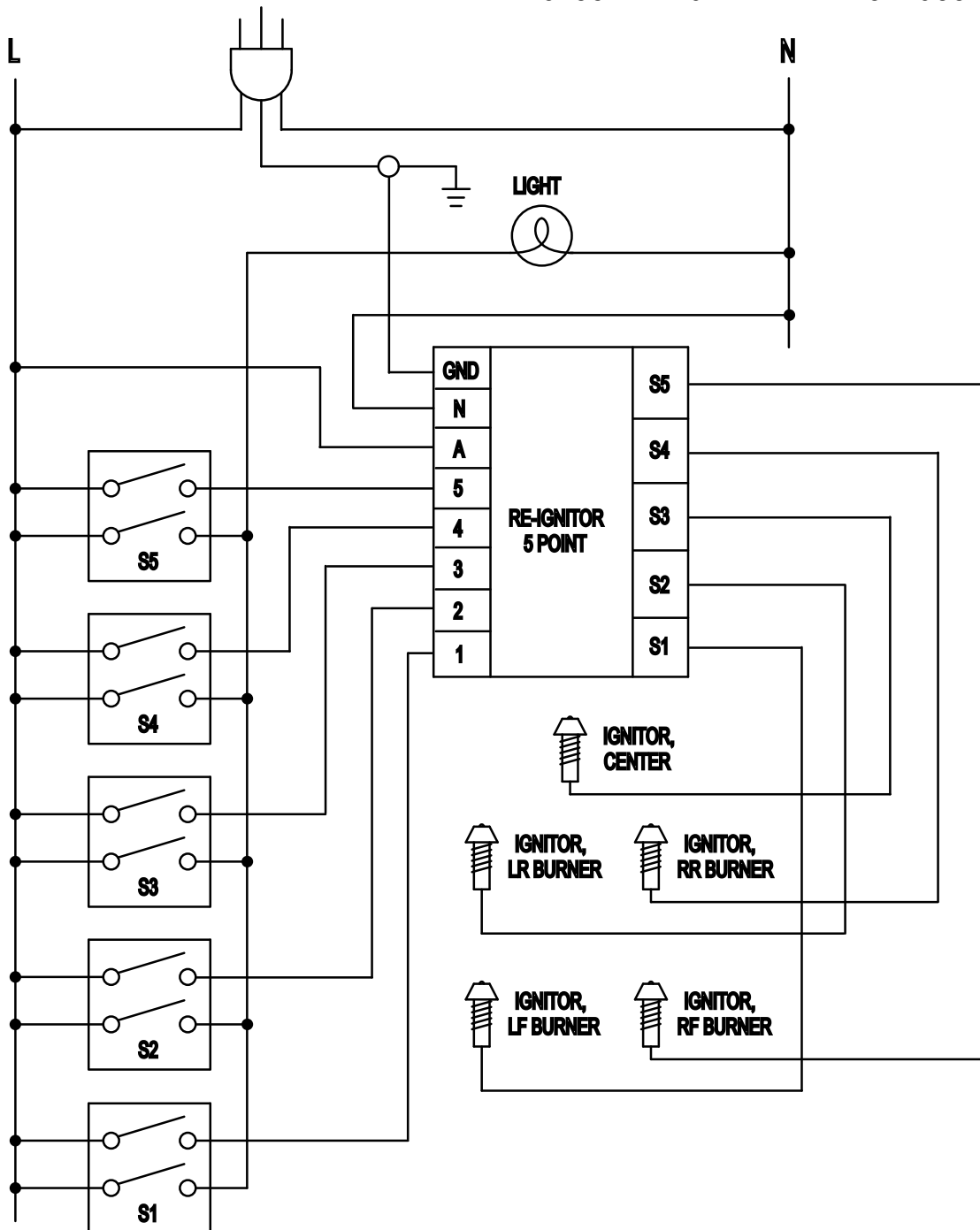


Wiring Diagrams

120V, 60Hz
POWER SUPPLY
AFTER SERVICING
VERIFY PROPER OPERATION

WIRING DIAGRAM DTCT365G

CAUTION: LABEL ALL WIRES PRIOR TO DISCONNECTION
WHEN SERVICING CONTROLS. WIRING ERRORS CAN
CAUSE IMPROPER AND DANGEROUS OPERATION.

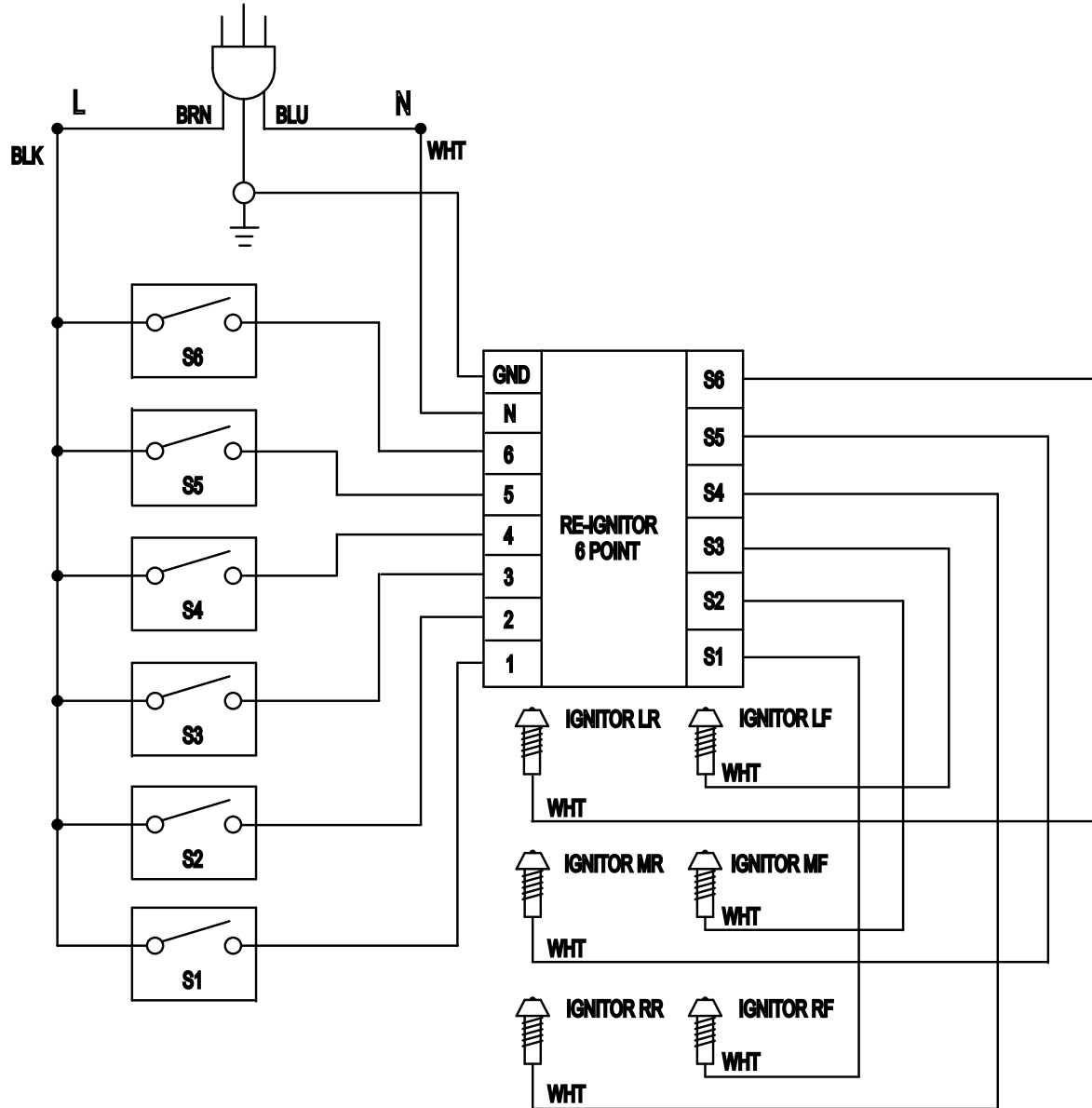


Wiring Diagrams

120V, 60Hz
POWER SUPPLY
AFTER SERVICING
VERIFY PROPER OPERATION

WIRING DIAGRAM DTCT466G

CAUTION: LABEL ALL WIRES PRIOR TO DISCONNECTION
WHEN SERVICING CONTROLS. WIRING ERRORS CAN
CAUSE IMPROPER AND DANGEROUS OPERATION.



Notes

Notes

dacor
The Life of the Kitchen.®

