

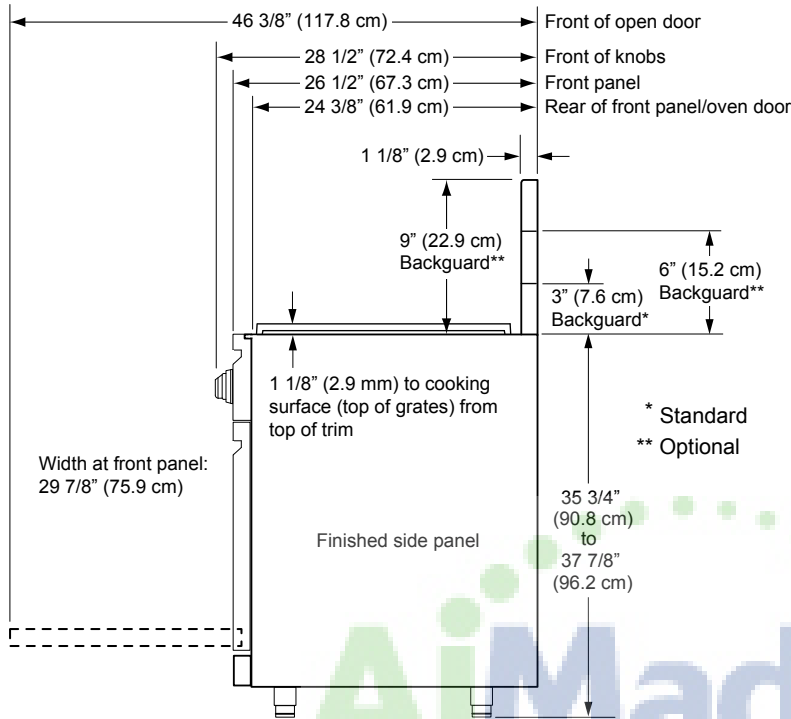
DR30D



Distinctive™ Dual Fuel Range

PLANNING GUIDE

All tolerances: ±1/16" (±1.6 mm) unless otherwise stated.

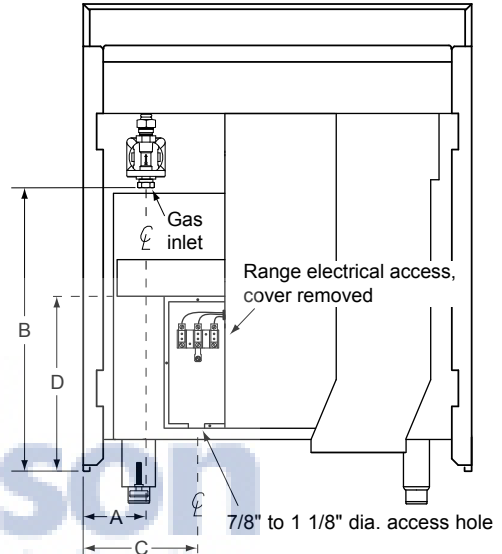


PRODUCT DIMENSIONS

NOTE: This range is NOT designed for self-rimming installation or installation with a raised vent.

WARNING

- Observe all governing codes and ordinances during planning and installation. Contact your local building department for further information.
- This appliance must be installed in accordance with the accompanying installation instructions.



GAS AND ELECTRICAL DIMENSIONS

Optional Backguard and Island Trim Part Numbers	
Description	Part Number
Island trim kit (no backguard)	ADTK30
6 inch trim kit	ADB3006
9 inch trim kit	ADB3009

Gas - Electrical Access Dimensions			
A	B	C	D
4 3/4" (12.1 cm)	22 1/8" (56.2 cm)	8 3/4" (22.2 cm)	13 3/4" (34.9 cm)

Gas Supply Pressure Requirements*		
Gas Type	Manifold Pressure	Minimum Gas Supply Pressure
Natural gas	5" water column	6" water column
LP	10" water column	11" water column

* Maximum input gas supply pressure for all models is 1/2 p.s.i.

The regulator inlet accommodates a 3/4" gas line. The range ships with a 1/2" to 3/4" adapter connected to the regulator.

Electrical Specifications	
Circuit Required	Total Connected Load
240 Vac, 60 Hz., 30 Amp.*	5.7 kW (23.8 Amp.)

* Two 120 Vac hot (L1 and L2), one neutral, one ground

The ratings above are for reference only - refer to the range's product data label for exact specifications.

Ranges equipped for installation in Canada:

- Ranges equipped for use in Canada come pre-wired with a 4-wire, 66 inch (168 cm) long, appliance cord and NEMA 14-50P plug.
- Do not modify the factory wiring. The plug is designed to plug directly into a NEMA 14-50R electrical receptacle installed by a licensed electrician.

All other models:

The conduit or appliance cord installed needs to be long enough to allow the range to be pulled out from the wall for service, while remaining connected. See next page for further details.

The wiring to the range must:

- Include a strain relief.
- Be terminated by tinned leads, closed loop terminals or open ended spade lugs with upturned ends.

Where local code permits, a 3 or 4 wire appliance cord may be used. It must:

- Be UL listed type SRD or SRDT.
- Be equipped with a NEMA 14-50P 4-wire plug or, where local code permits, a NEMA 10-50P 3-wire plug.





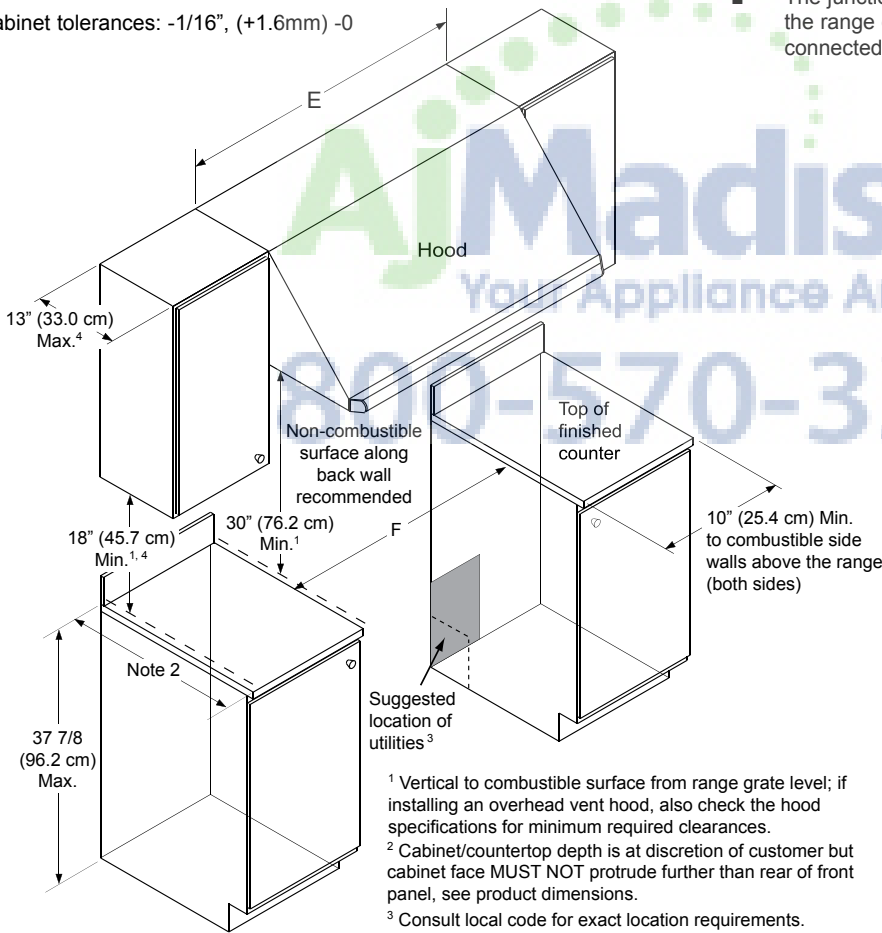
Distinctive Range

PLANNING GUIDE

Cabinet Layout

- Carefully check the location where the range is to be installed. For best performance, the range should be placed away from drafts that may be caused by doors, windows and heating and air conditioning outlets.
- To reduce the risk of personal injury and to reduce accumulated smoke in the room, Dacor strongly recommends installing a range hood. A range hood should project horizontally a minimum of five (5) inches beyond the face of the cabinets.
- All maximum and minimum dimensions and clearances shown in the diagram below must be maintained for safe operation.
- The range may be installed flush to the rear wall. A non-combustible rear wall is not mandatory, but Dacor highly recommends installing a non-combustible material from the countertop level up to the vent hood or installation of a backguard.
- Any openings in the wall behind the appliance or in the floor underneath it must be sealed.

Cabinet tolerances: -1/16", (+1.6mm) -0



REQUIRED CABINET DIMENSIONS

Gas and Electrical Service

- The shaded area shown below denotes the location of the gas inlet and the electrical junction box/receptacle. This is the recommended location. For replacement purposes, the location of the existing utilities may be utilized provided they do not interfere with the sides or rear of the range. Check local building codes for permissible gas valve locations.
- An external manual shut-off valve must be installed between the gas inlet and the range for the purpose of turning on or shutting off gas to the appliance.

The installation must allow for the following:

- Access to the gas shut-off valve when the unit is installed.
- Access to the remote circuit breaker panel/fuse box when the range is in place.
- The gas supply piping, gas shut-off valve and the electrical junction box or receptacle must be located so they do not interfere with the range when it is installed.
- The junction box and gas shut off valve must be located so that the range can be pulled out for service while the appliance remains connected.

Cutout Dimensions	
E	F
36" (91.4 cm)* 30" (76.2 cm)**	30 1/16" (916mm)
* Recommended ** Minimum	

¹ Vertical to combustible surface from range grate level; if installing an overhead vent hood, also check the hood specifications for minimum required clearances.

² Cabinet/countertop depth is at discretion of customer but cabinet face MUST NOT protrude further than rear of front panel, see product dimensions.

³ Consult local code for exact location requirements.

⁴ Not applicable for cabinets more than a horizontal distance of 10" (25.4 cm) from the edge of the range.