



Installation Instructions

Modernist Gas Pro Range

DOP36M96GL*

Contents

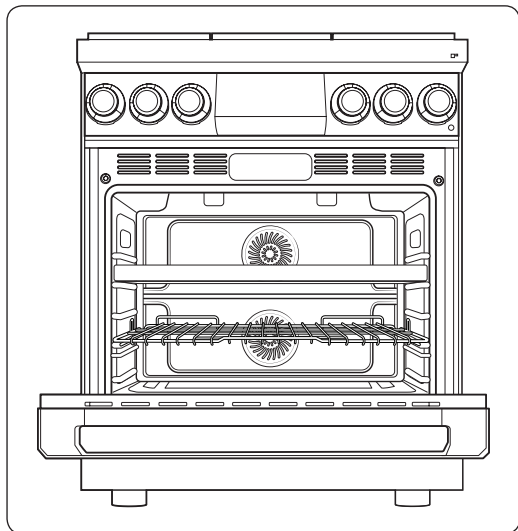
Before you begin	4
Important	4
About this manual	5
Important note to the installer	5
Important note to the consumer	5
Important note to the servicer	5
Customer service information	6
Important safety instructions	7
Read all instructions before using this appliance	8
Symbols used in this manual	8
Product specifications	21
What's in the box	21
Installation requirements	23
Pre-installation checklist	23
General requirements	23
Location requirements	27
Gas requirements	29
Special gas requirements (gas models sold in Massachusetts)	30
Electrical requirements	31
Installation instructions	32
Preparing for installation	32
Installing the knobs for surface burners	44
Cooktop assembly	45
Verifying proper operation	48
Removal and Re-installation	49
Installation checklist	50

WARNING: Failure to follow the instructions in this manual exactly may cause a fire or explosion, and, consequently, property damage, personal injury, or death.

- **DO NOT** keep or use gasoline or other flammable products near this appliance.
- **IF YOU SMELL GAS:**
 - **DO NOT** light any appliances.
 - **DO NOT** touch any electrical switches.
 - **DO NOT** use any phone in your building.
 - Immediately call your gas supplier from a neighbor's phone, and follow the supplier's instructions. (If you cannot reach your gas supplier, call the fire department.)
- Installation and service must be performed by a qualified installer, service agency, or the gas supplier.

Before you begin

Important



- The overall design and/or accessories may differ with the model.

Installer

- To promote safety and minimize problems, read this manual thoroughly before starting the installation. Leave this manual with the user.
- Write the appliance's model/serial numbers in this manual for service/maintenance reference.

User

- Keep this manual for personal and professional reference.

About this manual

READ THESE INSTRUCTIONS COMPLETELY AND CAREFULLY.

Important note to the installer

- Read all instructions contained in these installation instructions before installing the range.
- Remove all packing materials from the cooktop compartments before connecting the electric and gas supply to the range.
- Observe all governing codes and ordinances.
- Be sure to leave these instructions with the consumer.
- Installation of this appliance requires basic mechanical skills.
- Proper installation is the responsibility of the installer.
- Product failure due to improper installation is not covered under the Warranty.

Important note to the consumer

Keep these instructions with your user manual for future reference.

- As when using any appliance generating heat, there are certain safety precautions you should follow.
- Be sure your range is installed and grounded properly by a qualified installer or service technician.
- Make sure the wall coverings around the range can withstand the heat generated by the range.
- Cabinet storage space above the cooktop burners should be a minimum of 30 in (76.2 cm).

Important note to the servicer

The electrical diagram is in an envelope attached to the back of the range.

Customer service information

This section should appear as follows:

For installation issues, contact your Dacor dealer or Dacor Customer Assurance. Have available the appliance's model and serial numbers. (See the graphic below for location.)

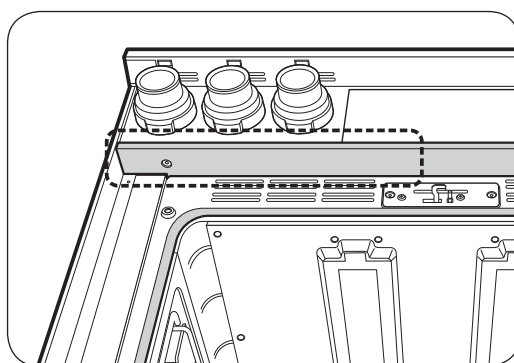
Dacor Customer Assurance

Phone: 833-35-ELITE (833-353-5483) USA, Canada

Mon - Fri, 5:00 a.m. to 5:00 p.m. Pacific Time

Product Information: knowledgebase.dacor.com

Website: www.dacor.com



Model and Serial Number Location

Important safety instructions

ANTI-TIP DEVICE



⚠ WARNING

ALL RANGES CAN TIP, RESULTING IN PERSONAL INJURY.



TIPPING RANGES CAN CAUSE BURNS FROM SPILLS, PERSONAL INJURY, AND/OR DEATH.

INSTALL AND CHECK THE ANTI-TIP BRACKET FOLLOWING THE INSTRUCTIONS AND TEMPLATE SUPPLIED WITH THE BRACKET.

- To prevent accidental tipping of the range, attach an approved anti-tip device to the floor. (See Installing the Anti-Tip Device in the Installation Instructions.) Check for proper installation by carefully tipping the range forward. The anti-tip device should engage and prevent the range from tipping over.
- If the range is pulled out away from the wall for any reason, make sure the anti-tip device is reengaged after the range has been pushed back into place.
- Follow the installation instructions found in the Installation Manual. Failure to follow these instructions can result in death, serious personal injury, and / or property damage.
- **DO NOT step / sit / lean** on the door or drawer to prevent accidental tipping of the range.

Important safety instructions

READ ALL INSTRUCTIONS BEFORE USING THIS APPLIANCE

- Electrical and gas equipment with moving parts can be dangerous. The important safety instructions in this manual are intended to minimize the risk of property damage, personal injury, and death. Be sure to read them.
- Keep this manual in a handy place so you can refer to it as needed.

Symbols used in this manual

WARNING

Hazards or unsafe practices that may result in severe personal injury or death.

CAUTION

Hazards or unsafe practices that may result in electric shock, personal injury, or property damage.

NOTE

Useful tips and instructions.

These warning icons and symbols are intended to prevent property damage and personal injury. Follow them explicitly.

California Proposition 65 Warning

WARNING

Cancer and Reproductive Harm - www.P65Warnings.ca.gov.

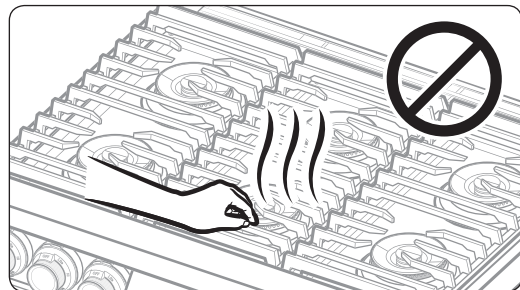
Commonwealth of Massachusetts

This product must be installed by a licensed plumber or gas fitter qualified or licensed by the State of Massachusetts. When using ball-type gas shut-off valves, you must use the T-handle type. Multiple flexible gas lines must not be connected in series.

General safety

WARNING

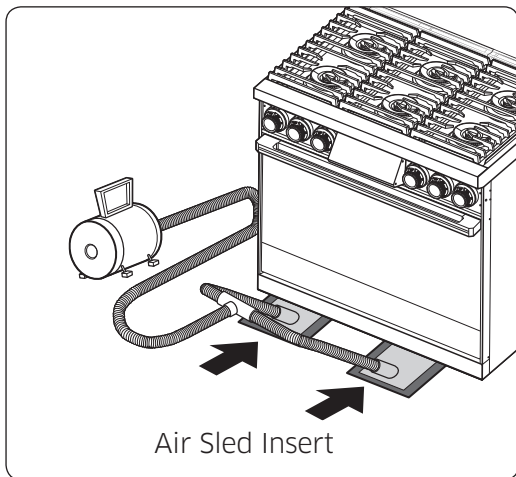
To reduce the risk of fire, electric shock, personal injury, or death, observe these precautions:



- **Do not touch** any surface, component, or mechanism of the product during or immediately after cooking.
- **Learn** where and how to open/close the range's gas valve.
- **Make sure** the anti-tip device is properly installed. (See the Installation Instructions for details.)
- **Do not** let children sit/stand on the product or play with any of its parts. Do not leave children unattended in the kitchen when the product is in use.
- **Remove** all packaging before operating the product to keep this material from catching fire. Keep all packaging away from children. Properly dispose of packaging as soon as the product is unpacked.
- **Do not** keep objects of interest to children on or around the product.
- **Do not operate** the product if it is damaged in any way, if it malfunctions, or is missing parts.
- **Do not use** the product as a space heater. This product is to be used for cooking purposes only.
- **Do not use** oven cleaners or oven liners in or around any part of the oven.

Important safety instructions

- Use only dry pot holders.
- **Do not use** the product to heat unopened food containers.
- **Do not strike** the oven glass.
- When disposing of the range, **cut off** the power cord and **remove** the door.
- **Unplug** the product before service/maintenance.
- **Make sure** all meat and poultry is cooked thoroughly. Meat should always be cooked to an internal temperature of 160 °F (71 °C). Poultry should always be cooked to an internal temperature of 180 °F (82 °C).
- An air curtain or other overhead range hood, which operates by blowing a downward airflow onto a range, shall not be used in conjunction with a gas range unless the hood and range have been designed and tested in accordance with the Standard for Domestic Gas Ranges, ANSI Z21.1 • CSA1.1, and listed by an independent testing laboratory for combination use.

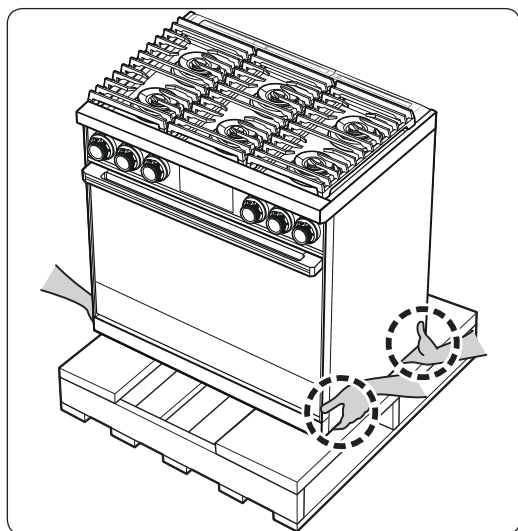
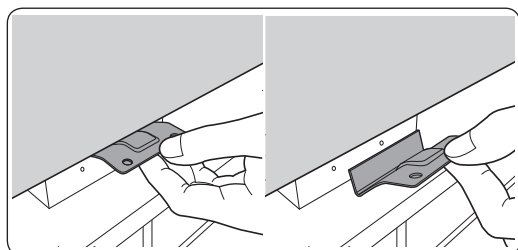
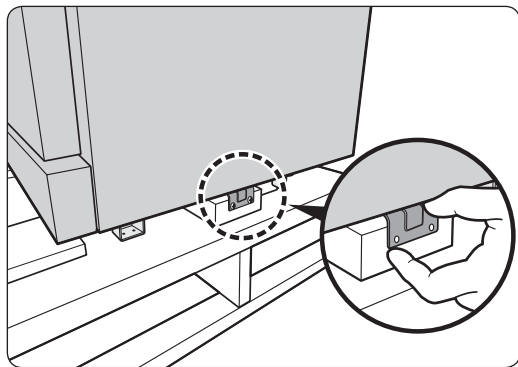


- Due to the weight, heavy equipment movers such as Air Sled should be used to move this unit. The weight must be supported uniformly across the bottom. After transporting the range by Air Sled where you want, the range can be leveled by adjusting the legs with a wrench while Air Sled is supported.

⚠ WARNING

NEVER use this appliance as a space heater to heat or warm the room. Doing so may result in carbon monoxide poisoning and overheating of the oven.

To remove safely from the pallet



1. Remove the screws from the bottom bracket on either side of the unit.
2. Press the bracket on either side to pull out.
3. Have two persons hold both bottom sides of the unit and lift up to remove from the pallet. Use caution not to hold the door handle.

Important safety instructions

Fire safety

⚠ WARNING

To reduce the risk of fire, electric shock, personal injury, or death, observe these precautions:



- **Do not store/place/use** combustible materials (e.g., paper, plastic, pot holders, linens, gasoline, alcohol) near the product.
- **Do not wear** loose fitting or hanging garments while using the product.

- To avoid grease buildup, **regularly clean** the vents.
- **Do not let** pot holders or other flammable material touch a heating element. Do not use a towel or other bulky cloth item as a pot holder.
- **Do not douse** a grease fire with water. Instead, turn off the heat source, and smother the fire with a tight-fitting lid, or use a multi-purpose, dry-chemical or foam extinguisher.
- If a grease fire should occur in the oven, **turn off the oven** by pressing the **OFF** button. Keep the oven door closed until the fire goes out. If necessary, use a multipurpose dry chemical or foam-type **fire extinguisher**.
- **Do not heat** unopened food containers - buildup of pressure may cause container to burst and result in injury.

Gas safety

WARNING

To reduce the risk of fire, electric shock, personal injury, or death, observe these precautions:

If you smell gas:

- **Close the valve** and do not use the product.
- **Do not light** a match, candle, or cigarette.
- **Do not turn on** any gas or electric appliances.
- **Do not touch** any electrical switch or plug in a power cord.
- **Do not use** any phone in your building.
- **Evacuate** everyone from the building.
- **Immediately call** your gas supplier from a neighbor's phone. Follow the gas supplier's instructions.
- If you cannot reach your gas supplier, call the fire department.

Checking for gas leaks

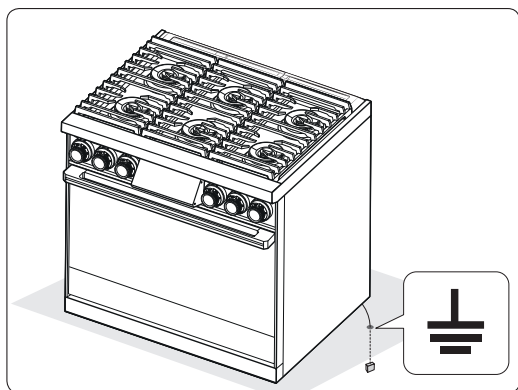
Leak-testing the appliance must be done according to the manufacturer's instructions. Do not use a flame to check for gas leaks. Use a brush to spread a soap-and-water solution around the area you are checking. If there is a gas leak, small bubbles will appear in the solution. When not sure, call for professional help.

Important safety instructions

Electrical and grounding safety

⚠ WARNING

To reduce the risk of fire, electric shock, personal injury, or death, observe these precautions:



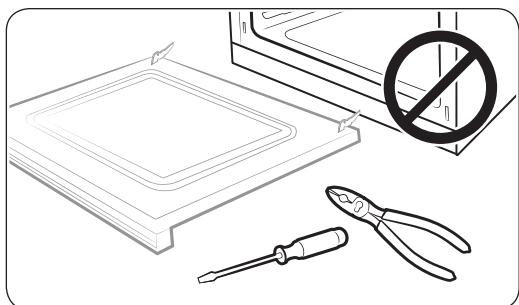
- Plug into a grounded and properly polarized outlet.
- **Do not remove** the ground prong.
- **Do not use** an adapter or an extension cord.
- **Do not use** a damaged power plug, power cord, or loose power outlet.
- **Do not modify** the power plug, cord, or outlet.

- **Do not put** a fuse in a neutral or ground circuit.
- Use a dedicated 120-volt, 60-Hz, 20-amp, AC, fused electrical circuit for this range. A time-delay fuse or circuit breaker is recommended and properly polarized. Do not plug more than one appliance into this circuit.
- **Do not connect** the ground wire to plastic plumbing lines, gas lines, or hot water pipes.
- This product must be grounded. If the range malfunctions grounding reduces the risk of electric shock by providing a safe path for the current. This range's power cord has a grounding plug, which must be firmly plugged into an outlet that is properly installed and grounded according to local regulations. If you are not sure your electrical outlet is properly grounded, have it checked by a licensed electrician.
- The range is supplied with a 3-pronged grounded plug. This cord must be plugged into a mating, grounded and properly polarized 3-prong outlet that meets all local codes and ordinances. If codes permit the use of a separate ground wire, we recommend that a qualified electrician determine the proper path for this ground wire.
- Electrical service to the range must conform to local codes, or in the absence of local codes, to the National Electrical code/NFPA No. 70 - Latest Revision (for the U.S.) or the Canadian Electrical Code CSA C22.1 or Latest Revisions.
- The product owner shall ensure that the proper electrical service is provided for the product.

Installation safety

⚠ WARNING

To reduce the risk of fire, electric shock, personal injury, or death, observe these precautions:



- This product should be installed and properly grounded by a qualified installer, as specified in the Installation Instructions. Adjustments and service should be performed only by qualified gas range installer or service technician.

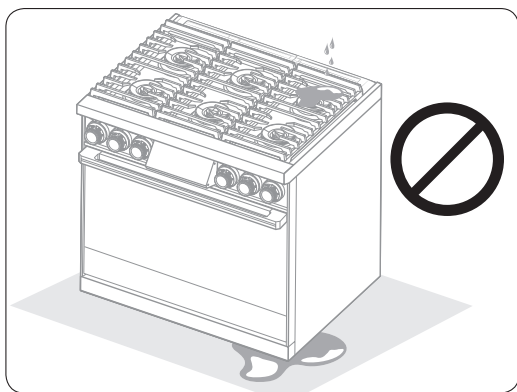
- **Do not try** to service/modify/replace the product or any part of it unless specifically recommended in this manual. All other service should be performed by a qualified technician.
- Use only new, flexible connectors when installing the product.
- **Make sure** the anti-tip device is properly installed. (See the Installation Instructions for details.)
- Due to the size and weight of the range, have **two or more people** move the range.
- **Remove** all tape and packaging materials.
- After unpacking the product, remove all accessories from inside and around it. (Cautiously handle the heavy grates.)
- **Make sure** no parts came loose during shipping.
- **Make sure** the product is correctly installed/adjusted by a qualified service technician or installer for the type of gas (natural or LP) you will use. For the range to use LP gas, the installer must replace every surface burner orifices with the provided LP orifice set, and reverse the GPR adapter. These adjustments must be made by a qualified technician according to manufacturer instructions and local regulations. The qualified agency performing this work shall be responsible for the gas conversion.
- Installation of this range must conform with local codes or, in the absence of local codes, with the National Fuel Gas Code, ANSI Z223.1/NFPA.54, latest edition. In Canada, installation must conform with the current Natural Gas and Propane Installation Code, CAN/CGA-B149.1, or the current Propane Installation Code, CAN/CGA-B149.2, and with local codes where applicable. This range has been design-certified by UL according to ANSI Z21.1/CSA 1.1, latest edition.

Important safety instructions

Location safety

⚠ WARNING

To reduce the risk of fire, electric shock, personal injury, or death, observe these precautions:



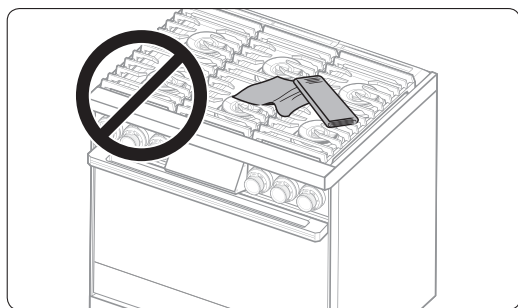
- This range is for indoor household use only. **Do not install** the range outdoors or anywhere that it will be exposed to weather/water or wind/ strong drafts.

- Select a level, well-constructed floor that can support the range's weight. Synthetic flooring, such as linoleum, must withstand 180 °F (82 °C) temperatures without shrinking, warping, or discoloring. **Do not install** the range directly over interior kitchen carpeting unless a sheet of ¼ inch plywood or a similar insulator is placed between the range and carpeting.
- The range must be installed within easy reach of a grounded, 3-prong outlet.
- Do not hang paper blinds on a window near the range; do not hang long curtains that could be blown over/onto the range.
- For the range to ventilate properly, make sure the range's vents are not blocked or covered, and that there is enough clearance at the top, back, sides, and underneath the range. The vents allow the necessary exhaust for the range to operate properly with correct combustion and get the good cooking result.
- **Make sure** the wall coverings around the range can withstand heat up to 194 °F (90 °C) generated by the range.
- Cabinet storage above the surface of the range should be avoided. If cabinet storage above the range is necessary: allow a minimum clearance of 30 inches (76.2 cm) between the cooking surface and the bottom of cabinets; or install a range hood that projects horizontally a minimum of 5 inches (12.7 cm) beyond the bottom of the cabinets.

Cooktop safety

⚠ WARNING

To reduce the risk of fire, electric shock, personal injury, or death, observe these precautions:



- **Make sure** all burners are off when not in use.
 - **Do not use** aluminium foil to line the grates or any part of the cooktop.
 - **Do not leave** burners unattended on medium or high heat settings.
 - Before igniting, **make sure** all burner caps are properly in place and all burners are level.
-
- Always use the LITE position to ignite a burner, then make sure the burner has ignited. If ignition fails, turn the knob to OFF, and wait a few minutes for the gas to dissipate.
 - When you set a burner to simmer, **do not turn** the knob quickly. Make sure the flame stays on.
 - **Do not** place any objects other than cookware on the cooktop.
 - This cooktop is designed to cook with a wok or wok ring attachment. If foods are flamed, they should only be flamed under a ventilation hood that is on.
 - Before removing or changing cookware, turn off the burners.
 - Remove food and cookware immediately after cooking.
 - Make sure all cooktop burners are off and all surfaces have completely cooled before removing the grates and disassembling the burners.
 - After cleaning the burner head, **make sure** it is completely dry before re-assembling.
 - **Make sure** the spark mark on the dual burner spreader is placed beside the electrode when it is assembled.
 - To avoid carbon monoxide poisoning, do not pour water or other liquids into the cooktop during cleaning.
 - Select cookware that is designed for cooktops and that is large enough to cover the grates. Burner flames should not extend beyond the bottom of the cookware.
 - To avoid cookware discoloration, deformity, and/or carbon monoxide poisoning, **do not use** cookware that is exceedingly larger than the grate.
 - Turn cookware handles to the side or rear of the cooktop and not over active burners or the front edge of the cooktop.
 - Stand at a safe distance while frying to avoid hot spatter.



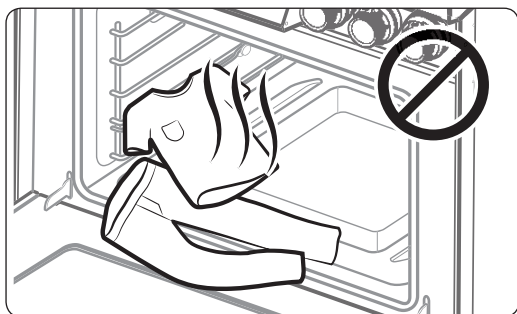
Important safety instructions

- When frying, always heat the oil slowly, and monitor the oil as it heats. When frying foods at high heat, monitor the oil throughout the cooking process. If combining fats or oils for frying, mix them together before heating.
- Use a deep-fry thermometer when possible to avoid heating the oil beyond its smoke point. (Know the smoke point of the oil you are using.)
- Always use a minimum amount of oil for any type of frying. Always thaw food before frying, and do not fry food that is overly cold or that has clumps of ice attached to it.
- Always let the oil/fat in the cookware to cool to room temperature before moving the cookware.
- To avoid delayed-eruptive boiling, let hot oil/fat stand at least 20 seconds after turning off the burner so the temperature can stabilize. In the event of scalding, follow these first-aid instructions:
 1. Immerse the scalded area in cool or lukewarm water for at least 10 minutes.
 2. Do not apply any creams, oils, or lotions.
 3. Cover with a clean, dry cloth.

Oven safety

WARNING

To reduce the risk of fire, electric shock, personal injury, or death, observe these precautions:



- **Do not use** the oven for non-cooking purposes such as drying clothes or storage. Use the oven for cooking purposes only.

- Make sure the oven racks are placed on the same level on each side.
- Do not damage, move, or clean the door gasket.
- Do not spray water on the oven glass while the oven is on or just after you have turned it off.



-
- Do not use aluminium foil or foil liners anywhere in the oven. Do not use aluminium foil or like material to cover any holes or passages in the oven bottom or to cover an oven rack.
 - Stand away from the oven when opening the oven door.
 - Keep the oven free from grease buildup.
 - When repositioning the oven racks, make sure the oven is completely cool.
 - Do not leave plastic items inside the oven.
 - To avoid damaging the burner control knobs or oven control, always bake and/or broil with the oven door closed.
 - Do not broil meat too close to the broil element. Trim excess fat from meat before cooking.
 - When using cooking or roasting bags in the oven, follow the manufacturer's directions.
 - Do not use harsh abrasive cleaners or sharp metal scrapers to clean the oven door glass. They can scratch the surface which may result in the glass shattering.

CAUTION

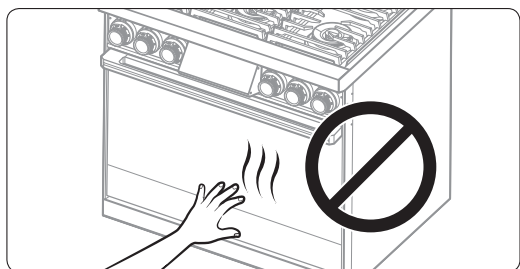
- **Do not attempt to operate the oven during a power failure.**
- If the power fails, always turn the oven off. If the oven is not turned off and the power returns, the oven may begin to operate again. Food left unattended could catch fire or spoil.

Important safety instructions

Self-cleaning oven safety

⚠ WARNING

To reduce the risk of fire, electric shock, personal injury, or death, observe these precautions:

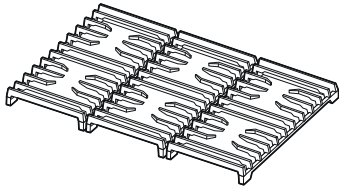


- The self-cleaning feature operates the oven at temperatures high enough to burn away food soils in the oven. The range is extremely hot during a self-cleaning cycle. **Do not touch** any surfaces of the range during a self-cleaning cycle.

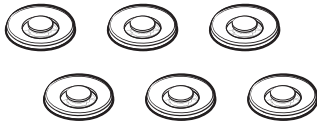
- Keep children away from the oven during a self-cleaning cycle.
- Before starting a self-cleaning cycle, **remove** all racks, cookware, and utensils from the oven. Only porcelain-coated oven racks may be left in the oven.
- Before operating the self-clean cycle, wipe grease and food soils from the oven.
- Excessive amounts of grease may ignite, leading to smoke damage to your home.
- When opening the door after a self-cleaning cycle, stand away from the oven.
- If the self-cleaning cycle malfunctions, turn off the oven, turn off the power breaker, and contact a qualified service technician.
- Never keep pet birds in the kitchen. Birds are extremely sensitive to the fumes released during an oven self-clean cycle. Fumes may be harmful or fatal to birds. Move birds to a well-ventilated room.
- Do not use any commercial oven cleaner or oven liner protective coating of any kind in or on the outside of the oven.
- Remove the nickel oven shelves from the oven before you begin the self cleaning cycle or they may discolor.
- Excess spillage must be removed before you run the self-cleaning cycle.

Product specifications

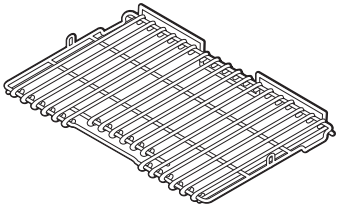
What's in the box



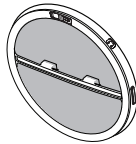
Grate Side L&R (2)
Grate Mid (1)



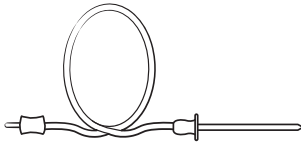
Burner heads (6) and
Burner caps (6)



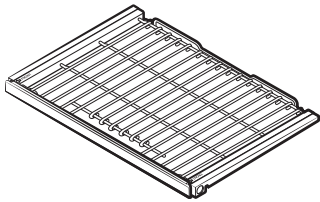
Flat rack (1)



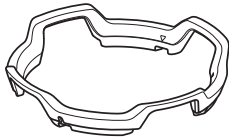
Convection filter (2)



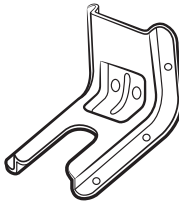
Temp. Probe (1)



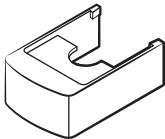
Gliding racks (2)



WOK ring (1)



Anti-tip bracket (1)



Front leg covers (2)

The range is supplied with two different types of burner caps (brass and porcelain) to suit the customer's preference.

Product Specifications

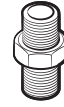
Parts needed



Gas line shut-off valve



Flexible metal appliance connector ½ in (ID) x 5 ft



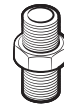
Flare union adapter ¾ in (NPT) x ½ in (ID)



135-degree elbow (optional)



Lag bolt or ½-in (OD) sleeve anchor



Flare union adapter ½ in (NPT) x ½ in (ID)

Tools needed



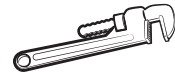
Flat-blade screwdriver



Phillips screwdriver



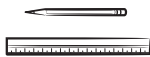
Open-end or adjustable wrench



Pipe wrench (2)



Nut driver



Pencil and ruler



Level



Pipe joint compound



Utility knife



Soapy water solution

Installation requirements

Pre-installation checklist

1. Before preparing the opening in the countertop or cabinet, verify that there will be no conflict between the range and anything in the cabinet below.
2. Remove packing materials, grate boxes, regulator with literature, and literature package from the range, verify that all items are present before beginning the installation.

General requirements

Clearances and dimensions

- For OTR appliance installation, follow all local codes and ordinances.
- **BEFORE YOU BEGIN** to install this appliance, refer to the following information, dimensions, and clearances. Do not locate the range where it may be subject to strong drafts. Provide adequate clearances between the range and adjacent combustible surfaces. These dimensions must be met for safe use of the range. The location of the electrical outlet and gas piping may be adjusted to meet the following dimensions and clearances.
- The range may be installed flush to the rear wall. Dacor strongly recommends installing a non-combustible material on the rear wall above the range and up to the vent hood. It is not necessary to install non-combustible materials behind the range below the countertop height. Any openings in the wall behind the appliance or in the floor underneath it must be sealed.
- For installation in Canada, a free-standing range is not to be installed closer than 4.7 in (12 cm) from any adjacent surface.

CAUTION

This range has been designed to comply with the maximum allowable wood cabinet temperature of 194 °F (90 °C). Make sure the wall covering, countertops, and cabinets around the range can withstand the heat (up to 194 °F [90 °C]) generated by the range. If not, discoloration, delamination, or melting may occur.

Installation requirements

Minimum dimensions

WARNING

If overhead cabinets are used, a range hood should be installed that projects horizontally a minimum of 5" (12.7 cm) beyond the front of the cabinets.

This will dissipate any heat buildup in the overhead cabinets to prevent risk of personal injury, fire, or death. The ventilating hood must be constructed of sheet metal not less than 0.0122" thick. Install the hood above... the range with a clearance of at least 1/4" between the hood and bottom of the combustible material or metal cabinet. The hood must be at least as wide as the appliance and centered over the appliance. Clearance between the cooking surface and the ventilation hood surface must never be less than 24 inches.

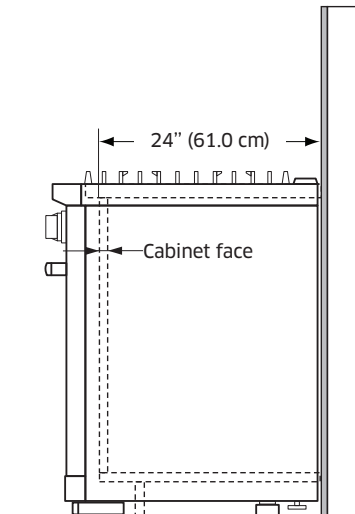
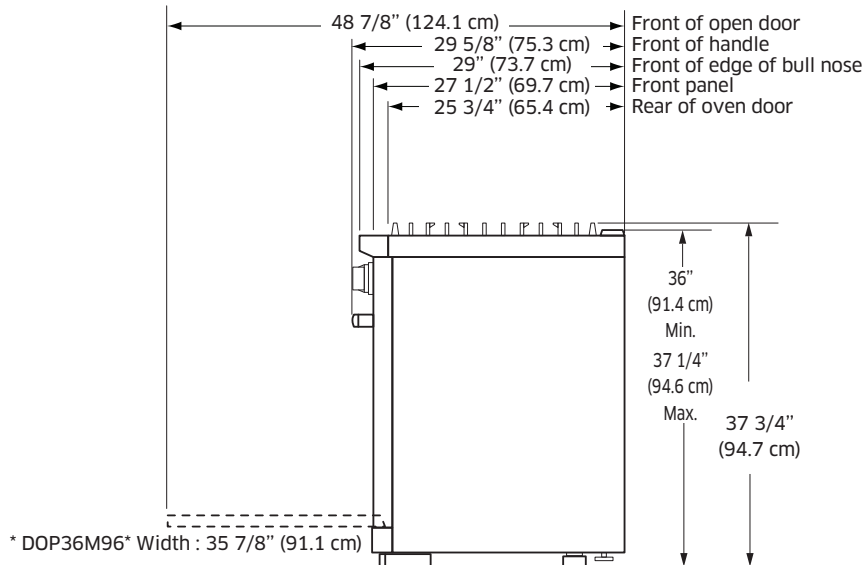
Exception : Installation of a listed microwave oven or cooking appliance over the range shall conform to that appliance's installation instructions.

- 30 in (76.2 cm) minimum clearance between the top of the cooking surface and the bottom of an unprotected wood or metal cabinet; or 24 in (61 cm) minimum when the bottom of the wood or metal cabinet is protected by not less than 0.25 in (0.64 cm) flame-retardant millboard covered with not less than no. 28 MSG sheet steel, 0.015 in (0.038 cm) stainless steel, 0.024 in (0.061 cm) aluminum, or 0.020 in (0.051 cm) copper.
- 18 in (45.7 cm) minimum between the countertop and the adjacent cabinet bottom.
- For island installation, maintain at least 2 1/2" from the cutout to the back edge of the countertop and at least 4" from the cutout to the side edges of the countertop.

Product dimensions

NOTE

Product tolerances: $\pm 1/16$ " (± 1.6 mm)



**View of Range Installed
(Side View)**

Installation requirements

Installation requirements

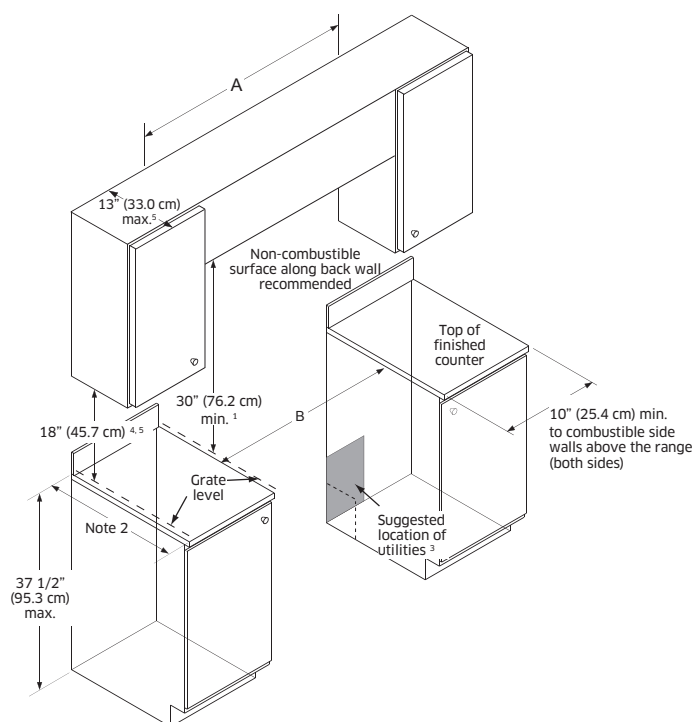
Cabinet dimensions

- All maximum and minimum dimensions and clearances shown in the diagrams below must be maintained for safe operation.
- Verify that the range installation site is away from any type of draft.
- To reduce risk of fire and personal injury, cabinets should not be installed above the range. If such cabinets are unavoidable, install a range hood that projects 5" beyond the front of those cabinets.

CUTOUT DIMENSIONS		
Range Model	A	B
DOP36M96*	42" (106.7 cm)* 36" (91.4 cm)**	36" (91.4 cm)** 36 1/8" (91.7 cm)***

* Recommended ** Minimum *** Maximum

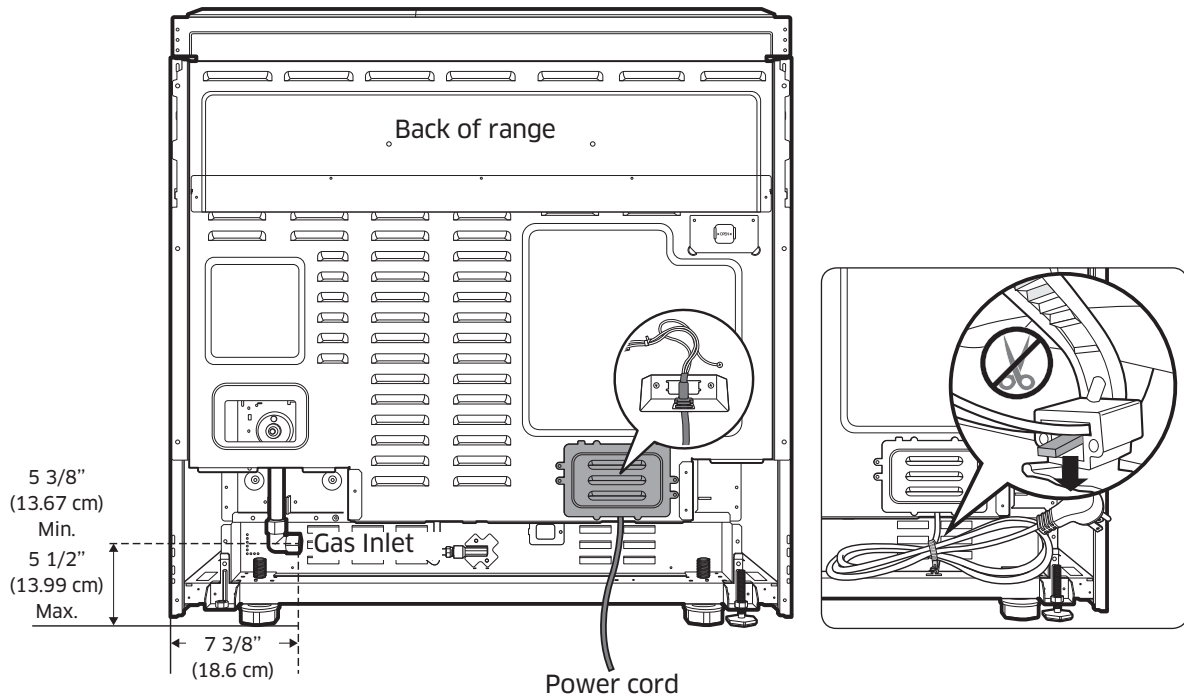
Standard Cutout with Range Hood



- 1 Vertical from range grate level to combustible overhead surface; if installing an overhead vent hood, also check hood specifications for minimum required clearances.
- 2 Cabinet/countertop depth is at discretion of customer but cabinet face MUST NOT protrude further than rear of front panel, see product dimensions.
- 3 Consult local code for exact location requirements.
- 4 Vertical from grate level to combustible surface.
- 5 This specification does not apply for cabinets more than a horizontal distance of 10" (25.4 cm) from the edge of the range.

Location requirements

DOP36M96*



¹ Measurement with appliance legs adjusted to lowest height.

² The hole size for the electrical wiring may be increased to 1 1/8" (2.9 cm) by removing the conduit bracket in the bottom of the range electrical box.

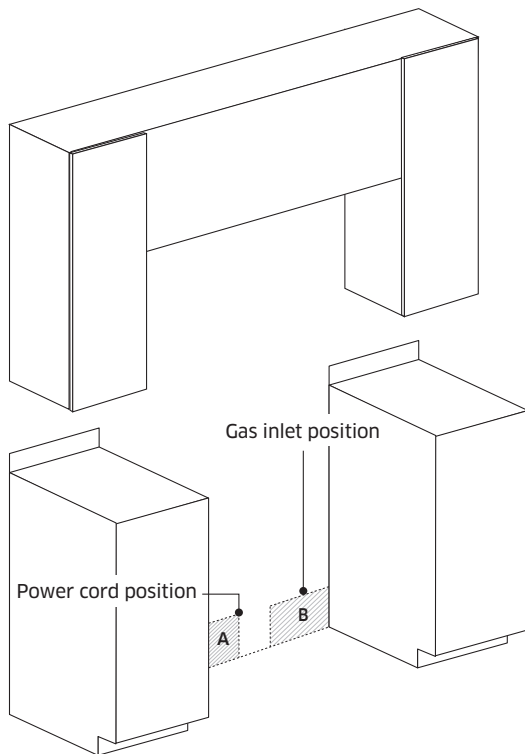
NOTE

Before plugging in, note that the cable tie at the rear of the unit features a lever that unties the power cable. To release the tie, do not cut it loose. Instead, use the lever to release the tie.

Installation requirements

Gas and Electrical Service

- The black dots in the graphic below represent the recommended locations of the gas inlet and power outlet. Existing utilities may be used if they do not interfere with the range installation. Check local building codes for permissible gas-valve locations.
- An external manual shut-off valve must be installed between the gas inlet and range so gas to the range can be shut off. Installation must allow:
 - Access to the gas shut-off valve when the unit is installed.
 - Access to the remote circuit breaker panel/fuse box, when the range is in place.
 - The gas supply piping and shut-off valve, and the electrical junction box/receptacle must be located so they do not interfere with the range when it is installed.
 - The junction box and gas shut off valve must be located so that the range can be pulled out for service while the appliance remains connected.



Model	DOP36M96*
A	Power cord 9 ⁷ / ₈ " (W) X 6 ⁹ / ₈ " (H) (25.1 cm x 17.5 cm)
B	Gas inlet 17 ¹⁵ / ₁₆ " (W) X 5 ³ / ₈ " (H) (45.5 cm x 13.8 cm)

Gas requirements

Provide adequate gas supply.

This range is designed to operate at a pressure of 5 in (13 cm) of water column on natural gas or 10 in (25 cm) of water column on LP gas (propane or butane).

Make sure you are supplying your range with the type of gas for which it is designed.

Do not attempt to convert the appliance from the gas specified in this manual to a different gas without consulting the gas supplier.

This range is convertible for use on natural or propane gas. If you decide to use this range on LP gas, conversion must be made by a qualified LP installer before attempting to operate the range. (conversion kit : 703850)

For proper operation, the pressure of natural gas supplied to the regulator must be between 5 in and 13 in (13 cm and 33 cm) of water column.

For LP gas, the pressure supplied must be between 10 in and 13 in (25 cm and 33 cm) of water column.

When checking for proper operation of the regulator, the inlet pressure must be at least 1 in (2.5 cm) greater than the operating (manifold) pressure as given.

The pressure regulator located at the inlet of the range manifold must remain in the supply line regardless of whether natural or LP gas is being used.

A flexible-metal appliance connector used to connect the range to the gas supply line should have an I.D. of 0.5 in (1.3 cm) and be 5 ft (152 cm) in length for ease of installation.

In Canada, flexible connectors must be single-wall metal connectors no longer than 6 ft (183 cm) in length.

Do not kink or damage the flexible metal tubing when moving the range.

NOTE

- The rangetop has its own regulator. Use only the provided regulator, which must be installed in the gas line that runs from the cooktop gas inlet to the gas shut-off valve.
- An external manual shut-off valve must be installed between the gas inlet and the cooktop for turning on/off gas to the appliance.
- Be sure the connectors are installed by a qualified installer.
- For a new product, never install used connectors, which can leak gas and cause personal injury. Use only new, flexible connectors.

Installation requirements

Special gas requirements (gas models sold in Massachusetts)

COMMONWEALTH OF MASSACHUSETTS REQUIREMENTS:

WARNING

- Gas leaks may occur in your system, creating a dangerous situation.
 - Gas leaks may not be detected by smell alone.
 - Gas suppliers recommend installing a UL-approved gas detector according to manufacturer specifications.
- The range must be installed by a plumber or gas fitter certified by the State of Massachusetts.
- A T-handle manual gas valve **MUST** be installed in the gas supply line to your product.
- If a flexible gas connector is used to install your cooktop, multiple flexible gas lines must not be connected in series.

Electrical requirements

- Failure to follow these instructions can result in death, fire, or electrical shock.

WARNING

- It is the owner's responsibility to make sure that the electrical service meets electrical requirements and that the electrical outlet has been properly installed by a licensed electrician.
- To reduce the risk of fire, electric shock, or personal injury:

All range

- Do not use an extension cord or adapter plug with this range.
- This range must be properly grounded.
- Check with a qualified electrician if you are in doubt as to whether your range is properly grounded and polarized.
- Do not modify the range power plug. If it does not fit the outlet, have a proper outlet installed by a qualified electrician.
- All wiring and grounding must comply with local codes or, in the absence of local codes, with the National Electrical Code, ANSI/NFPA No. 70 - Latest Revision (US), or the Canadian Electrical Code CSA C22.1 - Latest Revisions and local codes.
- The wiring diagram is located on the back of the range.
- The range's electronic ignition system will not operate if the outlet is not properly polarized.
- A dedicated circuit breaker is recommended.
- This table gives the minimum recommended dedicated-circuit protection.

KW Rating (120 V)	Recommended Circuit Size (Dedicated)
0 - 7.2 KW	10 Amp

Installation instructions

Preparing for installation

WARNING

- If the gas or electric service provided does not meet the product specifications, do not proceed with the installation. Call the dealer, the gas supplier or a licensed electrician.
- Before installing the range, you must locate and secure the anti-tip bracket to the floor.

Unpacking the Range

Unpack the parts box and verify that all required components have been provided. If any item is missing or damaged, please contact your dealer immediately. Do not install a damaged or incomplete appliance.

Install the anti-tip device

WARNING

- To reduce the risk of tipping, the appliance must be secured by properly installing the anti-tip device packed with the appliance.
- All ranges can tip, resulting in personal injury.
- Tipping ranges can cause burns from spills, personal injury, and/or death.
- To prevent accidental tipping, install and check the anti-tip bracket following the instructions and template supplied with the bracket.

Convert to lp gas (optional)

All new gas ranges are shipped from the factory set up to use natural gas. This Dacor gas range can be converted to use LP gas. Refer to page 78 in the User Manual to contact a qualified service technician.

The conversion process should only be performed by a qualified LP gas installer.

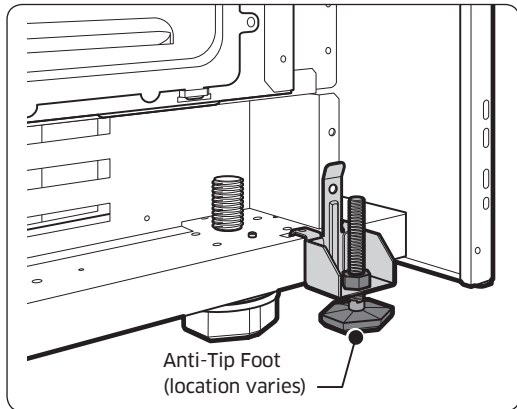
Conversion instructions and LP orifices will be supplied with the LP conversion kit.

The conversion to LP requires all burner orifices to be changed (5 surface burners and 2 oven burners).

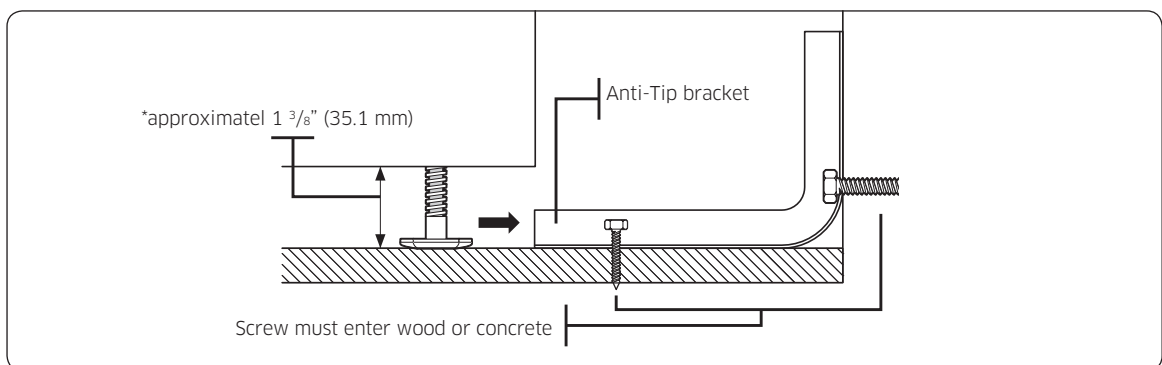
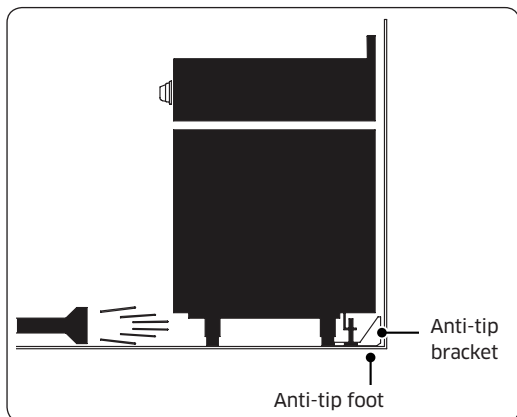
In addition, the nozzle on the gas pressure regulator needs to be reversed. All replaced orifices must be left with the consumer, including the instructions and retrofit sizes and orifice indication.

BURNER ORIFICE SIZES AND OUTPUT RATINGS (LP Gas [Propane] 10 in WCP)		
Burner Location	BTU Rate	Orifice Size [mm]
LF	16,500	In 0.46 / Out 0.78*2
LR	14,500	In 0.46 / Out 0.74*2
RF	16,500	In 0.46 / Out 0.78*2
RR	14,500	In 0.46 / Out 0.74*2
CF	14,500	1.12
CR	14,500	1.12
Broil	14,500	0.79*2
Bake	23,000	1.4

Installation instructions



An anti-tip bracket and screws, installation instructions, and template are shipped with every range (PN 114475). The instructions include information necessary to complete the installation of the anti-tip bracket. Read and follow the instructions on the sheet and use the template for anti-tip bracket installation. If not properly installed, the range could be tipped by you or a child standing, sitting, or leaning on an open oven door.



NOTE

To install the Anti-Tip bracket, release the leveling leg. A minimum clearance of 1 ³/₈" (35.1 mm) is required between the range bottom and the kitchen floor.

To check if the bracket is installed and engaged properly, remove the kick panel and look underneath the range to see that the leveling leg is engaged in the bracket. Carefully tip the range forward. The bracket should stop the range within 4 inches (10.2 cm) of tipping. If it does not, the bracket must be reinstalled.

If the range is pulled from the wall for any reason, always repeat this procedure to verify the range is properly secured by the anti-tip bracket. Never completely remove the leveling legs or the range will not be secured to the anti-tip device properly.

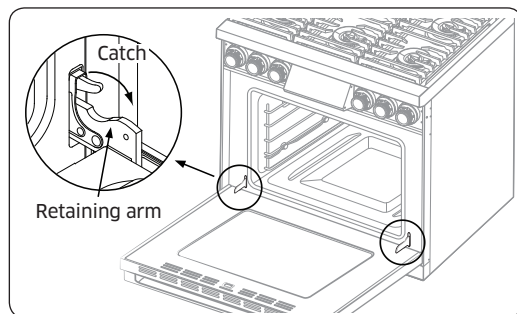
Removing the Oven Door

WARNING

- Do not attempt to disengage the hinge catches with the door(s) removed from the range. The hinge springs could release causing personal injury.
- Do not lift or carry the oven door(s) by the handle.

NOTE

To make the range easier to move, remove the door(s) to reduce weight.

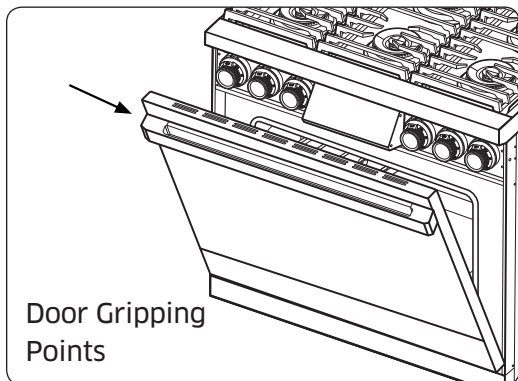


1. Open the door fully.
2. Use a pair of needle nose pliers or a flat blade screwdriver to rotate the catch over the retaining arm on each hinge.

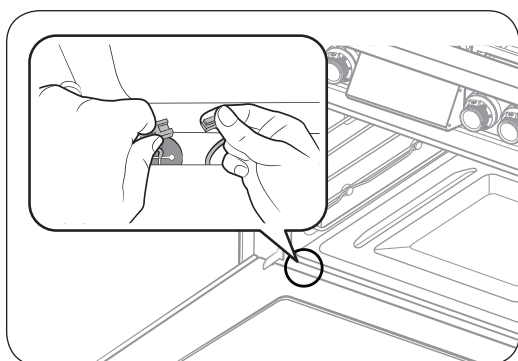
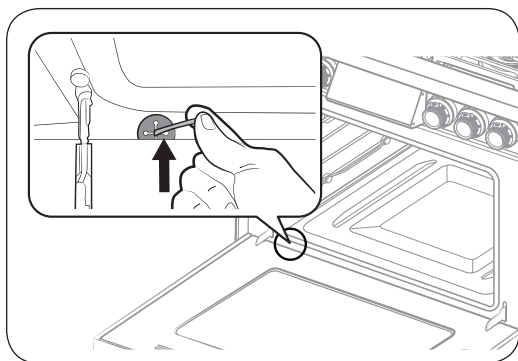
NOTE

As you remove the door, disconnect the cable at the bottom-left corner of the door to avoid damaging the cable.

Installation instructions



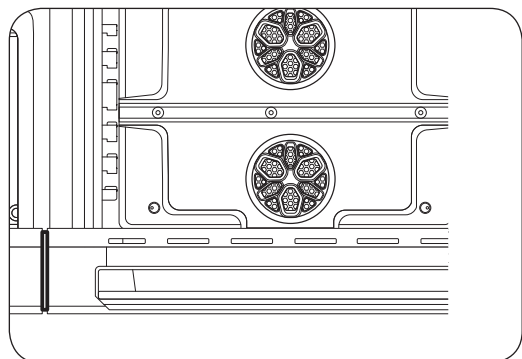
3. Lift the oven door to about a 15° angle from the vertical position.
4. Hold the door with both hands just below the handle and lift it off the oven.



Electrical connection

CAUTION

For personal safety, do not use an extension cord with this appliance. Remove the house fuse or open the circuit breaker before beginning installation.



This appliance must be supplied with the proper voltage, polarization and frequency, and connected to an individual properly grounded branch circuit, protected by a circuit breaker or fuse having amperage as specified on the rating plate. The rating plate is located on the inner side of each side panel covering oven door.

We recommend you have the electrical wiring and hookup of your range connected by a qualified electrician. After installation, have the electrician show you where your main range disconnect is located.

Check with your local utilities for electrical codes which apply in your area. Failure to wire your oven according to governing codes could result in a hazardous condition. If there are no local codes, your range must be wired and fused to meet the requirements of the National Electrical Code, ANSI/NFPA No. 70-Latest Edition. You can get a copy by writing:

National Fire Protection Association
Batterymarch Park
Quincy, MA 02269

Installation instructions

Gas connection

WARNING

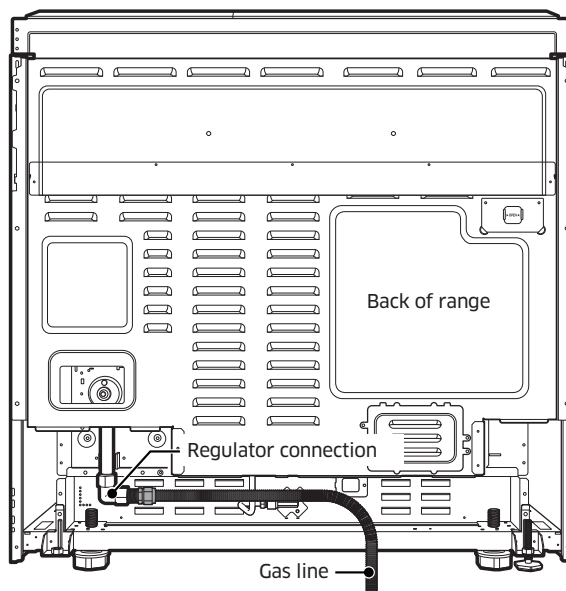
- Make sure the gas supply valve is off and that the power to the range is turned off at the circuit breaker or fuse box prior to connecting the gas line.
- Do not overtighten the gas connections and fittings.
- Do not use Teflon tape or plumber's putty on gas flex line connections.
- The maximum gas supply pressure to the regulator must never exceed 1/2 pound per square inch (psi) or 3.5 kPa.
- The range and shut-off valve must be disconnected from the gas supply piping during any pressure testing exceeding 1/2 psi (3.5 kPa).
- The range must be isolated from the gas supply piping by closing the shut-off valve during any pressure testing at or below 1/2 psi (3.5 kPa).
- Check all gas lines for leaks as instructed to avoid a fire or explosion hazard. Do not use a flame to check for leaks.

NOTE

The gas pressure regulator is pre-set at the factory for the type of gas intended for use with the appliance. To verify that the appliance is compatible with the type of gas available, check the range rating label (see page 6 for location). Consult your dealer if the range is not compatible with the type of gas supplied.

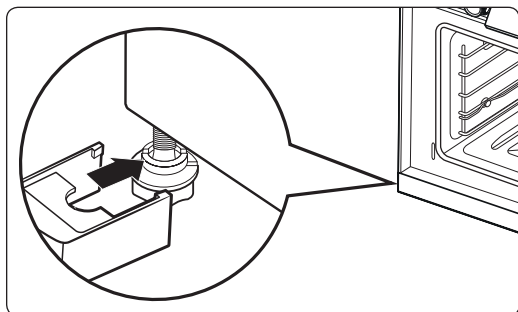
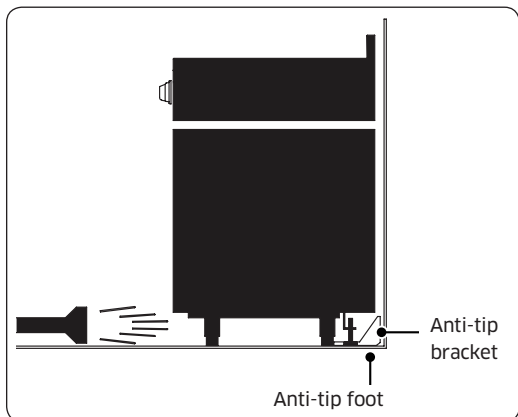
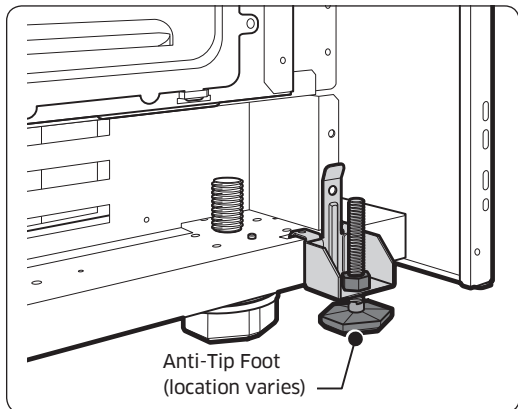
Before sliding the range into the cabinet:

1. Make sure the gas supply valve is in the off position and that power to the range is off.
2. Connect a flexible gas supply line to the gas shut-off valve previously installed on the stub out. The gas line needs to be long enough to allow the range to be pulled out for service without being disconnected.
3. Slide the gas line up through the access holes in the chassis and up to the regulator. Move the wires around inside the access holes to prevent them from catching on the gas line as you push it up.
4. Connect the gas line to the regulator.
5. Turn all cooktop control valves to the “OFF” position. Turn on the gas supply.
6. Check all lines and connections for leaks using a soap and water solution.
7. After verifying that there are no gas leaks, turn off the gas supply valve connected to the range to the “OFF” position.

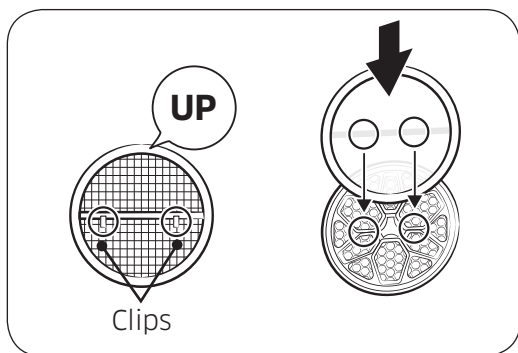


Installation instructions

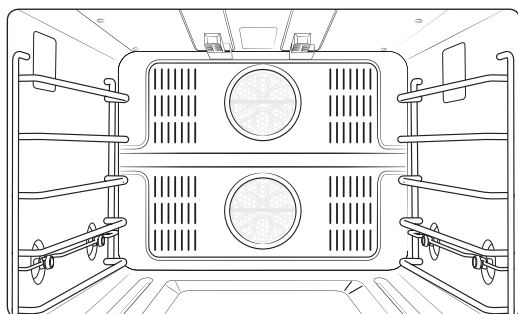
Final installation



1. Peel the protective coating off of the range, including the door.
2. Measure from the floor to the countertop. Adjust the leveling legs as required to position the trim around the cooktop even with or above the countertop.
3. To install the Anti-tip bracket, release the leveling leg using pipe wrench because Loctite is applied on Bolt for vibration unlocking.
Locate the anti-tip foot on the back of the range and lower (turn) it until it is 1/16" (2 mm) off the floor.
4. Carefully slide the range into position into the cutout. The anti-tip foot should engage the anti-tip bracket. Using a flashlight look underneath the range and verify that the bracket covers the anti-tip foot.
5. Use a level to make sure that the range does not tilt front to back or side to side. Re-adjust the legs to level and change the height if necessary.
6. After installing and leveling the range, install front leg covers (right and left).



7. Assemble the provided convection filters on the upper and lower fan holes. Determine the proper sides of the filter by locating the word 'UP' on the filter. Then, carefully hook the metal clips on the back of the filter over the metal bar across the fan hole.



Installation instructions

Re-installing the Oven Door(s)

⚠ WARNING

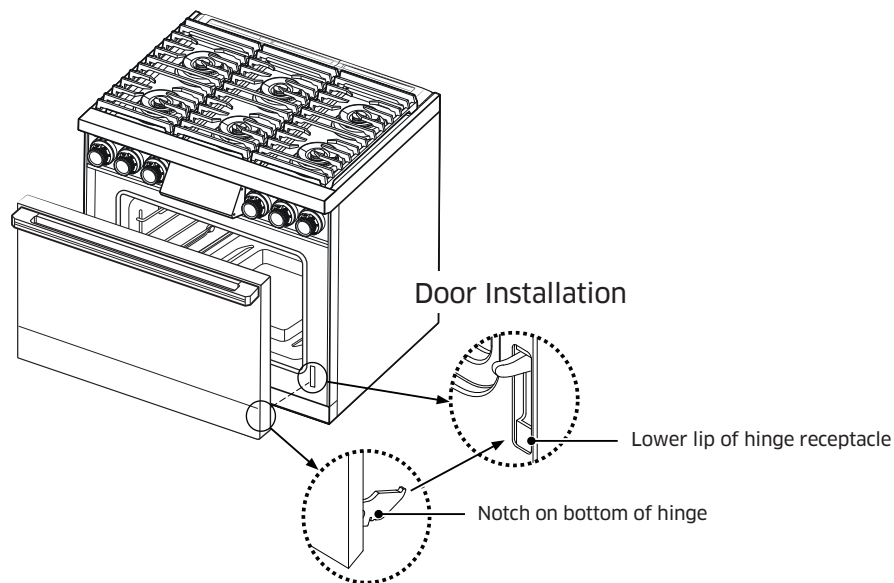
To avoid personal injury or damage to the door from it falling off its hinges:

- Make sure that the notch on the bottom of each hinge rests on top of the lower lip of each hinge receptacle before attempting to open the oven door.
 - Rotate the hinge locks toward the front of the range immediately after installation of the door.
1. Grasp the oven door on opposite sides and hold it at a 15° angle from the front of the oven. Slide the hinges into the hinge openings, resting the bottom of the hinge arms on the hinge receptacles. Continue to hold the door at a 15° angle with one hand while pushing in on each of the bottom corners of the door. Push until the notch on the bottom of each hinge slips over the lower lip of each hinge receptacle.

📄 NOTE

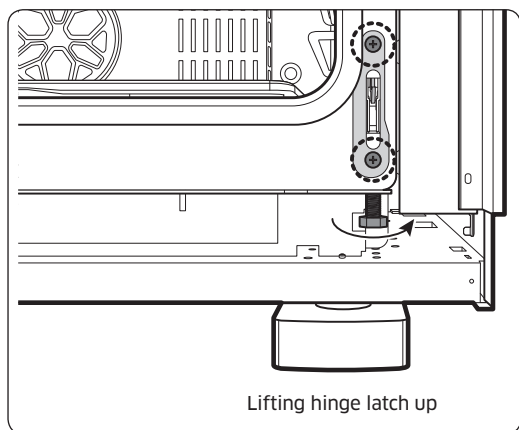
Connect the cables at the bottom-right corner of the door.

2. Lower the door to the fully opened position.
3. Rotate the two hinge locks toward the oven.
4. Slowly and carefully open and close the door completely to ensure that it is properly installed.
5. Remove any packaging from inside the oven(s).



Door adjustment

After re-installing the oven doors, make sure the oven doors are parallel and flush. There are 2 bolts around the Steam oven, under the each door hinge. The lower two bolts help adjust the door up and down.



Adjust the door up and down

1. Remove the door and remove 2 screws on door hinge latch.
2. Turn the bolt under each door hinge latch.
3. After adjusting the door hinge latch, fasten the 2 screws again.
4. Re install the door.

NOTE

Lifting the door hinge latch too much will make it hard to fasten the two screws. Make sure the door hinge latch is firmly fixed after adjustment.

Installation instructions

Installing the knobs for surface burners

⚠ WARNING

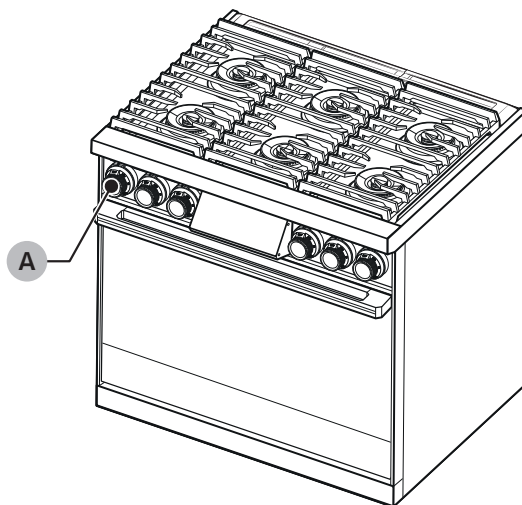
Installing the range knobs in the wrong position may result in damage to the griddle included with the range. The knobs for the center burners are marked with the maximum griddle settings.

📄 NOTE

When installing the knobs, align the “D” shaped opening on the back of the knob with the end of the valve shaft. Carefully push the knob on until it stops.

The knobs supplied with the range are all identical.

1. Put the knob on position A.

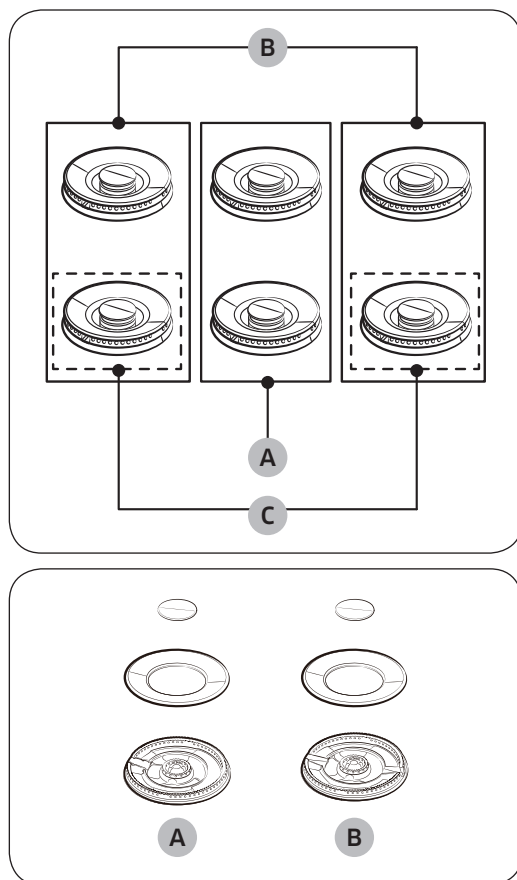


Cooktop assembly

Assembling the rangetop burners

CAUTION

- Do not operate the rangetop burners without all burner parts in place.
- Do not push in any rangetop controls while removing the burner; a slight electrical shock might result, perhaps causing you to knock over hot cookware.
- Do not risk electric shock by removing the top or touching the electrode of any burner while another burner is on.

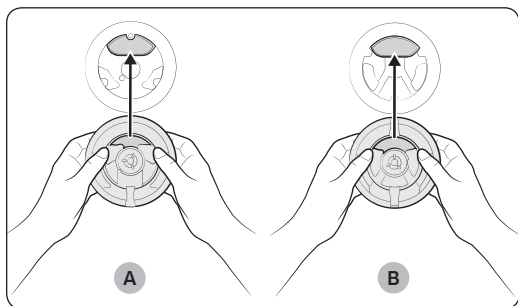


- A. Single
- B. Dual
- C. Brass

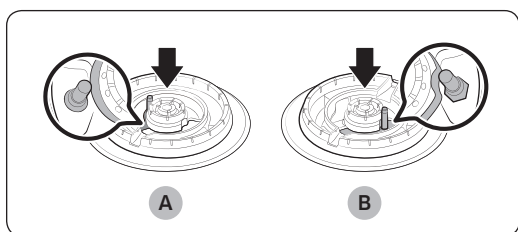
1. Place the burner heads on the burner bases as shown at left. (The electrodes fit in the slot in the bottom of the heads.) The heads should be flat and parallel to the rangetop.
2. Place the matching size caps on top of each rangetop burner head.

Installation instructions

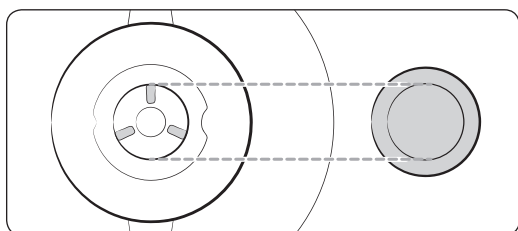
Burner head / caps



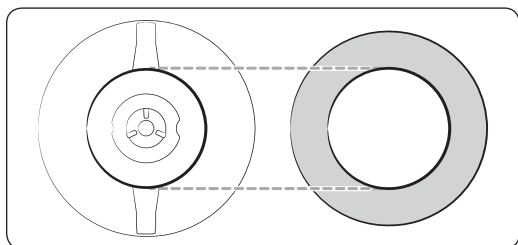
1. Orient the burner head so the opening for the electrode aligns with the electrode.



2. Install the burner head so the electrode passes through its opening in the head. Ensure the burner head lies flat on the stove top.



3. Match the burner caps to the burners by size, then install the caps on the heads.



- A. Single
- B. Dual

Installing the grates

NOTE

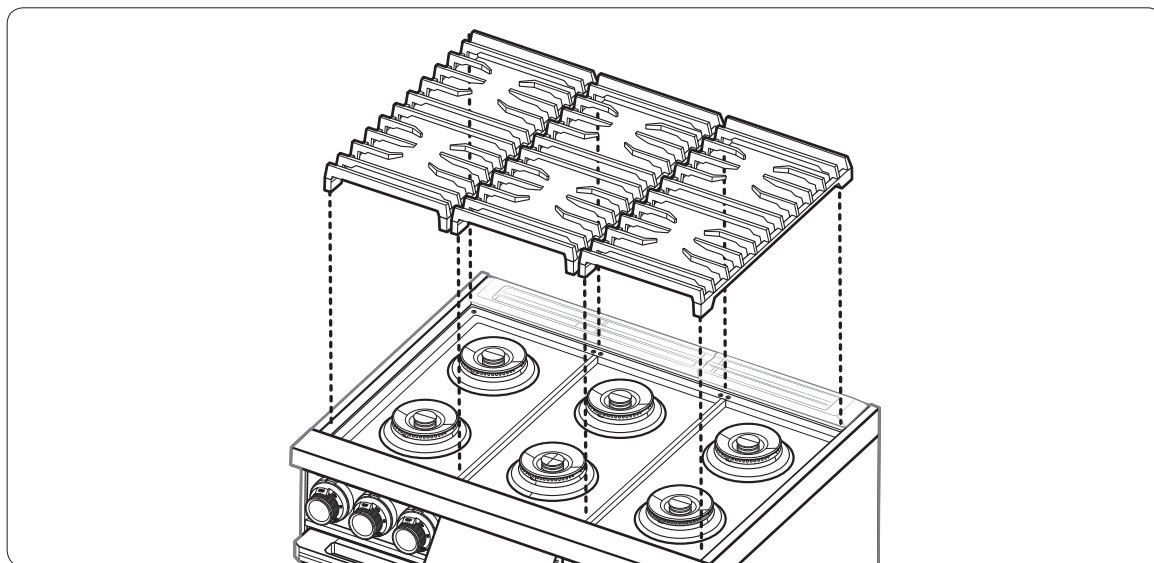
For best results and longest life, install the grates as instructed below. When installed properly, the openings in the grates are centered over the burners.

The grates occupy specific positions on the rangetop. For maximum stability and safe operation, these grates should only be used in their proper positions.

The back of the right grate is notched to help orient the grates correctly. (See the graphic below.)

To correctly position the grates:

1. Find the notch on the back of the right-hand grate, and orient the grate properly above the right-hand burners.
2. Gently lower the right-hand grate so its legs rest in the corresponding dimples on the cooktop.
3. Likewise place the remaining grates so their feet rest in the corresponding dimples.



NOTE

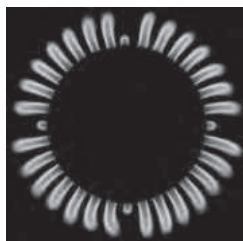
Grates are not interchangeable. Each grate has its position (left, center, or right) formed into the metal on the bottom of the grate.

Installation instructions

Verifying proper operation

Before operating the range, read the accompanying use and care manual completely. It contains Important safety, service and warranty information.

1. Before beginning the test procedure, ensure that all cooktop control valves are in the OFF position, and all burner rings, burner caps, and grates are properly positioned on the cooktop frame.
2. Turn on the gas supply at the shut-off valve. Check for gas leaks.
3. Turn on power to the range at the circuit breaker or fuse box.
4. Follow the prompts on the oven's display to set up the user preferences and wireless network settings.
5. Touch the MENU key on the display.
6. Touch the BAKE key on the display. The default bake temperature should appear on the display .
7. Touch Start. After 3 minutes, open the door to make sure the air inside the oven has begun to heat.
8. The display should show BAKE, and the preheating temperature.
9. Touch **OFF** to stop oven heating process.
10. Test one of the burners by pushing the knob in and turning it counterclockwise to the HIGH position. It may take up to four seconds for ignition to occur, at which time the ignitor will stop sparking. If ignition does not occur within four seconds, turn off the knob, wait for at least five minutes to allow any gas to dissipate, then repeat the ignition test. After ignition, rotate the control knob counterclockwise from HIGH to LOW to adjust the flame height progressively. When the burners are installed correctly and gas flows properly, the flame will be steady and quiet. It will also have a sharp, blue inner cone that will vary in length proportional to the burner size.
11. Turn the control knob to the OFF position.
12. Repeat the ignition test for all remaining burners.
13. Yellow tips on outer cones—Normal for LP gas operation.



Normal Flame

If the range does not operate properly, follow these troubleshooting steps:

1. Verify that power and gas are supplied to the range.
2. Check the electrical connections and gas supply to ensure that the installation has been completed correctly.
3. Repeat the above bake test or burner ignition test.
4. If the appliance still does not work, contact Dacor Customer Assurance: 833-353-5483. Do not attempt to repair the appliance yourself. Have the model and serial numbers available when you call. See page 6 for location.

Dacor is not responsible for the cost of correcting problems caused by a faulty installation.

Removal and Re-installation

Removing the Range for Service

1. Turn the gas supply valve to the off position.
2. Turn off power to the range at the circuit breaker panel or fuse box.
3. Pull the range out from the wall

Reinstalling the Range After Service

1. Push the range into operating position, making sure the anti-tip bracket is engaged (see page 40).
2. Turn on power to the range at the circuit breaker panel or fuse box.
3. Turn the gas supply valve to the on position.

Installation instructions

Installation checklist

WARNING

- To ensure a safe and proper installation, the following checklist should be completed by the installer.
- Proper installation, which the homeowner shall ensure, is vital to the safe operation of the range.
 - Has the plastic coating been peeled off the outside of the range? Have all packaging materials been removed from inside the oven?
 - Do the leveling legs contact the floor? Is the unit level? See page 40.
 - Is the range secured with the provided anti-tip bracket and foot according to these instructions? See page 32.
 - Is the range wired and grounded according to these instructions and all applicable electrical codes? See page 31.
 - Has the gas supply inlet pressure been measured to ensure that it does not exceed the maximums stated in these instructions. See page 29.
 - Is the range connected to the gas supply according to these instructions and all applicable codes? Did the installer check the gas supply for leaks? Has the gas regulator cover been re-installed? See page 29.
 - Is the oven door properly installed according to these instructions? See page 42.
 - Have the burner knobs been installed in the proper locations? See page 44.
 - Are the burners and grates properly installed according to these instructions? See pages 45-47.
 - Has proper operation been verified? Has the warranty been activated on-line or the warranty card been filled out completely and mailed?



Please visit www.Dacor.com to activate your warranty online.

WARRANTY INFORMATION



IMPORTANT:

Your warranty will not begin until you activate it online or return this form to Dacor. If you have purchased more than one Dacor product, please return all forms in one envelope, or activate the warranty for each product online.

Please rest assured that under no conditions will Dacor sell your name or any of the information on this form for mailing list purposes. We are very grateful that you have chosen Dacor products for your home and we do not consider the sale of such information to be a proper way of expressing our gratitude!

Owner's Name:

Street: _____
Last (Please Print or Type) First Middle

City: _____ State: _____ Zip: _____

Purchase Date: _____ Email: _____ Telephone: _____

Dealer: _____

City: _____ State: _____ Zip: _____

Your willingness to take a few seconds to fill in the section below will be sincerely appreciated. Thank you.

1. How were you first exposed to Dacor products? (Please check one only.)

- A. T.V. Cooking Show
- B. Magazine
- C. Appliance Dealer Showroom
- D. Kitchen Dealer Showroom
- E. Home Show
- F. Builder
- G. Architect/Designer
- H. Another Dacor Owner
- I. Model Home
- J. Other _____

2. Where did you buy your Dacor appliances?

- A. Appliance Dealer
- B. Kitchen Dealer
- C. Builder Supplier
- D. Builder
- E. Other _____

3. For what purpose was the product purchased?

- A. Replacement *only*
- B. Part of a Remodel
- C. New Home
- D. Other _____

4. What is your household income?

- A. Under \$75,000
- B. \$75,000 - \$100,000
- C. \$100,000 - \$150,000
- D. \$150,000 - \$200,000
- E. \$200,000 - \$250,000
- F. Over \$250,000

5. What are the brands of appliances that you have in your kitchen?

- A. Cooktop _____
- B. Oven _____
- C. Dishwasher _____
- D. Refrigerator _____

6. Would you buy or recommend another Dacor product?

- Yes
- No

Comments: _____

Thank you very much for your assistance. The information you have provided will be extremely valuable in helping us plan for the future and giving you the support you deserve.

Place Serial Number Label Here

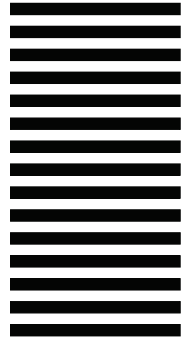
Website: www.Dacor.com
Phone: 1+833+353-5483

cut here

cut here



NO POSTAGE
NECESSARY
IF MAILED
IN THE
UNITED STATES



BUSINESS REPLY MAIL
FIRST-CLASS MAIL PERMIT NO 1600 CITY OF INDUSTRY CA

POSTAGE WILL BE PAID BY ADDRESSEE

DACOR
ATTN: WARRANTY PROCESSING DEPT
PO BOX 90070
CITY OF INDUSTRY, CA 91715-9907



fold here



DG68-01106C-02



Dacor • 14425 Clark Avenue, City of Industry, CA 91745 • Phone: (833) 353-5483 • Fax: (626) 403-3130 • www.dacor.com



dacor[®]

Instrucciones de instalación

Modernist Gas Pro Range

DOP36M96GL*

Contenido

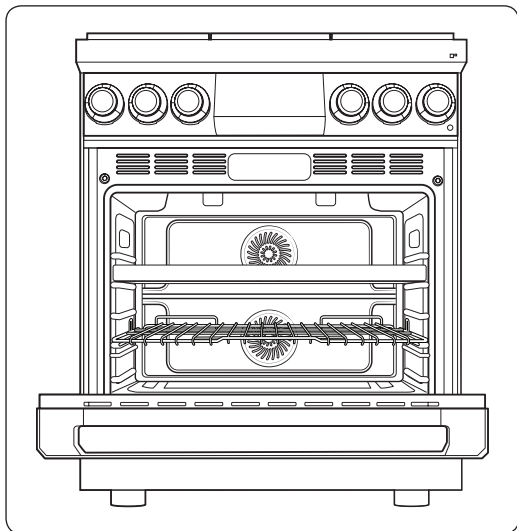
Antes de comenzar	4
Importante	4
Acerca de este manual	5
Nota importante para el instalador	5
Nota importante para el consumidor	5
Nota importante para el servicio técnico	5
Información del servicio al cliente	6
Instrucciones de seguridad importantes	7
Lea todas las instrucciones antes de usar este electrodoméstico	8
Símbolos usados en este manual	8
Especificaciones del producto	21
Contenido de la caja	21
Requisitos de instalación	23
Lista de verificación antes de la instalación	23
Requisitos generales	23
Requisitos de ubicación	27
Requisitos para el gas	29
Requisitos especiales para el gas (modelos a gas vendidos en Massachusetts)	30
Requisitos eléctricos	31
Instrucciones de instalación	32
Preparación para la instalación	32
Instalación de las perillas de los quemadores	44
Ensamblaje de la placa de cocción	45
Verificar el funcionamiento correcto	48
Retiro y re instalación	49
Lista de verificación de instalación	50

ADVERTENCIA: No seguir las instrucciones de este manual con exactitud puede provocar un incendio o una explosión causante de daños a la propiedad, lesiones personales o la muerte.

- **NO** guarde ni utilice gasolina u otros productos inflamables cerca de este artefacto.
- **SI HAY OLOR A GAS:**
 - **NO** encienda ningún artefacto.
 - **NO** toque ningún interruptor eléctrico.
 - **NO** utilice ningún teléfono dentro del edificio.
 - Llame inmediatamente al proveedor de gas desde el teléfono de un vecino y siga las instrucciones del proveedor. (Si no puede comunicarse con el proveedor de gas, llame al departamento de bomberos.)
- La instalación y el servicio técnico deben ser realizados por un instalador calificado, agencias de servicio técnico o el proveedor de gas.

Antes de comenzar

Importante



- El diseño y/o los accesorios generales pueden variar dependiendo del modelo.

Instalador

- A fin de promover la seguridad y minimizar los problemas, lea este manual detenidamente antes de iniciar la instalación. Deje este manual al usuario final.
- Anote el número de modelo y de serie del electrodoméstico en este manual como referencia para el servicio y el mantenimiento.

Usuario

- Conserve este manual para consultas personales y profesionales futuras.



Acerca de este manual

LEA ESTAS INSTRUCCIONES EN SU TOTALIDAD Y CUIDADOSAMENTE.

Nota importante para el instalador

- Lea todas las instrucciones que contiene este manual antes de instalar la estufa.
- Retire todos los materiales de empaque de los compartimientos de la placa de cocción antes de conectar la alimentación eléctrica y el suministro de gas a la estufa.
- Cumpla todos los códigos y ordenanzas exigidos por las autoridades pertinentes.
- Asegúrese de dejar estas instrucciones con el usuario final.
- La instalación de este artefacto requiere conocimientos mecánicos básicos.
- La instalación adecuada es responsabilidad del instalador.
- La falla del producto debido a una instalación inadecuada no está cubierta por la Garantía.

Nota importante para el consumidor

Conserve estas instrucciones con el manual del usuario para consultas futuras.

- Como con cualquier electrodoméstico que genera calor, existen ciertas precauciones de seguridad que se deben cumplir.
- Asegúrese de que la estufa sea correctamente instalada y conectada a tierra por un instalador o técnico de servicio calificado.
- Asegúrese de que los revestimientos de las paredes alrededor de la estufa pueden soportar el calor que esta genera.
- Los gabinetes de almacenamiento deben colocarse a un mínimo de 30 pulgadas (76.2 cm) por encima de los quemadores de la placa de cocción.

Nota importante para el servicio técnico

El diagrama eléctrico se encuentra en un sobre fijado a la parte trasera de la estufa.



Información del servicio al cliente

Esta sección debe aparecer de la siguiente manera:

Para problemas de instalación, comuníquese con su distribuidor de Dacor o con el departamento de servicio al cliente de Dacor. Tenga a disposición los números de modelo y de serie del artefacto. (Consulte la gráfica a continuación para conocer la ubicación).

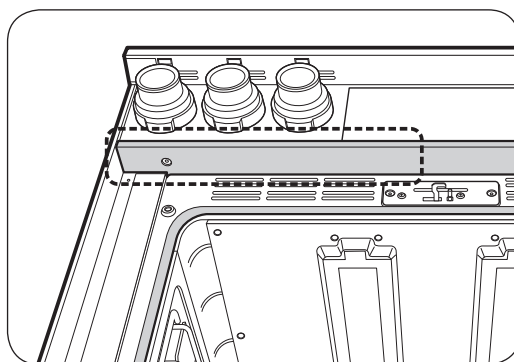
Centro de servicio al cliente de Dacor

Teléfono: 833-35-ELITE (833-353-5483) EE. UU., Canadá

Lunes a viernes de 5:00 a.m. a 5:00 p.m. Hora del Pacífico

Información del producto: knowledgebase.dacor.com

Sitio web: www.dacor.com



Ubicación del modelo y número de serie

Instrucciones de seguridad importantes

DISPOSITIVO ANTI INCLINACIÓN



⚠ ADVERTENCIA

TODAS LAS ESTUFAS PUEDEN INCLINARSE, LO QUE PUEDE TENER COMO RESULTADO LESIONES PERSONALES.

LAS ESTUFAS INCLINADAS PUEDEN CAUSAR QUEMADURAS POR DERRAMES, LESIONES PERSONALES O LA MUERTE.

INSTALE Y VERIFIQUE EL SOPORTE ANTI INCLINACIÓN SEGÚN LAS INSTRUCCIONES Y LA PLANTILLA PROVISTA CON EL SOPORTE.

- Para evitar que se incline la estufa, fije al piso un dispositivo anti inclinación aprobado. (Consulte Instalación del dispositivo anti inclinación en las Instrucciones de instalación.) Incline cuidadosamente la estufa hacia adelante para verificar que la instalación se haya realizado correctamente. El dispositivo anti inclinación debe conectarse y evitar que la estufa se incline.
- Si por alguna razón se separa la estufa de la pared, asegúrese de que vuelva a conectarse el dispositivo anti inclinación luego de volver a colocar la estufa en su lugar.
- Siga las instrucciones de instalación que se encuentran en el Manual de instalación. No seguir estas instrucciones puede ocasionar muerte, lesiones personales graves o daños a la propiedad.
- **NO se pare / siente / apoye** sobre la puerta ni el cajón para evitar la inclinación accidental de la estufa.

Instrucciones de seguridad importantes

LEA TODAS LAS INSTRUCCIONES ANTES DE USAR ESTE ELECTRODOMÉSTICO

- Los equipos eléctricos y a gas con piezas móviles pueden ser peligrosos. Las instrucciones de seguridad incluidas en este manual tienen por objeto minimizar el riesgo de daños a la propiedad, lesiones y la muerte. Asegúrese de leerlas.
- Mantenga este manual en un lugar accesible para poder consultarlo cuando así lo necesite.

Símbolos usados en este manual

ADVERTENCIA

Prácticas peligrosas o inseguras que pueden provocar lesiones personales graves o la muerte.

PRECAUCIÓN

Prácticas peligrosas o inseguras que pueden provocar descargas eléctricas, lesiones personales o daños a la propiedad.

NOTA

Instrucciones y sugerencias útiles.

Estos iconos y símbolos de advertencia tienen como función evitar daños a la propiedad y lesiones personales. Cúmplalos explícitamente.

California Proposición 65 Advertencia

ADVERTENCIA

Cáncer y Daño Reproductivo - www.P65Warnings.ca.gov

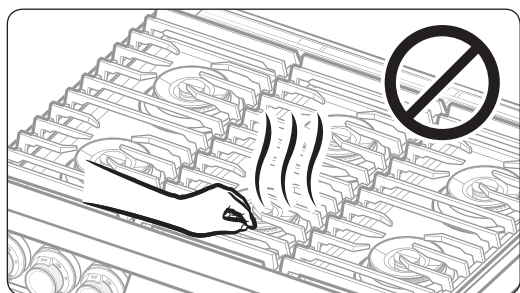
Mancomunidad de Massachusetts

Este producto debe ser instalado por un plomero con licencia o un gasista matriculado o con licencia del Estado de Massachusetts. Cuando se utilicen válvulas de bola para el cierre del gas, se debe usar una manija en forma de "T". No deben conectarse varios conductos flexibles de gas en serie.

Seguridad general

ADVERTENCIA

Para reducir el riesgo de incendio, descarga eléctrica, lesiones o muerte, respete estas precauciones:

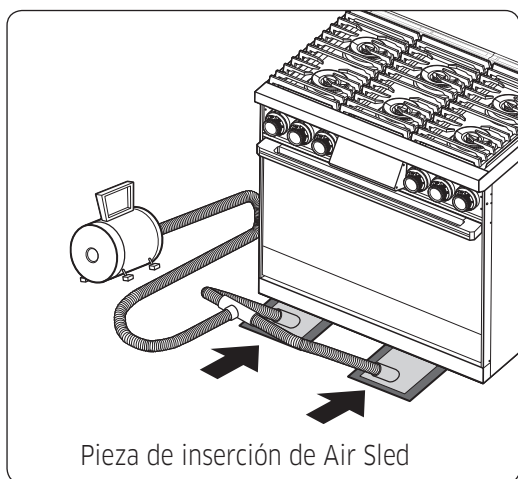


- **No toque** ninguna superficie, componente ni mecanismo del producto durante o inmediatamente después de cocinar.
- **Aprenda** dónde está la válvula de gas de la estufa y cómo abrirla/cerrarla.

- **Asegúrese de que** el dispositivo anti inclinación esté correctamente instalado. (Consulte las instrucciones de instalación para obtener más detalles.)
- **No deje** que los niños se sienten ni se paren en el producto ni que jueguen con ninguno de sus componentes. Los niños no deben quedar sin vigilancia en el lugar donde se utiliza el producto.
- **Quite** todos los materiales de empaque antes de operar el producto para evitar que se incendien. Mantenga el material de empaque alejado de los niños. Deseche adecuadamente los materiales de empaque después de desempacar el producto.
- **No guarde** objetos que resulten de interés para los niños sobre o cerca del producto.
- **No accione** el producto si estuviera dañado, funcionara mal o le faltaran piezas.
- **No utilice** el producto como calefactor del ambiente. Ese producto se debe usar exclusivamente para cocinar.
- **No utilice** limpiadores para horno ni revestimientos de horno dentro o cerca de ninguna parte del horno.
- **Utilice** únicamente agarradores aislantes secos.

Instrucciones de seguridad importantes

- No utilice el producto para calentar recipientes cerrados con alimentos.
- No golpee el vidrio del horno.
- Al desechar la estufa, corte el cable de alimentación y quite la puerta.
- Desenchufe el producto antes de realizar un servicio/mantenimiento.
- Asegúrese de que todas las carnes de res y de ave se cocinen bien. La carne de res debe cocinarse siempre a una temperatura interna de 160 °F (71 °C). La carne de ave debe cocinarse siempre a una temperatura interna de 180 °F (82 °C).
- Las campanas de cortina de aire u otras campanas de estufa superiores, que funcionan dirigiendo el flujo de aire hacia la estufa, no deben utilizarse junto con una estufa de gas, a menos que la campana y la estufa hayan sido diseñadas y testeadas de acuerdo con la norma para estufas domésticas a gas, ANSI Z21.1 • CSA1.1, y que figuren en la lista de un laboratorio de análisis independiente como aptas para uso combinado.

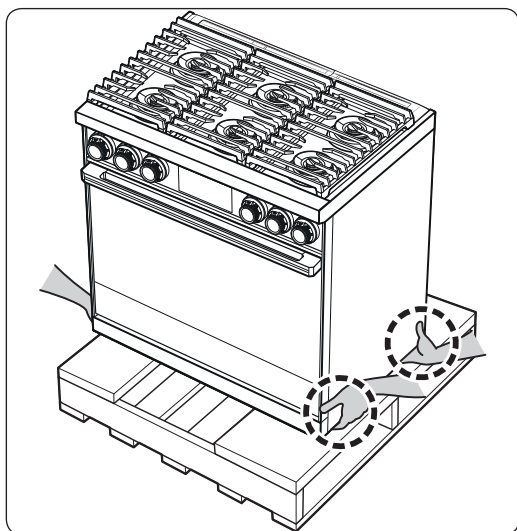
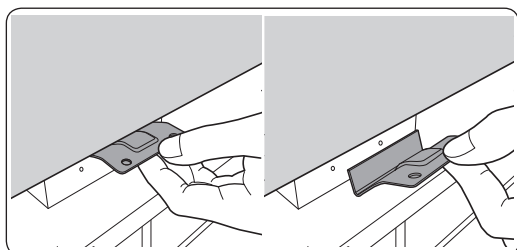
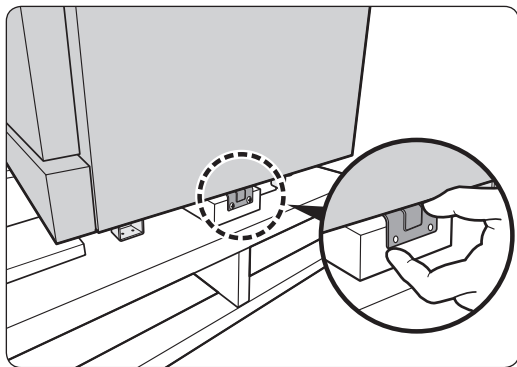


- Debido al peso, se deben utilizar transportadores de equipos pesados como Air Sled para trasladar esta unidad. El peso debe apoyarse uniformemente en toda la parte inferior. Luego de transportar la estufa al lugar deseado, puede nivelarla ajustando las patas con una llave mientras la estufa está apoyada en el Air Sled.

⚠ ADVERTENCIA

NUNCA utilice este artefacto como calefactor para calentar el ambiente. Hacerlo podría tener como resultado el envenenamiento con monóxido de carbono y el recalentamiento del horno.

Para retirar en forma segura del pallet



1. Retire los tornillos del soporte inferior a ambos lados de la unidad.
2. Presione el soporte de cada lado para retirarlo.
3. Dos personas deben sostener ambos lados inferiores de la unidad y levantarla para retirarla del pallet. Tenga cuidado de no sostenerla de la manija de la puerta.

Instrucciones de seguridad importantes

Seguridad contra incendios

⚠ ADVERTENCIA

Para reducir el riesgo de incendio, descarga eléctrica, lesiones o muerte, respete estas precauciones:



- **No almacene/coloque/utilice** materiales combustibles (por ej.: papel, plástico, agarradores aislantes, ropa de cama, gasolina, alcohol) cerca del producto.
- **No lleve** prendas amplias o colgantes mientras utiliza el producto.

- Para evitar la acumulación de grasa, **limpie regularmente** las ventilaciones.
- **No permita** que agarradores aislantes u otros materiales inflamables entren en contacto con el elemento calentador. No utilice una toalla ni otra tela voluminosa como agarrador aislante.
- **No intente apagar** un incendio generado por grasa con agua. Por el contrario, apague la fuente de calor y extinga el fuego con una tapa que ajuste bien o utilice un extinguidor de incendios de polvo químico seco o de espuma para usos diversos.
- Si la grasa llegara a encenderse dentro del horno, **apague el horno** presionando el botón **APAGADO**. Mantenga cerrada la puerta del horno hasta que se extinga el fuego. De ser necesario, utilice un **extinguidor de incendios** de polvo químico seco o de espuma para usos diversos.
- **No caliente** recipientes cerrados con alimentos. La acumulación de presión puede causar que el recipiente explote y provocar lesiones.

Seguridad del gas

ADVERTENCIA

Para reducir el riesgo de incendio, descarga eléctrica, lesiones o muerte, respete estas precauciones:

Si hay olor a gas:

- Cierre la válvula y no use el producto.
- No encienda cerillos, velas ni cigarrillos.
- No encienda ningún artefacto eléctrico o a gas.
- No toque ningún interruptor eléctrico ni enchufe el cable de alimentación.
- No utilice ningún teléfono dentro del edificio.
- Evacue a todas las personas que se encuentren en el edificio.
- Llame inmediatamente al proveedor de gas desde el teléfono de un vecino. Siga las instrucciones del proveedor de gas.
- Si no puede comunicarse con el proveedor de gas, llame al departamento de bomberos.

Verificación de pérdidas de gas

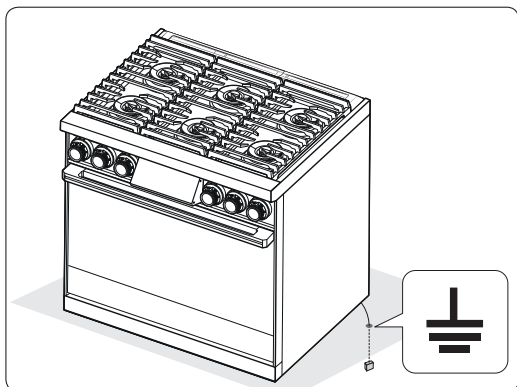
La prueba de pérdidas del artefacto debe realizarse de acuerdo con las instrucciones del fabricante. No utilice una llama para verificar si hay pérdidas de gas. Utilice un cepillo para esparcir una solución de agua jabonosa alrededor del área que está verificando. Si hubiera una pérdida de gas, aparecerán pequeñas burbujas en la solución. Si no está seguro, solicite ayuda profesional.

Instrucciones de seguridad importantes

Seguridad de la electricidad y la conexión a tierra

⚠ ADVERTENCIA

Para reducir el riesgo de incendio, descarga eléctrica, lesiones o muerte, respete estas precauciones:



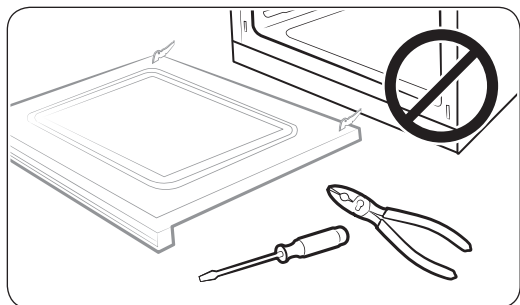
- Enchúfelo a un tomacorriente correctamente polarizado y conectado a tierra.
- **No retire** la clavija de conexión a tierra.
- **No utilice** un adaptador ni un cable prolongador.
- **No utilice** un enchufe o un cable de alimentación dañado ni un tomacorriente flojo.
- **No modifique** el enchufe, el cable de alimentación ni el tomacorriente.

- **No coloque** un fusible en el circuito neutral o de conexión a tierra.
- Utilice un circuito eléctrico exclusivo de CA, 120 voltios, 60 Hz, 20 A y equipado con fusibles para esta estufa. Se recomienda un fusible de retardo o un disyuntor correctamente polarizado. No conecte más de un artefacto a este circuito.
- **No conecte** el cable a tierra a caños de plomería, tuberías de gas o tuberías de agua caliente que sean de plástico.
- Este producto debe conectarse a tierra. Si la estufa funciona mal, la conexión a tierra reduce el riesgo de descarga eléctrica al brindar una vía segura para la corriente. El cable de alimentación de esta estufa cuenta con un enchufe con conexión a tierra que debe conectarse firmemente en un tomacorriente correctamente instalado que disponga de conexión a tierra de acuerdo con las ordenanzas locales. Si no está seguro de si el tomacorriente está conectado correctamente a tierra, debe verificarlo un electricista matriculado.
- La estufa está equipada con un enchufe de 3 clavijas con conexión a tierra. Este cable debe enchufarse a un tomacorriente correctamente polarizado de 3 clavijas con conexión a tierra, que cumpla con todos los códigos y las ordenanzas locales. Si los códigos permiten el uso de un conductor a tierra independiente, recomendamos que un electricista calificado determine la vía adecuada para este conductor a tierra.
- La alimentación eléctrica para la estufa debe realizarse en conformidad con los códigos locales o, en su ausencia, con la versión más reciente del Código eléctrico nacional/NFPA Nro. 70 - Última revisión (para EE.UU.) o con el Código eléctrico de Canadá CSA C22.1 o sus revisiones más actuales.
- El dueño del producto debe asegurarse de que exista una provisión de electricidad adecuada para dicho producto.

Seguridad de la instalación

⚠ ADVERTENCIA

Para reducir el riesgo de incendio, descarga eléctrica, lesiones o muerte, respete estas precauciones:



- Un instalador calificado debe realizar la instalación y la conexión a tierra del producto, de acuerdo con las instrucciones de instalación. Los ajustes y servicios técnicos solo deben ser realizados por instaladores de estufas a gas o técnicos de servicio calificados.

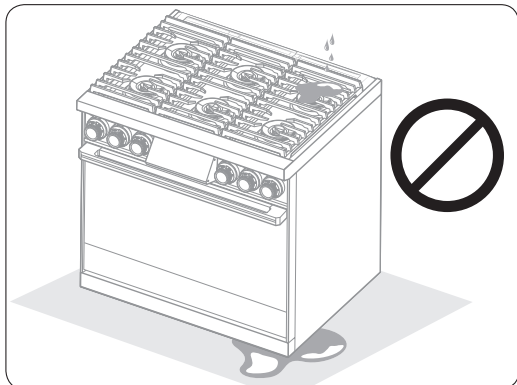
- **No intente** realizar el mantenimiento, modificar ni reemplazar el producto o cualquiera de sus piezas a menos que se recomiende específicamente en este manual. Todas las demás tareas de servicio técnico deben ser encomendadas a un técnico calificado.
- Utilice únicamente conectores flexibles nuevos al instalar el producto.
- **Asegúrese** de que el dispositivo anti inclinación esté correctamente instalado. (Consulte las instrucciones de instalación para obtener más detalles.)
- Debido al tamaño y al peso de la estufa, se necesitan **dos personas o más** para moverla.
- **Retire** toda la cinta y el material de empaque.
- Después de desempacar el producto, retire todos los accesorios que se encuentren dentro o cerca del producto. (Manipule cuidadosamente las rejillas pesadas).
- **Asegúrese** de que no se hayan aflojado piezas durante el transporte.
- **Asegúrese** de que un técnico de servicio o instalador calificado instale y ajuste correctamente el producto según el tipo de gas (natural o LP) que se utilizará. Para utilizar gas LP en la estufa, el instalador debe reemplazar todos los orificios de los quemadores con el juego de orificios para LP y también debe invertir el adaptador GPR. Dichos ajustes deben estar a cargo de un técnico calificado de acuerdo con las instrucciones del fabricante y la normativa local. La agencia calificada que realice este trabajo asume toda la responsabilidad de la conversión de gas.
- La instalación de esta estufa debe cumplir con los códigos locales o, a falta de ellos, con la versión más reciente del Código nacional de gas combustible, ANSI Z223.1/NFPA.54. En Canadá, la instalación debe cumplir con el Código de instalación para gas natural y propano CAN/CGA-B149.1 actual o con el Código de instalación para propano CAN/CGA-B149.2 actual y con los códigos locales, cuando corresponda. El diseño de esta estufa ha sido certificado por UL según la versión más reciente de ANSI Z21.1/CSA 1.1.

Instrucciones de seguridad importantes

Seguridad de la ubicación

⚠ ADVERTENCIA

Para reducir el riesgo de incendio, descarga eléctrica, lesiones o muerte, respete estas precauciones:



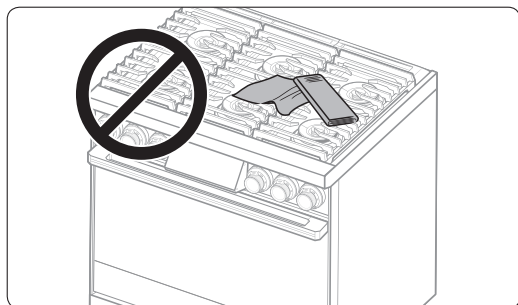
- Esta estufa ha sido diseñada para uso doméstico en interiores solamente. **No instale** la estufa en exteriores ni en lugares expuestos a condiciones climáticas duras, agua o corrientes fuertes de aire o viento.

- Seleccione un piso nivelado y sólido que pueda soportar el peso de la estufa. Los pisos sintéticos, como el linóleo, deben soportar temperaturas de 180 °F (82 °C) sin encogerse, deformarse ni decolorarse. **No instale** la estufa directamente sobre alfombras interiores para cocinas a menos que se coloque madera contrachapada de ¼ pulgada o un aislante semejante entre la estufa y la alfombra.
- La estufa debe instalarse en un lugar con un fácil acceso a un tomacorriente de 3 clavijas con conexión a tierra.
- No cuelgue persianas de papel en una ventana próxima a la estufa; no cuelgue cortinas largas que puedan volar sobre la estufa.
- Para que la estufa pueda ventilarse correctamente, asegúrese de que las ventilaciones no estén bloqueadas ni cubiertas, y de que haya suficiente espacio libre arriba, atrás, a los lados y por debajo de la estufa. Las ventilaciones permiten la salida de aire necesaria para que la estufa funcione adecuadamente con la combustión correcta y se obtengan buenos resultados de cocción.
- **Asegúrese** de que los revestimientos de las paredes que rodean a la estufa puedan soportar un calor de hasta 194 °F (90 °C), generado por la estufa.
- Se debe evitar colocar gabinetes de almacenamiento arriba de la superficie de la estufa. Si resulta necesario colocar gabinetes de almacenamiento arriba de la estufa: deje una separación mínima de 30 pulgadas (76.2 cm) entre la superficie de cocción y la parte inferior de los gabinetes; o instale una campana para estufas que sobresalga horizontalmente como mínimo 5 pulgadas (12.7 cm) con respecto al extremo inferior de los gabinetes.

Seguridad de la placa de cocción

⚠ ADVERTENCIA

Para reducir el riesgo de incendio, descarga eléctrica, lesiones o muerte, respete estas precauciones:



- **Asegúrese** de que todos los quemadores estén apagados cuando no estén en uso.
 - **No utilice** papel de aluminio para cubrir las rejillas ni ninguna parte de la placa de cocción.
 - **No deje** los quemadores sin vigilancia en configuraciones de calor medio o alto.
 - Antes de encender los quemadores, **asegúrese de que** todas las tapas estén correctamente instaladas en su lugar y que todos los quemadores estén nivelados.
-
- Siempre use la posición ENCENDER al encender el quemador y asegúrese de que encienda. Si falla el encendido, gire la perilla en APAGADO y espere unos minutos hasta que se disipe el gas.
 - Cuando coloque un quemador a fuego lento, **no gire** la perilla rápidamente. Asegúrese de que la llama permanezca encendida.
 - **No coloque** objetos sobre la placa de cocción que no sean recipientes y utensilios de cocina.
 - Esta placa de cocción está diseñada para cocinar con un wok o con el accesorio del aro para wok. Si se flambean alimentos, solo debe hacerse debajo de una campana de ventilación encendida.
 - Antes de retirar o cambiar utensilios de cocina, apague los quemadores.
 - Retire los alimentos y los utensilios de inmediato después de la cocción.
 - Asegúrese de que todos los quemadores de la placa de cocción estén apagados y todas las superficies se hayan enfriado completamente antes de retirar las rejillas y desensamblar los quemadores.
 - Después de limpiar el cabezal del quemador, **asegúrese** de que esté completamente seco antes de volver a ensamblarlo.
 - **Asegúrese** de que la marca de encendido en el distribuidor del quemador doble esté colocada junto al electrodo al ensamblarlo.
 - Para evitar el envenenamiento por monóxido de carbono, no vierta agua ni otros líquidos sobre la placa de cocción durante la limpieza.
 - Seleccione recipientes diseñados para placa de cocción y que sean lo suficientemente grandes como para cubrir las rejillas. La llama de los quemadores no deben extenderse más allá de la base de los recipientes.
 - Para evitar que los recipientes se decoloren, se deformen o que se produzca un envenenamiento por monóxido de carbono, **no utilice** recipientes que superen en exceso el tamaño de la rejilla.



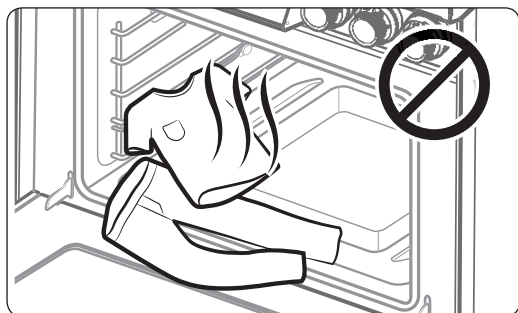
Instrucciones de seguridad importantes

- Oriente siempre las manijas de los utensilios hacia un lado o hacia atrás de la placa de cocción, y no sobre quemadores activos o el borde delantero de la placa.
- Manténgase a una distancia prudencial cuando esté friendo para no quemarse con las salpicaduras.
- Para freír, caliente el aceite despacio y supervise la operación. Cuando fría alimentos a alta temperatura, supervise el aceite durante todo el proceso de cocción. Si para freír utiliza grasa y aceite, debe mezclarlos antes de calentarlos.
- Utilice un termómetro para freidoras de inmersión cuando sea posible para evitar que el aceite se caliente más allá del punto de generación de humo. (Debe conocer el punto de generación de humo del aceite que está usando.)
- Utilice una cantidad mínima de aceite para cualquier tipo de fritura. No fría alimentos congelados, muy fríos o con restos de hielo apelmazado.
- Deje siempre que el aceite o la grasa se enfríe a temperatura ambiente antes de mover el utensilio de cocina.
- Para evitar una ebullición retardada, deje reposar el aceite o la grasa durante por lo menos 20 segundos después de apagar el quemador para que la temperatura se estabilice. En caso de escaldaduras, siga estas instrucciones de primeros auxilios:
 1. Sumerja el área escaldada en agua fría o tibia durante al menos 10 minutos.
 2. No se aplique cremas, aceites ni lociones.
 3. Cubra el área con un vendaje limpio y seco.

Seguridad del horno

⚠ ADVERTENCIA

Para reducir el riesgo de incendio, descarga eléctrica, lesiones o muerte, respete estas precauciones:



- **No utilice** el horno para otros fines que no sean la cocción, por ejemplo, para secar ropa o como lugar de almacenamiento. Utilice el horno solamente para cocinar.

- Asegúrese de que las parrillas del horno estén colocadas al mismo nivel en cada lado.
- No dañe, mueva ni limpie la junta selladora de la puerta.
- No rocíe agua en el vidrio del horno mientras el horno esté encendido o apenas después de haberlo apagado.



-
- No utilice papel o cubiertas de aluminio en ninguna parte del horno. No utilice papel de aluminio ni materiales similares para cubrir orificios o pasajes de la parte inferior del horno ni para cubrir una parrilla del horno.
 - Guarde cierta distancia respecto del horno al abrir la puerta de horno.
 - Mantenga el horno libre acumulaciones de grasa.
 - Al volver a colocar las parrillas del horno, asegúrese de que el horno esté completamente frío.
 - No deje elementos plásticos dentro del horno.
 - Para evitar dañar las perillas de control de los quemadores o del horno, siempre hornee y/o ase a la parrilla los alimentos con la puerta del horno cerrada.
 - No ase carne demasiado cerca del elemento de asado. Recorte el exceso de grasa de la carne antes de la cocción.
 - Al utilizar bolsas para cocinar o asar en el horno, siga las instrucciones del fabricante.
 - No utilice limpiadores abrasivos ni espátulas de metal filosas para limpiar el vidrio de la puerta del horno. Podrían rayar la superficie, lo cual puede provocar que el vidrio se haga añicos.

PRECAUCIÓN

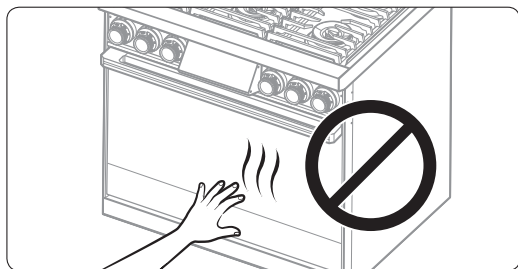
- No intente hacer funcionar el horno durante un corte de energía eléctrica.
- Si se produce un corte de energía, siempre apague el horno. Si no se apaga el horno y se restablece el suministro de energía, el horno puede empezar a funcionar nuevamente. Los alimentos que quedaron desatendidos podrían arder en llamas o arruinarse.

Instrucciones de seguridad importantes

Seguridad durante la auto-limpieza del horno

⚠ ADVERTENCIA

Para reducir el riesgo de incendio, descarga eléctrica, lesiones o muerte, respete estas precauciones:

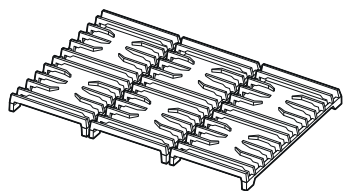


- La función de auto-limpieza opera el horno a temperaturas lo suficientemente altas como para eliminar por incineración los restos de alimentos en el horno. La estufa está extremadamente caliente durante el ciclo de auto-limpieza. **No toque** ninguna superficie de la estufa durante el ciclo de auto-limpieza.

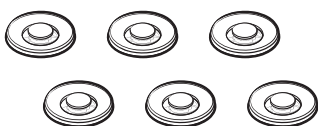
- Mantenga alejados a los niños durante el ciclo de auto-limpieza.
- Antes de iniciar un ciclo de auto-limpieza, **retire** todas las parrillas, los recipientes y los utensilios del horno. Solo pueden dejarse en el horno parrillas recubiertas de porcelana.
- Antes de hacer funcionar el ciclo de autolimpieza, limpie la grasa y los restos de comida del horno.
- Unas cantidades excesivas de grasa podrían encenderse y generar daños por el humo en su hogar.
- Al abrir la puerta después de un ciclo de auto-limpieza, aléjese del horno.
- Si el ciclo de autolimpieza funciona mal, apague el horno, cierre el interruptor del suministro eléctrico y comuníquese con un técnico de servicio calificado.
- Nunca tenga aves mascota en la cocina. Las aves son extremadamente sensibles a las emanaciones gaseosas que se producen durante el ciclo de autolimpieza del horno. Tales emanaciones pueden resultar dañinas o mortales para las aves. Lleve las aves a una habitación bien ventilada.
- No use ningún producto limpiador de hornos ni revestimiento protector dentro del horno ni sobre sus superficies exteriores.
- Retire los estantes niquelados del horno antes de comenzar el ciclo de auto-limpieza, de lo contrario pueden sufrir alteraciones de color.
- Los derrames excesivos deben eliminarse antes de ejecutar el ciclo de autolimpieza.

Especificaciones del producto

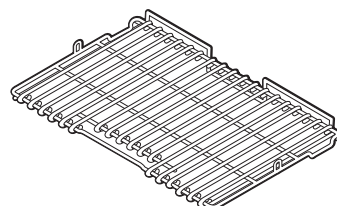
Contenido de la caja



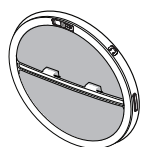
Lados de la rejilla I&D (2)
Centro de la rejilla (1)



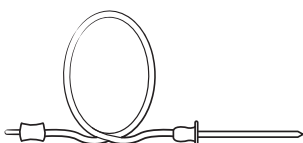
Cabezales (6) y tapas (6) de los quemadores



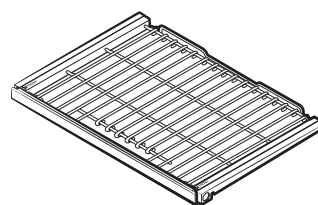
Parrilla plana (1)



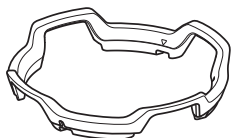
Filtro de convección (2)



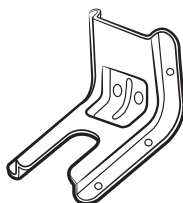
Temperatura Sonda (1)



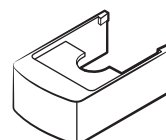
Rejillas deslizantes (2)



Aro para wok (1)



Ménsula anti inclinación (1)



Cubiertas de las patas delanteras
(2)

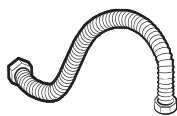
La estufa está equipada con dos tipos de tapas de quemadores (bronce y porcelana) para adaptarse a las preferencias del usuario.

Especificaciones del producto

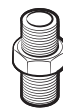
Piezas necesarias



Válvula de cierre en la tubería de gas



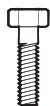
Conector flexible de metal del artefacto de ½ pulgada (diámetro interior) x 5 pies



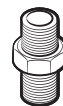
Adaptador de unión cónica de ¾ pulgada (NPT) x ½ pulgada (diámetro interior)



Codo de 135 grados (opcional)



Tirafondo o perno de expansión con camisa de ½ pulgada (diámetro exterior)



Adaptador de unión cónica de ½ pulgada (NPT) x ½ pulgada (diámetro interior)

Herramientas necesarias



Destornillador de punta plana



Destornillador Phillips



Llave de boca fija o ajustable



Llave Stillson (2)



Llave de tuercas



Lápiz y regla



Nivel



Compuesto de unión de tuberías



Navaja multiuso



Solución de agua jabonosa

Requisitos de instalación

Lista de verificación antes de la instalación

1. Antes de preparar la abertura en la mesada o en el gabinete, verifique que no haya conflicto entre la estufa y cualquier parte del gabinete que se encuentra debajo.
2. Retire los materiales de empaque, las cajas de las rejillas, el regulador con información impresa y el paquete de información impresa de la estufa, verifique que todas las piezas estén presentes antes de comenzar la instalación.

Requisitos generales

Distancias, espacios libres y dimensiones

- Para la instalación de artefactos sobre la estufa, siga todos los códigos y ordenanzas locales.
- **ANTES DE COMENZAR** a instalar este artefacto lea la siguiente información, dimensiones y espacios libres. No ubique la estufa en un lugar donde pueda recibir corrientes fuertes de aire. Deje espacios libres adecuados entre la estufa y las superficies combustibles adyacentes. Deben cumplirse estas dimensiones para que el uso de la estufa sea seguro. La ubicación del tomacorriente y de la tubería de gas puede ajustarse para que se cumplan las siguientes dimensiones y espacios libres.
- La estufa puede instalarse a nivel de la pared trasera. Dacor recomienda especialmente instalar material no combustible en la pared trasera, por encima de la estufa y hasta la campana de ventilación o la instalación. No es necesario instalar materiales no combustibles detrás de la estufa por debajo de la altura de la mesada. Debe sellarse cualquier abertura en la pared trasera o en el piso debajo del electrodoméstico.
- Para instalaciones en Canadá, una estufa de pie no debe instalarse a menos de 4.7 pulgadas (12 cm) de cualquier superficie adyacente.

PRECAUCIÓN

Esta estufa ha sido diseñada para cumplir con la temperatura máxima admisible para gabinetes de madera de 194 °F (90 °C). Asegúrese de que los revestimientos de las paredes, las superficies de las mesadas y los gabinetes alrededor de la estufa puedan soportar el calor (hasta 194 °F [90 °C]) generado por la estufa. De lo contrario, se podrían producir alteraciones de color, deslaminación o derretimiento.

Requisitos de instalación

Dimensiones mínimas

ADVERTENCIA

Si se utilizan gabinetes superiores, debe instalarse una campana para estufas que sobresalga horizontalmente un mínimo de 5" (12.7 cm) con respecto al frente de los gabinetes.

Esto disipará cualquier acumulación de calor en los gabinetes superiores para evitar el riesgo lesiones personales, incendios y muerte. La campana de ventilación debe estar fabricada con planchas de metal cuyo espesor no sea inferior a 0.0122". Instálela por encima de la estufa con una separación mínima de 1/4" entre la campana y la parte inferior del gabinete de material combustible o metal. Como mínimo, la campana debe ser tan ancha como el artefacto y debe estar centrada sobre él. El espacio libre entre la superficie de cocción y la superficie de la campana de ventilación no debe ser nunca inferior a 24 pulgadas.

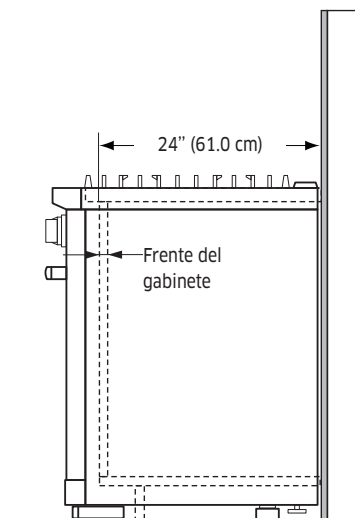
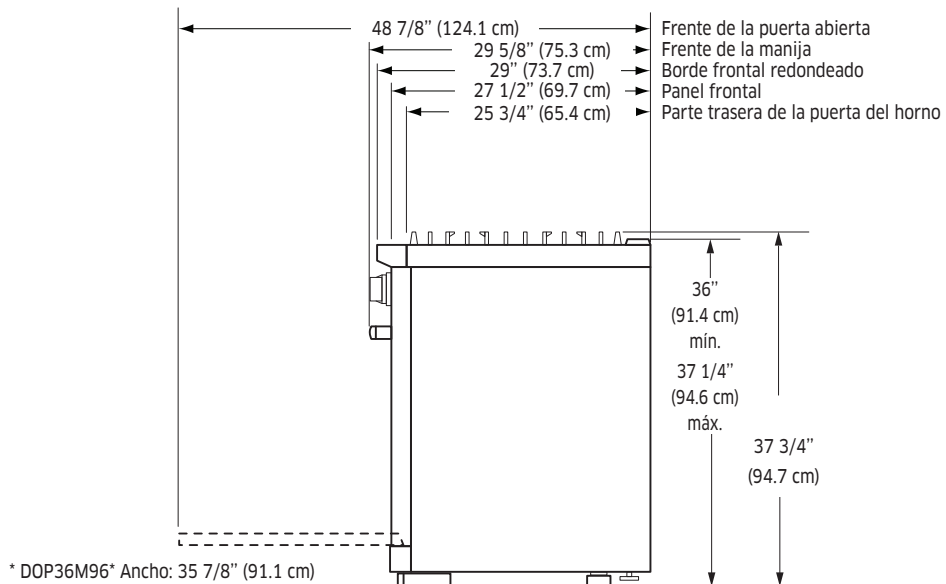
Excepción: la instalación sobre la estufa de un horno de microondas o artefacto de cocción certificado debe cumplir con las instrucciones de instalación de ese artefacto.

- Separación mínima de 30 pulg. (76.2 cm) entre el extremo superior de la superficie de cocción y el extremo inferior de un gabinete de madera o metal no protegido; o un mínimo de 24 pulg. (61 cm) cuando el extremo inferior del gabinete de madera o metal esté protegido por un tablero ignífugo de un mínimo de 0.25 pulg. (0.64 cm) cubierto con una lámina de acero Nro. 28 como mínimo, 0.015 pulg. (0.038 cm) de acero inoxidable, 0.024 pulg. (0.061 cm) de aluminio o 0.020 pulg. (0.051 cm) de cobre.
- 18 pulgadas (45.7 cm) como mínimo entre la superficie de la mesada y la parte inferior del gabinete más cercano.
- Para una instalación tipo isla, mantenga una separación mínima de 2 1/2" entre el recorte y el borde trasero de la mesada y de 4" entre el recorte y los bordes laterales de la mesada.

Dimensiones del producto

NOTA

Tolerancia del producto: $\pm 1/16''$ (± 1.6 mm)



Vista de la estufa instalada
(Vista lateral)

Requisitos de instalación

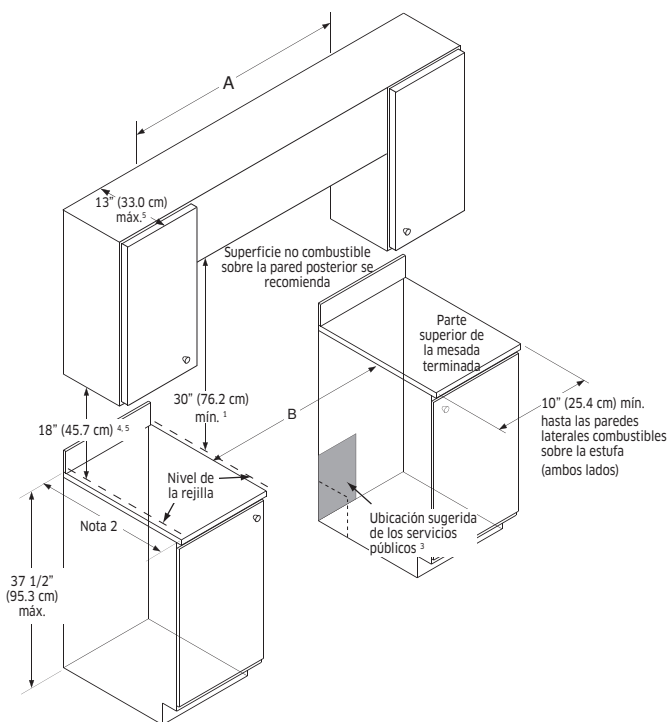
Dimensiones del gabinete

- Deben respetarse las dimensiones máximas y mínimas y los espacios libres que se ilustran en los diagramas que aparecen a continuación para un funcionamiento seguro.
- Verifique que el lugar de instalación de la estufa esté alejado de cualquier tipo de corriente de aire.
- Para reducir el riesgo de incendio y lesiones personales, no deben instalarse gabinetes por encima de la estufa. Si tales gabinetes son inevitables, instale una campana de cocina que sobresalga 5" con respecto a la parte frontal de los gabinetes.

DIMENSIONES DE LA ABERTURA RECORTADA		
Modelo de estufa	A	B
DOP36M96*	42" (106.7 cm)* 36" (91.4 cm)**	36" (91.4 cm)** 36 1/8" (91.7 cm)***

* Recomendado ** Mínimo *** Máximo

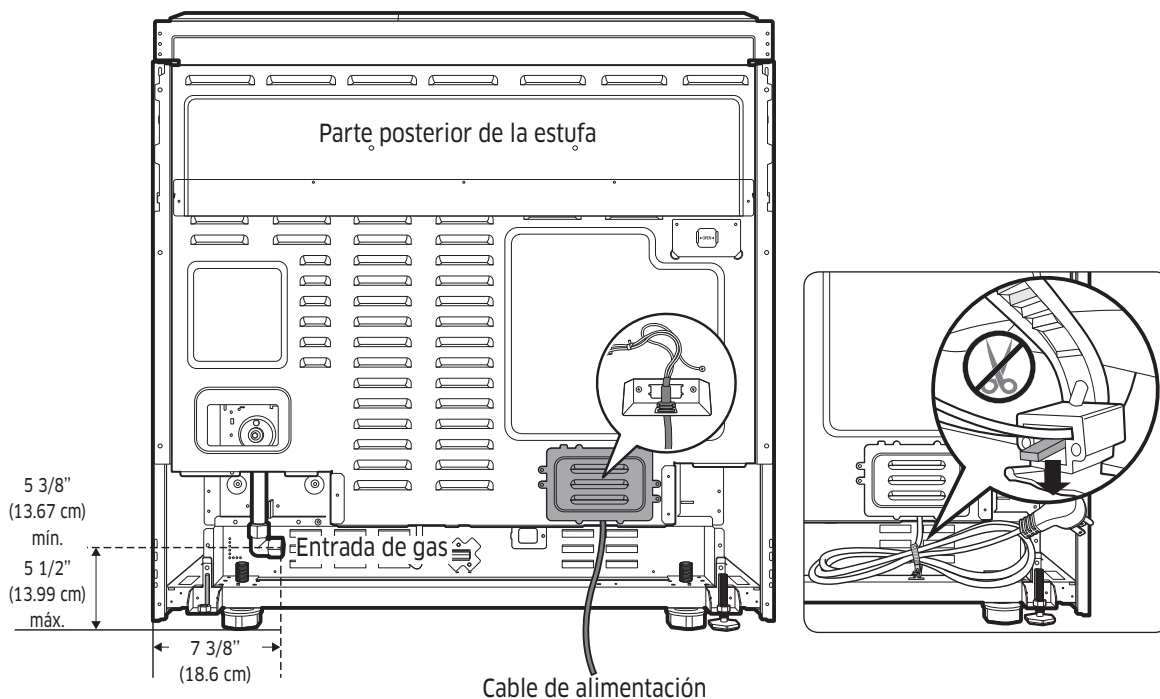
Abertura recortada con campana para estufas



- 1 Vertical desde el nivel de la rejilla de la estufa a la superficie superior combustible; si instala una campana de ventilación superior, también verifique las especificaciones de la campana para conocer los espacios libres requeridos.
- 2 La profundidad del gabinete/ mesada queda a discreción del cliente pero el frente del gabinete NO DEBE sobresalir más que el panel trasero o frontal, ver las dimensiones del producto.
- 3 Consulte el código local para conocer los requerimientos exactos de ubicación.
- 4 Vertical del nivel de la rejilla a la superficie combustible.
- 5 Esta especificación no corresponde a gabinetes con una distancia horizontal superior a 10" (25.4 cm) desde el borde de la estufa.

Requisitos de ubicación

DOP36M96*



¹ Medida con las patas del electrodoméstico en la altura más baja.

² El tamaño de la abertura para el cableado eléctrico debe incrementarse a 1 1/8" (2.9 cm) al retirar el soporte del conducto en la parte inferior de la caja eléctrica de la estufa.

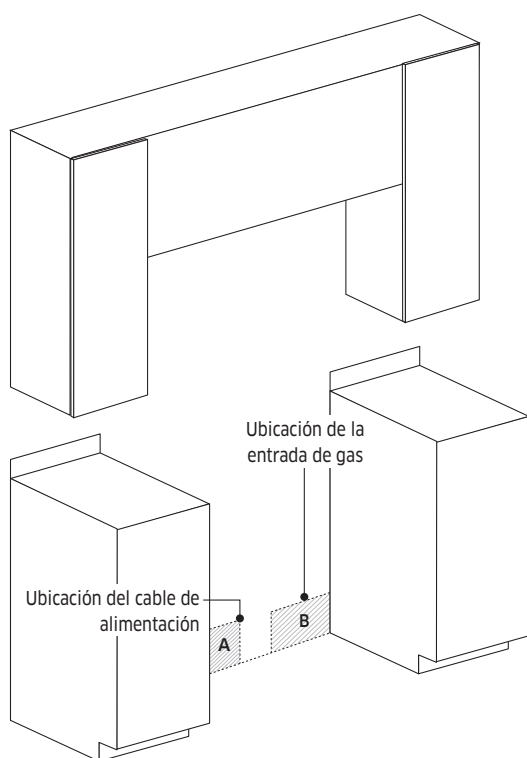
NOTA

Antes de la conexión, tenga en cuenta que el sujetacables en la parte posterior de la unidad cuenta con una palanca que desata el cable de alimentación. No corte el sujetacables. En su lugar, utilice la palanca para desatar el amarre.

Requisitos de instalación

Servicio eléctrico y de gas

- Los puntos negros en el gráfico a continuación representan las ubicaciones recomendadas de la entrada de gas y la toma de corriente. Los servicios públicos existentes pueden utilizarse siempre que no interfieran con la instalación de la estufa. Verifique los códigos de construcción locales para conocer las ubicaciones permitidas para las válvulas de gas.
- Debe instalarse una válvula de cierre manual externa entre la entrada de gas y la estufa para poder cerrar el paso de gas a la estufa. La instalación debe permitir lo siguiente:
 - Acceso a la válvula de cierre del gas cuando la unidad está instalada.
 - Acceso al panel del disyuntor remoto/caja de fusibles, cuando la estufa está instalada.
 - La tubería de suministro de gas y la válvula de cierre y la caja de empalmes del suministro eléctrico/tomacorrientes debe estar ubicado de manera tal que no interfiera con la estufa cuando esté instalada.
 - La caja de empalmes y la válvula de cierre del gas deben estar ubicadas de manera tal que la estufa pueda separarse de la pared para mantenimiento mientras se encuentra conectada.



Modelo	DOP36M96*
A	Cable de alimentación 9 7/8" (W) X 6 9/8" (H) (25.1 cm x 17.5 cm)
B	Entrada de gas 17 15/16" (W) X 5 3/8" (H) (45.5 cm x 13.8 cm)

Requisitos para el gas

Debe proveerse un suministro de gas adecuado.

Esta estufa está diseñada para funcionar con una presión de 5 pulg. (13 cm) de columna de agua con gas natural o 10 pulg. (25 cm) de columna de agua con gas LP (propano o butano).

Asegúrese de que el suministro de gas de la estufa sea del tipo para el cual fue diseñada.

No intente convertir el artefacto del gas especificado en este manual a un tipo de gas diferente sin consultar al proveedor de gas.

Esta estufa puede convertirse para utilizarse con gas natural o propano. Si decide utilizar gas LP, un instalador de LP calificado debe realizar la conversión antes de intentar operar la estufa. (kit de conversión : 703850)

Para lograr un funcionamiento correcto, la presión del gas natural suministrado al regulador debe estar entre 5 pulg. y 13 pulg (13 cm y 33 cm) de columna de agua.

Para el gas LP, la presión suministrada debe encontrarse entre 10 pulg. y 13 pulg. (25 cm y 33 cm) de columna de agua.

Al verificar si el regulador funciona correctamente, la presión de entrada debe ser al menos 1 pulg. (2.5 cm) mayor que la presión de funcionamiento (colector) tal como se da.

El regulador de presión situado en la entrada del colector de la estufa debe permanecer en la tubería de suministro independientemente de que se utilice gas natural o LP.

El conector flexible de metal del artefacto que se utiliza para conectar la estufa a la tubería de suministro de gas debe tener un diámetro interior de 0.5 pulgadas (1.3 cm) y 5 pies (152 cm) de longitud para facilitar la instalación. En Canadá, los conectores flexibles deben ser conectores de metal de lámina simple de no más de 6 pies (183 cm) de longitud.

No enrosque ni dañe la tubería flexible de metal cuando mueva la estufa.

NOTA

- La parrilla cuenta con su propio regulador. Utilice únicamente el regulador provisto, que debe instalarse en la tubería de gas que se extiende desde la entrada de gas de la placa de cocción hasta la válvula de cierre del gas.
- Debe instalarse una válvula de cierre manual externa entre la entrada de gas y la placa de cocción con el fin de abrir o cerrar el paso de gas al equipo.
- Asegúrese de que los conectores sean instalados por un instalador calificado.
- Para los productos nuevos, nunca instale conectores usados que puedan perder gas y provocar lesiones. Utilice únicamente conectores nuevos y flexibles.

Requisitos de instalación

Requisitos especiales para el gas (modelos a gas vendidos en Massachusetts)

REQUISITOS DEL ESTADO DE MASSACHUSETTS:

ADVERTENCIA

- Pueden producirse pérdidas de gas en su sistema, lo que generaría una situación peligrosa.
 - Las pérdidas de gas pueden no ser detectadas únicamente por el olor.
 - Los proveedores de gas recomiendan instalar un detector de gas aprobado por UL de acuerdo con las especificaciones del fabricante.
- La estufa debe ser instalada por un plomero o gasista certificado en el Estado de Massachusetts.
- DEBE instalarse una válvula de gas manual con manija en forma de "T" en el conducto de suministro de gas del producto.
- Si se utiliza un conector de gas flexible para instalar la placa de cocción, no deben conectarse varios conductos flexibles de gas en serie.

Requisitos eléctricos

- No seguir estas instrucciones puede provocar la muerte, un incendio o una descarga eléctrica.

ADVERTENCIA

- Es responsabilidad del propietario asegurarse de que el servicio eléctrico cumpla con los requisitos y que el tomacorriente haya sido correctamente instalado por un electricista autorizado.
- Para reducir el riesgo de incendios, descargas eléctricas o lesiones personales:

Todas las estufas

- No utilice un cable prolongador ni un enchufe adaptador con esta estufa.
- Esta estufa debe conectarse a tierra correctamente.
- Si no está seguro de que la conexión a tierra de la estufa está correctamente realizada y polarizada, consulte a un electricista calificado.
- No modifique el enchufe de alimentación eléctrica de la estufa. Si no se adapta al tomacorriente, un electricista calificado debe instalar uno adecuado.
- Todo el cableado y la conexión a tierra deben cumplir con los códigos locales o, en su ausencia, con la versión más reciente del Código eléctrico nacional ANSI/NFPA Nro. 70 (EE.UU.) o con la versión más reciente del Código eléctrico de Canadá CSA C22.1 y los códigos locales.
- El diagrama de cableado se encuentra en la parte posterior de la estufa.
- El sistema de encendido electrónico de la estufa no funciona si el tomacorrientes no se encuentra adecuadamente polarizado.
- Se recomienda el uso de un disyuntor dedicado.
- En esta tabla se proporciona información sobre la protección mínima recomendada mediante circuito dedicado.

Régimen en KW (120 V)	Tamaño recomendado del circuito (dedicado)
0 - 7.2 KW	10 A

Instrucciones de instalación

Preparación para la instalación

ADVERTENCIA

- Si el servicio de gas o electricidad no cumple con las especificaciones del producto, no prosiga con la instalación. Comuníquese con el distribuidor, el proveedor de gas o un electricista matriculado.
- Antes de instalar la estufa debe ubicar y ajustar la ménsula anti inclinación al piso.

Desempaque de la estufa

Desempaque la caja de piezas y verifique que se hayan provisto todos los componentes necesarios. Si alguna pieza faltara o estuviera dañada, comuníquese con el distribuidor de inmediato. No instale un artefacto si estuviera dañado o incompleto.

Instalación del dispositivo anti inclinación

ADVERTENCIA

- Para reducir el riesgo de inclinaciones, el artefacto debe quedar correctamente fijado mediante la instalación del dispositivo anti inclinación provisto.
- Todas las estufas pueden inclinarse y causar lesiones personales.
- Las estufas inclinadas pueden causar quemaduras por derrames, lesiones personales o la muerte.
- Para prevenir la inclinación accidental, instale y verifique la ménsula anti inclinación de acuerdo con las instrucciones y la plantilla provista con la ménsula.

Conversión a gas LP (opcional)

Todas las estufas de gas nuevas vienen de fábrica configuradas para utilizar gas natural. La estufa de gas Dacor puede convertirse para que utilice gas LP. Consulte la página 78 del Manual del usuario para comunicarse con un técnico de servicio calificado.

Únicamente un instalador de gas LP calificado debe realizar el proceso de conversión.

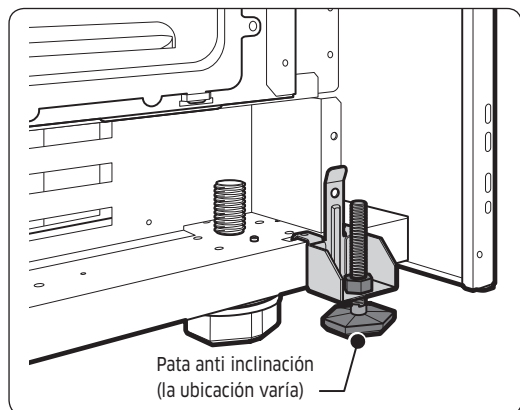
Las instrucciones de conversión y los orificios para LP se proveen con el kit de conversión a LP.

La conversión a LP requiere el cambio de todos los orificios de los quemadores (5 quemadores superiores y 2 quemadores del horno).

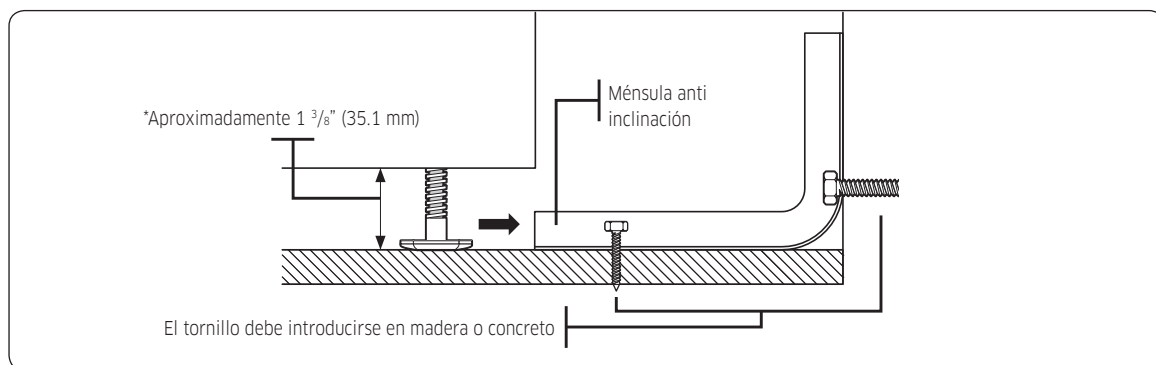
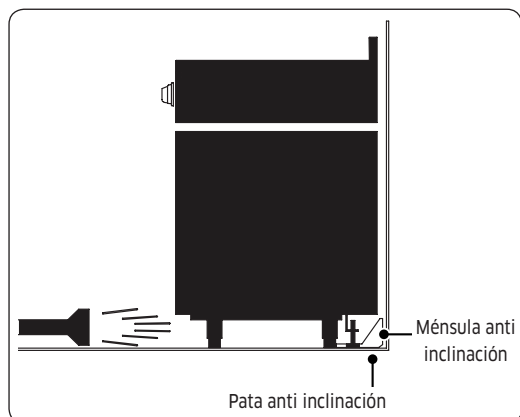
Además, es necesario invertir la boquilla del regulador de presión del gas. El consumidor debe conservar todos los orificios reemplazados, incluidas las instrucciones y la indicación de los orificios y de las medidas para la adaptación.

TAMAÑOS DE LOS ORIFICIOS DEL QUEMADOR Y POTENCIAS DE SALIDA (Gas LP [Propano] 10 en presión de col. de agua)		
Ubicación del quemador	Potencia BTU	Tamaño del orificio [mm]
DI	16500	Entrada 0.46 / Salida 0.78*2
TI	14500	Entrada 0.46 / Salida 0.74*2
DD	16500	Entrada 0.46 / Salida 0.78*2
TD	14500	Entrada 0.46 / Salida 0.74*2
DC	14500	1.12
TC	14500	1.12
Broil (Asar a la parrilla)	14500	0.79*2
Bake (Hornear)	23000	1.4

Instrucciones de instalación



Se provee una ménsula antiinclinación y tornillos, instrucciones de instalación y una plantilla con cada estufa (PN 114475). Las instrucciones incluyen la información necesaria para completar la instalación de la ménsula anti inclinación. Lea y siga las instrucciones de la página y utilice la plantilla para la instalación de la ménsula anti inclinación. Si la instalación no se realiza de manera correcta, la estufa podría inclinarse si usted o un niño se para, se sienta o se apoya sobre la puerta del horno abierta.



NOTA

Para instalar la ménsula anti inclinación, libere la pata niveladora. Se requiere una separación mínima de 1 ³/₈" (35.1 mm) entre la parte inferior de la estufa y el piso de la cocina.

Para verificar si se ha instalado y conectado la ménsula correctamente, retire el panel de protección y mire debajo de la estufa para ver si la pata niveladora se ha metido en la ménsula. Incline con cuidado la estufa hacia adelante. La ménsula debería detener la estufa en una inclinación máxima de 4 pulgadas (10.2 cm). Si no lo hace, debe volver a instalarse la ménsula.

Si se separa la estufa de la pared por algún motivo, repita siempre este procedimiento para verificar que la estufa quede bien fijada con la ménsula anti inclinación. No retire por completo las patas de nivelación porque la estufa no quedará sujeta correctamente al dispositivo anti inclinación.

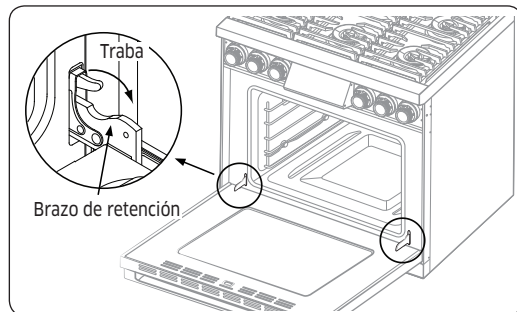
Cómo retirar la puerta del horno

ADVERTENCIA

- No intente retirar las trabas de las bisagras con las puertas retiradas de la estufa. Los resortes de las bisagras pueden soltarse y provocar lesiones.
- No levante ni transporte una puerta de horno por la manija.

NOTA

Para que sea más sencillo mover la estufa, quite las puertas para disminuir el peso.

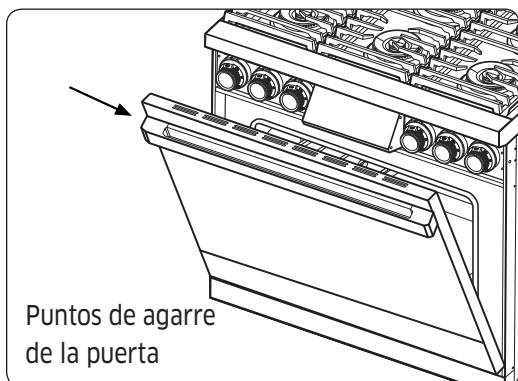


1. Abra la puerta por completo.
2. Utilice una pinza de punta o un destornillador plano para girar la traba sobre el brazo de retención de cada bisagra.

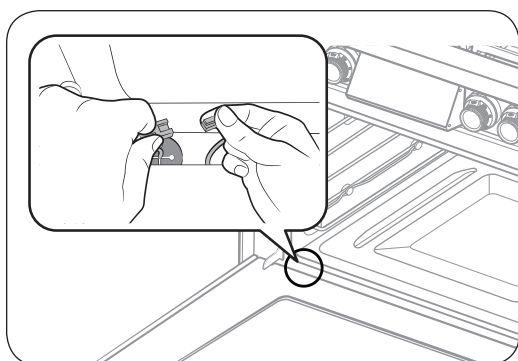
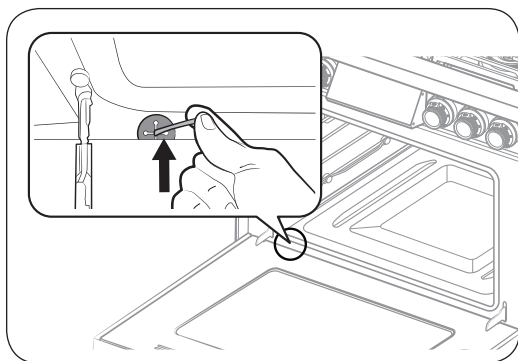
NOTA

Al retirar la puerta, desconecte el cable en la esquina inferior izquierda para evitar dañar el cable.

Instrucciones de instalación



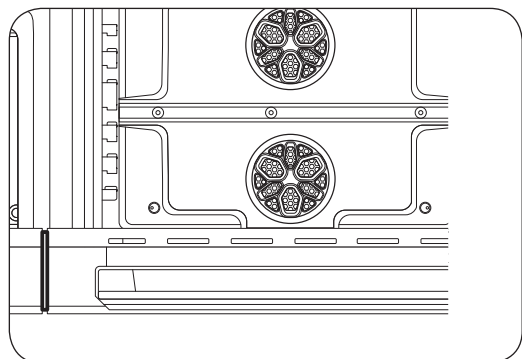
3. Levante la puerta del horno a un ángulo de aproximadamente 15° desde la posición vertical.
4. Sostenga la puerta con ambas manos por debajo de la manija, levántela y retírela del horno.



Conexión eléctrica

PRECAUCIÓN

Para seguridad de las personas, no utilice cables prolongadores con este electrodoméstico. Retire el fusible de la casa o corte la electricidad con el disyuntor antes de comenzar la instalación.



Este electrodoméstico debe ser alimentado con el voltaje, la polarización y la frecuencia correctos, y debe conectarse a un ramal de circuito individual correctamente conectado a tierra y protegido con un disyuntor o fusible cuyo amperaje debe concordar con lo establecido en la placa de especificaciones. La placa de especificaciones se encuentra del lado interno de cada panel lateral que recubre la puerta del horno.

Le recomendamos que el cableado y la conexión de su estufa sean realizados por un electricista calificado. Luego de la instalación, solicítele al electricista que le muestre dónde se encuentra el principal dispositivo de desconexión de su estufa. Verifique con su empresa local de servicio eléctrico los códigos eléctricos vigentes en su área. Si el cableado de su horno no se hace de acuerdo con los códigos en vigencia se podrían generar condiciones peligrosas. Si no hay códigos locales, su estufa debe ser cableada y equipada con fusibles que cumplan los requisitos del National Electrical Code, ANSI/NFPA No. 70-Latest Edition. Para obtener una copia, escriba a:

National Fire Protection Association
Batterymarch Park
Quincy, MA 02269

Instrucciones de instalación

Conexión de gas

ADVERTENCIA

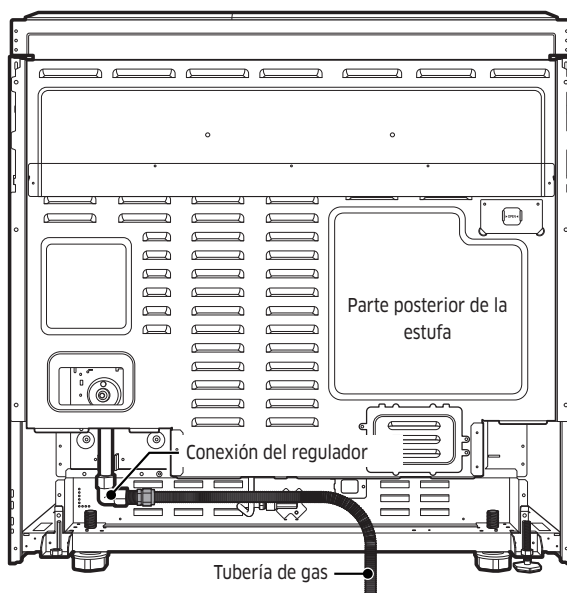
- Asegúrese de que la válvula de suministro de gas y que la alimentación eléctrica hacia la estufa estén apagados en el disyuntor o caja de fusibles antes de conectar la tubería de gas.
- No ajuste en exceso las conexiones y los accesorios de gas.
- No utilice cinta de teflón ni masilla en las conexiones flexibles de gas.
- La presión máxima de suministro de gas al regulador no debe superar la 1/2 libra por pulgada cuadrada (psi) o 3.5 kPa.
- La estufa y la válvula de cierre deben desconectarse de la tubería de suministro de gas durante las pruebas de presión que superen 1/2 psi (3.5 kPa).
- La estufa debe aislarse de la tubería de suministro de gas al cerrar la válvula de cierre durante las pruebas de presión por debajo de 1/2 psi (3.5 kPa).
- Verifique todas las tuberías a fin de detectar pérdidas según se indica a fin de evitar riesgos de incendio o explosión. No utilice una llama para verificar si hay pérdidas.

NOTA

El regulador de presión de gas está configurado de fábrica para el tipo de gas que debe utilizarse con el electrodoméstico. A fin de verificar que el artefacto sea compatible con el tipo de gas disponible, consulte la etiqueta de clasificación de la estufa (consulte la página 6 para conocer su ubicación). Consulte al distribuidor si la estufa no fuera compatible con el tipo de gas provisto.

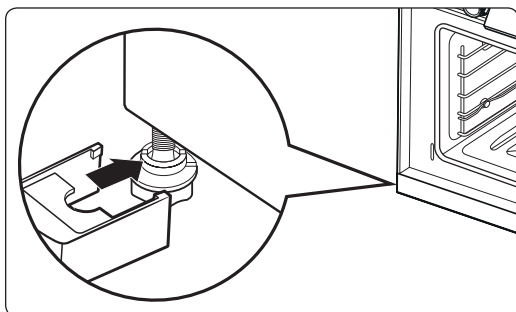
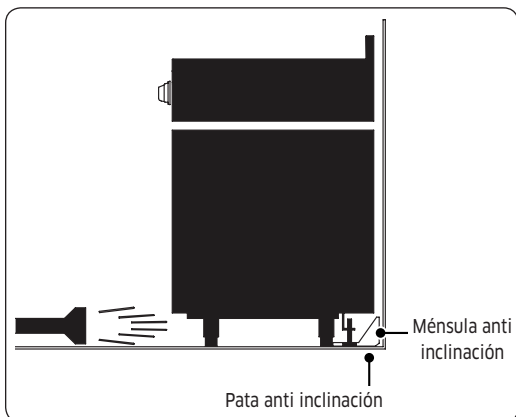
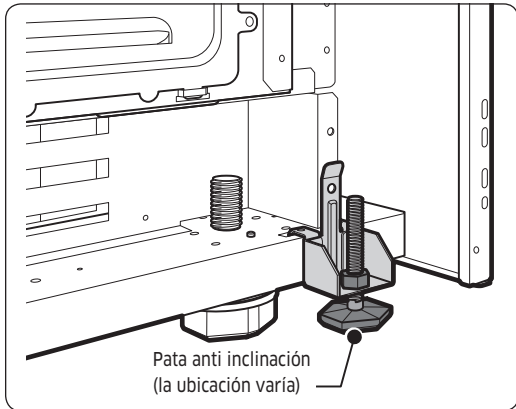
Antes de colocar la estufa en el gabinete:

1. Asegúrese de que la válvula de suministro de gas esté en la posición apagada y que la alimentación eléctrica a la estufa esté apagada.
2. Conecte una tubería de suministro de gas flexible a la válvula de cierre del gas instalada anteriormente en la salida de la boca. La tubería de gas debe ser lo suficientemente larga como para permitir el movimiento de la estufa para realizar reparaciones sin desconectarla.
3. Deslice la tubería de gas por los orificios de acceso del chasis hasta el regulador. Mueva los cables dentro de los orificios de acceso a fin de evitar que se enreden en la tubería de gas al subirla.
4. Conecte la tubería de gas al regulador.
5. Coloque todas las válvulas de control de la placa de cocción en la posición "APAGADO". Encienda el suministro de gas.
6. Verifique todas las tuberías y conexiones a fin de detectar pérdidas con una solución de agua y jabón.
7. Después de verificar que no haya pérdidas de gas, lleve la válvula de suministro de gas conectada a la estufa a la posición "APAGADO".

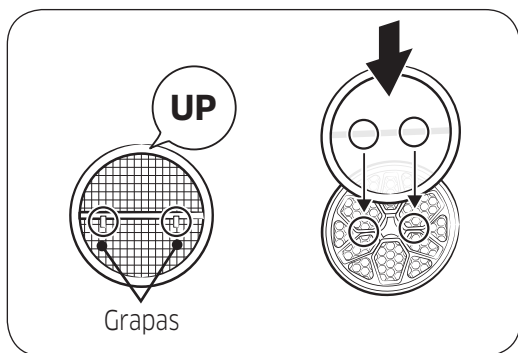


Instrucciones de instalación

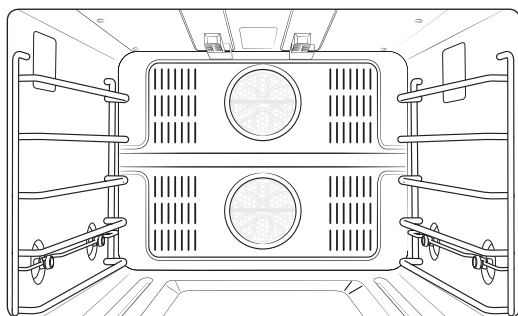
Instalación final



1. Retire la cubierta de protección de la estufa, incluso de la puerta.
2. Mida desde el piso hasta la mesada. Ajusta las patas de nivelación según sea necesario para ubicar el ribete alrededor de la mesada a la altura o por encima de la mesada.
3. Para instalar la ménsula anti inclinación, libere la pata niveladora con una llave Stillson ya que se aplica Loctite en los pernos para evitar aflojamiento por vibraciones. Ubique la pata anti inclinación en la parte trasera de la estufa y bájela (girar) hasta que esté a 1/16" (2 mm) del piso.
4. Deslice cuidadosamente la estufa en su posición en la abertura recortada. La pata anti inclinación debe calzar en la ménsula anti inclinación. Con una linterna mire debajo de la estufa y verifique que las cubiertas de la ménsula cubran la pata anti inclinación.
5. Utilice un nivel para asegurarse de que la estufa no esté inclinada hacia adelante, hacia atrás o hacia los laterales. Ajuste nuevamente las patas para nivelarla y modificar la altura si fuera necesario.
6. Después de instalar y nivelar la estufa, instale las cubiertas de las patas delanteras (derecha e izquierda).



7. Ensamble los filtros de convección provistos en el orificio superior e inferior del ventilador. Para determinar los lados correctos del filtro, localice la palabra 'UP' (ARRIBA) en el filtro. Luego, enganche con cuidado las grapas de metal de la parte posterior del filtro sobre la barra metálica que rodea al orificio del ventilador.



Instrucciones de instalación

Cómo instalar nuevamente la(s) puerta(s) del horno

⚠ ADVERTENCIA

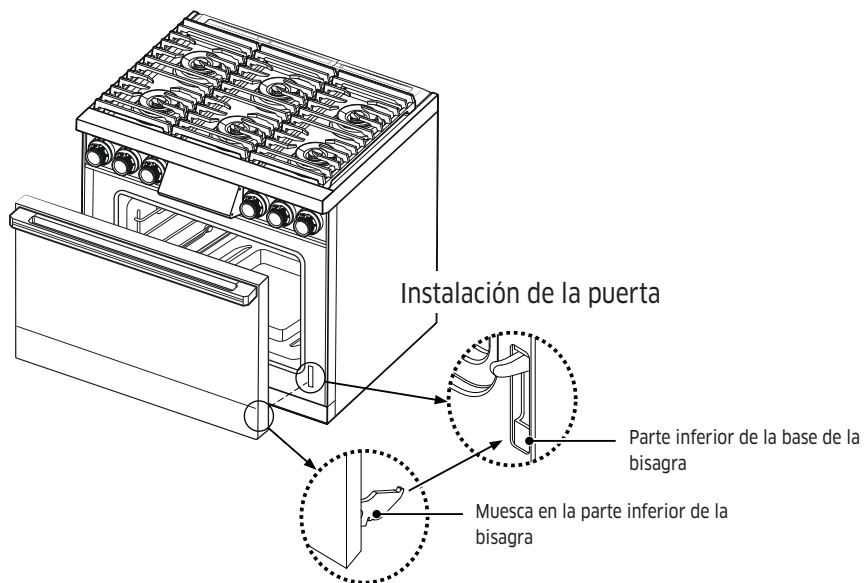
A fin de evitar lesiones o daños a la puerta por caer sobre las bisagras:

- Asegúrese de que la muesca en la parte inferior de cada bisagra quede sobre la parte inferior de la base de la bisagra antes de intentar abrir la puerta del horno.
 - Gire las trabas de las bisagras hacia el frente de la estufa inmediatamente después de instalar la puerta.
1. Sujete la puerta del horno por ambos lados y sosténgala a un ángulo de 15° con respecto al frente del horno. Deslice las bisagras en las aberturas y apoye la parte inferior de los brazos de las bisagras en las bases. Siga sosteniendo la puerta a un ángulo de 15° con una mano mientras la empuja hacia adentro los ángulos inferiores de la puerta. Empuje hasta que la muesca de la parte inferior de cada bisagra se deslice sobre la parte inferior de la base de cada bisagra.

📄 NOTA

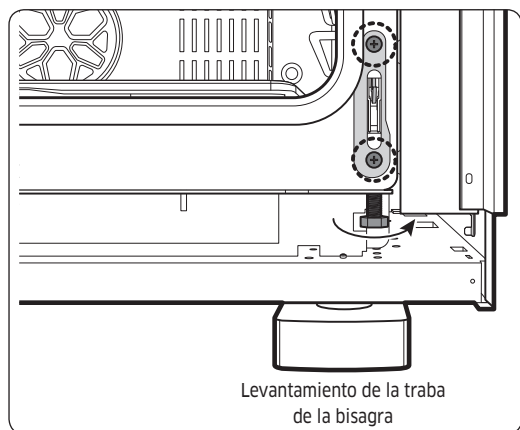
Conecte los cables en la esquina inferior derecha de la puerta.

2. Baje la puerta hasta la posición totalmente abierta.
3. Gire las dos trabas de las bisagras hacia el horno.
4. Abra y cierre lenta y cuidadosamente la puerta por completo para asegurarse de que esté correctamente instalada.
5. Retire cualquier material de empaque del interior del horno.



Ajuste de la puerta

Después de volver a instalar las puertas del horno, asegúrese de que queden paralelas y niveladas. Hay 2 pernos alrededor del horno a vapor, debajo de cada bisagra de la puerta. Los dos pernos inferiores ayudan a ajustar la puerta hacia arriba y hacia abajo.



Ajuste de la puerta hacia arriba y hacia abajo

1. Retire la puerta y los 2 tornillos de la traba de la bisagra.
2. Gire el perno debajo de cada traba de la bisagra de la puerta.
3. Después de ajustar la traba de la bisagra, vuelva a ajustar los 2 tornillos.
4. Vuelva a instalar la puerta.

NOTA

Si levanta la traba, será más difícil ajustar los dos tornillos.

Asegúrese de que la traba de la bisagra quede asegurada firmemente después del ajuste.

Instrucciones de instalación

Instalación de las perillas de los quemadores

⚠ ADVERTENCIA

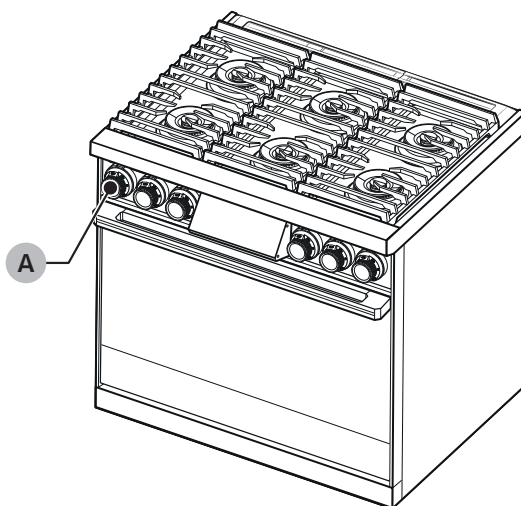
Instalar las perillas de la estufa en la posición errada puede provocar daños al comal que se incluye con la estufa. Las perillas de los quemadores centrales los valores máximos del comal.

📄 NOTA

Al instalar las perillas, alinee la abertura con forma de "D" de la parte trasera de la perilla con el extremo del eje de la válvula. Empuje cuidadosamente la perilla hasta que se detenga.

Las perillas suministradas con la estufa son todas idénticas.

1. Coloque la perilla en la posición A.

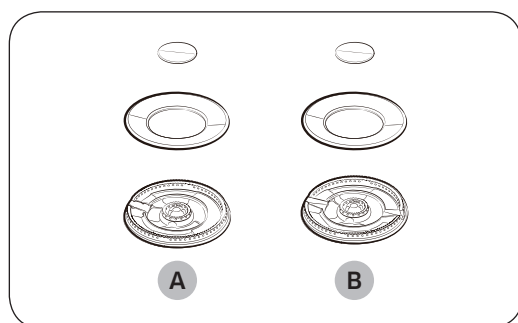
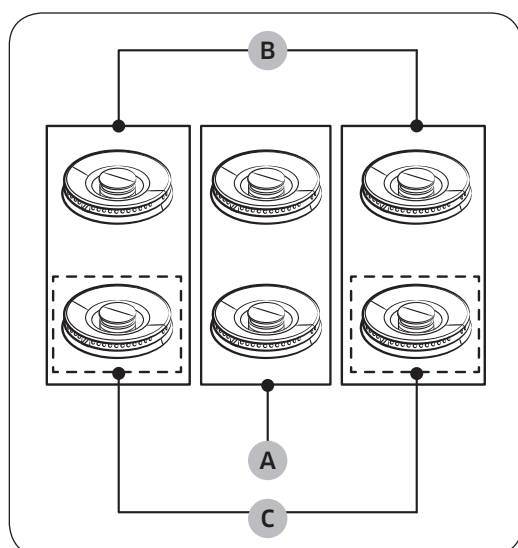


Ensamblaje de la placa de cocción

Ensamble de los quemadores de la parrilla

PRECAUCIÓN

- No opere los quemadores de la parrilla si no están todas las piezas en su lugar.
- No empuje hacia adentro ninguno de los controles de la parrilla al retirarla; puede provocar una leve descarga eléctrica que a su vez pueda hacer que deje caer recipientes calientes.
- No se arriesgue a sufrir una descarga eléctrica al quitar la parte superior o tocar el electrodo de ningún quemador mientras otro está encendido.

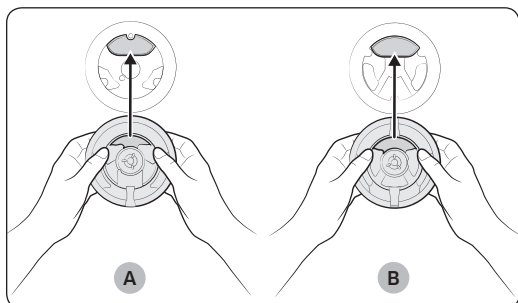


- A. Simple
- B. Doble
- C. Latón

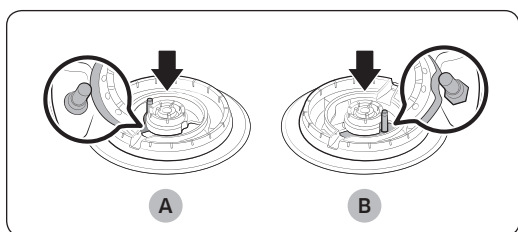
1. Coloque los cabezales de los quemadores sobre sus bases como se muestra a la izquierda. (Los electrodos entrarán en la ranura que se encuentra en la parte inferior de los cabezales). Los cabezales deben quedar planos y paralelos a la parrilla.
2. Coloque las tapas con el tamaño correspondiente en la parte superior de cada cabezal de los quemadores de la parrilla.

Instrucciones de instalación

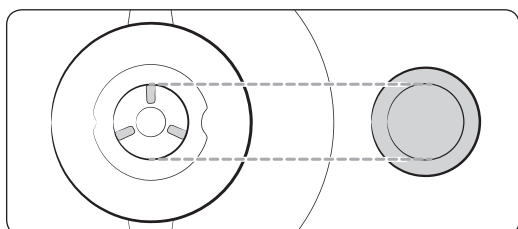
Cabezal/tapas del quemador



1. Oriente el cabezal del quemador de modo que la abertura para el electrodo y el electrodo queden alineados.



2. Instale el cabezal del quemador de modo que el electrodo pase por la abertura del cabezal. Asegúrese de que el cabezal del quemador quede plano en la parte superior de la estufa.



3. Vuelva a instalar las tapas de los quemadores por tamaño, luego instale las tapas en los quemadores.

- A. Simple
B. Doble

Instalación de las rejillas

NOTA

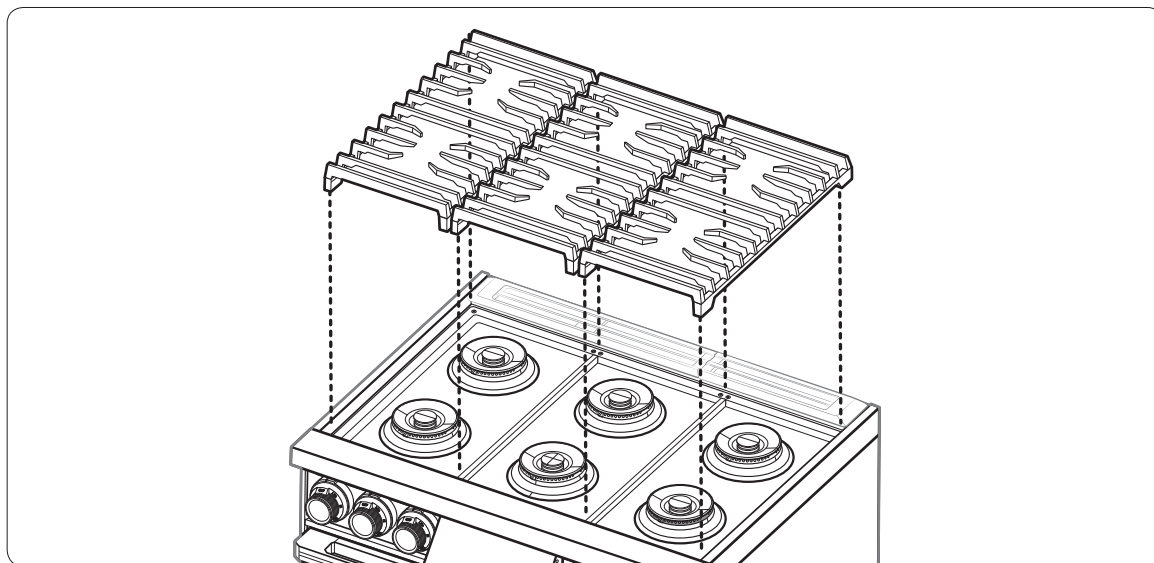
Para obtener unos mejores resultados y una mayor vida útil coloque las rejillas como se indica a continuación. Cuando están bien instaladas, las aberturas de las rejillas están centradas sobre los quemadores.

Las rejillas ocupan posiciones específicas en la parrilla. Para conseguir la máxima estabilidad y seguridad en la operación, estas rejillas solo deben utilizarse en sus posiciones correctas.

La parte posterior de la rejilla derecha tiene una muesca para ayudarle a orientar correctamente las rejillas. (Consulte el gráfico que aparece a continuación).

Para colocar las rejillas correctamente:

1. Busque la ranura en la parte posterior de la rejilla derecha y oriéntela adecuadamente sobre los quemadores derechos.
2. Baje suavemente la rejilla derecha de modo que sus patas queden colocadas en las hendiduras correspondientes de la placa de cocción.
3. Del mismo modo, coloque las rejillas restantes de manera que las patas queden sobre las hendiduras correspondientes.



NOTA

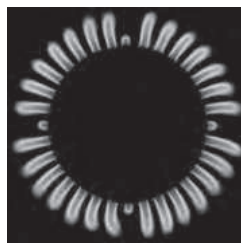
Las rejillas no son intercambiables. Las rejillas tienen su posición (izquierda, centro o derecha) grabada en el metal en la parte inferior de cada una.

Instrucciones de instalación

Verificar el funcionamiento correcto

Antes de utilizar la estufa, lea el manual de uso y cuidado que se adjunta. Contiene información importante de seguridad, mantenimiento y garantía.

1. Antes de iniciar el procedimiento de pruebas, asegúrese de que todas las válvulas de control de la placa de cocción estén en la posición APAGADO y que todos los aros y tapas de los quemadores y las rejillas estén colocados correctamente en el marco de la placa.
2. Encienda el suministro de gas con la válvula de cierre. Verificación de pérdidas de gas.
3. Encienda la electricidad de la estufa desde el disyuntor o caja de fusibles.
4. Siga las indicaciones que aparecen en la pantalla del horno para configurar las preferencias del usuario y la red inalámbrica.
5. Toque la tecla MENÚ en la pantalla.
6. Toque la tecla HORNEAR en la pantalla. La temperatura de horneado por defecto aparecerá en la pantalla.
7. Toque Inicio. Después de 3 minutos, abra la puerta para asegurarse que el aire dentro del horno ha comenzado a calentarse.
8. La pantalla mostrará HORNEAR y la temperatura de precalentamiento.
9. Toque APAGADO para detener el proceso de calentamiento del horno.
10. Pruebe uno de los quemadores presionando la perilla y girándola en el sentido contrario al de las agujas del reloj hasta la posición ALTO. Puede demorar hasta cuatro segundos en encender, en cuyo momento el dispositivo de encendido dejará de emitir chispas. Si no enciende durante en cuatro segundos, apague la perilla, espere al menos cinco minutos para permitir que el gas se disipe y luego repita la prueba de encendido. Después del encendido, gire la perilla de control en el sentido inverso al de las agujas del reloj de ALTO a BAJO para ajustar la intensidad de la llama progresivamente. Cuando los quemadores se instalan correctamente y el gas fluye de manera adecuada, la llama es constante y no se mueve. También tendrá un cono interno azul fuerte cuya longitud cambiará de acuerdo con el tamaño del quemador.
11. Coloque las perilla de control de la cubierta en la posición "APAGADO".
12. Repita la prueba de encendido para todos los quemadores restantes.
13. Puntas amarillas en los conos exteriores–Normal con gas LP.



Llama normal

Si la estufa no funciona adecuadamente, siga estos pasos para la solución de problemas:

1. Verifique que lleguen gas y electricidad a la estufa.
2. Verifique las conexiones eléctricas y el suministro de gas a fin de garantizar que la instalación se realizó correctamente.
3. Repita las pruebas de horneado y encendido de los quemadores.
4. Si el artefacto sigue sin funcionar, comuníquese con el centro de servicio al cliente de Dacor: 833-353-5483. No intente reparar el electrodoméstico usted mismo. Tenga a mano el modelo y los números de serie cuando llame. Consulte la página 6 para conocer la ubicación.

Dacor no se hace responsable del costo de corrección de los problemas provocados por una instalación incorrecta.

Retiro y re instalación

Retirar la estufa para mantenimiento

1. Lleve la válvula de suministro de gas a posición "apagado".
2. Apague la electricidad de la estufa desde el panel del disyuntor o caja de fusibles.
3. Separe la estufa de la pared

Reinstalación de la estufa después del mantenimiento

1. Empuje la estufa a la posición de funcionamiento y asegúrese de que la ménsula anti inclinación esté calzada (consulte la página 40).
2. Encienda la electricidad de la estufa desde el panel del disyuntor o caja de fusibles.
3. Lleve la válvula de suministro de gas a posición "encendido".

Instrucciones de instalación

Lista de verificación de instalación

ADVERTENCIA

- Para garantizar una instalación segura y adecuada, el instalador debe completar la siguiente lista de verificación.
- La instalación adecuada, que el propietario debe garantizar, es vital para el funcionamiento seguro de la estufa.
 - ¿Se ha retirado la capa plástica de la parte exterior de la estufa? ¿Se ha retirado todo el material de empaque de dentro del horno?
 - ¿Están en contacto con el piso las patas niveladoras? ¿La unidad está nivelada? Consulte la página 40.
 - ¿Está fijada la estufa con la ménsula anti inclinación y la pata provistas de acuerdo con las instrucciones? Consulte la página 32.
 - ¿Está cableada y conectada a tierra la estufa de acuerdo con las instrucciones y con todos los códigos eléctricos correspondientes? Consulte la página 31.
 - ¿Se ha medido la presión de entrada del suministro de gas a fin de garantizar que no supere los valores máximos indicados en estas instrucciones? Consulte la página 29.
 - ¿Está conectada la estufa al suministro de gas de acuerdo con las instrucciones y con todos los códigos correspondientes? ¿El instalador verificó el suministro de gas a fin de detectar pérdidas? ¿Se ha colocado nuevamente la cubierta del regulador de gas? Consulte la página 29.
 - ¿Se ha instalado la puerta del horno de acuerdo con las instrucciones? Consulte la página 42.
 - ¿Se han instalado las perillas de los quemadores en los lugares correspondientes? Consulte la página 44.
 - ¿Se han instalado los quemadores y las rejillas de acuerdo con las instrucciones? Consulte las páginas 45-47.
 - ¿Se ha verificado el funcionamiento adecuado? ¿Se ha activado la garantía en línea o se ha completado y enviado por correo la tarjeta de la garantía?



Visite www.Dacor.com para activar su garantía en línea.

INFORMACIÓN SOBRE LA GARANTÍA



IMPORTANTE:

Su garantía no se hará efectiva hasta que no la active en línea o devuelva este formulario a Dacor. Si ha comprado más de un producto Dacor, devuelva todos los formularios en el mismo sobre o active la garantía para cada producto en línea.

Tenga por seguro que bajo ningún concepto Dacor venderá su nombre ni ninguno de los datos que figuran en este formulario con fines de inclusión en listas de correos. Le agradecemos mucho que haya decidido comprar productos Dacor para su hogar y no consideramos que la venta de dicha información sea una forma correcta de expresar nuestra gratitud.

Nombre del propietario:

Apellido (Escriba a máquina o con letra de imprenta)

Nombre

Segundo nombre

Calle:

Ciudad:

Estado:

Código postal:

Fecha de compra:

Email:

Teléfono:

Distribuidor:

Ciudad:

Estado:

Código postal:

Le agradeceremos sinceramente que dedique unos segundos a rellenar esta sección. Gracias.

1. ¿Cuál fue su primer contacto con los productos Dacor? (Marque solo uno.)

- A. Televisión Programa culinario
- B. Revista
- C. Exposición del distribuidor
- D. Exposición de distribuidor de cocinas
- E. Exposición del hogar

- F. Constructor
- G. Arquitecto/Diseñador
- H. Otro propietario de Dacor
- I. Casa modelo
- J. Otro _____

2. ¿Dónde adquirió sus electrodomésticos Dacor?

- A. Distribuidor de electrodomésticos
- B. Distribuidor de cocinas
- C. Distribuidor del constructor

- D. Constructor
- E. Otro _____

3. ¿Con qué objeto compró el producto?

- A. Solo para **reemplazo**
- B. Parte de una remodelación

- C. Nueva casa
- D. Otro _____

4. ¿Cuáles son sus ingresos familiares?

- A. Menos de \$75,000
- B. \$75,000 - \$100,000
- C. \$100,000 - \$150,000

- D. \$150,000 - \$200,000
- E. \$200,000 - \$250,000
- F. Más de \$250,000

5. ¿Qué marcas de electrodomésticos tiene en su cocina?

- A. Placa de cocción _____
- B. Horno _____

- C. Lavavajillas _____
- D. Refrigerador _____

6. ¿Compraría o recomendaría otro producto Dacor?

- Sí

- No

Comentarios:

Le agradecemos mucho su ayuda. La información provista será extremadamente valiosa para ayudarnos a planificar el futuro y ofrecerle el soporte que merece.

Coloque aquí la etiqueta del número de serie

Sitio web: www.Dacor.com

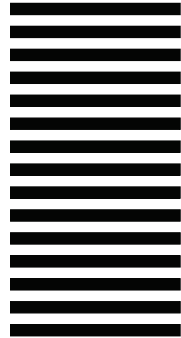
Teléfono: 1+833+353-5483

cortar aquí

cortar aquí



NO POSTAGE
NECESSARY
IF MAILED
IN THE
UNITED STATES



BUSINESS REPLY MAIL
FIRST-CLASS MAIL PERMIT NO 1600 CITY OF INDUSTRY CA

POSTAGE WILL BE PAID BY ADDRESSEE

DACOR
ATTN: WARRANTY PROCESSING DEPT
PO BOX 90070
CITY OF INDUSTRY, CA 91715-9907



fold here



DG68-01106C-02



Dacor • 14425 Clark Avenue, City of Industry, CA 91745 • Teléfono: (833) 353-5483 • Fax: (626) 403-3130 • www.dacor.com



dacor[®]

Consignes d'installation

Cuisinière à gaz Modernist Pro

DOP36M96GL*

Table des matières

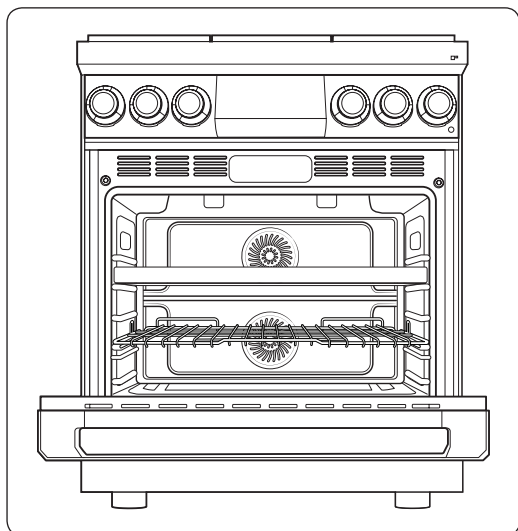
Avant de commencer	4
Important	4
A propos de ce manuel	5
Remarque importante destinée à l'installateur	5
Remarque importante destinée à l'utilisateur	5
Remarque importante destinée au prestataire	5
Informations relatives au service client	6
Consignes de sécurité importantes	7
Lisez toutes les consignes de sécurité avant d'utiliser cet appareil	8
Symboles utilisés dans ce manuel	8
Caractéristiques techniques de l'appareil	21
Contenu	21
Conditions d'installation	23
Liste de contrôle pour la pré-installation	23
Exigences générales	23
Conditions d'emplacement	27
Exigences en matière de gaz	29
Exigences spéciales en matière d'alimentation en gaz (modèles au gaz vendus dans le Massachusetts)	30
Exigences en matière de raccordement électrique	31
Consignes d'installation	32
Préparation à l'installation	32
Installation des boutons pour les brûleurs de surface	44
Assemblage de la table de cuisson	45
Vérification du bon fonctionnement	48
Retrait et réinstallation	49
Liste de contrôle pour l'installation	50

AVERTISSEMENT : le non-respect des consignes décrites dans ce manuel peut entraîner un incendie ou une explosion ainsi que des dommages matériels, des blessures, voire la mort.

- **NE LAISSEZ** en aucun cas d'essence ou d'autres produits inflammables à proximité de cet appareil.
- **SI VOUS SENTEZ UNE ODEUR DE GAZ** :
 - **N'ALLUMEZ PAS** un appareil quel qu'il soit.
 - **NE TOUCHEZ AUCUN** commutateur électrique.
 - **N'UTILISEZ PAS** de téléphone dans votre immeuble.
 - Appelez immédiatement votre fournisseur de gaz avec le téléphone d'un voisin et suivez les instructions de votre fournisseur. (Si vous ne parvenez pas à joindre votre fournisseur de gaz, appelez les pompiers.)
- L'installation et l'entretien doivent être effectués par un installateur qualifié, une agence de maintenance ou votre fournisseur de gaz.

Avant de commencer

Important



- L'aspect global et/ou les accessoires peuvent varier selon les modèles.

Installation

- Pour des raisons de sécurité et réduire l'apparition de problèmes, lisez attentivement ce manuel avant de procéder à l'installation de votre appareil. Ce manuel doit être en possession de l'utilisateur de l'appareil.
- Inscrivez le numéro de série/modèle de l'appareil sur le manuel à des fins de référence pour les opérations de service/maintenance.

Personnalisé.

- Conservez ce manuel pour référence personnelle et professionnelle.



A propos de ce manuel

LISEZ ENTIÈREMENT ET ATTENTIVEMENT CES INSTRUCTIONS.

Remarque importante destinée à l'installateur

- Lisez l'intégralité des consignes d'installation avant d'installer la cuisinière.
- Retirez tous les éléments d'emballage des compartiments de la table de cuisson avant de raccorder la cuisinière à l'alimentation électrique et à l'arrivée de gaz.
- Respectez tous les codes et règlements en vigueur.
- Assurez-vous de laisser ces instructions à l'utilisateur.
- L'installation de cet appareil nécessite des connaissances mécaniques de base.
- Il incombe à l'installateur de poser correctement l'appareil.
- Tout dysfonctionnement imputable à une mauvaise installation n'est pas couvert par la garantie.

Remarque importante destinée à l'utilisateur

Conservez ces instructions avec votre manuel d'utilisation pour une référence ultérieure.

- Comme pour tout appareil générant de la chaleur, certaines consignes de sécurité sont à respecter.
- Assurez-vous que votre appareil est correctement installé et mis à la terre par un installateur qualifié ou un technicien spécialisé.
- Assurez-vous que les revêtements muraux situés à proximité de l'appareil peuvent résister à la chaleur générée par celui-ci.
- La distance de l'armoire de stockage située au-dessus des brûleurs de la table de cuisson doit être au minimum de 30 po (76,2 cm).

Remarque importante destinée au prestataire

Le schéma électrique se trouve dans une enveloppe jointe à l'arrière de la cuisinière.



Informations relatives au service client

Cette section doit apparaître comme suit :

Pour les problèmes d'installation, contactez votre revendeur Dacor ou le service client Dacor. Veillez à avoir les numéros de modèle et de série à portée de main. (Voir le graphique ci-dessous pour l'emplacement.)

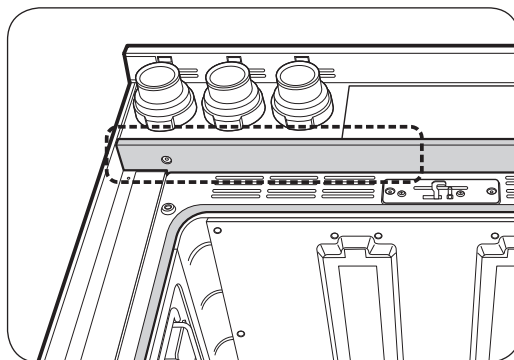
Service client Dacor

Téléphone : 833-35-ELITE (833-353-5483) États-Unis, Canada

Du lundi au vendredi de 5 h 00 à 17 h 00 heure du Pacifique

Informations sur l'appareil : knowledgebase.dacor.com

Site Web : www.dacor.com



Emplacement des numéros de modèle et de série

Consignes de sécurité importantes

DISPOSITIF ANTI-BASCULEMENT



⚠ AVERTISSEMENT

TOUTES LES CUISINIÈRES SONT SUSCEPTIBLES DE BASCULER ET DE PROVOQUER DES BLESSURES.



LE BASCULEMENT D'UNE CUISINIÈRE PEUT PROVOQUER DES BRÛLURES DUES AUX PROJECTIONS, DES BLESSURES ET/OU DES ACCIDENTS MORTELS.

INSTALLEZ ET VÉRIFIEZ LE DISPOSITIF ANTI-BASCULEMENT EN SUIVANT LES INSTRUCTIONS ET LE GABARIT D'INSTALLATION FOURNI AVEC LE DISPOSITIF.

- Afin d'éviter le basculement de la cuisinière, fixez-la correctement au sol à l'aide d'un support anti-basculement adapté. (L'installation du dispositif anti-basculement figure dans les consignes d'installation.) Vérifiez l'installation correcte en basculant la cuisinière vers l'avant avec précaution. Veillez à ce que le dispositif anti-basculement soit en place afin d'empêcher la cuisinière de basculer.
- Si la cuisinière est, pour une quelconque raison, retirée du mur, assurez-vous que le dispositif anti-basculement est convenablement remonté une fois que la cuisinière est remise en place.
- Respectez les consignes d'installations décrites dans le manuel d'installation. Le non-respect de ces consignes peut entraîner des accidents mortels, blessures et/ou dégâts matériels.
- **NE marchez pas, ne vous asseyez pas, ne vous appuyez pas** sur la porte ou le tiroir pour éviter le basculement accidentel de la cuisinière.

Consignes de sécurité importantes

LISEZ TOUTES LES CONSIGNES DE SÉCURITÉ AVANT D'UTILISER CET APPAREIL

- Les appareils électriques et au gaz comportant des pièces mobiles présentent un danger. Les consignes importantes de sécurité exposées dans ce manuel visent à minimiser le risque de dommages matériels, de blessures corporelles et de décès. Assurez-vous de les lire.
- Conservez le présent manuel à un endroit facile d'accès de sorte que vous puissiez vous y reporter dès que nécessaire.

Symboles utilisés dans ce manuel

AVERTISSEMENT

Risques ou manipulations dangereuses susceptibles d'entraîner des blessures graves, voire mortelles.

ATTENTION

Risques ou manipulations dangereuses susceptibles d'entraîner un choc électrique, des blessures physiques ou des dégâts matériels.

REMARQUE

Conseils et consignes utiles.

Les icônes et symboles d'avertissement ont pour objectif d'éviter les risques de dégâts matériels et de blessures corporelles. Suivez-les scrupuleusement.

California Proposition 65 Avertissement

AVERTISSEMENT

Cancer et Troubles de l'appareil reproducteur - www.P65Warnings.ca.gov

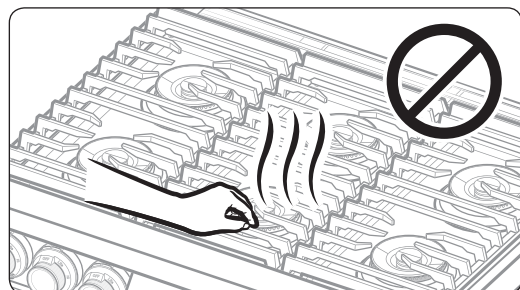
Commonwealth du Massachusetts

Cet appareil doit être installé par un plombier certifié ou un monteur d'installations au gaz qualifié ou certifié par l'État du Massachusetts. Lorsque des vannes à bille sont utilisées pour la fermeture du gaz, elles doivent être munies d'une poignée en T. Il ne faut pas connecter plusieurs canalisations de gaz flexibles en série.

Sécurité générale

AVERTISSEMENT

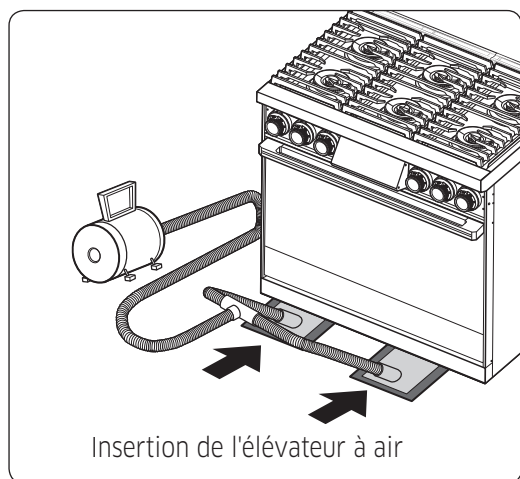
Pour réduire le risque d'incendie, de choc électrique, de blessures graves voire mortelles, respectez les précautions suivantes :



- **Ne touchez** aucun(e) surface, composant ou mécanisme de l'appareil pendant ou juste après son utilisation.
- **Assurez-vous** de savoir où et comment ouvrir/fermer la vanne de gaz de la cuisinière.
- Assurez-vous que le **dispositif anti-basculement** est correctement installé. (Reportez-vous aux Consignes d'installation pour plus d'informations.)
- **Ne laissez pas** les enfants s'asseoir/monter sur l'appareil ou jouer avec l'une des pièces. Ne laissez jamais les enfants sans surveillance dans la cuisine lorsque l'appareil est en fonctionnement.
- **Retirez** tous les matériaux d'emballage avant d'utiliser l'appareil pour éviter qu'ils ne prennent feu. Tenez tous les matériaux d'emballage hors de la portée des enfants. Jetez correctement les matériaux d'emballage dès que l'appareil est déballé.
- **N'entreposez pas** d'objets susceptibles d'éveiller l'intérêt des enfants sur ou autour de l'appareil.
- **Ne faites pas fonctionner** l'appareil s'il est endommagé d'une quelconque façon, s'il présente un dysfonctionnement ou s'il manque des pièces.
- **N'utilisez pas** l'appareil comme chauffage. Cet appareil ne doit être utilisé que pour la cuisson.

Consignes de sécurité importantes

- N'utilisez pas de nettoyeurs pour four ou de revêtements de protection dans ou autour d'aucune partie du four.
- Utilisez uniquement des maniques sèches.
- N'utilisez pas l'appareil pour chauffer des aliments contenus dans des récipients fermés.
- Évitez tout choc sur le verre du four.
- Lors de la mise au rebut de la cuisinière, coupez le cordon d'alimentation et retirez la porte.
- Débranchez l'appareil avant toute opération d'entretien/maintenance.
- Assurez-vous que la viande et la volaille sont totalement cuites. La viande doit toujours être cuite à une température de 160 °F (71 °C). La volaille devrait toujours être cuite à une température interne de 180 °F (82 °C).
- Vous ne devez pas utiliser de rideau d'air ou une autre hotte d'aspiration suspendue (fonctionnant en soufflant un débit d'air vers le bas sur une cuisinière) conjointement à une cuisinière à gaz, sauf si la hotte et la cuisinière ont été conçues et testées conformément à la norme relative aux cuisinières domestiques à gaz, ANSI Z21.1 • CSA1.1, et répertoriées par un laboratoire de test indépendant pour une utilisation combinée.

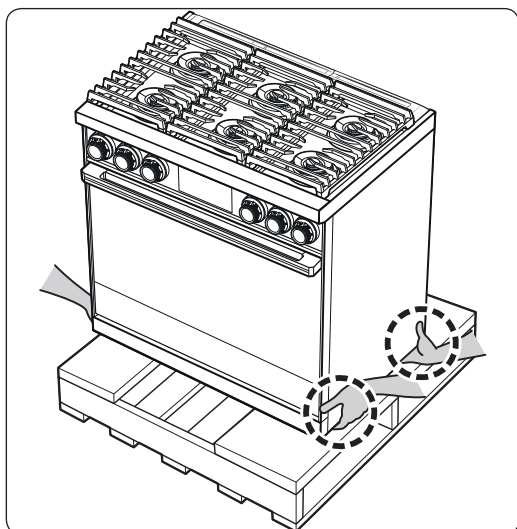
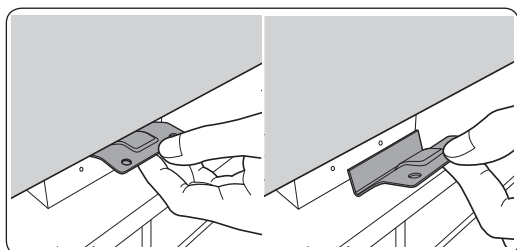
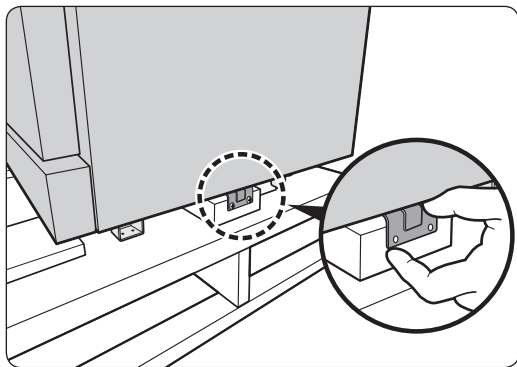


- En raison de son poids, un système pour équipement lourd tel qu'un élévateur à air devra être utilisé pour déplacer cet appareil. Le poids doit être soutenu de manière uniforme au bas de l'appareil. Une fois la cuisinière transportée vers l'emplacement souhaité à l'aide de l'élévateur à air, la cuisinière peut être mise à niveau en réglant les pieds à l'aide d'une clé alors que l'élévateur est toujours en place.

⚠ AVERTISSEMENT

N'utilisez JAMAIS cet appareil en tant que chauffage intérieur pour chauffer une pièce. Le non-respect de cette consigne peut entraîner une intoxication au monoxyde de carbone et une surchauffe du four.

Pour retirer l'appareil de la palette en toute sécurité



1. Retirez les vis au niveau du support inférieur de chaque côté de l'appareil.
2. Retirez le support sur l'un des côtés en le poussant.
3. Demandez à deux personnes d'attraper les deux côtés inférieurs de l'appareil et de le soulever pour le retirer de la palette. Veillez à ne pas l'attraper par la poignée de la porte.

Consignes de sécurité importantes

Consignes de sécurité importantes

Sécurité incendie

⚠ AVERTISSEMENT

Pour réduire le risque d'incendie, de choc électrique, de blessures graves voire mortelles, respectez les précautions suivantes :



- **Ne stockez/placez/utilisez pas** de matières combustibles (p. ex. papier, plastique, maniques, tissus, essence, alcool) à proximité de l'appareil.
- **Ne portez jamais** de vêtements amples et des accessoires pendants lorsque vous utilisez cet appareil.

- Pour éviter l'accumulation de la graisse, **nettoyez régulièrement** les orifices de ventilation.
- **Ne laissez pas** de maniques ou autres matériaux inflammables toucher un élément chauffant. N'utilisez pas de serviette ou tout autre torchon volumineux comme manique.
- **N'arrosez pas** un incendie lié à la graisse avec de l'eau. Éteignez la source de chaleur et étouffez les flammes à l'aide d'un couvercle hermétique ou en utilisant un extincteur multifonction à poudre ou à mousse.
- Si un incendie lié à la graisse se déclare à l'intérieur du four, **éteignez le four** en appuyant sur le bouton **ARRÊT**. Maintenez la porte du four fermée jusqu'à extinction de l'incendie. Si nécessaire, utilisez un **extincteur** multifonction à poudre ou à mousse.
- **Ne faites pas chauffer** des aliments contenus dans des récipients fermés. L'accumulation de pression pourrait faire exploser les contenants et provoquer des blessures.

Sécurité liée au gaz

AVERTISSEMENT

Pour réduire le risque d'incendie, de choc électrique, de blessures graves voire mortelles, respectez les précautions suivantes :

Si vous sentez une odeur de gaz :

- Fermez la vanne et n'utilisez pas l'appareil.
- N'allumez pas d'allumette, de bougie ou de cigarette.
- N'allumez aucun appareil au gaz ou électrique.
- Ne touchez pas aux interrupteurs électriques ou aux prises d'un cordon d'alimentation.
- N'utilisez pas de téléphone dans votre immeuble.
- Évacuez toutes les personnes présentes dans le bâtiment.
- Appelez immédiatement votre fournisseur de gaz avec le téléphone d'un voisin. Suivez les instructions de votre fournisseur de gaz.
- Si vous ne parvenez pas à joindre votre fournisseur de gaz, appelez les pompiers.

Vérification des fuites de gaz

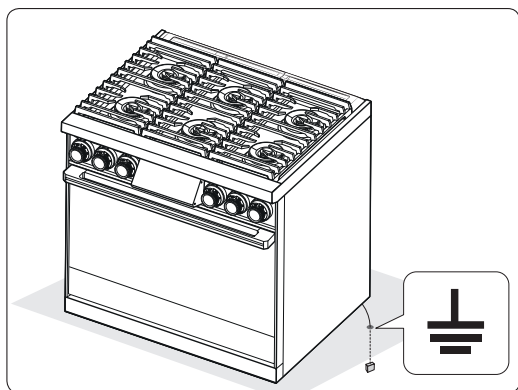
Un test de fuite de l'appareil doit être effectué selon les instructions du fabricant. N'utilisez pas de flamme pour vérifier s'il y a des fuites de gaz. Utilisez plutôt un pinceau pour étaler de l'eau savonneuse autour de l'endroit à vérifier. En présence d'une fuite de gaz, de petites bulles apparaîtront dans la solution. En cas de doute, appelez un professionnel pour obtenir de l'aide.

Consignes de sécurité importantes

Sécurité électrique et mise à la terre

⚠ AVERTISSEMENT

Pour réduire le risque d'incendie, de choc électrique, de blessures graves voire mortelles, respectez les précautions suivantes :



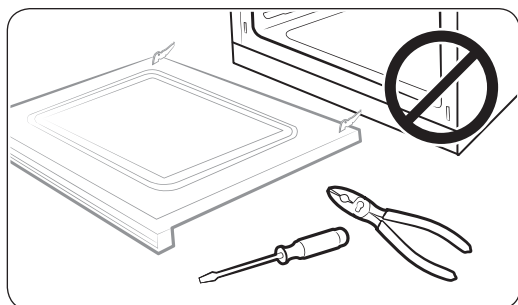
- Branchez l'appareil sur une prise murale correctement polarisée et reliée à la terre.
- **Ne retirez pas** la broche de mise à la terre.
- **N'utilisez pas** d'adaptateur ou de rallonge.
- **N'utilisez jamais** une fiche ou un cordon d'alimentation endommagé(e) ou une prise d'alimentation mal fixée.
- **N'altérez en aucun cas** la prise électrique, les fiches électriques ou le cordon d'alimentation.

- **Ne mettez pas** de fusible dans un circuit neutre ou de terre.
- Utilisez un circuit électrique dédié de 120 V, 60 Hz, 20 A (CA) avec fusible pour cette cuisinière. Il est recommandé d'utiliser un fusible à retardement ou un disjoncteur et de veiller à une polarisation appropriée. Ne branchez pas plusieurs appareils sur ce circuit.
- **Ne branchez pas** le câble de mise à la terre sur des canalisations en plastique ou des conduites de gaz ou d'eau chaude.
- Cet appareil doit être relié à la terre. En cas de dysfonctionnement de la cuisinière, la mise à la terre permet de réduire le risque d'électrocution en créant un chemin de sécurité pour le courant électrique. Le cordon d'alimentation de cette cuisinière est doté d'une fiche de mise à la terre qui doit être branchée dans une prise correctement installée et mise à la terre conformément aux réglementations locales. Si vous n'êtes pas sûr que la prise électrique soit correctement mise à la terre, consultez un électricien qualifié afin qu'il vérifie.
- Cette cuisinière est fournie avec une prise tripolaire reliée à la terre. Ce cordon doit être branché sur une prise murale tripolaire homologuée correctement polarisée et mise à la terre et être conforme aux normes électriques en vigueur. Si les normes permettent l'utilisation d'un câble de mise à la terre séparé, nous vous recommandons de faire appel à un électricien qualifié afin qu'il détermine le chemin approprié pour ce câble.
- L'installation électrique de la cuisinière doit être conforme aux codes locaux ou, en l'absence de ceux-ci, avec le Code National Électrique NFPA n° 70 - dernière édition (pour les États-Unis) ou avec le Code Électrique Canadien CSA C22.1 - dernière édition ou dernières révisions.
- Le propriétaire de l'appareil doit s'assurer qu'une installation électrique appropriée alimente l'appareil.

Sécurité liée à l'installation

⚠ AVERTISSEMENT

Pour réduire le risque d'incendie, de choc électrique, de blessures graves voire mortelles, respectez les précautions suivantes :



- Cet appareil doit être correctement installé et mis à la terre par un installateur qualifié, conformément aux Instructions d'installation. Les ajustements et les réparations ne doivent être effectués que par un installateur qualifié de cuisinières à gaz ou par un technicien qualifié.

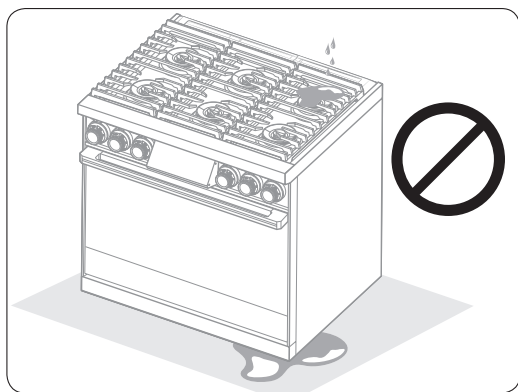
- **Ne tentez pas** de réparer/modifier/remplacer les pièces de l'appareil vous-même, sauf si le présent manuel vous y autorise. Toute autre réparation devra être effectuée par un technicien qualifié.
- Utilisez uniquement des connecteurs neufs et flexibles lorsque vous installez l'appareil.
- **Assurez-vous** que le dispositif anti-basculement est correctement installé. (Reportez-vous aux Consignes d'installation pour plus d'informations.)
- Compte tenu de la taille et du poids de la cuisinière, **deux personnes ou plus** sont nécessaires pour la déplacer.
- **Retirez** toutes les bandes et les matériaux d'emballage.
- Après avoir déballé l'appareil, retirez tous les accessoires à l'intérieur ou autour de celui-ci. (Manipulez les grilles avec précaution.)
- **Assurez-vous** qu'aucune pièce ne se soit desserrée durant l'expédition.
- **Assurez-vous que** l'appareil est correctement installé et réglé par un installateur qualifié ou un technicien qualifié pour le type de gaz que vous allez utiliser (naturel ou GPL). Pour que votre cuisinière puisse fonctionner au GPL, l'installateur doit remplacer tous les orifices des brûleurs de surface par le kit d'orifices GPL fourni et inverser l'adaptateur du potentiel de mise à la terre (GPR). Ces ajustements doivent être effectués par un technicien qualifié conformément aux instructions du fabricant et aux réglementations locales. L'agence qualifiée effectuant ces travaux assume la responsabilité de la conversion au gaz.
- L'installation de cette cuisinière doit être conforme aux codes locaux ou, en absence de codes locaux, au Code national de gaz combustible, ANSI Z223.1/NFPA.54, dernière édition. Au Canada, l'installation doit être conforme au Code d'installation du gaz naturel et propane, CAN/CGA-B149.1, en vigueur, ou au Code d'installation du propane, CAN/CGA-B149.2, en vigueur, ainsi qu'aux codes locaux qui s'appliquent. Cette cuisinière a été certifiée par UL selon ANSI Z21.1/CSA 1.1, dernière édition.

Consignes de sécurité importantes

Sécurité de l'emplacement

⚠ AVERTISSEMENT

Pour réduire le risque d'incendie, de choc électrique, de blessures graves voire mortelles, respectez les précautions suivantes :



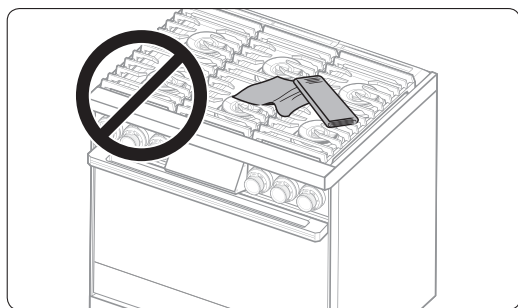
- Cette cuisinière est destinée à une utilisation domestique uniquement à l'intérieur. **N'installez pas** la cuisinière à l'extérieur ou dans un endroit exposé au vent/pluie/courants d'air.

- Sélectionnez un sol de niveau, bien construit et capable de supporter le poids de la cuisinière. Des revêtements synthétiques, tels que du linoléum, doivent supporter des températures de 180 °F (82 °C) sans rétrécir, se voiler ou se décolorer. **N'installez pas** la cuisinière directement sur une moquette de cuisine, sauf si vous placez une couche de contreplaqué de ¼ de pouce ou un isolant similaire entre la cuisinière et la moquette.
- La cuisinière doit être installée à proximité d'une prise murale à 3 broches reliée à la terre.
- N'accrochez pas de stores en papier sur une fenêtre à proximité de la cuisinière, ni de longs rideaux pouvant l'atteindre en cas de courant d'air.
- Pour que la cuisinière soit correctement ventilée, assurez-vous que ses orifices de ventilation ne sont pas obturés ou recouverts et qu'il y a suffisamment d'espace au-dessus, à l'arrière, sur les côtés et sous la cuisinière. Les orifices de ventilation permettent l'échappement nécessaire au bon fonctionnement de l'appareil, à une combustion correcte et à l'obtention des résultats de cuisson escomptés.
- **Assurez-vous que** les revêtements muraux situés à proximité de l'appareil peuvent résister à la chaleur générée par celui-ci, pouvant aller jusqu'à 194 °F (90 °C).
- Un placard de rangement est à éviter au-dessus de la surface de la cuisinière. Si un placard de rangement est nécessaire au-dessus de la cuisinière : laissez un minimum de 30 pouces (76,2 cm) entre la surface de cuisson et le bas des placards ; ou installez une hotte d'aspiration qui dépasse horizontalement d'au moins 5 pouces (12,7 cm) au-delà du fond des placards.

Sécurité liée à la table de cuisson

⚠ AVERTISSEMENT

Pour réduire le risque d'incendie, de choc électrique, de blessures graves voire mortelles, respectez les précautions suivantes :



- **Assurez-vous** que tous les brûleurs sont éteints lorsqu'ils ne sont pas utilisés.
 - **N'utilisez pas** de feuille d'aluminium pour revêtir les grilles ou toute autre partie de la table de cuisson.
 - **Ne laissez pas** les brûleurs sans surveillance lors de réglages moyen ou élevé.
 - Préalablement à l'allumage, **assurez-vous** que tous les chapeaux de brûleurs sont correctement en place et que tous les brûleurs sont de niveau.
-
- Utilisez toujours la position ALLUMAGE pour allumer un brûleur et assurez-vous que le brûleur s'est bien allumé. Si l'allumage échoue, tournez le bouton sur ARRÊT et attendez quelques minutes que le gaz se dissipe.
 - Lorsque vous réglez un brûleur sur mijotage, **ne tournez pas** le bouton rapidement. Assurez-vous que la flamme reste allumée.
 - **Ne placez** aucun objet autre qu'un ustensile de cuisine sur la table de cuisson.
 - Cette table de cuisson est conçue pour cuisiner avec un wok ou un anneau wok. Si vous faites flamber des aliments, faites-le sous une hotte de ventilation allumée.
 - Avant de retirer ou de changer d'ustensile de cuisson, éteignez les brûleurs.
 - Retirez les aliments et les ustensiles de cuisson immédiatement après la cuisson.
 - Assurez-vous que tous les brûleurs de la table de cuisson sont éteints et que toutes les surfaces ont complètement refroidi avant de retirer les grilles et de démonter les brûleurs.
 - Après nettoyage de la tête du brûleur, **assurez-vous** qu'elle est complètement sèche avant de la réinstaller.
 - **Assurez-vous que** le repère de l'étincelle sur le diffuseur de brûleur double est placé à côté de l'électrode lorsqu'il est assemblé.
 - Pour éviter l'empoisonnement par monoxyde de carbone, ne versez pas d'eau ou d'autres liquides sur la table de cuisson lors du nettoyage.
 - Sélectionnez des récipients conçus pour les tables de cuisson et assez grands pour couvrir les grilles. Les flammes des brûleurs ne doivent pas s'étendre au-delà du fond du récipient.
 - Pour éviter la décoloration des ustensiles, leur déformation et/ou l'empoisonnement par monoxyde de carbone, **n'utilisez pas** d'ustensiles beaucoup plus grands que la grille.
 - Orientez les poignées des ustensiles sur un côté ou vers l'arrière afin de ne pas les laisser au-dessus des brûleurs ou du rebord antérieur de la table de cuisson.



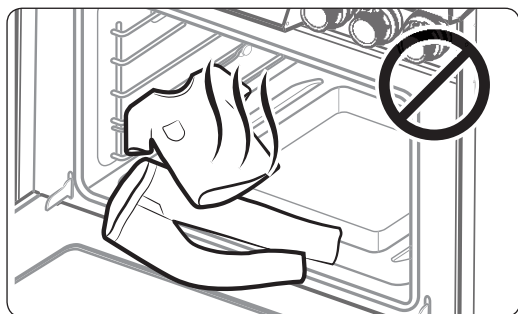
Consignes de sécurité importantes

- Pour éviter tout risque de brûlures par éclaboussures, tenez-vous à distance de sécurité lorsque vous faites frire des aliments.
- Lorsque vous faites frire des aliments, faites toujours chauffer l'huile lentement et surveillez-la à mesure qu'elle chauffe. Lorsque vous faites frire des aliments à haute température, surveillez l'huile tout au long du processus de cuisson. Si vous combinez des graisses et des huiles pour friture, mélangez-les avant de les faire chauffer.
- Utilisez un thermomètre à friture lorsque cela est possible afin d'éviter de chauffer l'huile au-delà de son point de fumée. (Assurez-vous de connaître le point de fumée de l'huile que vous utilisez.)
- Utilisez toujours une quantité minimale d'huile pour tout type de friture. Faites toujours décongeler les aliments avant de les faire frire et ne faites pas frire des aliments qui sont trop froids ou présentant des morceaux de glace dessus.
- Laissez toujours refroidir la graisse/l'huile jusqu'à la température ambiante dans le récipient avant de déplacer ce dernier.
- Pour éviter toute projection bouillante à retardement, laissez reposer l'huile/la graisse chaude au moins 20 secondes après avoir éteint le brûleur, de sorte que la température se stabilise. En cas de brûlure, effectuez les gestes de premiers secours suivants :
 1. Immergez la zone brûlée dans de l'eau froide ou tiède pendant au moins 10 minutes ;
 2. N'appliquez aucune crème, huile ou lotion ;
 3. Recouvrez-la d'un tissu propre et sec.

Sécurité liée au four

AVERTISSEMENT

Pour réduire le risque d'incendie, de choc électrique, de blessures graves voire mortelles, respectez les précautions suivantes :



- **N'utilisez pas** le four pour un usage autre que la cuisson tel que le séchage de vêtements ou le stockage. Utilisez le four uniquement pour la cuisson.

- Assurez-vous que les grilles du four sont placées au même niveau de chaque côté.
- N'endommagez, ne déplacez et ne nettoyez jamais le joint de la porte.
- Ne vaporisez pas d'eau sur le verre du four lorsque le four est allumé ou juste après l'avoir éteint.



-
- N'utilisez pas de papier aluminium ou de barquettes en aluminium dans le four. N'utilisez pas de feuille d'aluminium ou de matériau semblable pour couvrir des orifices ou des passages au bas du four ou pour couvrir une grille du four.
 - Éloignez-vous du four lorsque vous en ouvrez la porte.
 - Évitez l'accumulation de graisses dans le four.
 - Pour repositionner les grilles du four, assurez-vous que le four est complètement refroidi.
 - Ne laissez pas d'objets en plastique à l'intérieur du four.
 - Pour éviter d'endommager les boutons de commande des brûleurs ou la commande du four, assurez-vous toujours que la porte du four est fermée lorsque vous utilisez la cuisson traditionnelle et/ou la cuisson au gril.
 - Évitez de griller de la viande trop près de l'élément du gril. Retirez l'excès de gras sur la viande avant de la faire cuire.
 - Suivez toujours les recommandations du fabricant lorsque vous utilisez des sacs de cuisson ou à rôtir dans le four.
 - N'utilisez pas de nettoyeurs fortement abrasifs ou de grattoirs métalliques pointus pour nettoyer le verre de la porte de four. Ils sont susceptibles de rayer la surface et avoir comme conséquence l'éclatement en verre.

ATTENTION

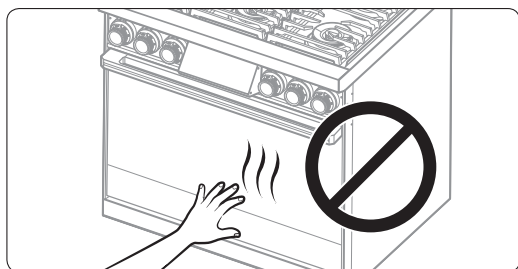
- **N'essayez pas d'utiliser le four pendant une panne de courant.**
- En cas de panne de courant, arrêtez toujours le four. Si le four n'est pas arrêté et que l'alimentation est rétablie, le four peut commencer à fonctionner à nouveau. Les aliments laissés sans surveillance peuvent s'enflammer ou s'altérer.

Consignes de sécurité importantes

Sécurité liée à l'auto-nettoyage du four

⚠ AVERTISSEMENT

Pour réduire le risque d'incendie, de choc électrique, de blessures graves voire mortelles, respectez les précautions suivantes :

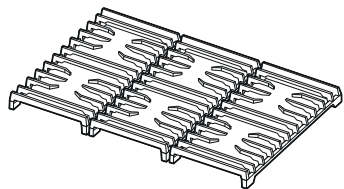


- La fonctionnalité d'auto-nettoyage porte le four à des températures suffisamment élevées pour brûler les résidus alimentaires dans le four. La cuisinière est extrêmement chaude pendant un cycle d'auto-nettoyage. **Ne touchez pas** les surfaces de la cuisinière pendant un cycle d'auto-nettoyage.

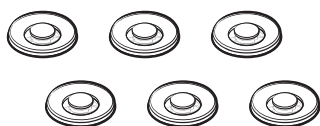
- Tenez les enfants éloignés du four pendant un cycle d'auto-nettoyage.
- Avant de démarrer un cycle d'auto-nettoyage, **retirez** toutes les grilles et ustensiles du four. Seules les grilles recouvertes de porcelaine peuvent rester dans le four pendant le cycle d'auto-nettoyage.
- Avant d'actionner le cycle d'auto-nettoyage, essuyez la graisse et les résidus alimentaires dans le four.
- Une quantité excessive de graisse peut s'enflammer, provoquant de la fumée dommageable pour votre intérieur.
- Lors de l'ouverture de la porte après un cycle d'auto-nettoyage, tenez-vous éloigné du four.
- En cas de dysfonctionnement du cycle d'auto-nettoyage, éteignez le four, coupez le disjoncteur électrique et prenez contact avec un technicien de maintenance qualifié.
- Ne laissez jamais vos oiseaux de compagnie dans la cuisine. Les oiseaux sont extrêmement sensibles à la fumée émise durant les cycles d'auto-nettoyage du four. La fumée peut être dangereuse, voire mortelle pour les oiseaux. Déplacez les oiseaux dans une pièce bien aérée.
- Aucun nettoyeur ou revêtement de protection pour four disponible dans le commerce ne doit être utilisé pour l'intérieur ou l'extérieur du four.
- Retirez les grilles en nickel du four avant de démarrer le cycle d'auto-nettoyage afin d'éviter qu'elles ne se décolorent.
- Nettoyez les projections les plus importantes avant de procéder à l'auto-nettoyage.

Caractéristiques techniques de l'appareil

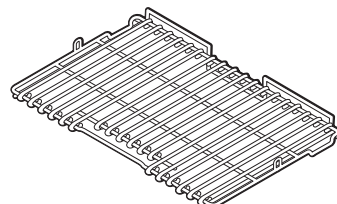
Contenu



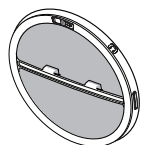
Grilles latérales (D et G) (2)
Grille centrale (1)



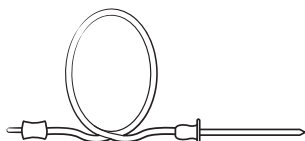
Têtes de brûleurs (6) et
chapeaux de brûleurs (6)



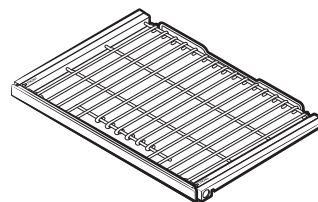
Grille plate (1)



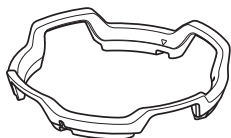
Filtre de convection (2)



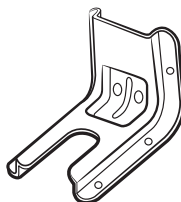
Température Sonde (1)



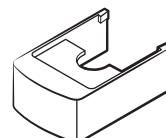
Grilles coulissantes (2)



Anneau wok (1)



Support anti-basculement (1)



Caches des pieds avant (2)

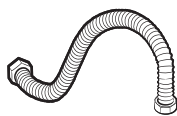
La cuisinière est livrée avec deux types de chapeaux de brûleurs (en laiton et en porcelaine) pour que le client puisse choisir ceux qu'il préfère.

Spécifications du produit

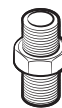
Pièces requises



Vanne de coupure de gaz



Raccord d'appareil en métal flexible de diamètre intérieur de ½ po x 5 pi



Raccord union évasé ¾ po (NPT) x ½ po (diamètre intérieur)



Coude de 135 degrés (facultatif)



Vis à bois ou boulon d'ancrage de diamètre extérieur de ½ po



Raccord union évasé ½ po (NPT) x ½ po (Diamètre intérieur)

Outils requis



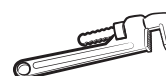
Tournevis à lame plate



Tournevis cruciforme



Clé à fourche ou clé à molette



Clé à tuyau (2)



Tournevis à douille



Crayon et règle



Niveau



Pâte à joint pour tuyau



Cutter



Solution d'eau savonneuse

Conditions d'installation

Liste de contrôle pour la pré-installation

1. Avant de préparer l'ouverture dans le plan de travail ou le meuble, vérifiez l'absence de conflit entre la cuisinière et tout élément présent dans le meuble du dessous.
2. Retirez les matériaux d'emballage, les boîtes des grilles, le régulateur avec la documentation et l'emballage de la documentation de la cuisinière et vérifiez que tous les éléments sont présents avant de commencer l'installation.

Exigences générales

Dégagements et dimensions

- Pour l'installation d'un appareil avec hotte intégrée, suivez tous les codes et règlements locaux.
- **AVANT DE COMMENCER** l'installation de cet appareil, reportez-vous aux informations suivantes, aux dimensions et aux dégagements. Ne placez pas la cuisinière à un endroit où elle serait exposée à de forts courants d'air. Maintenez une distance adéquate entre la cuisinière et les surfaces combustibles attenantes. Ces dimensions doivent être respectées afin d'assurer une utilisation de la cuisinière en toute sécurité. L'emplacement de la prise et des tuyaux du gaz peut être réglé afin de respecter les dimensions et dégagements suivants.
- La cuisinière peut être installée accolée à la paroi arrière. Dacor recommande vivement d'installer un matériau non combustible sur la paroi arrière au-dessus de la cuisinière et jusqu'à la hotte d'aspiration. Il n'est pas nécessaire d'installer des matériaux non combustibles derrière la cuisinière, en dessous de la hauteur du plan de travail. Toute ouverture dans la paroi située derrière l'appareil ou sur le sol se trouvant en dessous de celui-ci doit être rendue hermétique.
- Concernant les installations au Canada, une cuisinière non encastrable ne peut pas être installée à moins de 12 cm (4,7 po) de toute surface adjacente.

ATTENTION

Cette cuisinière a été conçue pour supporter une température maximale de 194 °F (90 °C), température maximale autorisée pour toute structure en bois. Assurez-vous que le revêtement mural, les plans de travail et les meubles voisins peuvent résister à la chaleur (jusqu'à 194 °F [90 °C]) générée par la cuisinière. Dans le cas contraire, des éléments peuvent se décolorer, se décoller ou fondre.

Conditions d'installation

Dimensions minimales

AVERTISSEMENT

Si des meubles sont utilisés en hauteur, une hotte d'aspiration assurant une protection horizontale d'au moins 5" (12,7 cm) au-delà de l'avant des meubles doit être installée.

Ceci dissipera tout risque de surchauffe dans les meubles en hauteur et évitera ainsi tout risque de blessure, d'incendie ou de mort. La hotte d'aspiration doit être faite d'une tôle plus épaisse que 0,0122". Installez la hotte au-dessus de la cuisinière avec un espacement d'au moins 1/4" entre la hotte et la face inférieure de la matière combustible ou d'un meuble en métal. La hotte doit être au moins aussi large que l'appareil et centrée au-dessus de celui-ci. L'espacement entre la surface de cuisson et la hotte d'aspiration ne doit jamais être inférieure à 610 mm (24 pouces).

Cas particulier : L'installation au-dessus de la cuisinière d'un four à micro-ondes ou d'un autre appareil de cuisson répertorié doit être conforme aux instructions d'installation de cet appareil.

- Espacement minimum de 30 po (76,2 cm) entre le haut de la surface de cuisson et le bas d'un meuble en bois ou en métal non protégé ; ou un espacement minimum de 24 po (61 cm) lorsque que le bas du meuble en bois ou en métal est protégé par un carton pâte ignifugeant d'au moins 0,25 po (0,64 cm), recouvert par une feuille d'acier correspondant au moins à la norme n° 28 MSG, d'acier inoxydable de 0,015 po (0,038 cm), d'aluminium de 0,024 po (0,061 cm) ou de cuivre de 0,020 po (0,051 cm).
- 18" (45,7 cm) minimum entre le plan de travail et le dessous du meuble adjacent.
- Pour une installation isolée, maintenez au moins 2 1/2" entre la découpe et l'arête arrière du plan de travail et au moins 4" entre la découpe et les arêtes latérales du plan de travail.

Dimensions de l'appareil

REMARQUE

Tolérances de l'appareil : $\pm 1/16"$ ($\pm 1,6$ mm)

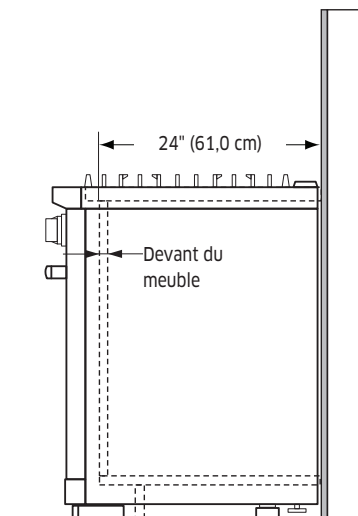
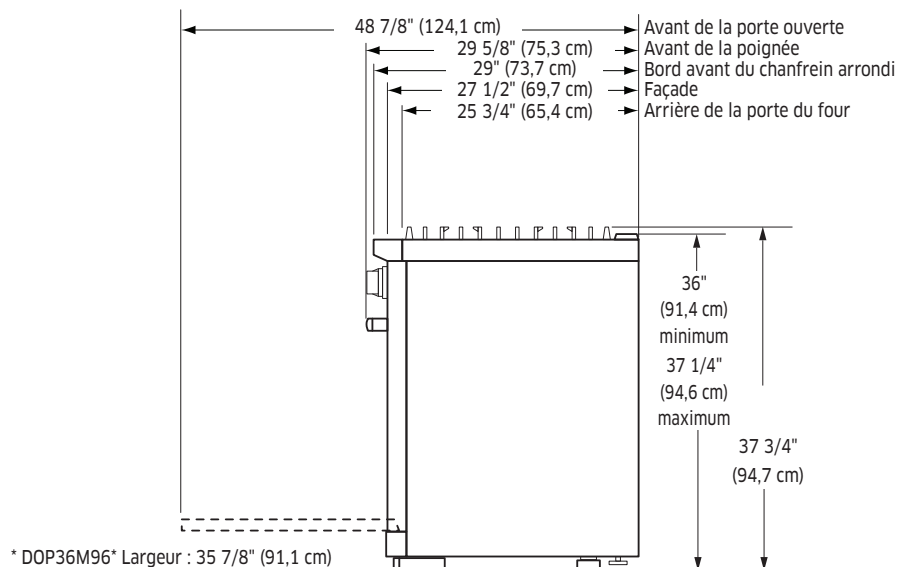


Illustration de la cuisinière installée
(Vue de côté)

Conditions d'installation

Conditions d'installation

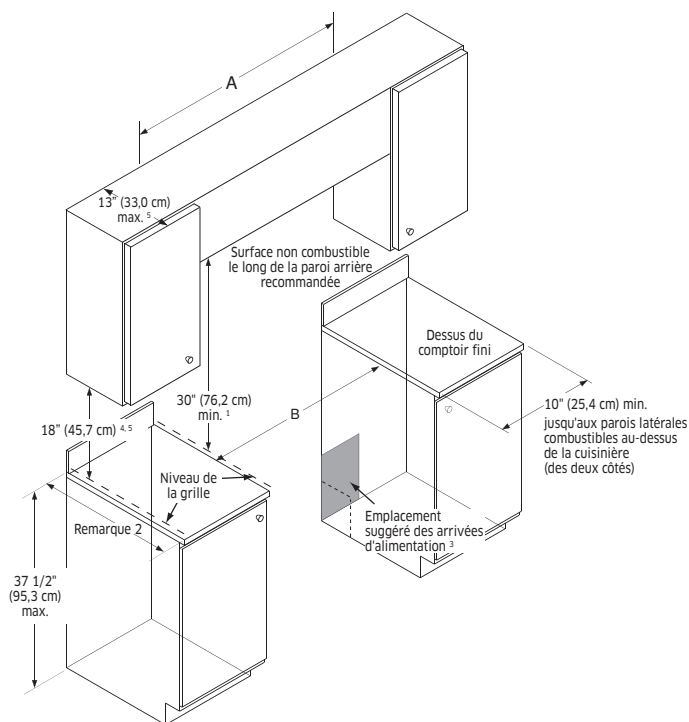
Dimensions du meuble

- Toutes les dimensions maximales et minimales ainsi que les dégagements figurant sur le schéma ci-dessous doivent être respectés pour assurer un fonctionnement en toute sécurité.
- Vérifiez que le site d'installation de la cuisinière est éloigné de tout type de courant d'air.
- Afin de réduire les risques d'incendie et de blessures, les placards doivent être installés au-dessus de la cuisinière. Si ces placards sont indispensables, installez une hotte d'aspiration qui dépasse de 5" (12,7 cm) à l'avant de ces placards.

DIMENSIONS DU RENFORCEMENT		
Modèle de cuisinière	A	B
DOP36M96*	42" (106,7 cm)*	36" (91,4 cm)**
	36" (91,4 cm)**	36 1/8" (91,7 cm)***

* Recommandé ** Minimum ***Maximum

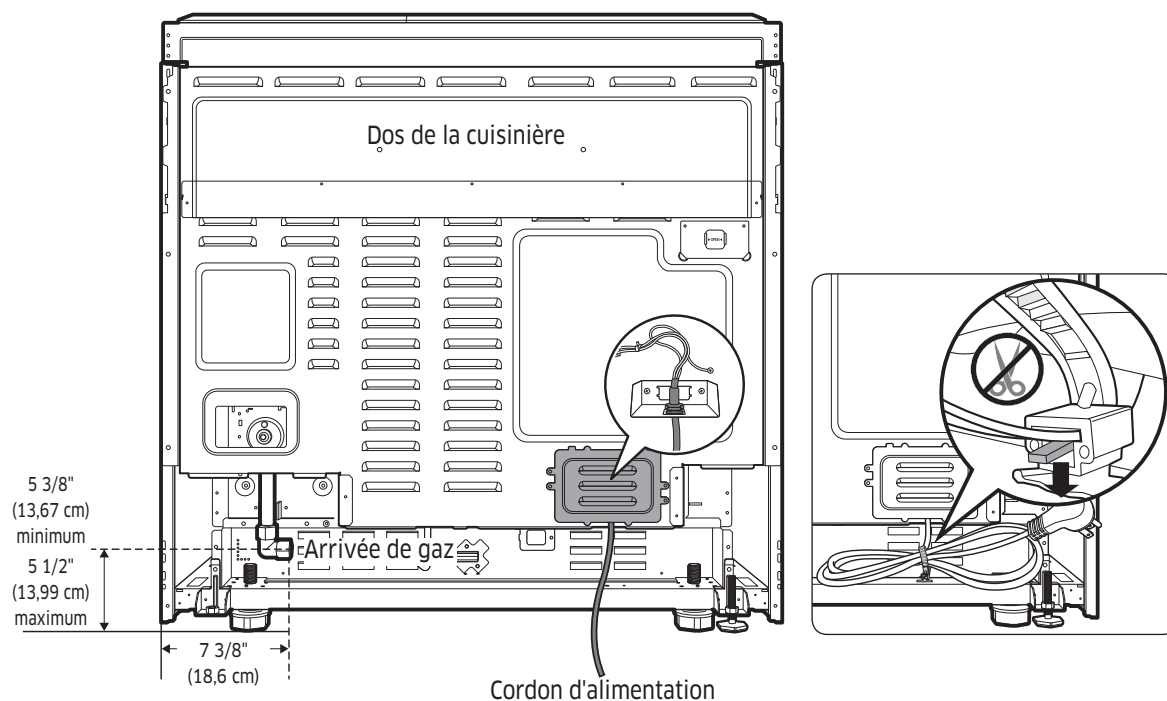
Renforcement standard avec hotte d'aspiration



- 1 Verticale du niveau de la grille de la cuisinière jusqu'à la surface combustible au dessus de la tête ; en cas d'installation d'une hotte d'aspiration suspendue, vérifiez également les caractéristiques techniques de la hotte concernant les dégagements minimum requis.
- 2 La profondeur du meuble/plan de travail est à la discrétion du client mais le devant du meuble NE DOIT PAS dépasser l'arrière du panneau avant. Reportez-vous aux dimensions de l'appareil.
- 3 Consultez le code local pour connaître les exigences d'emplacement exactes.
- 4 Verticale du niveau de la grille jusqu'à la surface combustible.
- 5 Ces caractéristiques techniques ne s'appliquent pas aux meubles dont la distance horizontale par rapport au bord de la cuisinière est supérieure à 10" (25,4 cm).

Conditions d'emplacement

DOP36M96*



¹ Mesure avec les pieds de l'appareil réglés à la hauteur la plus basse.

² La taille de trou pour le câblage électrique peut être augmentée à 1 1/8" (2,9 cm) en retirant le support de conduit en bas du coffret électrique de la cuisinière.

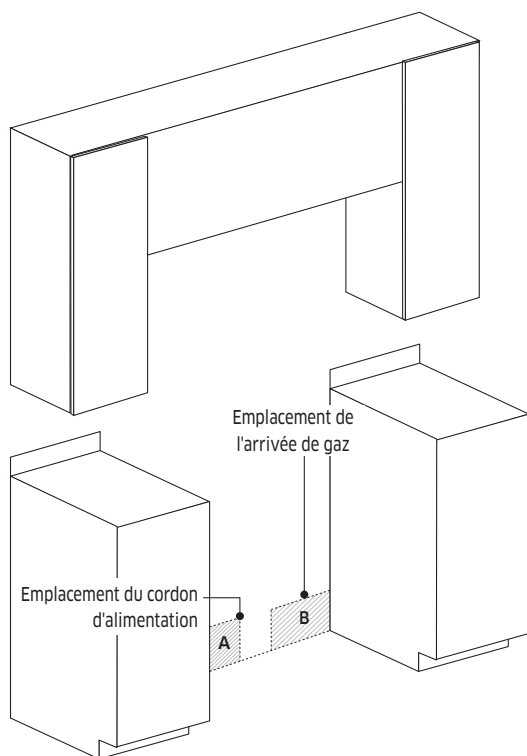
REMARQUE

Avant le branchement, notez qu'un collier de serrage à l'arrière de l'appareil comporte un levier qui permet de dénouer le câble d'alimentation. Pour défaire le nœud, ne le coupez pas. À la place, utilisez le levier pour défaire le nœud.

Conditions d'installation

Arrivées de gaz et d'électricité

- Les points noirs sur le graphique ci-dessous représentent les emplacements recommandés pour l'arrivée de gaz et la prise d'alimentation. Les arrivées d'alimentation existantes peuvent être utilisées si elles n'interfèrent pas avec l'installation de la cuisinière. Consultez les codes locaux de construction pour les emplacements autorisés de la vanne de gaz.
- Une vanne de coupure manuelle externe doit être installée entre l'entrée de gaz et la cuisinière, afin que l'alimentation en gaz de la cuisinière puisse être coupée. L'installation doit permettre :
 - d'accéder à la vanne de coupure de gaz lorsque l'appareil est installé ;
 - d'accéder au panneau du disjoncteur à distance/à la boîte à fusibles, une fois la cuisinière en place.
- Les tuyaux d'arrivée de gaz et la vanne de coupure, ainsi que la boîte de jonction/prise électrique doivent se trouver à un endroit n'interférant pas avec la cuisinière lorsque celle-ci est installée.
- La boîte de jonction et la vanne de coupure de gaz doivent se trouver à un endroit rendant possible de tirer la cuisinière pour la sortir et faire une réparation, tout en gardant l'appareil raccordé.



Modèle	DOP36M96*
A	Cordon d'alimentation 9 ⁷ / ₈ " (W) X 6 ⁹ / ₈ " (H) (25,1 cm x 17,5 cm)
B	Arrivée de gaz 17 ¹⁵ / ₁₆ " (W) X 5 ³ / ₈ " (H) (45,5 cm x 13,8 cm)

Exigences en matière de gaz

Assurez une arrivée de gaz adéquate.

Cette cuisinière a été conçue pour fonctionner sous une pression de 13 cm (5 po) de colonne d'eau au gaz naturel ou de 25 cm (10 po) de colonne d'eau au GPL (propane ou butane).

Assurez-vous d'alimenter votre cuisinière avec le type de gaz pour lequel elle a été conçue.

N'essayez pas de remplacer le gaz de l'appareil spécifié dans ce manuel par un gaz différent sans consulter votre fournisseur de gaz.

Cette cuisinière est convertible pour une utilisation au gaz naturel ou au gaz propane. Si vous décidez d'utiliser la cuisinière au GPL, la conversion doit être effectuée par un installateur de GPL qualifié avant d'essayer de faire fonctionner l'appareil. (kit de conversion : 703850)

Pour un bon fonctionnement, la pression de gaz naturel fourni au régulateur doit se situer entre 13 in et 33 cm (5 po et 13 po) de colonne d'eau.

Pour le GPL, la pression fournie doit être comprise entre 25 cm et 33 cm (10 po et 13 po) de colonne d'eau.

Lors de la vérification du bon fonctionnement du régulateur, la pression d'entrée doit être d'au moins 2,5 cm (1 po) supérieure à celle du fonctionnement (répartiteur), comme indiqué.

Le régulateur de pression situé à l'entrée du répartiteur de la cuisinière doit rester dans le circuit d'alimentation, peu importe si du gaz naturel ou du GPL est utilisé.

Un raccord d'appareil en métal souple, utilisé afin de brancher la cuisinière au tuyau d'arrivée de gaz, devrait avoir un diamètre intérieur de 1,3 cm (0,5 po) et être long de 152 cm (5 pieds), pour une installation plus simple. Au Canada, les raccords souples doivent être des raccords en métal à simple paroi, pas plus longs que 183 cm (6 pieds).

Ne nouez et n'endommagez pas la tubulure en métal souple lorsque vous déplacez la cuisinière.

REMARQUE

- La table de cuisson dispose de son propre régulateur. Utilisez uniquement le régulateur fourni qui doit être installé sur le tuyau de gaz qui part de l'arrivée de gaz de la table de cuisson et va jusqu'à la vanne de coupure du gaz.
- Une vanne de coupure manuelle externe doit être installée entre l'entrée de gaz et la table de cuisson, dans le but d'ouvrir ou de fermer l'alimentation en gaz de l'appareil.
- Assurez-vous que les connecteurs sont installés par un installateur qualifié.
- Pour un nouvel appareil, n'installez jamais de connecteurs usagés pouvant provoquer des fuites de gaz ou des blessures corporelles. Utilisez uniquement des connecteurs neufs et flexibles.

Conditions d'installation

Exigences spéciales en matière d'alimentation en gaz (modèles au gaz vendus dans le Massachusetts)

EXIGENCES DU COMMONWEALTH DU MASSACHUSETTS :

AVERTISSEMENT

- Des fuites de gaz peuvent se produire dans votre système, provoquant une situation dangereuse.
 - Les fuites de gaz peuvent ne pas être détectées seulement par l'odeur.
 - Les fournisseurs de gaz recommandent d'installer un détecteur de gaz approuvé UL conforme aux spécifications des fabricants.
- La cuisinière doit être installée par un plombier ou un monteur d'installations au gaz qualifié par l'État du Massachusetts.
- Une vanne de gaz manuelle munie d'une poignée en T DOIT être installée sur le tuyau d'arrivée de gaz de votre appareil.
- Si un raccord de gaz flexible est utilisé pour l'installation de votre table de cuisson, il ne faut alors pas brancher plusieurs canalisations de gaz flexibles en série.

Exigences en matière de raccordement électrique

- Le non-respect de ces consignes peut entraîner un incendie ou une électrocution et avoir des conséquences mortelles.

AVERTISSEMENT

- Il relève de la responsabilité du propriétaire de s'assurer que l'alimentation électrique respecte les exigences en matière de raccordement électrique et que la prise électrique a été correctement installée par un électricien certifié.
- Pour réduire le risque d'incendie, de décharge électrique ou de tout autre dommage corporel :

Toutes cuisinières

- N'utilisez pas de rallonge ou de fiche intermédiaire avec cette cuisinière.
- Cet appareil doit être correctement relié à la terre.
- Consultez un électricien qualifié si vous avez un doute quant à la mise à la terre et à la polarisation appropriées de votre cuisinière.
- N'altérez pas la fiche électrique de la cuisinière. Si elle n'est pas adaptée à la prise, faites-en installer une par un électricien qualifié.
- Le câblage et la mise à la terre doivent être conformes aux codes locaux ou, en l'absence de ceux-ci, avec le Code National Électrique, ANSI/NFPA n° 70 - dernière édition (pour les États-Unis) ou avec le Code Électrique Canadien CSA C22.1 - dernière édition et dernières révisions.
- Le schéma de câblage se trouve à l'arrière de la cuisinière.
- Le système d'allumage électronique de la cuisinière ne fonctionnera pas si la prise n'est pas correctement polarisée.
- Il est recommandé d'utiliser un disjoncteur dédié.
- Ce tableau indique la protection minimale recommandée pour le circuit dédié.

Valeur nominale en KW (120 V)	Taille recommandée de circuit (dédié)
0 à 7,2 KW	10 A

Consignes d'installation

Préparation à l'installation

AVERTISSEMENT

- Si l'alimentation en gaz ou en électricité ne satisfait pas les caractéristiques techniques de l'appareil, ne continuez pas l'installation. Appelez le revendeur, le fournisseur de gaz ou un électricien certifié.
- Avant d'installer la cuisinière, vous devez repérer et fixer le support anti-basculement sur le sol.

Déballage de la cuisinière

Déballer la boîte de pièces et vérifiez que tous les composants nécessaires ont été fournis. Si un quelconque élément est manquant ou endommagé, veuillez prendre immédiatement contact avec votre revendeur. N'installez jamais un appareil endommagé ou incomplet.

Installation du dispositif anti-basculement

AVERTISSEMENT

- Pour réduire le risque de basculement, l'appareil doit être sécurisé à l'aide des dispositifs anti-basculement correctement installés, fournis dans l'emballage.
- Toute cuisinière peut basculer, provoquant des blessures.
- Le basculement d'une cuisinière peut provoquer des brûlures dues aux projections, des blessures et/ou des accidents mortels.
- Afin d'éviter un basculement accidentel, installez et vérifiez le support anti-basculement en suivant les consignes et le modèle fournis avec le support.

Conversion en GPL (facultatif)

Toutes les nouvelles cuisinières à gaz partent d'usine prêtes à fonctionner au gaz naturel. Cette cuisinière à gaz Dacor peut être convertie afin de fonctionner au GPL. Reportez-vous à la page 78 du manuel d'utilisation pour contacter un technicien qualifié.

Le processus de conversion doit uniquement être exécuté par un installateur de GPL qualifié.

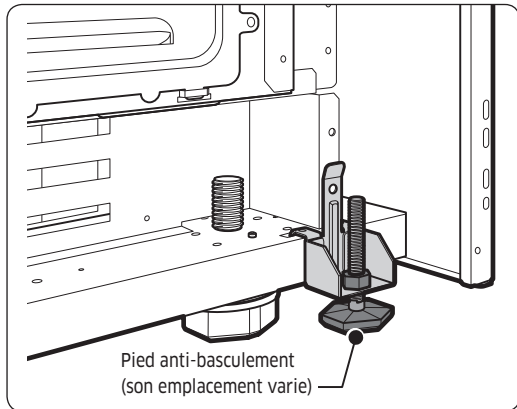
Les consignes de conversion et les entrées pour le GPL seront fournies avec le kit de conversion.

La conversion en GPL requiert le changement de tous les orifices des brûleurs (5 brûleurs de surface et 2 brûleurs du four).

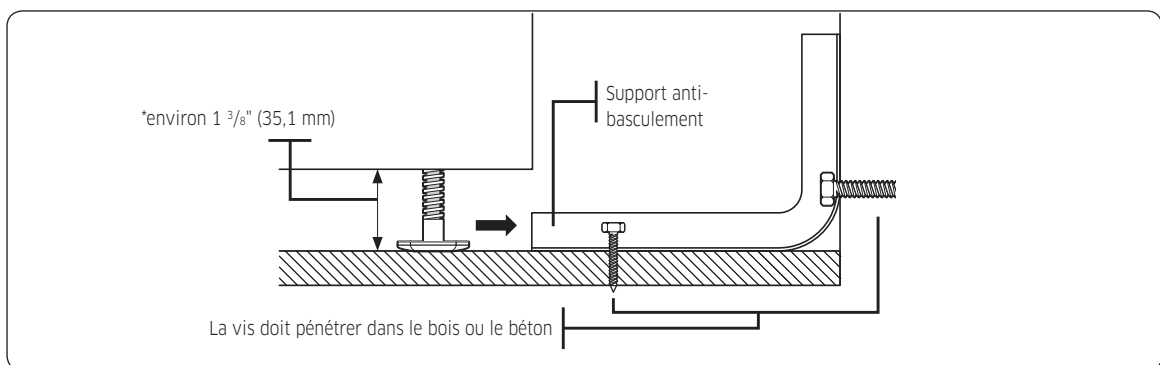
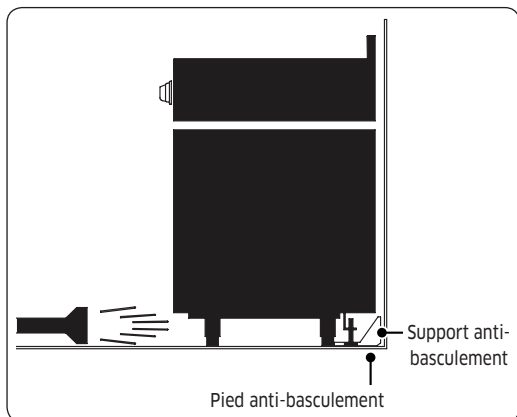
De plus, le gicleur du régulateur de la pression de gaz doit être renversé. Tous les orifices ayant été remplacés doivent être laissés au client, comprenant les consignes, les dimensions améliorées et les indications des orifices.

DIMENSIONS DES ORIFICES DU BRÛLEUR ET PUISSANCE DE SORTIE (GPL [propane] 10 dans WCP)		
Emplacement du brûleur	Taux BTU	Taille de l'orifice [mm]
AvG	16500	Entrée : 0,46 / Sortie : 0,78 x 2
ArG	14500	Entrée : 0,46 / Sortie : 0,74 x 2
AvD	16500	Entrée : 0,46 / Sortie : 0,78 x 2
ArD	14500	Entrée : 0,46 / Sortie : 0,74 x 2
AvC	14500	1,12
ArC	14500	1,12
Broil (Cuisson au gril)	14500	0,79 x 2
Bake (Cuisson traditionnelle)	23000	1,4

Consignes d'installation



Un support et des vis anti-basculement, des consignes d'installation et un gabarit de montage sont livrés avec chaque cuisinière (réf. 114475). Les consignes comprennent des informations nécessaires pour terminer l'installation du support anti-basculement. Lisez et suivez les consignes de la feuille et utilisez le modèle pour l'installation du support anti-basculement. Si le support n'est pas correctement installé, le fait que quelqu'un marche, s'assoit ou s'appuie contre la porte ouverte du four pourrait faire basculer la cuisinière.



REMARQUE

Desserrez le pied de mise à niveau pour installer le support anti-basculement. Un dégagement minimum de 1 ³/₈" (35,1 mm) est nécessaire entre le dessous de la cuisinière et le sol de la cuisine.

Afin de vérifier si le support est installé et engagé correctement, retirez le panneau décoratif et regardez sous la cuisinière pour vérifier que le pied de mise à niveau est bien engagé dans le support. Inclinez avec précaution la cuisinière en avant. Le support devrait arrêter la cuisinière à moins de 10,2 cm (4 pouces) d'inclinaison. Si ce n'est pas le cas, le support doit être réinstallé.

Si, pour une quelconque raison, la cuisinière est retirée du mur, répétez toujours cette procédure pour vérifier que celle-ci est correctement fixée par le support anti-basculement. Ne démontez jamais complètement les pieds de mise à niveau ou la cuisinière ne serait pas fixée correctement au dispositif anti-basculement.

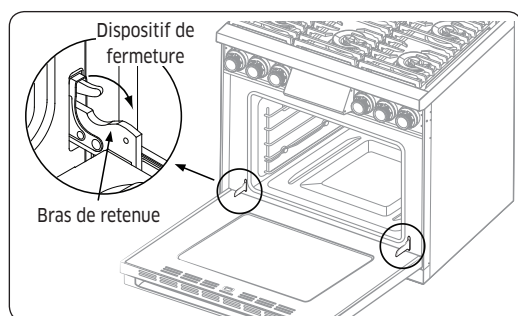
Retrait de la porte du four

AVERTISSEMENT

- N'essayez pas de désengager les dispositifs de fermeture des charnières lorsque la ou les portes sont retirées de la cuisinière. Les ressorts des charnières pourraient lâcher et provoquer des blessures corporelles.
- Ne soulevez et ne portez pas la ou les portes du four par la poignée.

REMARQUE

Pour déplacer plus facilement la cuisinière, retirez la ou les portes afin de réduire le poids.

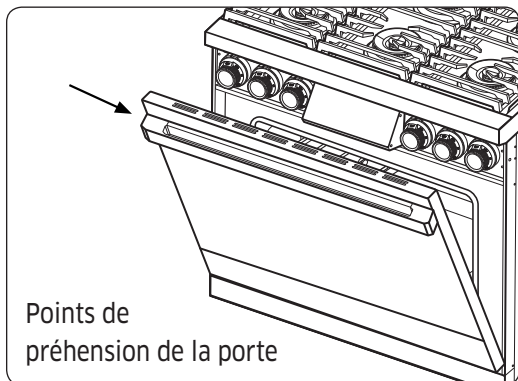


1. Ouvrez la porte au maximum.
2. Utilisez une pince à bec fin ou un tournevis à tête plate pour tourner le dispositif de fermeture par-dessus le bras de retenue sur chaque charnière.

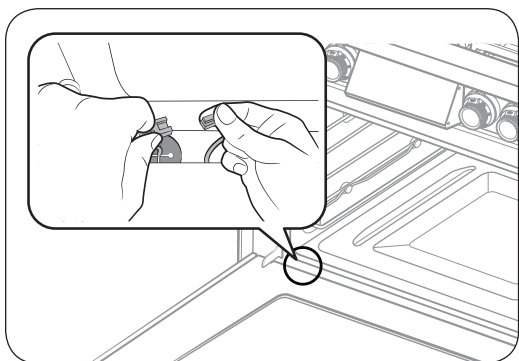
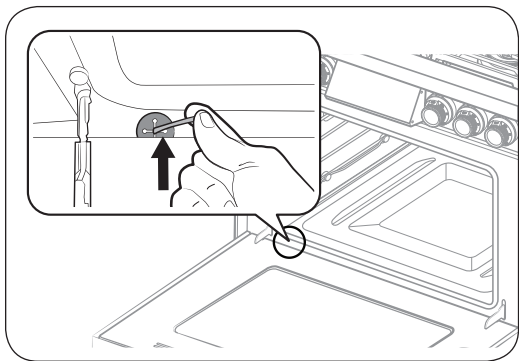
REMARQUE

Lors du retrait de la porte, débranchez le câble situé dans le coin inférieur gauche de la porte afin d'éviter de l'endommager.

Consignes d'installation



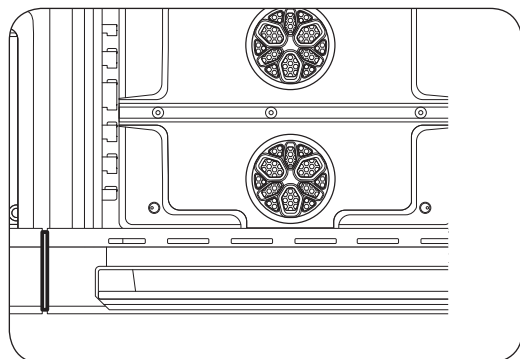
3. Soulevez la porte du four à un angle d'environ 15° par rapport à la position verticale.
4. Tenez la porte à deux mains juste en dessous de la poignée et tirez-la à l'écart du four.



Raccordement électrique

ATTENTION

Pour votre propre sécurité, n'utilisez pas de rallonge avec cet appareil. Retirez le fusible de l'installation électrique ou ouvrez le disjoncteur avant de démarrer l'installation.



Cet appareil doit être alimenté par la fréquence, la polarisation et la tension adaptées. Il doit également être branché sur un circuit individuel correctement mis à la terre et protégé par un disjoncteur ou un fusible dont l'ampérage est conforme à celui spécifié sur la plaque signalétique de l'appareil. La plaque signalétique est située à l'intérieur de chaque panneau latéral recouvrant la porte du four.

Nous vous recommandons de confier le câblage et le branchement électriques de votre cuisinière à un électricien qualifié. Une fois l'installation effectuée, demandez à l'électricien de vous montrer l'emplacement de débranchement principal de votre cuisinière.

Vérifiez auprès de votre service public les codes électriques s'appliquant à votre zone. Le non-respect des codes obligatoires pour le branchement de votre four peut s'avérer dangereux. S'il n'existe pas de codes locaux, votre cuisinière doit être branchée conformément aux exigences du Code national électrique, ANSI/NFPA N° 70 (dernière édition). Vous pouvez en obtenir une copie en adressant un courrier à :

National Fire Protection Association
Batterymarch Park
Quincy, MA 02269

Consignes d'installation

Raccordement au gaz

AVERTISSEMENT

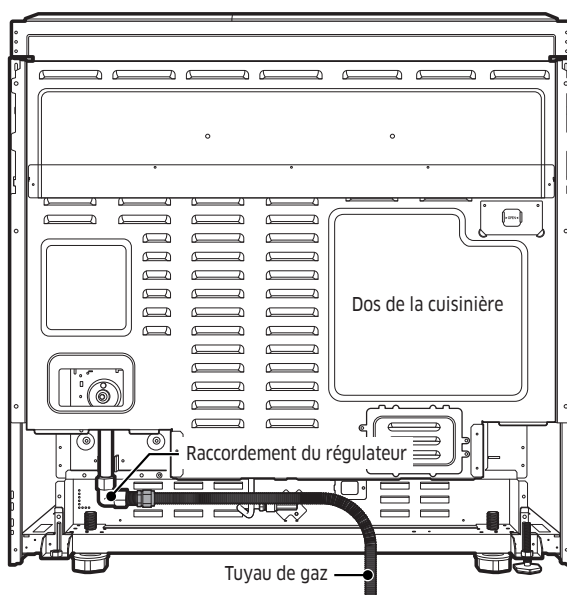
- Assurez-vous que la vanne d'alimentation en gaz est coupée et que l'alimentation électrique de la cuisinière est désactivée sur le disjoncteur ou la boîte à fusibles avant de raccorder le tuyau de gaz.
- Ne serrez pas trop les raccords au gaz et les fixations.
- N'utilisez pas de ruban en téflon ou de mastic de plombier sur les raccords de tuyaux de gaz flexibles.
- La pression maximale d'alimentation en gaz sur le régulateur ne doit jamais dépasser 1/2 livre par pouce carré (psi), soit 3,5 kPa.
- La cuisinière et la vanne de coupure doivent être débranchées des conduits d'alimentation en gaz pendant tout test de pression dépassant 1/2 psi (3,5 kPa).
- La cuisinière doit être isolée des conduits d'alimentation en gaz en fermant la vanne de coupure pendant tout test de pression à ou en dessous de 1/2 psi (3,5 kPa).
- Conformément aux instructions, vérifiez l'absence de fuites au niveau de tous les tuyaux de gaz afin d'éviter tout risque d'incendie ou d'explosion. N'utilisez pas de flamme pour vérifier s'il y a des fuites.

REMARQUE

Le régulateur de pression de gaz est préréglé en usine pour le type de gaz prévu d'être utilisé avec l'appareil. Pour vérifier si l'appareil est compatible avec le type de gaz disponible, consultez l'étiquette signalétique de la cuisinière (reportez-vous en page 6 pour savoir où la trouver). Adressez-vous à votre revendeur si la cuisinière n'est pas compatible avec le type de gaz disponible pour alimentation.

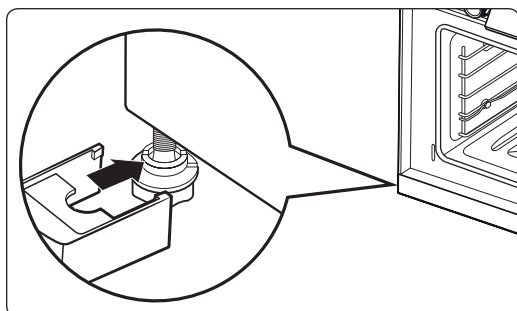
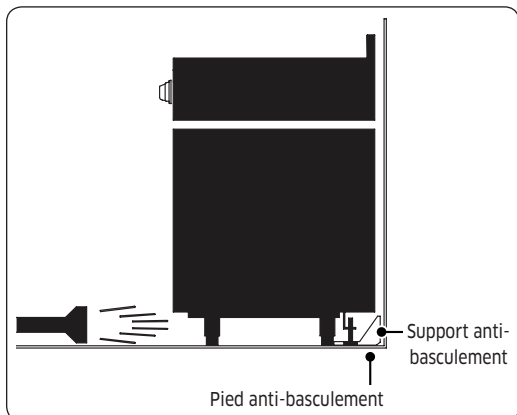
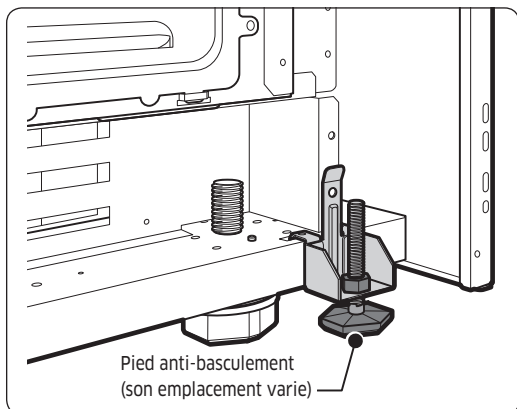
Avant de glisser la cuisinière dans le meuble :

1. Assurez-vous que la vanne d'alimentation en gaz est en position de coupure et que l'alimentation électrique de la cuisinière est désactivée.
2. Raccordez le tuyau flexible d'alimentation en gaz à la vanne de coupure du gaz précédemment installée sur la sortie de l'embase. Le tuyau de gaz doit être suffisamment long pour pouvoir tirer la cuisinière à des fins d'entretien sans devoir la débrancher.
3. Faites glisser le tuyau de gaz vers le haut à travers les trous d'accès dans le châssis et ce jusqu'au régulateur. Bougez les câbles à l'intérieur des trous d'accès afin d'éviter qu'ils ne percutent le tuyau de gaz lorsque vous le poussez vers le haut.
4. Raccordez le tuyau de gaz au régulateur.
5. Tournez toutes les vannes de commande de la table de cuisson sur la position « DÉSACTIVATION ». Ouvrez l'alimentation en gaz.
6. Vérifiez l'absence de fuites au niveau des tuyaux et raccords à l'aide d'une solution d'eau savonneuse.
7. Après avoir vérifié qu'il n'y a pas de fuites de gaz, tournez la vanne d'alimentation en gaz raccordée à la cuisinière sur la position « DÉSACTIVATION ».

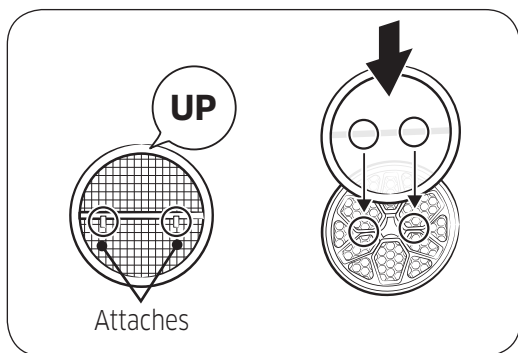


Consignes d'installation

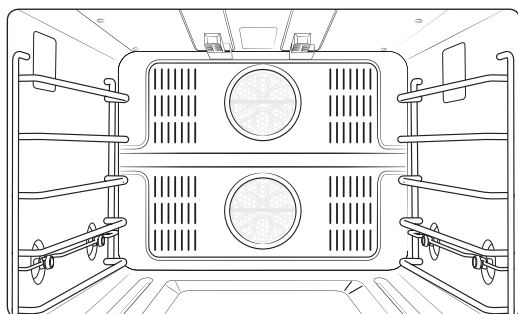
Installation finale



1. Enlevez le revêtement de protection de la cuisinière, notamment celui de la porte.
2. Prenez la mesure du sol jusqu'au plan de travail. Ajustez les pieds de mise à niveau selon vos besoins de sorte de positionner l'ornement autour de la table de cuisson dans l'alignement avec ou au-dessus du plan de travail.
3. Pour installer le support anti-basculement, desserrez le pied de mise à niveau à l'aide d'une clé à tuyau car du Loctite a été appliqué sur le boulon afin d'éviter un déverrouillage dû aux vibrations. Repérez le pied anti-basculement situé à l'arrière de la cuisinière et abaissez-le (en le tournant) jusqu'à ce qu'il soit à 1/16" (2 mm) au-dessus du sol.
4. Glissez prudemment la cuisinière en position dans le renforcement. Le pied anti-basculement doit s'engager dans le support anti-basculement. À l'aide d'une lampe de poche, regardez sous la cuisinière et vérifiez que le support recouvre le pied anti-basculement.
5. Utilisez un niveau pour vous assurer que la cuisinière n'est pas bascule d'avant en arrière ou de droite à gauche. Réajustez les pieds pour mettre la cuisinière de niveau et modifiez la hauteur si nécessaire.
6. Une fois la cuisinière installée et mise de niveau, installez les caches des pieds avant (à gauche et à droite).



7. Assemblez les filtres de convection dans les trous du ventilateur supérieur et inférieur. Déterminez le bon côté du filtre en localisant le terme « UP » sur le filtre. Puis, accrochez délicatement les attaches métalliques à l'arrière du filtre sur la barre métallique à travers le trou du ventilateur.



Consignes d'installation

Réinstallation de la ou des porte(s) du four

⚠ AVERTISSEMENT

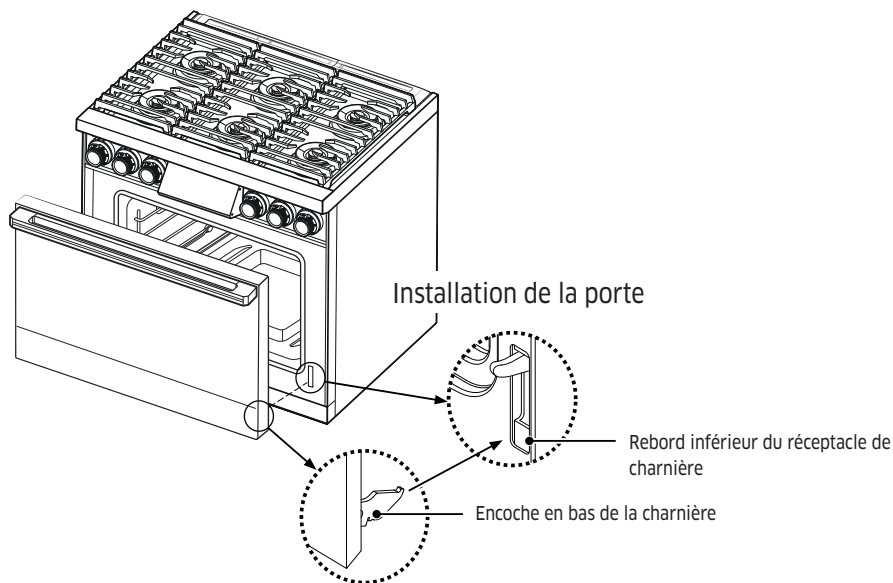
Pour éviter de vous blesser ou d'endommager la porte en cas de chute de ses charnières :

- Assurez-vous que l'encoche en bas de chaque charnière repose par-dessus le rebord inférieur de chaque réceptacle de charnière avant d'essayer d'ouvrir la porte du four.
 - Tournez les verrous de charnière vers l'avant de la cuisinière juste après l'installation de la porte.
1. Attrapez la porte du four sur les côtés opposés et tenez-la à un angle de 15° par rapport à l'avant du four. Glissez les charnières dans les ouvertures de charnière, en faisant reposer le bas des bras de charnière sur les réceptacles de charnière. Continuez à tenir la porte à un angle de 15° avec une main, tout en poussant vers l'intérieur chacun des angles inférieurs de la porte. Poussez jusqu'à ce que l'encoche en bas de chaque charnière glisse par-dessus le rebord inférieur de chaque réceptacle de charnière.

📄 REMARQUE

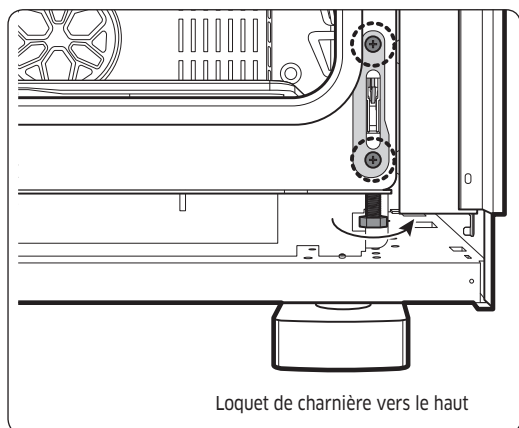
Connectez les câbles dans le coin inférieur droit de la porte.

2. Abaissez la porte en position entièrement ouverte.
3. Tournez les deux verrous de charnière en direction du four.
4. Lentement et prudemment, ouvrez et fermez complètement la porte afin de vérifier qu'elle est correctement installée.
5. Retirez tout élément d'emballage présent à l'intérieur du ou des fours.



Ajustement de la porte

Après avoir réinstallé les portes du four, assurez-vous que ces dernières sont parallèles et au même niveau. Il y a 2 boulons autour du four vapeur, en dessous de la charnière de chaque porte. Les deux boulons inférieurs permettent d'ajuster la porte vers le haut et le bas.



Ajuster la porte vers le haut et le bas

1. Retirez la porte ainsi que les 2 vis sur le loquet de la charnière de la porte.
2. Tournez le boulon en dessous de chaque loquet de la charnière de la porte.
3. Après avoir ajusté le loquet de la charnière de la porte, resserrez les 2 vis.
4. Réinstallez la porte.

REMARQUE

Si vous soulevez trop le loquet de la charnière de la porte, il devient difficile de serrer les deux vis.

Assurez-vous que le loquet de la charnière de la porte est solidement fixé après l'ajustement.

Consignes d'installation

Installation des boutons pour les brûleurs de surface

⚠ AVERTISSEMENT

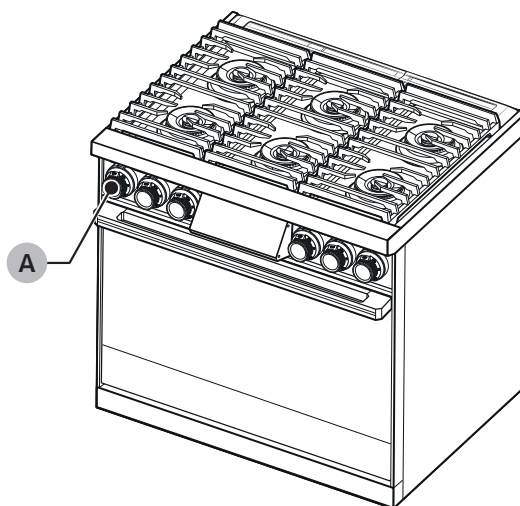
Installer les boutons de la cuisinière dans la mauvaise position risque d'endommager le gril fourni avec la cuisinière. Les boutons pour les brûleurs centraux sont marqués avec les réglages de gril maximum.

📄 REMARQUE

Lors de l'installation des boutons, alignez l'ouverture en forme de « D » à l'arrière du bouton avec l'extrémité de l'axe de la vanne. Poussez prudemment le bouton jusqu'en butée.

Les boutons fournis avec la cuisinière sont tous identiques.

1. Placez le bouton sur la position A.

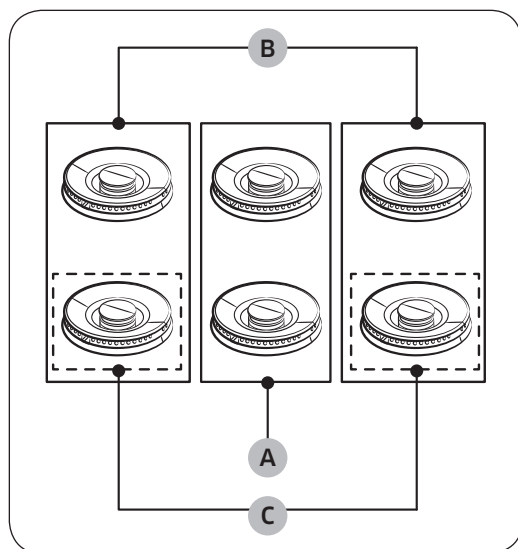


Assemblage de la table de cuisson

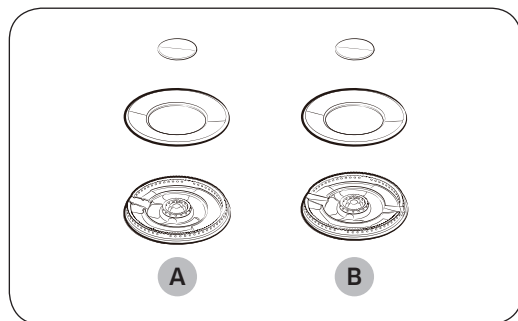
Assemblage des brûleurs de la table de cuisson

⚠ ATTENTION

- Ne faites pas fonctionner les brûleurs de la table de cuisson si toutes les pièces de ceux-ci ne sont pas en place.
- N'actionnez aucune commande de la table de cuisson lorsque vous retirez le brûleur, une petite décharge électrique risquerait de se produire et de vous faire tomber sur les récipients bouillants.
- Ne retirez pas le dessus d'un brûleur et ne touchez pas l'électrode d'un brûleur pendant qu'un autre brûleur est allumé, vous risqueriez de provoquer une décharge électrique.



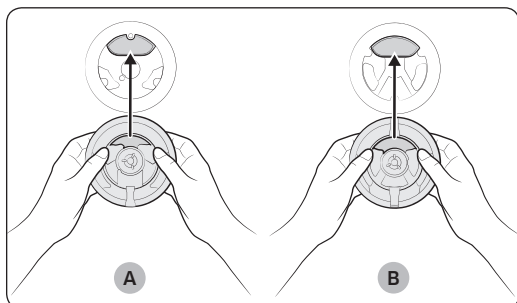
1. Posez les têtes des brûleurs sur les bases des brûleurs, comme indiqué à gauche. (Les électrodes sont adaptées à la fente se trouvant sous les têtes de brûleurs.) Les têtes doivent être plates et parallèles à la table de cuisson.
2. Placez ensuite les chapeaux de tailles correspondantes par-dessus chaque tête des brûleurs de la table de cuisson.



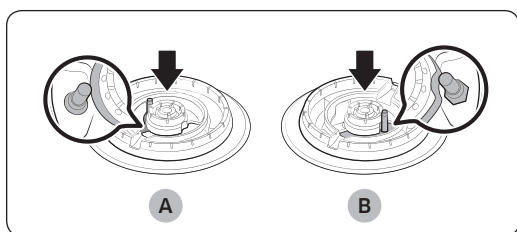
- A. Unique
B. Double
C. Laiton

Consignes d'installation

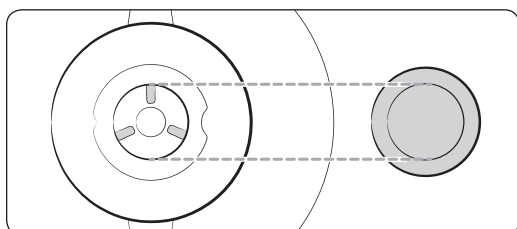
Têtes/chapeaux des brûleurs



1. Orientez la tête du brûleur afin que l'ouverture pour l'électrode soit alignée avec l'électrode.



2. Installez la tête du brûleur de façon à ce que l'électrode passe à travers son ouverture au niveau de la tête. Assurez-vous que la tête du brûleur porte bien à plat sur le dessus de la cuisinière.



3. Faites correspondre les chapeaux des brûleurs avec les brûleurs par taille, puis réinstallez les chapeaux sur les têtes des brûleurs.

A. Unique
B. Double

Installation des grilles

REMARQUE

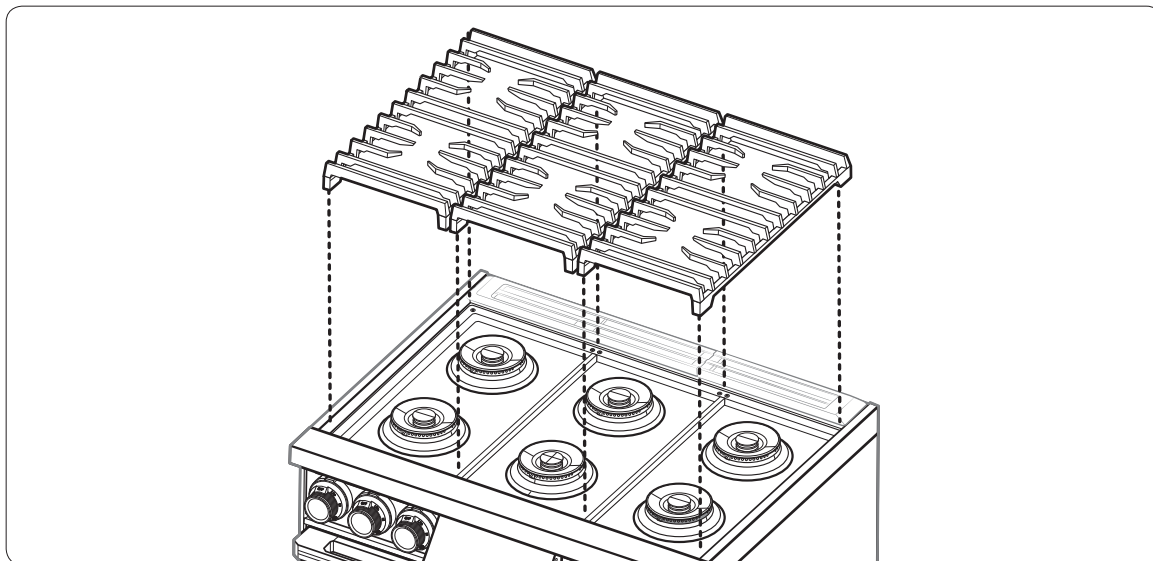
Pour obtenir de meilleurs résultats, une durée de vie plus longue, installez les grilles en suivant les consignes ci-dessous. Lorsqu'elles sont installées correctement, les ouvertures sur les grilles sont centrées par-dessus les brûleurs.

Les grilles se placent à des endroits spécifiques sur la table de cuisson. Pour une stabilité maximale et un fonctionnement sécurisé, ces grilles doivent être utilisées uniquement à leurs emplacements appropriés.

L'arrière de la grille droite possède une encoche pour vous aider à orienter correctement les grilles. (Voir l'image ci-dessous.)

Pour placer correctement les grilles :

1. Trouvez l'encoche à l'arrière droit de la grille et orientez la grille sur les brûleurs droits.
2. Abaissez délicatement la grille arrière droit de sorte que ses pieds se placent dans les orifices correspondants de la table de cuisson.
3. Placez les grilles restantes de sorte que leurs pieds se logent dans les orifices correspondants.



REMARQUE

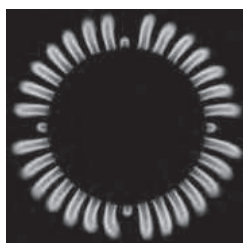
Les grilles ne sont pas interchangeables. Chaque grille a sa position (gauche, centre ou droite) formée dans le métal de la partie inférieure de la grille.

Consignes d'installation

Vérification du bon fonctionnement

Avant d'utiliser la cuisinière, lisez intégralement le manuel d'utilisation et d'entretien fourni. Il contient des informations importantes relatives à la sécurité, l'entretien et la garantie.

1. Avant de commencer la procédure de test, assurez-vous que toutes les vannes de commande de la table de cuisson sont en position **DÉSACTIVATION** et que tous les anneaux des brûleurs, chapeaux de brûleur et grilles sont correctement positionnés sur le cadre de la table de cuisson.
2. Ouvrez l'alimentation en gaz sur la vanne de coupure. Vérification des fuites de gaz
3. Activez l'alimentation électrique de la cuisinière au niveau du disjoncteur ou de la boîte à fusibles.
4. Suivez les invites apparaissant sur l'écran du four pour configurer les préférences utilisateur et les paramètres du réseau sans fil.
5. Appuyez sur la touche **MENU** à l'écran.
6. Appuyez sur la touche **CUISSON TRADITIONNELLE** à l'écran. La température par défaut de cuisson traditionnelle doit apparaître à l'écran.
7. Appuyez sur **Départ**. Après 3 minutes, ouvrez la porte pour vous assurer que l'air à l'intérieur du four a commencé à se réchauffer.
8. L'écran doit afficher **CUISSON TRADITIONNELLE** ainsi que la température de préchauffage.
9. Touchez **DÉSACTIVATION** pour arrêter le processus de chauffage du four.
10. Testez l'un des brûleurs en appuyant sur le bouton et en le tournant dans le sens anti-horaire sur la position **ÉLEVÉE**. L'allumage peut prendre jusqu'à quatre secondes pour s'activer, moment auquel l'allumeur arrêtera de générer des étincelles. Si l'allumage ne s'active pas sous quatre secondes, tournez le bouton sur la position d'arrêt, attendez au moins cinq minutes pour laisser le gaz se dissiper, puis réitérez le test d'allumage. Une fois que l'allumage s'est activé, tournez le bouton de commande dans le sens anti-horaire de la position **ÉLEVÉE** à **BASSE** pour ajuster progressivement la taille de la flamme. Si les brûleurs sont correctement installés et le gaz est correctement diffusé, la flamme sera stable et silencieuse. Elle présentera également un cône pointu bleu à l'intérieur dont la longueur variera proportionnellement à la taille du brûleur.
11. Tournez le bouton de commande sur la position « **DÉSACTIVATION** ».
12. Réitérez le test d'allumage pour tous les autres brûleurs.
13. Des pointes jaunes à l'extrémité des cônes sont normales pour un fonctionnement au GPL.



Flamme normale

Si la cuisinière ne fonctionne pas correctement, suivez ces étapes de dépannage :

1. Vérifiez que l'alimentation en gaz et en électricité arrive bien sur la cuisinière.
2. Vérifiez les raccordements électriques et l'alimentation en gaz afin de vous assurer que l'installation a été correctement effectuée.
3. Recommencez le test de cuisson traditionnelle ci-dessus ou le test d'allumage des brûleurs.
4. Si l'appareil ne fonctionne toujours pas, contactez le service client Dacor : 833-353-5483 N'essayez pas de réparer l'appareil vous-même. Assurez-vous d'avoir les numéros de modèle et de série à portée de main lorsque vous appelez. Reportez-vous en page 6 pour savoir où les trouver.

Dacor ne peut être tenu responsable des coûts liés à la correction de problèmes provoqués par une installation défectueuse.

Retrait et réinstallation

Retrait de la cuisinière à des fins d'entretien

1. Tournez la vanne d'alimentation en gaz sur la position DÉSACTIVATION.
2. Désactivez l'alimentation électrique de la cuisinière au niveau du disjoncteur ou de la boîte à fusibles.
3. Tirez la cuisinière à l'écart du mur.

Réinstallation de la cuisinière après entretien

1. Poussez la cuisinière en position de fonctionnement, en vous assurant que le support anti-basculement est bien engagé (reportez-vous en page 40).
2. Activez l'alimentation électrique de la cuisinière au niveau du disjoncteur ou de la boîte à fusibles.
3. Tournez la vanne d'alimentation en gaz sur la position ACTIVATION.

Consignes d'installation

Liste de contrôle pour l'installation

AVERTISSEMENT

- Afin de garantir une installation sûre et appropriée, la liste de contrôle suivante doit être remplie par l'installateur.
- L'installation correcte, dont le propriétaire du domicile doit s'assurer, est indispensable pour le bon fonctionnement de la cuisinière.
 - Le revêtement en plastique a-t-il été enlevé sur l'extérieur de la cuisinière ? Tous les éléments d'emballage ont-ils été retirés à l'intérieur du four ?
 - Les pieds de mise à niveau sont-ils en contact avec le sol ? L'appareil est-il de niveau ? Reportez-vous à la page 40.
 - La cuisinière est-elle fixée avec le pied et le support anti-basculement fournis conformément à ces instructions ? Reportez-vous à la page 32.
 - La cuisinière est-elle branchée et mise à la terre conformément à ces instructions et à tous les codes électriques en vigueur ? Reportez-vous à la page 31.
 - La pression d'admission de l'alimentation en gaz a-t-elle été mesurée afin de s'assurer qu'elle ne dépasse pas les valeurs maximales indiquées dans ces instructions ? Reportez-vous à la page 29.
 - La cuisinière est-elle raccordée à l'alimentation en gaz conformément à ces instructions et à tous les codes en vigueur ? L'installateur a-t-il vérifié l'absence de fuites au niveau de l'alimentation en gaz ? Le cache du régulateur de gaz a-t-il été réinstallé ? Reportez-vous à la page 29.
 - La porte du four est-elle correctement installée conformément à ces instructions ? Reportez-vous à la page 42.
 - Les boutons des brûleurs ont-ils été installés aux bons endroits ? Reportez-vous à la page 44.
 - Les brûleurs et les grilles ont-ils été correctement installés conformément à ces instructions ? Reportez-vous aux pages 45-47.
 - Le bon fonctionnement a-t-il été vérifié ? La garantie a-t-elle été activée en ligne ou la carte de garantie a-t-elle été entièrement remplie et renvoyée ?



Veuillez consulter le site Web www.Dacor.com pour activer votre garantie en ligne.

INFORMATIONS CONCERNANT LA GARANTIE



IMPORTANT :

Votre garantie ne prendra effet que lorsque vous l'aurez activée en ligne ou lorsque vous aurez envoyé le formulaire à retourner à Dacor. Si vous avez acheté plusieurs produits Dacor, merci de bien vouloir retourner tous les formulaires dans une seule enveloppe ou d'activer la garantie en ligne de chacun de vos produits.

En aucun cas Dacor ne vendra en aucun cas votre nom ou toute information contenu dans le formulaire dans le but de les ajouter à des listes de diffusion électronique. Nous sommes ravis que vous ayez choisi les produits Dacor pour votre foyer et nous vous en remercions. Nous ne vendrons en aucun cas vos informations.

Nom du propriétaire : _____
Nom (en caractères d'imprimerie) Bornes Moyen

Rue : _____

Ville : _____ État : _____ Code postal : _____

Date d'achat : _____ E-mail : _____ Téléphone : _____

Revendeur : _____

Ville : _____ État : _____ Code postal : _____

Merci de bien vouloir prendre quelques secondes pour compléter la section ci-dessous. Merci.

1. Comment avez-vous connu les produits Dacor ? (Une seule réponse possible.)

- A. Télévision Émission culinaire
- B. Magazine
- C. Exposition chez un revendeur
- D. Exposition de cuisines chez un revendeur
- E. Salon de l'habitat
- F. Constructeur
- G. Architecte/Designer
- H. Un autre propriétaire Dacor
- I. Maison témoin
- J. Autre _____

2. Où avez-vous acheté vos appareils Dacor ?

- A. Revendeur
- B. Cuisiniste
- C. Entrepreneur d'un constructeur
- D. Constructeur
- E. Autre _____

3. Pour quelle raison avez-vous acheté ce produit ?

- A. Remplacement **uniquement**
- B. Modernisation
- C. Déménagement
- D. Autre _____

4. Quel est le revenu annuel de votre foyer ?

- A. Moins de 75 000 \$
- B. Entre 75 000 \$ et 100 000 \$
- C. Entre 100 000 \$ et 150 000 \$
- D. Entre 150 000 \$ et 200 000 \$
- E. Entre 200 000 \$ et 250 000 \$
- F. Plus de 250 000 \$

5. Quelles sont les types d'appareils que vous possédez dans votre cuisine ?

- A. Table de cuisson _____
- B. Four _____
- C. Lave-vaisselle _____
- D. Réfrigérateur _____

6. Achèteriez-vous ou recommanderiez-vous un autre produit Dacor ?

- Oui
- Non

Remarques : _____

Merci beaucoup pour votre contribution. Les informations que vous nous avez fournies nous aideront pour les projets à venir et à vous apporter l'assistance que vous méritez.

Placez l'étiquette portant le numéro de série ici

Site Web : www.Dacor.com

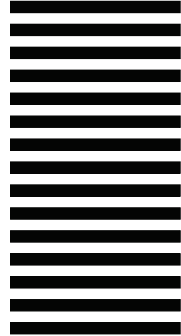
Téléphone : 1+833+353-5483

couper ici

couper ici



NO POSTAGE
NECESSARY
IF MAILED
IN THE
UNITED STATES



BUSINESS REPLY MAIL
FIRST-CLASS MAIL PERMIT NO 1600 CITY OF INDUSTRY CA

POSTAGE WILL BE PAID BY ADDRESSEE

DACOR
ATTN: WARRANTY PROCESSING DEPT
PO BOX 90070
CITY OF INDUSTRY, CA 91715-9907



fold here



DG68-01106C-02



Dacor • 14425 Clark Avenue, City of Industry, CA 91745 • Téléphone : (833) 353-5483 Télécopie : (626) 403-3130 • www.dacor.com

