

# 30-Inch Combi Wall Oven with Steam

**\$7,999 – \$8,699 | CONTEMPORARY**

**dacor**



**DOC30M977DS/DA** - Silver Stainless \$7,999  
**DOC30M977DM/DA** - Graphite Stainless \$8,699

## Features & Benefits

- Steam-Assist oven
- Convection speed oven
- Dual Four-Part Pure Convection system
- BrightVue™ LED & halogen lighting
- 7-inch LCD control panel with SmartThings Wi-Fi connectivity
- Chef Mode guided cooking
- Digital temperature probe
- Self-clean oven
- Healthy fry
- SoftShut™ hinges

## Controls

<b>CONTROL TYPE</b>	7" Motorized LCD Touchscreen
<b>CHEF MODE GUIDED COOKING</b>	Yes
<b>WI-FI + SMARTTHINGS</b>	Yes
<b>CLOCK</b>	Yes
<b>DELAY START</b>	Yes
<b>KITCHEN TIMER</b>	Yes
<b>CHILD LOCK</b>	Yes
<b>SABBATH MODE</b>	Yes

## Microwave Oven

<b>MICROWAVE CAPACITY (CU. FT.)</b>	1.9
<b>MICROWAVE POWER</b>	950W
<b>CONVECTION</b>	Yes
<b>SPEED CONVECTION SEAR</b>	Yes
<b>SPEED BROIL</b>	Yes
<b>LIGHTING</b>	White

## Steam Oven

<b>OVEN CAPACITY (CU. FT.)</b>	4.8
<b>CONVECTION</b>	Four-Part Pure Convection
<b>STEAM</b>	Steam-Assist (Lower)
<b>BAKE ELEMENT</b>	3,000W - 8 Pass
<b>BROIL ELEMENT</b>	4,400W - 10 Pass
<b>CONVECTION ELEMENT</b>	2 x 1,300W
<b>INSTANTHEAT™ (NO PREHEAT)</b>	Yes
<b>TEMPERATURE PROBE</b>	Yes
<b>LIGHTING</b>	BrightVue™ - LED & Halogen
<b>SELF-CLEAN</b>	Self-Clean, GreenClean™
<b>SOFTSHUT™</b>	Yes

## Weights & Dimensions

<b>NET WEIGHT (LBS.)</b>	303
<b>SHIPPING WEIGHT (LBS.)</b>	333
<b>PRODUCT DIMENSIONS (W X H X D IN INCHES)</b>	29 ¾ x 43 ¾ x 23 ½
<b>STANDARD CUTOUT REQUIRED (W X H X D IN INCHES)</b>	28 ¾ to 28 ¾ x 42 ¼ x 23 ½ (min)
<b>FLUSH CUTOUT REQUIRED (W X H X D IN INCHES)</b>	30 ⅝ to 30 ⅝ x 43 ⅝ (min) x 24 ⅜ (min)

## Technical Details

<b>ELECTRICAL REQUIREMENT</b>	240/208V, 60 Hz, 40A
-------------------------------	----------------------

## Warranty

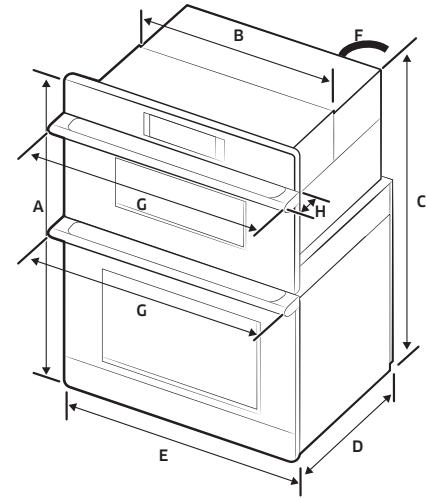
<b>FULL COVERAGE</b>	2 Years
----------------------	---------

# 30-Inch Combi Wall Oven with Steam

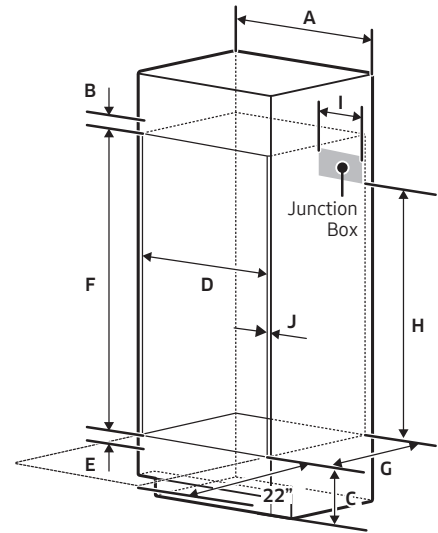


**\$7,999 – \$8,699 | CONTEMPORARY**

Product Dimensions	
A - (IN/CM)	43 3/8 / 110.2
B - (IN/CM)	28 1/2 / 72.4
C - (IN/CM)	42 / 106.7
D - (IN/CM)	23 1/8 / 58.7
E - (IN/CM)	29 3/4 / 75.6
F - (IN/CM)	67 / 170
G - (IN/CM)	30 / 76.2
H - (IN/CM)	2 1/4 / 5.6



Installation Cutout Dimensions (Standard)	
A - (IN/CM)	30 / 76.2
B - (IN/CM)	MIN. 1 3/16 / 3.0
C - (IN/CM)	12 / 30.5
D - (IN/CM)	MIN. 28 5/8 - MAX. 28 3/4 / MIN. 72.7 - MAX. 73.0
E - (IN/CM)	MIN. 1 - MAX. 1 1/4 / MIN. 2.5 / MAX. 3.2
F - (IN/CM)	42 1/4 / 107.3
G - (IN/CM)	MIN. 23 1/2 / MIN. 59.7
H - (IN/CM)	MIN. 30 1/2 / MIN. 77.5
I - (IN/CM)	MAX. 9 1/2 / MAX. 24.1 JUNCTION BOX
J - (IN/CM)	MIN. 1/16 / 1.75 - WOODEN CABINET THICKNESS



Installation Cutout Dimensions (Flush)	
A - (IN/CM)	MIN. 30 3/16 - MAX. 30 5/16 / MIN. 76.7 / MAX. 77.0
B - (IN/CM)	MIN. 1 3/16 / 3.0
C - (IN/CM)	12 / 30.5
D - (IN/CM)	MIN. 1 - MAX. 1 1/4 / MIN. 2.5 - MAX. 3.2
E - (IN/CM)	43 1/16 / 110.9
F - (IN/CM)	MIN. 24 1/16 / MIN. 63.0
G - (IN/CM)	MIN. 30 1/2 / MIN. 77.5
H - (IN/CM)	MAX. 9 1/2 / MAX. 24.1 JUNCTION BOX
I - (IN/CM)	MIN. 1/16 / 1.75 - WOODEN CABINET THICKNESS

