



Modernist 24", 30" Wide Microwave In A Drawer

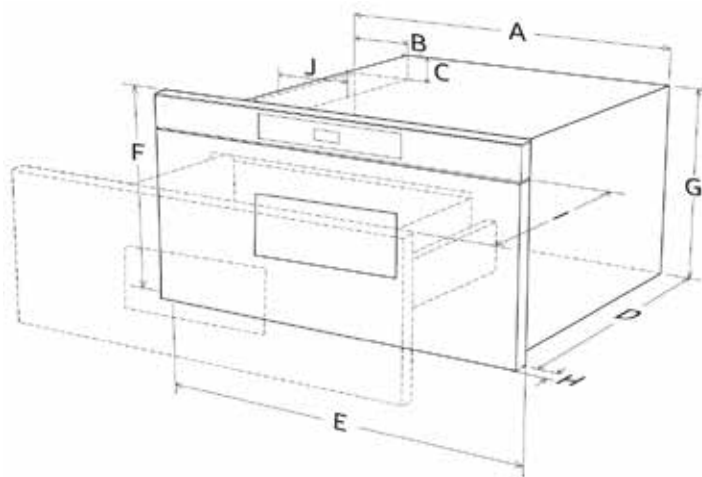
PLANNING GUIDE

Clearances and Dimensions

- The dimensions shown in the tables in this section are minimums and must be used.
- The contact surface must be of solid, level, plywood construction strong enough to support the oven's weight (about 100 lbs).
- Locate the unit within easy access of the proper electrical outlet, or locate a new outlet. (See **About the Electrical Outlet**, pg. 12.)
- The oven can be built into a cabinet or wall by itself or under any gas or electric wall oven.
- The clearance between the microwave drawer and a wall oven must be at least 2 in.
- The microwave drawer easily accommodates a 9" x 13" dish or bag of microwave popcorn.
- The microwave can be flush-mounted. (See the instructions included with the flush-mount deflector vent.)

24" Drawer Dimensions

The graphics in this section contain appliance dimensions that will help plan the drawer's location.

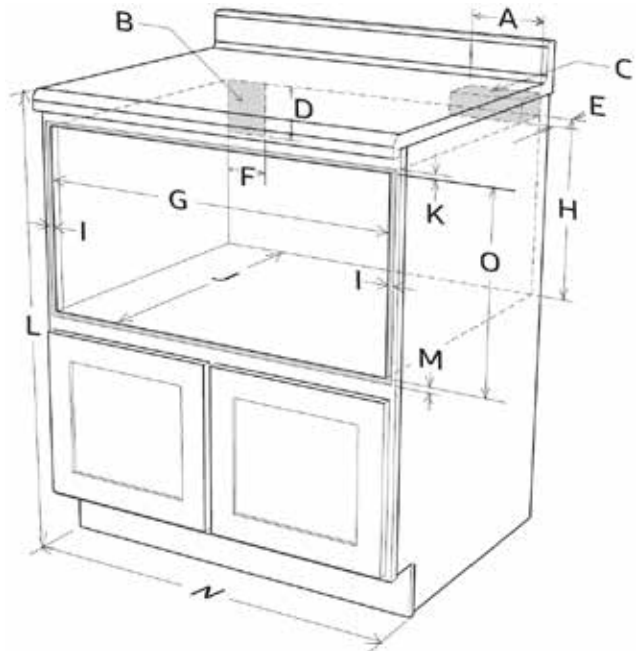


Dim.	Inches	Description
A	21 $\frac{5}{8}$	Overall chassis width
B	4 $\frac{11}{16}$	Width of chassis notch
C	1 $\frac{3}{4}$	Height of chassis notch
D	21 $\frac{7}{8}$	Chassis depth
E	23 $\frac{7}{8}$	Microwave face width
F	15 $\frac{7}{8}$	Microwave face height
G	14 $\frac{19}{32}$	Chassis height
H	1 $\frac{9}{64}$	Door face thickness
I	15	Automatic drawer-open depth
J	4	Chassis notch width

WARNING

- Observe all local ordinances during planning and installation. Contact your local building department for details.
- This unit must be installed according to its installation instructions.

24" Drawer Dimensions, cont.



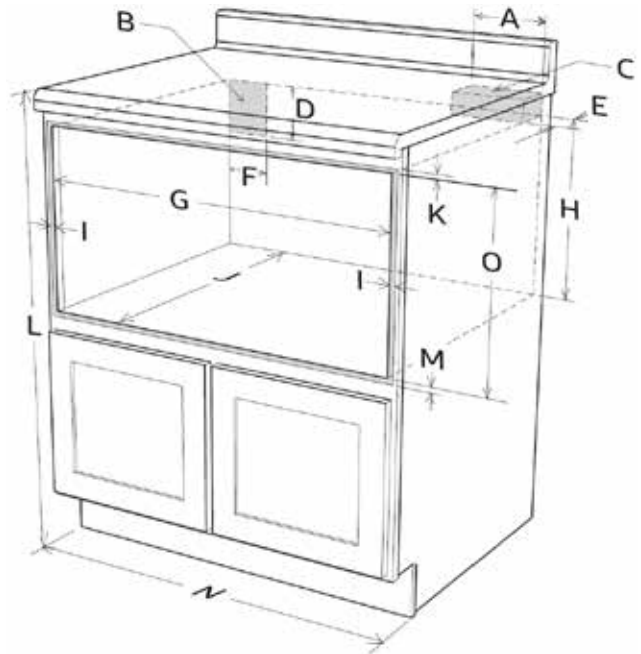
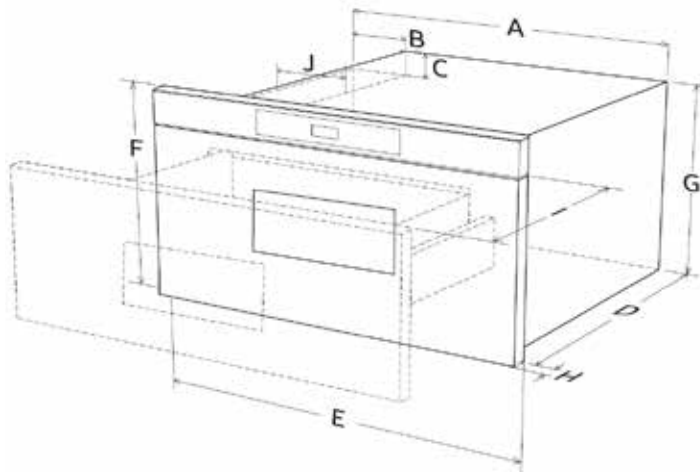
Dim.	Inches	Description
A	6	Anti-tip block length
B	—	Electrical outlet location
C	—	Anti-tip block
D	5	Outlet location height
E	3 $\frac{1}{2}$	Anti-tip block width
F	4	Outlet location width
G	22 $\frac{1}{8}$	Cutout width
H	14 $\frac{13}{16}$	Cutout floor to block bottom
I	$\frac{7}{8}$	Minimum overlap allowance (sides)
J	23 $\frac{1}{2}$	Minimum cutout depth
K	$\frac{3}{16}$	Minimum overlap allowance (top)
L	36	Nominal countertop height
M	$\frac{1}{8}$	Minimum overlap allowance (bottom)
N	24	Minimum cabinet width
O	15 $\frac{9}{16}$	Cutout height



Modernist 24", 30" Wide Microwave In A Drawer

PLANNING GUIDE

Clearances and Dimensions, cont. 30" Drawer Dimensions



Dim.	Inches	Description
A	21 ⁵ / ₈	Overall chassis width
B	4 ¹¹ / ₁₆	Width of chassis notch
C	1 ³ / ₄	Height of chassis notch
D	21 ⁷ / ₈	Chassis depth
E	30	Microwave face width
F	15 ⁷ / ₈	Microwave face height
G	14 ¹⁹ / ₃₂	Chassis height
H	1 ⁹ / ₆₄	Door face thickness
I	15	Automatic drawer-open depth
J	4	Chassis notch width

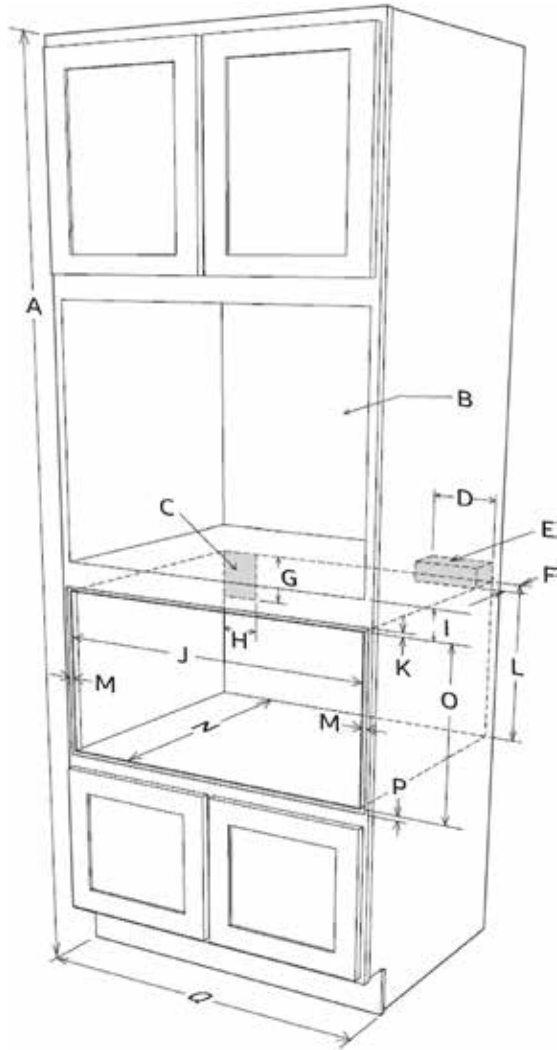
Dim.	Inches	Description
A	6	Anti-tip block length
B	—	Electrical outlet location
C	—	Anti-tip block
D	5	Outlet location height
E	3 ¹ / ₂	Anti-tip block width
F	4	Outlet location width
G	22 ¹ / ₈ min.; 28 ⁷ / ₁₆ max.	Cutout-opening width range
H	14 ¹³ / ₁₆	Cutout floor to block bottom
I	²³ / ₃₂	Minimum overlap allowance (sides)
J	23 ¹ / ₂	Minimum cutout depth
K	³ / ₁₆	Minimum overlap allowance (top)
L	36	Nominal countertop height
M	¹ / ₈	Minimum overlap allowance (bottom)
N	30	Minimum cabinet width
O	15 ⁹ / ₁₆	Cutout height



Modernist 24", 30" Wide Microwave In A Drawer

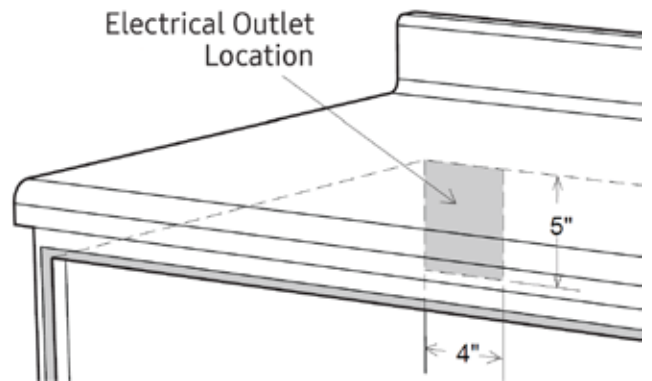
PLANNING GUIDE

**Clearances and Dimensions, cont.
30" Drawer Dimensions, cont.**



Dim.	Inches	Description
A	84	Nominal wall-cabinet height
B	—	Optional wall-oven cutout
C	—	Electrical outlet location
D	6	Anti-tip-block length
E	—	Anti-tip block
F	3 1/2	Anti-tip-block width
G	5	Outlet location height
H	4	Outlet location width
I	2	Min. distance between cutout openings
J	22 1/8 min.; 28 7/16 max.	Cutout-opening width range
K	3/16	Minimum overlap allowance (top)
L	14 13/16	Cutout floor to block bottom
M	23/32	Minimum overlap allowance (sides)
N	23 1/2	Minimum cutout depth
O	15 9/16	Cutout height
P	1/8	Minimum overlap allowance (bottom)
Q	30	Minimum cabinet width

About the Electrical Outlet



A 120 volt 60 Hz, AC only, 15 amp. or more protected electrical supply is required. It is preferable that the oven be on its own circuit.

The drawer has a 3-prong grounding plug that must be plugged into a properly installed and grounded outlet. If only a 2-prong outlet is available, have a qualified electrician install a proper outlet.

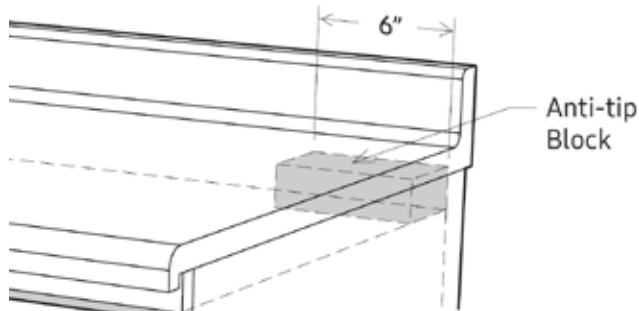
NOTE: Address any questions to a qualified electrician or service technician.



Modernist 24", 30" Wide Microwave In A Drawer

PLANNING GUIDE

Installing the Anti-Tip Block

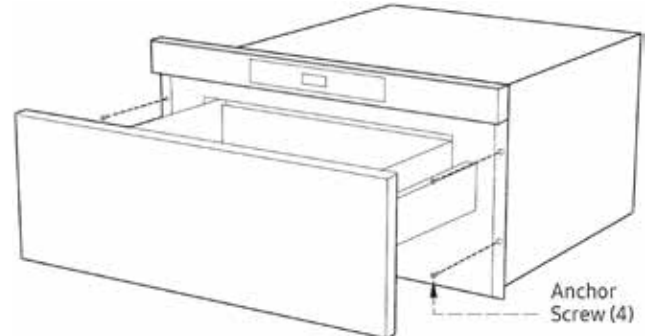


This block keeps the oven from tipping forward and possibly spilling hot foods and liquids. It must be installed so its bottom is 14 13/16" above the cutout floor.

The installer shall provide the anti-tip block. (See pgs. 9 and 10 for specific placements.)

If the drawer is relocated, relocate the block with it.

Installing the Microwave In-A-Drawer™



1. Place the drawer in front of its cutout.
2. Plug in the power cord, and slide the unit into the cutout until the mounting flange meets the cabinet face. (Do not pinch the cord between the chassis and the wall.)
3. On the control panel, press **Open**. The drawer opens, exposing the four anchor-screw holes. (See the graphic at left.)
4. Using the 4 holes as a template, predrill the cabinet with a 1/16" bit, then anchor the drawer with the 4 provided screws.