



**NOCTURN
INDUSTRIES**
INNOVATIVE NIGHT VISION SOLUTIONS

UANVB-FC Manticore Operators Manual



Nocturn Industries LLC

sales@nocturnindustries.com

**If you have questions or need help with
anything listed or not listed in this
manual please contact
sales@nocturnindustries.com**

COPYRIGHT AND TRADEMARK

The entire content included in this manual, including but not limited to text or graphics is copyrighted as a collective work under the United States and other copyright laws, and is the property of Nocturn Industries™ LLC. The collective work includes works that are licensed to Nocturn Industries LLC. *Copyright 2021-2023, Nocturn Industries LLC, ALL RIGHTS RESERVED.

LIMITATION OF LIABILITY

Nocturn Industries LLC shall not be liable for any damages that result from the use of or the inability to use the materials on this site or the products. Applicable law may not allow the limitation of exclusion of liability or incidental or consequential damages, so the above limitation or exclusion may not apply to you.

TRADEMARKS

All trademarks and trade names of Nocturn Industries LLC used in the site are trademarks of Nocturn Industries LLC.

Legal

Your use of this product shall be governed in all respects by the laws of the state of New Hampshire, U.S.A.

All applicable items on this sight are subject to I.T.A.R. and shall be treated as such. There are no international sales accepted on items that fall under I.T.A.R. Items include any night vision device, accessory, component or other items deemed export restricted

All users subscribe to and acknowledge the following:

I understand that the products listed on this sight and/or purchased from Nocturn Industries LLC are subject to one or more of the export control laws and regulations of the U.S. Government and that they fall under the control jurisdiction of either the Department of State's International Traffic in Arms Regulations (ITAR) or the Department of Commerce's Export Administration Regulations (EAR), or the U.S. Bureau of Industry & Security (BIS).

- I understand that it is unlawful to export, or attempt to export or otherwise transfer or sell any hardware or technical data or furnish any service to any foreign person, whether abroad or in the United States (U.S.), for which a license or written approval of the U.S.

Government is required, without first obtaining the required license or written approval from the department of the U.S. Government having jurisdiction.

- I understand that, in ITAR (§ 120.16), a foreign person means any natural person who is not a lawful permanent resident as defined by 8 U.S.C. 1101(a)(20) or who is not a protected individual as defined by 8 U.S.C. 1324b(a)(3). It also means any foreign corporation, business association, partnership, trust, society, or any other entity or group that is not incorporated or organized to do business in the U.S., as well as international organizations, foreign governments and any agency or subdivision of foreign governments (e.g., diplomatic missions). History: 59 FR 25811, May 18, 1994; 71 FR 20534, April 21, 2006.
- I understand that I am responsible for compliance with any and all U.S. Government export controls and regulations and that, if I violate them, it could result upon conviction in severe criminal and civil penalties (including substantial fines, imprisonment, seizure of controlled products, and technical data, and/or suspension/removal of export privileges) for my company and me.
- I understand that these items will NOT BE EXPORTED, provided to foreign persons in the U.S. (Including Foreign Embassies in the U.S.A.), or sold domestically for export by a third party (including U.S. Government agencies). If/when I resell these items, I will advise my customers of their duty to comply with U.S. export control regulations or face the possibility of severe criminal and civil fines including imprisonment if convicted.
- If/when I resell these items, I will obtain and retain record of the sale.
- If/when I resell these items, I will inform my customers that if these items are lost, stolen or destroyed, they must report to me this fact and provide the date of the incident as well as the associated serial number of the item.

Export of the commodities described herein is strictly prohibited without a valid export license issued by the U.S. Department of State Office of Defense Trade Controls prescribed in the International Traffic in Arms Regulation (ITAR), Title 22 Code of Federal Regulation, Parts 120-130.

Those who purchase a night vision housing(s) or device(s) will be required to sign an Export Agreement after checkout.

INDEMNIFICATION

You agree to indemnify, defend, and hold harmless Nocturn Industries LLC. or its members and service providers from and against all losses, expenses, damages and costs, including reasonable attorneys' fees, resulting from any violation of these terms and conditions or any activity related to your account by you or any other person suing this manual

*Denotes pending status

SAFETY WARNING:

Read and follow all instructions.

Do Not Disassemble the device. Disassembly can cause permanent damage to the device.

This device contains components made of natural rubber Latex which may cause potentially fatal allergic reactions. **If you have an allergy to Latex it is important that you do not expose yourself to products that contain it**

Warranty Information

All Housings from Nocturn Industries have a **lifetime warranty** no questions asked. Inquiries into the cause of damage may be subject to voluntary retort for development and feedback reasons but are in no way under obligation to be answered. If your device is submitted for a warranty it may be repaired or replaced at the discretion of the manufacturers' best judgement after evaluation. **Image Intensifier Tubes, Optics, and other components or accessories not manufactured by Nocturn Industries are not subject to warranty** by Nocturn Industries and must follow warranty of the original manufacturer from which the components or accessories were purchased. Nocturn Industries holds no responsibility for the loss or damage of components or accessories made from other manufacturers used in conjunction with products manufactured from Nocturn Industries.

Table of Contents

PRODUCT OVERVIEW	1
BACK DIAGRAM.....	3
I.P.D. SCREW TENSIONER SCREW	
LEMO PORT	
I.P.D. FRICTION LOCK STOP	
TENSIONER PLATE.....	4
I.P.D. STOP ADJUSTMENT DIAGRAM.....	6
I.P.D. RESET	
I.P.D STOP SETTING.....	7
INDIVIDUAL ON/OFF ARTICULATION DIAGRAM	8
ARTICULATION POWER ON	
ARTICULATION POWER OFF.....	9
FRONT DIAGRAM.....	10
PURGE SCREW INFINITY STOP RING	
FOCUS DISTANCE ADJUSTMENT DIOPTER ADJUSTMENT	
BATTERY CAP DIOPTER HOUSING	
EYEPiece LOCKING RING O-RING	
OBJECTIVE LENS	
IR Illuminator	
IR Illuminator ON/Off Control	

GAIN CONTROL UP/DOWN12

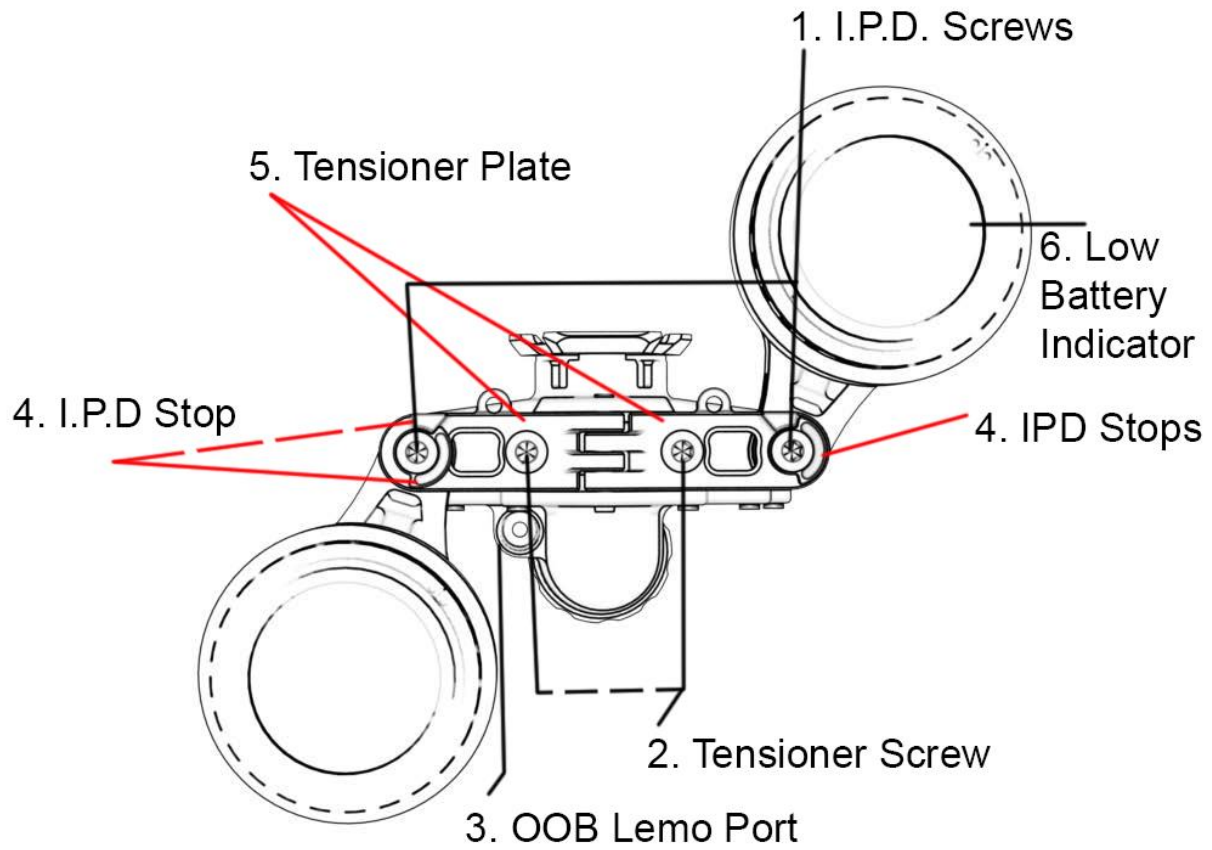
TROUBLE SHOOTING 14

Product Overview

The UANVB-FC Manticore (Ultralight Articulating Night Vision Binocular- Full Control)

The Manticore is a full control articulating night vision binocular that has a built in **IR illuminator** with an on/off control button on board, **Gain control** functions with increase and decrease value buttons on board, and system power on/off button with **on board power supply** and **external 00b 2 pin LEMO port**. When looking through the device there is a red **low battery indicator** light to alert the user when power supply is almost exhausted or low. The Manticore has an individual on/ off power function when pods are rotated into the out (up) and in (down) positions. The pod on/off feature will operate individually per pod. Left up/down will operate power on/off for left image intensifier tube pod left. Right pod up/down will operate power on/off for right image intensifier tube pod right. The binocular device features an all new **“Friction Lock Interpupillary Adjustment”** system, the **I.P.D stops** that will allow the user to set IP stop distance relative to user preference (space from left eye to right eye). The binocular device uses infinity locking rings that will allow user (or manufacturer) to set maximum focus distance on the front objective lens to infinity enabling quick adjustment between “close” and “far” focus distance with a firm stop at maximum focus every time. The night vision binocular features a rear tensioning plate fastening the pod housings to the bridge (center) of the device. The tensioning plate will feature 1 screw on each plate, that when tightened or loosened will adjust friction tension, that translates to how stiff or soft the ability to articulate out (up) and in (down) will feel. Loosened being a softer looser articulation and tighter being a stiffer tighter articulation. The night vision device has a hard on/off power button that will power the device on and will only power off if clicked into the power off cycle or if pods are articulated into the out (up) position at an angle appropriate to activate individual power off feature. If power is hard cycled on and pods are articulated (rotated) into the in (down) position the individual pods will power the image intensifier tubes on respective to the side that is being articulated into the on (down) position. The night vision binocular features a dovetail for mounting to dovetail compatible helmet mounts. The night vision binocular features a single purge port on each pod sealed with a screw

Back Diagram



3b. 00B LEMO Connector



Lemo plug in orientation indicator

1. **I.P.D. Screw** – The Interpupillary Distance screw has a factory torque setting of 8.5-inch pounds. The I.P.D. screw should not be adjusted by the user. The I.P.D. screw torque setting ensures that the interpupillary distance stop has enough resistance to provide a sure stop upon articulation down but may still be pushed past the stop limit for user inner pupillary distance adjustment.

Adjustment or tightening of the I.P.D. screw may result in loss of I.P.D. stop function, loss of I.P.D. stop function quality, or potential shearing (breaking) of titanium screw head.

2. **Tensioner Screw** – The tensioner screw has a factory torque setting of 6.5-inch pounds. The tensioner screw may be adjusted by the user for articulation stiffness preference. The tensioner screw uses a T10 torx driver bit for adjustment. Tightening the tensioner screw will give the user a stiffer and tighter feel upon articulation. User should not tighten tensioner screw excessively. Do not exceed 10-Inch pounds. Excessive tightening will inhibit the pods ability to articulate and could result in damage of screw. User should only tighten tensioner screw slightly if stiffer articulation is desired.

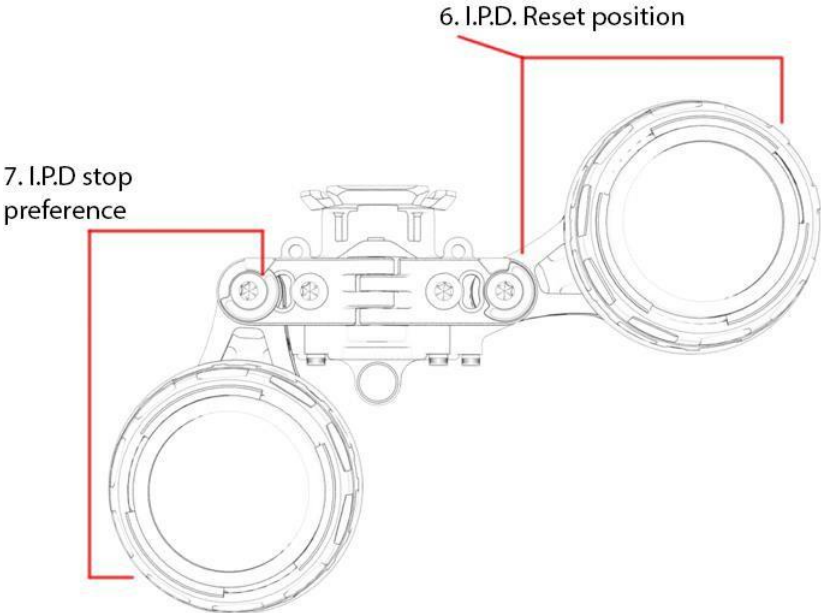
3. **00B LEMO Port**- The baseplate of the night vision binocular bridge has a 00B LEMO port compatible with the push pull connector (3b.). The 00B LEMO port allows the user to connect the night vision binocular to an external battery pack to provide longer operating duration through the use of multiple batteries in the power pack. The user should be familiar with the use of LEMO connectors and should know to orient the connector with the indication dot on the male end connector and female end port before inserting the connector into the port on the night vision device. Twisting of the connection to find orientation may result in damage of the port or connection pins and render the LEMO port inoperable.

4. **I.P.D. Friction Lock Stop** – The interpupillary friction lock stop will enable the user to set the stopping point of each pod when rotated or articulated into the down position.

5. **Tensioner plate** – The tensioner plate is the mechanism used to fasten the pod to the bridge of the device. The tensioner plate will control the stiffness of motion when rotating pods for articulation control.

6. **Low Battery Indicator** - When your power supply is almost exhausted a red indicator light will appear flashing inside the pod when looking through the device. This light is separate and not to be confused with the IR on indicator also located inside the pod when looking through the tube.

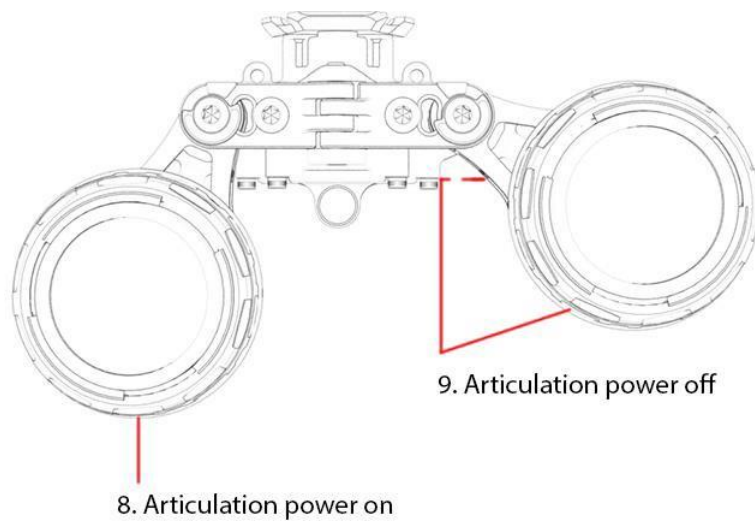
Interpupillary Distance Stop Adjustment



6. I.P.D. Reset Position – The I.P.D. friction lock mechanism may be pushed past the point of stop provided by the protruding tooth of the tensioning plate. The user can push against this protruding tooth to reset the I.P.D. mechanism.

7. I.P.D. Stop Preference – The I.P.D. stop can be set by the user by articulating (rotating) the pod in (down) to the users desired interpupillary position. The user can push the I.P.D. mechanism past the stopping point by articulating the pod until desired position is reached. Once set to the preferable I.P.D nothing more has to be done.

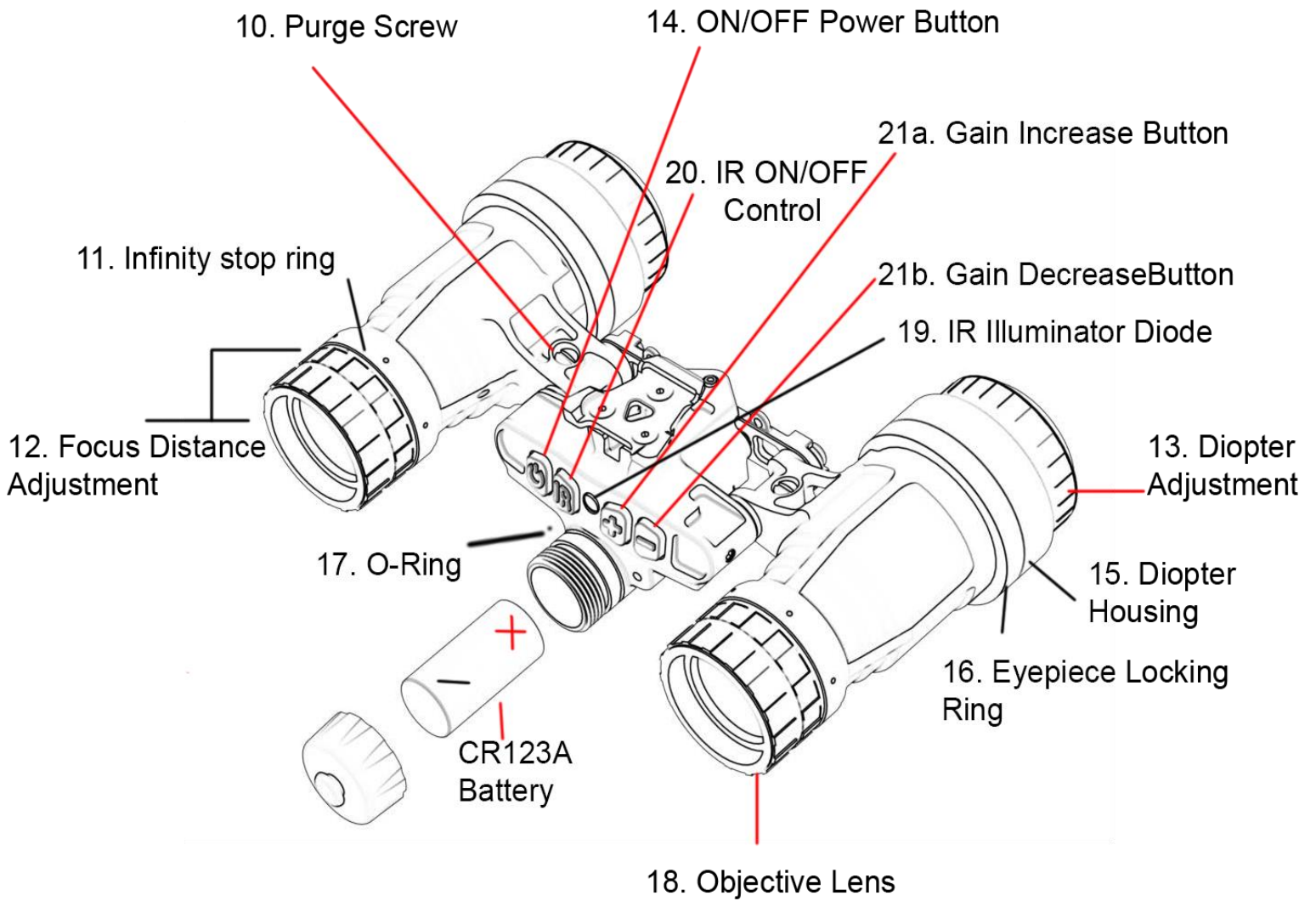
Individual On/Off Articulation



8. Articulation Power On – When the device is powered on using the battery cap on cycle or external power pack set to ON the individual pod will be powered on while in the in (down) position.

9. Articulation Power Off – When the device is powered on using the battery cap on click cycle or external power pack set to ON the individual pod will be powered OFF while articulated (rotated) to a position that exceeds the position at which the pod would power on.

Front Diagram



10. **Purge Screw** – The purge screw will be fitted with a small O-ring whose purpose is to seal the port used to purge the night vision binocular. The purge screw should not be removed by the user. If the purge screw is removed or loosened for any reason the seal of the pod may be breached allowing moisture to enter the pod. Moisture will expose the internal components to potential corrosion and may cause the optics to fog over internally.

11. **Infinity Stop Ring** – The infinity stop ring can be set by the manufacturer on a test bench or by the user manually. When the objective lens (front) is set at infinity focus the stars in the sky are perfectly in focus. The infinity stop ring will be threaded outward towards the objective lens until contact is made and the objective lens is touching the infinity stop ring. The grub screw, a small screw threaded into one of the holes on the infinity stop ring can then be threaded inward and tightened against the threads of the pod to ensure that the infinity stop ring will be locked in place. Excessive torque should not be used to tighten the grub screw and the user should take proper care to ensure they only tighten the screw enough to stop the infinity stop ring from threading or unthreading with an appropriate amount of force. Once infinity stop ring is set the user can transition between focus distance at leisure but can return to infinity focus distance quickly and easily.

12. **Focus Distance Adjustment** - The objective lens (front) is the lens that will control the focus distance of the night vision binocular optics. The user will twist the objective lens so that the lens threads in and out of the end of the night vision binocular pod. While looking through the night vision binocular that is powered on with a functioning image intensifier tube and appropriate lens set, the objective lens can be twisted in and out by hand and the user will observe sharp focus point moving from

close distance to maximum distance gradually while twisting the lens. The lens can be unthreaded to a stopping limit that will be retained by the night vision binocular pod preventing the lens from unthreading completely and falling off. This will ensure that the seal of the night vision binocular cannot be breached, and purge seal will be maintained.

13. Diopter Adjustment – The outermost ring of the diopter assembly (rear) will be the diopter adjustment ring. As the diopter adjustment ring is twisted the diopter cell (lens) will move in and out within the diopter assembly from -6 to +2 diopter. As the user looks through the night vision binocular that is powered on with a functioning image intensifier tube installed and appropriate optic pair properly installed, the diopter adjustment ring can be twisted and the image will gradually adjust until a comfortable setting is achieved for/by the user. Adjust until your eyes are comfortable and a 1:1 image size can be seen through the eyepiece as compared to an un-aided eye.

14. ON/Off Button – The night vision binocular ON/OFF switch. To turn system device on click and hold for power ON. To turn the system device OFF click and hold the power button and the device will be powered OFF

15. Diopter Housing – The diopter housing assembly should be installed by the manufacturer or builder. The diopter housing assembly should not be threaded or unthreaded by the user. The user should take proper precautions to ensure they are not unthreading the diopter housing assembly. If the diopter housing assembly is adjusted (twisted) in any direction for any reason the optical collimation of the image while using the night vision binocular may be inhibited. If collimation is out of orientation the user may experience an uncomfortable experience that can cause headaches, disorientation, eye strain etc.,

16. **Eyepiece Locking Ring** – The eyepiece locking ring will be used to lock the diopter housing assembly in place. The user should not adjust the eyepiece locking ring. If the eyepiece locking ring is unthreaded or moved for any reason the diopter housing assembly may move and the visual collimation of the night vision binocular may be inhibited. The eyepiece locking ring will be set by the builder after proper collimation is achieved. There are no set screws holding the eyepiece locking ring in place, the user should take proper care to ensure they do not unthread or thread the eyepiece locking ring.

17. **O-Ring** – The battery cap O-Ring will provide the night vision binocular battery port with a proper watertight seal. The battery cap O-Ring should be regularly lubricated by the user using silicone-based lubricant to reduce wear of the O-Ring. If the O-Ring becomes worn or damaged please contact Nocturn Industries for a replacement.

18. **Objective Lens** – The objective lens is the front lens of the night vision binocular device. The objective lens is responsible for the optical focus of the night vision binocular.

19. **IR Illuminator** – The IR illuminator when turned on will be invisible to the unaided eye. IR illumination can be seen by other night vision devices.

20. **IR Illuminator ON/Off Control** – Double click to turn IR (infrared) illuminator on, you will see a red indicator light inside when looking through the tube that signals IR is ON. Single click will turn IR illuminator off. Press and hold for signal strobe.

21. **Gain Control Up/Down** – Click plus (+) symbolled button to increase gain (brightness) of image tube and minus (-) button to decrease gain (brightness) of image tube. Click and hold will gradually increase gain if holding (+) and decrease if holding (-)

Trouble Shooting

No Power

Battery - If the night vision binocular is not powering on start by ensuring there is a fresh CR123A battery in the device in the proper positive negative orientation. Ensure that the night vision binocular pods are in the in (down) position within the range where the independent on feature will be activated. **Having a Battery in the device in the proper orientation is required in order to power on unless connected to an external battery pack.**

Battery Cap – If the night vision device will not power on ensure that the battery cap is tightened appropriately to make proper contact. Ensure that the night vision binocular pods are in the in (down) position within the range where the independent on feature will be activated.

O-Ring – If the night vision binocular will not power on try removing the O-Ring of the battery cap and re-install the battery cap without the O-Ring, tighten the battery cap to appropriate tightness and try to power the unit on. Ensure that the night vision binocular pods are in the in (down) position within the range where the independent on feature will be activated.

Can't Focus

Infinity Stop Ring – Make sure that the infinity stop ring has not unthreaded or moved in any way. If it is suspected that the infinity stop ring has been moved start by unscrewing the small set screw or screws that fastens the infinity stop ring in place. Thread the infinity lock ring all the way in against the pod of the night vision

binocular and then look through the night vision binocular as you adjust your focus distance. Refer to front diagram for information on how to reset infinity stop ring in place.

I.P.D. Stops are loose

I.P.D. Screw – Rotate (articulate) the pod in and out (up/down) to evaluate whether the I.P.D. friction lock system has an appropriate amount of stopping force when I.P.D. stopping mechanism reaches the stopping point of the tooth on the tensioner plate. If it is found that the I.P.D. friction lock stopping force is too weak it is recommended that your unit be returned for service. If the user wishes to perform the service the screw must be removed, thread chased for cleanliness (this is crucial) Blue 243 Loctite and Loctite SF7471 primer must be applied properly and the screw, washer, and I.P.D. mechanism must be re assembled and screwed to a torque of 8.5-inch pounds. Pods must not be rotated in any way until Loctite has fully cured.

