



iSmart Home
Network Video Recorder

User Manual



ISH-4MPOE1



ISH-4MPOE2



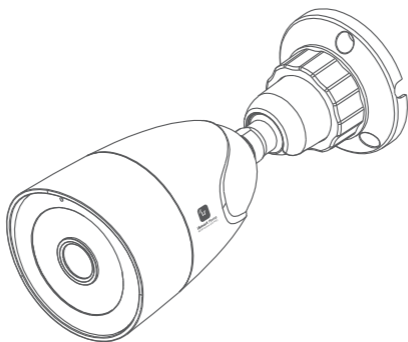
ISH-4MPOE3



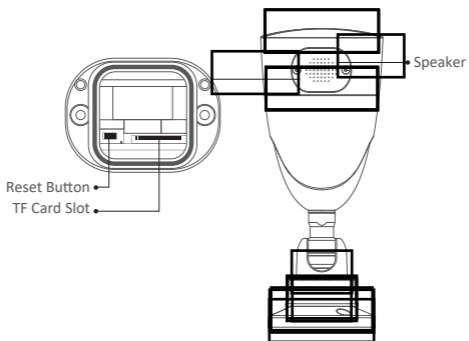
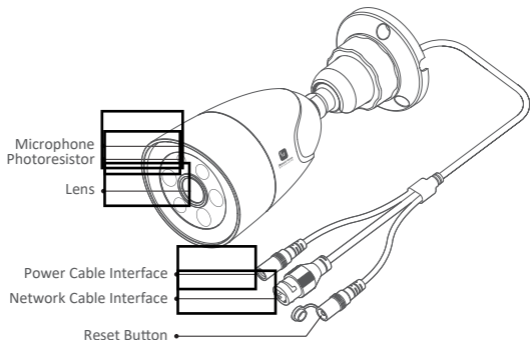
ISH-NV8POE/ISH-NV16CB

ISH-4MPPOE1

Outdoor Wired Bullet Camera



I. Product Appearance



II. Download the App

1. Android user can search "iSmart Home" via App Market.
2. iOS user can search "iSmart Home" via App Store.
3. Android and iOS user can scan following QR code to download "iSmart Homet".



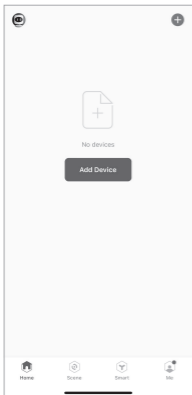
iSmart Home

III. Register and Login

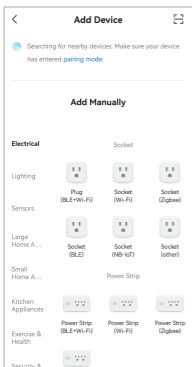
Open the "iSmart Home" App, press "Sign Up" to register a new account. If you have an account, you can log in with your account & password.

A screenshot of the 'Log In' screen in the iSmart Home app. At the top left is a back arrow. The title 'Log In' is centered. Below it is a dropdown menu with 'China' selected. There are two input fields: 'Please enter the account' and 'Password'. Below these is a checkbox labeled 'I Agree Privacy Policy and User Agreement'. At the bottom is a 'Log In' button and a 'Forgot Password' link. An Apple logo is at the very bottom.A screenshot of the 'Register' screen in the iSmart Home app. At the top left is a back arrow. The title 'Register' is centered. Below it is a dropdown menu with 'China' selected. There is one input field labeled 'Mobile Number/Email'. Below this is a checkbox labeled 'I Agree Privacy Policy and User Agreement'. At the bottom is a 'Get Verification Code' button. An Apple logo is at the very bottom.

IV. APP add Device



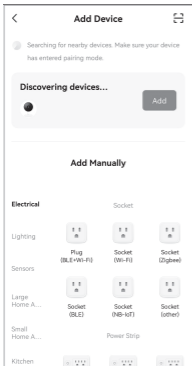
1. After clicking "+" or "Add Device" on the homepage, as shown below:



Method 1: Auto Scan

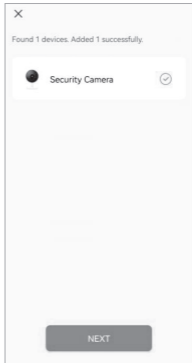
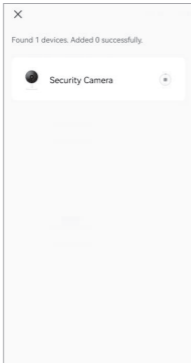
Prerequisite: Power on the device and connect the device to the router so that the phone and the device are on the same network.

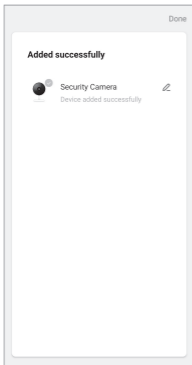
1) Searching for nearby devices. Make sure your device has entered pairing mode.



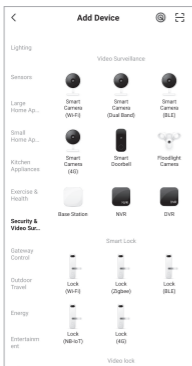
2) Discover the device, click the Add button.

3) The device is discovered and added successfully, click Next.





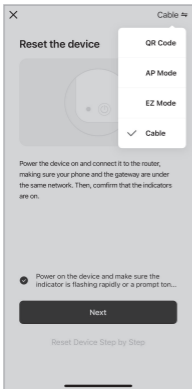
4) The addition is successful, click Finish.



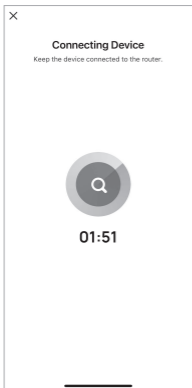
Method 2: Add Manually

Prerequisite: Power on the device and connect the device to the router so that the phone and the device are on the same network.

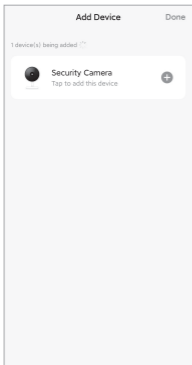
1) Select "Camera & Lock"- "Smart Camera (Wi-Fi)".



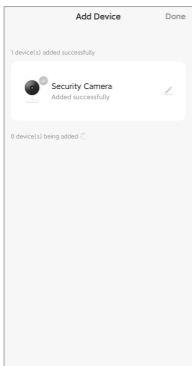
2) Select the cable in the upper right corner, Then click the "Next" button.



3) The search process may take to two minutes, please do not perform any operations during this time.



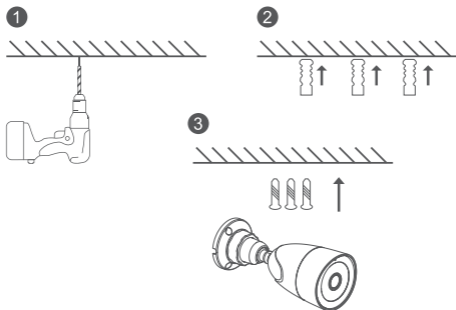
4) Search for a device,click the + sign to add the device



5) After binding successfully, take a name for the device; click Done.

2. Camera Installation Method:

- ① Drill three guide hole wall panels according to the hole position of the camera bracket.
- ② Insert the plastic plug into the hole.
- ③ Align the base of the camera bracket with the hole on the wall, and then screw in the screw to fix it.



V. Function Description

1. Definition: 4MP (2560*1440) ultra-clear resolution, the picture is clear, delicate and vivid.
2. Two-way audio: Bring you real-time intercom, making communication easier.
3. Night vision: The device will automatically turn on the night vision function according to the ambient light. Night vision mode supports infrared mode (black and white drawing), white light mode (when the environment is dark, white light is automatically turned on and the picture is colored), smart mode (human shape detection is enabled by default, and linked white light triggers); it can be selected and switched according to the needs of the scene .
4. Video storage: video and screenshots, support long-term online high-definition video and screenshots, support storage and playback.
Note: When the Micro SD card is full, the new video file will automatically overwrite the previous video file.
5. Cloud storage: Cloud storage can keep records even if the device is stolen or damaged.
6. Motion detection: support motion detection alarm function. When an object moves in the detection area, an alarm message will be sent to the mobile phone in time.
7. Humanoid detection: Support humanoid detection and alarm functions. When a human body is detected in the detection area, an alarm message will be sent to the mobile phone in time.
8. Sound detection: Support sound detection and alarm function. When an abnormal sound is detected nearby, an alarm message will be sent to the mobile phone in time.
9. Light linkage: select the smart mode for night vision mode, when a human figure is detected, the white light is always on for 30S. Light switches and SOS alarms can also be manually controlled.
10. Support ONVIF protocol: The camera supports ONVIF protocol, can be connected to NVR and ONVIF protocol tools that support ONVIF protocol, and can be monitored in real time.

VI. Common Problem

Q: How to check if the camera is offline abnormally?

A: 1. Check whether the power supply and network are normal.
2. Plug and unplug the power again to restart the device.
3. Reconfigure the camera.

Q: Is it normal for the device to heat up?

A: There will be a certain degree of heat when the camera is working normally, which is normal. Please rest assured. Applicable temperature range: -10°C to +50°C.

Q: What are the precautions for using the equipment?

A: In order to obtain a better night vision imaging effect, please avoid the camera facing reflective objects, such as the glass and white walls on the front and side of the lens, so as not to cause the nearby screen to shine or to turn white in the distance.



iSmart Home
IOT IP Camera (with POE)