

Storz Coupling

The Storz system is a hermaphrodite, symmetrical coupling which is connected by two internal lugs. The internal dimension between these two lugs (often referred to as the KA distance) determines the coupling size. In some cases the size of coupling is available in a range of tail sizes. The larger size 150, 205 and 250 couplings are supplied with a three lug connection. Suitable for both suction and delivery applications.

| Storz Connection | ka (mm - lug distance) | Hose Tail (mm) |
|------------------|------------------------|----------------|
| 25 - D | 31 | 15 |
| 25 - D | 31 | 19 |
| 25 - D | 31 | 25 |
| 32 | 44 | 32 |
| 38 | 51 | 38 |
| 45 | 59 | 45 |
| 52 - C | 66 | 19 |
| 52 - C | 66 | 25 |
| 52 - C | 66 | 32 |
| 52 - C | 66 | 38 |
| 52 - C | 66 | 42 |
| 52 - C | 66 | 45 |
| 52 - C | 66 | 52 |
| 52 - C | 66 | 64 |
| 65 | 81 | 38 |
| 65 | 81 | 52 |
| 65 | 81 | 64 |
| 65 | 81 | 70 |
| 75 - B | 89 | 52 |
| 75 - B | 89 | 65 |
| 75 - B | 89 | 70 |
| 75 - B | 89 | 75 |
| 90 | 105 | 90 |
| 100 | 115 | 101 |
| 110 - A | 133 | 102 |
| 110 - A | 133 | 110 |
| 125 | 148 | 125 |
| 135 | 159 | 135 |
| 150* | 160 | 150 |
| 165 | 188 | 195 |
| 205* | 220 | 203 |
| 205 | 220 | 203 |
| 250* | 278 | 256 |

* 3 lug configuration, working pressure 16 bar

LOCKING DEVICES:

For additional security the couplings can be fitted with a locking facility as an additional safeguard. A keylock version is also available upon request.



FOLDING HANDLES:

Couplings fitted with two folding handles allow easier and quicker connection without the use of a coupling spanner.

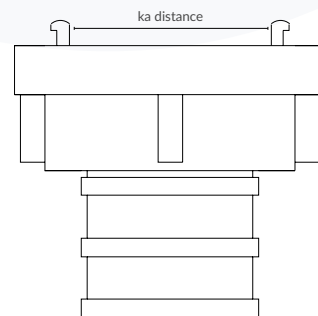


SEGMENTAL BINDING:

The three piece segmental binding facilitates on site connection to hose with a hexagonal key. Not available for all hose tail sizes and require specific hose tails.



MATERIALS: Light Alloy, Gun Metal, Brass, Anodised, Stainless Steel and colour anodised finishes available.





Male thread



Female thread

Storz Adaptors

Storz adaptors are available with both male and female threads. The connection size of the adaptor is determined by the internal dimension between the lugs (the KA distance).

LOCKING DEVICES:

For additional security the couplings can be fitted with a locking facility as an additional safeguard. A keylock version is also available upon request.



SWIVEL OPTION:

To facilitate flexibility between connections.



STORZ TO STORZ:

Facilitates one connection size to another. Swivel connection as standard.



MATERIALS: Light Alloy, Gun Metal, Brass, Anodised, Stainless Steel and colour coded paint finishes available.

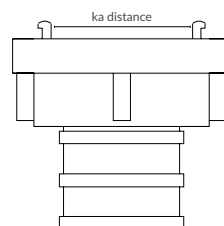
BLANKING CAPS: Supplied with chain as standard to suit all couplings and adaptors. Drain valve, cap locking device and polypropylene options available.



Cap locking device



Drain valve options



Polypropylene caps

| Storz Connection | ka (mm-lug distance) | BSP Female (inch) | BSP Male (inch) |
|------------------|----------------------|--|--|
| 25 - D | 31 | 3/4 1 1 1/4 | 1/2 1 1 1/4 |
| 32 | 44 | 1 | 1 1/4 |
| 38 | 51 | 1 1/4 1 1/2 2 | 1 1/4 |
| 45 | 59 | 1 1/2 2 | |
| 52 - C | 66 | 3/4 1 1 1/4 1 1/2 2 2 1/2 | 3/4 1 1 1/4 1 1/2 2 2 1/2 |
| 65 | 81 | 1 1/2 2 2 1/2 3 | 2 2 1/2 3 |
| 75 - B | 89 | 2 2 1/2 3 | 2 2 1/2 3 |
| 90 | 105 | 3 | |
| 100 | 115 | 4 | 4 |
| 110 - A | 133 | 4 4 1/2 5 | 4 |
| 125 | 148 | 4 4 1/2 5 | |
| 135 | 159 | 5 1/2 | |
| 150* | 160 | 6 | 6 |
| 165 | 188 | 7 | |
| 205* | 220 | 8 | 8 |
| 205 | 220 | 8 | 8 |
| 250* | 278 | 10 | |

* 3 lug configuration, working pressure 16 bar, NP / NPT Thread option available with some sizes