



Collection 2024

TECH BOOK



P/N 192482 Rev 0 04/02/24

CONTENTS

General Information.....	2-3
Fury 2023-2024.....	4-6
Fury 2019-2022.....	8-9
Force Carbon 29.....2021-202.....	10-12
Force Alloy..... 2019-2023.....	13-14
Sensor Carbon 2023.....	16-18
Sensor Alloy 2023.....	20-22
Zaskar/Stomper FS 2023.....	23-25
Zaskar LT 2020-2022.....	26
Grade Carbon..... 2023.....	27
Grade Alloy..... 2023.....	28
Grade..... 2020-2023.....	29-30
ePantera 2020-2023.....	31
eForce 2020-2023.....	32-33
Power Performer..... 2020-2023.....	34
eGrade.....	35
LockR Pivot	36
Core..... 2023.....	37-38
BMX 2023.....	39-46
Rear Derailleur Hangers 2023.....	47-49
Freehub Bodies 2023.....	50-51
Notes.....	52

General Information

About this Tech Book

- The information in this Tech Book manual is intended for Authorized GT Dealers and Distributors. Information updates are performed periodically and the most recent date of an update is displayed in the lower left corner of each page. GT reserves the right to make product improvements and changes at any time without prior notice. No part of this Tech Book manual may be reproduced without prior written permission.
- The latest version of this Tech Book manual is available in PDF format at: <https://gtbicycles.com/pages/tech-downloads>.
- The exploded views, illustrations, and photographs are intended only as an aid to identification of available replacement parts. The frame specifications table are intended as a guide to frame and component compatibility, not the suitability of any particular part. Ultimately, questions about part compatibility should be answered by experienced bike mechanics or be directed to GT Technical Support before ordering.
- This Tech Book manual is NOT a complete or comprehensive service manual for the listed products. To obtain product manuals, recall information, service bulletins and/or installation instructions please visit: b2b.cyclingsportsgroup.com.
- Some service kits contain multiple parts, some contain a single part. If a service kit contains multiple individual parts (e.g. O-rings, fasteners, pivot axles), the multiple parts will be identified by a single kit- A, B, C...

Servicing Guidelines

- Use a properly calibrated torque wrench when tightening fasteners. Tighten fasteners to the specified torque value. Clean and apply specified high-quality thread-locking agent (e.g. Loctite™) or grease to the fastener threads.
- Whenever replacing a service wear item, also replace any related seals, O-rings, and circlips with new ones.
- When replacing parts that have been damaged due to a crash or impact, be sure to clean and inspect other parts for damage. Take corrective action before replacing damaged or broken parts.
- Damaged or removed bearings should not be re-used. Install new bearings as a set and use the correct bearing tools.
- Always thoroughly clean all parts and surfaces before assembly. Use a clean, dry shop towel. Do not use automotive spray chemicals or harsh abrasives to clean; damage to parts, finishes, or decals can result.
- All screws, nuts, bolts, etc. are metric unless noted otherwise.
- Always use the specified high-quality tools, liquids, and lubricants where indicated.

Warranty

For consumer warranty policy: please refer to the GT Limited Warranty available at www.gtbicycles.com





For dealer warranty guidelines and claims processes: to resolve any warranty issues customers may have, please refer to our Warranty section at b2b.cyclingsportsgroup.com.

Service Instructions, Technical Support, and Ordering:

For service instructions, technical support and ordering service kits please visit b2b.cyclingsportsgroup.com.

Symbols:

This TECH BOOK uses some icons, abbreviations, and symbols to simplify the information presented on each page. They are:

Symbol	Name	Description
	Safety alert symbol	Indicates that a specification or part number is safety related. Observe the specification indicated and/or use only the kit part number indicated for replacements; do not substitute other parts.
	NGLI-2 synthetic grease	Apply NGLI-2 synthetic grease.
	Carbon Gel	Apply carbon gel (friction paste) KF115/
	Medium-strength removable thread lock	Apply Loctite® 242 (blue) or equivalent.
N·m	Newton meter	Indicates the specified tightening torque for the fastener. Use a correctly sized and calibrated torque wrench.

Abbreviations:

ACB - Angular Contact Bearing
 ALLY - Alloy
 BB - Bottom Bracket
 BCD - Bolt Circle Diameter
 BLK - Black
 BRGS - Bearings
 BRK - Brake
 CBL - Cable
 CR - Chain Ring
 CRB - Carbon (composite)
 CS - Chain Stay
 CSG - Cycling Sports Group
 DIA. - Diameter
 DO - Dropout
 DS - Drive Side
 DT - Down Tube
 EXT - External

FD - Front Derailleur
 FT - Front
 FTTR - Front Triangle
 GRDS - Guard
 GRN - Green
 HDWE - Hardware
 HGR - Hanger
 HT - Head Tube
 I.D. - Inside Diameter
 in - Inches
 INT - Internal
 kg - kilograms
 kgf - kilogram-force
 lbs - pounds
 LFT - Left
 LNK - Link
 LWR - Lower
 MAX. - Maximum

MIN. - Minimum
 MP - Main Pivot
 mm - millimeters
 MNT - Mount
 MTN - Mountain
 N / A - Not Applicable
 NDS - Non-Drive Side
 -- Not Pictured
 N·m - Newton Meter
 O.D. - Outside Diameter
 ORG - Orange
 p / n - Part Number
 psi - pounds per square inch
 QR - Quick Release
 QTY - Quantity
 RD - Rear Derailleur
 RGT - Right
 RR - Rear

SST - Seat Stay
 ST - Seat Tube
 TA - Thru-Axle
 TC - Top Cap
 w / - With
 WHT - White
 Wmn - Womens'
 UPR - Upper

Fury

2023

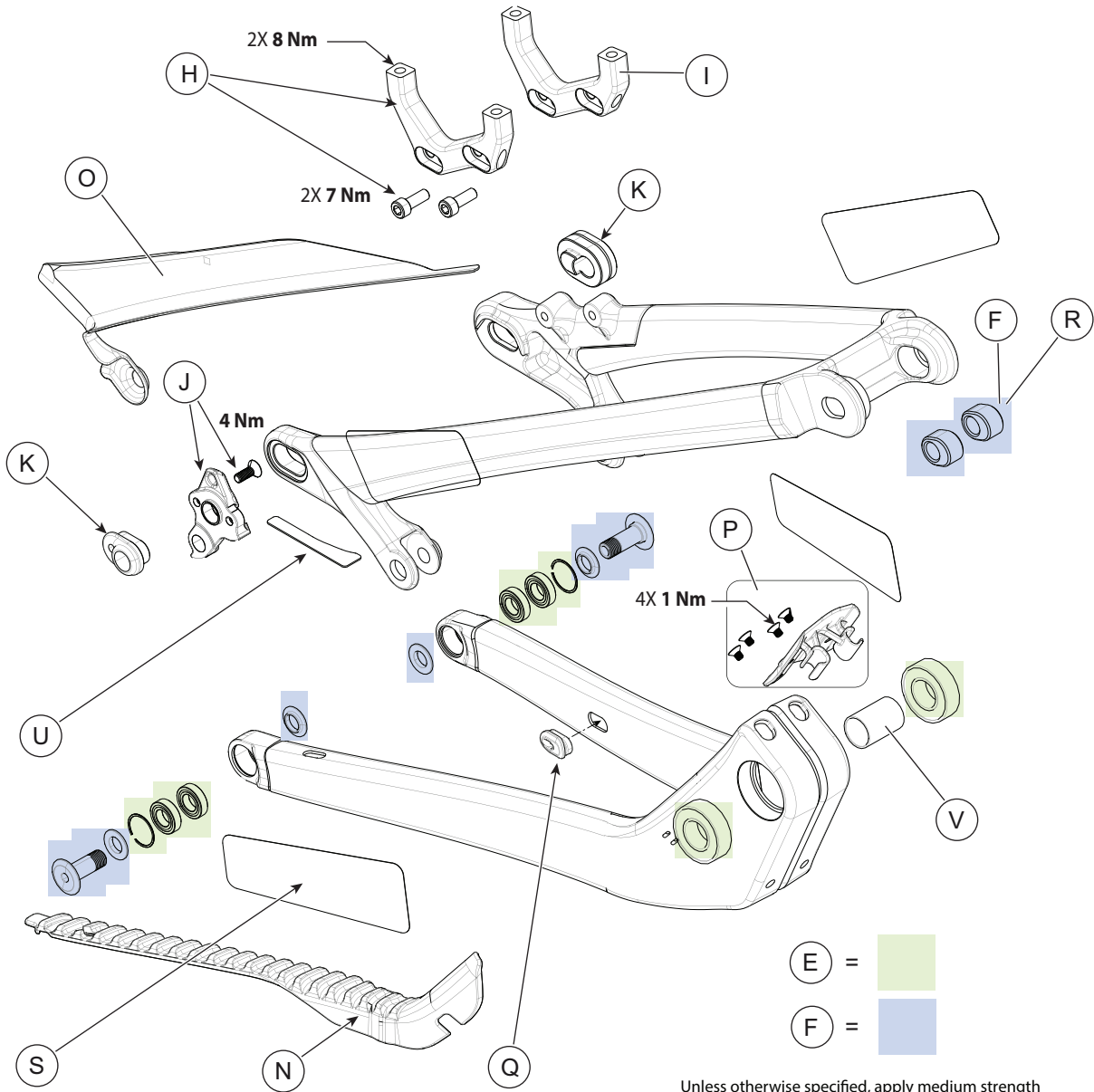
Item	Specification	
Wheel Size	REAR: 27.5 or 29	FRONT: 29 in only
Rear Travel	213mm, 205mm	
Head Tube	UPR: ZS49 LWR ZS49	
Headset	FSA Orbit Z 1.5r Semi-Integrated ZS49/28.6 top, ZS49/30 Lower"	
Bottom Bracket: Type/Width	BSA Threaded/83mm	
Front Derailleur	N/A	
Seat Post: Dia./Binder	31.6mm/34.9mm	
▲ Min. Seat Post Insert	MD: 100mm LG: 110mm XL: 120mm	
Tire Size x Max. Tire Width	REAR :27.5" x 2.5" (measured), FRONT: 29" x 2.5" (measured)	
▲ Max. Fork Length	615.5mm	
Rear Shock: Eye-to-Eye / Stroke / Bushing Width	225mm x 75mm Metric Trunnion/30mm x M10	
Sag	25%-30%, 17.1mm-20.6mm	
Chain Guide	ISCG05	
Rear Brake: Mount Type / Min./Max. Rotor Dia.	Post Mount/200mm/223mm	
Rear Axle: Type/Length	148x12 Maxle TA M12x1.75p 188mm Overall Length	
Chain Line	56.5mm-57.9mm	
▲ Intended Use	ASTM CONDITION 5: Downhill	
▲ Max. Weight Limit: Total (Rider+All Equipment)	305lbs/138kg	
Additional Technical Features	Tube in Tube Cable Routing	

ID	Part Number	Description	VIEW
A	K34033	Fury Fork Bumpers L+R	2
B	K22011	FS Idler Pulley w/ Bearing	2
C	K22091	Force/Fury Idler Bolt and Spacer	2
D	K91003	Fury Shock Link (incl. bearings, assembled)	2
E	K36003	Fury Link/CS/SS/Pivot Bearings	1,2
F	K36013	Fury Link/CS/SS/Pivot Hardware	1,2
G	K36023	Fury Shock Bolts w/Flip Chips	2
H	K24003	Fury Post Mount Brake Adapter 203mm	1
I	K31011	FS Crb 29 Post Mount Brake Adapter	1
J	K33013	Derailleur Hanger TA ST SS 092	1
K	K36161	LTS Thru Axle Dropout Flip Chips	1
L	K11023	Fury Chain Guide	2
M	K34043	Fury DT Protector	2
N	K34053	Fury CS Protector	1
O	K34063	Fury SS Protector	1
P	K11033	Fury Rear Fender	1
Q	KP312/	Open Oval Grommet x10	1
R	K36033	Fury Wheel Size Flip Chips	1
S	K34551	LTS Heel Rub Guards	1
T	K32143	HT Cable Plug Qty4	2
U	K34273	Horst Link Protection Pad	1
V	K36093	17x28mm MP Bearing Spacer	1
W	K36103	17x12mm Link Bearing Spacer	2

Fury

2023

VIEW I



Unless otherwise specified, apply medium strength (Loctite 242 (blue) removable thread locker 180 degrees on all bolt threads.

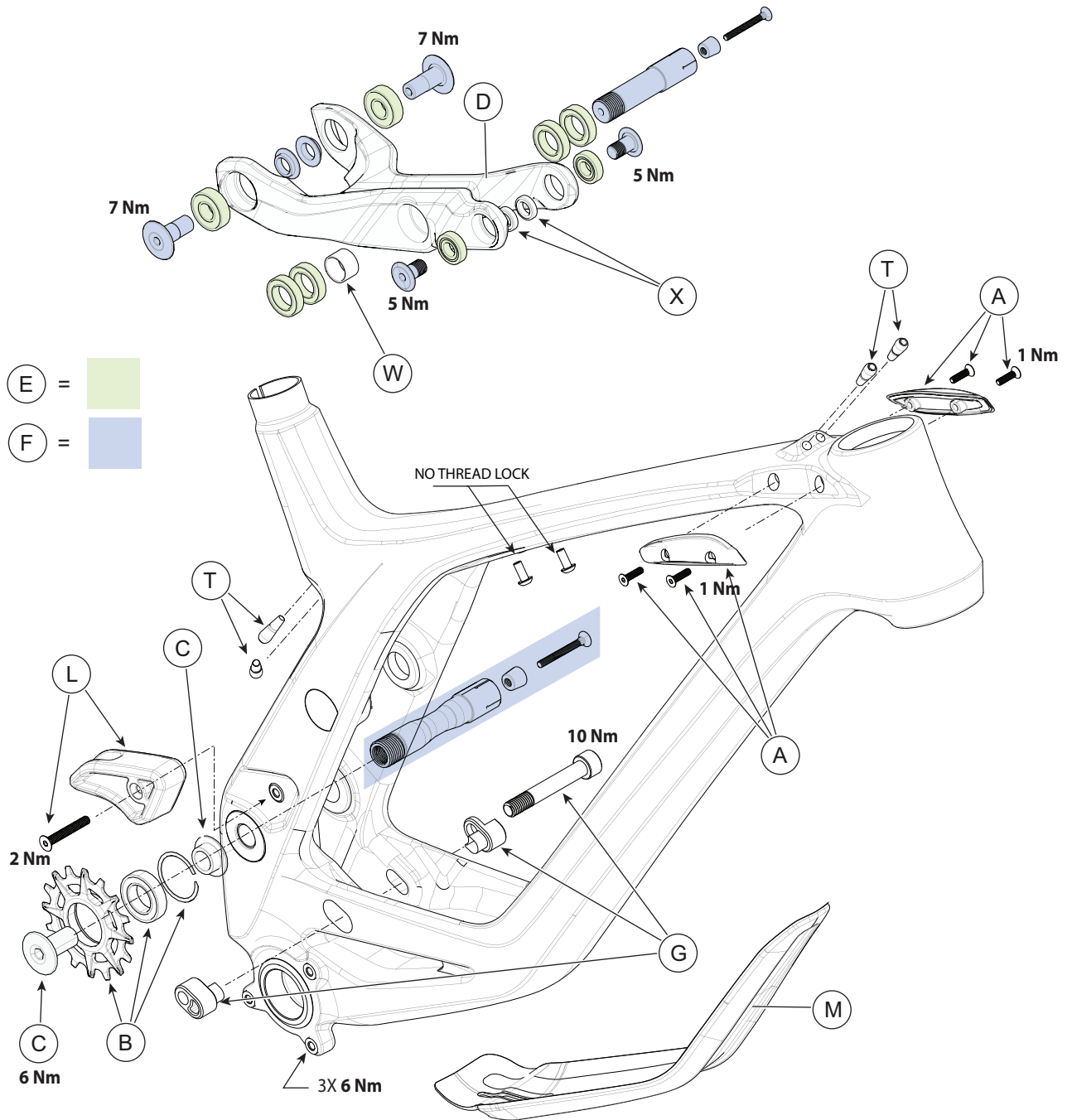
Lightly grease all bearings before press fit.

Lightly grease under all counter-sink bolt heads.

Fury

2023

VIEW 2



Unless otherwise specified, apply medium strength (Loctite 242 (blue) removable thread locker 180 degrees on all bolt threads.

Lightly grease all bearings before press fit.

Lightly grease under all counter-sink bolt heads.

Platform

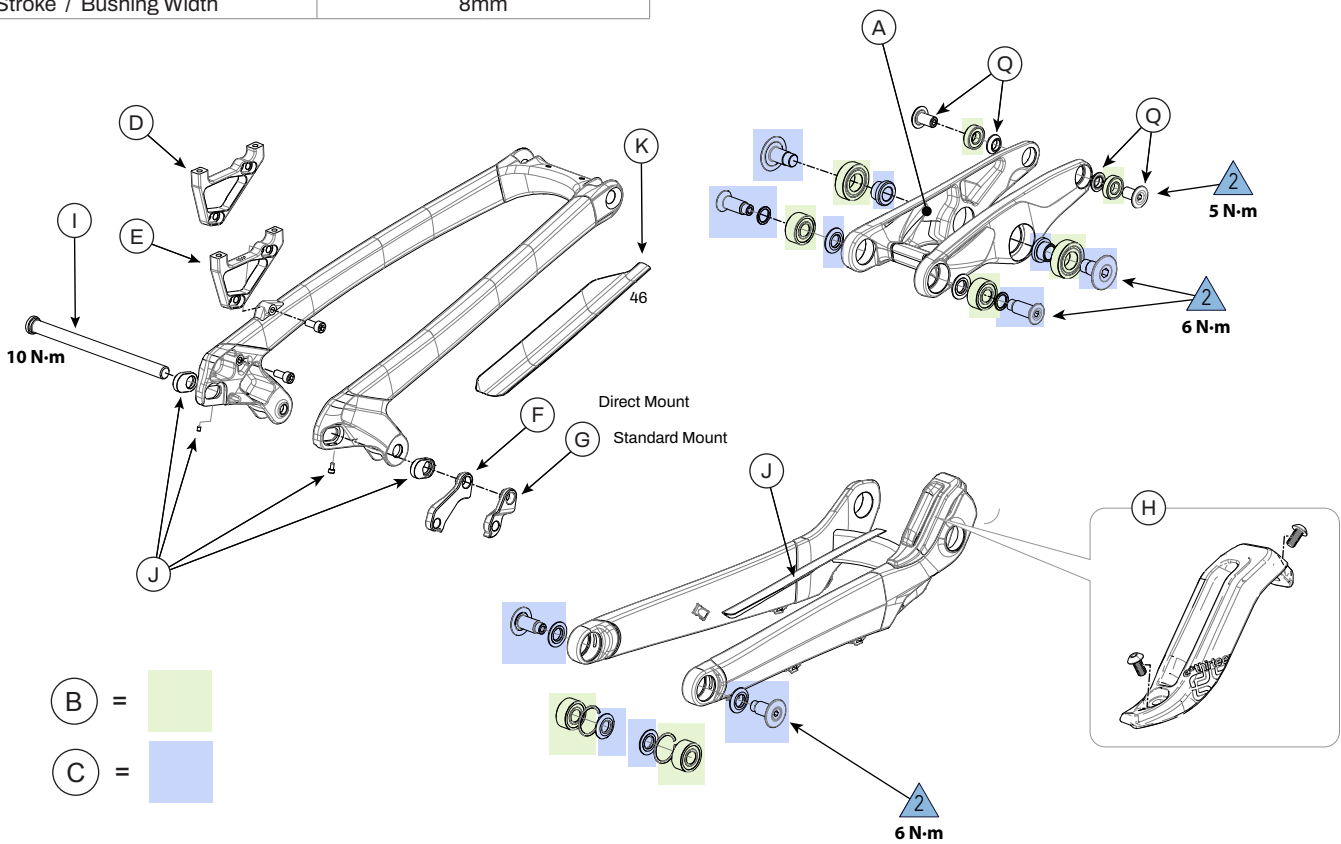
This page has been left blank intentionally.

Fury

2019 - 2022

Item	Specification	
Wheel Size	27.5 in	29 in
Rear Travel	200 mm	190mm
Head Tube	1.5 in with Fury Specific Cups	
Headset	UPR: 1-1 / 8 in (41.1 mm OD), LWR: 1-1 / 8 in (41.1 mm OD)	
Bottom Bracket: Type / Width	BSA / 83 mm	
Front Derailleur	N / A	
Seat Post: Dia. / Binder	31.6 mm / 34.9 mm	
▲ Min. Seat Post Insert	100 mm	
▲ Tire Size x Max. Width (measured)	27.5 in x 2.6 in	29 in x 2.5 in
▲ Max. Fork Length	595 mm	600 mm
Rear Shock: Eye-To-Eye / Stroke / Bushing Width	225 mm / 75 mm / 22.2 mm x 8mm	

Item	Specification	
Wheel Size	27.5 in	29 in
Sag (measured at the shock)	17.1 mm recommended / 20.6 mm Max.	17.5 mm recommended / 20.8 mm Max.
Chain Guide	Chainstay Integrated Idler with ISCG 05	
Rear Brake: Mount Type / Min / Max Rotor Dia.	Post Mount / 203 mm Shimano, 200 mm SRAM	
Rear Axle: Type / Length	Fury Specific TA / 148 x 12 mm	
▲ Intended Use	ASTM CONDITION 5, Downhill	
▲ Max. Weight Limit Total (rider+all equipment):	305 lbs / 138 kg	

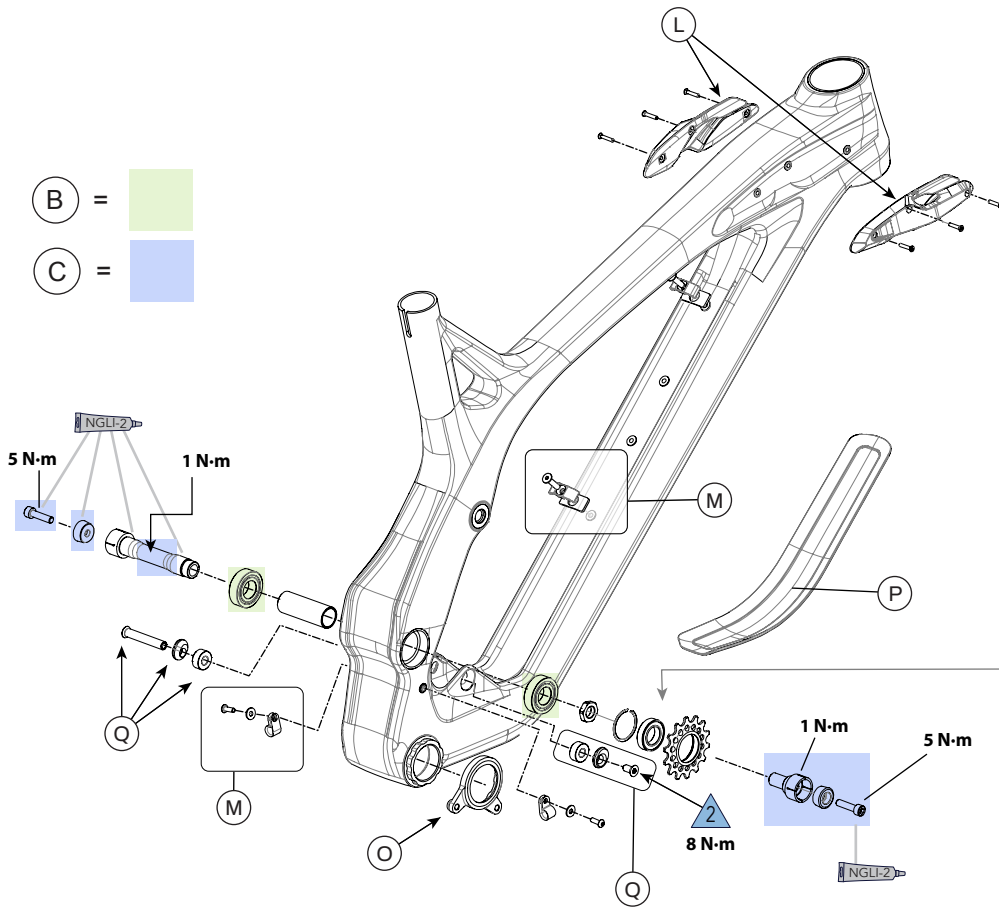


ID	Part Number	Description	27.5	29
A	K91089	Fury Suspension Link 27.5 / 29 incl. brgs	✓	✓
B	K36189	Fury Pivot CS SS Link Bearings	✓	✓
C	K36199	Fury Pivot Hardware	✓	✓
D	K31049	ISO Shimano 203 mm Brake Mnt	✓	✓
E	K31059	SRAM 200 mm Brake Mount	✓	✓
F	K33029	Derailleur Hanger TA DM SS 071	✓	✓

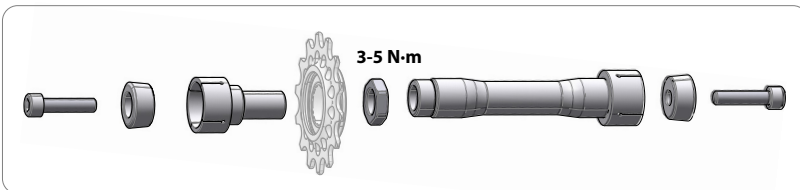
ID	Part Number	Description	27.5	29
G	K33039	Derailleur Hanger TA ST SS 072	✓	✓
H	K91109	Fury Idler Guide	✓	✓
I	K83009	Fury 148x12 Thru Axle	✓	✓
J	K34189	Fury Chainstay Protector	✓	✓
K	K34199	Fury Seatstay Protector	✓	✓
R	K91099	Dropout Thru Axle Flip Chips	✓	✓

Fury

2019 - 2022

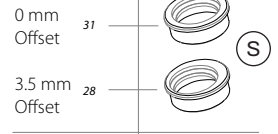


Main Pivot Assembly - Exploded View

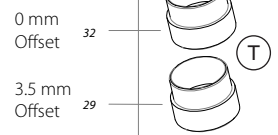


ZERO STACK OPTIONS

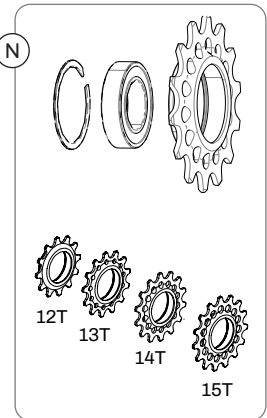
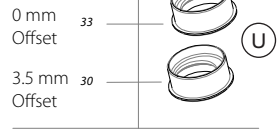
UPPER 27.5/29



LOWER 27.5



LOWER 29



ID	Part Number	Description	27.5	29
L	K34119	Fury Top Tube Fork Bumper Plates	✓	✓
M	K32039	Fury Cable Guides DT ST	✓	✓
N	K2202912	Idler Cog with Bearing 12T	✓	✓
	K2202913	Idler Cog with Bearing 13T	✓	✓
	K2202914	Idler Cog with Bearing 14T	✓	✓
	K2202915	Idler Cog with Bearing 15T	✓	✓
O	K22039	GT ISCG Mount 2 Bolt	✓	✓

ID	Part Number	Description	27.5	29
P	K34179	Fury Downtube Protector	✓	✓
Q	K36209	Fury Shock Mount Hardware	✓	✓
S,T	K3504927	Headset Cups 0mm and 3.5mm Offsets 27.5	✓	
T,U	K3504929	Headset Cups 0mm and 3.5mm Offsets 29		✓

Force Carbon 29**2021-2023**

Item	Specification
Rear Travel	160mm
Head Tube	UPR: 1-1/8" LWR: 1-1/2"
Headset	Semi-Integrated, 1-1/8" - 1-1/2"
Bottom Bracket: Type/Width	BSA/73mm
Front Derailleur	N/A
Seat Post: Dia./Binder	31.6mm / 34.9mm
Max. Seat Post Insert	SM: 250mm MD-LG: 275mm XL: 297mm
▲ Min Seat Post Insertion	100mm
▲ Tire Size x Max. Tire Width	29"x2.5 in
Max. Fork Length	588mm
Rear Shock: Eye-to-Eye / Stroke / Bushing Width	230mm / 65mm / (50x10mm UPR, 30x8mm LWR)
SAG	25%, 15 mm
Max Chainring	34t
Chain Guide	ISCG 05
Rear Brake: Mount Type / Min./Max. Rotor Dia.	Post Mount / 180mm / 203mm
Rear Axle: Type/Length	Maxle TA / 148x12mm / 188mm Overall Length
▲ Intended Use	ASTM CONDITION 4, All-Mountain
Max. Weight Limit: Total (Rider+All Equipment)	305 lbs / 138 kg

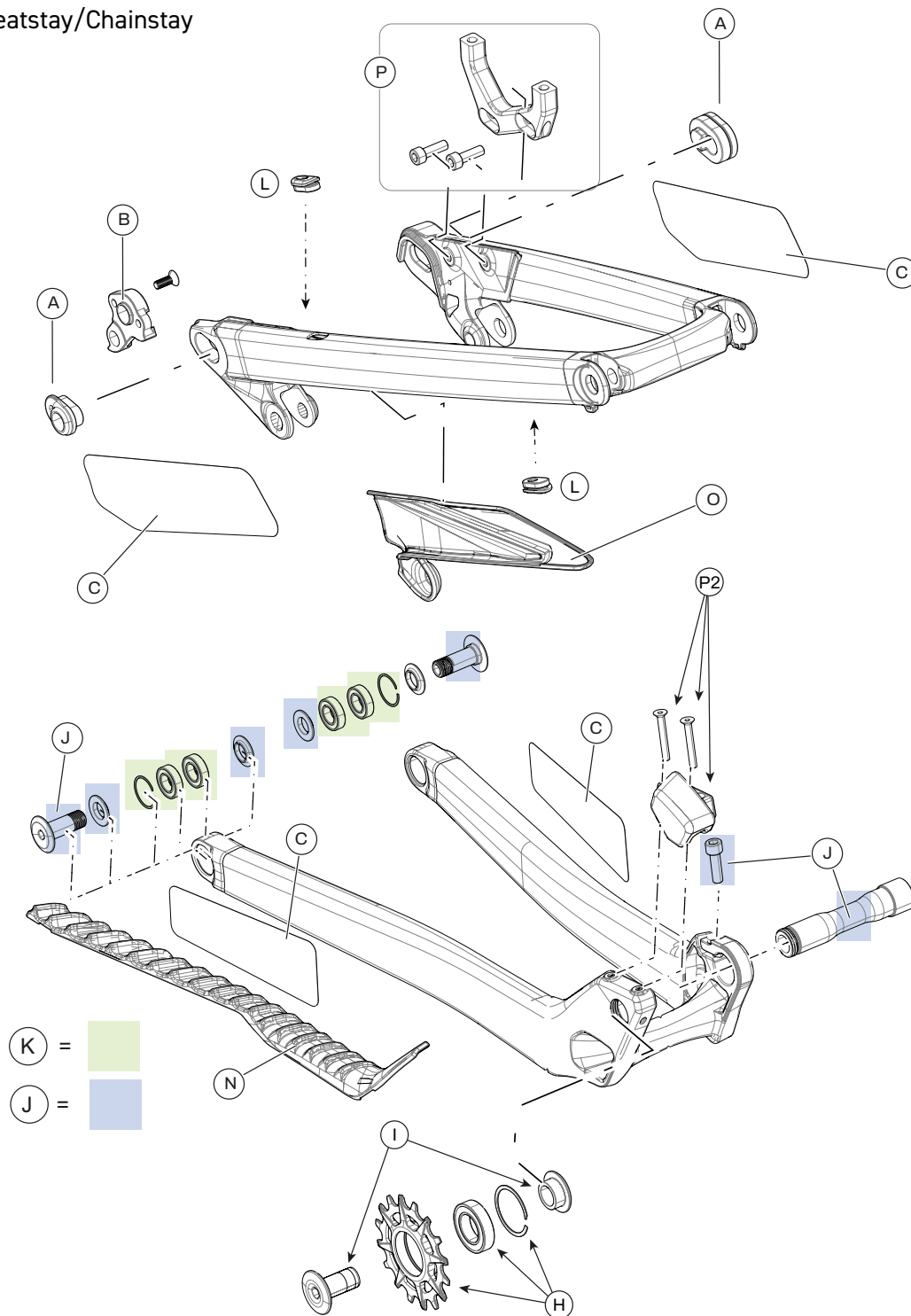
ID	Part Number	Description	VIEW(s)
A	K36161	LTS Thru Axle Dropout Flip Chips	1
B	K33091	Derailleur Hanger TA ST SS 085	1
C	K34531	LTS SS Clear Frame Protection	1,2
D	K34541	DT Clear Frame Protection	2
E	K34551	LTS Heel Rub Guards	1,2
F	K36191	Force Crb Shock Bolts	2
G	K91101	Force Crb Suspension Link	1
H	K22011	FS Idler Pulley w/ Bearing	2
I	K22091	Force Crb Idler Bolt and Spacer	1
J	K36171	Force Crb Pivot Link CS Hardware	1
K	K36181	Force Crb Pivot Link CS Bearings	1,2
L	KP312/	Open Oval Grommet x10	1,2
M	K34009	LTS DT Protector 130/150/160	2
N	K34561	Force Crb CS Protector	1
O	K34571	Force Crb SS Protector	1
P	K31011	Force Crb Post Mount Brake Adapter	1
P2	K11132	Force Crb 29 Idler Guide	1

Force Carbon 29

2021-2023

VIEW I

Seatstay/Chainstay

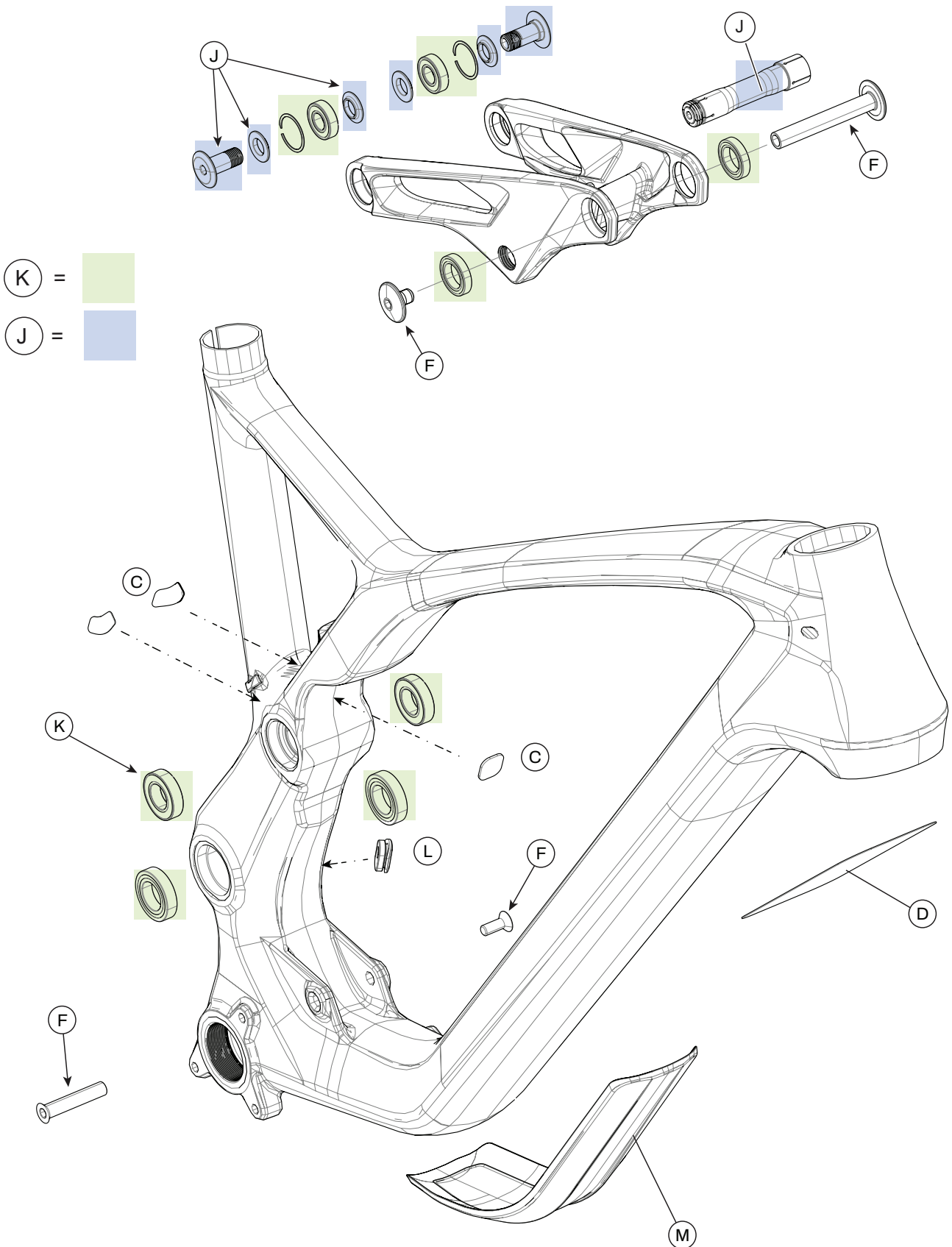


Force Carbon 29

2021-2023

VIEW 2

Link/Front Triangle

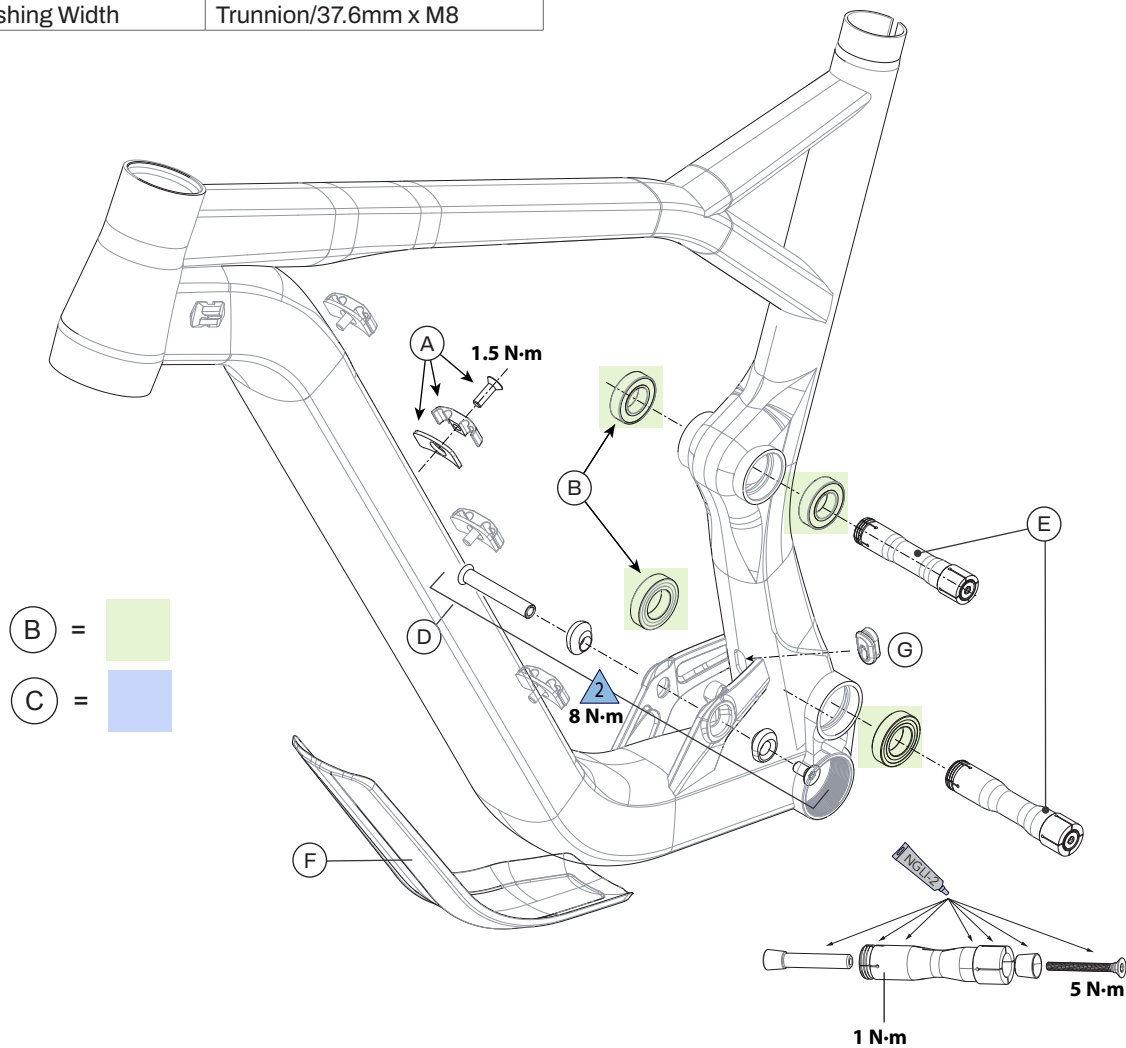


Force Alloy

2019 - 2023

Item	Specification
Rear Travel	150mm
Head Tube	UPR: 1-1/8" LWR: 1-1/2"
Headset	IS42 Top IS52 Bottom
Bottom Bracket: Type/Width	BSA/73mm
Front Derailleur	N/A
Seat Post: Dia./Binder	31.6mm/34.9mm
▲ Min. Seat Post Insert	100mm
▲ Tire Size x Max. Tire Width	29"x2.4" (measured)
▲ Max. Fork Length	581mm
Rear Shock: Eye-to-Eye / Stroke / Bushing Width	185mm x 55mm Metric Trunion/37.6mm x M8

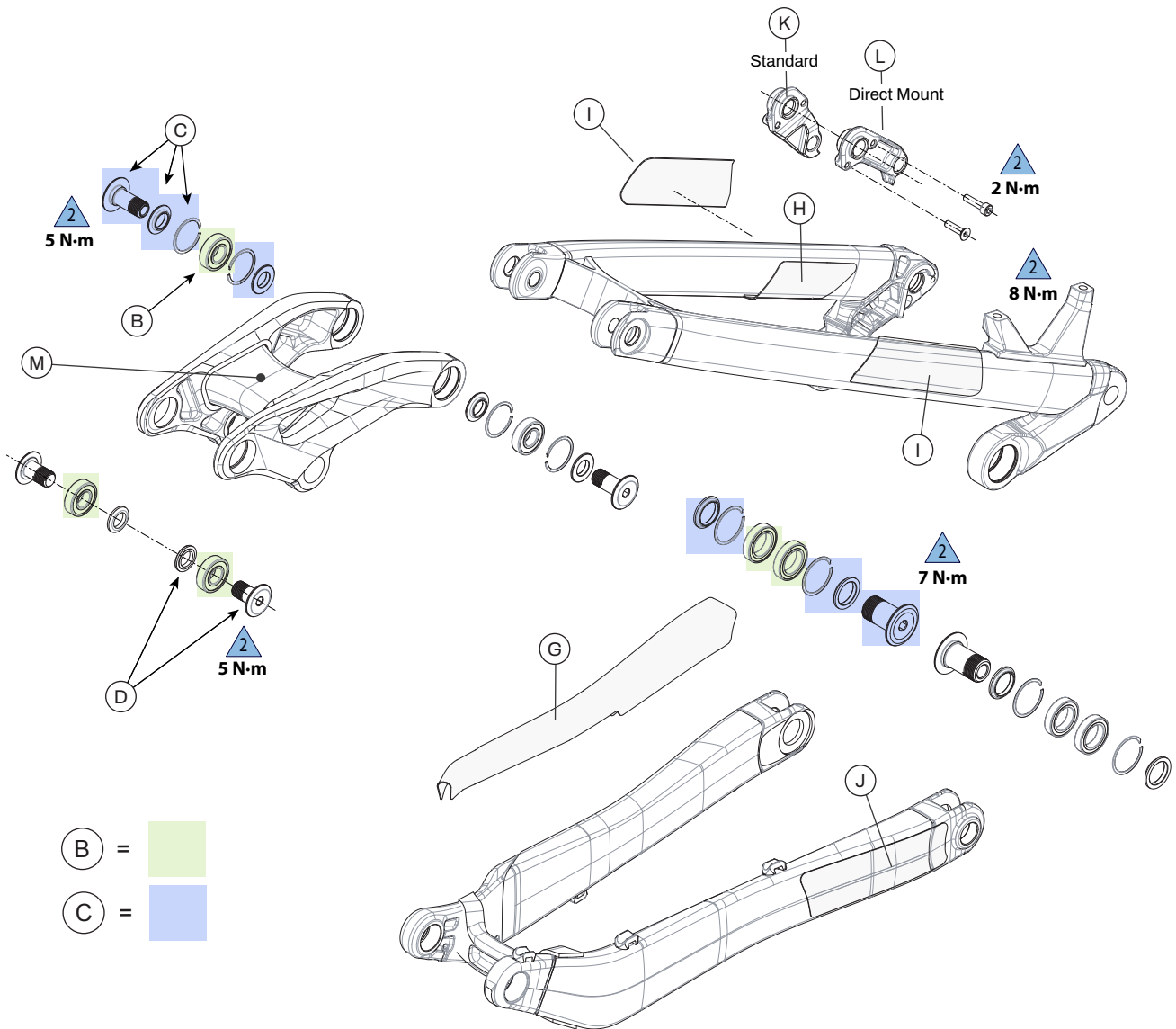
Item	Specification
Sag	12.5-14.5mm, 25%
Chain Guide	ISCG 05
Rear Brake: Mount Type / Min./Max. Rotor Dia.	Post Mount / 180mm/203mm
Rear Axle: Type/Length	Maxle TA/148x12mm, 180mm overall length
▲ Intended Use	ASTM CONDITION 4, All-Mountain
▲ Max. Weight Limit: Total (Rider+All Equipment)	305lbs/138kg



ID	Part Number	Description
A	K32008	GT Mountain Cable Guide x4
B	K36008	LTS Bearings 130/150/160
C	K36028	LTS CS SS Hardware 130/150/160
D	K36038	LTS Shock Bolts Flip Chips 130/150/160
E	K36009	Expanding Axle Hardware 79mm and 87mm
F	K34009	LTS DT Protector 130/150/160

Force Alloy

2019 - 2023



ID	Part Number	Description
G	K34019	LTS CS Protector 130/150/160
H	K34029	LTS SS Protector 130/150/160
I	K34039	LTS Heel Rub Protector 130/150/160
J	K34049	LTS CS Heel Rub Protector 130/150/160
K	KG0006N02	Derailleur Hanger TA ST SS 056
L	KG0007N02	Derailleur Hanger TA DM SS 057
M	K91020	Force Suspension Link 29 BLK
--	K34279	LTS Shock and ST Rub Guards 130/150/160
O	K34269	LTS Link CS Pivot Covers 130/150/160

This page has been left blank intentionally.

Sensor Carbon

2023

Item	Specification
Model	Sensor Carbon
Rear Travel	140mm
Head Tube	UPR: 1-1/8" LWR: 1-1/2"
Headset	FSA Orbit C-40 Integrated, 1-1/8"-1-1/2"
Bottom Bracket: Type/Width	BSA/73mm
Front Derailleur	N/A
Seat Post: Dia./Binder	31.6mm/34.9mm
▲ Min. Seat Post Insert	SM: 250mm MD-LG: 275mm XL:286mm
Tire Size x Max. Tire Width	29x2.5"
▲ Max. Fork Length	567.1mm
Rear Shock: Eye-to-Eye / Stroke / Bushing Width	185mm x 55mm Metric Trunnion/20mm x M8
Sag	25% - 13.75mm
Chain Guide	ISCG 05 - K22059 GT ISCG Mount 3 Bolt
Rear Brake: Mount Type / Min./Max. Rotor Dia.	Post Mount / 180mm/203mm
Rear Axle: Type/Length	Maxle UDH TA/148mm x 12mm x 1.0P, 180mm overall length
▲ Intended Use	ASTM CONDITION 4, All Mountain
▲ Max. Weight Limit: Total (Rider+All Equipment)	305lbs/138kg
Additional Technical Features	SRAM Universal Derailleur Hanger

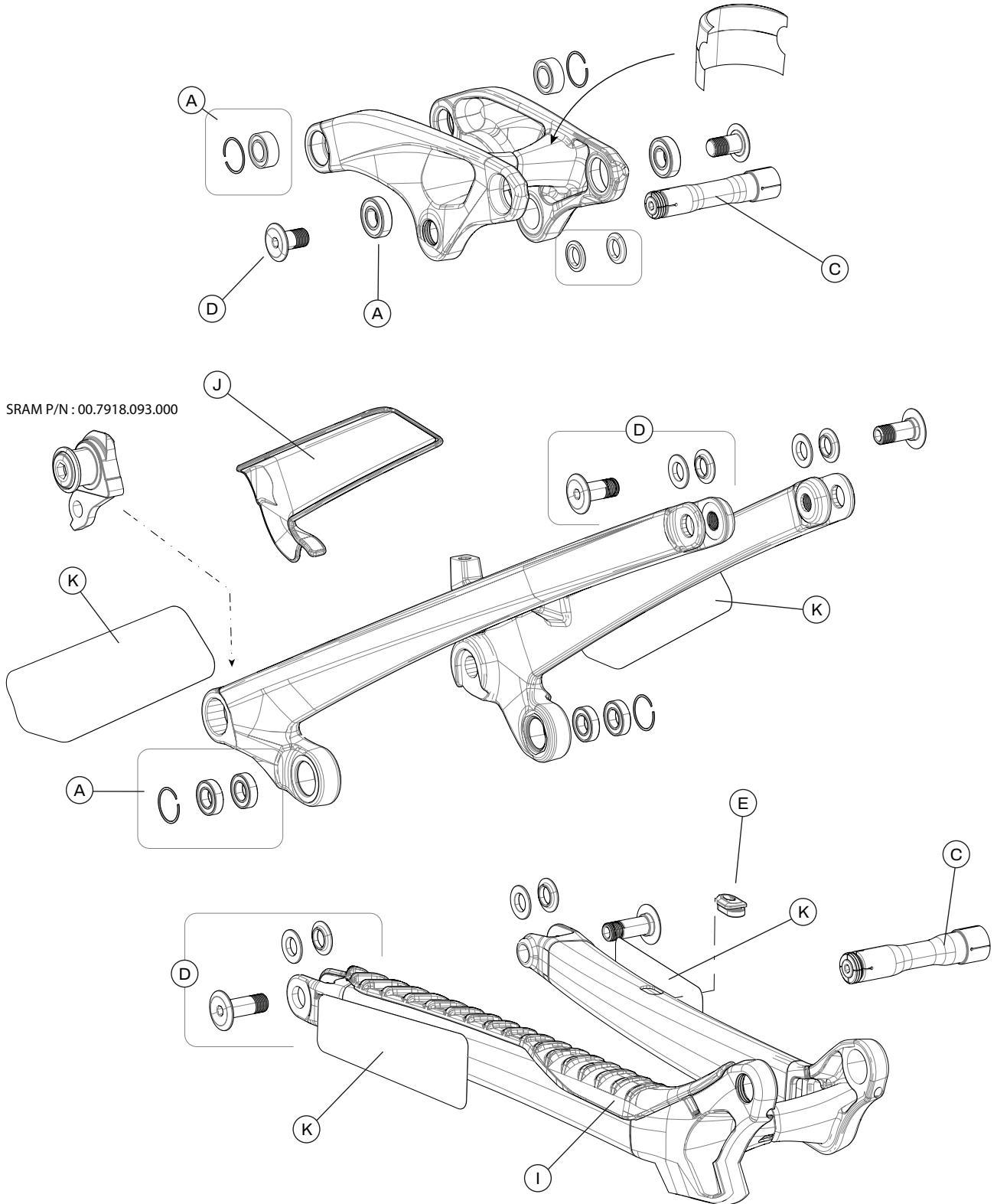
ID	Part Number	Description	VIEW(S)
A	K36112	Sensor Crb Link/CS/SS/Pivot Bearings	1,2
B	K36122	Sensor Crb Link/CS/SS/Pivot Hardware	1,2
C	K36009	Expanding Axle Hardware 79mm and 87mm	1
D	K36132	Sensor Shock Bolts	1,2
E	KP312/	Open Oval Grommet x10	1,2
F	K22059	GT ISCG Mount 3 Bolt	2
G	K91062	Sensor Crb Link	1
H	K32102	Sensor Crb DT Cable Guide	2
I	K34192	Sensor CS Frame Protector	1
J	K34202	Sensor Crb SS Frame Protector	1
K	K34212	Sensor Crb Clear Frame Protection	1,2
SRAM	Universal Derailleur Hanger Order SRAM P/N : 00.7918.093.000		

Sensor Carbon

2023

VIEW I

Link/Seatstay/Chainstay

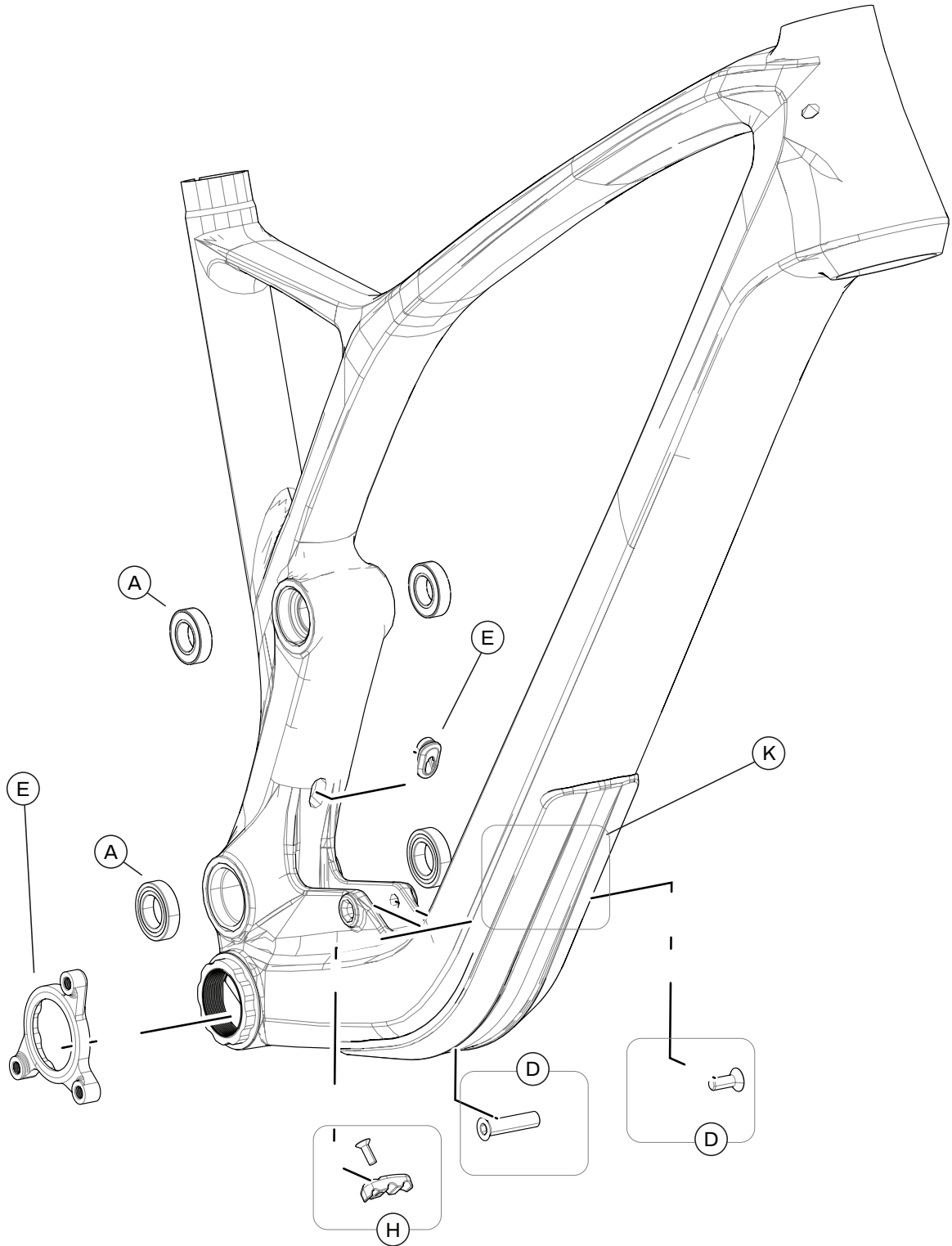


Sensor Carbon

2023

VIEW 2

Front Triangle



This page has been left blank intentionally.

Sensor Alloy

2023

Item	Specification
Rear Travel	130mm
Head Tube	UPR: 1-1/8" LWR: 1-1/2"
Headset	FSA Orbit C-40 Integrated, 1-1/8"-1-1/2"
Bottom Bracket: Type/Width	BSA/73mm
Front Derailleur	N/A
Seat Post: Dia./Binder	31.6mm/34.9mm
▲ Min. Seat Post Insert	SM: 250mm MD-LG: 275mm XL:297mm
Tire Size x Max. Tire Width	29x2.5"
▲ Max. Fork Length	557.1mm
Rear Shock: Eye-to-Eye / Stroke / Bushing Width	185mm x 50mm Metric Trunnion/20mm x M8
Sag	25%-12.5mm
Chain Guide	ISCG 05
Rear Brake: Mount Type / Min./Max. Rotor Dia.	Post Mount / 180mm/203mm
Rear Axle: Type/Length	Maxle UDH TA/148mm x12mm x 1.0P, 180mm overall length
▲ Intended Use	ASTM CONDITION 4, All Mountain
▲ Max. Weight Limit: Total (Rider+All Equipment)	305lbs/138kg
Additional Technical Features	SRAM Universal Derailleur Hanger

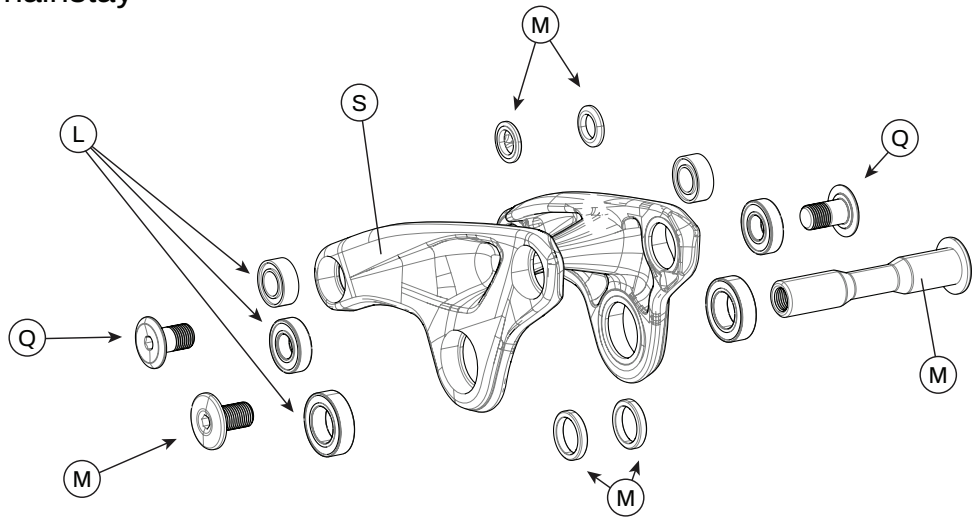
ID	Part Number	Description	VIEW(S)
L	K36142	Sensor Alloy Link/CS/SS/Pivot Bearings	1,2
M	K36152	Sensor Alloy Link/CS/SS/Pivot Hardware	1,2
	K32112	27mm Slide Guides 30mm Bolt Qty6	
	K32122	2Port Slide Guides 30mm Bolt Qty6	
	K32132	Slide Guides 30mm Bolt Qty6	
Q	K36132	Sensor Shock Bolts	1,2
R	KP312/	Open Oval Grommet x10	2
S	K91072	Sensor AI Link	1
T	K34192	Sensor CS Frame Protector	2
U	K34222	Sensor Alloy Clear Frame Protection	1,2
V	K32051	9mm ID Dropper Insulation Tubing	2
SRAM	Universal Derailleur Hanger Order SRAM P/N : 00.7918.093.000		

Sensor Alloy

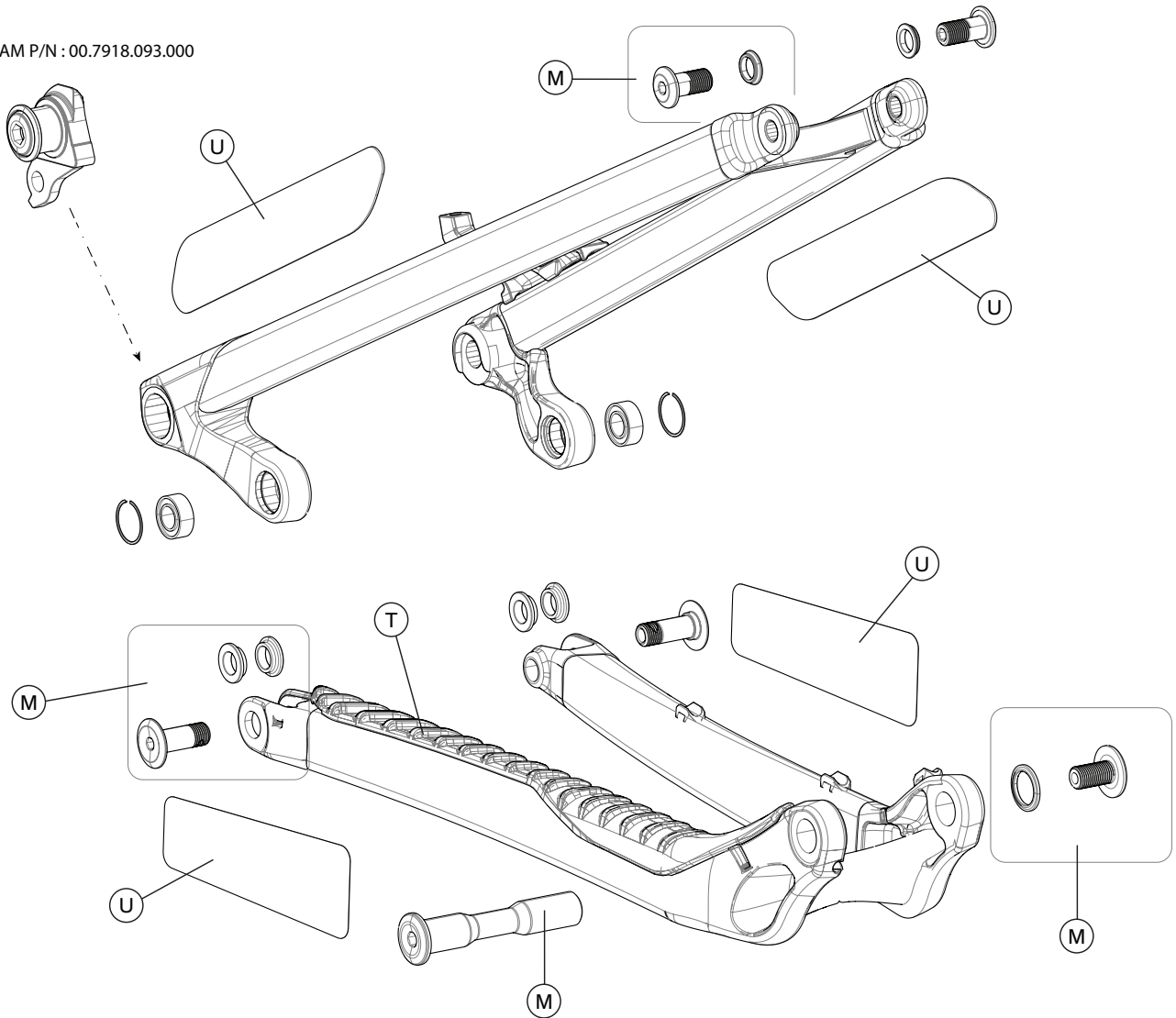
2023

VIEW 1

Link/Seatstay/Chainstay



SRAM P/N : 00.7918.093.000

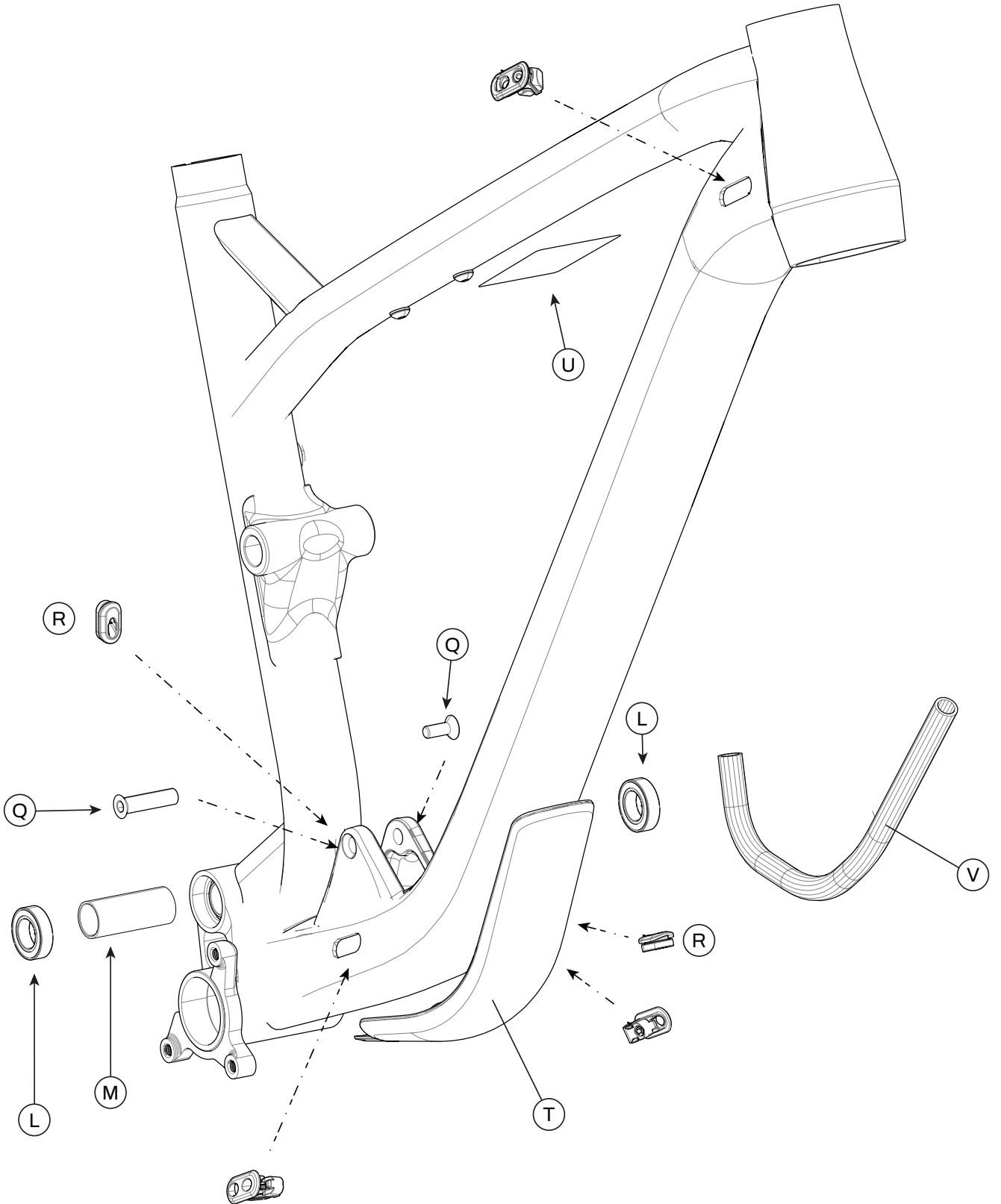


Sensor Alloy

2023

VIEW 2

Front Triangle



Zaskar / Stomper FS**2023**

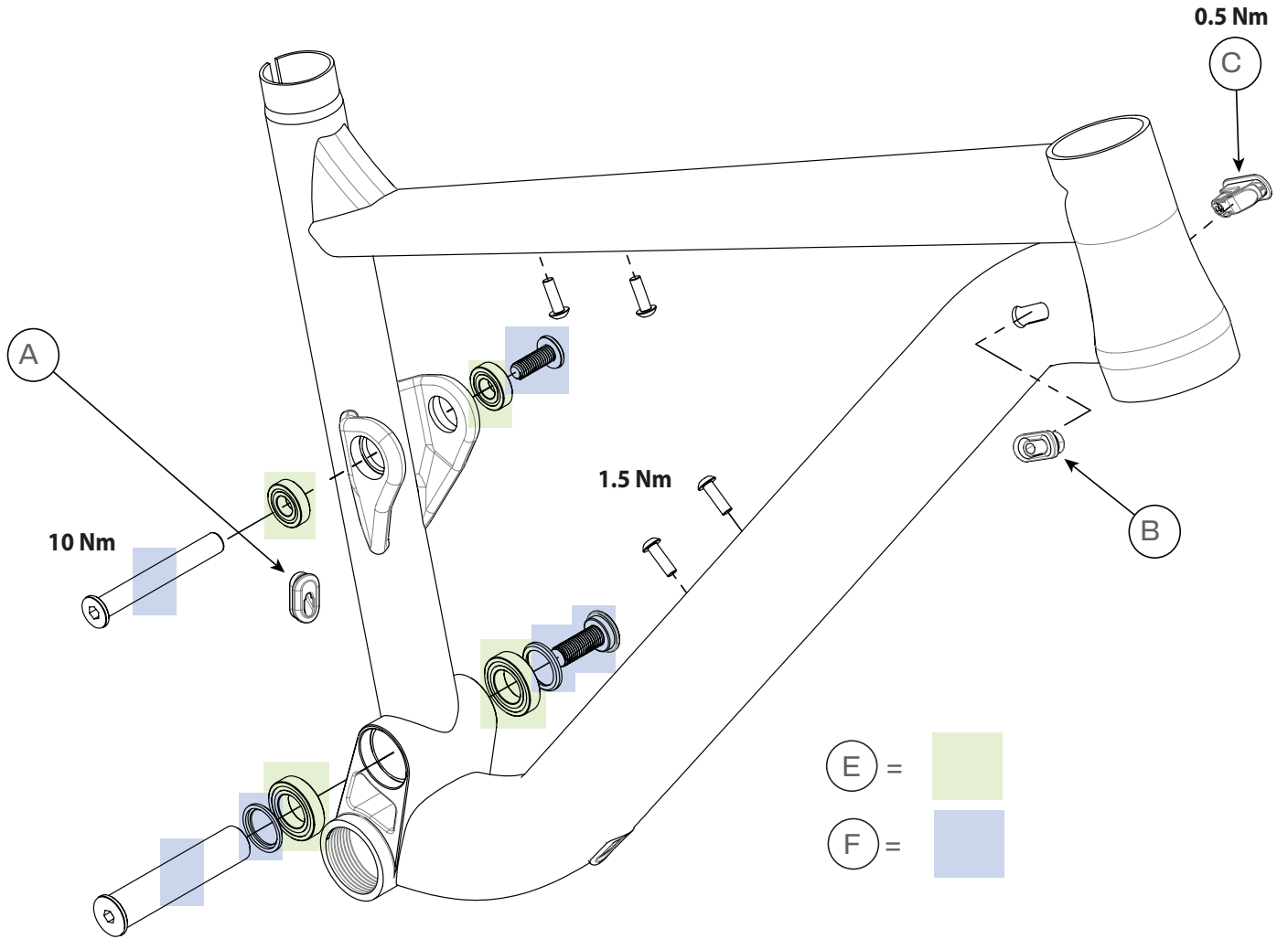
Item	Specification	
Model	Zaskar FS	Stomper FS
Rear Travel	120mm	
Head Tube	UPR: 1-1/8" LWR: 1-1/2"	
Headset	ZS44 Top ZS56 Bottom, FSA Orbit No. 57E-1	
Bottom Bracket: Type/Width	BSA/73mm	
Front Derailleur	n/a	
Seat Post: Dia./Binder	31.6mm/34.9mm	
▲ Min. Seat Post Insert	75mm	
Max. Seat Post Insert	SM: 250mm MD: 270mm LG: 350mm XL: 400mm Dropper Post: SM: 220mm MD 260mm LG 300mm XL 350mm	250mm Dropper Post: 200mm
Tire Size x Max. Tire Width	29"x2.5" (measured)	26"x2.4" (measured)
▲ Max. Fork Length	543mm	512mm
Rear Shock: Eye-to-Eye / Stroke / Bushing Width	190x40mm	190x42.5mm
Sag	10-12mm, 25-30%	11-13, 25-30%
Chain Guide	n/a	
Rear Brake: Mount Type / Min./Max. Rotor Dia.	IS Mount/180mm/203mm	
Rear Axle: Type/Length	Maxle UDH TA: 148x12mmx1.0P, 180mm Overall Length	
▲ Intended Use	ASTM CONDITION 4: All Mountain	
▲ Max. Weight Limit: Total (Rider+All Equipment)	305lbs/138kg	
Additional Technical Features	SRAM Universal Derailleur Hanger	

ID	Part Number	Description	VIEW(S)
A	KP312/	Open Oval Grommet x10	2
B	K32000	Shift/Brake Keyhole Grommets	2
C	K32122	2Port Slide Guides 30mm Bolt Qty6	2
D	K91013	FS/Kids Shock Link	1
E	K36053	FS/Kids Link/CS/SS/Pivot Bearings	1,2
F	K36063	FS/Kids Link/CS/SS/Pivot Hardware	1,2
G	K36073	FS/Kids Shock Mount Hardware	2
H	K34073	FS/Kids CS Protector	1
SRAM	Universal Derailleur Hanger Order SRAM P/N : 00.7918.093.000		2

Zaskar / Stomper FS

2023

VIEW 2



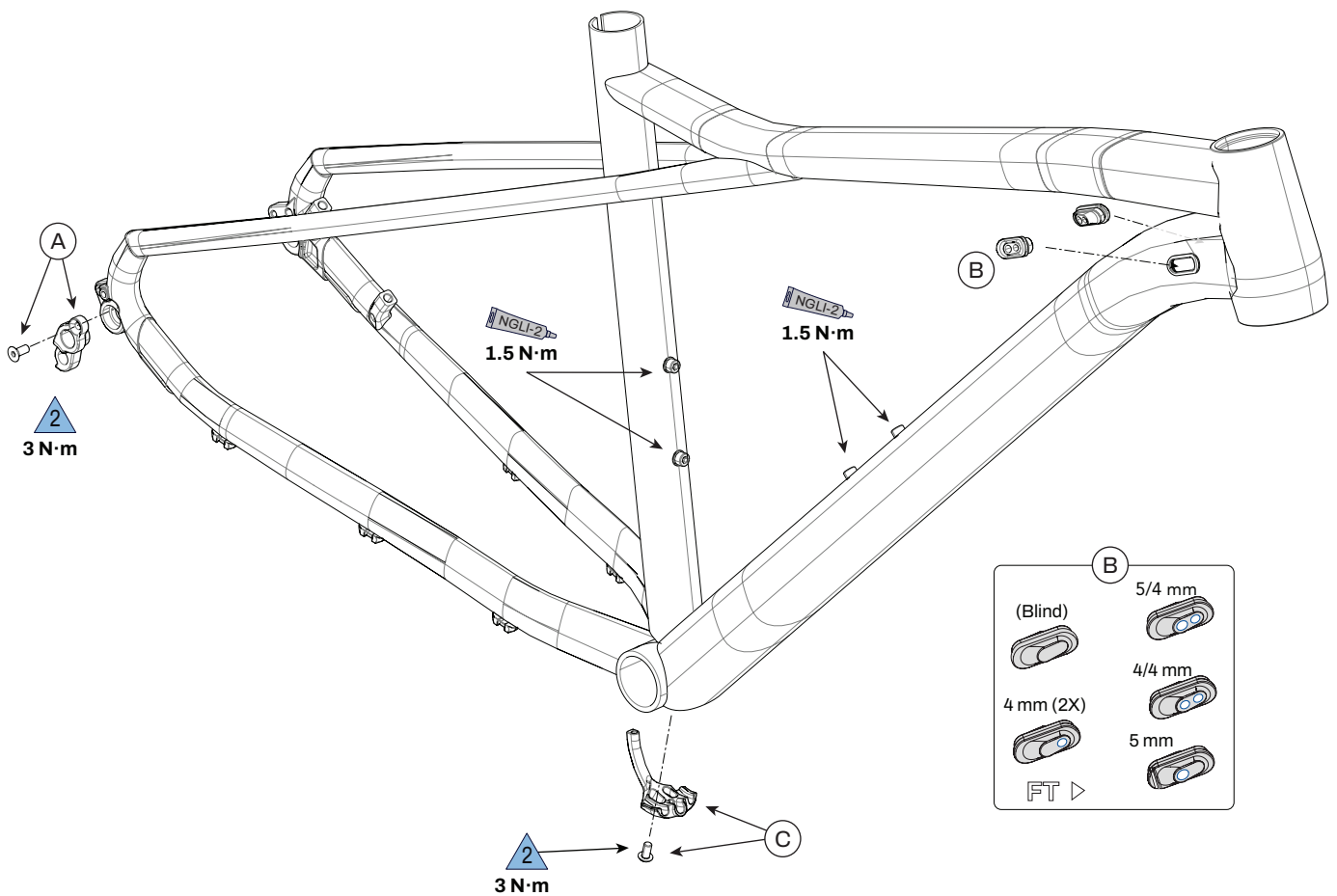
ALLOY / LT

Zaskar

2020 - 2022

Item	Specification	
	Zaskar AI	Zaskar LT
Head Tube	UPR: 1-1/8in. LWR: 1-1/2in.	
Headset	IS42 Top IS52 Bottom	
Bottom Bracket: Type/Width	BSA/73mm	
Front Derailleur	N/A	
Seat Post: Dia./Binder	30.9mm/34.9mm	
▲ Min. Seat Post Insert	100mm	
▲ Tire Size x Max. Tire Width	29in.x2.25in.	29"x2.4in.
▲ Max. Fork Length	525mm	541mm
Chain Guide	N/A	

Item	Specification	
	Zaskar AI	Zaskar LT
Rear Brake: Mount Type / Min./Max. Rotor Dia.	Post mount / 160mm/180mm	
Rear Axle: Type/Length	Maxle TA/148x12mm, 180mm Overall Length	
▲ Intended Use	ASTM CONDITION 3, Cross Country, Marathon	
▲ Max. Weight Limit: Total (Rider+All Equipment)	305lbs/138kg	



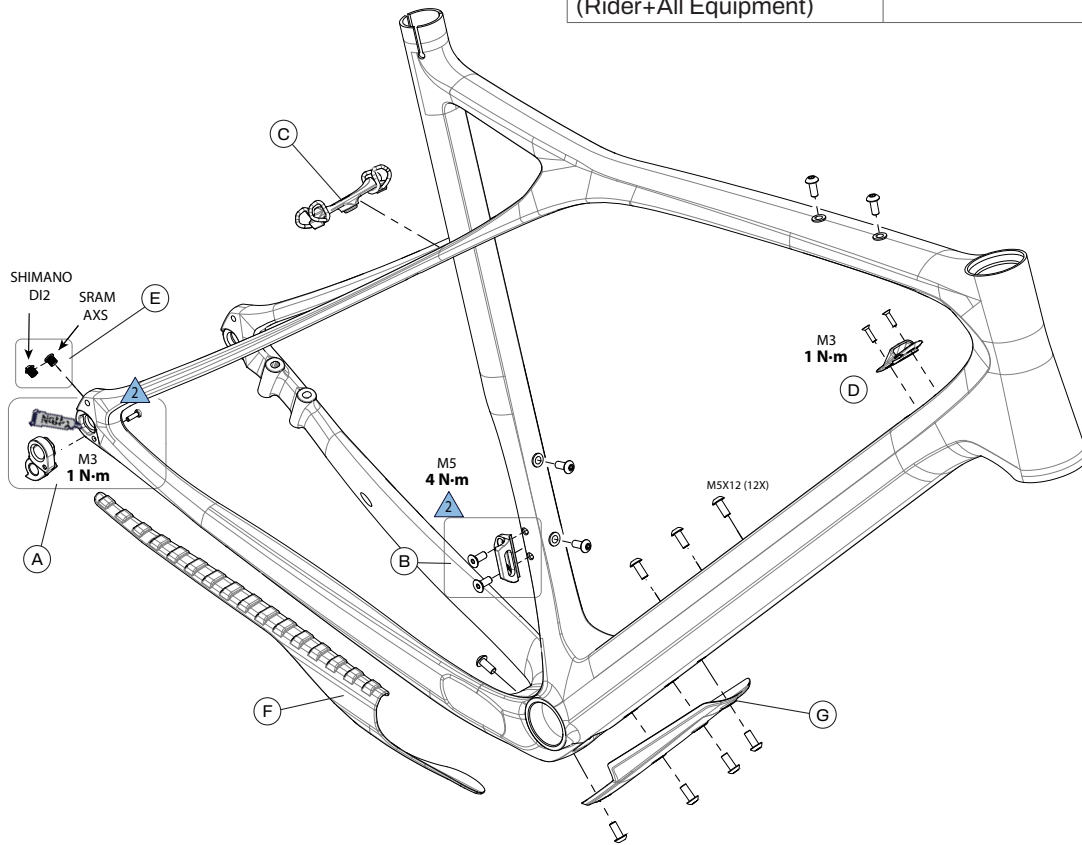
ID	Part Number	Description
A	K33059	Derailleurs Hanger TA ST SS 074
B	K32210	GT Shift/Brake Keyhole Grommets
C	K32220	GT BB Cable Guide E206909

Grade Carbon

2023

Item	Specification
Head Tube	UPR: 1-1/8", LWR: 1-1/2"
Headset	FSA No.42 Integrated 1-1/8"-1/1/2" IS42 top IS52 Bottom 45/36 ACB
Bottom Bracket: Type/Width	BSA Threaded/68mm
Chainline	Wide chainline only, Minimum chainline 47mm
Maximum Chaining Size	1X drive trains - 42T 2X drivetrain 48/32T
Front Derailleur	Braze-On
Seat Post: Dia./Binder	27.2mm/31.8mm
▲ Min. Seat Post Insert	65mm

Item	Specification
Tire Size x Max. Tire Width	700c x 45mm (measured) Fenders: 700c x 40mm (measured)
Brakes: Mount Type / Min./ Max. Rotor Dia.	RR: Flat Mount/160mm /160mm FT: Flat Mount/160mm/180mm"
Axles: Type/Length	RR: Syntace TA/142x12x1.0P/ 160mm Overall Length FT: Maxle TA/100x12x1.5P/ 125mm Overall Length (Rigid Fork)
Fork Offset	55mm
▲ Max. Fork Length	456.7mm
▲ Intended Use	ASTM CONDITION 2: General Purpose Riding
▲ Max. Weight Limit: Total (Rider+All Equipment)	305lbs/138kg



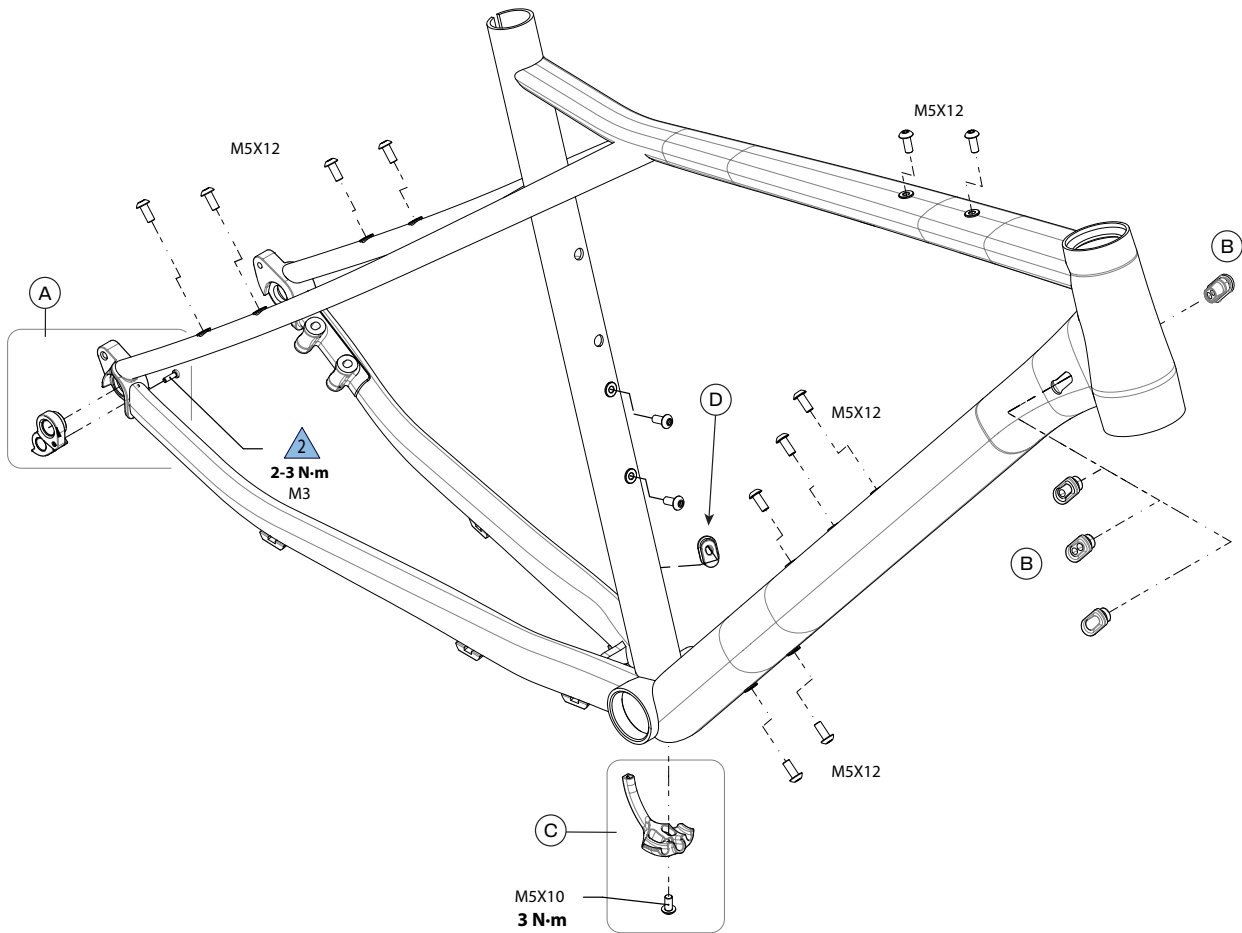
ID	Part Number	Description
A	K33040	Derailleur Hanger TA ST SS 076
B	K33020	Grade Crb Front Derailleur Hanger
C	K11010	Grade Crb Fender Bridge
D	K32171	DT Cable Switch Plate
E	K32048	Shift And Brake Grommets
F	K34682	Grade Crb CS Protector
G	K34692	Grade Crb DT Protector
	K83048	Adjustable Lever Maxle 100x12 125mm
	K83051	Adjustable Lever Syntace 142x12 160mm

Grade Alloy

2023

Item	Specification
Head Tube	UPR: 1-1/8", LWR: 1-1/2"
Headset	FSA No.42 Integrated 1-1/8"-1-1/2" IS42 top IS52 Bottom 45/36 ACB"
Bottom Bracket: Type/Width	BSA Threaded/68mm
Front Derailleur	31.8mm Clamp
Seat Post: Dia./Binder	27.2mm/31.8mm
▲ Min. Seat Post Insert	65mm
Tire Size x Max. Tire Width	700c x 45mm (measured)

Item	Specification
Brakes: Mount Type / Min./ Max. Rotor Dia.	RR: Flat Mount/160mm/160mm FT: Flat Mount/160mm/180mm
Axes: Type/Length	RR: Syntace TA/142x12x1.0P /160mm Overall Length FT: Maxle TA/100x12x1.5P/ 125mm Overall Length
Fork Offset	55mm
▲ Intended Use	ASTM CONDITION 2: General Purpose Riding
▲ Max. Weight Limit: Total (Rider+All Equipment)	305lbs/138kg



ID	Part Number	Description
A	K33049	Derailleur Hanger TA ST SS 073
B	K32000	Shift/Brake Keyhole Grommets
C	K32220	GT BB Cable Guide E206909
D	KP312/	Open Oval Grommet x10
	K83048	Adjustable Lever Maxle 100x12 125mm
	K83051	Adjustable Lever Syntace 142x12 160mm

Grade

2020-2023

Item	Specification
Head Tube	UPR: 1-1/8 in, LWR: 1-1/4 in
Headset	FSA No.44E, UPR: 1-1/8 in, LWR: 1-1/4 in
Bottom Bracket: Type / Width	PF30 (sleeved) / 68 mm
Front Derailleur	Brazed-on
Seat Post: Dia./Binder	27.2 mm / 31.8 mm
▲ Min. Seat Post Insert	65 mm
▲ Max. Seat Post Insert	See Table A. below
▲ Tire Size x Max. Width	700c x 40 mm (measured)

Item	Specification
Brakes: Mount Type / Min/ Max Rotor Dia.	RR: Flat Mount / 160 mm / 180 mm Only, FR: Flat Mount / 160 mm / 180 mm Only
Axles: Type/Length	FR: Maxle TA / 100 x 12 mm RR: Syntace TA / 142 x 12 mm, M12x1, Single Lead
▲ Intended Use:	ASTM Condition 2, General Purpose Riding
▲ Max. Weight Limit: Total	285 lbs / 129 kg (rider + all equipment)

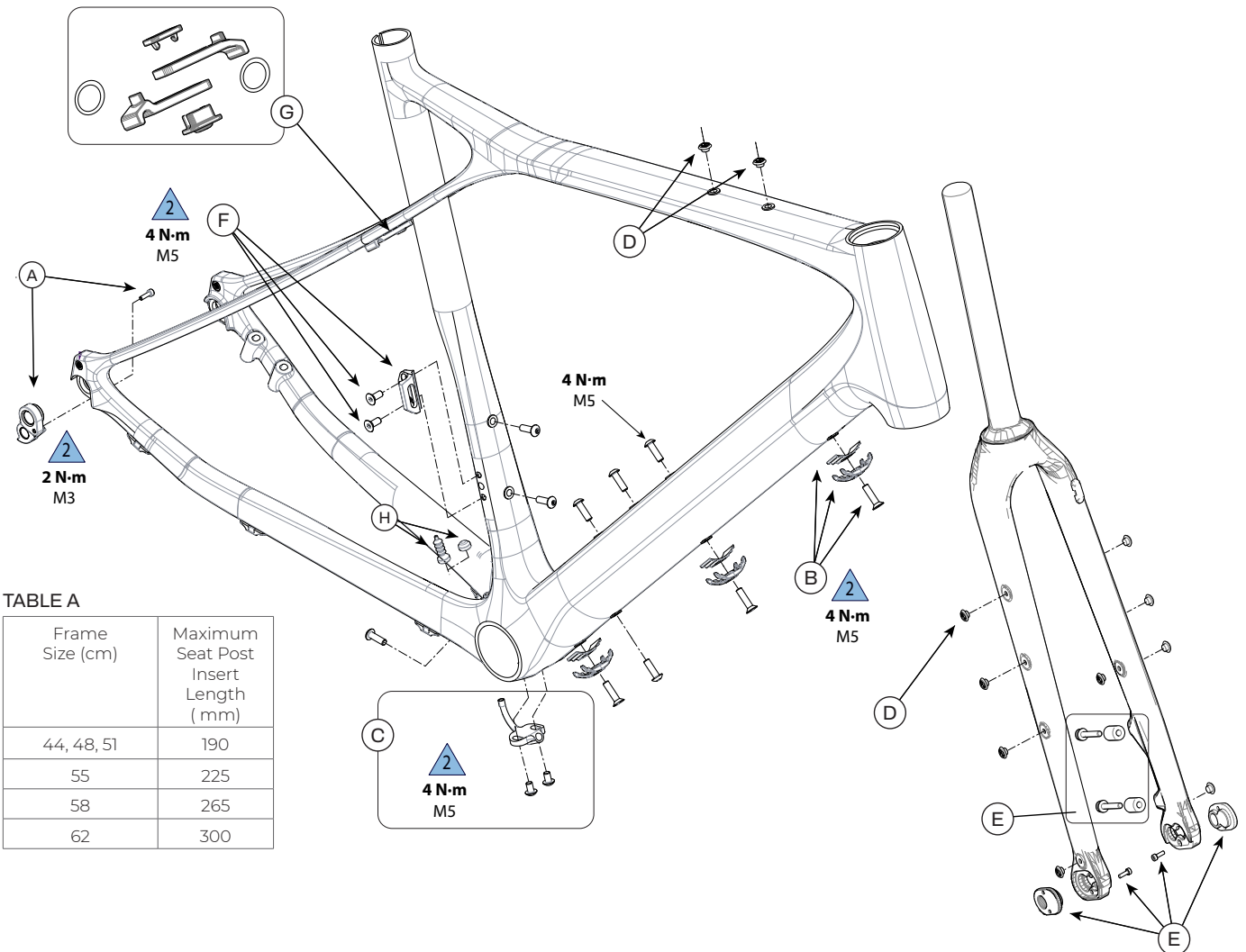


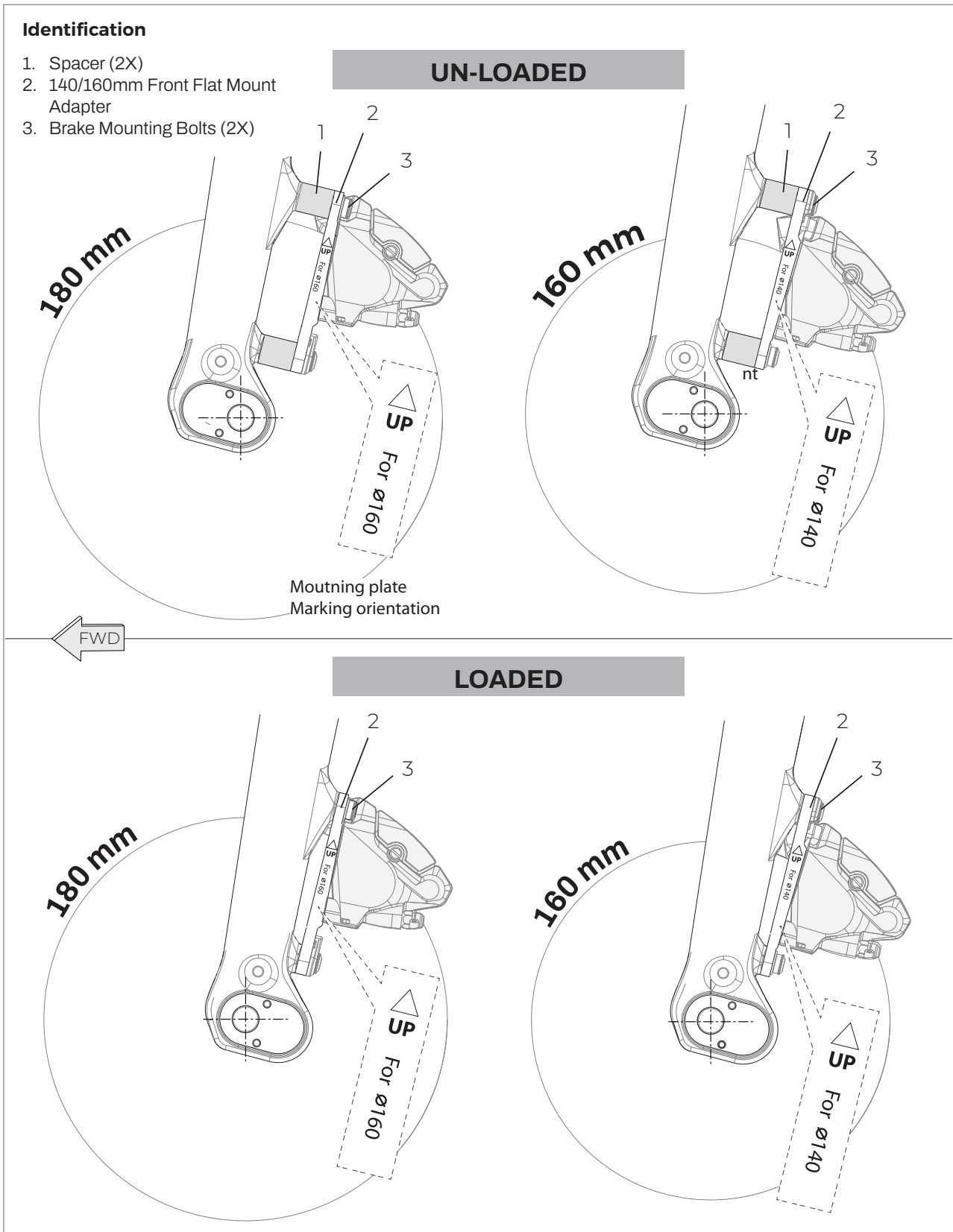
TABLE A

Frame Size (cm)	Maximum Seat Post Insert Length (mm)
44, 48, 51	190
55	225
58	265
62	300

ID	Part Number	Description
A	K33030	Derailleur Hanger TA ST SS 075
B	K32007	Downtube X Cable Guides QTY 3
C	K32200	BB Cable Guide E249071
D	K34010	Grade Frame Grommets QTY 5

ID	Part Number	Description
E	K25009	Thru Axle Flip Chips
F	K33020	Grade Crb Front Derailleur Hanger
G	K11010	Grade Crb Fender Bridge
H	K32290	Grade FD Plugs

GRADE Flip Chip - Brake System Set-Up

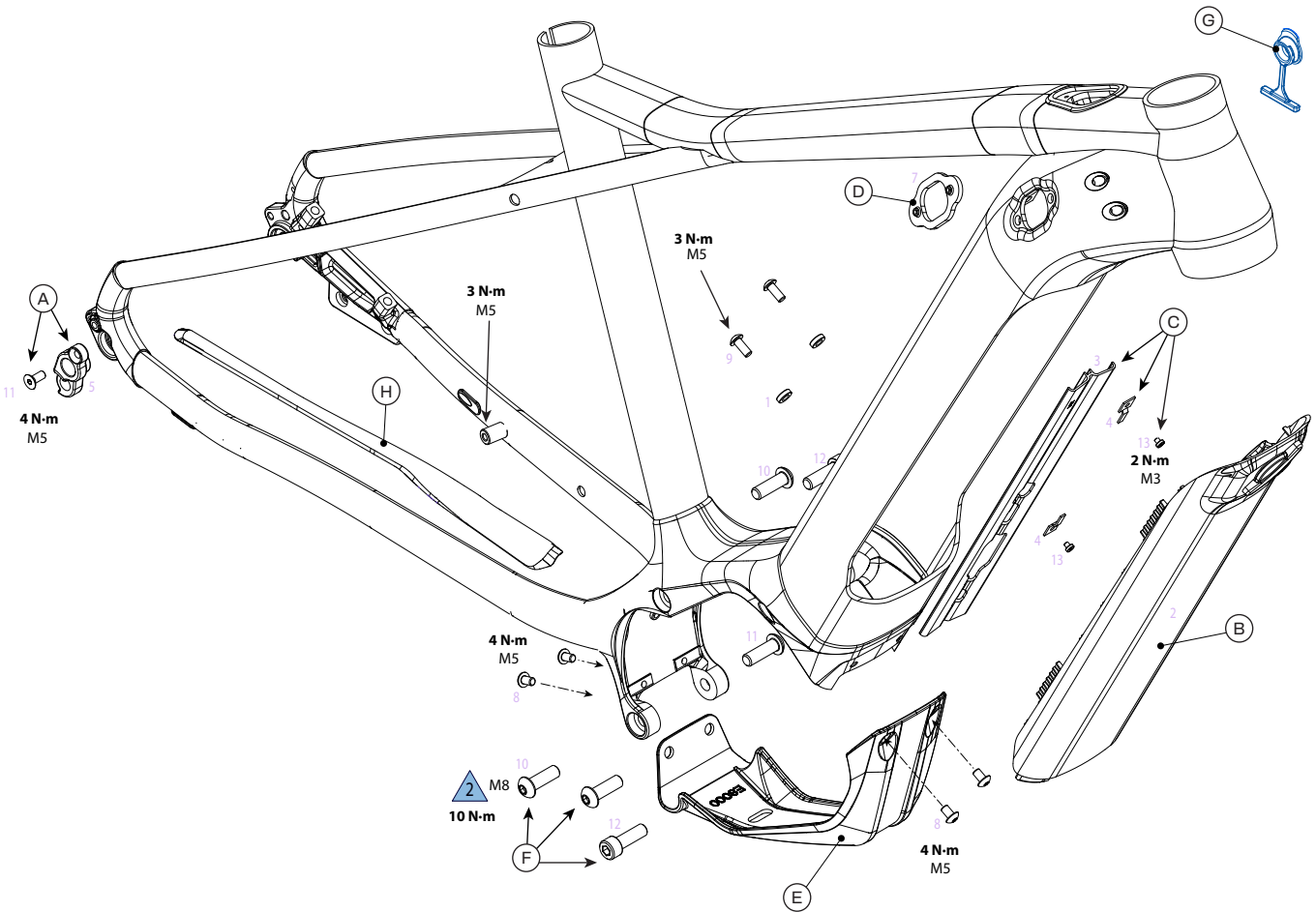


ePantera

2020 - 2023

Item	ePantera Specification		
Model	Bolt	Current	Dash
Drive System - Shimano	DU-EP800	DU-EP600	DU-E5000
Battery - Shimano	BT-E8035		
Drive-Assist Owner's Manual	https://si.shimano.com/		
Head Tube	UPR: 1-1/8" LWR: 1-1/2"		
Headset	ZS44 Top ZS56 Bottom		
Bottom Bracket: Type/Width	Shimano Drive Unit		
Front Derailleur	N/A		
Seat Post: Dia./Binder	31.6 mm/34.9 mm		

Item	ePantera Specification		
Model	Bolt	Current	Dash
▲ Min. Seat Post Insert	100 mm		
▲ Tire Size x Max. Tire Width	29 x 2.35 in (measured)		
▲ Max. Fork Length	530 mm		
Rear Brake: Mount Type / Min./Max. Rotor Dia.	Post Mount / 180 mm/203 mm		
Rear Axle: Type/Length	148 x 12mm**		
▲ Intended Use	ASTM CONDITION 3, Cross Country, Marathon		
▲ Max. Weight Limit: Total (rider+all equipment)	305lbs/138kg		



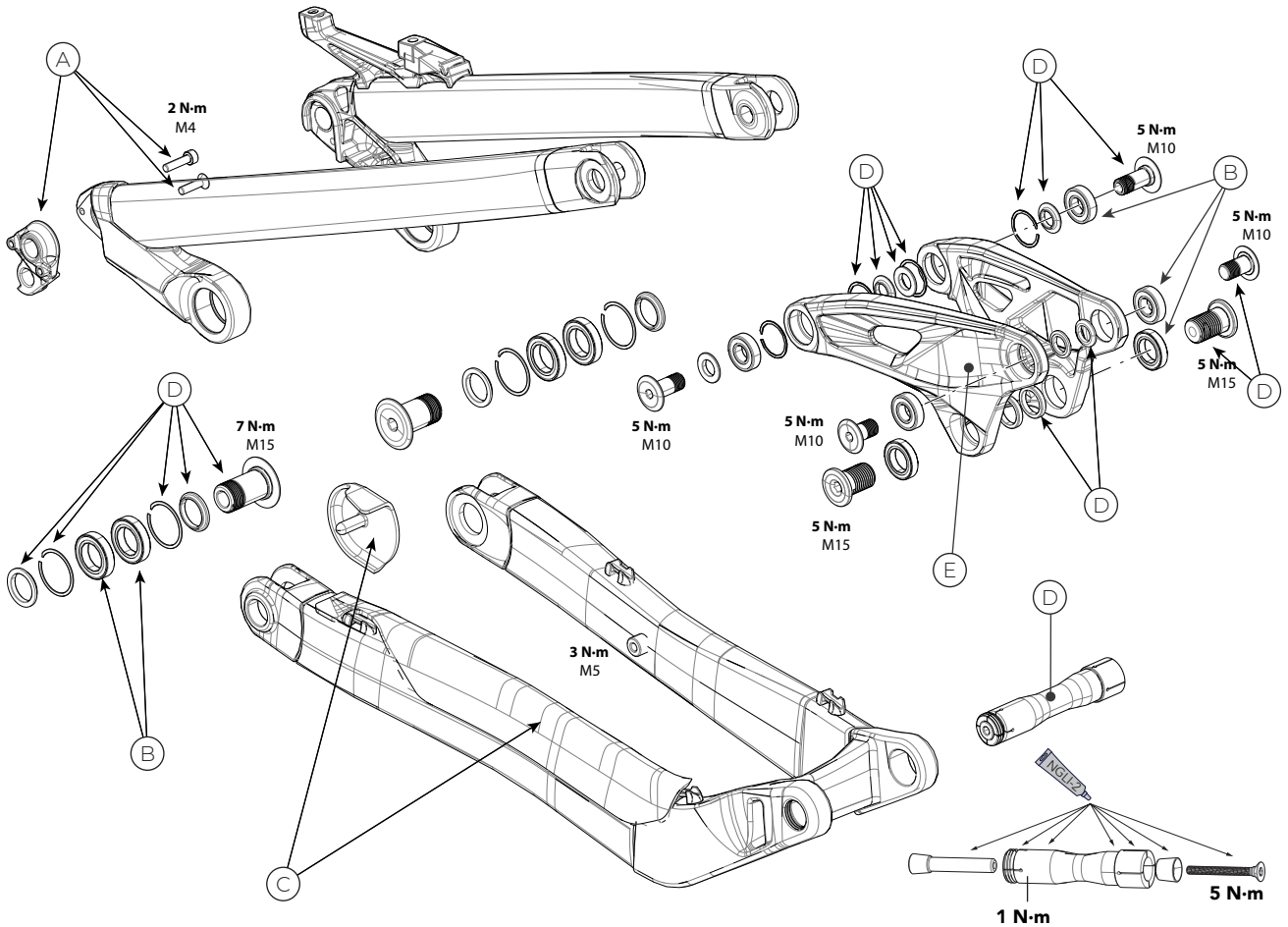
ID	Part Number	Description
A	K33059	Derailleur Hanger TA ST SS 074
B	K3418010	GT Battery Cover DT Bottom Exit BLK
C	K32310	DT Cable Channel
D	K76090	Remote Charging Port Threaded Plate
E	K34190	E8000 Skid Plate
	K34200	E7000 Skid Plate
	K34310	E5000 GT Skid Plate
F	K76100	Motor Mounting Bolts Qty 6
G	K34211	Neo Key Cover
H	K34340	E Hardtail CS SS Protectors

eForce

2020 - 2023

Item	Specification	
Model	Amp/Amp +	Current
Drive System	Shimano DU-EP801	Shimano DU-E6000
Battery	Amp+: Shimano BT-8036 Amp, Current: Shimano BT-8035	
Drive-Assist Owner's Manual	https://si.shimano.com/	
Rear Travel	150 mm	
Head Tube	UPR: 1-1/8" LWR: 1-1/2"	
Headset	IS42 Top/IS52 Bottom	
Bottom Bracket: Type / Width	Shimano Drive Unit	
Front Derailleur	N/A	
Seat Post: Dia. / Binder	31.6mm/34.9mm	
▲ Min. Seat Post Insert	100 mm	

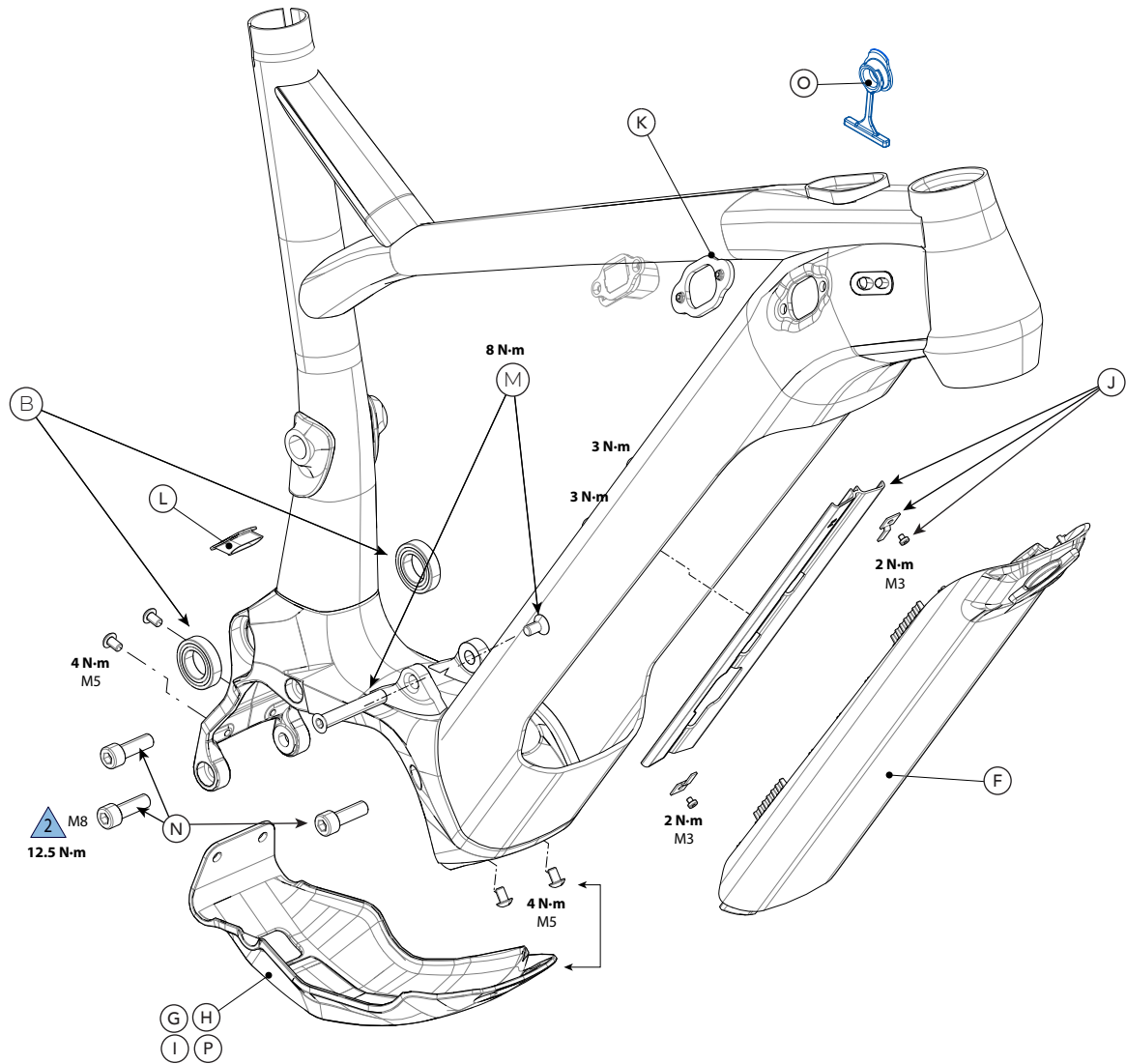
Item	Specification	
Model	Amp/Amp +	Current
▲ Tire Size x Max. Width (measured)	29 x 2.6 in (measured)	
▲ Max. Fork Length	557 mm	
Rear Shock: Eye-To-Eye / Stroke / Bushing Width	185mm x 55mm Metric Trunnion/37.6 x M8	
Sag (measured at the shock)	13mm-15mm, 25%	
Rear Brake: Mount Type / Min / Max Rotor Dia.	Post Mount / 180mm/203mm	
Rear Axle: Type / Length	Maxle TA/148x12mm 180mm Overall Length	
▲ Intended Use	ASTM CONDITION 4, All-Mountain	
▲ Max. Weight Limit Total (rider+all equipment):	305 lbs / 138 kg	



ID	Part Number	Description
A	KG0006N02	Derailleur Hanger TA ST SS 056
B	K36280	eForce Link CS MP Bearings
C	K34300	eForce CS Horst Link Guards
D	K36260	eForce Link CS MP Hardware
E	K91070	eForce Suspension Link 29

eForce

2020 - 2023



ID	Part Number	Description
F	K3418010	GT Battery Cover DT Bottom Exit BLK
	K34581	AMP+: e8036 Battery Cover DT Bottom Exit
G	K34190	E8000 GT Skid Plate
H	K34200	E7000 GT Skid Plate
I	K34310	E5000 GT Skid Plate
P	K34331	EP800 Skid Plate
J	K32310	DT Cable Channel
K	K76090	Remote Charging Port Threaded Plate
L	K32029	Neo Cable Exit Port
M	K36270	eForce Shock Mount Hardware
N	K76100	Motor Mounting Bolts Qty 6
O	E366994	Neo Key Cover
	K32201	DT Adhesive Cable Clips Qty 3

Power Performer

2020 - 2023

Item	Specification
Drive System	250W Bafang Hub Drive Motor. 45 Nm of (drive) torque
Battery	418Wh Removable Rechargeable Li Ion Battery. Samsung 29E cells
Drive-Assist Owner's Manual	https://www.bafang-e.com/
Head Tube	UPR: 1-1/8" LWR: 1-1/8"
Headset	Semi Integrated, 1-1/8"
Bottom Bracket: Type/Width	K7700145 Cadence Sensor Bottom Bracket
Front Derailleur	N/A
Seat Post: Dia./Binder	27.2 mm/ 31.8 mm
▲ Min. Seat Post Insert	100 mm

Item	Specification
▲ Tire Size x Max. Tire Width	29" x 2.5" (measured)
Brakes: Mount Type / Min./ Max. Rotor Dia.	FR: Post Mount/160 mm/ 160 mm
	RR: Post Mount/160 mm/ 160 mm
Axles: Type/Length	FR: QR 100x9, 115 mm Overall Length
	RR: Bafang Hub Drive Motor 8mm Nuted, 138x12/ 10mm Slotted, 205 mm Overall Length
▲ Intended Use	ASTM CONDITION 2: General Purpose Riding
Max. Weight Limit: Total (Rider+All Equipment)	330lbs/150kg

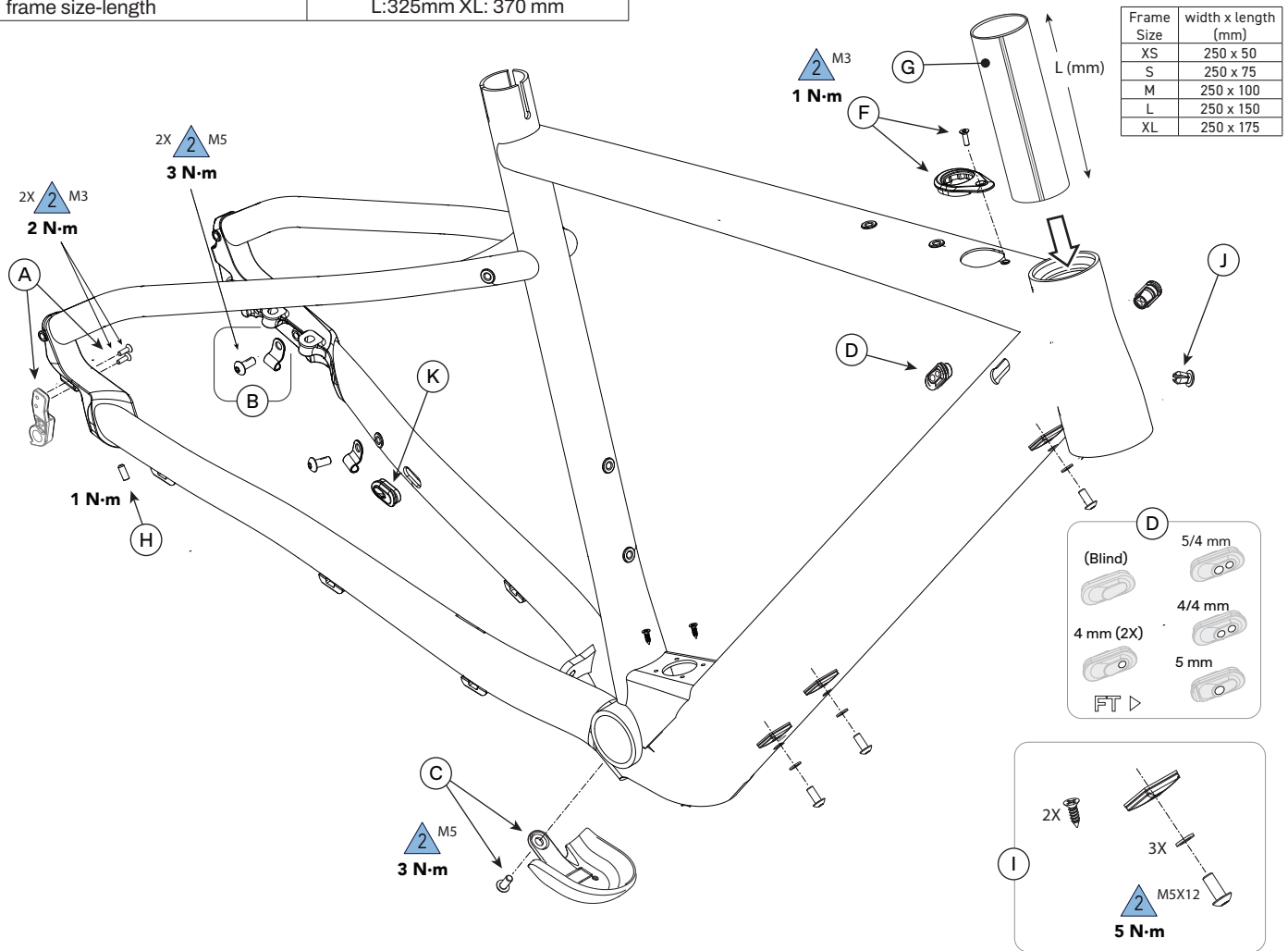
Part Number	Description
K8736129	BMX Power Disc RR Wh Hub Motor 6B 29
K8734129	BMX Street Disc FR Wh 100x3/8 6B 29
K2206170	Performer Crank 38t 4 Bolt BCD 104 170mm
K2100110	Performer Handlebar 4pc 740 x 22.2mm CMO
K2100120	Performer Handlebar 4pc 740 x 22.2mm GRY
K32000	Shift/Brake Keyhole Grommets
K34311	E-Road Chainstay Protectors
K34000	Top Tube Scuff Guard
K83031	FR Bolt-On Skewer 115mm Length
KP284/	Derailleur Hanger QR ST SS 028
K7500165	Bafang e-Wire Kit 650mm
K7201130	Bafang e-Motor Controller w/ Cable 300mm
K7300140	Bafang e-Display 22.2 w/ Cable 400mm
K71021	Power USB DT Battery 36V 418Wh
K74011	36V V2 11mm e- Charger 2A DC
K7700145	Cadence Sensor BB Threaded w/Cable 450mm
K11261	Power Performer Fender Set

eGrade

2020 - 2023

Item	Specification
Drive System	E-Bike Motion X35 M1-C
Battery	E-Bike Motion X35 B1-C
Drive-Assist Owner's Manual	https://www.ebikemotion.com/web/
Head Tube	UPR: 1-1/8in LWR: 1.5 in
Headset	Integrated, 1 1/8 in -1.5 in
Bottom Bracket: Type/Width	BSA/68mm
Front Derailleur	Braze On
Seat Post: Dia./Binder	27.2mm / 31.8mm
▲ Min. Seat Post Insert	65 mm
▲ Max. Seat Post Insert (mm) frame size-length	XS: 290mm S: 230mm M: 275mm L:325mm XL: 370 mm

Item	Specification
▲ Tire Size x Max. Tire Width	700c x 47mm (measured)
Brakes: Mount Type / Min./Max. Rotor Dia.	RR: Flat Mount/160mm FT: Flat Mount +20mm / 160mm/180mm
Axles: Type/Length	RR: EBM X35 Axle FR: Speed Release, Double Lead/100 x 12 mm, 119 mm Length
▲ Intended Use	ASTM CONDITION 2: General Purpose Riding
▲ Max. Weight Limit: Total (Rider+All Equipment)	305lbs/138kg

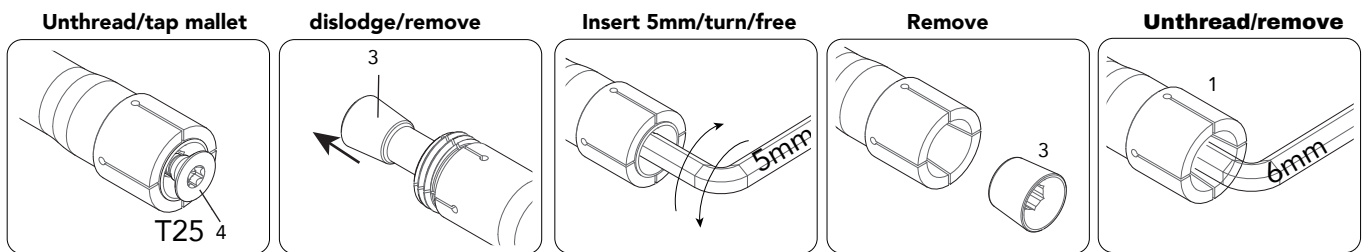
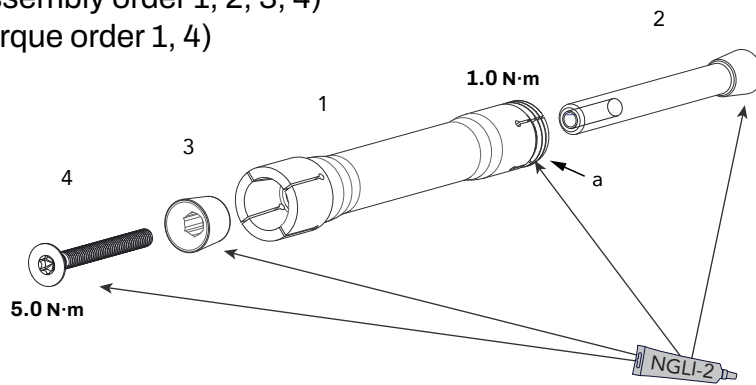


ID	Part Number	Description
A	K33050	Derailleur Hanger BT ST SS 077
B	K32240	NDS EBM Cable Clips (QTY 2)
C	K34030	Alloy Frame Battery Door
D	K32000	Shift/Brake Keyhole Grommets
G	K34020	HT Plastic Cable Sheet
H	K33080	Dropout Bolts M4x10mm (QTY 2)
I	K76040	X35 Battery/Charge Mounting Hardware

ID	Part Number	Description
J	K34090	DT Light Cable Grommet
--	K34311	Neo SL Road Chainstay Protectors
K	KP312/	Open Oval Grommet x10 (QTY 10)
--	K26121	Neo Crb Seatpost 27.2 x 350 mm
--	K26111	Neo Rigid Seatpost 27.2x350mm
--	K83019	Speed Release TA 100x12 2Lead P1.0 119L

LockR Pivot

(Assembly order 1, 2, 3, 4)
(Torque order 1, 4)



(removal technique) →

Installation

- Disassemble and clean all parts of the LockR axle. Do not install it assembled.

Inspect the parts for damage (burrs, scratches, deformity, wear). Replace the entire LockR assembly if any damage is found.
- Apply a light coating of a high-quality bicycle bearing grease to all parts.
- Align the linkage and bearing and insert the threaded end of the pivot axle (1) into the non-drive side.
- Tighten the inserted pivot axle to 1 N·m using a 6 mm hex key fitted torque wrench from the non-drive side.

NOTICE

Use a calibrated torque wrench. Exceeding 1 N·m will result in permanent damage to the LockR pivot system.

- Insert the wedge bolt (2) into the drive side of the axle and insert the small end of the wedge (3) into the non-drive side axle head.
- Thread the screw (4) into wedge bolt with a wrench and tighten to 5.0 N·m.

Removal

IMPORTANT: Be sure to support the bike or swingarm to prevent personal injury or bike damage when removing/disconnecting linkages of an axle.

- Loosen the screw (4) 4-6 turns using a T25 Torx key.
- Tap head of screw (4) with a rubber mallet to un-seat the wedge bolt (2).
- Remove the screw (4) and wedge bolt (2) from the axle (1).
- Insert a 5 mm hex key to twist the wedge (3) free and remove it (shown). If wedge sticks insert a wooden or plastic dowel into the drive side and use it to tap out the wedge (3).
- Insert a 6 mm hex key into the axle (1) on the non-drive side and turn counter-clockwise until it can be removed.

Core

Aggressor 27.5 & 29

Item	Specification
Head Tube	Semi Integrated 1 1/8in Straight ZS44 Top ZS44 Bottom
Bottom Bracket Type/Width	BSA/73 mm
Front Derailleur	31.8 mm Clamp
Seat Post Dia./Binder	27.2 mm / 31.8 mm
Max Tire Size	27.5 in: 27.5 in x 57 mm (measured)
	29 in: 29 in x 57 mm (measured)
Max. Fork Travel	467 mm
Rear Brake: Mount type/Dia	Post Mount / 160 mm
Rear Axle: Type/Length	QR / 135 mm
Max. Weight Limit	300 lbs.

Part Number	Description	Notes
ATIDH0246	Derailleur Hanger QR ST SS 054	
KG0102N01	GT Hardtail Bottom Bracket Cable Guide	
K32007	Downtube X Cable Guides x3	
K32130	Brake Hose Guide NDS CS	

Core

Avalanche 27.5 & 29

Item	Specification
Head Tube	Semi-Integrated 1 1/8in - 1 1/2 in ZS44 Top ZS56 Bottom
Bottom Bracket Type/Width	BSA/73 mm
Front Derailleur	Direct Mount
Seat Post Dia./Binder	30.9 mm/34.9mm
Max, Tire Size	27.5 in: "27.5" x 58mm (measured)
	29 in: 29" x 58mm (measured)
Max. Fork Length	500 mm
Rear Brake: Mount type/Dia	Post Mount/160 mm
Rear Axle: Type/Length	QR/141mm
Max. Weight Limit	300 lbs.

Part Number	Description	Notes
K35000	1-1/8-1.5 Semi Int Hdset 28.6/44-56/39.8	
ATIDH0233	Derailleur Hanger QR ST SS 048	
K32210	GT Shift/Brake Keyhole Grommets	
K32220	GT BB Cable Guide E206909	
K83039	QR Skewer 141x9 158mm	
K82000	All Terra 141x9mm Hub 32h 6 bolt S11	

Transeo

Item	Specification
Head Tube	Semi-Integrated 1 1/8in Straight ZS44 Top ZS44 Bottom
Bottom Bracket Type/Width	BSA/73mm
Front Derailleur	31.8mm
Seat Post Dia./Binder	27.2mm/31.8mm
Tire Size	700c x 50mm (measured)
Max. Fork Length	493mm
Rear Brake: Mount type/Min./Max. RotorDia	Post Mount / 160mm180mm
Rear Axle: Type/Length	QR/135mm
Max. Weight Limit	300 lbs.

Part Number	Description	Notes
K33177	Derailleur Hanger QR ST SS 007	
KG0102N01	GT Hardtail Bottom Bracket Cable Guide	
K32210	GT Shift/Brake Keyhole Grommets	

BMX

Hertiage Dyno Pro Compe 29 (2020)

Item	Specification
Head Tube	1 1/8"
Bottom Bracket Type	MID
Seat Post Dia./Binder	25.4 mm/28.6 mm
Tire Size/Max. Tire Width	29" x 2.5"/63.5 mm (measured)
Rear Brake: Mount type/Dia	V-Brake
Front Axle: Type/Length	3/8"/100 mm
Rear Axle: Type/Length	3/8"/110 mm

La Bomba

Item	Specification
Head Tube	Integrated 1 1/8in - 1 1/2in, FSA NO.42/ACB-A
Rear Brake: Mount type/Dia	IS/160 mm
Bottom Bracket Type/Width	Euro
Rear Axle: Type/Length	3/8"/135 mm
Seat Post Dia./Binder	27.2 mm/31.8 mm
Tire Size/Max. Tire Width	26" x 2.2"/26" x 61 mm (measured)
Max. Fork Length	478 mm

Part Number	Description	Notes
K86019	LaBomba Axle Adapters and Hardware	

Mach One Pro

Item	Specification
Head Tube	1 1/8"
Bottom Bracket Type	Euro
Seat Post Dia./Binder	27.2 mm/31.8 mm
Tire Size/Max. Tire Width	20" X 1.75"/50 mm (measured)
Rear Brake: Mount type	Linear Pull
Front Axle: Type/Length	3/8"/100 mm
Rear Axle: Type/Length	3/8"/110 mm

BMX

Mach One Expert

Item	Specification
Head Tube	1 1/8"
Bottom Bracket Type	Euro
Seat Post Dia./Binder	25.4/28.6
Tire Size/Max. Tire Width	20" X 1 3/8"/35 mm (measured)
Rear Brake: Mount type	Linear Pull
Front Axle: Type/Length	3/8"/100 mm
Rear Axle: Type/Length	3/8"/110 mm

Mach One Mini

Item	Specification
Head Tube	1"
Bottom Bracket Type	Euro
Seat Post Dia./Binder	25.4/28.6
Tire Size/Max. Tire Width	20" X 1 1/8"/35 mm (measured)
Rear Brake: Mount type	Linear Pull
Front Axle: Type/Length	3/8"/100 mm
Rear Axle: Type/Length	3/8"/110 mm

Mach One Junior

Item	Specification
Head Tube	1"
Bottom Bracket Type	Euro
Seat Post Dia./Binder	25.4/28.6
Tire Size/Max. Tire Width	FR: 20" x 1 3/8" /35 mm (measured) RR: 20" X 1 1/8"/35 mm (measured)
Rear Brake: Mount type	Linear Pull
Front Axle: Type/Length	3/8"/100 mm
Rear Axle: Type/Length	3/8"/110 mm

BMX

Mach One 16

Item	Specification
Head Tube	1 1/8"
Bottom Bracket Type	American
Seat Post Dia./Binder	22.2 mm/26.8 mm
Tire Size/Max. Tire Width	16" x 1.75"/45 mm measured
Rear Brake: Mount type	Linear Pull
Front Axle: Type/Length	3/8"/100 mm
Rear Axle: Type/Length	3/8"/110 mm

Mach One 24

Item	Specification
Head Tube	1 1/8"
Bottom Bracket Type	Euro
Seat Post Dia./Binder	27.2 mm/31.8 mm
Tire Size/Max. Tire Width	FR: 24" x 2.125"/54 mm (measured) RR: 24" x 1.75"/54 mm (measured)
Rear Brake: Mount type	Linear Pull
Front Axle: Type/Length	3/8"/100 mm
Rear Axle: Type/Length	3/8"/110 mm

Performer

Item	Specification
Head Tube	1 1/8" Integrated
Bottom Bracket Type	MID
Seat Post Dia./Binder	25.4 mm/Integrated
Tire Size/Max. Tire Width	FT/RR: 20" x 2.4"/61 mm (measured)
Rear Brake: Mount type/Dia	U-Brake
Front Axle: Type/Length	3/8"/100 mm
Rear Axle: Type/Length	14 mm/110 mm

BMX

Pro Performer Heritage 26

Item	Specification
Head Tube	1 1/8"
Bottom Bracket Type	MID
Seat Post Dia./Binder	25.4 mm/28.6 mm
Tire Size/Max. Tire Width	26" x 2.2"/61 mm (measured)
Rear Brake: Mount type	U-Brake
Front Axle: Type/Length	3/8"/100 mm
Rear Axle: Type/Length	3/8"/110 mm

Part Number	Description	Notes
K22018	Mid Bottom Bracket With Spindle	
K22028	Mid Bottom Bracket Bearings And Hardware	
K2205870	3 Piece BMX Crankarm Left 170mm	
K2206870	3 Piece BMX Crankarm Right 170mm	

Pro Series Heritage 24

Item	Specification
Head Tube	1 1/8"
Bottom Bracket Type	MID
Seat Post Dia./Binder	27.2mm/31.6mm
Tire Size/Max. Tire Width	24" x 2.5"/63.5 mm (measured)
Rear Brake: Mount type/Dia	V-Brake
Front Axle: Type/Length	3/8"/100mm
Rear Axle: Type/Length	3/8"/110mm

Pro Series Heritage 26

Item	Specification
Head Tube	1 1/8"
Bottom Bracket Type	MID
Seat Post Dia./Binder	27.2mm/31.6mm
Tire Size/Max. Tire Width	26" x 2.5"/63.5 mm (measured)
Rear Brake: Mount type	V-Brake
Front Axle: Type/Length	3/8"/100mm
Rear Axle: Type/Length	3/8"/110mm

BMX

Pro Series Heritage 29

Item	Specification
Head Tube	1 1/8"
Bottom Bracket Type/Width	MID
Seat Post Dia./Binder	27.2mm/31.6mm
Tire Size/Max. Tire Width	29" x 2.5"/63.5 mm (measured)
Rear Brake: Mount type	V-Brake
Front Axle: Type/Length	3/8"/100mm
Rear Axle: Type/Length	3/8"/110mm

Slammer

Item	Specification
Head Tube	1 1/8"
Bottom Bracket Type/Width	American
Seat Post Dia./Binder	25.4 mm/Integrated
Tire Size/Max. Tire Width	FT/RR: 20" x 2.4"/61mm (measured)
Rear Brake: Mount type	U-Brake
Front Axle: Type/Length	3/8"/100 mm
Rear Axle: Type/Length	14 mm/110 mm

Part Number	Description	Notes
K22038	American 68mm Loose Ball Bottom Bracket	
K2204870	2 Piece BMX Crank 170mm	
K81008	One Piece Driver RH 9T	

BMX

Speed Series Expert

Item	Specification
Head Tube	1 1/8"
Bottom Bracket Type/Width	Euro
Seat Post Dia./Binder	22.2 mm/25.4 mm
Tire Size/Max. Tire Width	20" x 1 3/8"/35 mm (measured)
Rear Brake: Mount type/Dia	Linear Pull
Front Axle: Type/Length	20 mm/100 mm
Rear Axle: Type/Length	3/8"/110 mm

Speed Series Expert XL

Item	Specification
Head Tube	1 1/8"
Bottom Bracket Type/Width	Euro
Seat Post Dia./Binder	27.2 mm/31.8 mm
Tire Size/Max. Tire Width	20" x 1.5"/45 mm (measured)
Rear Brake: Mount type/Dia	Linear Pull
Front Axle: Type/Length	20 mm/100 mm
Rear Axle: Type/Length	3/8"/110 mm

Speed Series Junior

Item	Specification
Head Tube	1"
Bottom Bracket Type/Width	Euro
Seat Post Dia./Binder	22.2 mm/25.4
Tire Size/Max. Tire Width	20" x 1 1/8"/35 mm (measured)
Rear Brake: Mount type/Dia	Linear Pull
Front Axle: Type/Length	3/8"/100 mm
Rear Axle: Type/Length	3/8"/110 mm

BMX

Speed Series Micro, Mini

Item	Specification
Head Tube	1"
Bottom Bracket Type/Width	Euro
Seat Post Dia./Binder	22.2 mm/25.4
Tire Size/Max. Tire Width	20" x 1 1/8"/35 mm (measured)
Rear Brake: Mount type/Dia	Linear Pull
Front Axle: Type/Length	3/8"/100 mm
Rear Axle: Type/Length	3/8"/110 mm

Speed Series Pro,Pro XL XXL XXXL

Item	Specification
Head Tube	1 1/8" - 1 1/2"
Bottom Bracket Type/Width	BB86
Seat Post Dia./Binder	27.2 mm/31.8 mm
Tire Size/Max. Tire Width	20" x 1.75"/50 mm (measured)
Rear Brake: Mount type/Dia	Post Mount/140 mm
Front Axle: Type/Length	20 mm/100 mm
Rear Axle: Type/Length	3/8"/110 mm

Speed Series Pro,Pro XL24

Item	Specification
Head Tube	1 1/8" - 1 1/2"
Bottom Bracket Type/Width	BB86
Seat Post Dia./Binder	27.2 mm/31.8 mm
Tire Size/Max. Tire Width	24" x 1.75"/50 mm (measured)
Rear Brake: Mount type/Dia	Post Mount/140 mm
Front Axle: Type/Length	20 mm/100 mm
Rear Axle: Type/Length	3/8"/110 mm

Part Number	Description	Notes
K31009	GT BMX Disc Dropout Brake Mount	
K33058	Chain Tensioner Speed/Pro	

BMX

Street Performer 29

Item	Specification
Head Tube	1 1/8"
Bottom Bracket Type	MID
Seat Post Dia./Binder	25.4 mm/28.6 mm
Tire Size/Max. Tire Width	29" x 2.5"/63.5 mm (measured)
Rear Brake: Mount type/Dia	V-Brake
Front Axle: Type/Length	3/8"/100 mm
Rear Axle: Type/Length	3/8"/110 mm

Part Number	Description	Notes
K22018	Mid Bottom Bracket With Spindle	
K22028	Mid Bottom Bracket Bearings And Hardware	
K2205870	3 Piece BMX Crankarm Left 170mm	
K2206870	3 Piece BMX Crankarm Right 170mm	

Team Editions

Item	Specification
Head Tube	Integrated
Bottom Bracket Type	MID
Seat Post Dia./Binder	25.4 mm/Integrated
Tire Size/Max. Tire Width	20" x 2.4"/61mm (measured)
Rear Brake: Mount type/Dia	U-Brake
Front Axle: Type/Length	3/8"/100 mm
Rear Axle: Type/Length	14 mm/110 mm

Part Number	Description	Notes
K22018	Mid Bottom Bracket With Spindle	
K22028	Mid Bottom Bracket Bearings And Hardware	
K2205870	3 Piece BMX Crankarm Left 170mm	
K2206870	3 Piece BMX Crankarm Right 170mm	
K81008	One Piece Driver RH 9T	

Rear Derailleur Hangers

Platform	Model Year	Model	Part Number
Aggressor/Laguna Pro 27.5"	Collection 2022-2013	Aggressor	ATIDH0246
Avalanche	Collection 2023-2012	Avalanche	ATIDH0233
eForce	Collection 2023-2022	eForce	KG0006N02
eGrade	Collection 2023-2021	eGrade	K33050
ePantera	Collection 2023-2021	ePantera	K33059
	2019-2018	ePantera Bolt	K33059
		ePantera Dash	K33027
eTraffic	2019-2018	eTraffic	K33177
eVerb	2019-2018	eVerb	KG0006N02 (Standard)
Force	Collection 2023-2021	Force Crb 29	K33091
	2021-2019	Force Crb 27.5	KG0007N02 (Direct)
		Force Crb 27.5	KG0006N02 (Standard)
		Force Al 27.5	KG0007N02 (Direct)
		Force Al 27.5	KG0006N02 (Standard)
		Force Al 29	KG0007N02 (Direct)
		Force Al 29	KG0006N02 (Standard)
Fury	Collection 2023	Fury	K33013
	Collection 2022-2019		K33029 (Direct)
			K33039 (Standard)
Grade	Collection 2023	Grade Crb	K33040
		Grade Al	K33049
	Collection 2022-2020	Grade Crb	K33030
		Grade Al	
	2019-2015	Grade	ATIDH0183
GTR	2021-2019	GTR	K33030
LaBomba	Collection 2023-2019	LaBomba	K86019
Laguna 26"	2021-2019	Laguna	ATIDH0021
Outpost	2021-2019	Outpost	ATIDH0246
Palomar	Collection 2022-2017	Palomar Alloy	ATIDH0246
	Collection 2022-2014	Palomar Steel	
Pantera	2019-2017	Pantera	K33027 (Direct)
	2019-2017		K33047 (Standard)
Sanction	2019-2016	Sanction	KG0006N02 (Standard)
			KG0007N02 (Direct)

Rear Derailleur Hangers

Platform	Model Year	Model	Part Number
Sensor	Collection 2023	Sensor Crb	SRAM UDH
		Sensor ST Crb	SRAM UDH
		Sensor Al	SRAM UDH
	2021-2019	Sensor Crb	KG0006N02 (Standard)
		Sensor Crb	KG0007N02 (Direct)
		Sensor Al	KG0006N02 (Standard)
		Sensor Al	KG0007N02 (Direct)
Speed Series	Collection 2023-2019	Speed Series	K31079 (Disc Dropout Drive & Non-Drive)
Stomper	Collection 2023	Stomper FS	SRAM UDH
		Stomper HT 26	ATIDH0246
		Stomper HT 24	
		Stomper HT 20	
Traffic	2021-2016	Traffic	K33177
Transeo	Collection 2022-2016	Transeo	K33177
Verb	2019-2016	Verb	ATIDH0246
Zaskar	Collection 2023	Zaskar FS	SRAM UDH
		Zaskar LT	
	Collection 2022-2016	Zaskar Carbon	KG0006N02 (Standard)
			KG0007N02 (Direct)
	2021-2020	Zaskar Alloy	K33059
	Collection 2023-2021	Zaskar Alloy LT	
	2019-2017	Zaskar Alloy	K33027 (Direct)
		K33047 (Standard)	

Rear Derailleur Hangers

ATIDH0183



K33027



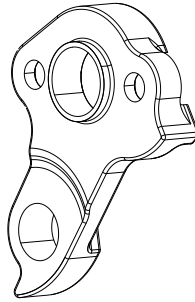
K33047



K33059



K33091



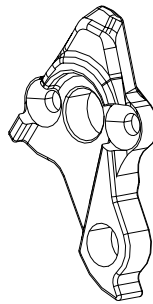
K33177



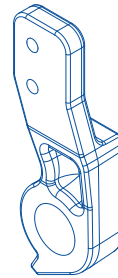
ATIDH0021



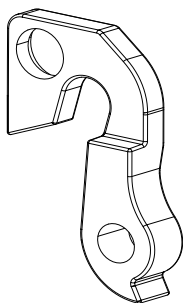
K33013



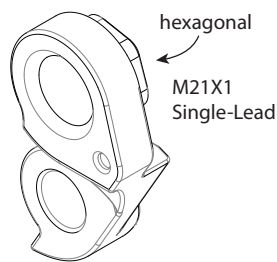
K33050



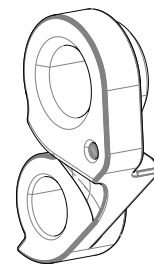
K33177



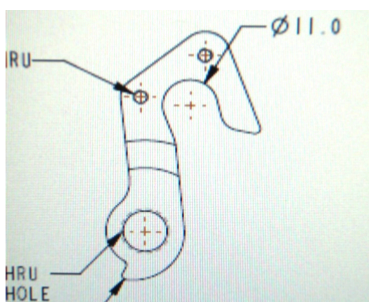
K33040



K33049



ATIDH0233



ATIDH0246



Freehub Bodies

Model Code	Model	Hub	Freehub Body Part Number
G27301M	27.5/29 M Avalanche Comp	GT	K81069
G27301M	27.5/29 M Avalanche Comp	GT	K81069
G27201M	27.5/29 M Avalanche Elite	GT	K81069
G27101M	27.5/29 M Avalanche Expert	GT	K81069
G27401M	27.5/29 M Avalanche Sport	GT	K81069
G27401M	27.5/29 M Avalanche Sport	GT	K81069
G62101M	29 M ePantera Bolt	Shimano	Contact Hub Manufacturer
G62200M	29 M ePantera Current	Shimano	Contact Hub Manufacturer
G26303M	29 M Zaskar LT Comp	GT	KP459/
G26203M	29 M Zaskar LT Elite	GT	KP459/
G26251M	29 M Zaskar LT AI Elite	GT	KP459/
G26151M	29 M Zaskar LT AI Expert	GT	KP459/
G26103M	29 M Zaskar LT Pro	GT	K81003
G62301U	29 U ePantera Dash	GT	KP459/
G26502U	29 U Zaskar FS Comp	GT	KP459/
G26402U	29 U Zaskar FS Sport	GT	KP459/
G11502M	700 M Grade Comp	GT	K81028
G11302M	700 M Grade Crb Elite	GT	K81028
G11102M	700 M Grade Crb Pro LE	WTB	Contact Hub Manufacturer
G11102M	700 M Grade Crb Pro LE	WTB	Contact Hub Manufacturer
G11202M	700 M Grade Crb Pro	GT	K81028
G11402M	700 M Grade Crb X	GT	K81028
G11602M	700 M Grade Sport	GT	KP459/
G54303U	24 U Stomper HT Ace	GT	K81069
G54152U	26 U Stomper FS Ace	GT	KP459/
G54103U	26 U Stomper HT Ace	GT	K81069
G65101M	29 M eForce Amp	GT	KP459/
G65051M	29 M eForce Amp+	GT	KP459/
G65201M	29 M eForce Current	GT	KP459/
G23101U	29 U Force Comp	GT	K81003
G22302U	29 U Force Crb Elite	GT	KP459/

Freehub Bodies

Model Code	Model	Hub	Freehub Body Part Number
G22102U	29 U Force Crb Pro LE	SRAM	Contact Hub Manufacturer
G22202U	29 U Force Crb Pro	GT	K81001
G23201U	29 U Force Sport	GT	KP459/
G24402U	29 U Sensor Comp	GT	KP459/
G24302U	29 U Sensor Crb Elite	GT	KP459/
G24102U	29 U Sensor Crb Pro LE	SRAM	Contact Hub Manufacturer
G24202U	29 U Sensor Crb Pro	GT	KP459/
G24502U	29 U Sensor Sport	GT	KP459/
G24702U	29 U Sensor ST Crb Elite	GT	KP459/
G24602U	29 U Sensor ST Crb Pro	GT	KP459/
G43901U	29 U Street Performer	GT	K81038
G21203U	297 U Fury Elite	GT	K81001
G21103U	297 U Fury Pro	SRAM	Contact Hub Manufacturer

NOTES

