



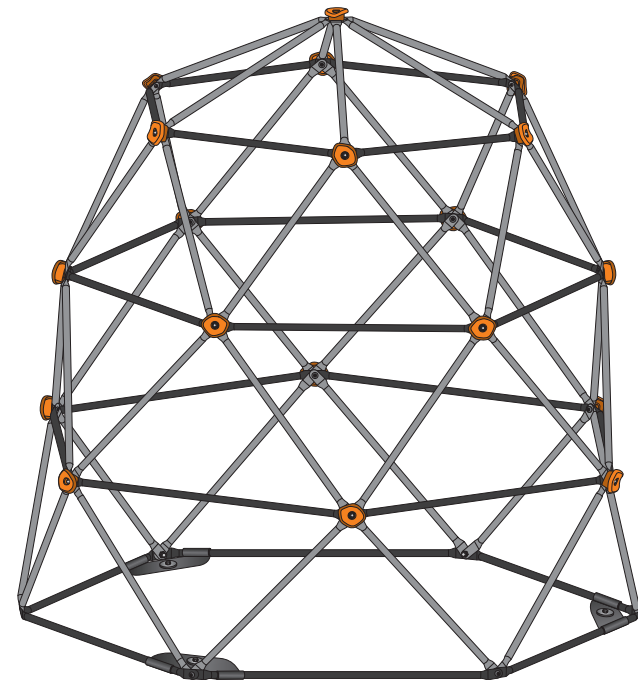
WARNING / ATTENTION!

READ THESE WARNINGS AND MATERIALS BEFORE ASSEMBLY AND USE OF THE EQUIPMENT.

Geometric Climbing Dome

gobaplay

Owner's Manual & Assembly Instructions



gobaplay™ is a registered trademark of goba Sports Group, Inc. in the USA, Canada, and other countries. ©2023

Manufactured, imported, and distributed under license by Core Sports Inc., 151 Whitehall Drive, Markham, Ontario, Canada L3R 9T1

SAVE THIS ASSEMBLY MANUAL FOR FUTURE REFERENCE. IF YOU NEED TO ORDER REPLACEMENT PARTS, CONTACT CUSTOMER SUPPORT:

customercare@gobaplay.com



WARNING

READ THESE WARNINGS AND MATERIALS BEFORE ASSEMBLY AND USE OF THE EQUIPMENT.

BEFORE ASSEMBLY

1. Do not assemble this product without following the instructions carefully. Proper and complete assembly, use, and supervision are essential for proper operation and to reduce the risk of accident or injury. Failure to properly install, maintain, and operate this product can result in serious injury or death to the equipment user.
2. Before beginning assembly, inspect all parts and hardware. Ensure all parts are included by referencing the chart in the assembly instruction.
3. Two (2) adults are required for setup.
4. To prevent serious injury, children must not use the equipment until properly installed. Always keep safety in mind as your structure is being built.
5. Prepare a level surface with the proper safety zone (see Installation Instructions and Ground Preparation Instructions).
6. Warning, this product is only for domestic/residential use. gobaplay does not warranty any residential structures subjected to commercial use, such as Daycare, Preschool, Nursery School, Recreational Park, or any similar Commercial Application.
7. Keep these instructions for future reference.

OPERATOR INSTRUCTIONS

Observing the following statements and warnings reduces the likelihood of serious or fatal injury.

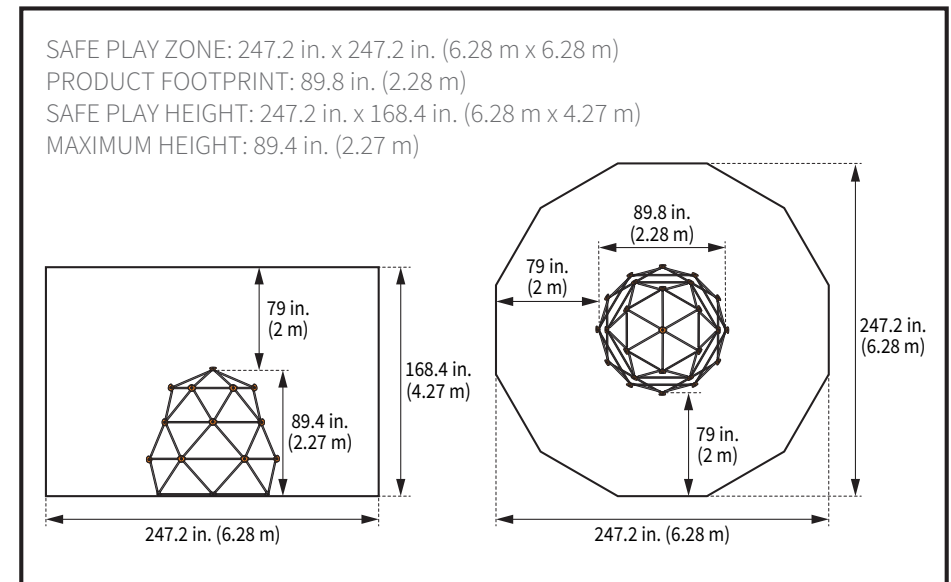
1. Most injuries are caused by misuse and/or not following instructions. Use caution when using this product.
2. The owner must ensure that all users know and follow these rules for safe operation.
3. A maximum of 150 lbs (68 kg) per child is recommended for play activities designed for individual use. A maximum of 100 lbs (45 kg) per child is recommended for play activities designed for multiple child use. A maximum of six (6) children is recommended for this product.
4. On-site adult supervision is required for children of all ages.
5. Instruct children not to walk close to, in front of, behind, or between moving items.
6. Instruct children not to use the equipment in a manner other than intended.
7. Do not allow children to wear inappropriate items such as, but not limited to, loose-fitting clothing, hood and neck drawstrings, scarves, cord-connected items, capes, and ponchos. These items can cause death by strangulation.
8. Instruct children not to climb or play when the equipment is wet.
9. Instruct children not to attach items to the playground equipment that are not

specifically designed for use with the equipment, such as, but not limited to, jump ropes, clotheslines, pet leashes, cables, and chains, as they may cause a strangulation hazard.

10. Instruct children to remove their bike or other sports helmet before playing on the playground equipment.
11. Dress children in well-fitting and full foot-enclosing footwear. Examples of inappropriate footwear are clogs, flip-flops, and sandals.
12. Owners shall be responsible for maintaining the legibility of the warning labels.

INSTALLATION INSTRUCTIONS

1. Place the equipment on level ground to minimize ground preparation and reduce the likelihood of this product tipping over and loose-fill surfacing materials washing away during heavy rains.
2. Position this product not less than 79 in. (2 m) from any structure or obstruction such as a fence, garage, house, overhanging branches, laundry lines, or electrical wires.
3. The SAFE PLAY ZONE refers to a zone extending 79 in. (2 m) beyond the play product on all sides, including the space above the play product. The MAXIMUM FALL HEIGHT refers to the vertical distance between the top of the designated play surface and the protective surfacing below.



4. Place your equipment in an area convenient for adult supervision.



WARNING

READ THESE WARNINGS AND MATERIALS BEFORE ASSEMBLY AND USE OF THE EQUIPMENT.

- Do not install home playground equipment over concrete, asphalt, packed earth, grass, carpet, or any other hard surface. A fall onto a hard surface can result in serious injury or death to the equipment user.
- Create a site free of obstacles that could cause injuries, such as low overhanging tree branches, overhead wires, tree stumps or roots, large rocks, bricks, and concrete.
- Ensure the clearance in front of and behind the swings is at least twice the height of the swing bar.
- Pay special attention to plastic and metal surfaces in direct sunlight, as they may be hot enough to cause burns. Always check the temperature of the product before letting your children play.
- This product must be anchored to prevent tipping, overturning, or lifting during use. Anchors are sold separately. Anchoring devices must be installed through the anchoring holes at the base of the frames. Note that anchoring devices must be placed below the level of the playing surface to prevent tripping or injury resulting from a fall. Do not install this product on surfaces with sandy soil conditions.

GROUND PREPARATION INSTRUCTIONS

- This product should not be built on top of surfacing.
- Do not apply playground surfacing until after the unit is completely constructed.
- All surface material should extend a minimum of 79 in. (2 m) feet in all directions around the play area.
- The maximum fall height for this product is 96.1 in. (2.44 m). The following chart explains the fall height from which a life-threatening head injury would not be expected:

Critical Heights of Tested Materials:

Material	Uncompressed Depth			Compressed Depth
	6 in. (152 mm)	9 in. (228 mm)	12 in. (304 mm)	to 9 in. (228 mm)
Wood Chips	7 ft (2.13 m)	10-12 ft (3.0-3.6 m)	11 ft (3.35 m)	10 ft (3.05 m)
Double-Shredder Bark Mulch	6 ft (1.83 m)	10-12 ft (3.0-3.6 m)	11 ft (3.35 m)	7 ft (2.13 m)
Engineered Wood Fibers	6 ft (1.83 m)	7 ft (2.13 m)	>12 ft (3.66 m)	6 ft (1.83 m)
Fine Sand	5 ft (1.52 m)	5 ft (1.52 m)	9 ft (2.74 m)	5 ft (1.52 m)
Coarse Sand	5 ft (1.52 m)	5 ft (1.52 m)	6 ft (1.83 m)	4 ft (1.22 m)
Fine Gravel	5 ft (1.52 m)	7 ft (2.13 m)	10 ft (3.05 m)	6 ft (1.83 m)
Medium Gravel	5 ft (1.52 m)	5 ft (1.52 m)	6 ft (1.83 m)	5 ft (1.52 m)
Shredded Tires*	10-12 ft (3.0-3.6 m)	N/A	N/A	N/A

*This data is from tests conducted by independent testing laboratories on a 6 in. (153 mm) depth of uncompressed shredded tire samples produced by four manufacturers. The tests reported critical heights ranging from 120 in. (3 m) to greater than 144 in. (3.7 m). It is recommended that persons seeking to install shredded tires as a protective surface request test data from the supplier showing the critical height of the material when it was tested per ASTM F1292.

The following information is from the United States Consumer Product Safety Commission's Information Sheet for playground surfacing material; also see the following website for additional information: www.cpsc.gov.

One of the most important things you can do to reduce the likelihood of serious head injuries is to install shock-absorbing protective surfacing under and around your play equipment. The protective surfacing should be applied to a depth that is suitable for the equipment height in accordance with ASTM Specification F1292. There are different types of surfacing to choose from; whichever product you select, follow these guidelines:

- Loose-Fill Materials:
 - Maintain a minimum depth of 9 in. (229 mm) of loose-fill materials such as wood mulch/chips, engineered wood fiber (EWF), or shredded/recycled rubber mulch for equipment up to 96 in. (2438 mm) high; and 9 in. (229 mm) of sand or pea gravel for equipment up to 60 in. (1524 mm) high. NOTE: An initial fill level of 12 in. (305 mm) will compress to about a 9 in. (229 mm) depth of surfacing over time. The surfacing will also compact, displace, and settle, and should be periodically refilled to maintain at least a 9 in. (229 mm) depth.
- Use a minimum of 6 in. (152 mm) of protective surfacing for play equipment less than 48 in. (1219 mm) in height. If maintained properly, this should be adequate. (At depths less than 6 in. (152 mm), the protective material is too easily displaced or compacted.) NOTE: Do not install home playground equipment over concrete, asphalt, or any other hard surface. A fall onto a hard surface can result in serious injury to the equipment user. Grass and dirt are not considered protective surfacing because wear and environmental factors can reduce their shock absorbing effectiveness. Carpeting and thin mats are generally not adequate protective surfacing. Ground level equipment – such as a sandbox, activity wall, playhouse or other equipment that has no elevated play surface – does not need any protective surfacing.
- Use containment, such as digging out around the perimeter and/or lining the perimeter with landscape edging. Don't forget to account for water drainage.
 - Check and maintain the depth of the loose-fill surfacing material. To maintain the right amount of loose-fill materials, mark the correct level on play equipment support posts. That way you can easily see when to replenish and/or redistribute the surfacing.
 - Do not install loose fill surfacing over hard surfaces such as concrete or asphalt.



WARNING

READ THESE WARNINGS AND MATERIALS BEFORE ASSEMBLY AND USE OF THE EQUIPMENT.

4. Poured-In-Place Surfaces or Pre-Manufactured Rubber Tiles—You may be interested in using surfacing other than loose-fill materials – like rubber tiles or poured-in-place surfaces.
 - Installations of these surfaces generally require a professional and are not “do-it-yourself” projects.
 - Review surface specifications before purchasing this type of surfacing. Ask the installer/manufacturer for a report showing that the product has been tested to the following safety standard: ASTM F1292 Standard Specification for Impact Attenuation of Surfacing Materials within the Use Zone of Playground Equipment. This report should show the specific height for which the surface is intended to protect against serious head injury. This height should be equal to or greater than the fall height – vertical distance between a designated play surface (elevated surface for standing, sitting, or climbing) and the protective surfacing below – of your play equipment.
 - Check the protective surfacing frequently for wear.
5. Placement—Proper placement and maintenance of protective surfacing is essential. Be sure to:
 - Extend surfacing at least 72 in. (2 m) from the equipment in all directions.
 - For to-fro swings, extend protective surfacing in front of and behind the swing to a distance equal to twice the height of the top bar from which the swing is suspended.
 - For tire swings, extend surfacing in a circle whose radius is equal to the height of the suspending chain or rope, plus 6 ft in all directions.

*This information has been extracted from the CPSC publications “Playground Surfacing — Technical Information Guide” and “Handbook for Public Playground Safety.” Copies of these reports can be obtained by sending a postcard to the: Office of Public Affairs, U.S. Consumer Product Safety Commission, Washington, D.C., 20207 or by calling the toll-free hotline: 1-800-638-2772.

**The American Society for Testing and Materials takes no position respecting the validity of any parent right asserted in connection with any item mentioned in this standard. Users of this standard are expressly advised that the determination of the validity of any such parent rights, and the risk of infringement of such rights, are entirely their own responsibility.

***The standard is subject to revision at any time by the responsible technical committee and must be reviewed every five years and, if not revised, either approved or withdrawn. Your comments are invited either for revision of this standard or for additional standards and should be addressed to ASTM Headquarters. Your comments will receive careful consideration at a meeting of the responsible technical committee, which you may attend. If you feel that your comments have not received a fair hearing, you should make your views known to the ASTM Committee on Standards, 100 Barr Harbor Drive, West Conshohocken, PA 19428.

MAINTENANCE INSTRUCTIONS

If routine checks and maintenance procedures are not done, the equipment could overturn and/or become a hazard.

AT THE BEGINNING OF EACH PLAY SEASON:

1. Tighten all hardware.
2. Lubricate all metallic moving parts.
3. Check all protective coverings on bolts, pipes, edges and corners. Replace if they are loose, cracked or missing.
4. Check all moving parts, including swing seats, ropes, cables and chains for wear, rust or other deterioration. Replace as needed.
5. Check metal parts for rust. If found, sand and repaint using a non lead-based paint meeting the requirements of 16 CFR 1303.
6. Reinstall any plastic parts, such as swing seats or any other items that were removed for the cold season.
7. Rake and check depth of loose fill protective surfacing materials to prevent compaction and to maintain appropriate depth. Replace as necessary.

TWICE A MONTH DURING PLAY SEASON:

1. Tighten all hardware.
2. Check all protective coverings on bolts, pipes, edges and corners. Replace if they are loose, cracked or missing.
3. Rake and check depth of loose fill protective surfacing materials to prevent compaction and to maintain appropriate depth. Replace as needed.

ONCE A MONTH DURING PLAY SEASON:

1. Lubricate all metallic moving parts.
2. Check all moving parts including swing seats, ropes, cables, and chains for wear, rust, or other deterioration. Replace as needed.

AT THE END OF EACH PLAY SEASON OR WHEN THE TEMPERATURE DROPS BELOW 40°F (5°C):

1. Remove plastic swing seats and the trapeze swing and take them indoors or do not use.
2. Rake and check depth of loose fill protective surfacing materials to prevent compaction and to maintain appropriate depth. Replace as necessary.

DISPOSAL INSTRUCTIONS

Disassemble and dispose of the playground equipment in such a way that no unreasonable hazards will exist at the time the equipment is discarded. Follow all local disposal requirements.



WARNING

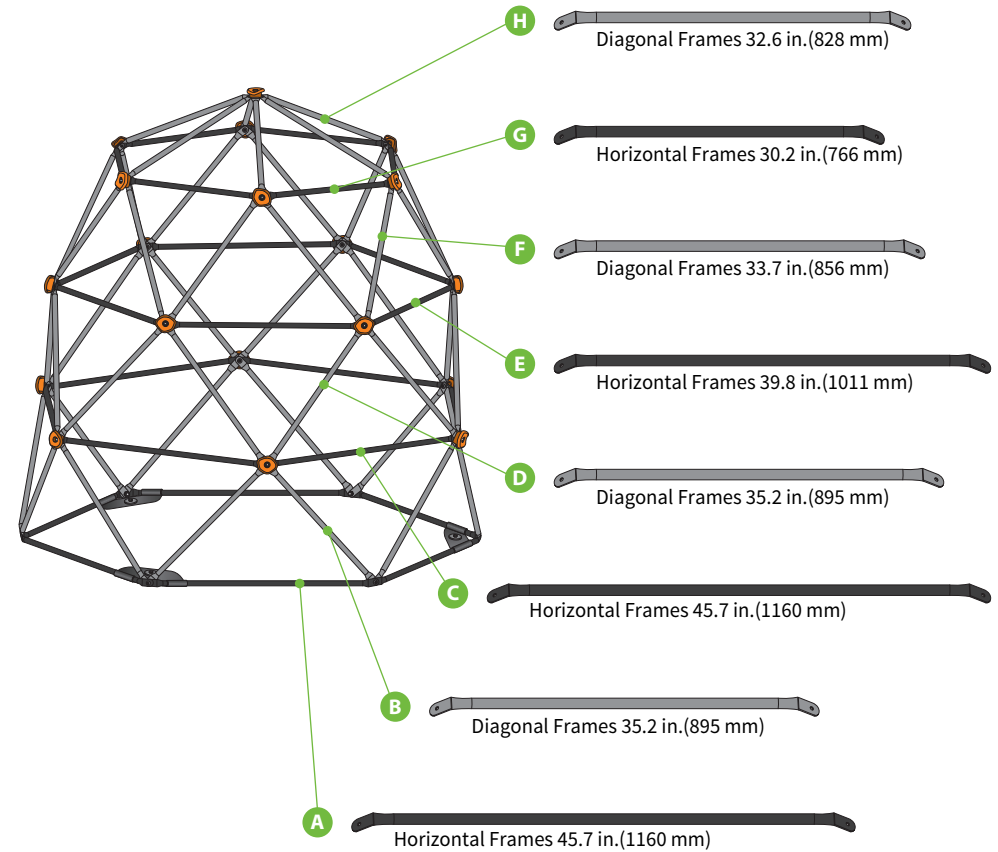
READ THESE WARNINGS AND MATERIALS BEFORE ASSEMBLY AND USE OF THE EQUIPMENT.

THIRD-PARTY ASSEMBLY

1. Customers may, in their sole discretion, elect to use a third party person or service to assemble this product. gobaplay assumes no responsibility or liability for any charge incurred by the customer for any assembly services. Please see our warranty for more information about damaged and missing part replacement coverage. gobaplay will not reimburse customers for the price of parts purchased.
2. Modifications made by the consumer to the original activity toy shall be carried out according to the instructions of the manufacturer. In particular, instructions shall be provided with kit/accessory about the installation of rope/nets concerning the minimum diameter, the need for fixation ends, overall length, and positioning in relation to other at both structures.
3. gobaplay shall not be liable for costs, damages or repairs incurred as a result of:
 - Products purchased from an unauthorized dealer.
 - Improper installation not in accordance with the Owner's Manual & Assembly Instructions.
 - Careless operation or handling, misuse, abuse, and/or lack of maintenance or use not in accordance with the Owner's Manual & Assembly Instructions.
 - External sources such as weather events, theft, fire, fireworks, animal damage, cuts, burns or vandalism.
 - Repairs or alterations carried out by unauthorized parties or agents.
 - Use of the product other than for private household purposes (i.e., commercial or rental purposes) unless exempted by local legislation and laws.
 - This limited warranty does not cover misuse or minor imperfections in products that meet design specifications or do not materially alter functionality.

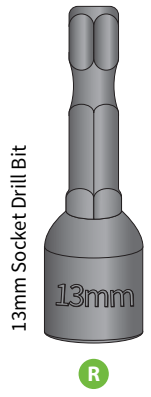
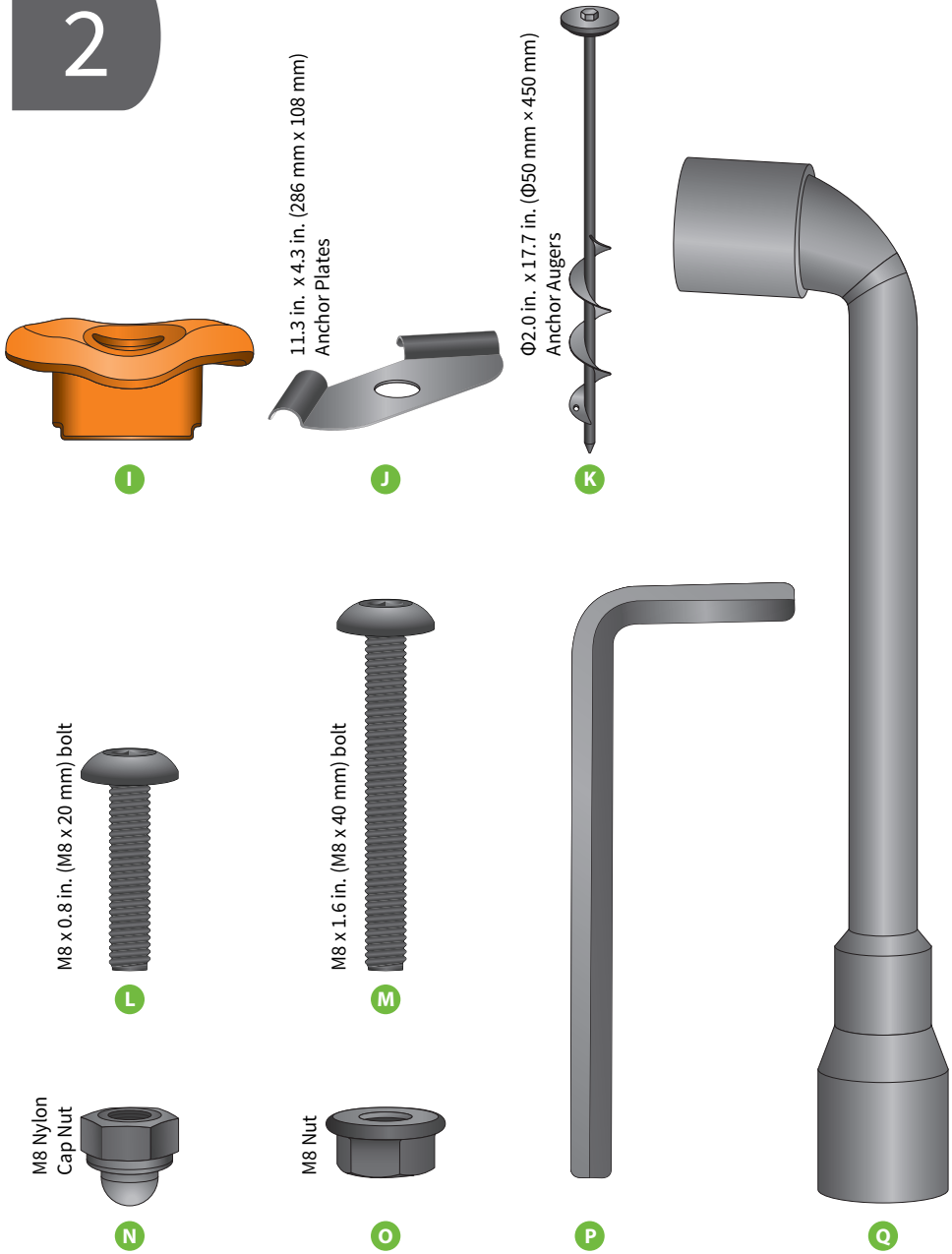
ASSEMBLY

1



- Lay out the parts as shown but DO NOT take the frames out of their bags. This will slow down the installation process.

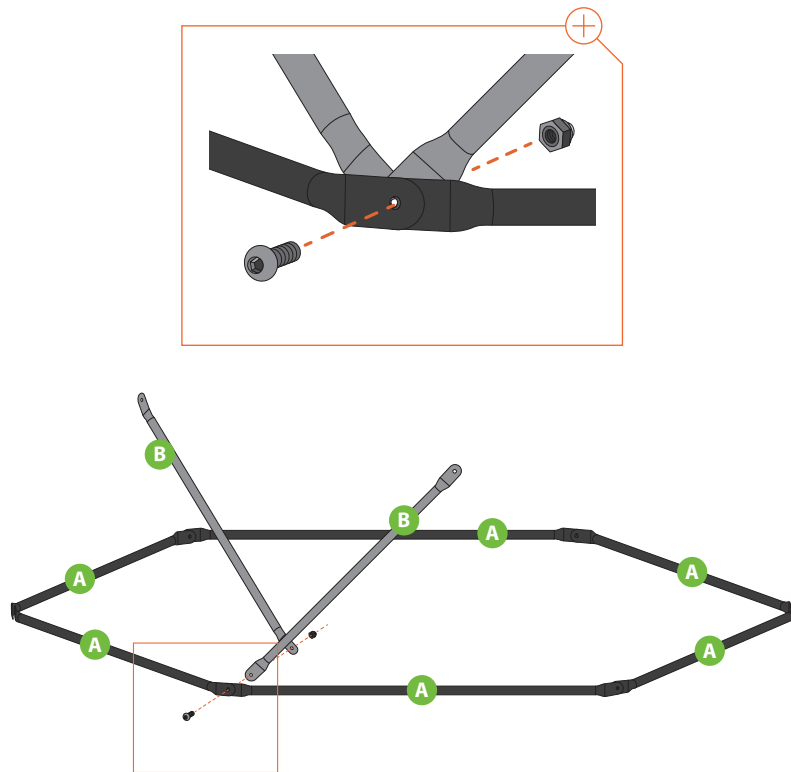
ASSEMBLY
2



Part	Quantity	Part	Quantity
A. Horizontal Frames 45.7 in.(1160 mm)	6	J. Anchor Plates	3
B. Diagonal Frames 35.2 in.(895 mm)	12	K. Anchor Augers	3
C. Horizontal Frames 45.7 in.(1160 mm)	6	L. Small Bolts	6
D. Diagonal Frames 35.2 in.(895 mm)	12	M. Large Bolts	19
E. Horizontal Frames 39.8 in.(1011 mm)	6	N. Cap Nuts	25
F. Diagonal Frames 33.7 in.(856 mm)	12	O. Nuts	19
G. Horizontal Frames 30.2 in.(766 mm)	6	P. Hex Key	1
H. Diagonal Frames 32.6 in.(828 mm)	6	Q. Socket Tool	1
I. Hand Grips	19	R. Socket Drill Bit	1

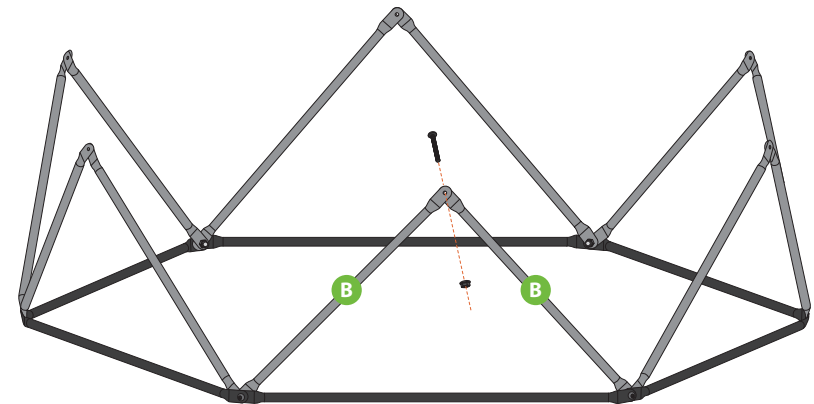
WARNING - Use the tools provided to tighten the bolts.

- Lay out the parts as shown.
- If you are missing any parts, please get in touch with gobaplay.

**STOP**

NOTE - For this step only, make sure that the bolts are aligned so that the head of the bolts are on the outside of the frames and the cap nuts face the center.

- Locate the bag of frames with the **A** and **B** stickers.
- Lay out the six **A** Frames on the ground as shown.
- Take two **B** Frames and align them BEHIND the **A** Frames, as shown.
- Connect and fasten the frames using an **L** bolt and **N** cap nut. Do not tighten the nut; this will be done later.
- Repeat this process with the rest of the **B** frames.

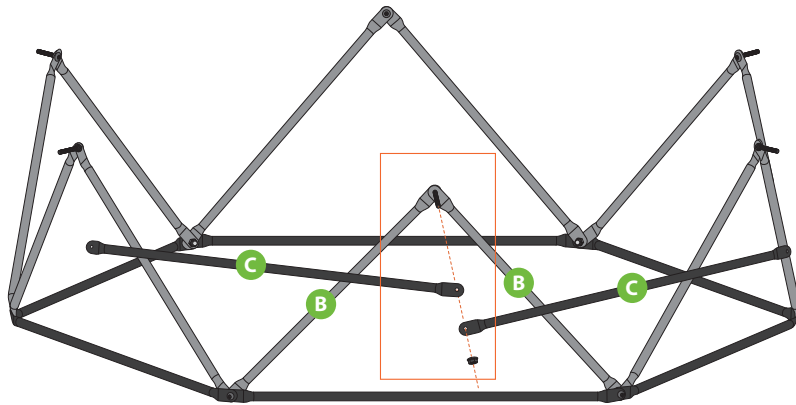
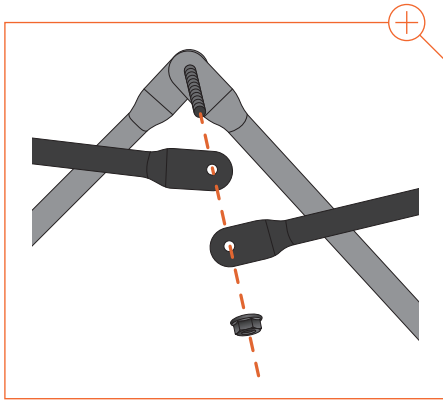
**STOP**

NOTE - For the rest of the steps, make sure that the bolts are aligned so that the nuts are on the outside of the frames and the head of the bolts faces the center.

- Bring two **B** Frames together and secure them with an **M** bolt and **O** nut.
- The nut only needs to be finger-tight; it will be removed in future steps as you add more frames.
- Repeat this process with the rest of the **B** frames.

ASSEMBLY

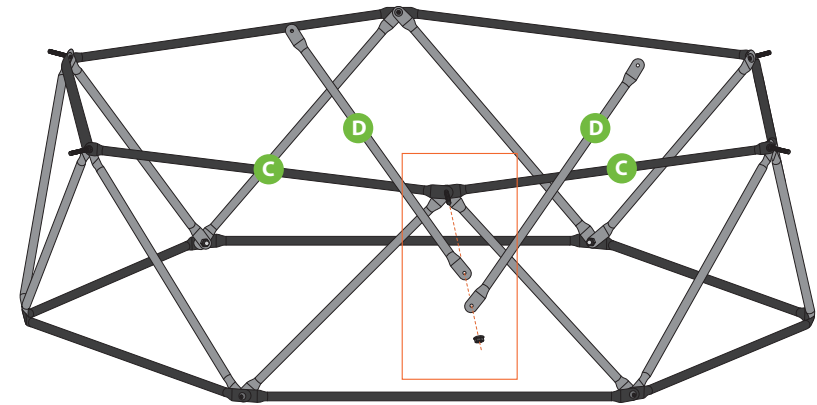
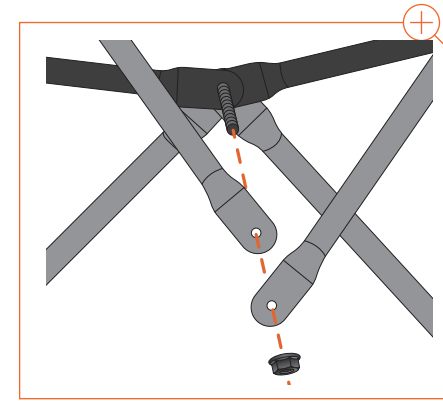
5



- Locate the bag of frames with the **C** sticker.
- Choose a connection point and unfasten an **O** nut.
- Take two **C** Frames and align them IN FRONT of the bolt connecting the **B** Frames, as shown.
- Secure the **C** Frames to the **B** Frames by refastening the **M** bolt and **O** nut.
- The nut only needs to be finger-tight; it will be removed again as you add more frames.
- Repeat this process with the rest of the **C** frames.

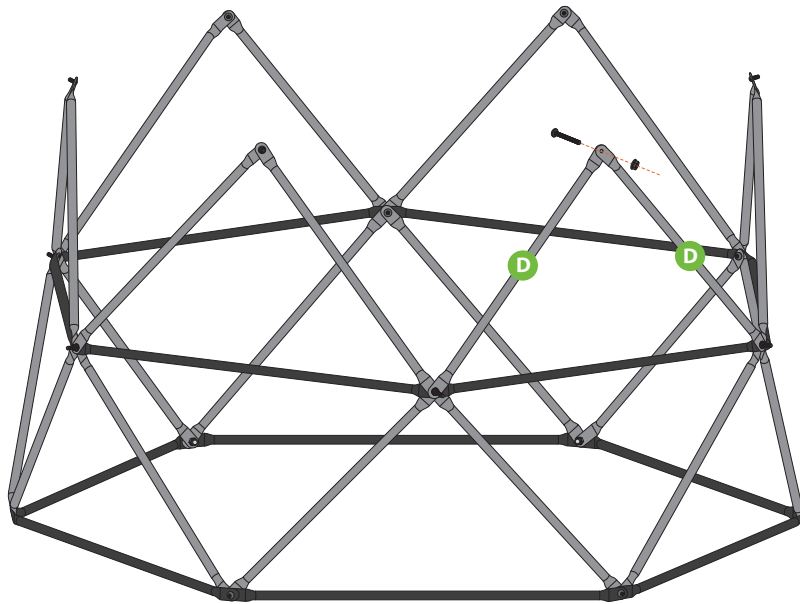
ASSEMBLY

6



- Locate the bag of frames with the **D** sticker.
- Choose a connection point and unfasten an **O** nut.
- Take two **D** Frames and align them IN FRONT of the bolt connecting the **C** and **B** Frames, as shown.
- Secure the frames by refastening the **O** nut to the **M** bolt.
- The nut only needs to be finger-tight; it will be removed again as you add more frames.
- Repeat this process with the rest of the **D** frames.

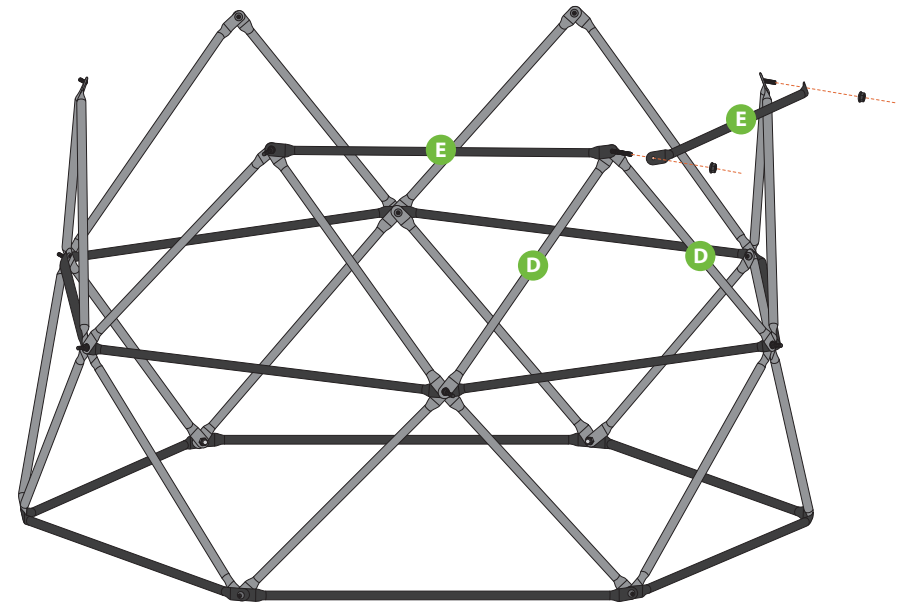
ASSEMBLY
7



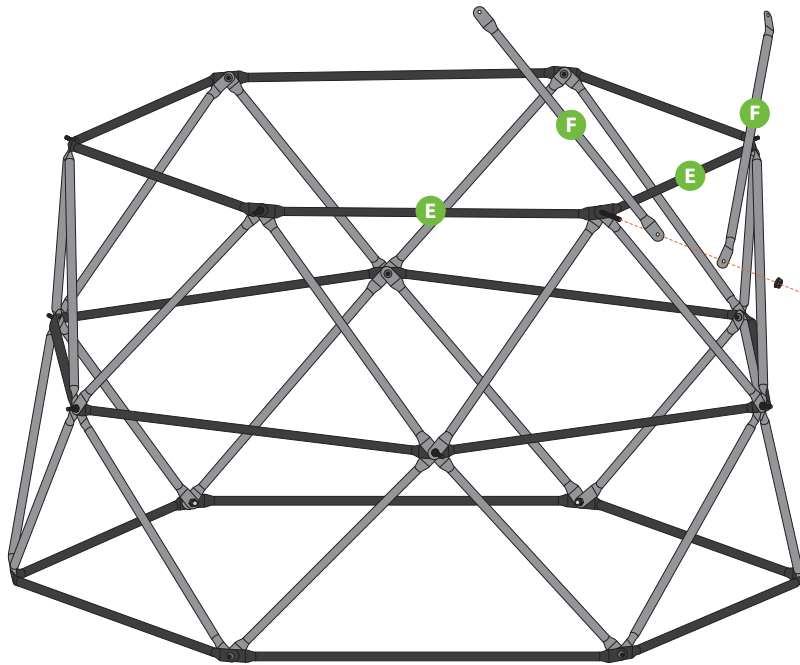
NOTE - Just a reminder to make sure that the bolts are aligned so that the nuts are on the outside of the frames and the head of the bolts faces the center.

- Bring two **D** Frames together and secure them with an **M** bolt and **O** nut.
- The nut only needs to be finger-tight; it will be removed in future steps as you add more frames.
- Repeat this process with the rest of the **D** frames.

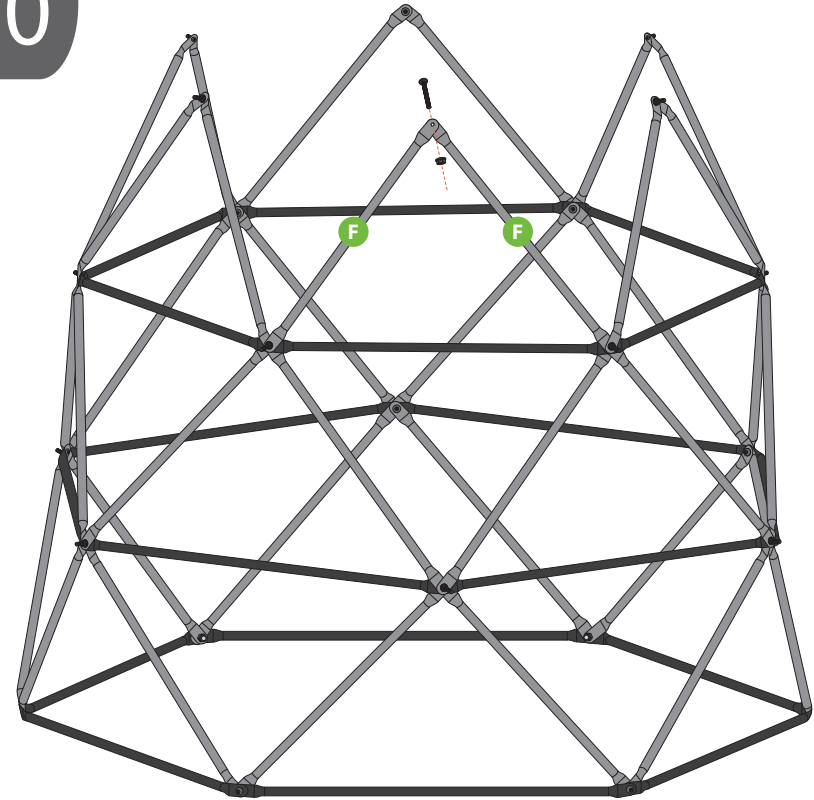
ASSEMBLY
8



- Locate the bag of frames with the **E** sticker.
- Choose a connection point and unfasten an **O** nut.
- Take two **E** Frames and align them IN FRONT of the bolt connecting the **D** Frames, as shown.
- Secure the **E** Frames to the **D** Frames by refastening the **M** bolt and **O** nut.
- The nut only needs to be finger-tight; it will be removed again as you add more frames.
- Repeat this process with the rest of the **E** frames.

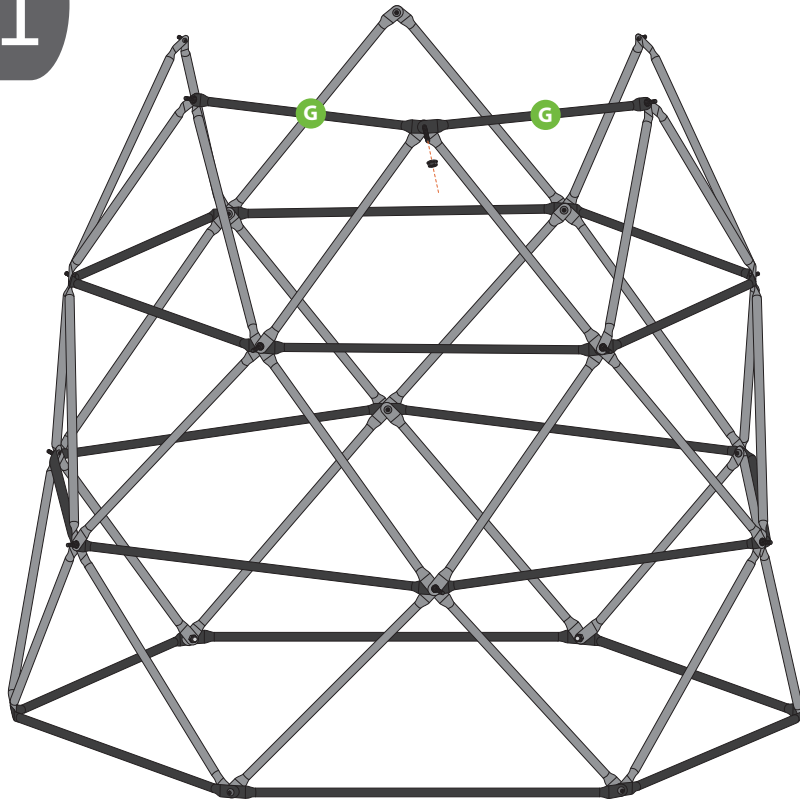


- Locate the bag of frames with the **F** sticker.
- Choose a connection point and unfasten an **O** nut,
- Take two **F** Frames and align them IN FRONT of the bolt connecting the **E** and **D** Frames, as shown.
- Secure the frames by refastening the **O** nut to the **M** bolt.
- The nut only needs to be finger-tight; it will be removed again as you add more frames.
- Repeat this process with the rest of the **F** frames.



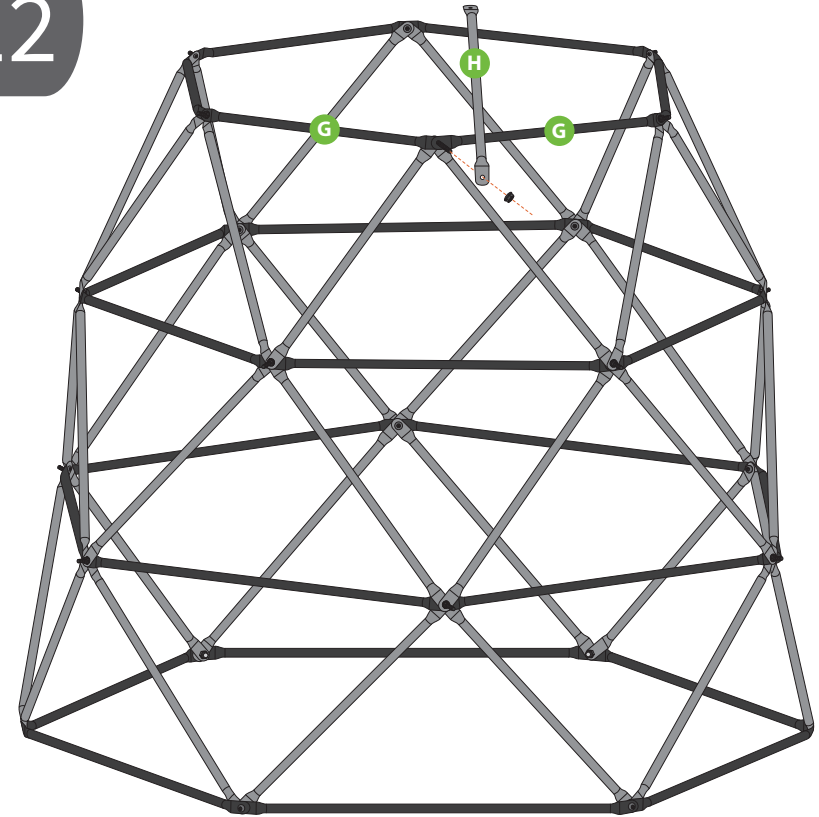
WARNING - Do not climb on the equipment until it is completely assembled. If using a ladder or stool during assembly, use extreme caution.

- Bring two **F** Frames together and secure them with an **M** bolt and **O** nut.
- The nut only needs to be finger-tight; it will be removed in future steps as you add more frames.
- Repeat this process with the rest of the **F** frames.



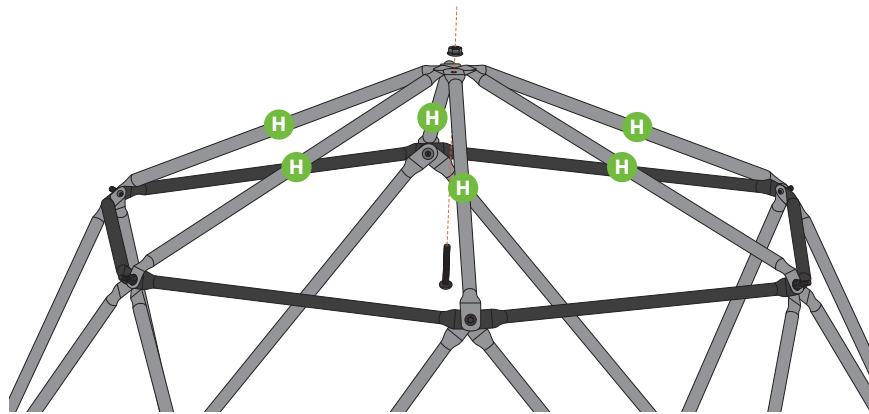
WARNING - Do not climb on the equipment until it is completely assembled. If using a ladder or stool during assembly, use extreme caution.

- Locate the bag of frames with the **G** sticker.
- Choose a connection point and unfasten an **O** nut.
- Take two **G** Frames and align them IN FRONT of the bolt connecting the **F** Frames, as shown.
- Secure the **G** Frames to the **F** Frames by refastening the **M** bolt and **O** nut.
- The nut only needs to be finger-tight; it will be removed again as you add more frames.
- Repeat this process with the rest of the **G** frames.



WARNING - Do not climb on the equipment until it is completely assembled. If using a ladder or stool during assembly, use extreme caution.

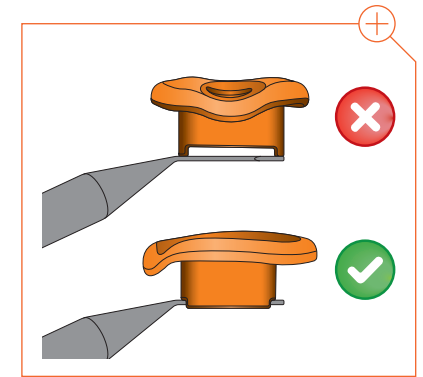
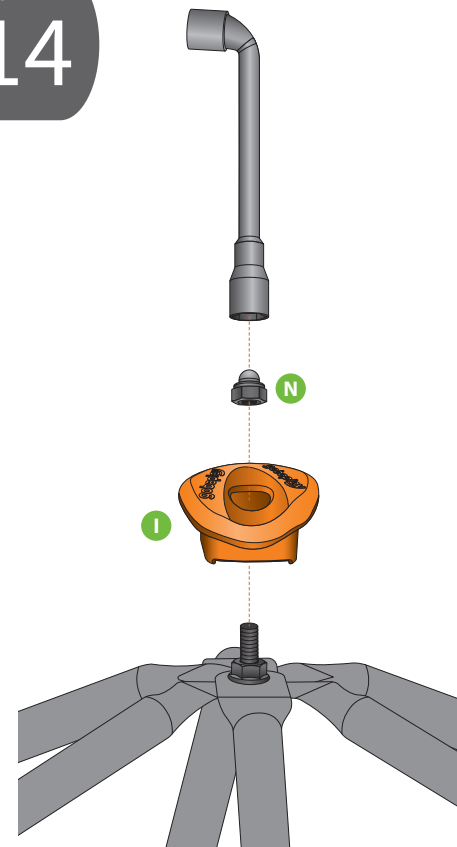
- Locate the bag of frames with the **H** sticker.
- Choose a connection point and unfasten an **O** nut,
- Take one **H** Frames and align them IN FRONT of the bolt connecting the **G** and **F** Frames, as shown.
- Secure the frames by refastening the **O** nut to the **M** bolt.
- The nut only needs to be finger-tight; it will be removed again as you add more frames.
- Repeat this process with the rest of the **H** frames.



WARNING - Use the tools provided to tighten the bolts. The use of power tools may cause severe damage to the frame.

WARNING - Do not climb on the equipment until it is completely assembled. If using a ladder or stool during assembly, use extreme caution.

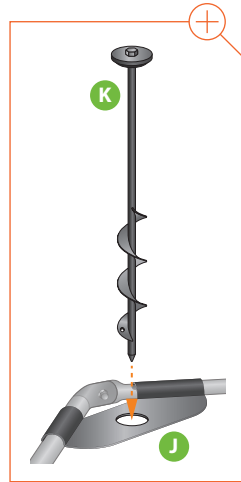
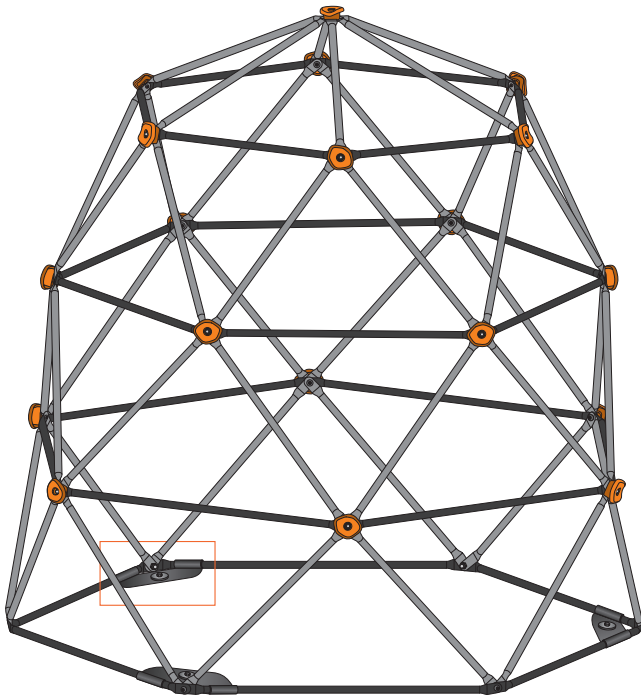
- Bring six **H** Frames together and secure them with an **M** bolt and **O** nut.
- Tighten the bolt and nut securely using the **P** hex key and **Q** socket tool provided.
- Continue tightening the fasteners until the flat ends of the frames are fully pressed together, and the bolt thread can no longer be seen between the frames.
- Continue working around the dome until all bolts and nuts are securely fastened.



WARNING - Do not climb on the equipment until it is completely assembled. If using a ladder or stool during assembly, use extreme caution.

WARNING - Do not allow anyone to use the equipment until all hand grips are fully secured. Do not allow children to play on broken or damaged equipment. Replace damaged or broken components immediately.

- Attach the **I** hand grips over the **M** bolt and secure with an **N** cap nut.
- Take care to align the hand grip so that it straddles the frame, as shown.
- Tighten using the **Q** socket tool, but do not overtighten, as this could damage the hand grips.
- Continue working around the dome until all hand grips are securely fastened with cap nuts.



WARNING - Before installing the anchors, check for underground power, gas, telephone, water, or other utility lines and pipes. Failure to do so could result in serious or fatal injury.

WARNING - If you have rocky terrain or cannot install the augers to their full depth, you must find an alternative method for securing your equipment. The anchors cannot be relied upon to secure your equipment if not fully and properly installed.

- Position the three **J** Anchor Plates over the frame as shown.
- Using the **Q** socket, screw the **K** Anchor Augers into the soil until flush with the Anchor Plate. Alternatively, use the **R** socket drill bit to drill the augers into the ground.
- Congratulations! You have successfully installed your climbing dome. Have fun!

GOBAPLAY LIMITED WARRANTY

WHAT IS COVERED

gobaplay warrants your product against original manufacturer's defects in material and workmanship. All product components are warranted for two (2) years from the date of purchase (proof of purchase required). This warranty is only valid when used for private household purposes in accordance with the Owner's Manual & Assembly Instructions unless exempted by local legislation and laws. This warranty provides, at no extra cost, all parts necessary to ensure your product is in proper working condition throughout the 2-year warranty period. You are entitled to have the goods repaired or replaced if the goods fail to be of acceptable quality.

WHAT IS NOT COVERED

gobaplay shall not be liable for costs, damages or repairs incurred as a result of:

- Products purchased from an unauthorized dealer.
- Improper installation not in accordance with the Owner's Manual & Assembly Instructions.
- Careless operation or handling, misuse, abuse, and/or lack of maintenance or use not in accordance with the Owner's Manual & Assembly Instructions.
- External sources such as weather events, theft, fire, fireworks, animal damage, cuts, burns or vandalism.
- Repairs or alterations carried out by unauthorized parties or agents.
- Use of the product other than for private household purposes (i.e.: commercial or rental purposes), unless exempted by local legislation and laws.
- This limited warranty does not cover misuse or minor imperfections in products that meet design specifications or do not materially alter functionality.

SUBMITTING YOUR WARRANTY CLAIM

If you believe your gobaplay product has a manufacturer's defect and need to make a warranty claim, you can lodge your claim online at customercare@gobaplay.com. The terms of the limited warranty require that you contact gobaplay with your model name, serial number, date and place of purchase, and a scan of your purchase receipt. Replacement parts provided under this warranty do not extend the period of the warranty. Replacement parts receive a warranty equal to the residual balance of the original product warranty.

WARRANTY LIMITATIONS

- This warranty contains certain limitations and gives you specific legal rights. You may also have other rights which vary by state, province or territory, unless exempted by local legislations and laws.
- gobaplay is not responsible or liable for indirect, special, or consequential damages arising out of or in connection with the use or performance of the product or any other damages with respect to any economic loss, loss of property, loss of revenue, or profits, loss of enjoyment or use, cost of removal, installation, disassembly or other consequential damages.
- gobaplay will not be liable for any consequential damages or incidental damages you may incur in connection with your purchase and use of your product.
- Any implied warranties relating to your product, including but not limited to warranty of merchantability or warranty of fitness for a particular purpose, are limited to the duration of this warranty.
- For color-customized products, specific color replacement parts are not guaranteed and are based on availability only. gobaplay will provide replacement parts that are compatible parts to satisfy the warranty claim, even if the part replacement differs in color from your original purchase.
- For customers in Australia, our goods come with guarantees that cannot be excluded under Australian Consumer Law. You are entitled to a replacement or refund for a major failure and compensation for any other reasonably foreseeable loss or damage. You are also entitled to have the goods repaired or replaced if the goods fail to be of acceptable quality and the failure does not amount to a major failure. This limited warranty includes any associated shipping costs to ship the replacement parts to you under warranty.
- If you bought this product in New Zealand, the laws of New Zealand apply. Any dispute arising in relation to your gobaplay purchase will be resolved in accordance with New Zealand laws. Nothing in our warranty limits your rights under the Consumer Guarantees Act 1993, the Fair Trading Act 1986 or any other New Zealand laws. This limited warranty includes any associated shipping costs to ship the replacement parts to you under warranty.

If you have any questions or concerns regarding this limited warranty or if your warranty has expired and you need to purchase replacement parts, please contact our gobaplay Customer Support at customercare@gobaplay.com.