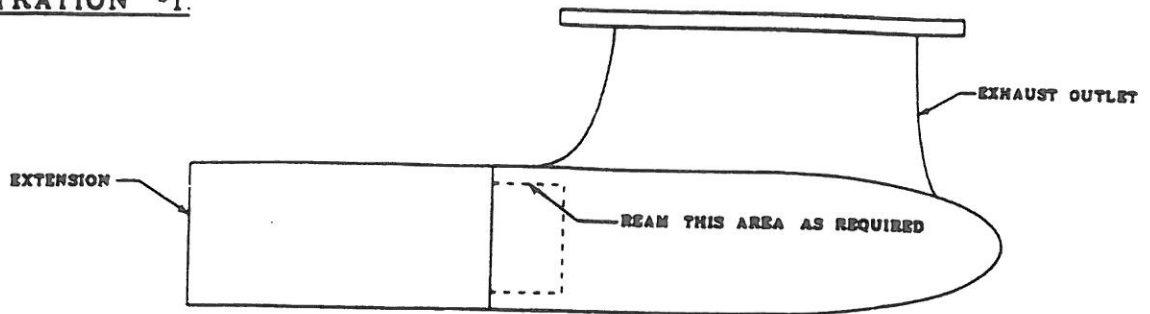


# 6" BRONZE EXHAUST EXTENSION INSTALLATION

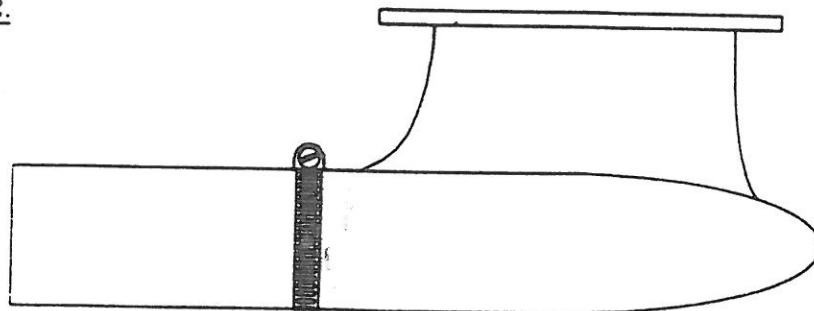
ILLUSTRATION °1.



1) INSERT 6" EXHAUST EXTENSION INTO THE BOAT'S DISCHARGE EXHAUST OUTLET AS SHOWN IN ILLUSTRATION °1.

NOTE: A) DO NOT FORCE EXTENSION INTO OUTLET. IF NECESSARY, REAM INSIDE AREA OF EXHAUST OUTLET UNTIL THE EXTENSION WILL FIT.  
B) ON MOST INSTALLATIONS THE EXTENSION WILL FIT LOOSELY.

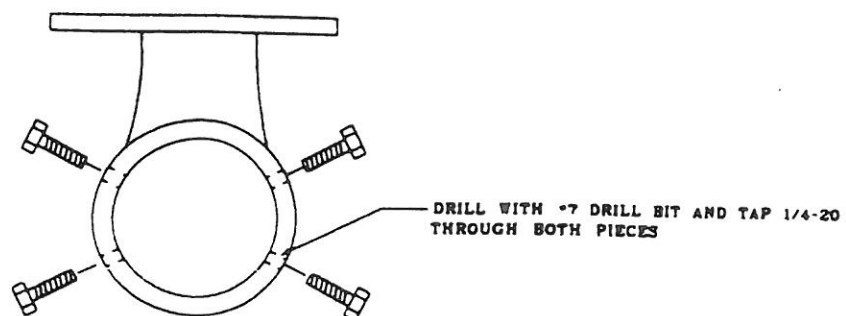
ILLUSTRATION °2.



2) USING HOSE CLAMP PROVIDED, SECURE EXHAUST EXTENSION TO EXHAUST PORT AS SHOWN IN ILLUSTRATION °2.

NOTE: IF EXTENSION IS LOOSE, WRAP ELECTRICAL TAPE AROUND THE OUTSIDE OF THE HOUSING UNTIL CLAMP SECURELY HOLDS EXHAUST EXTENSION.

ILLUSTRATION °3.



3) MARK, DRILL, AND TAP BOTH PIECES FOR 1/4-20 BOLTS IN FOUR PLACES- SEE ILLUSTRATION °3.

NOTE: DRILLING AND TAPPING BOTH PARTS WILL PREVENT EXCESS STRESS ON THE OUTER EXHAUST PORT

4) INSTALL 1/4-20 X 5/8" SS HEX HEAD BOLTS WITH BLUE LOCK-TITE (THREADLOCKER 242-ITEM °24231) DO NOT OVER TIGHTEN

5) REMOVE HOSE CLAMP AND BOTTOM PAINT AS NEEDED.