

FR LIFT

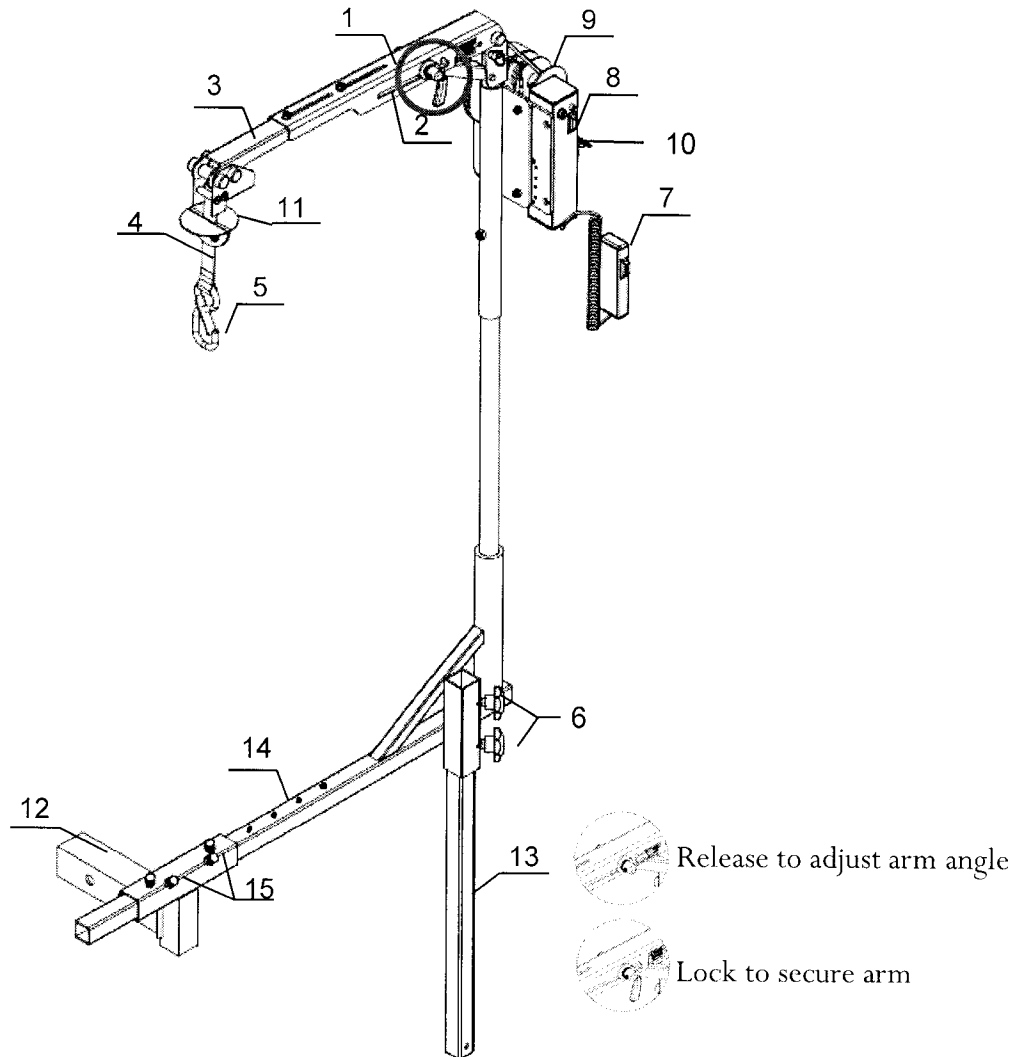
FreeRider®

Easy ON **FL-100**

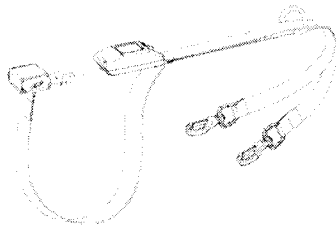
www.WheelchairSuperstore.com

Easy OFF

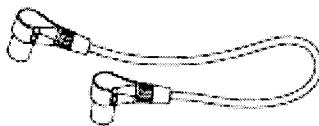
QUICK START GUIDE



Scooter binding belt



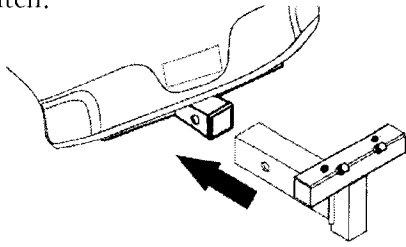
Power wire



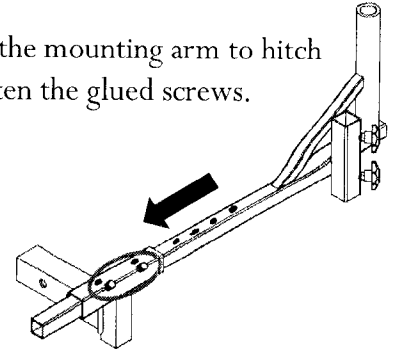
- | | | |
|-------------------------|-----------------------|------------------|
| 1 Boom arm | 6 Fix knobs | 11 Stop plate |
| 2 Height locating slots | 7 Remote hand control | 12 Hitch adapter |
| 3 Extension arm | 8 Control switch | 13 Support tube |
| 4 Loading belt | 9 Motor | 14 Mounting arm |
| 5 Lifting hook | 10 Power socket | 15 Screws [2] |

Your install Instructions

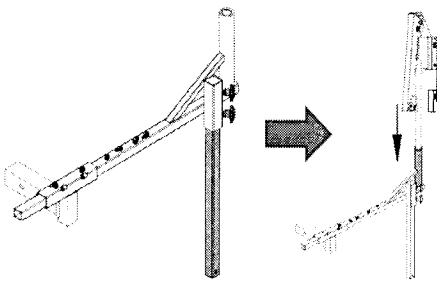
Step1. Insert the hitch adapter to the vehicle. Make sure hitch adapter is properly secured to the hitch.



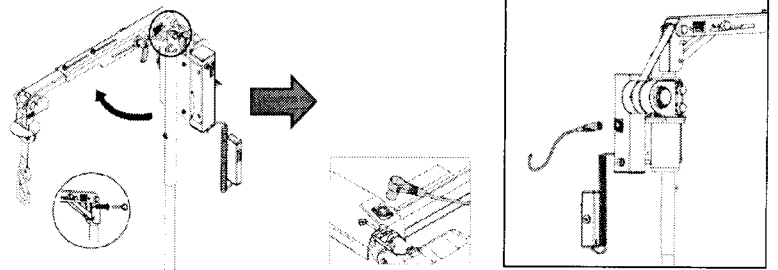
Step2. Assemble the mounting arm to hitch adapter, and tighten the glued screws.



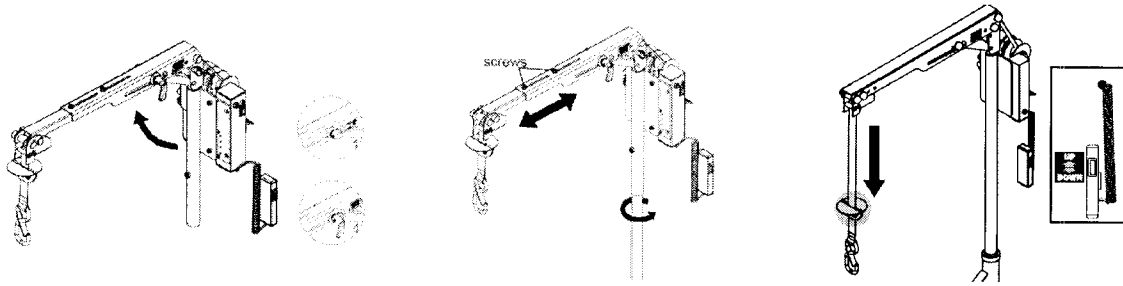
Step3. Place the support tube, tighten the fix knobs and place the lift.



Step4. Adjust the proper angle and connect the power wire.



Easy adjust



Smart Lifting

