

## Instructions for the Lego Hercules Wankel 2000

A few things to keep in mind before we start:

*This is not an official Lego set, it contains only original Lego pieces, but the design is a custom made product of BrickScale AB. This means that in some cases the model might be a bit weaker than allowed in Lego sets, this happen when asthetich looks are prioritized.*

*A mistake in the design process sadly slipped out all the way to finished product, which resulted in a too short stand being present in this model. Extra pieces to fix this is sent to everyone and in the end of the instructions you will see how o fix the issue.*

*You will still be able to build the model without these extra parts, you only need o place something under the stand to make the bike stand for itself. We are of course very sorry for this but want to point out that things like this are very easy to happen in low unit exclusive productions. Thank you for understanding.*

*Other than this, we are all set to build!*

*We recommend to have a ruler with you to measure the different shafts an bars.*

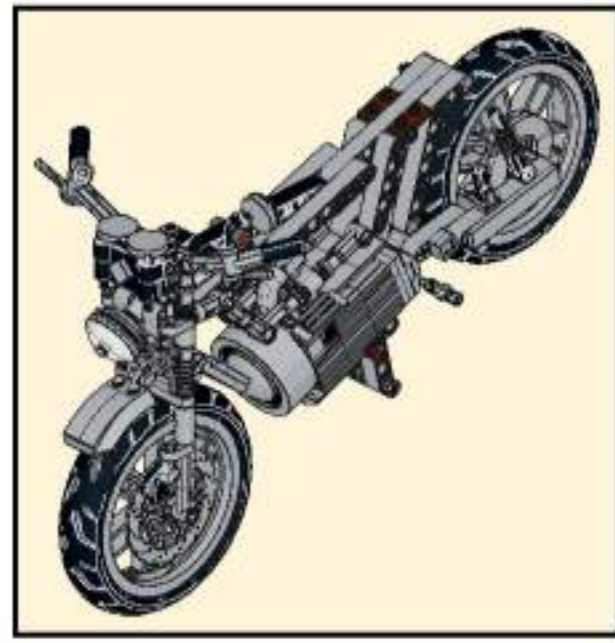
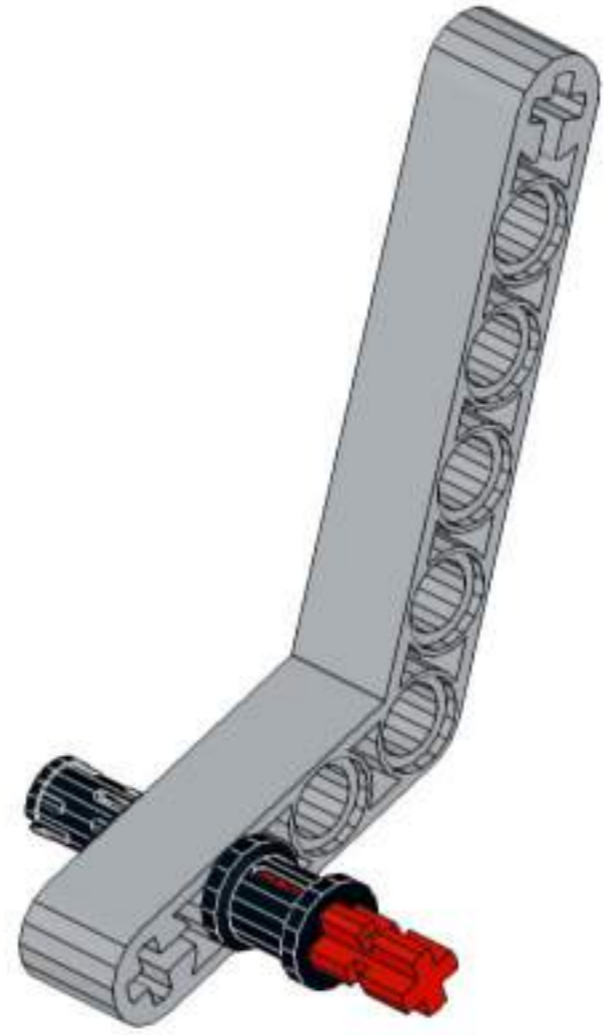
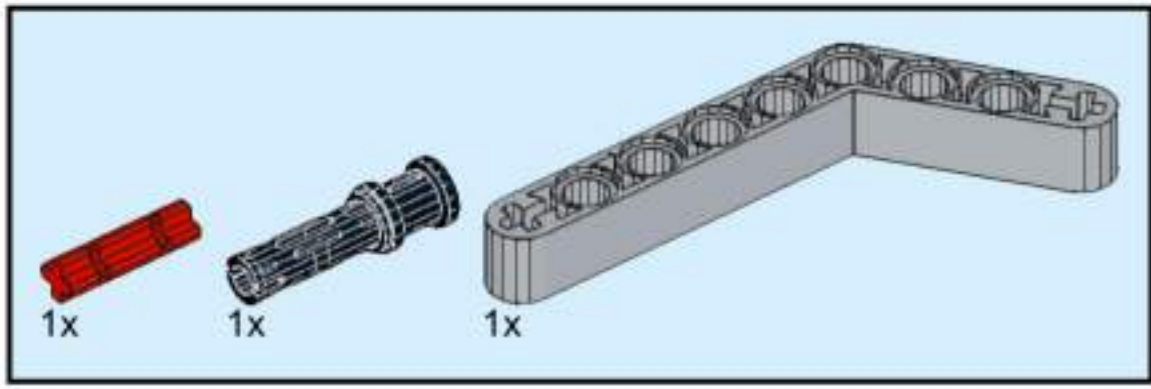
*We also recommend o have a bottle of superglue present, incase some parts are too fragile. It is not sure you will need it, but one particular step includes a piece that have some variations in the molding, resulting in some pieces fitting nice, and some don't. You will find out more when this step occurs.*

*Pro tip:*

*Sort the pieces losely before start to have a smoother building experince and to get familiar with the pieces in the kit.*



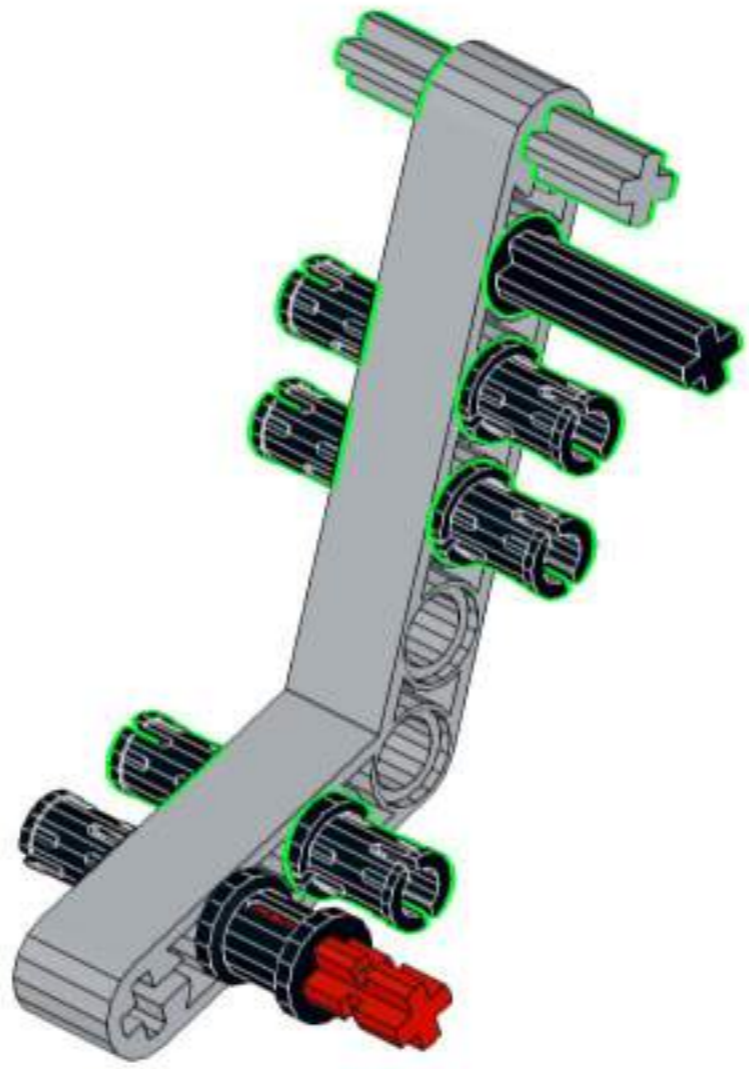
1



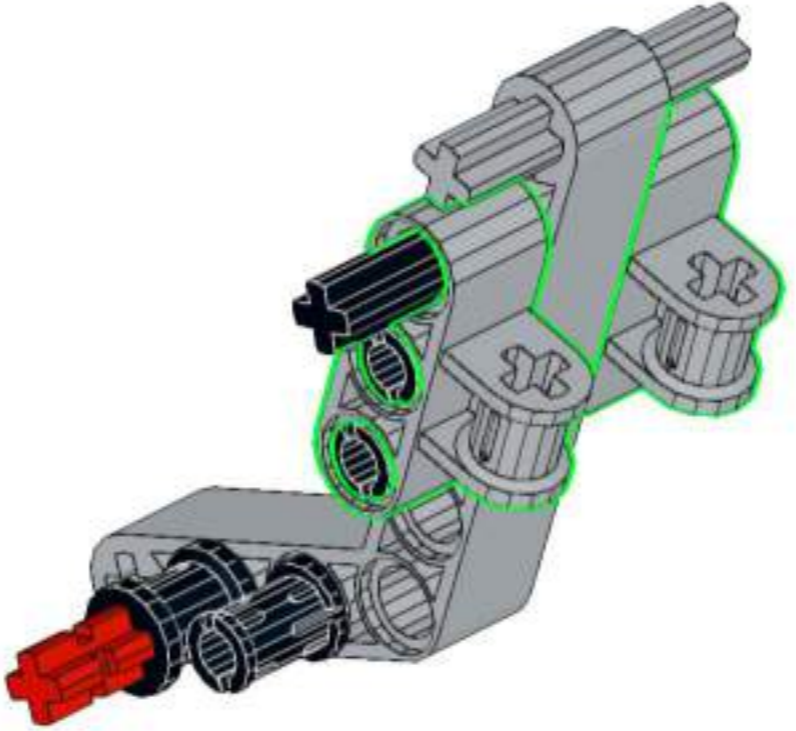
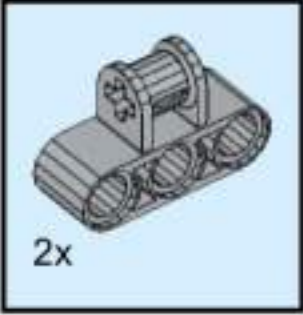
2



24 mm ca

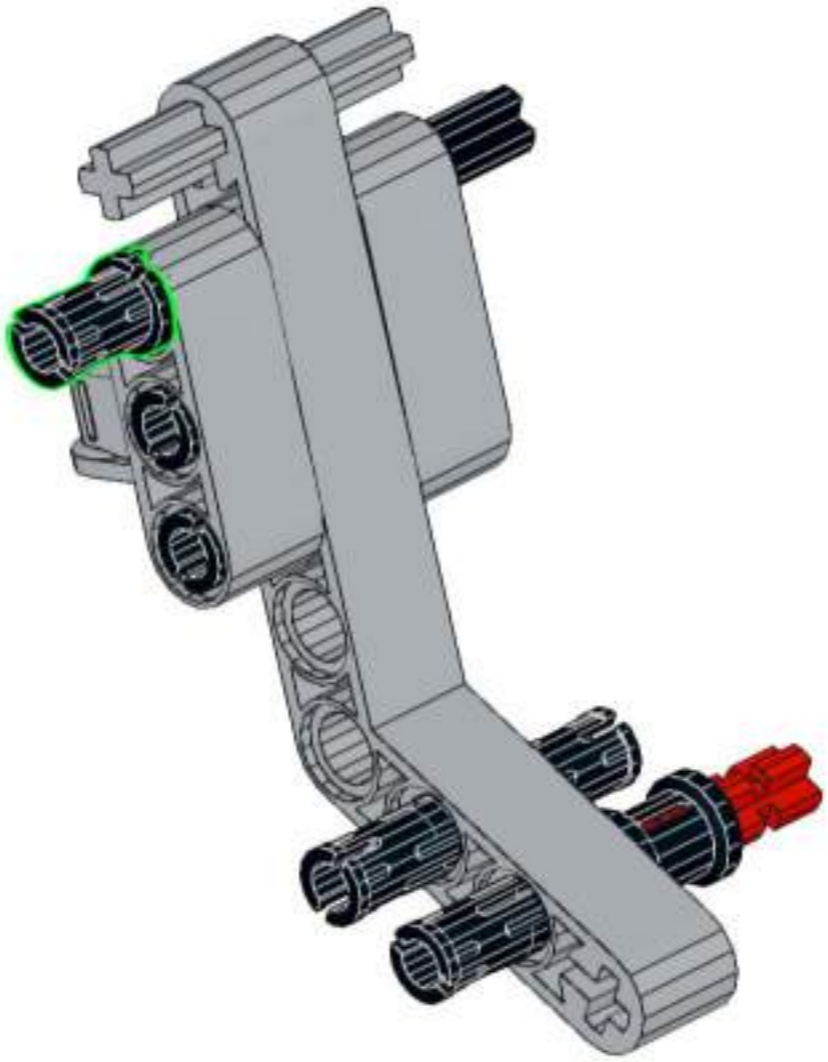


3

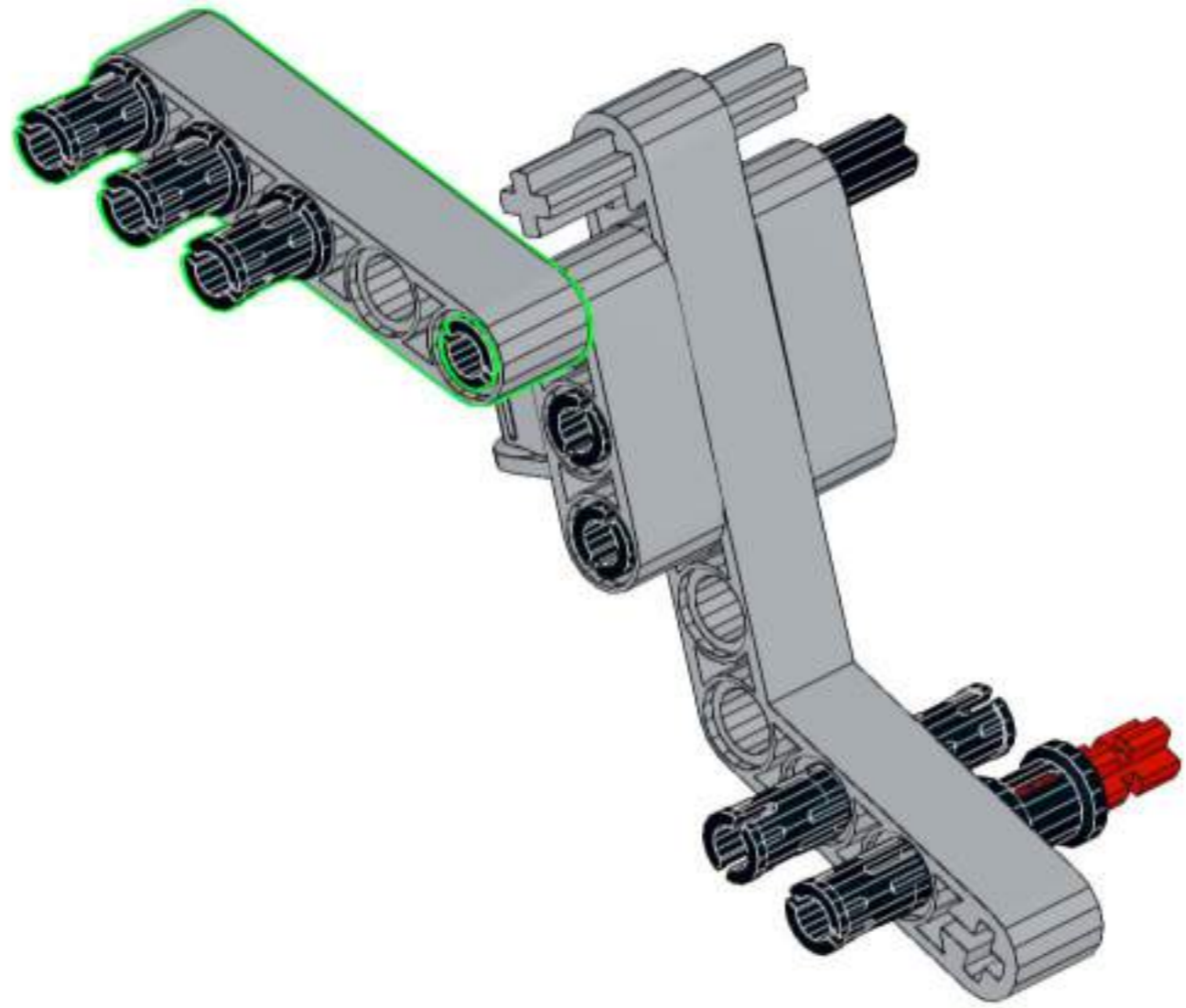
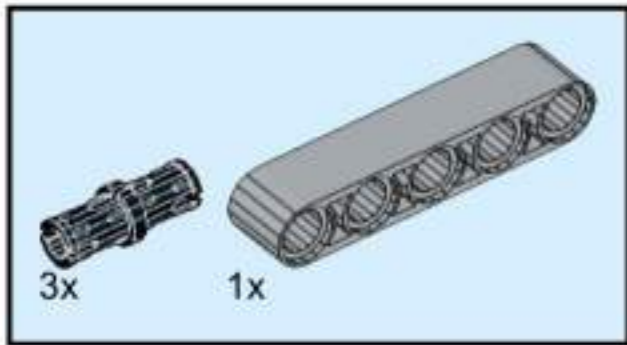




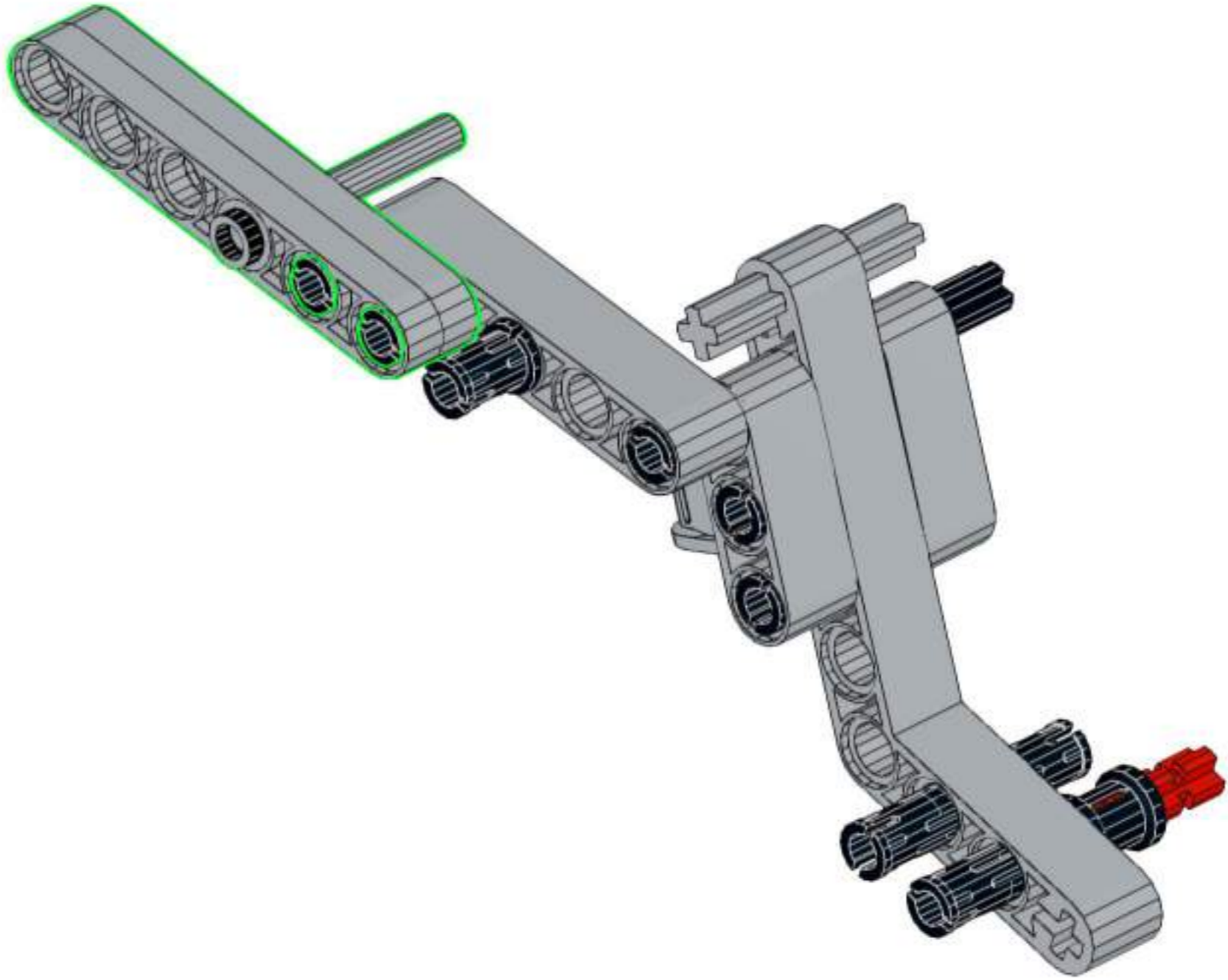
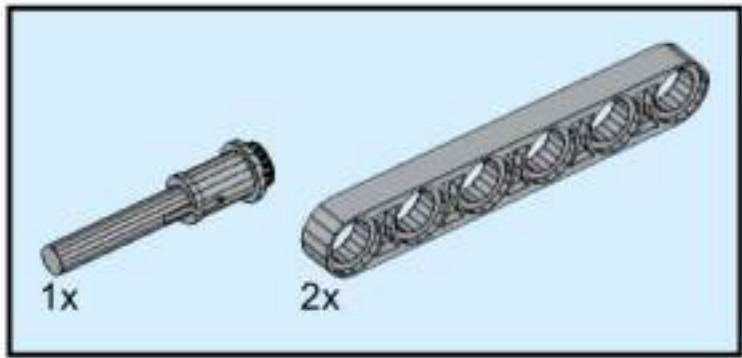
4



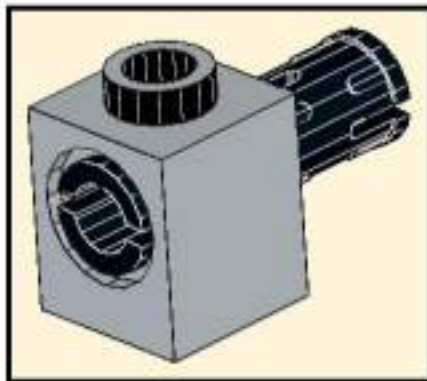
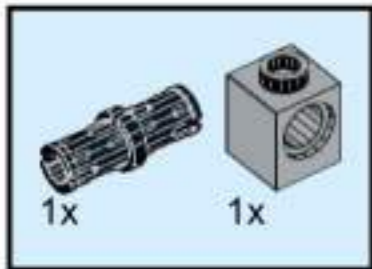
5



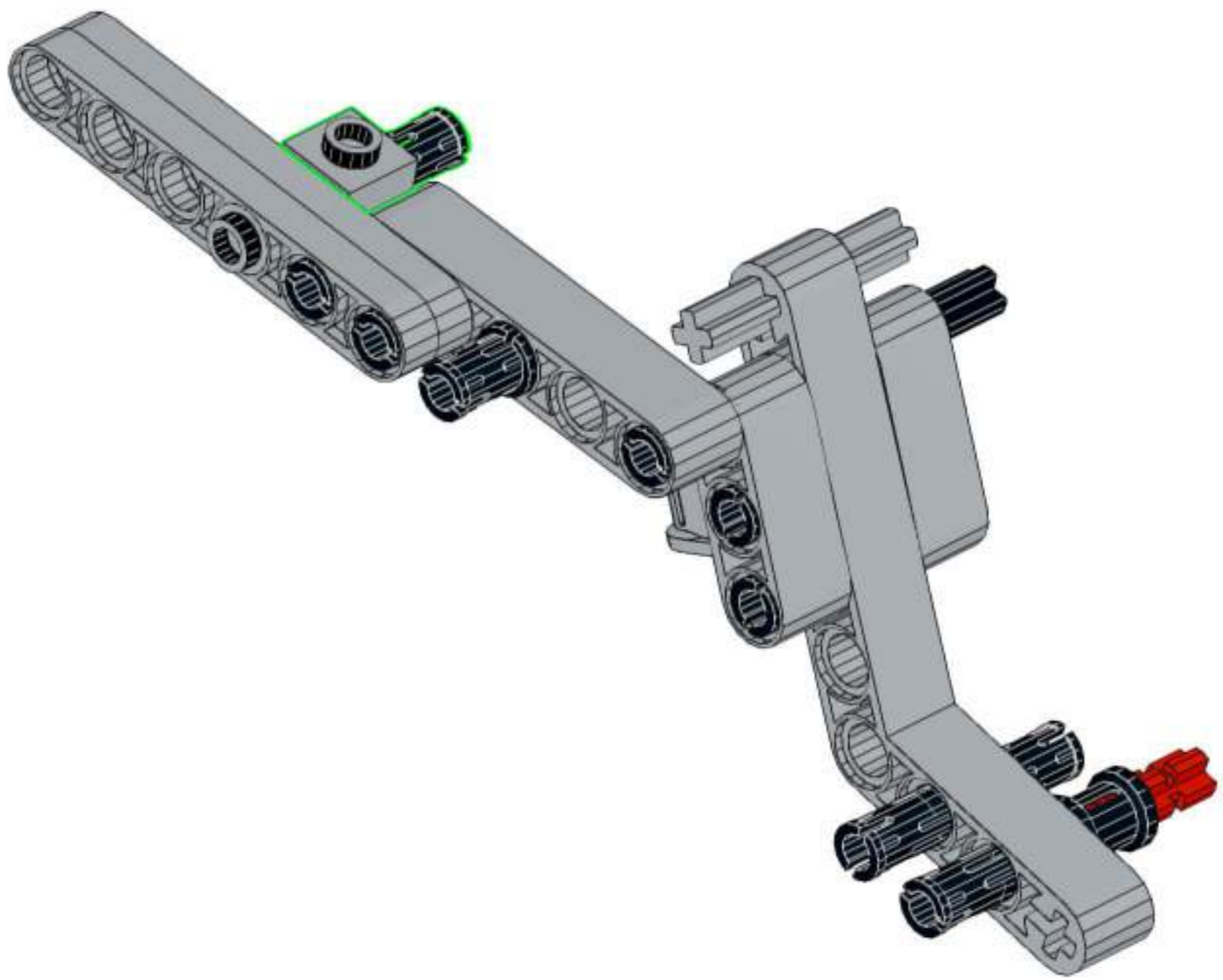
6



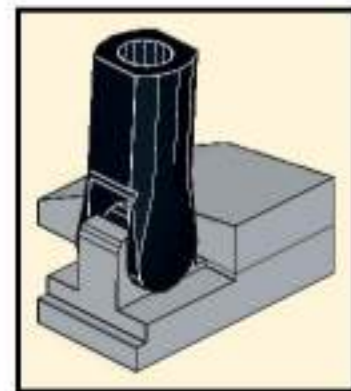
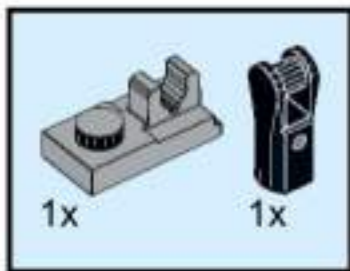
7



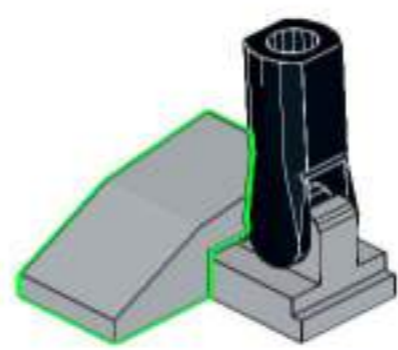
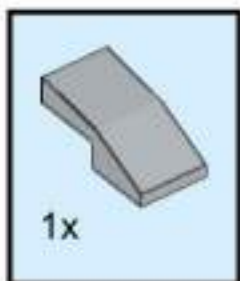




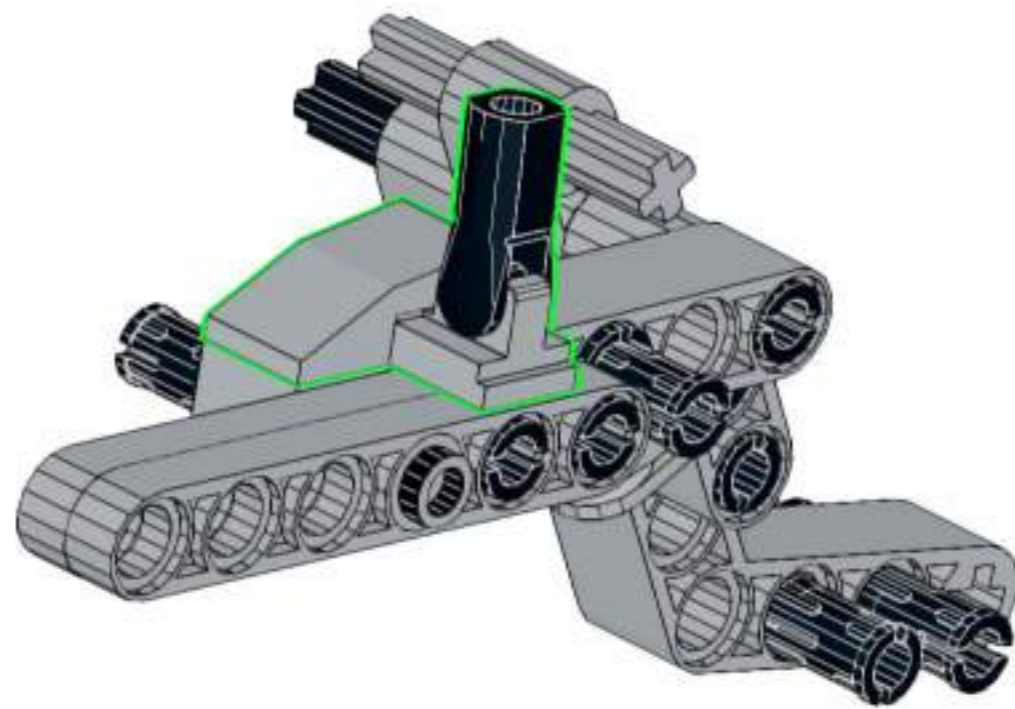
9



10

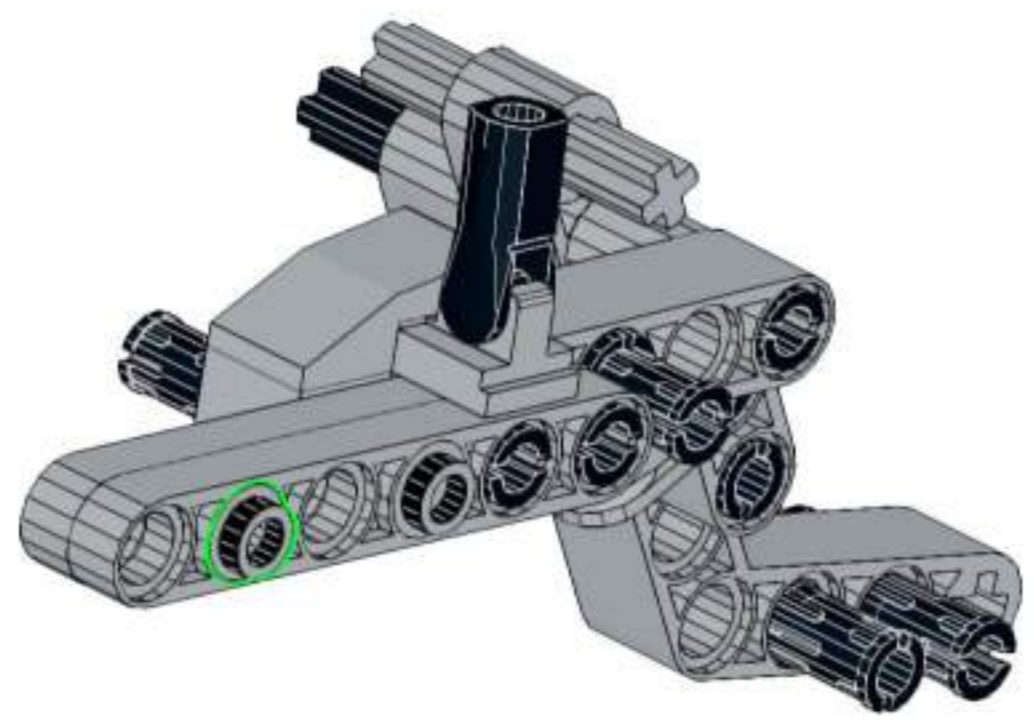


11

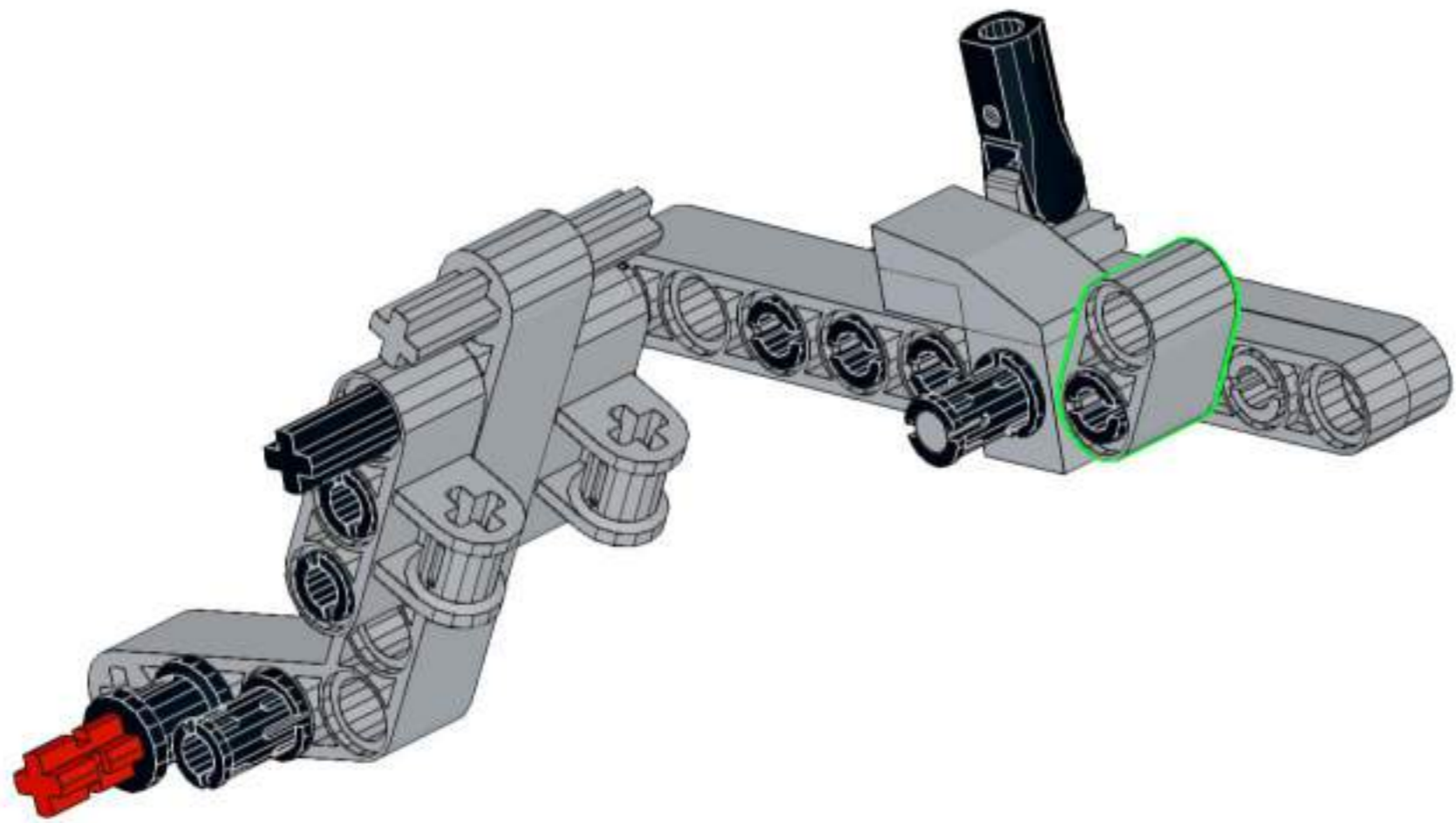
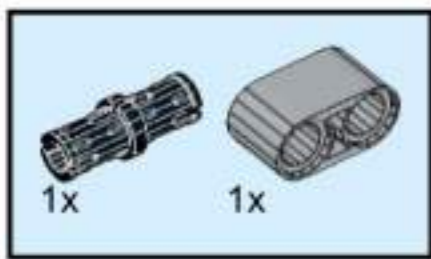




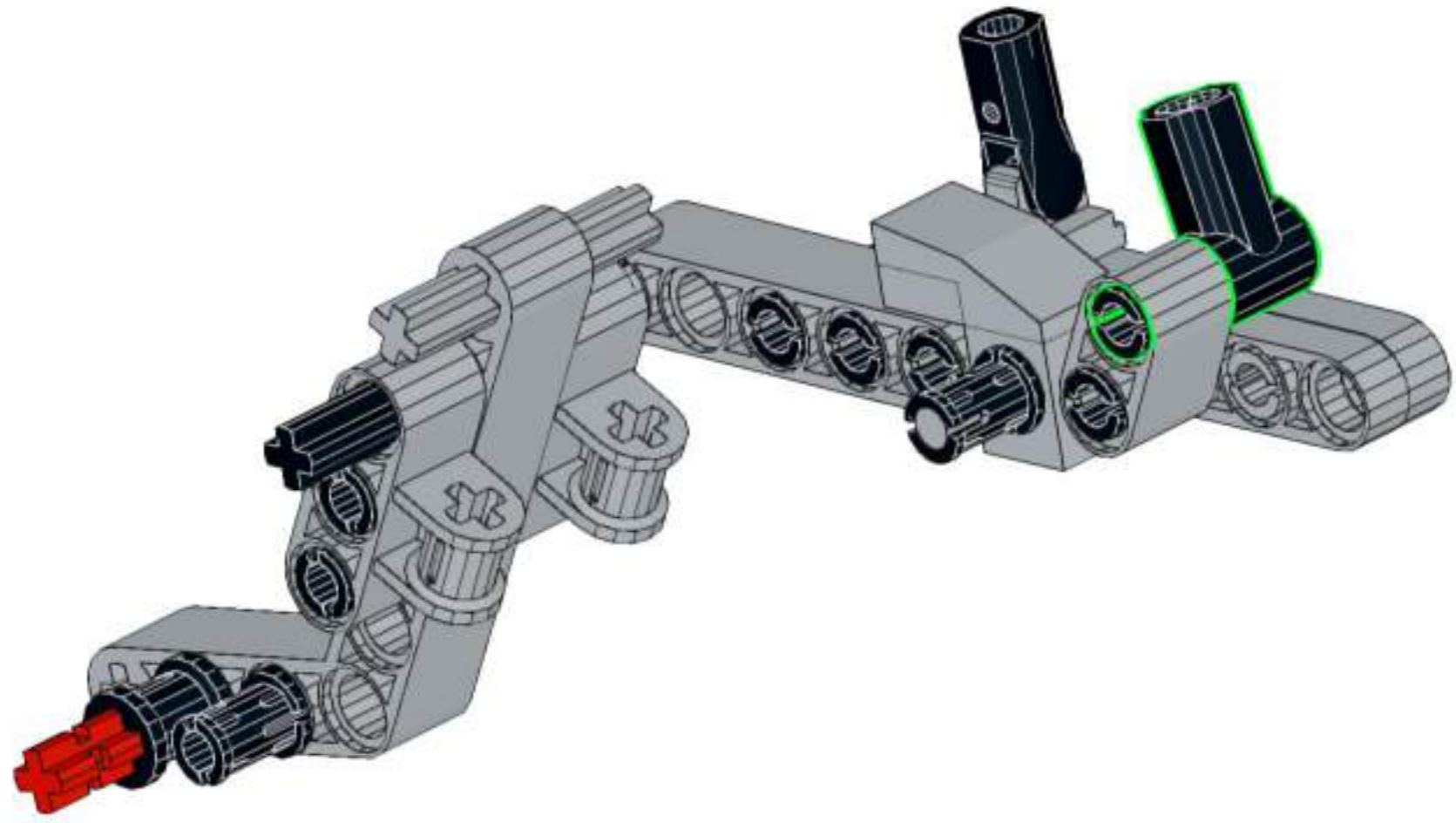
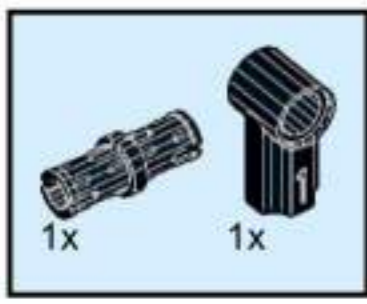
12



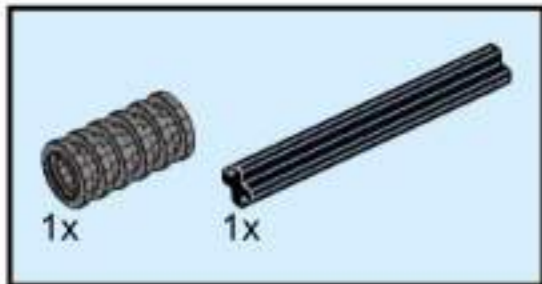
13



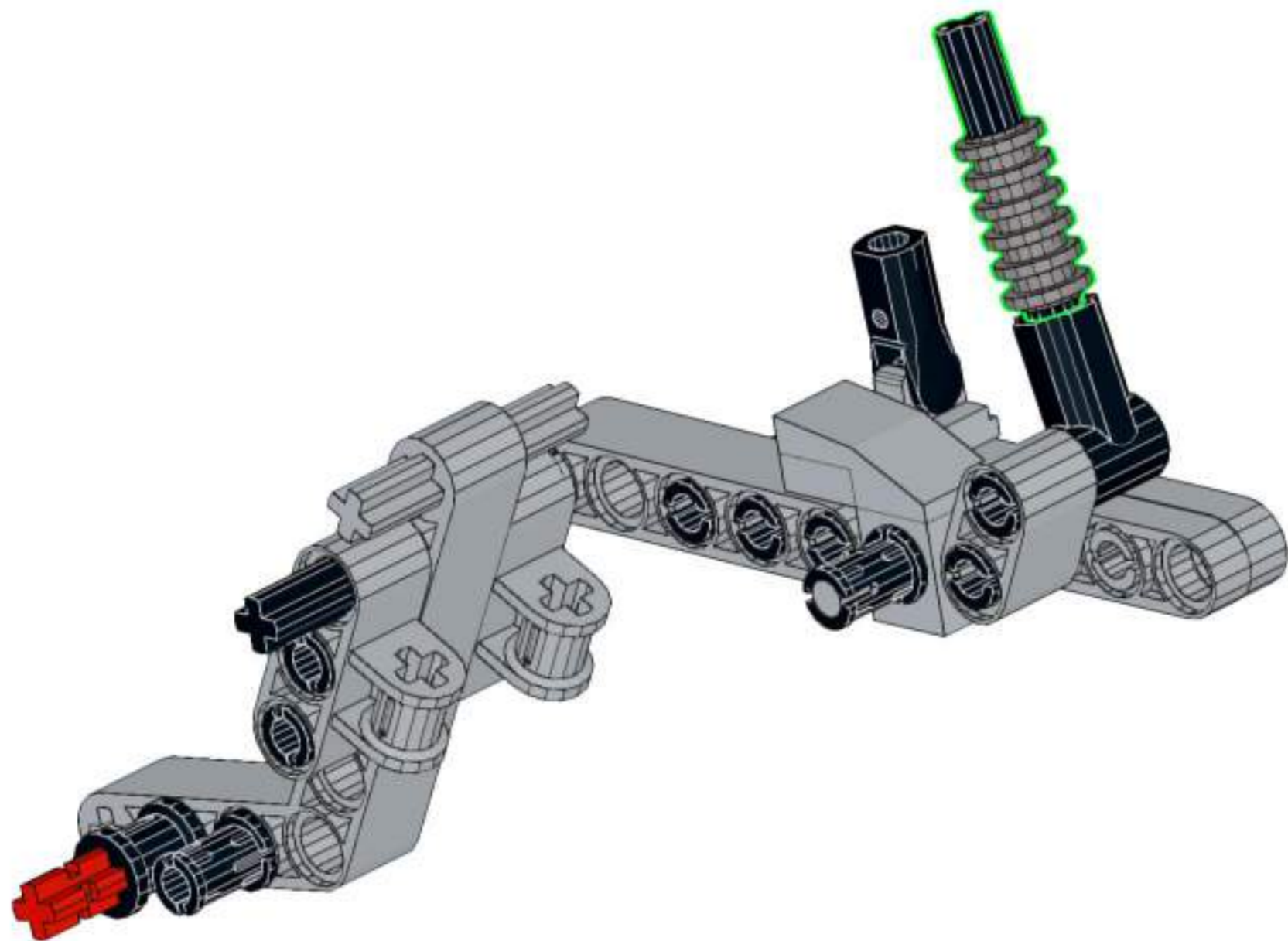
14



# 15

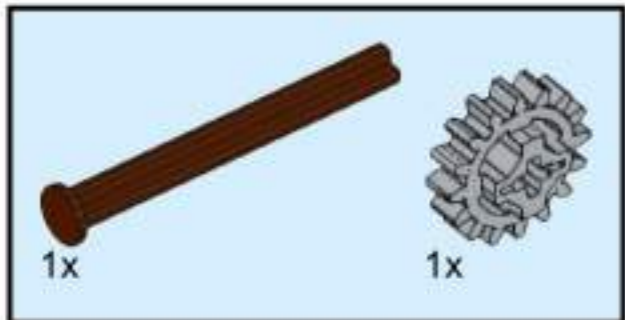


32 mm ca

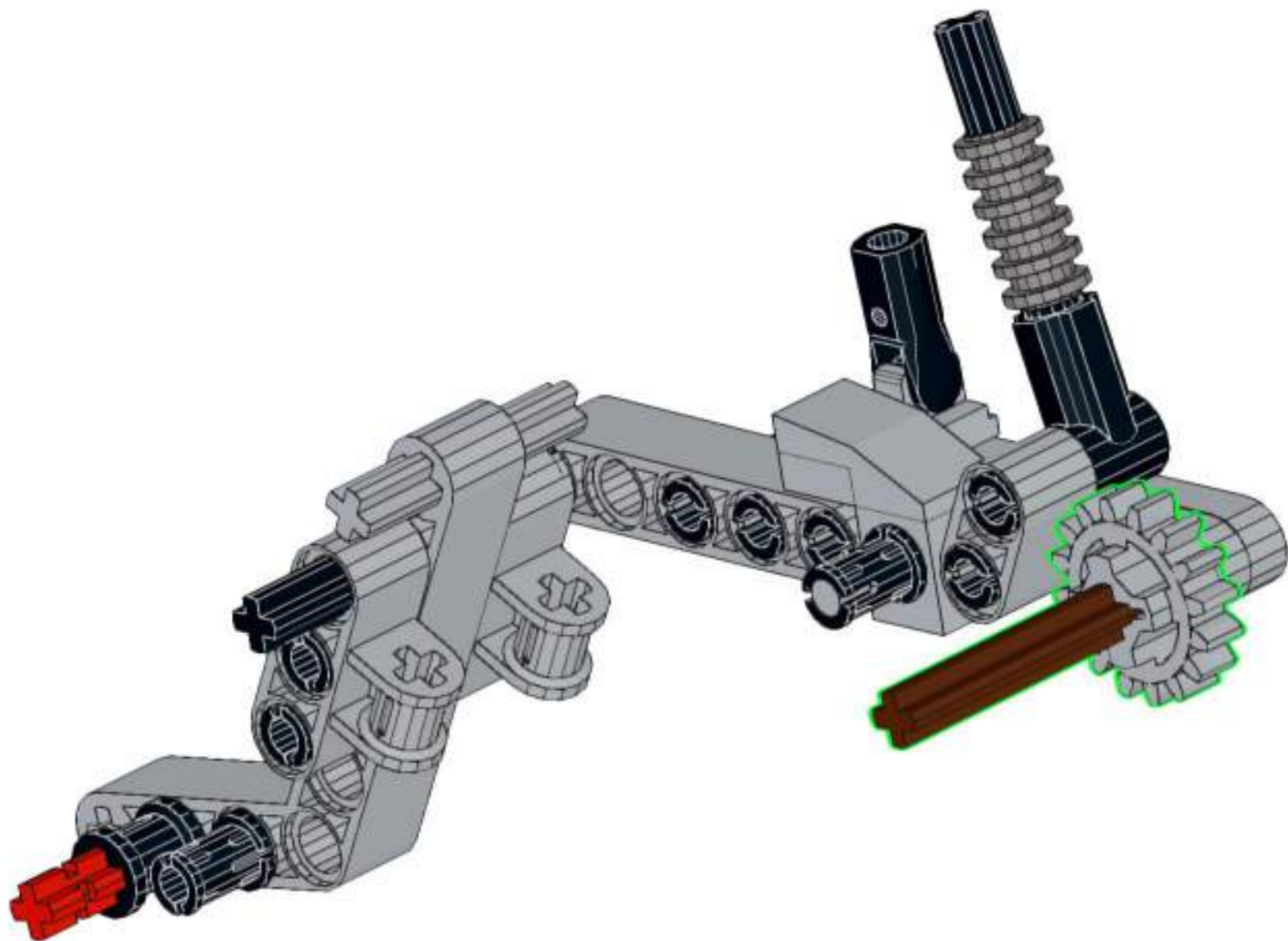




# 16



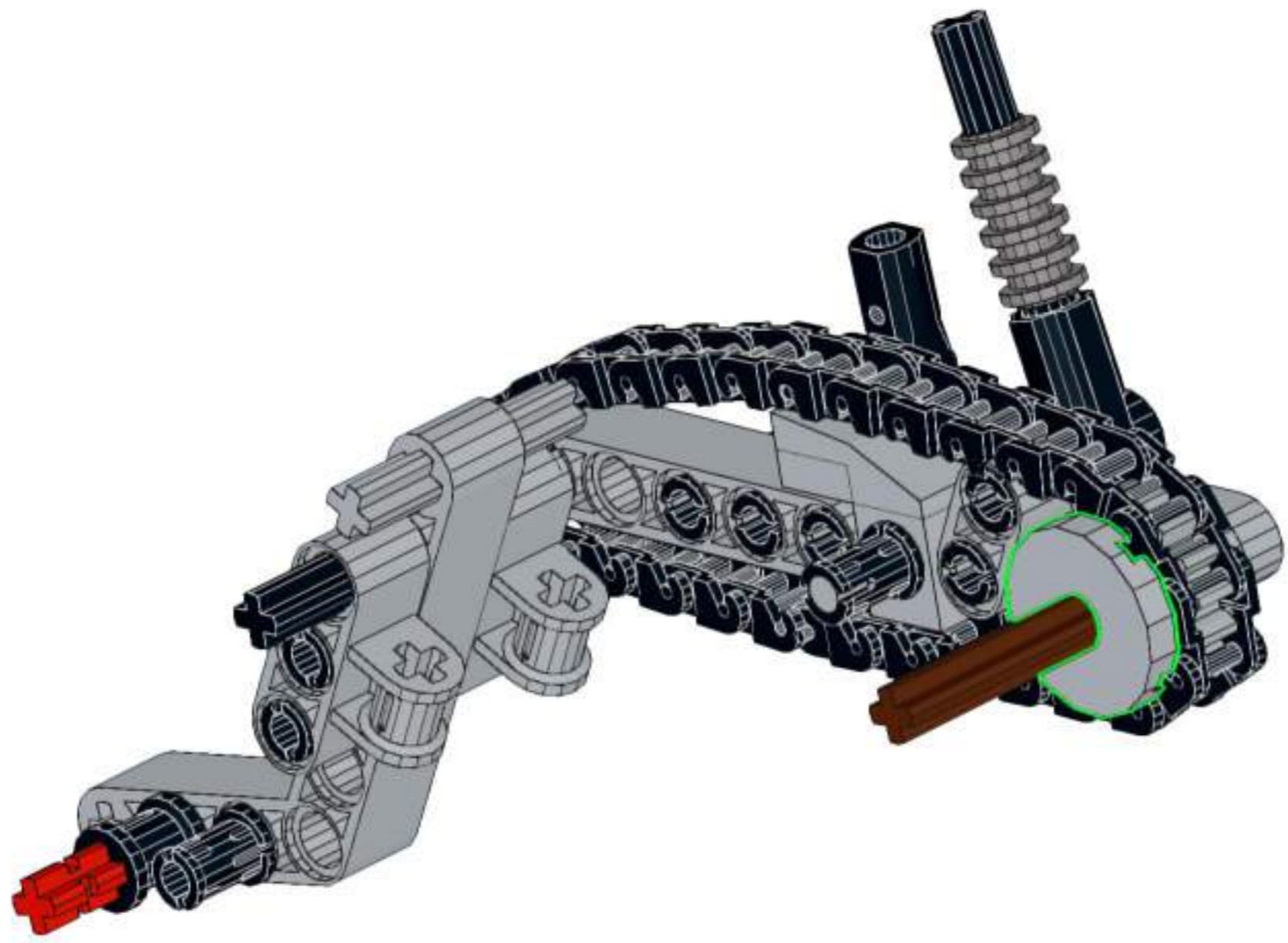
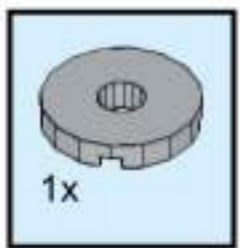
40 mm ca



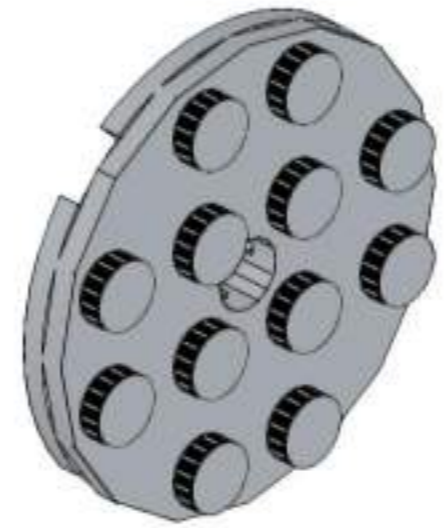
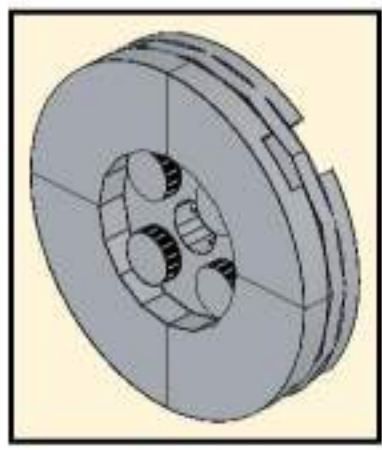
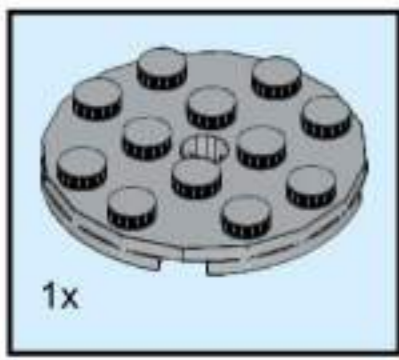
17



18

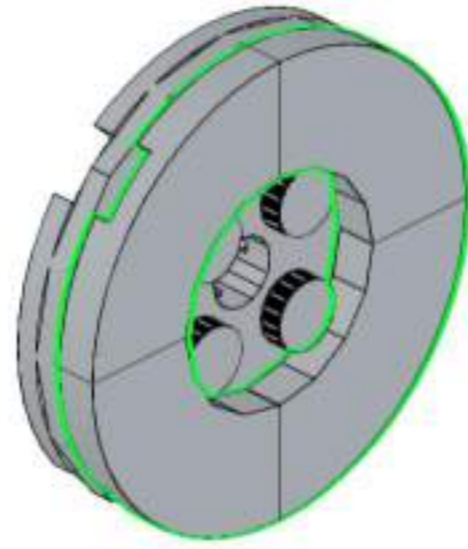
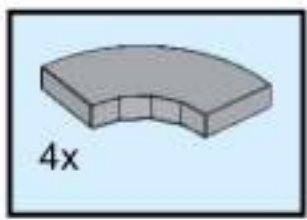


19

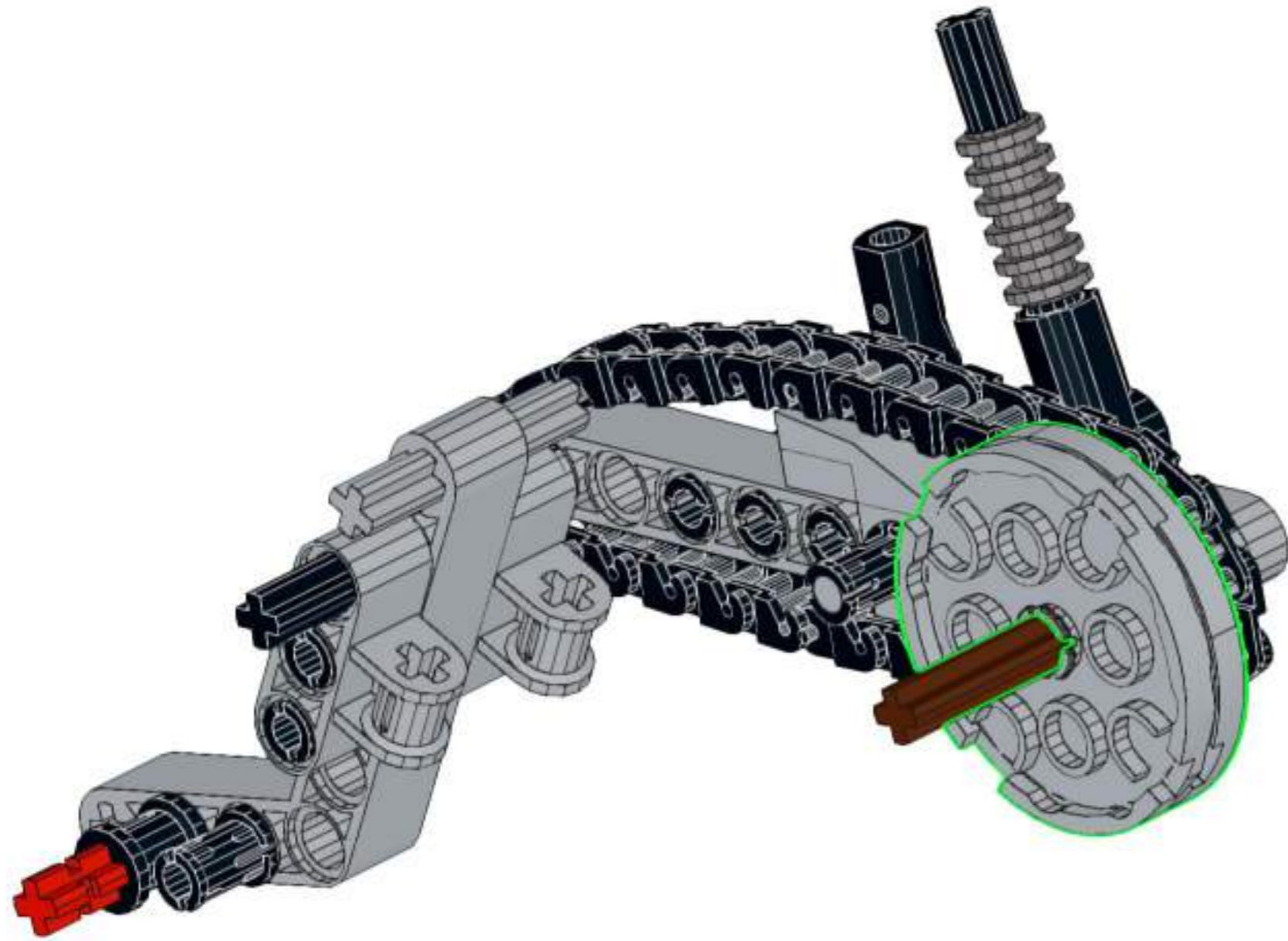




20



21

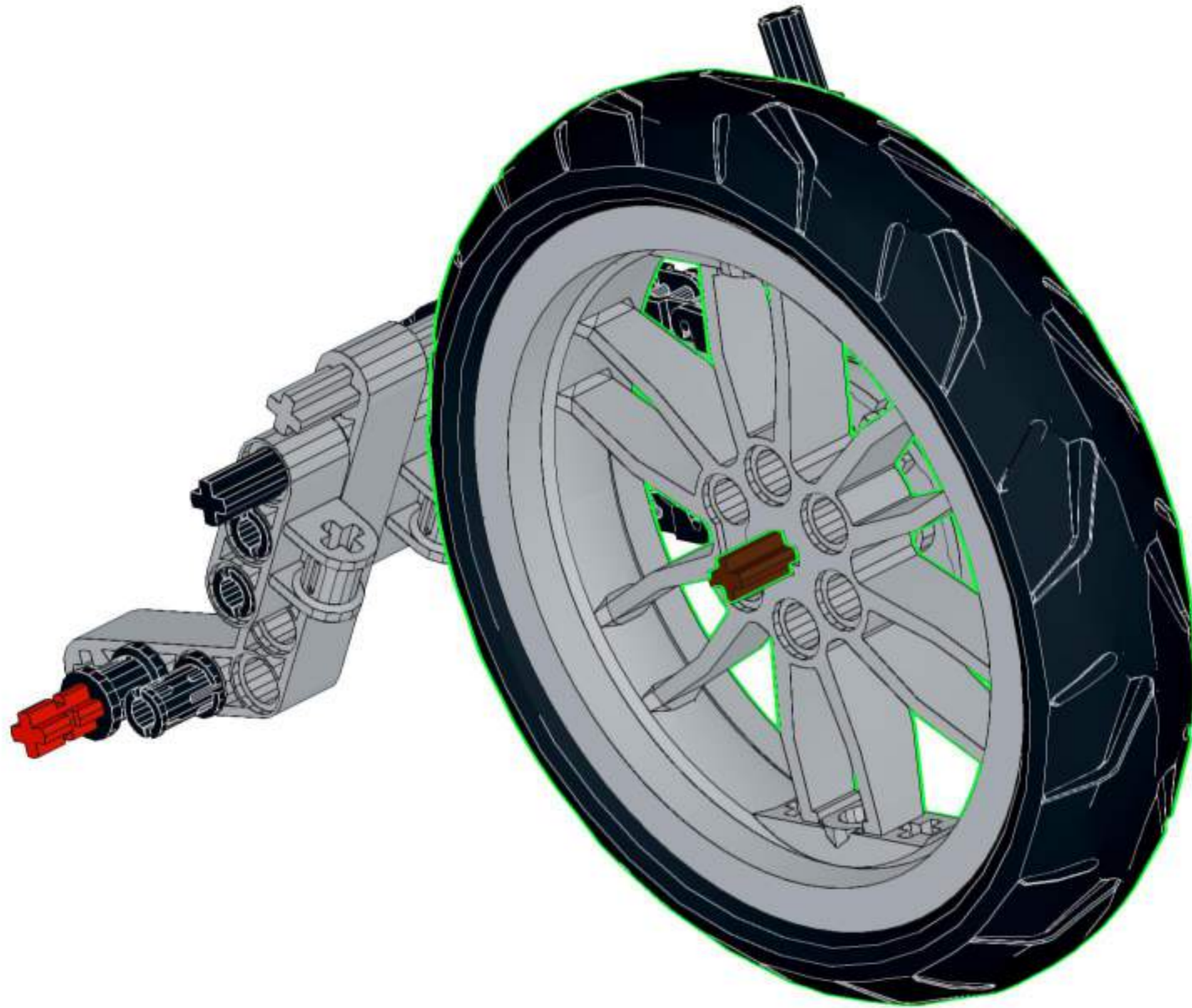


22

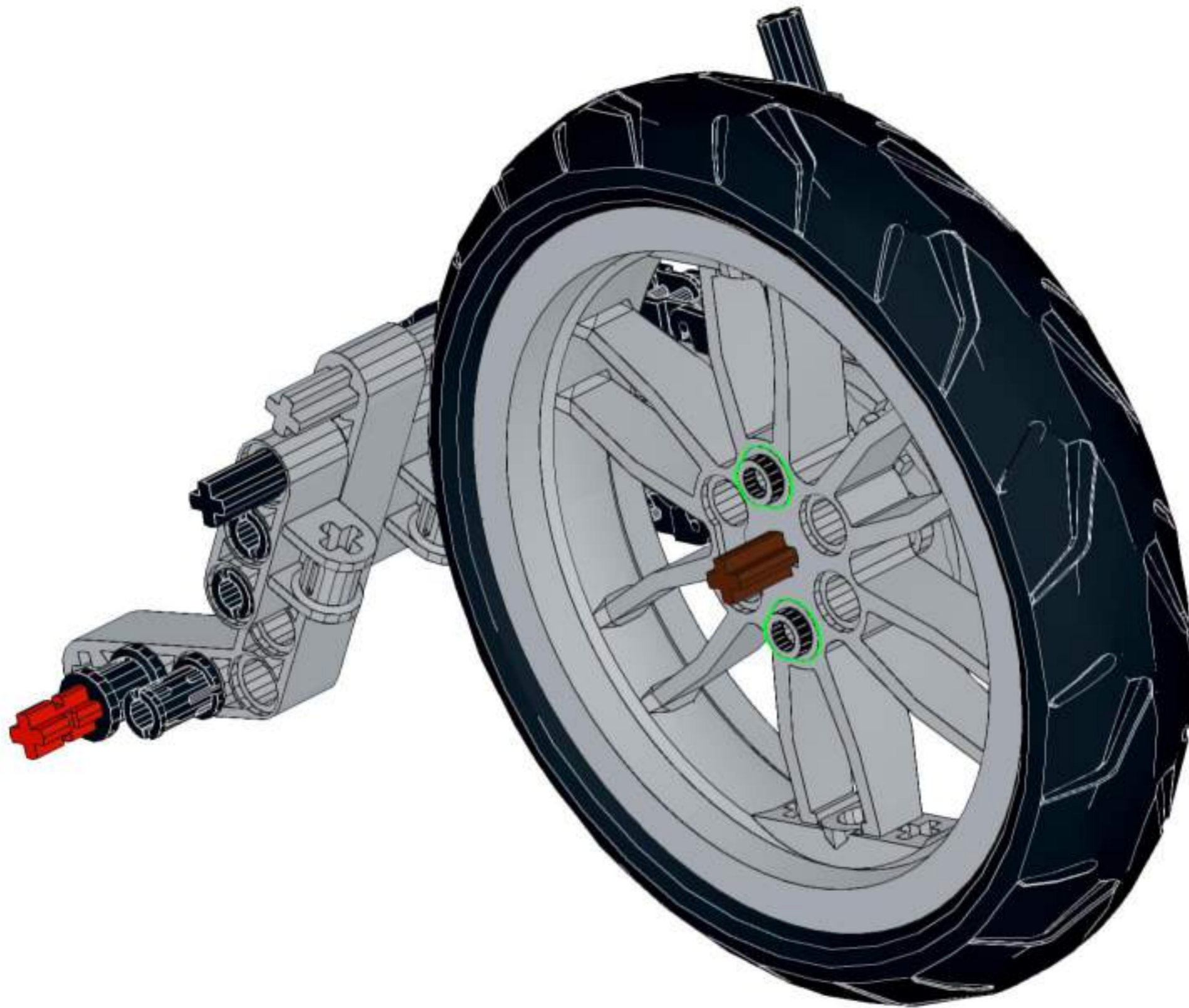




23

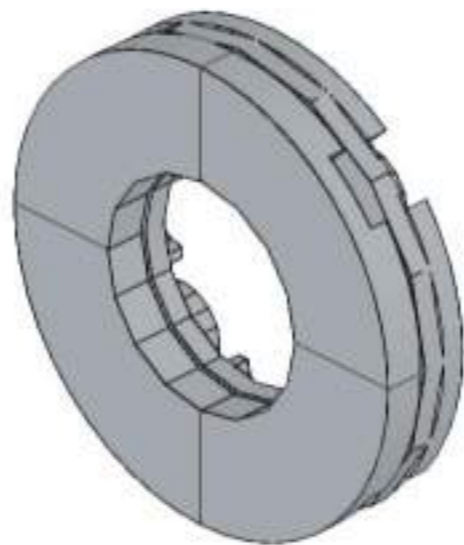
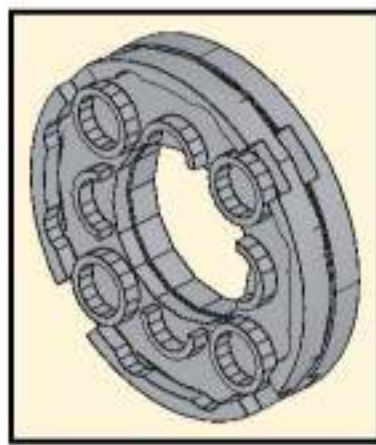
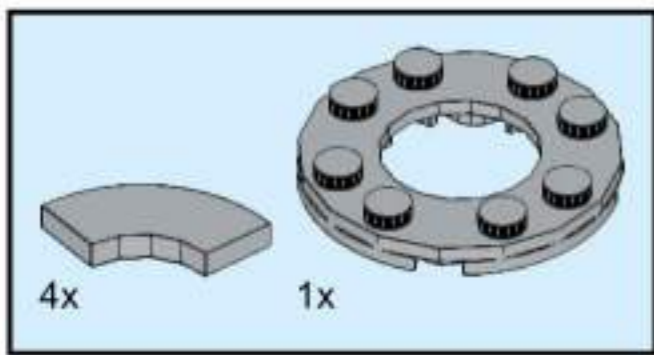


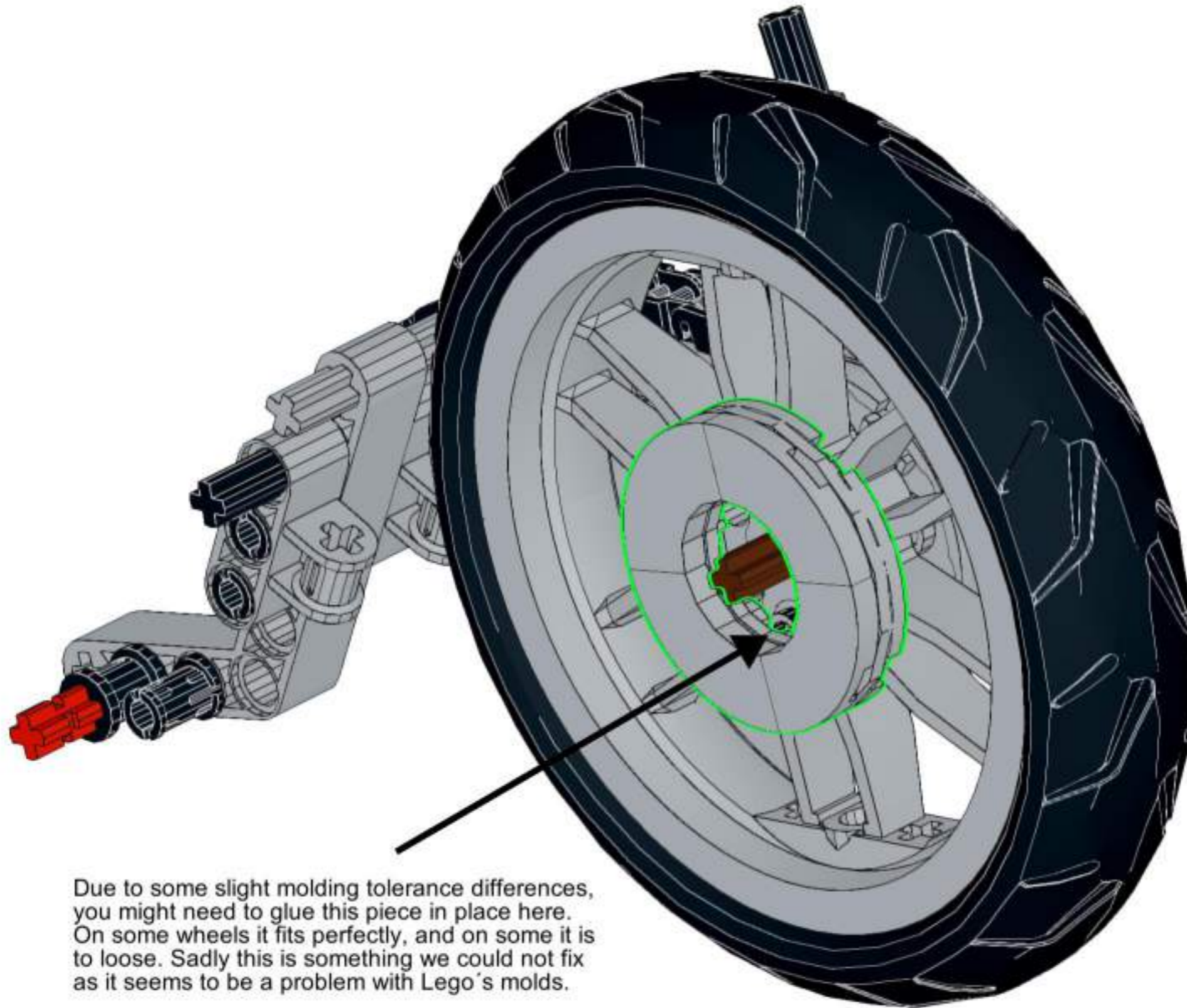
24





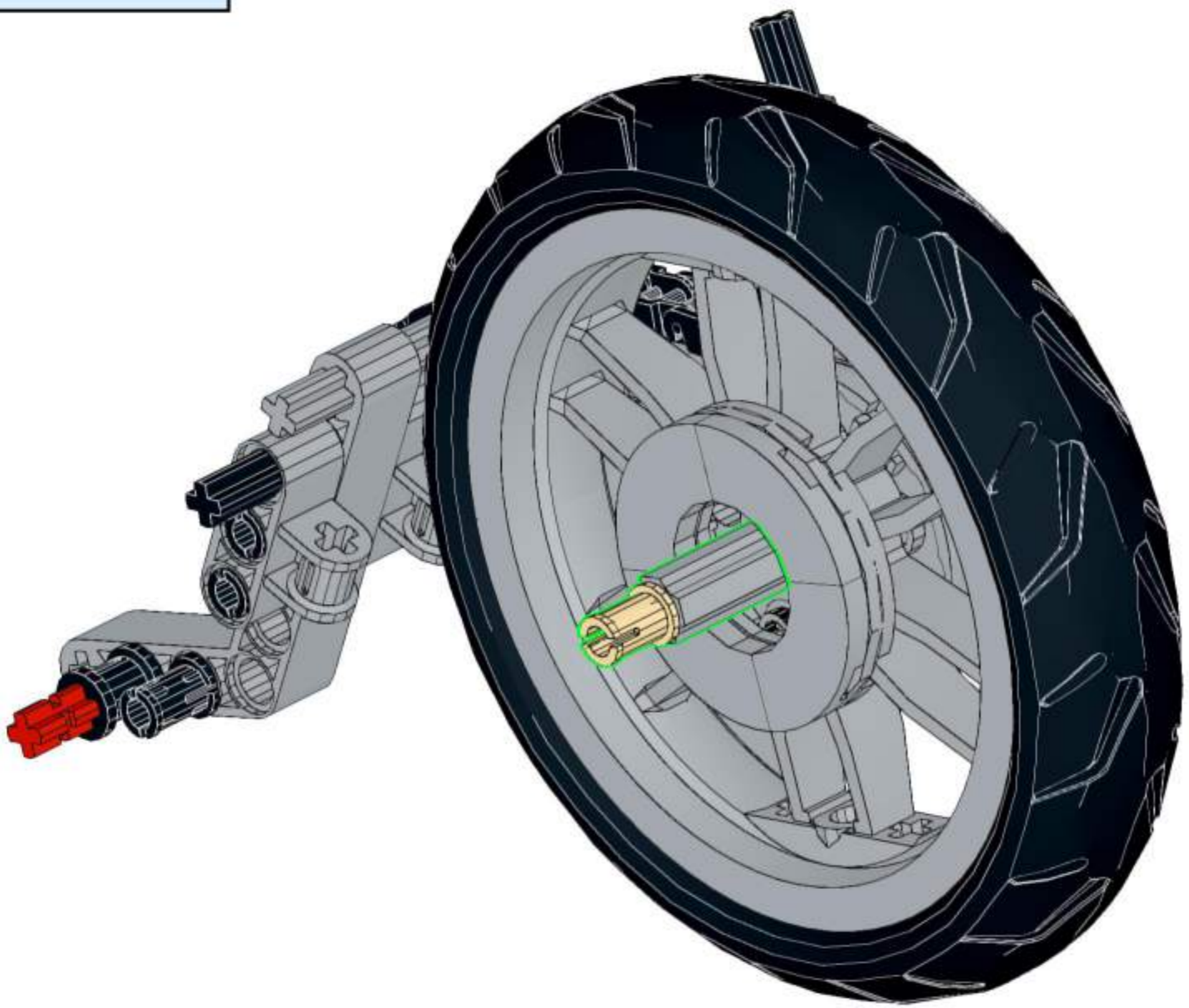
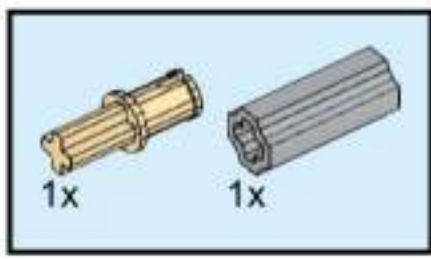
25





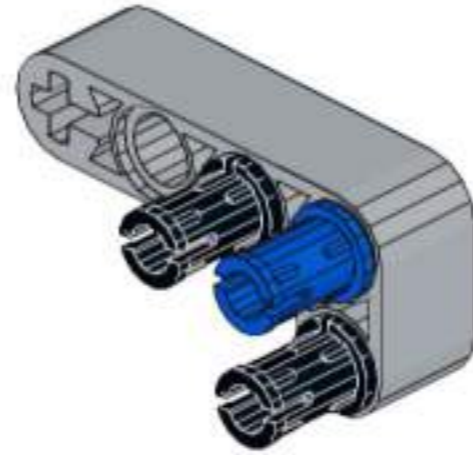
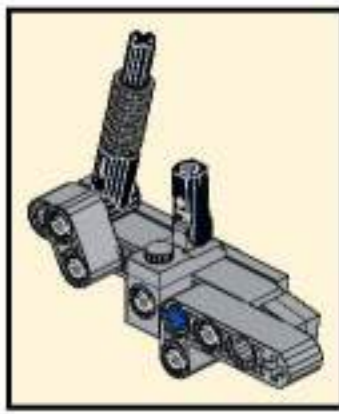
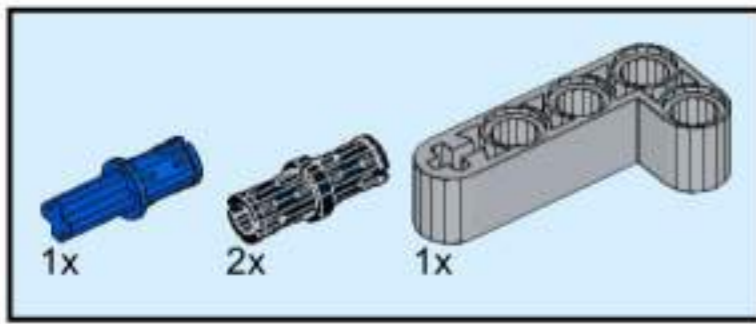
Due to some slight molding tolerance differences, you might need to glue this piece in place here. On some wheels it fits perfectly, and on some it is too loose. Sadly this is something we could not fix as it seems to be a problem with Lego's molds.

27

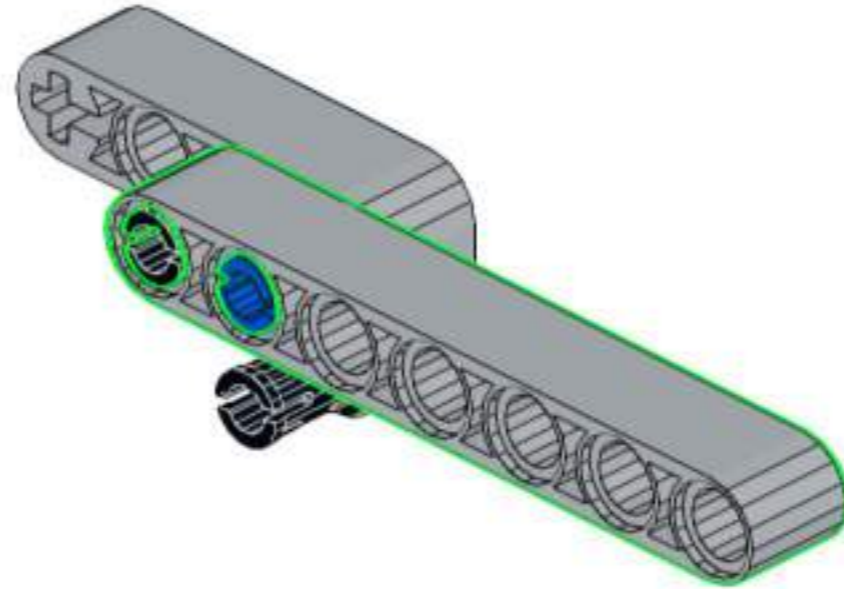
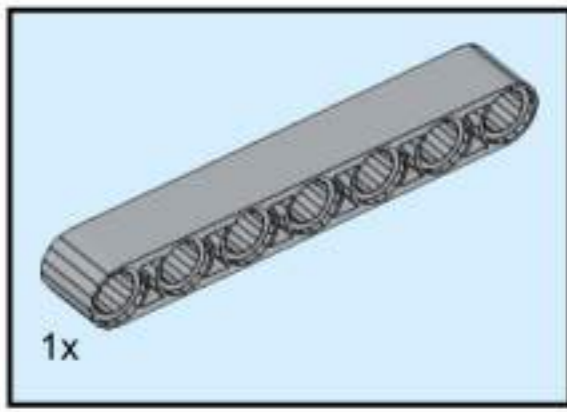




# 28

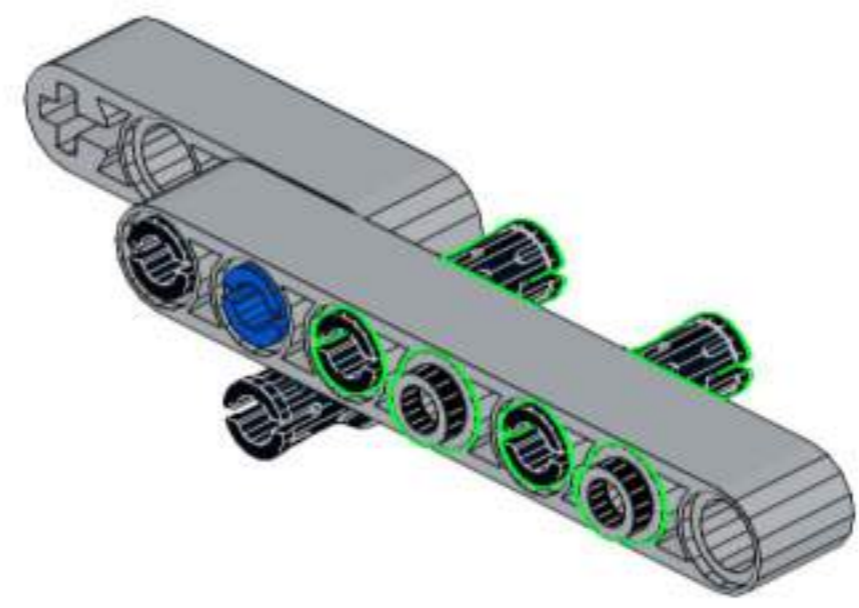
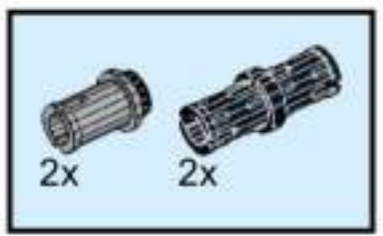


29

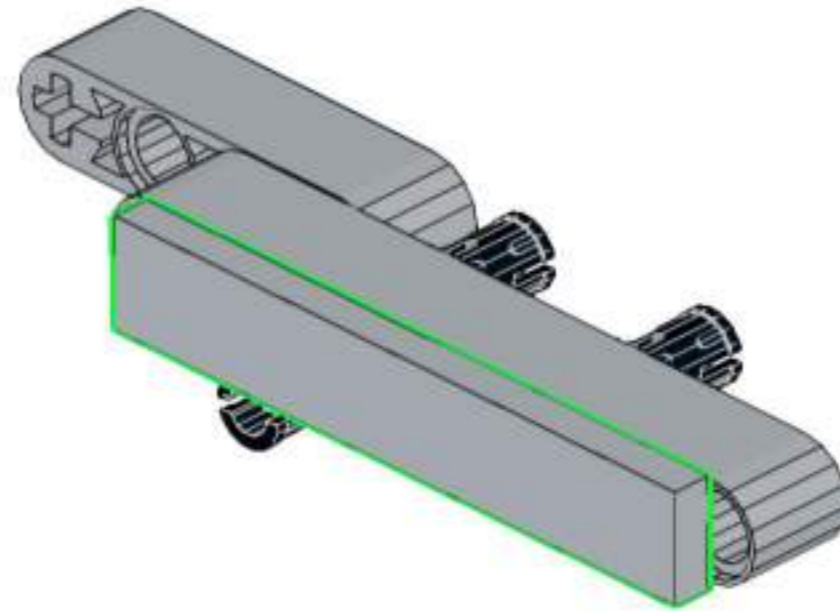
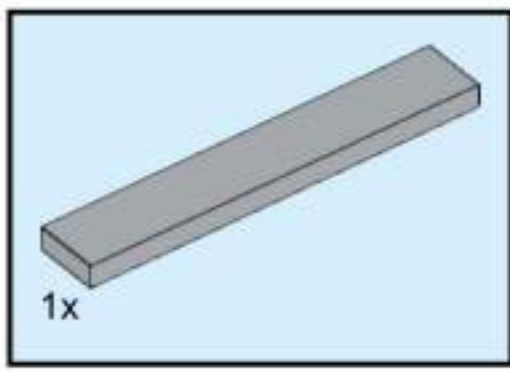




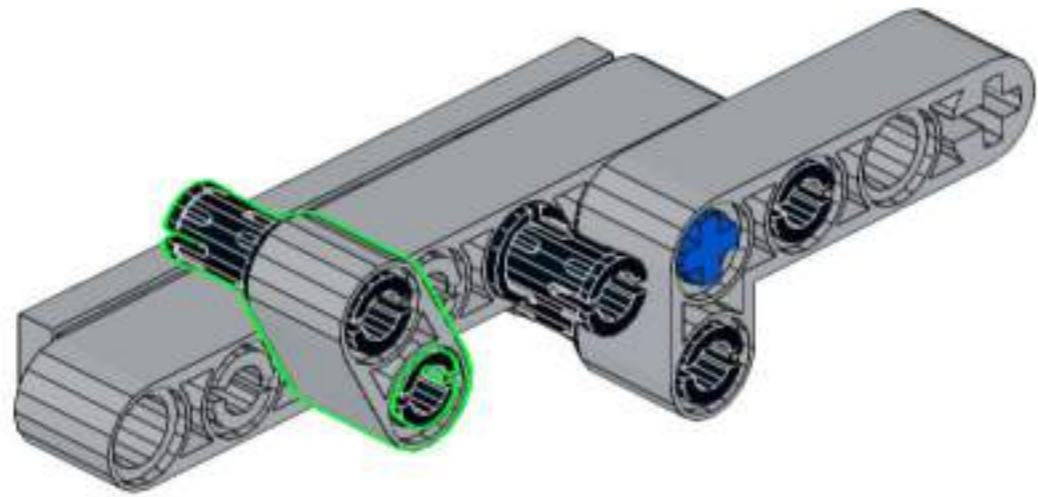
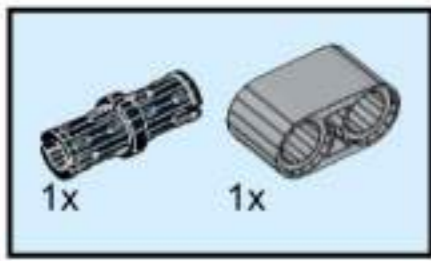
30



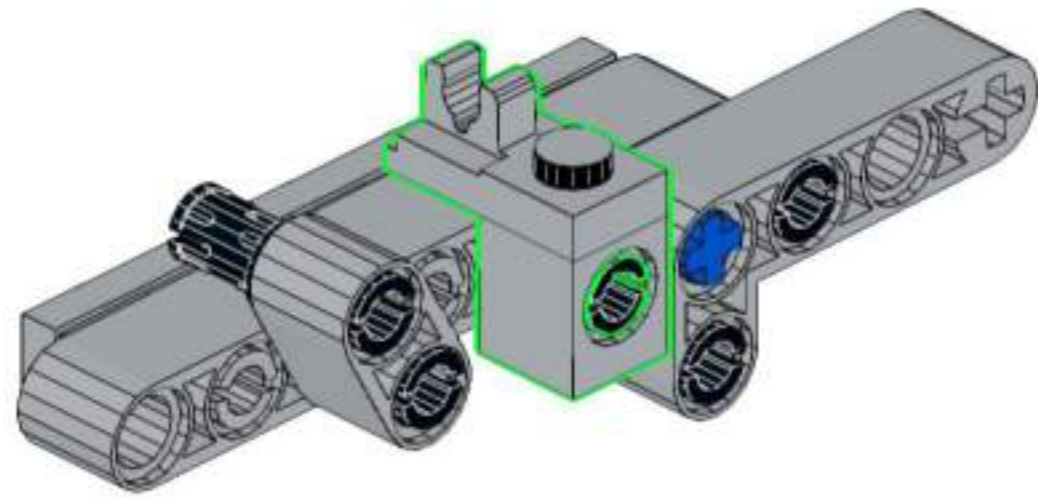
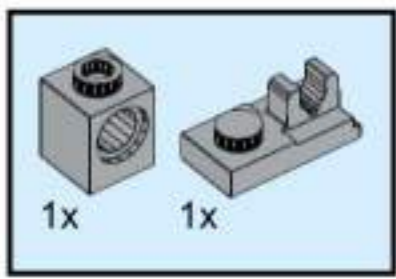
31



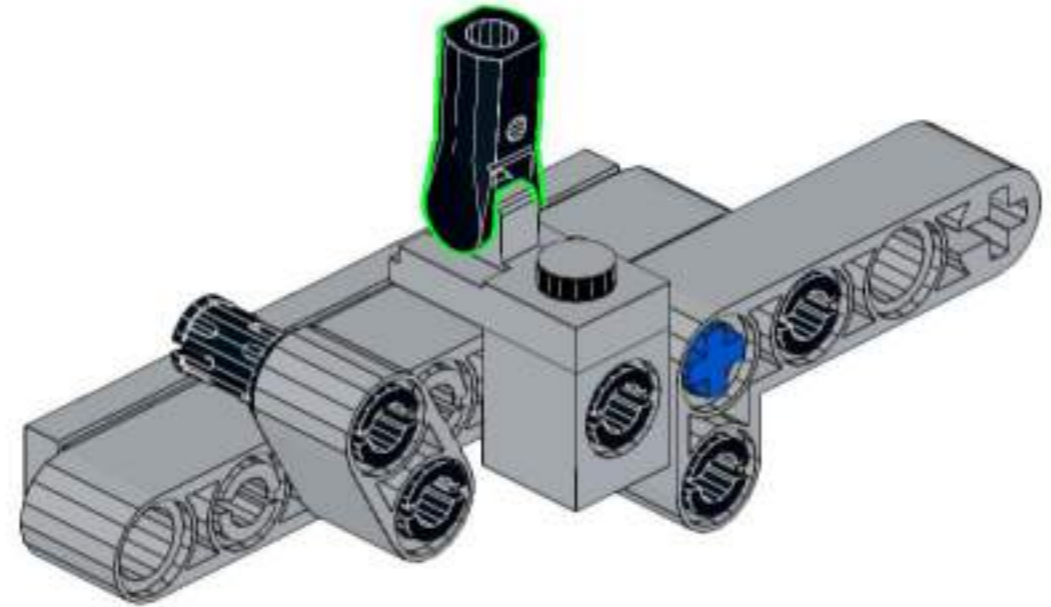
32



33

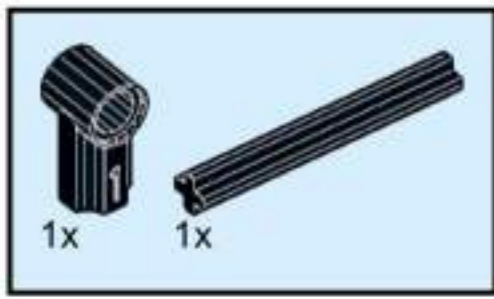


34

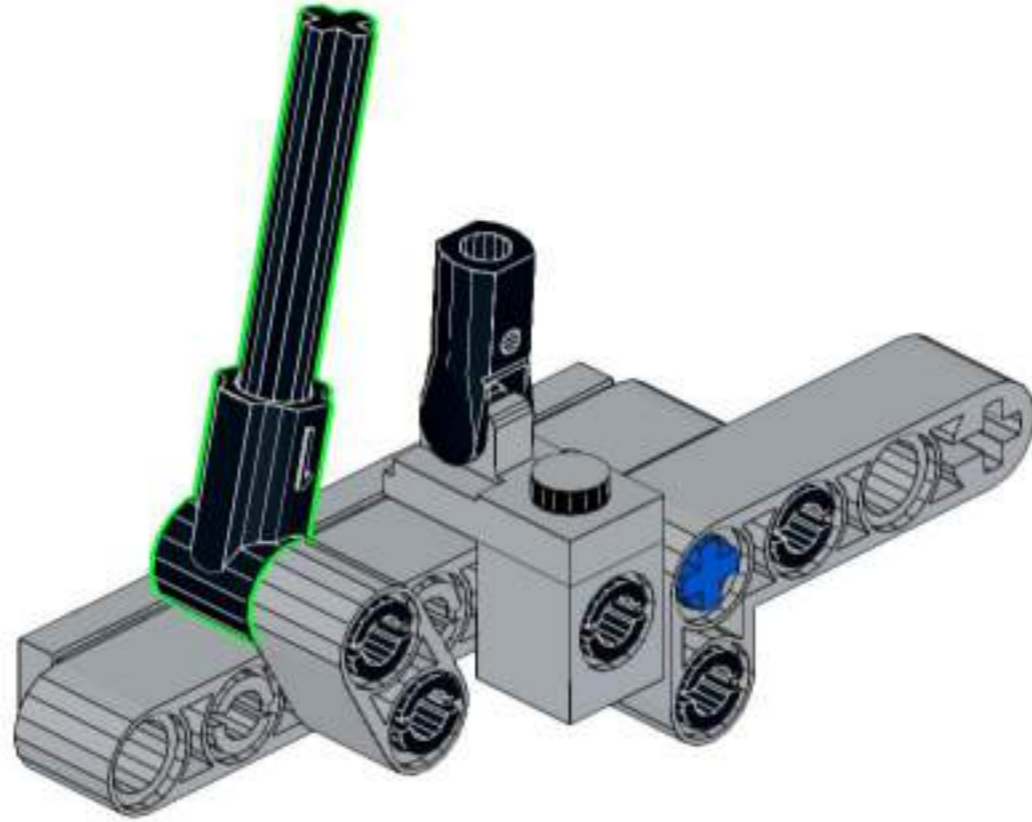




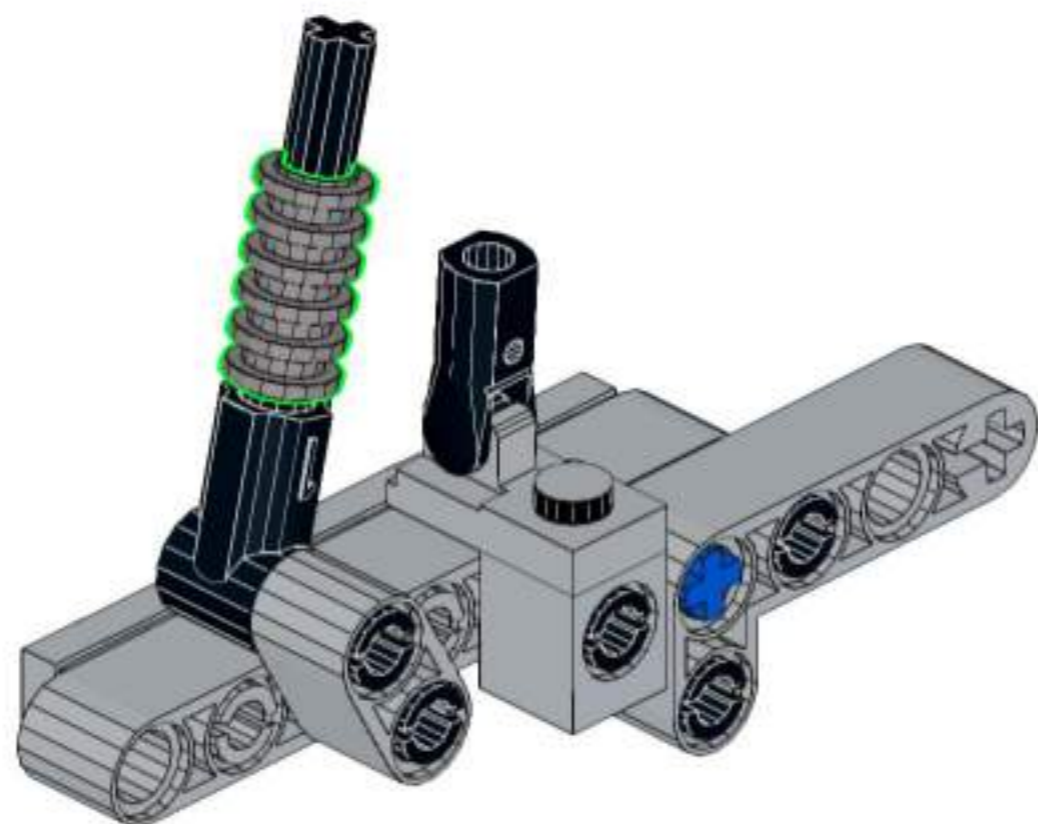
# 35



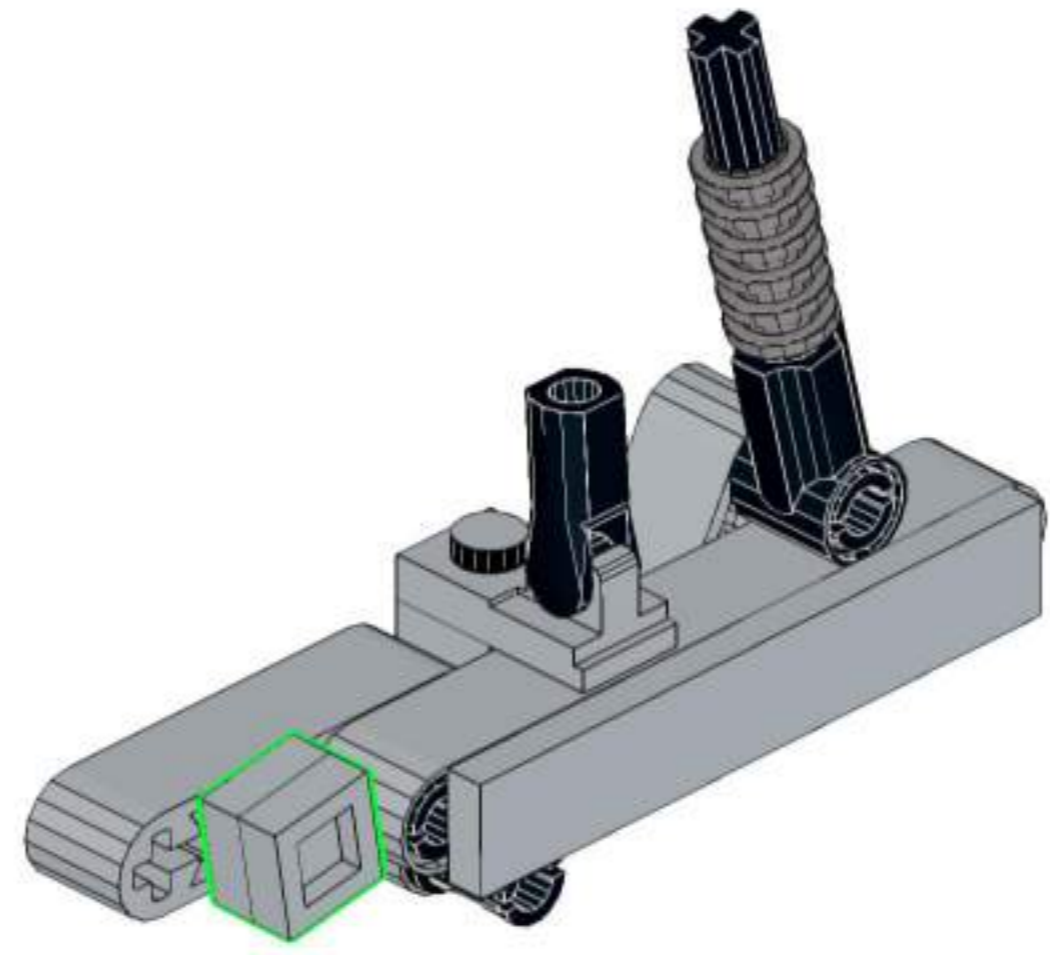
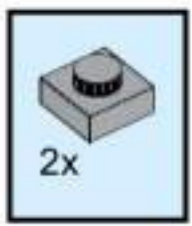
32 mm ca

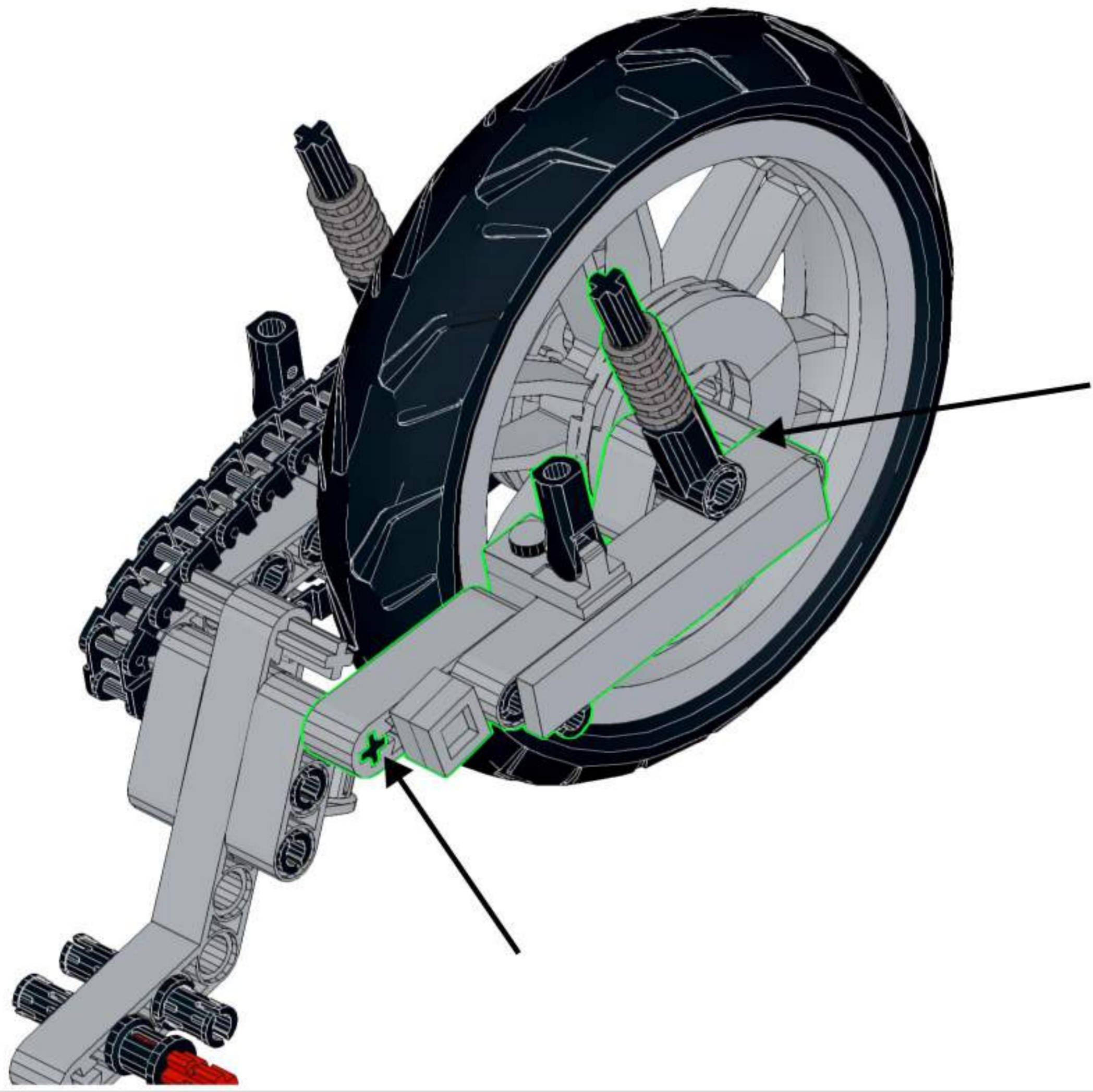


36



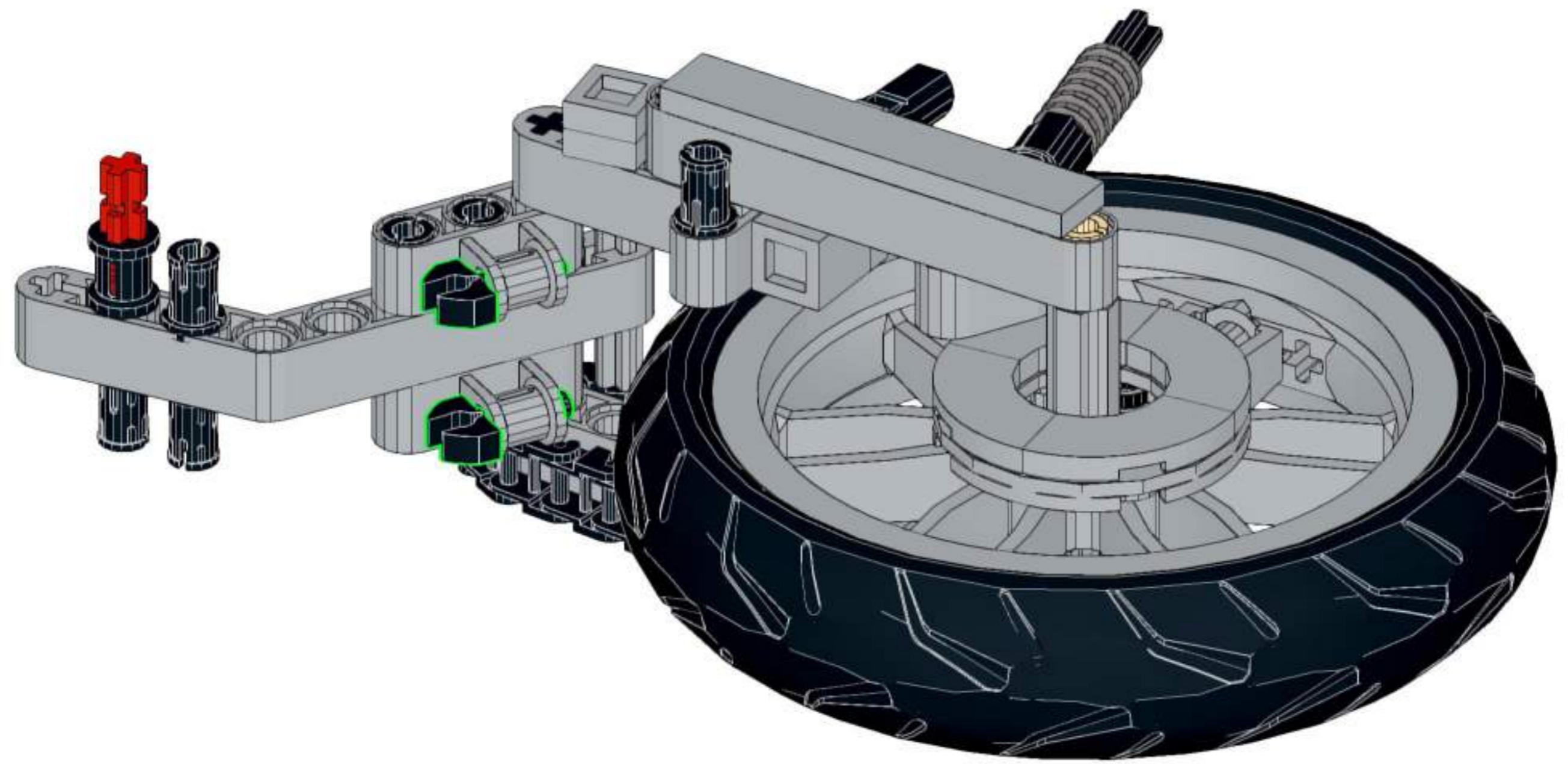
37





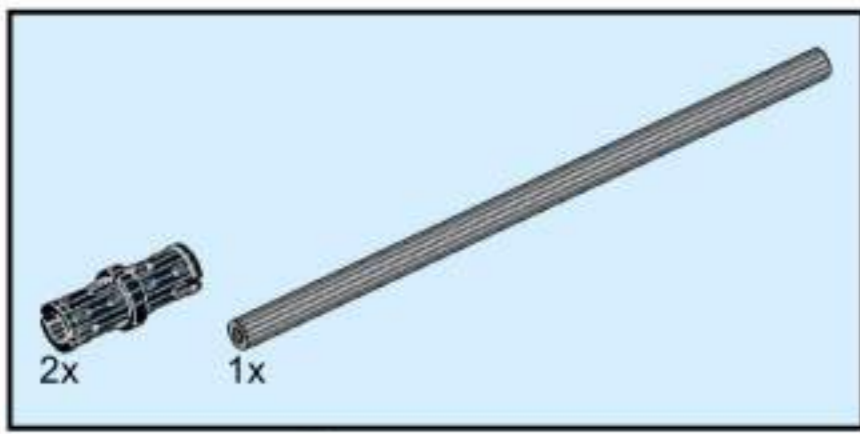


39

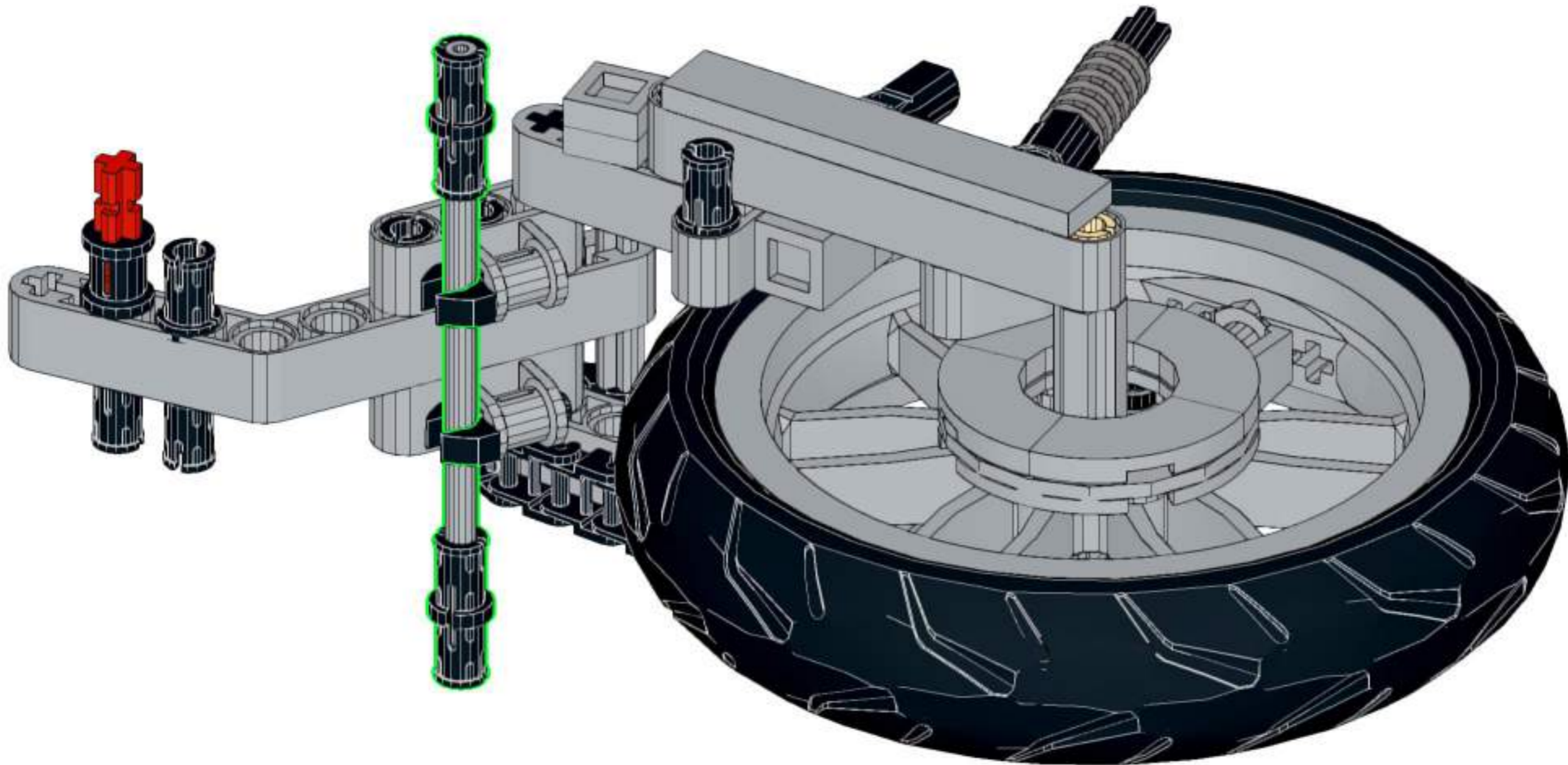




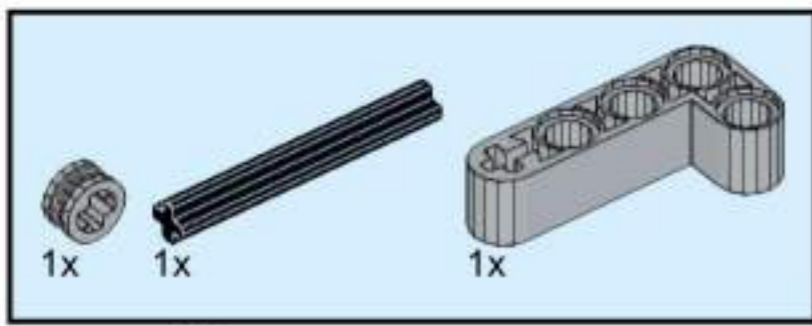
# 40



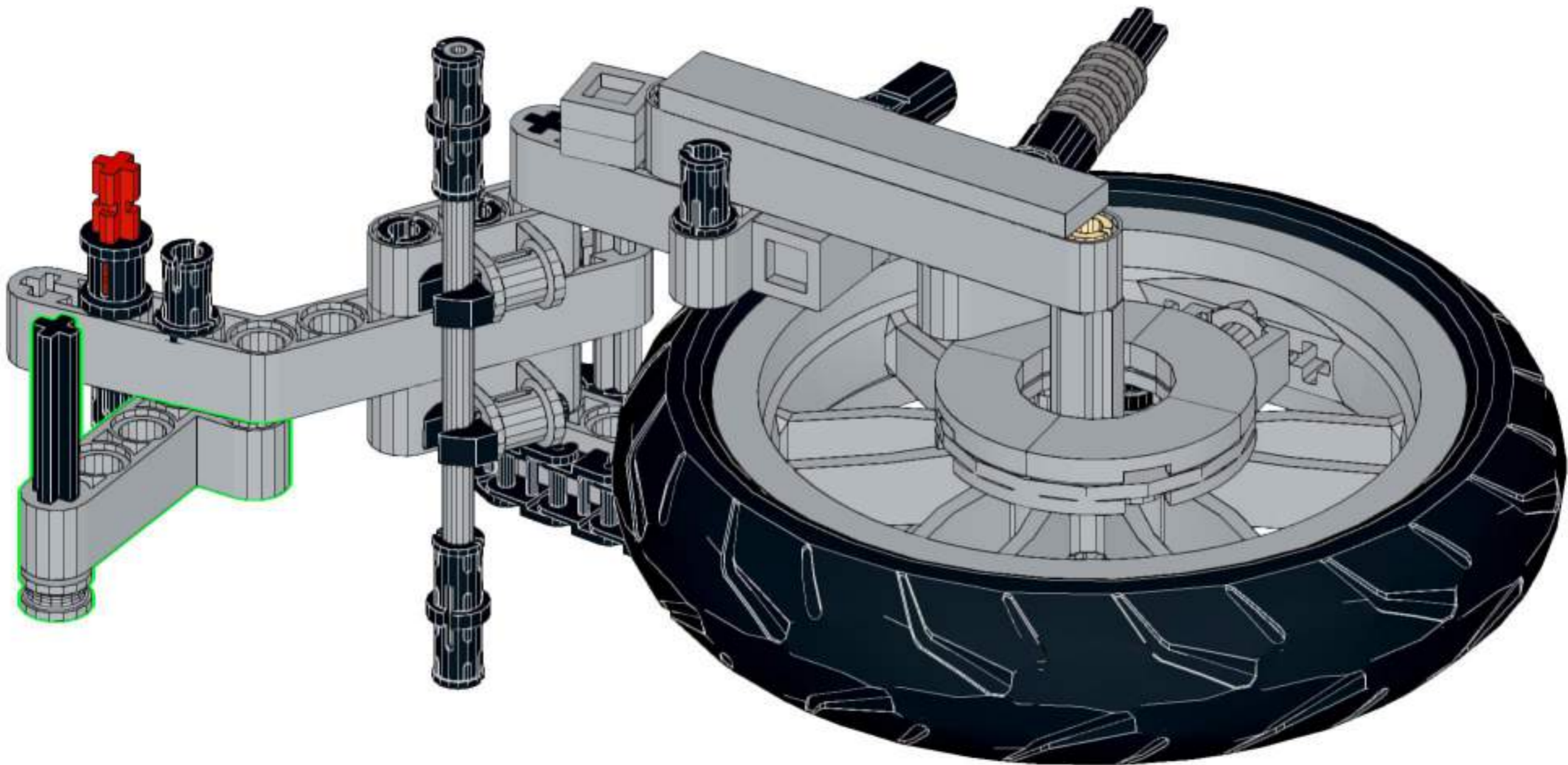
72 mm ca  
Hollow hose 3 mm diameter



# 41

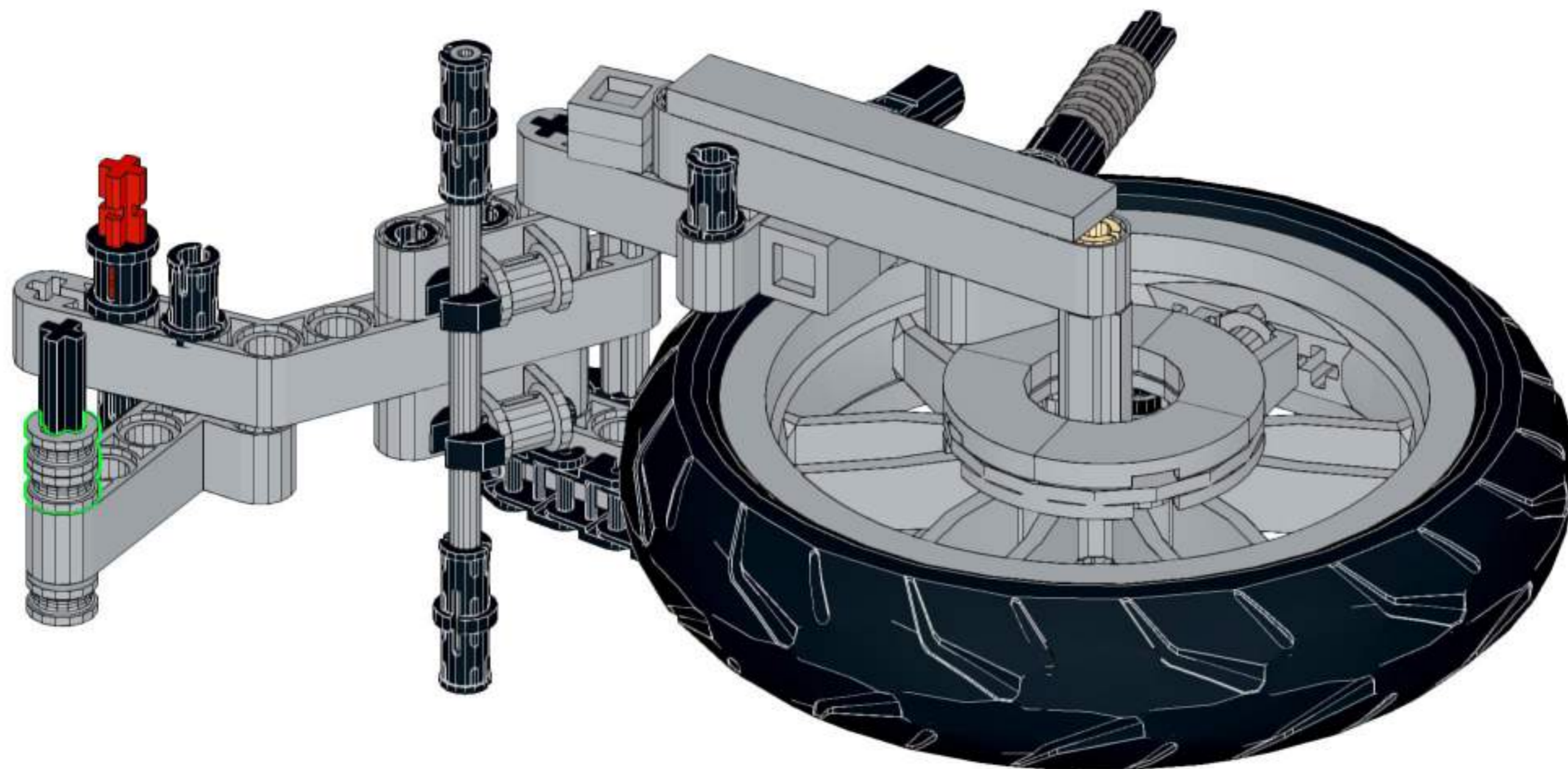


32 mm ca

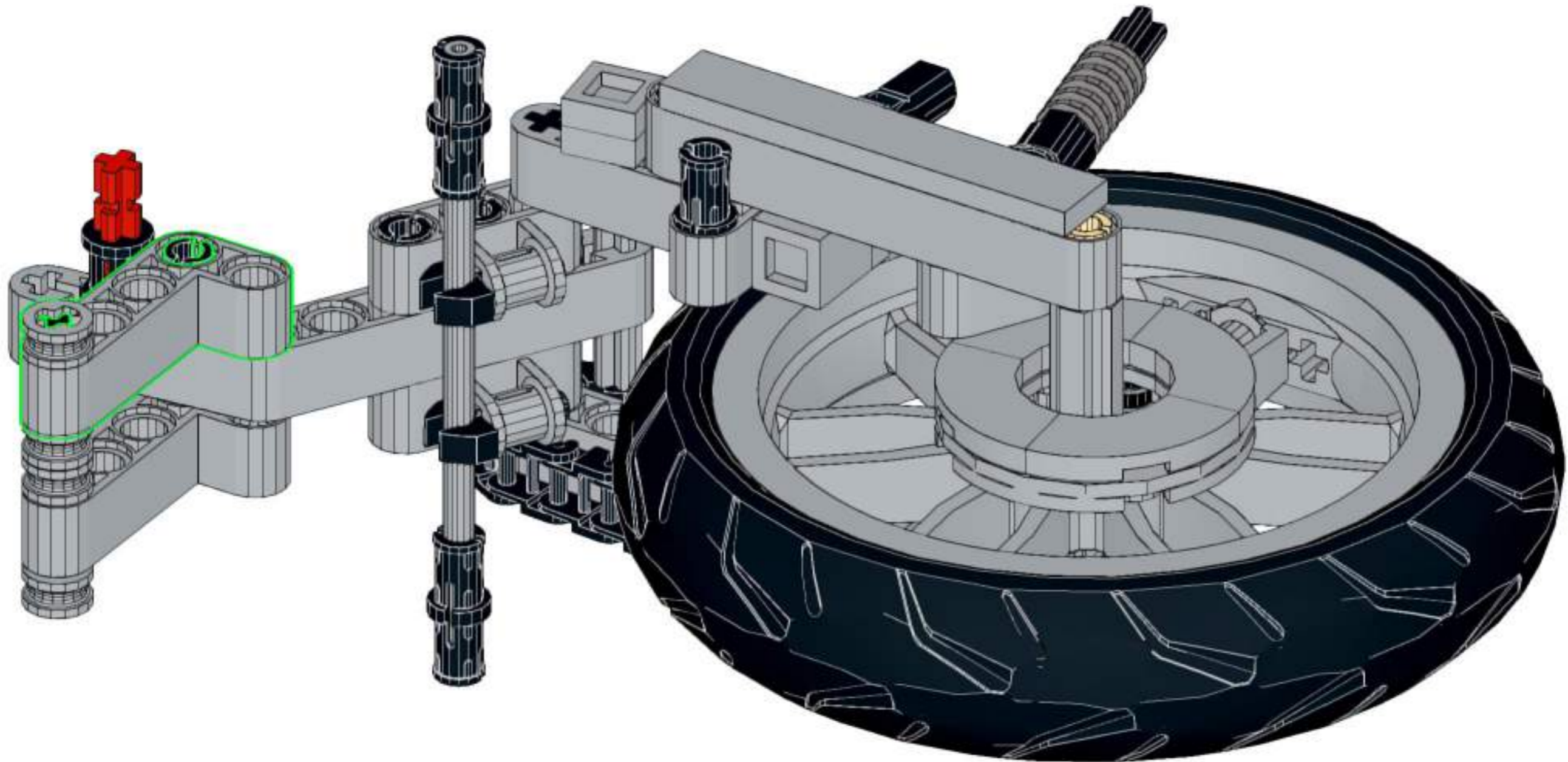
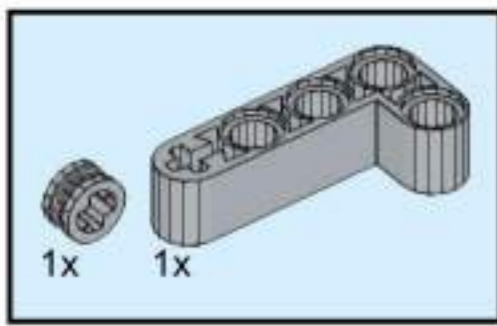




42

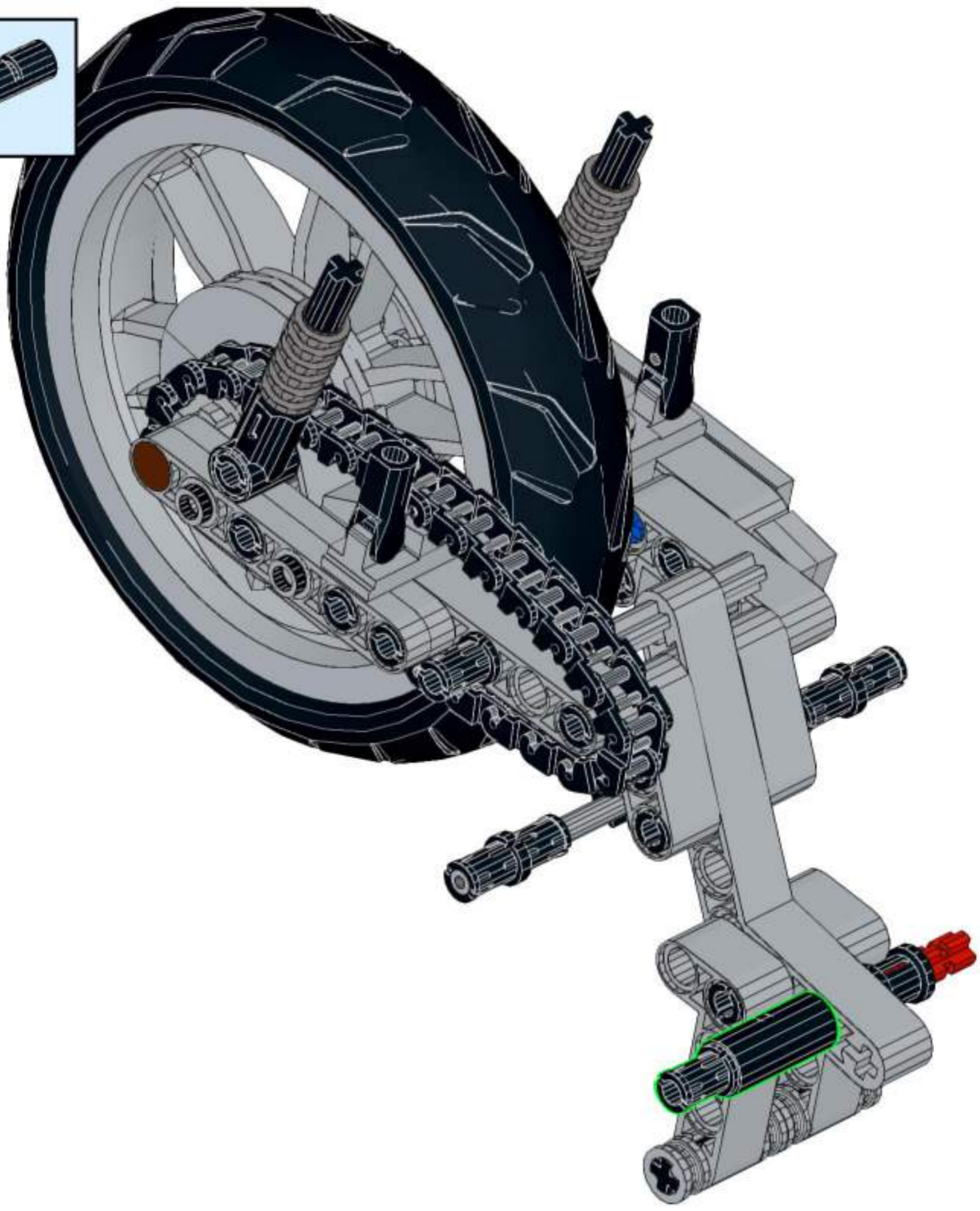
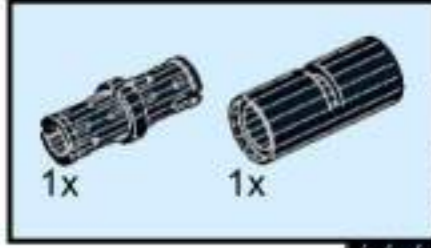


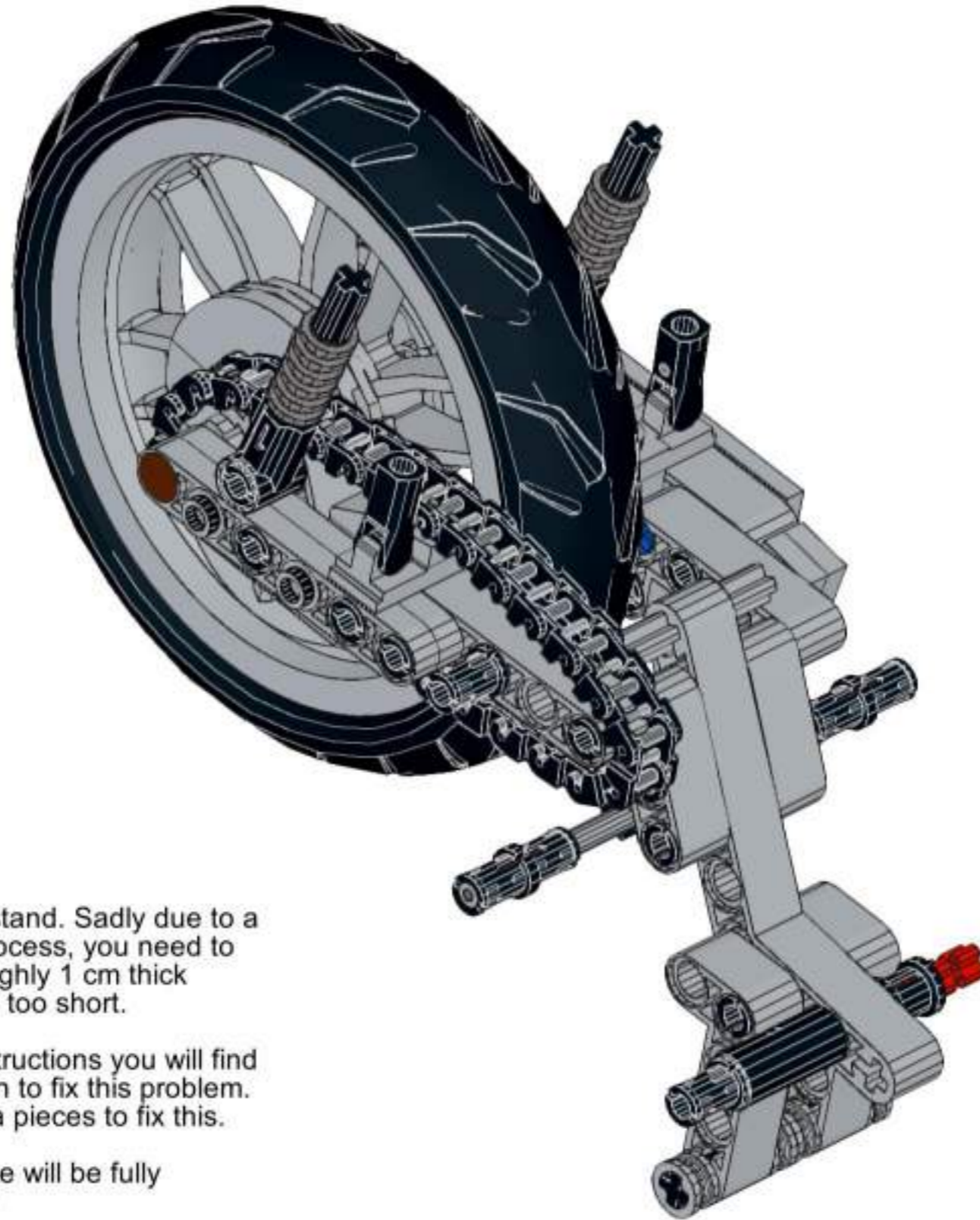
43





44





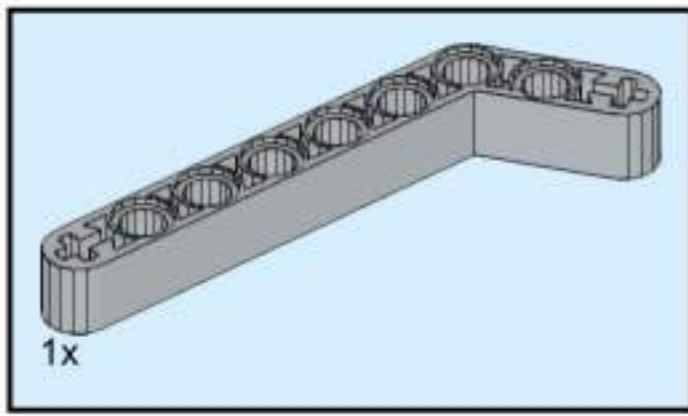
You can now use the stand. Sadly due to a failure in the design process, you need to stack something of roughly 1 cm thick under the stand as it is too short.

In the end of these instructions you will find a completing instruction to fix this problem. We have sent out extra pieces to fix this.

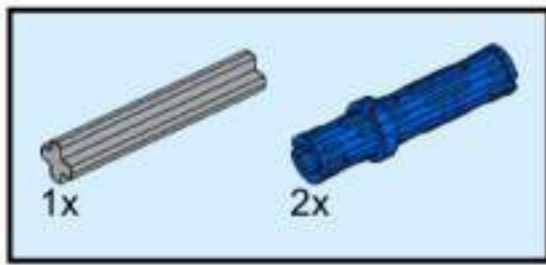
Other than this, the bike will be fully buildable from now on.



46



# 47

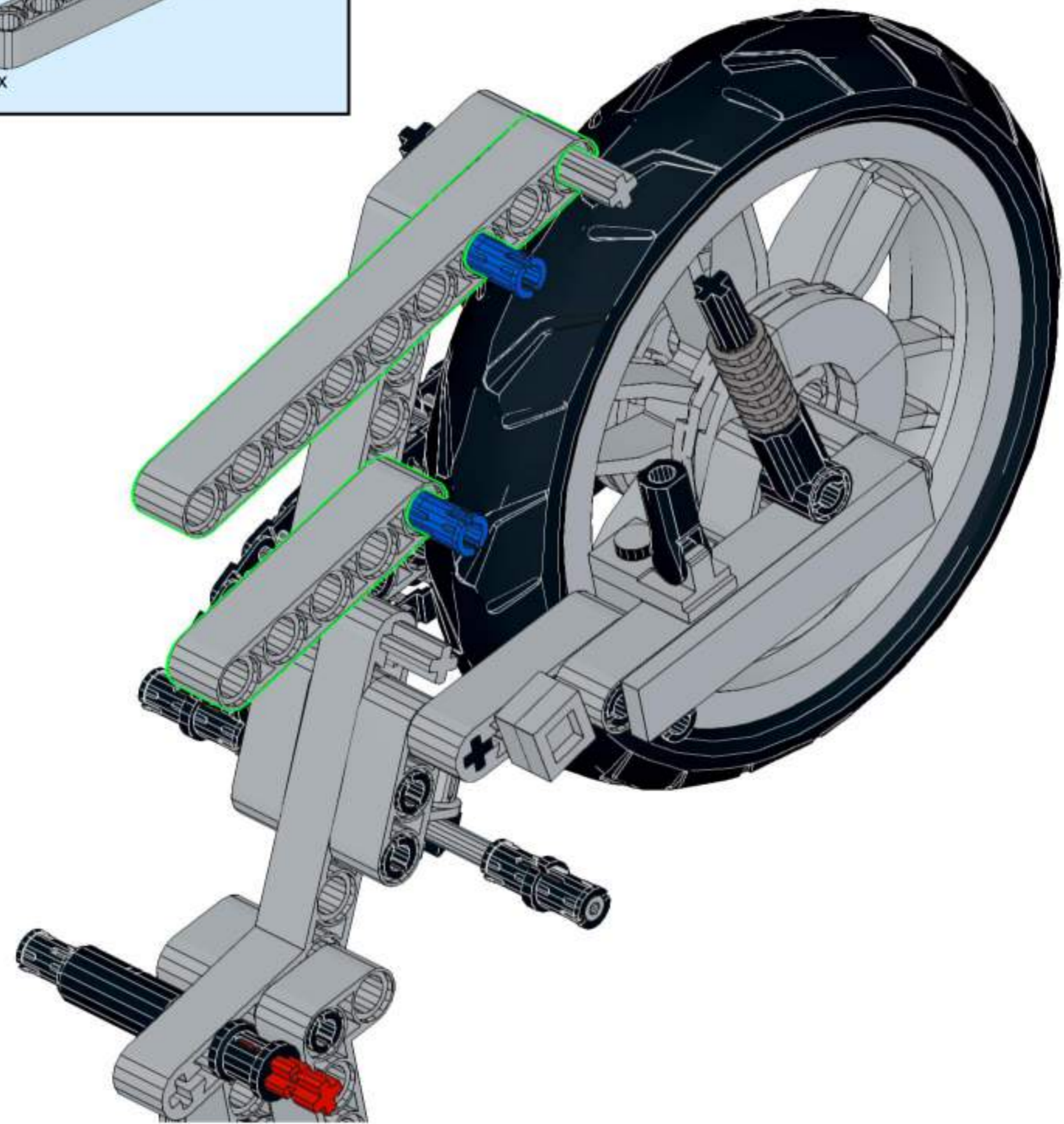
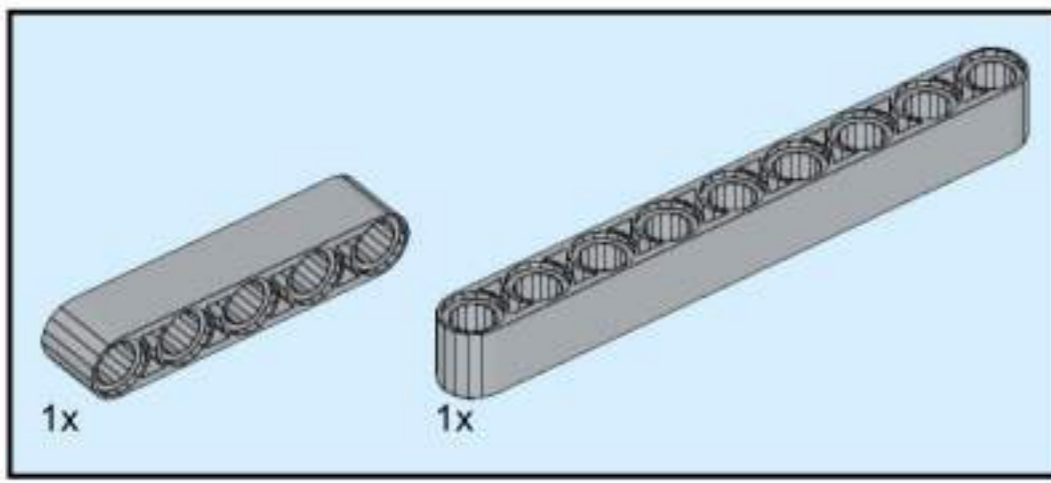


24 mm ca



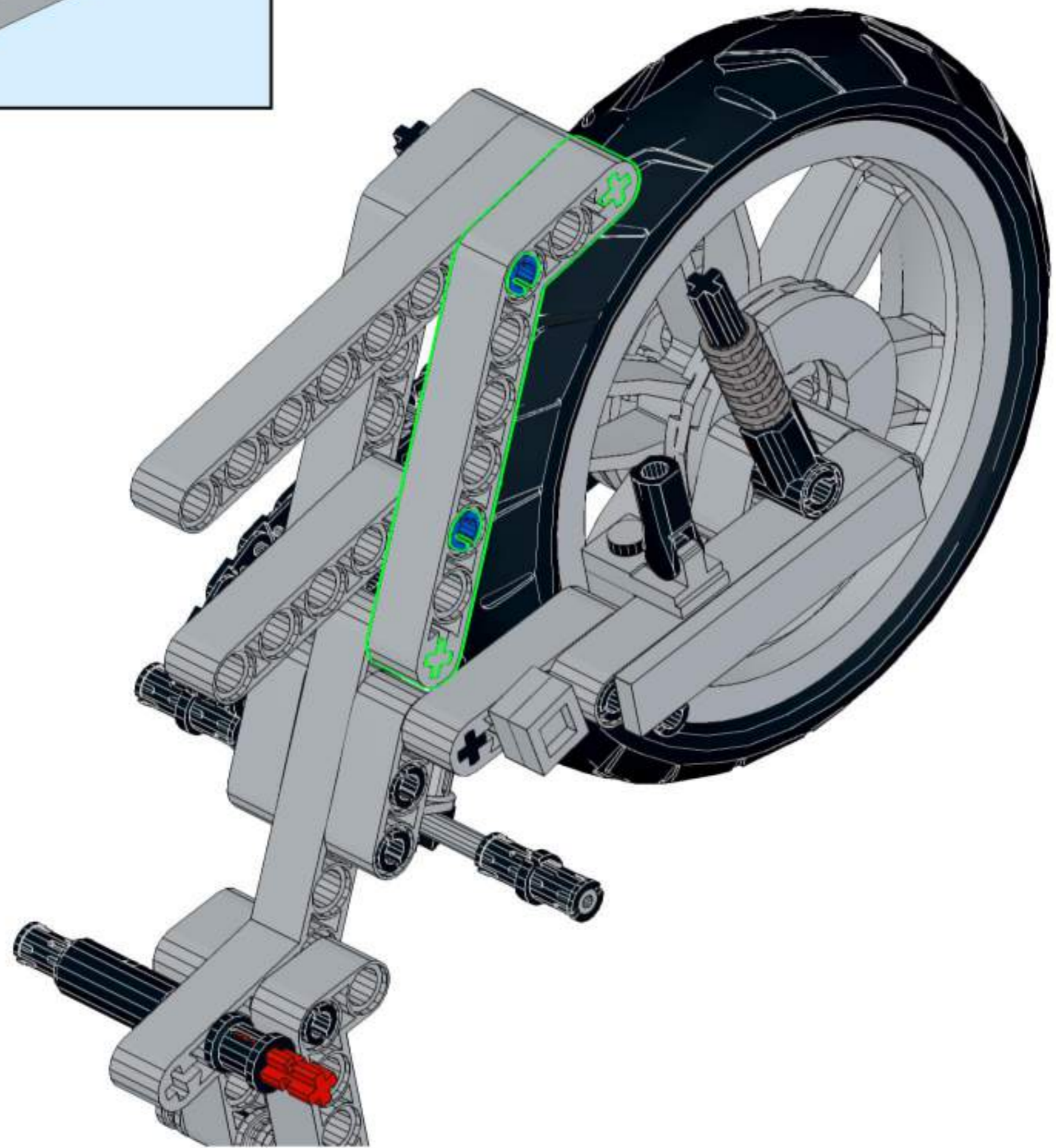
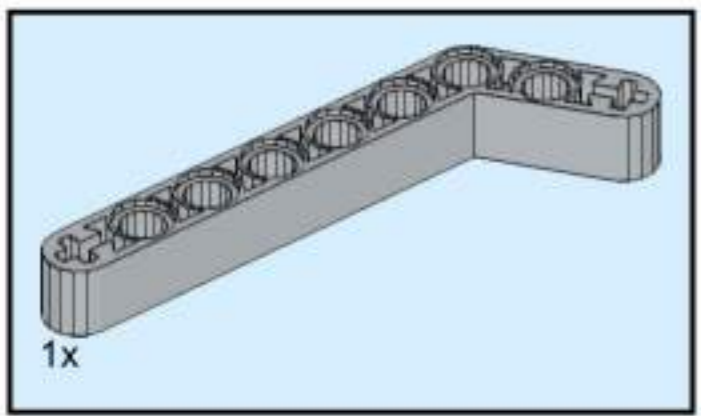


48





49

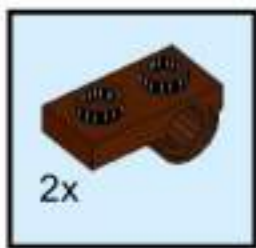




50

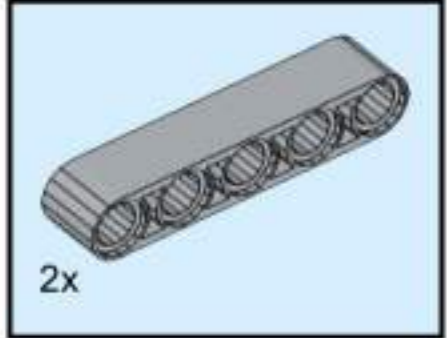


51



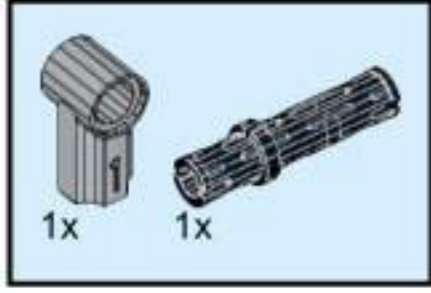


52





53





54



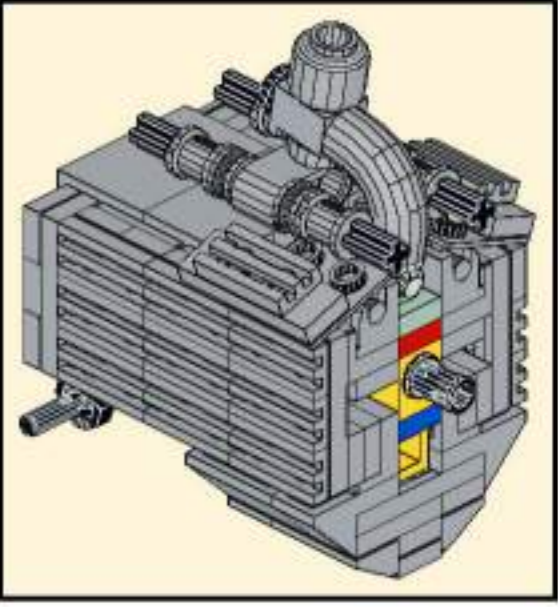
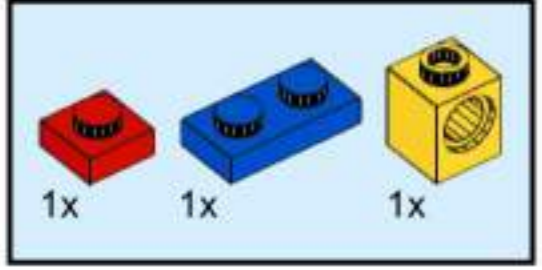


55

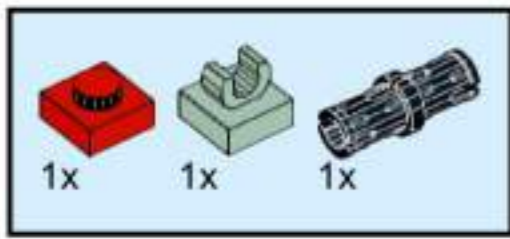




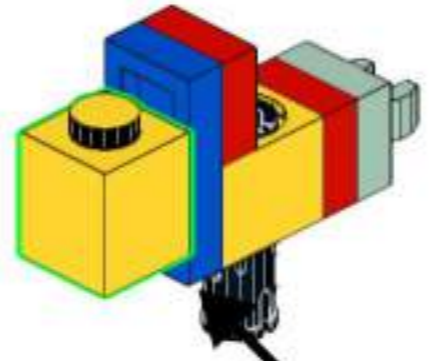
56



# 57



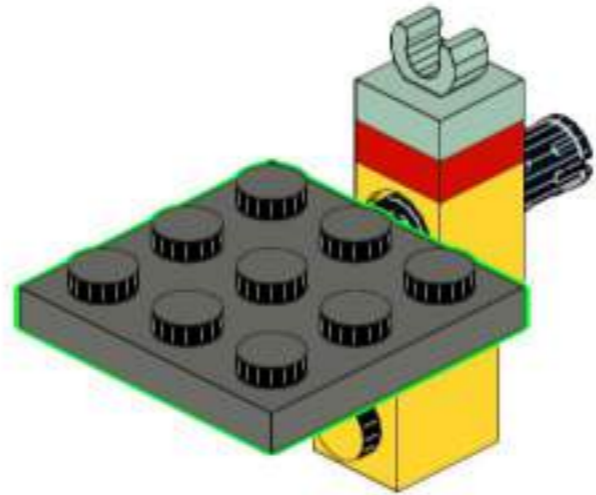
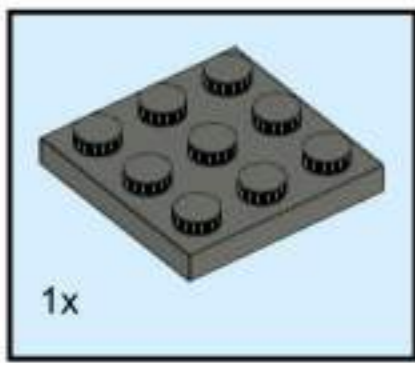
58



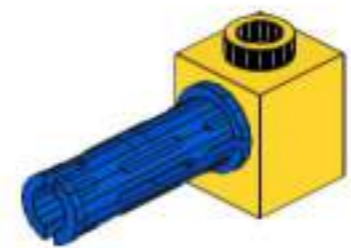
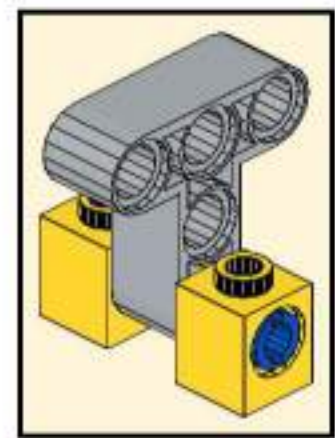
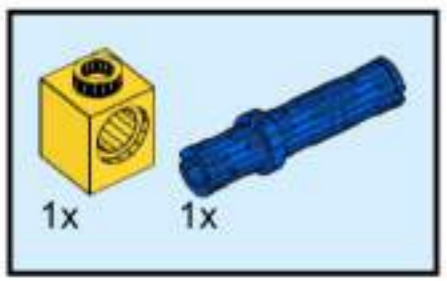
Note this placement in the center of the blue plate.



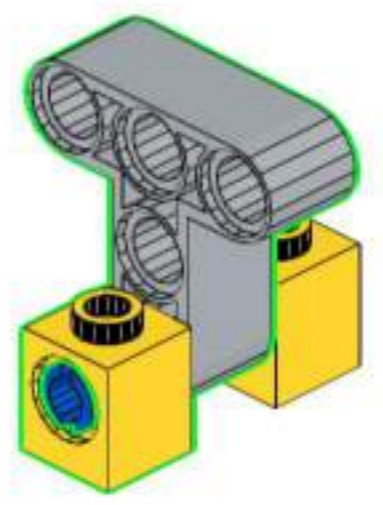
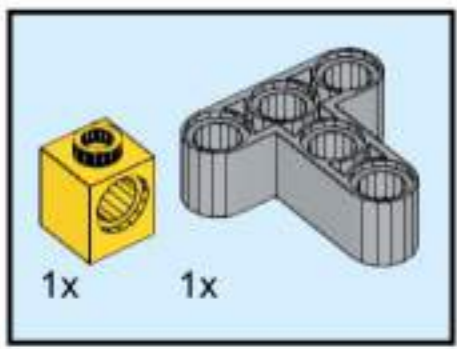
59



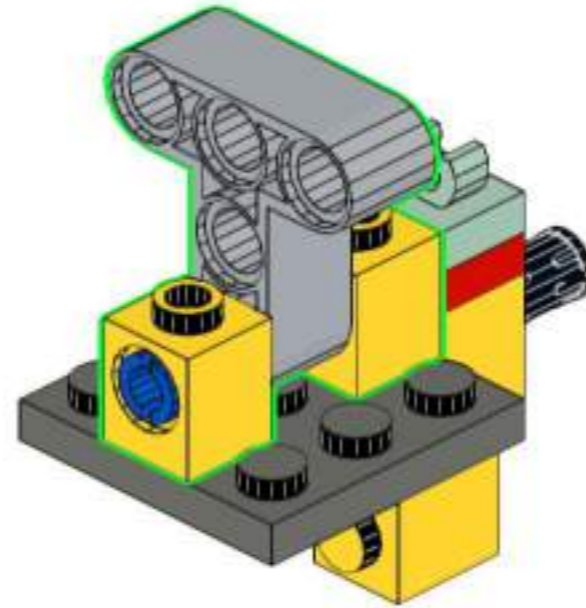
60



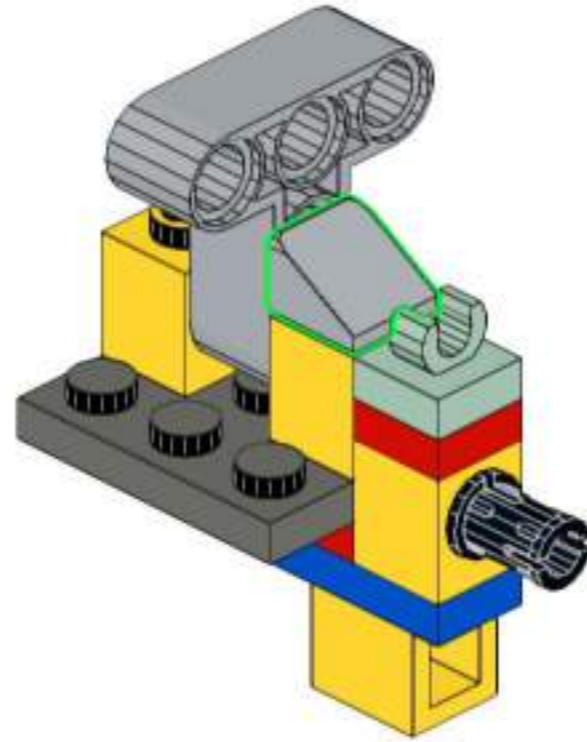
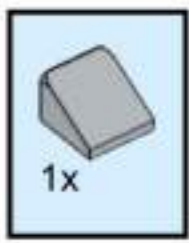
61



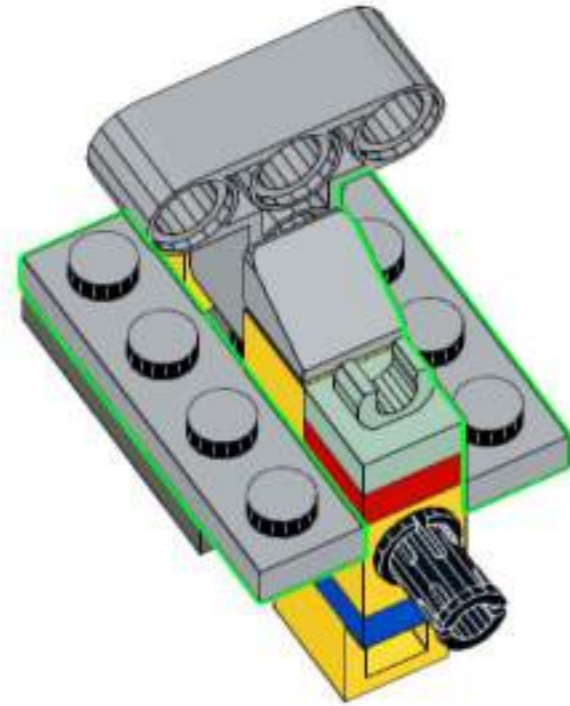
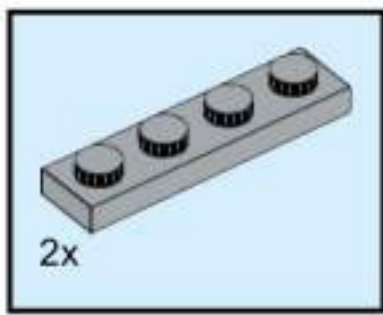




63

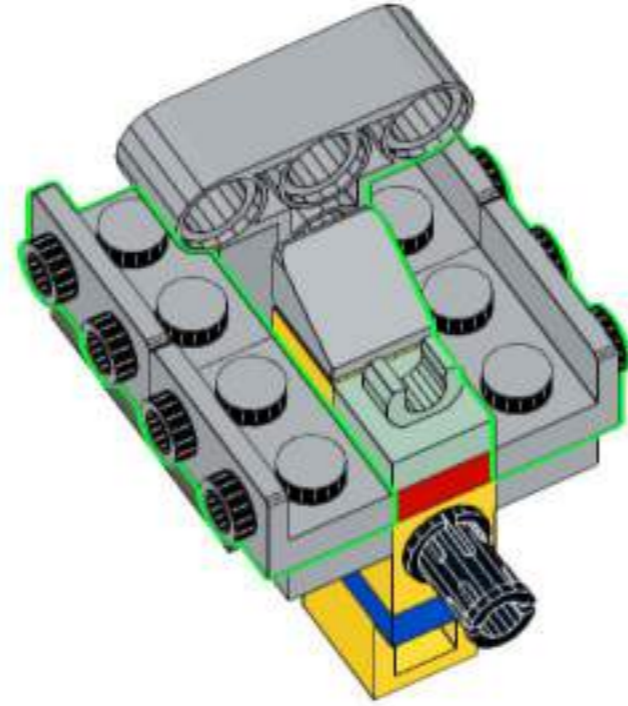


64

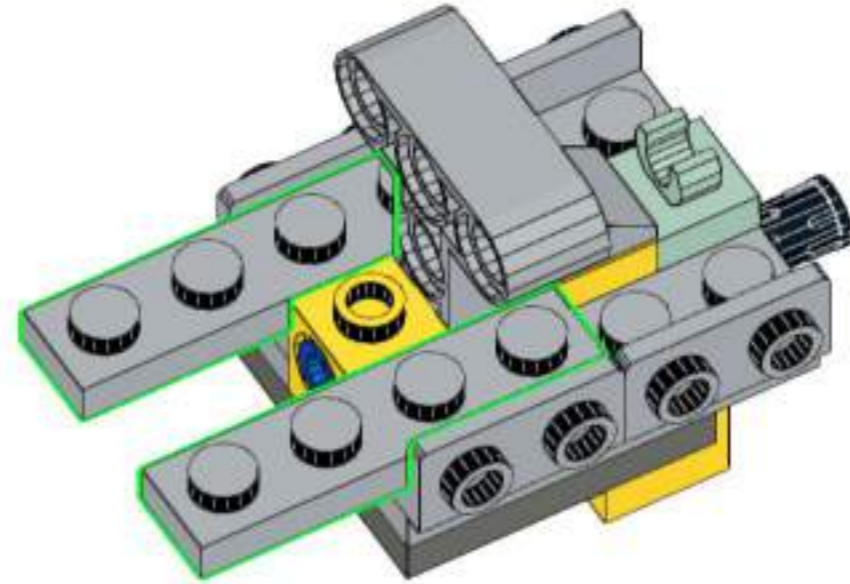
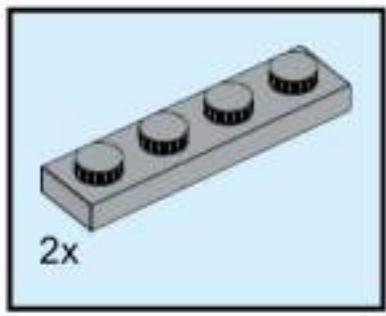




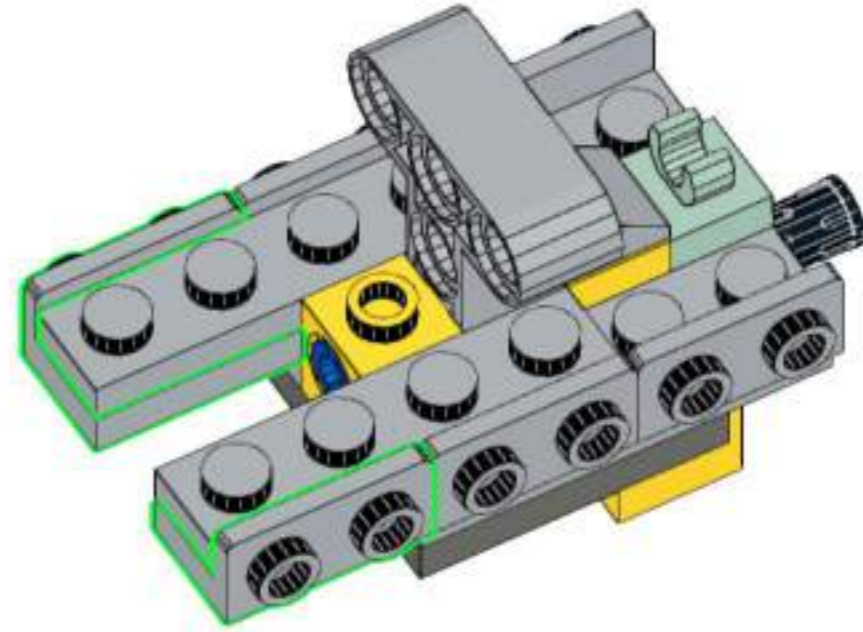
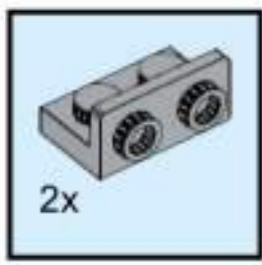
65



66

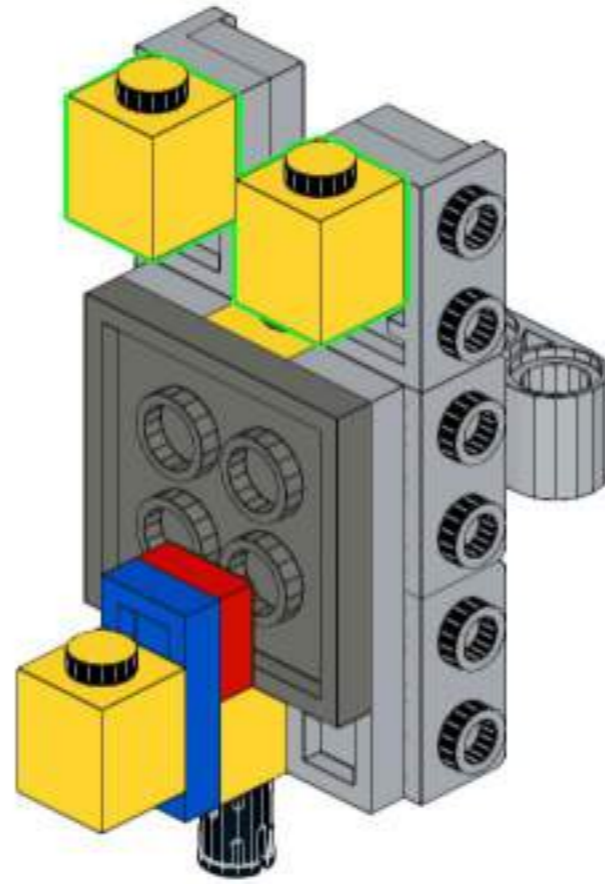


67

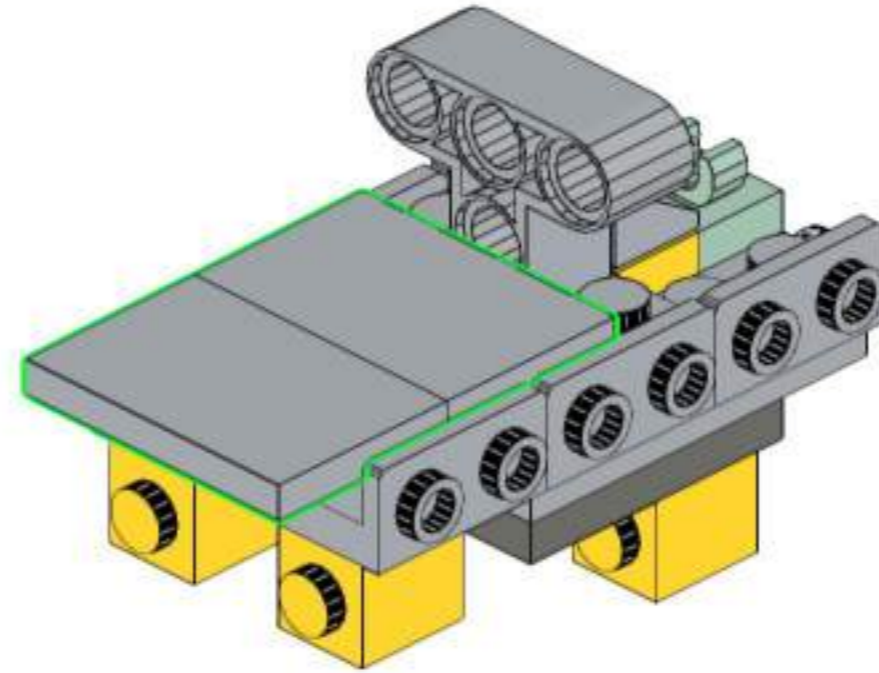
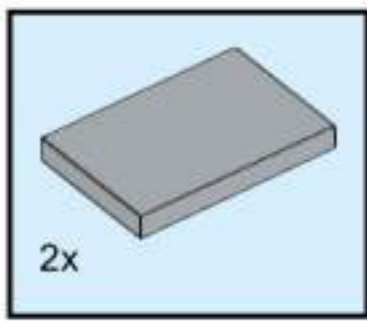




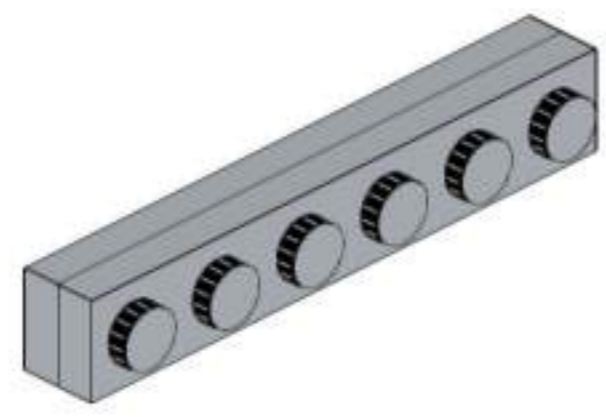
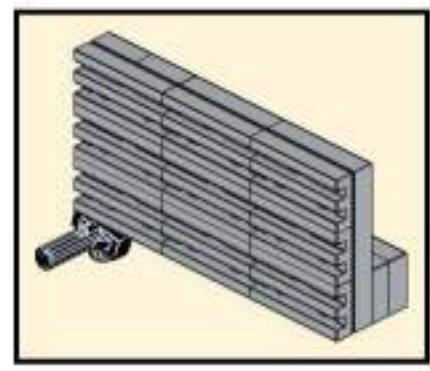
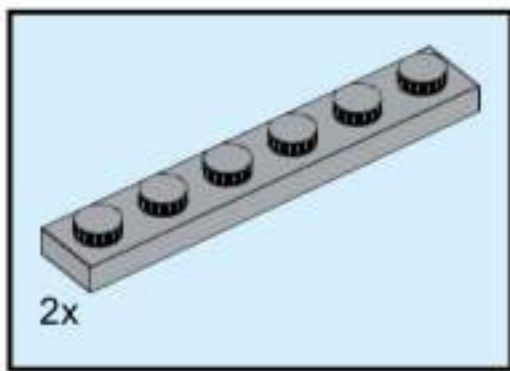
68



69

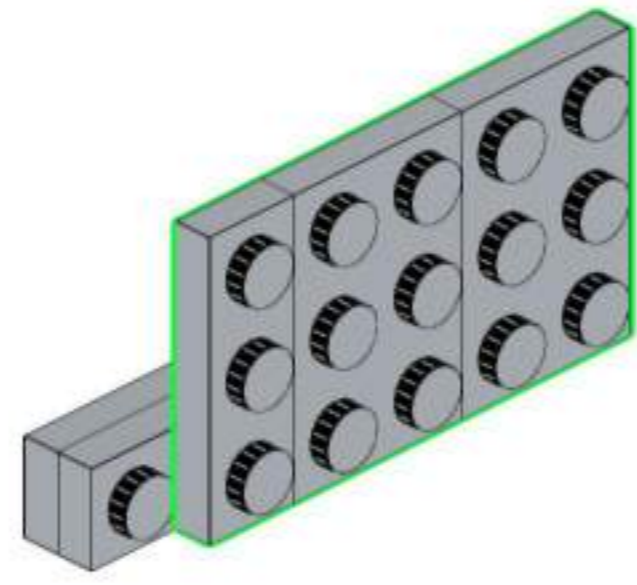
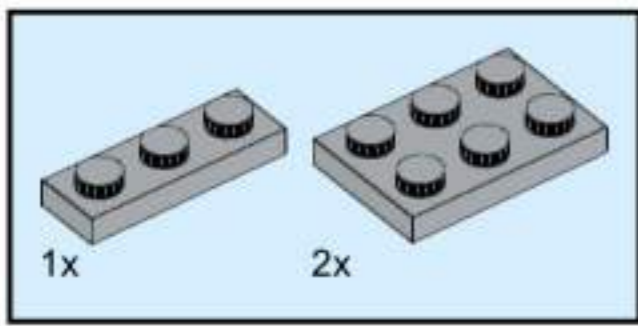


70

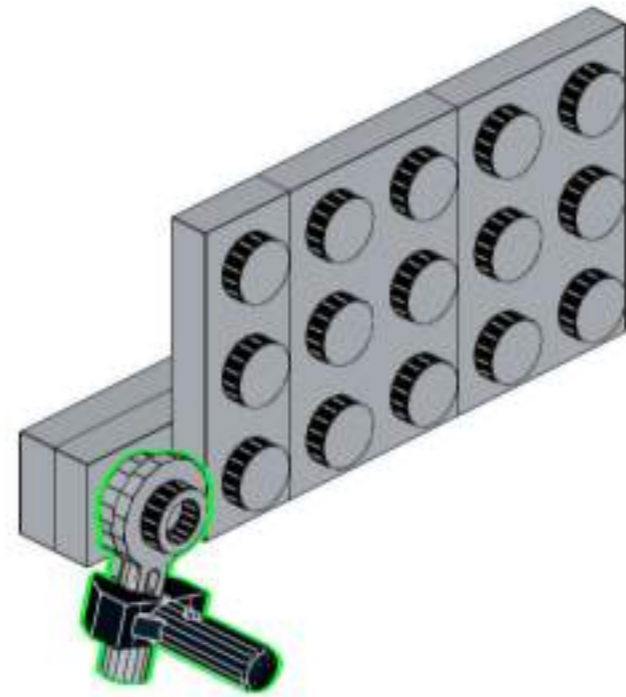
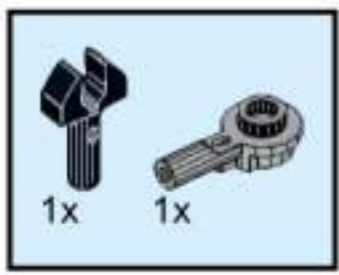




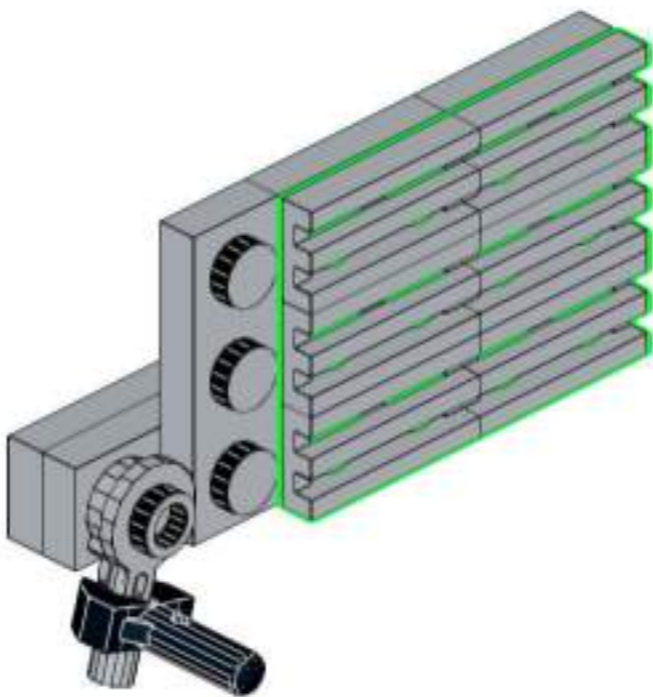
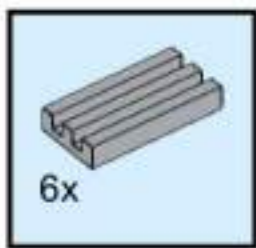
# 71



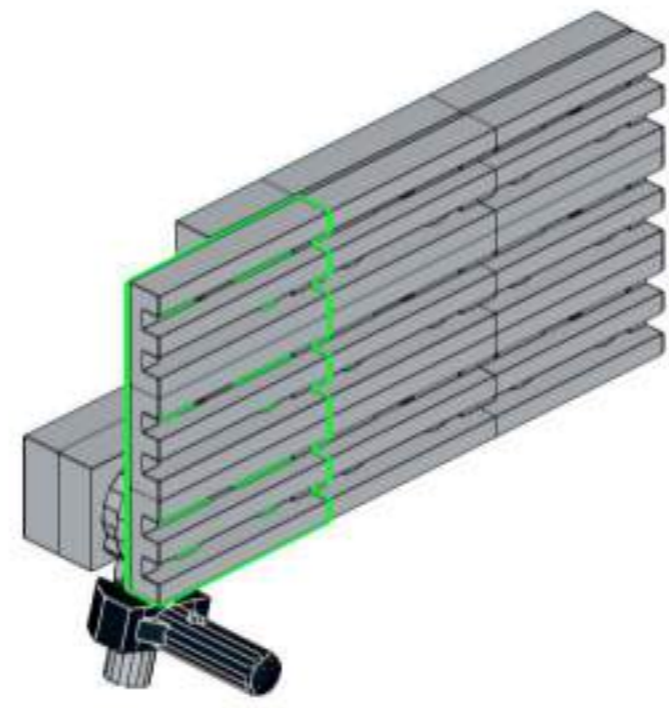
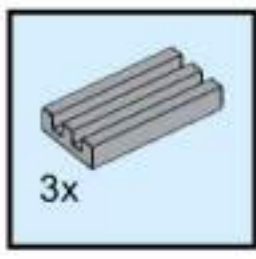
72



73

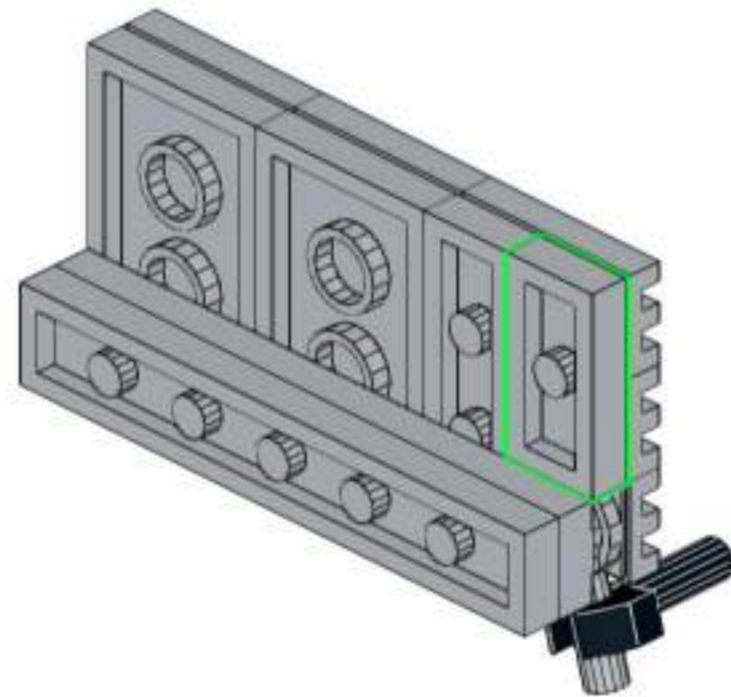
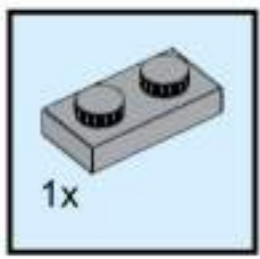


74

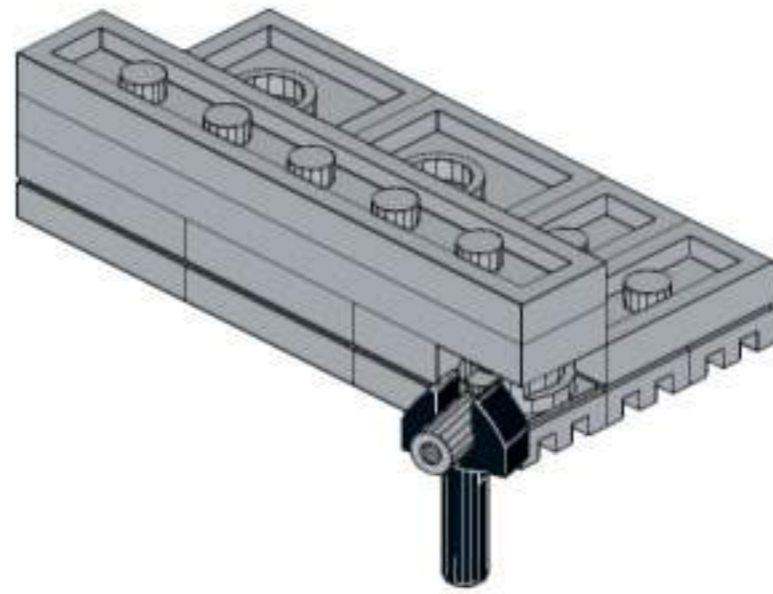
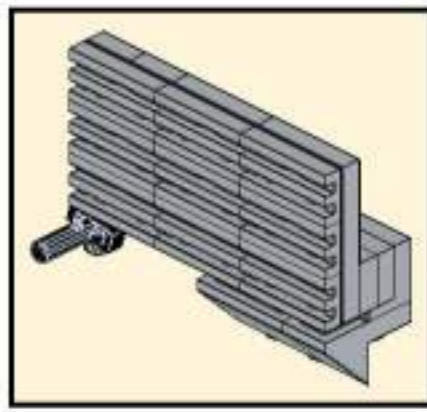




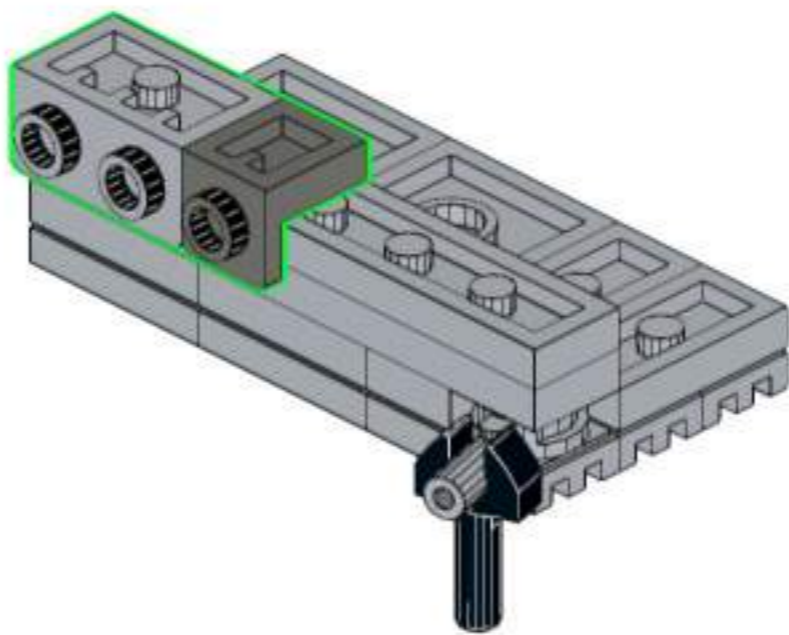
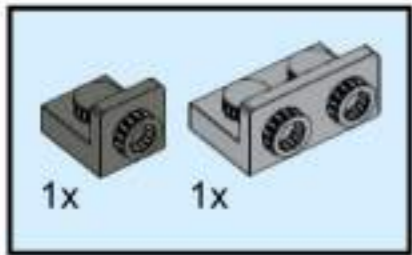
75



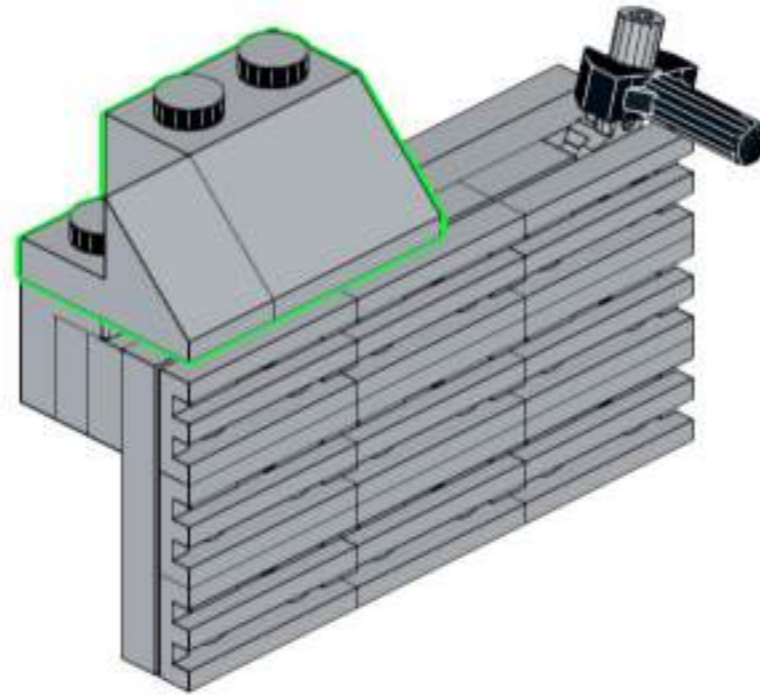
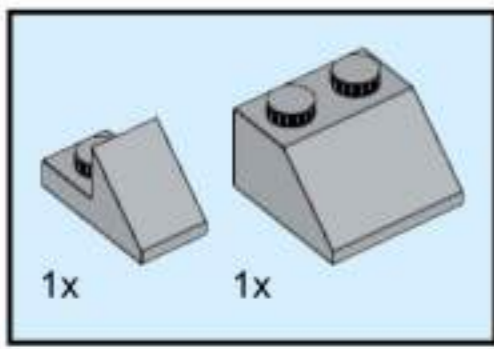
76



77

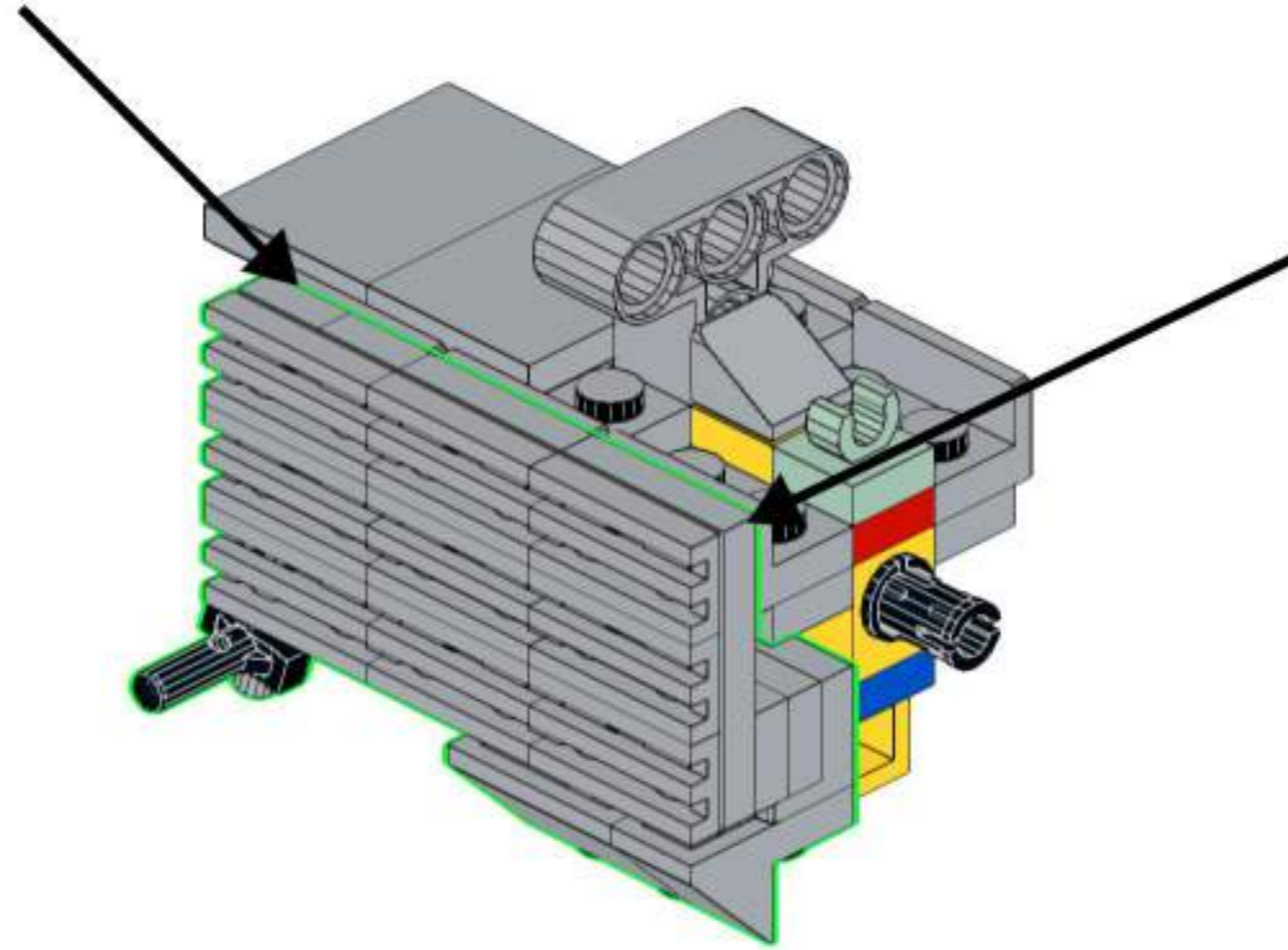


# 78

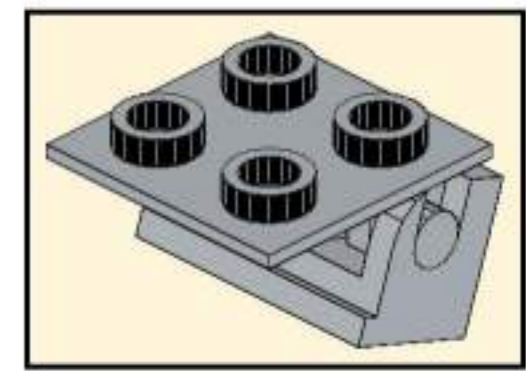
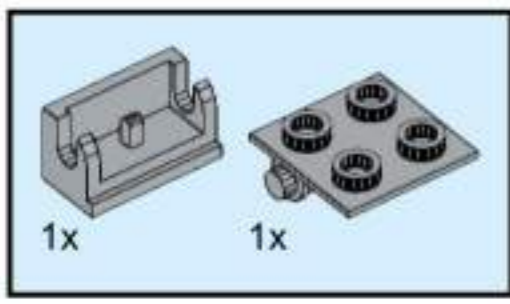




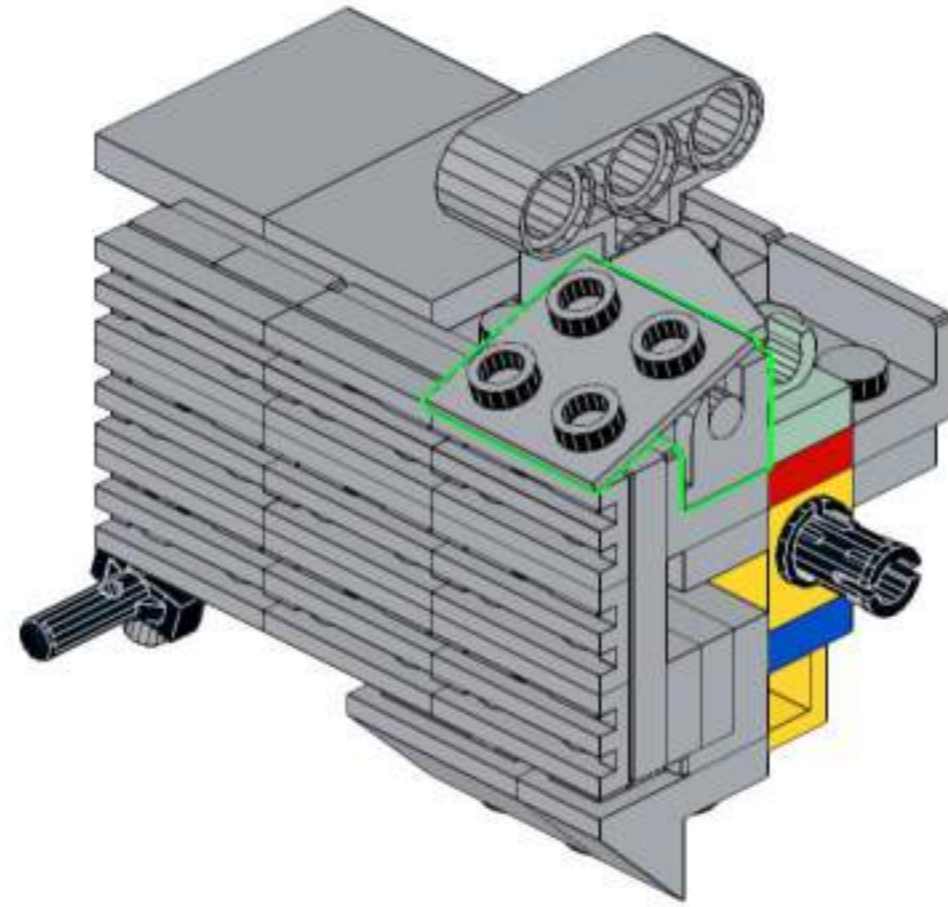
79



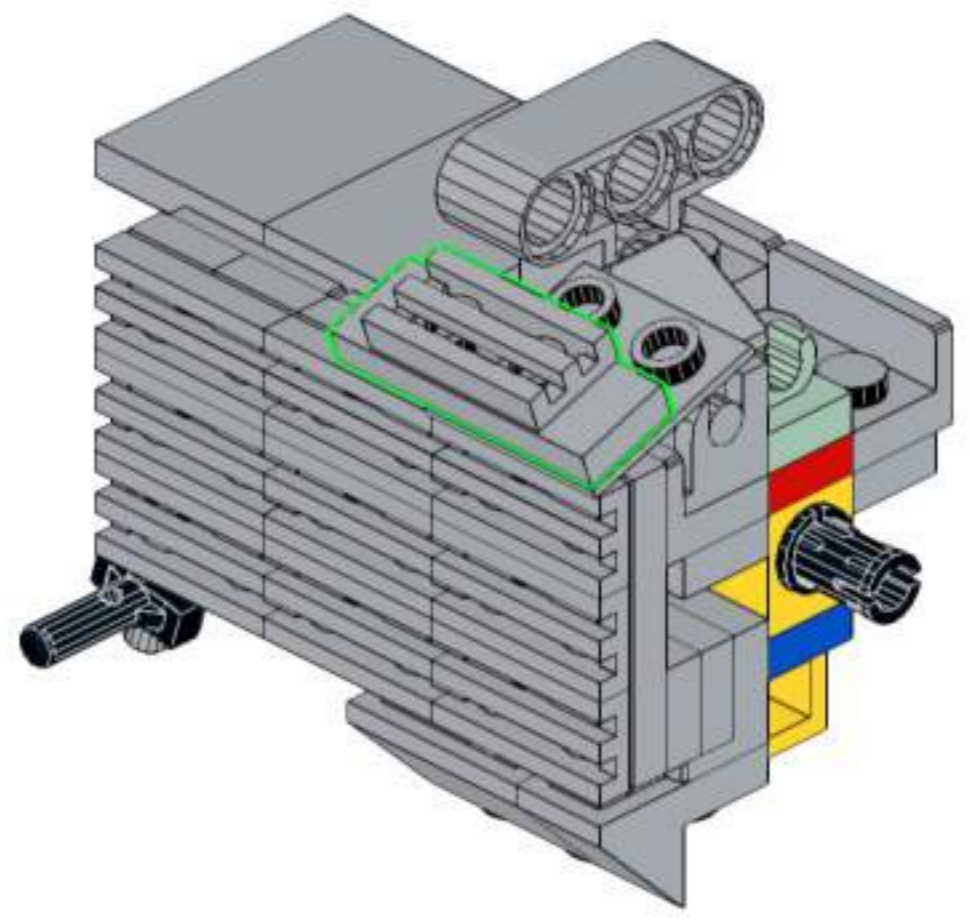
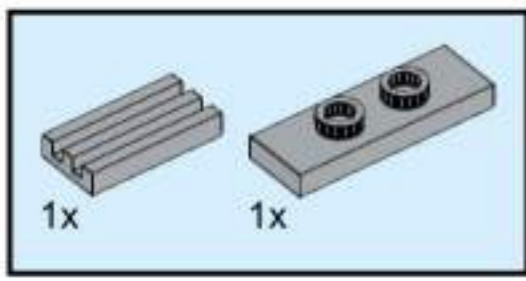
80



81

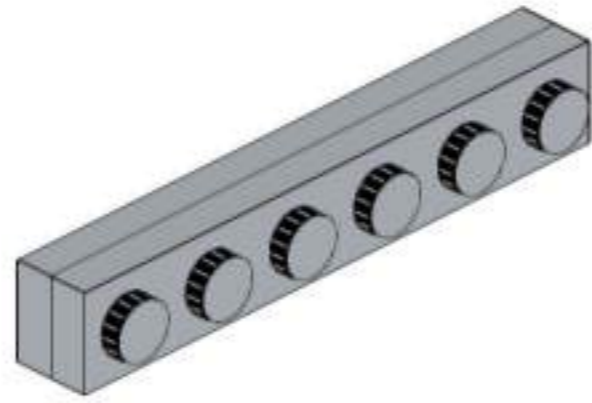
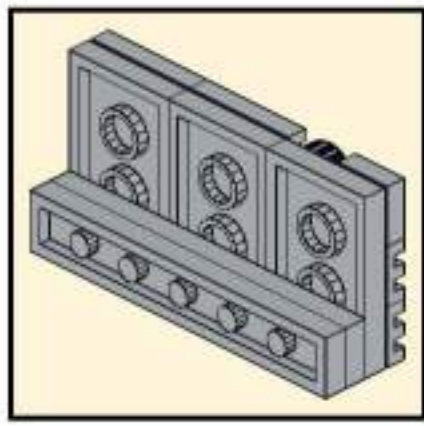
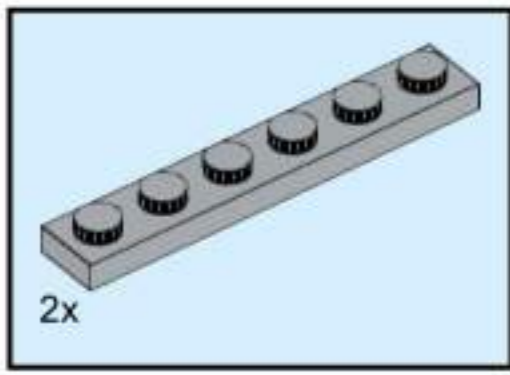


82

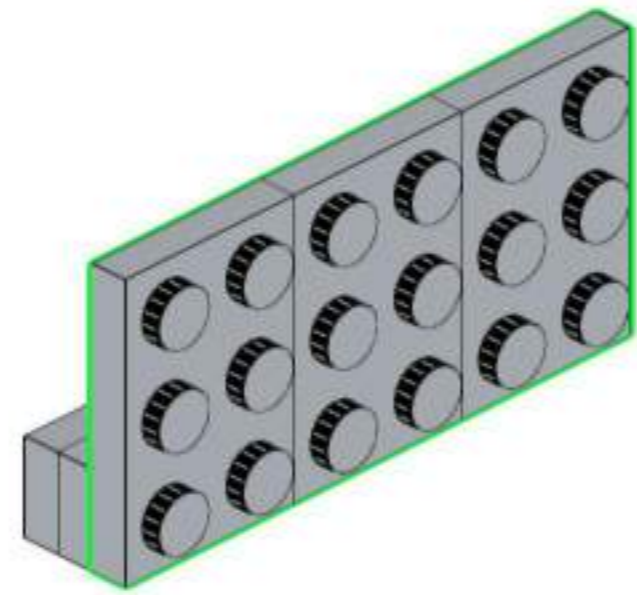
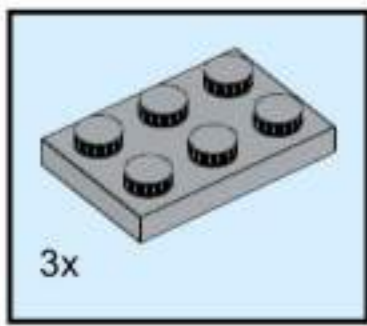




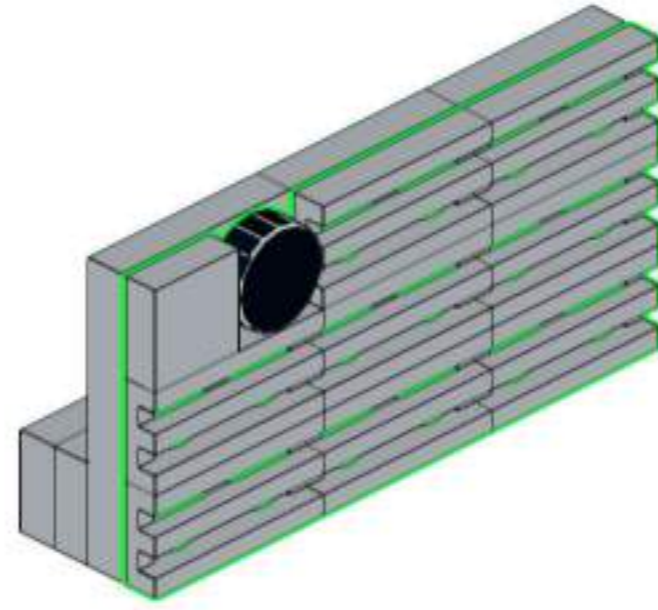
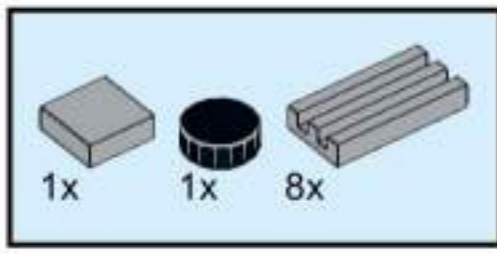
83



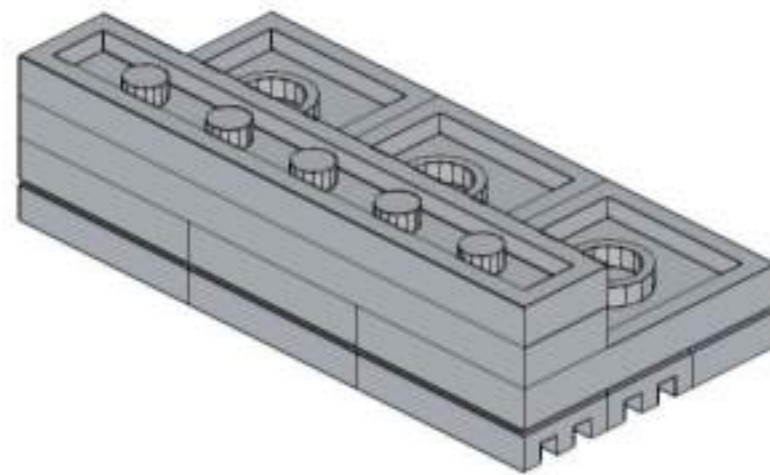
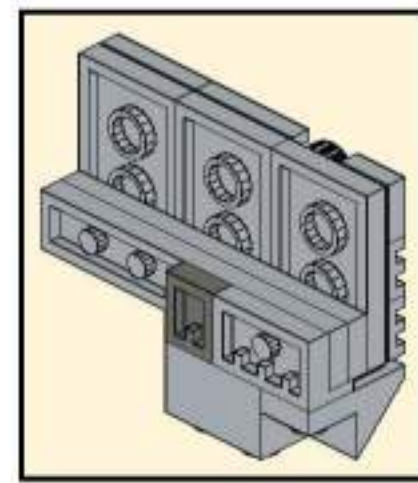
84



# 85

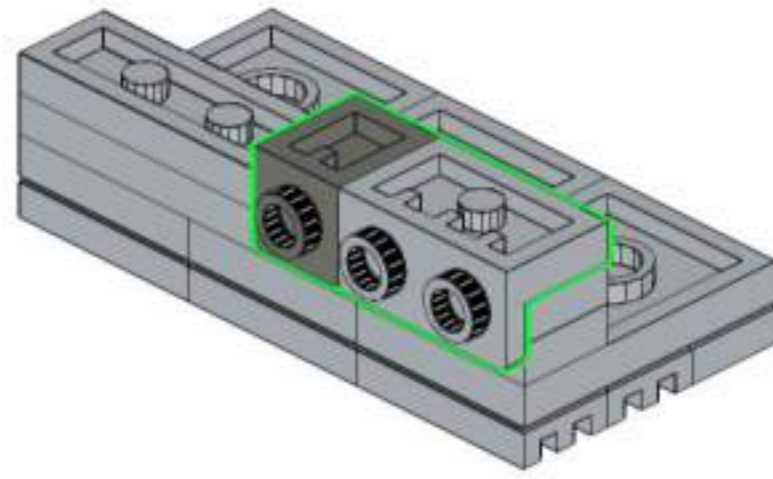
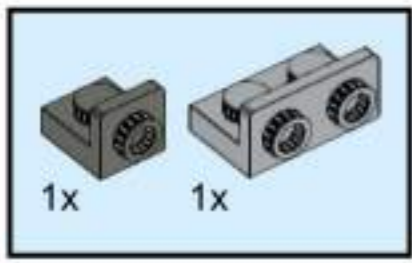


86

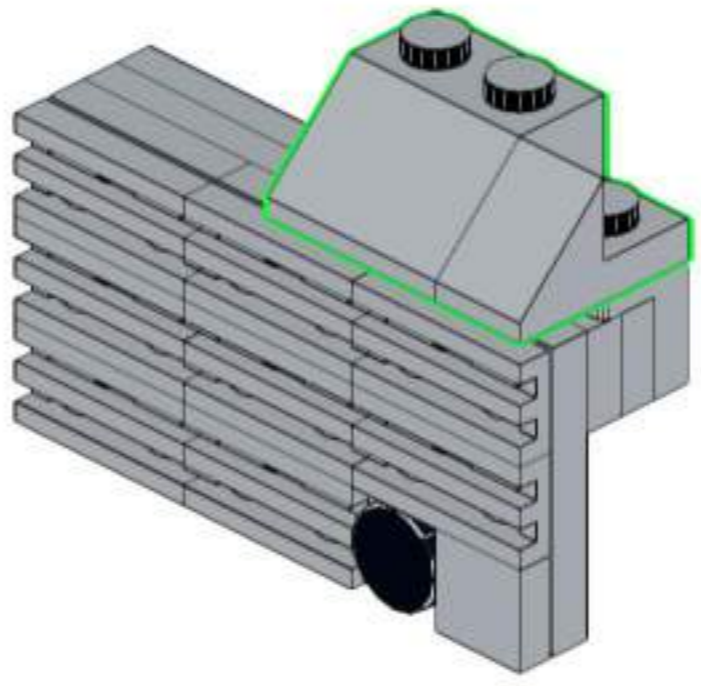
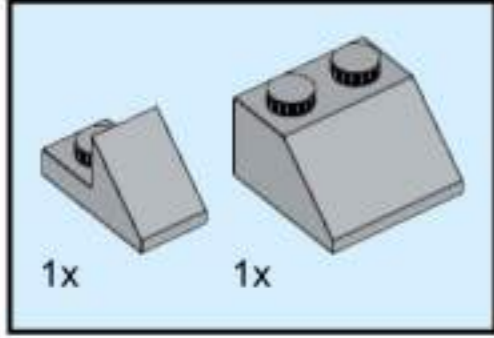


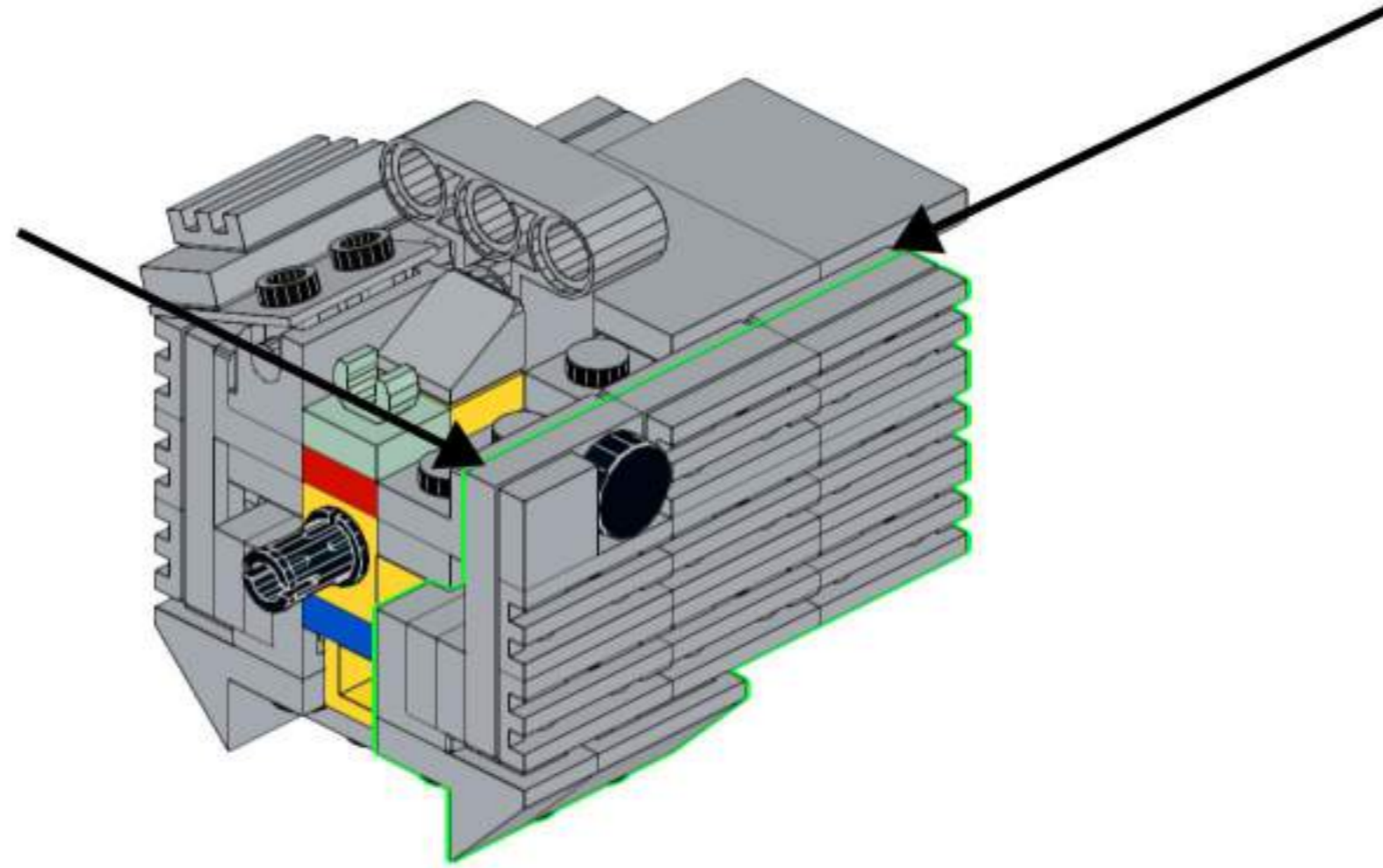


87

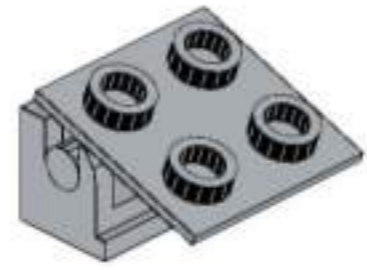
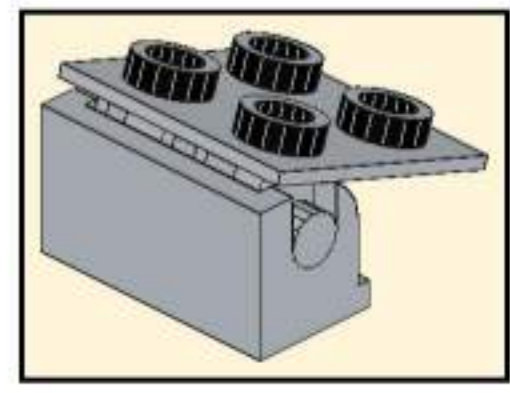
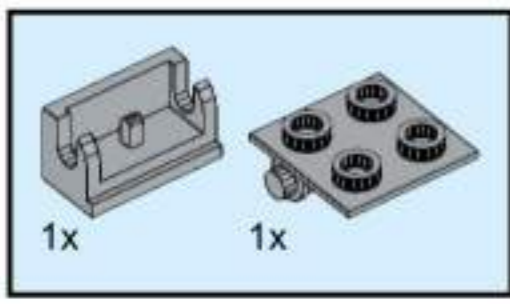


88



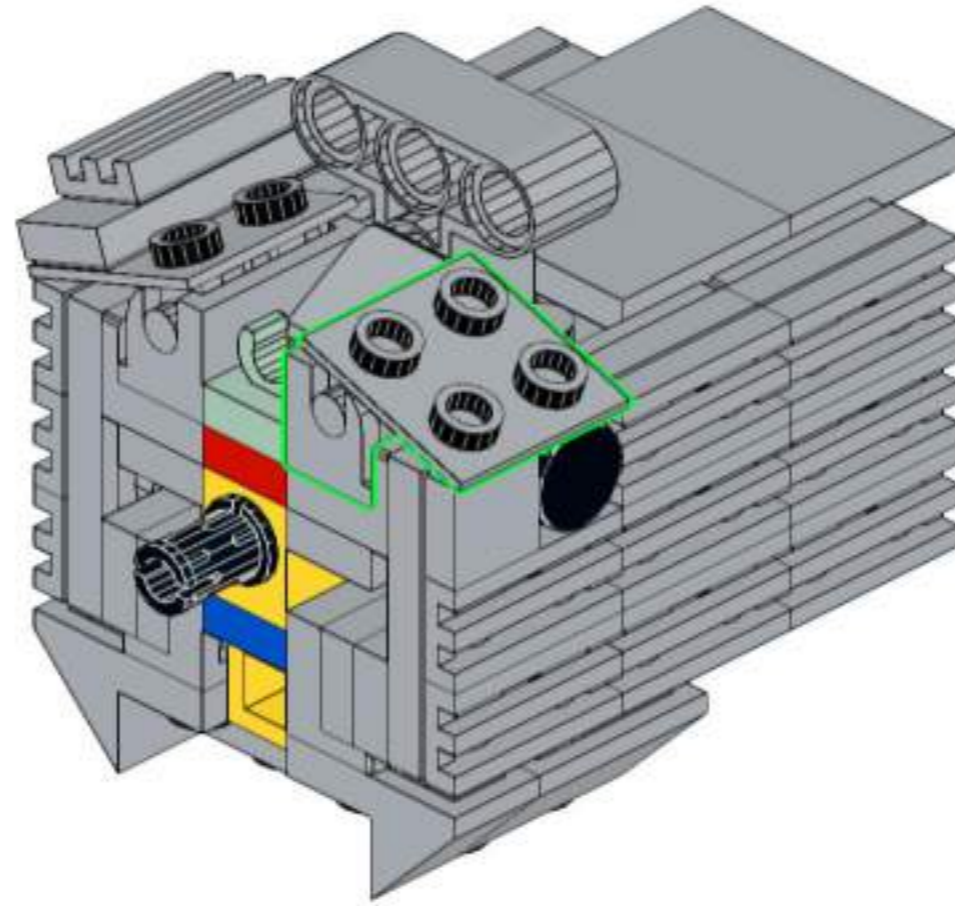


90

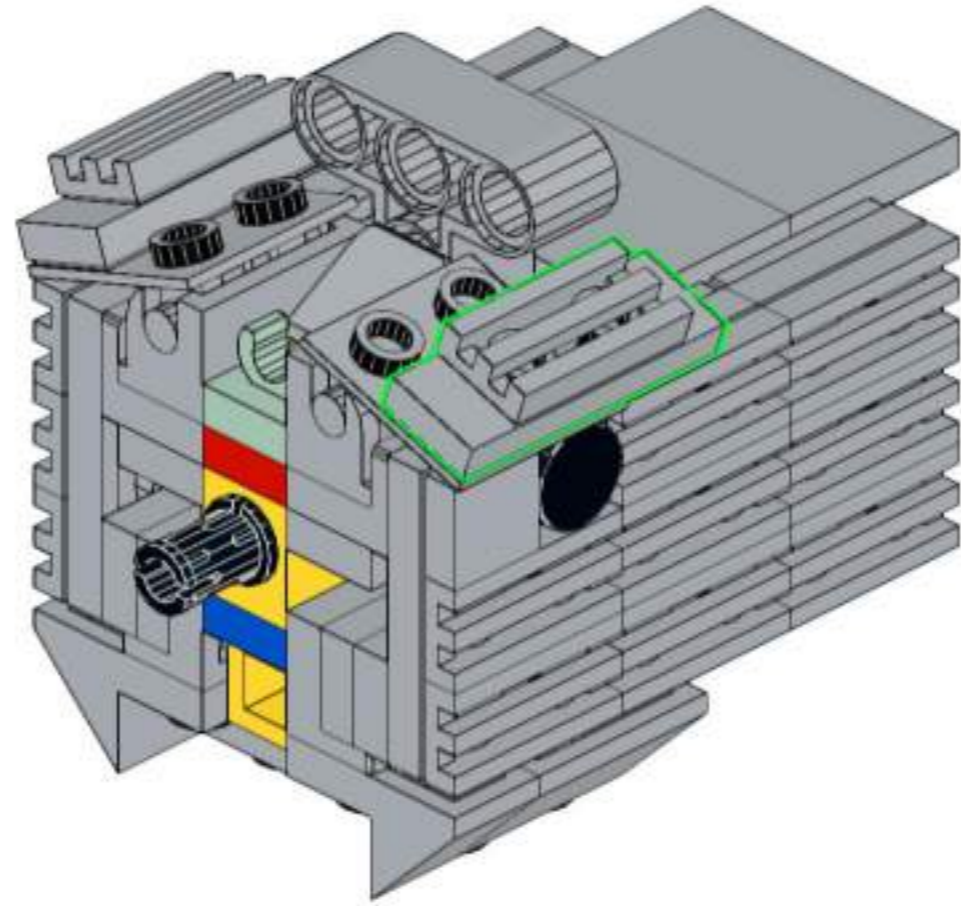
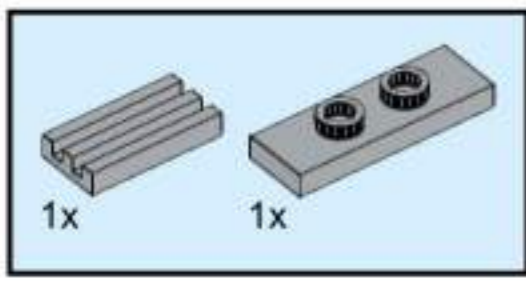




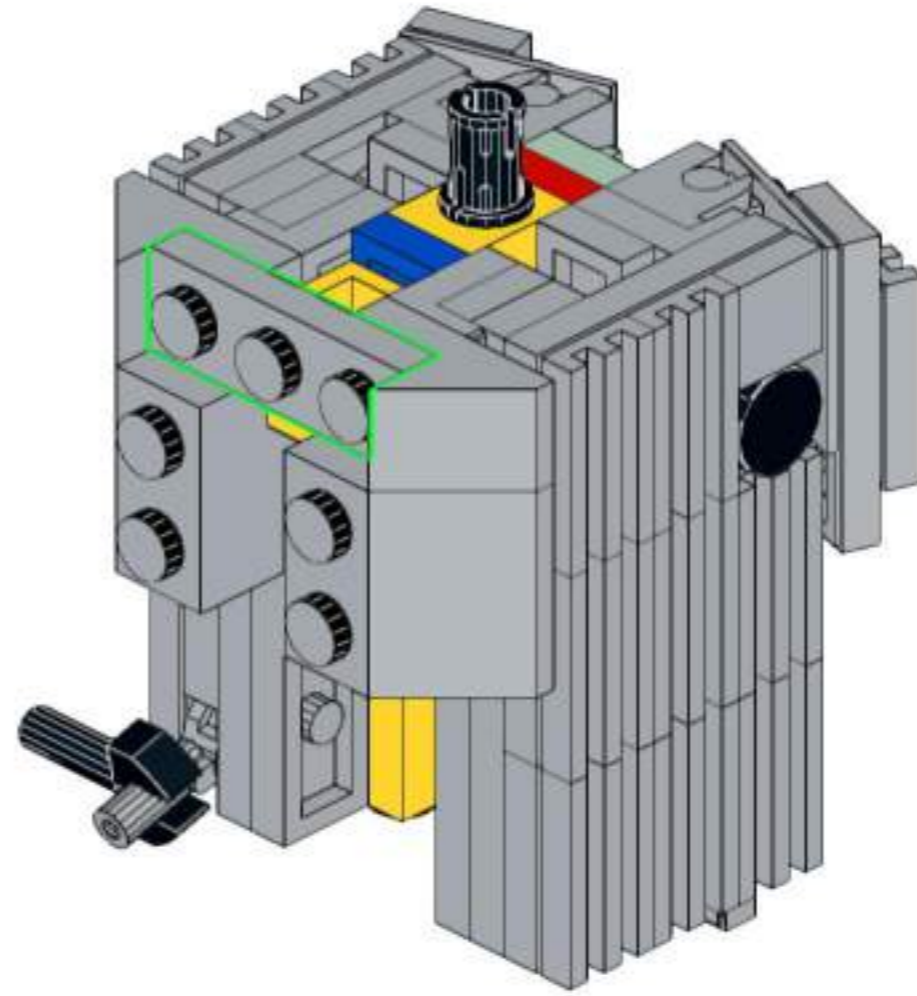
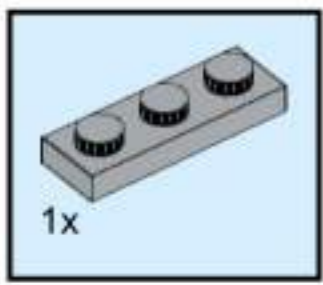
91



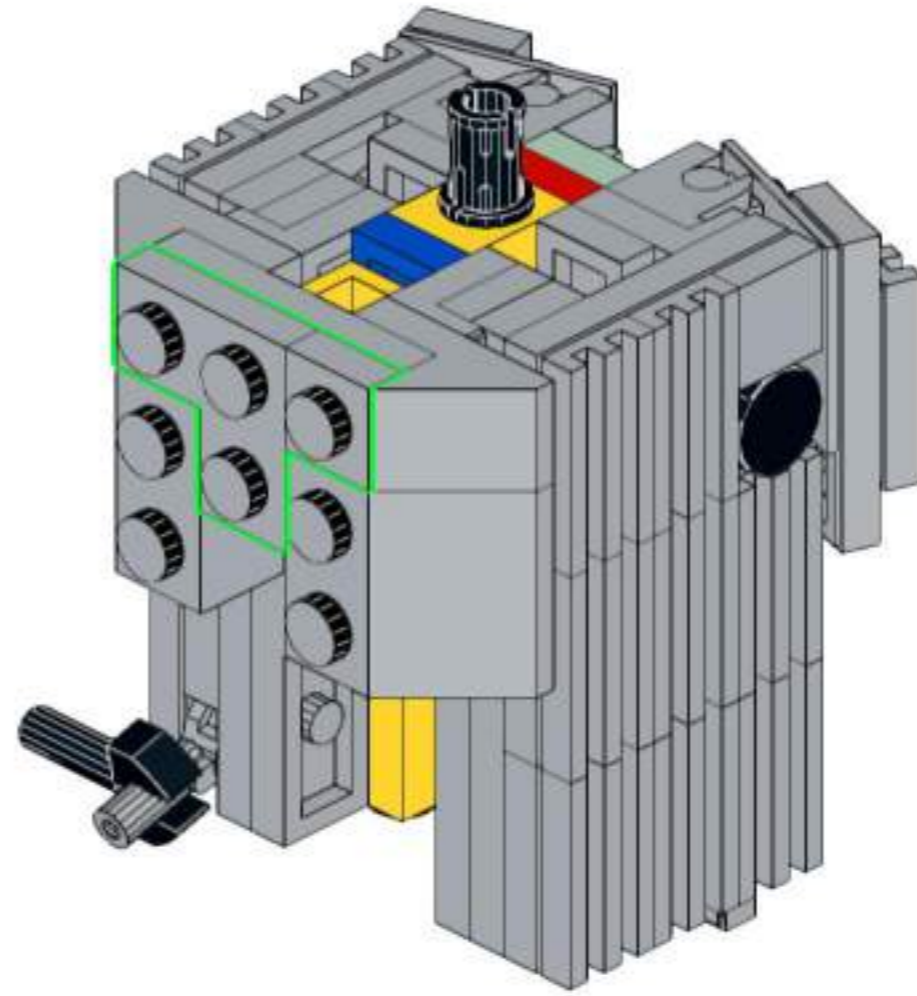
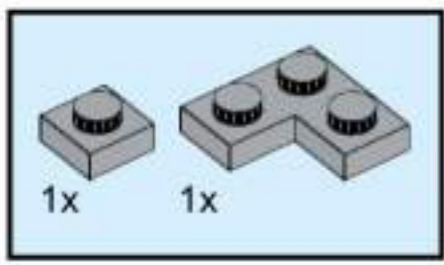
92



93

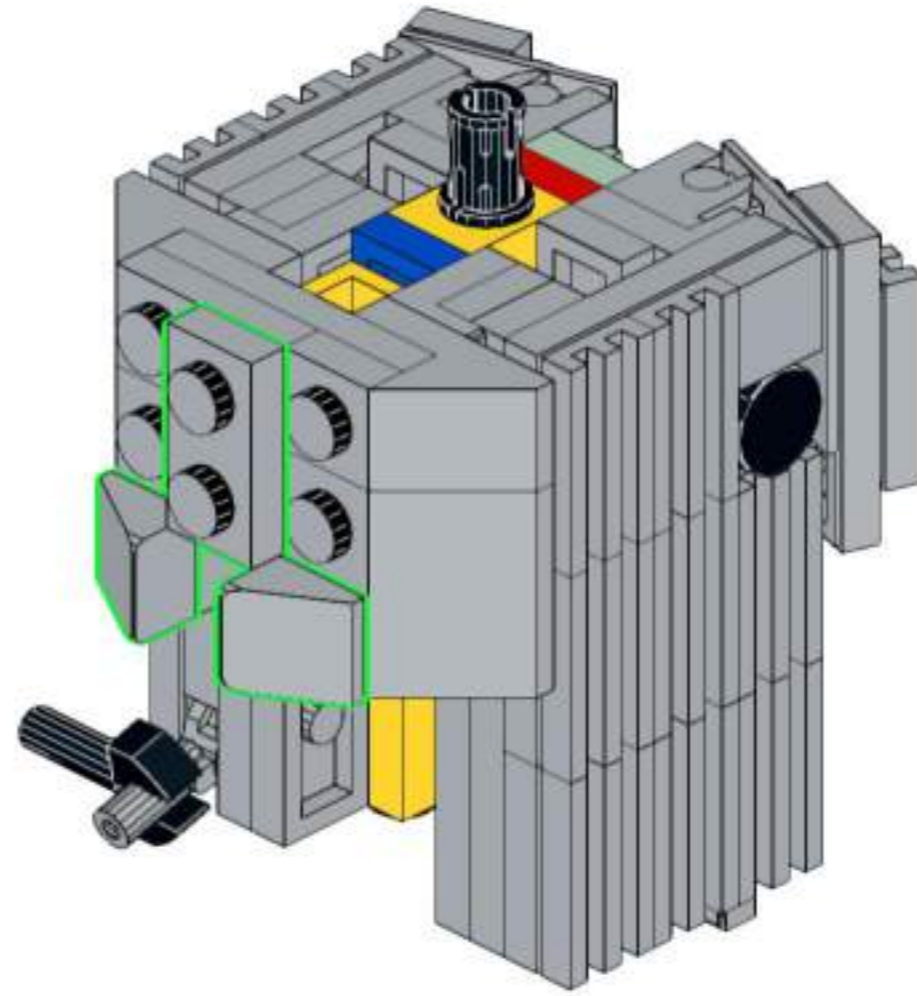
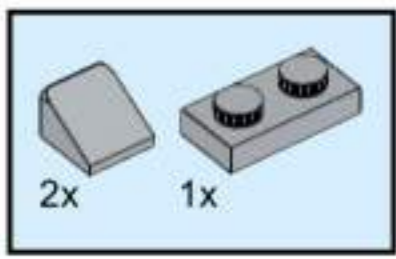


94

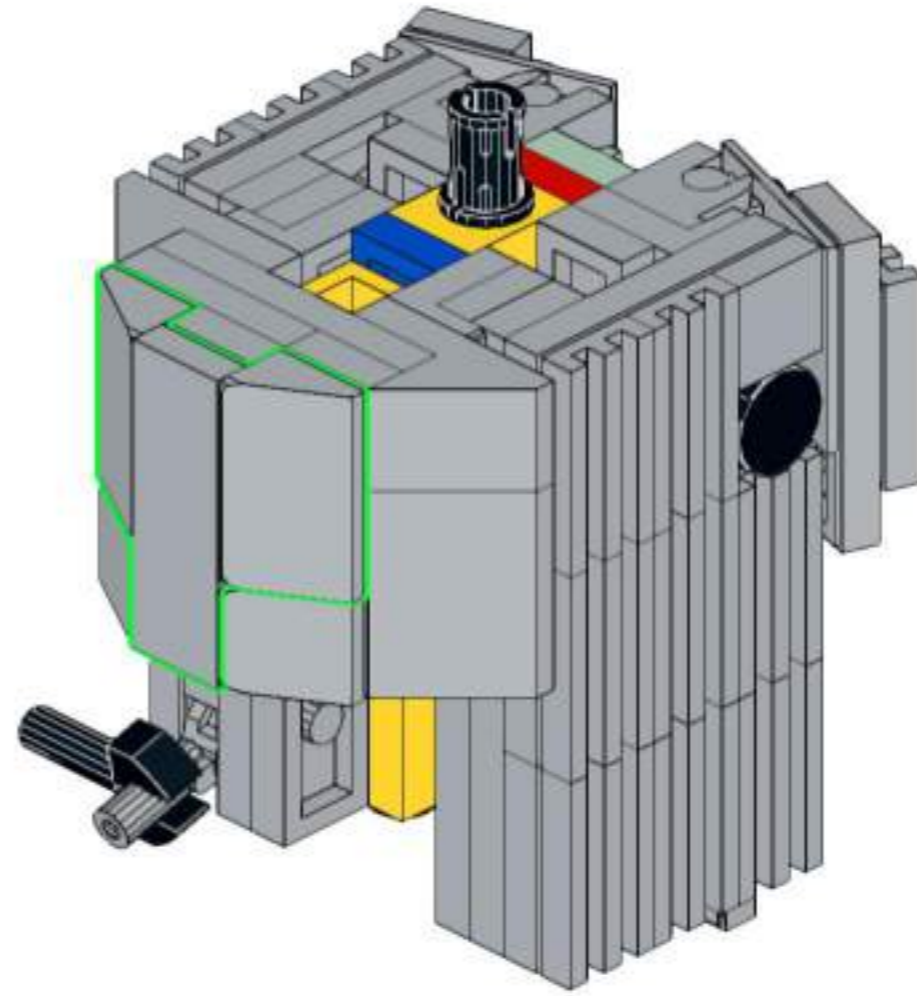
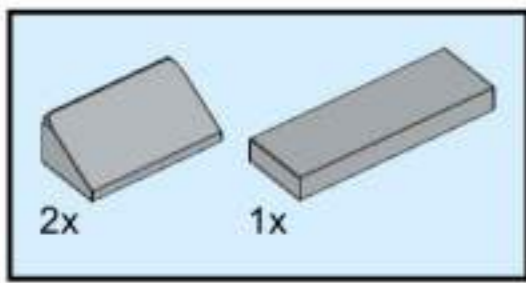




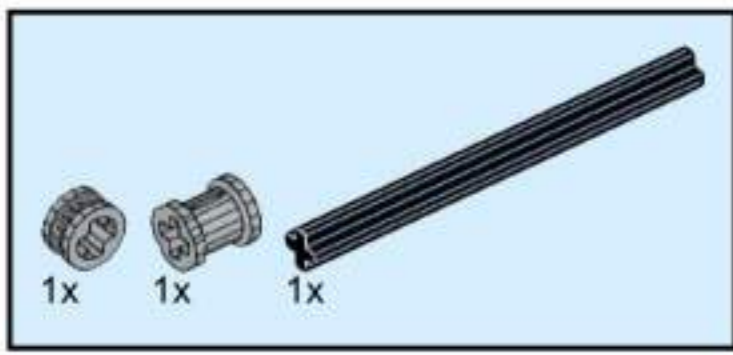
# 95



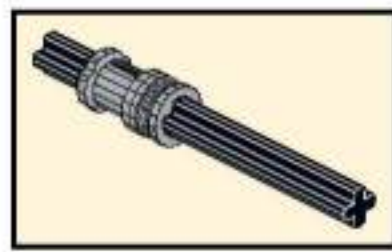
96



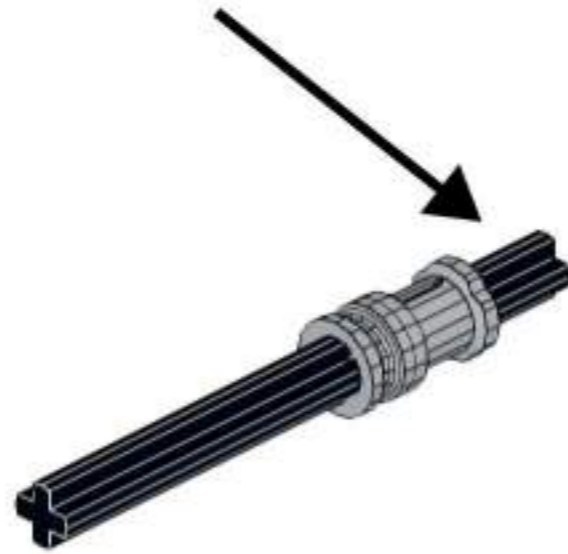
# 97

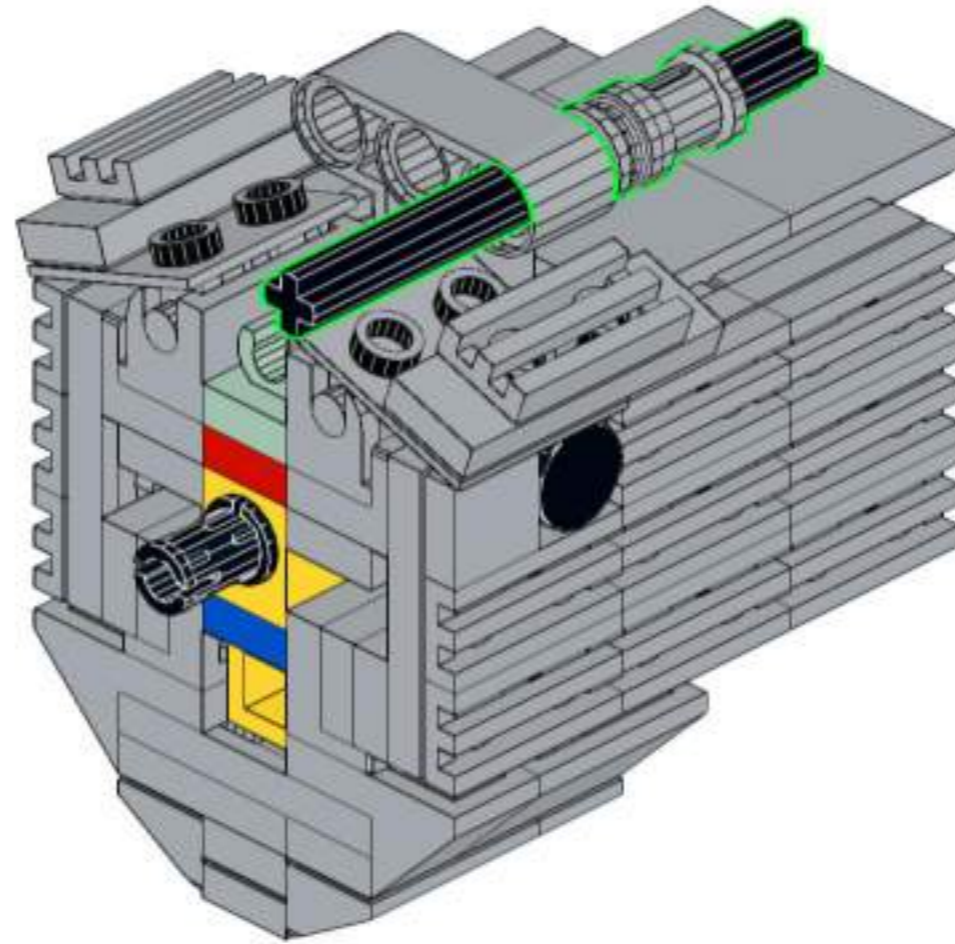


48 mm ca



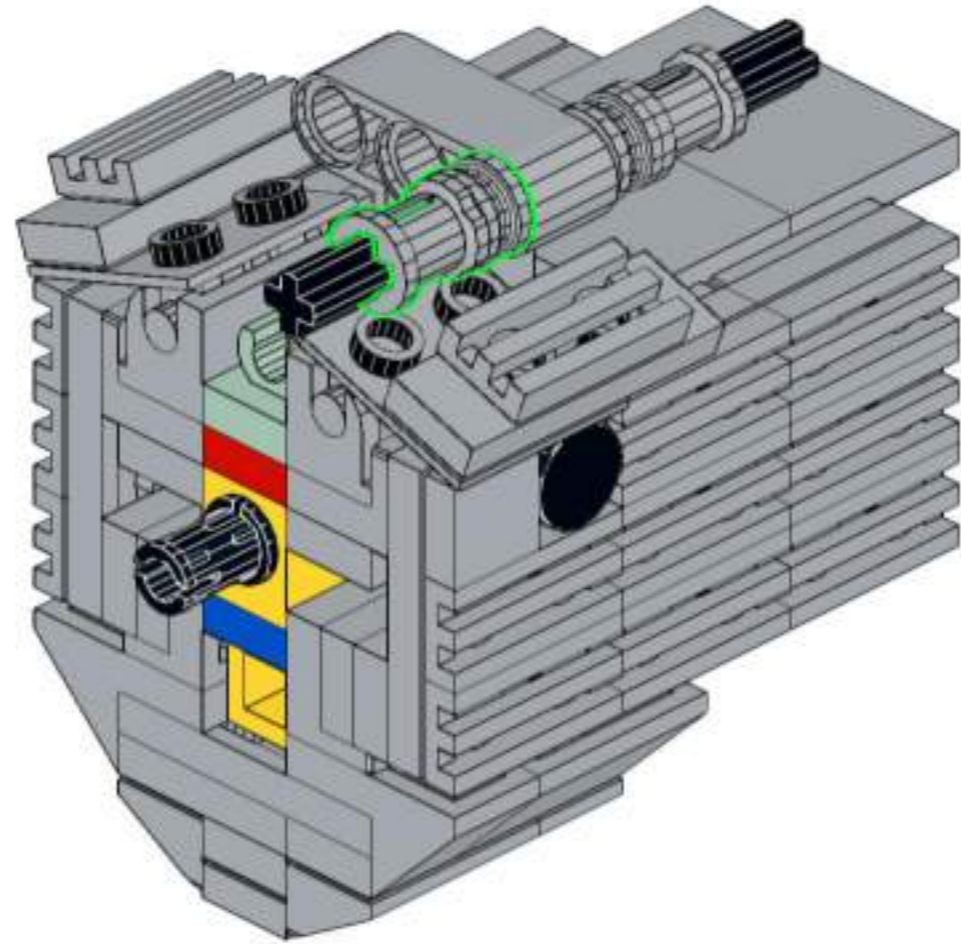
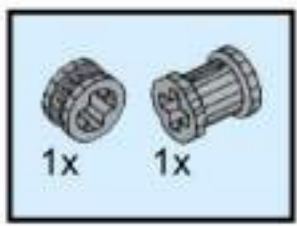
Leave 8 mm  
clean shaft



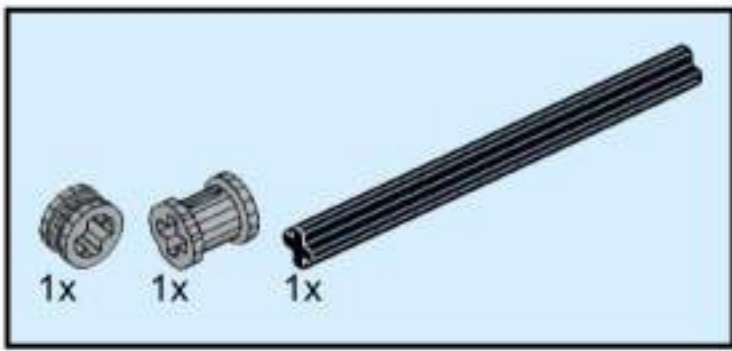




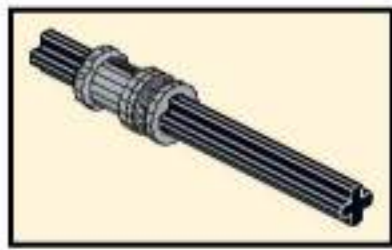
99



# 100



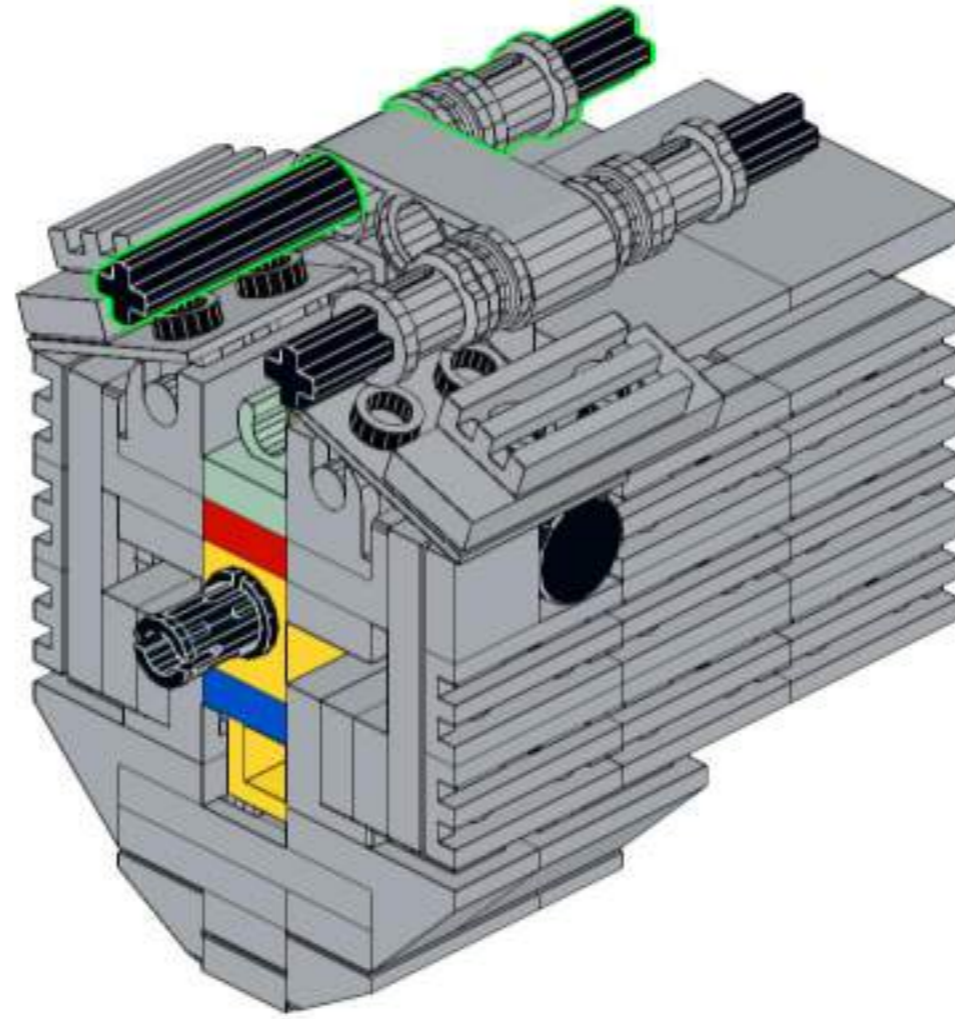
48 mm ca



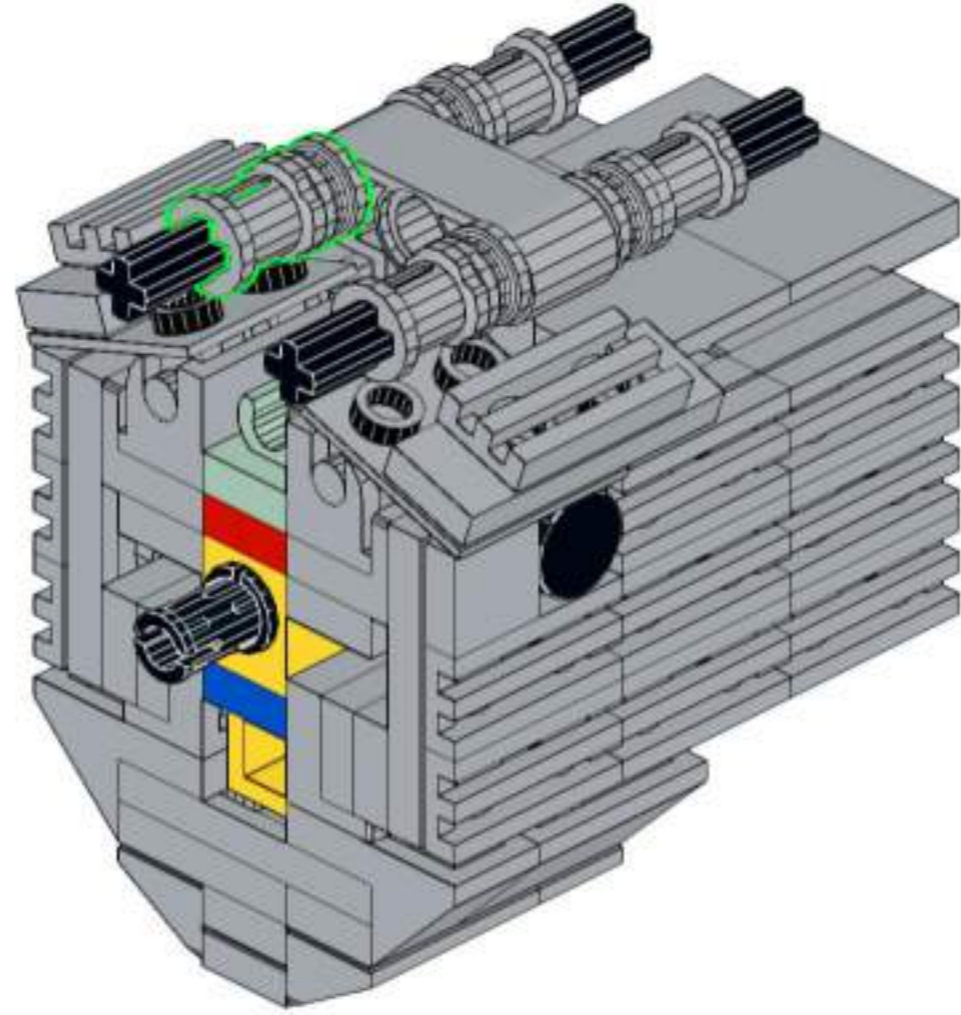
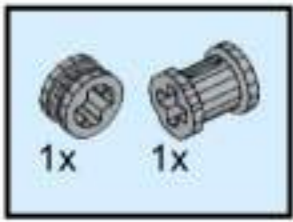
Leave 8 mm  
clean shaft



101

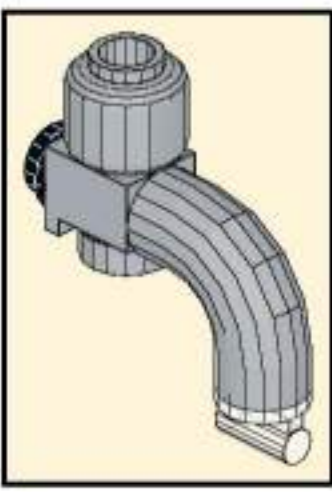


# 102

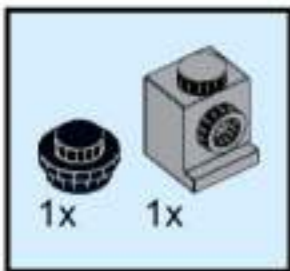




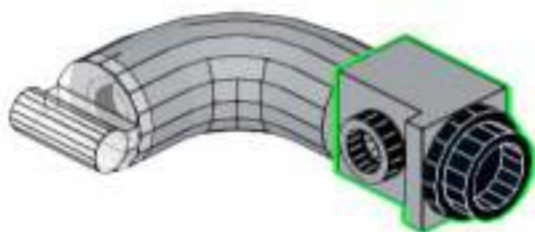
# 103



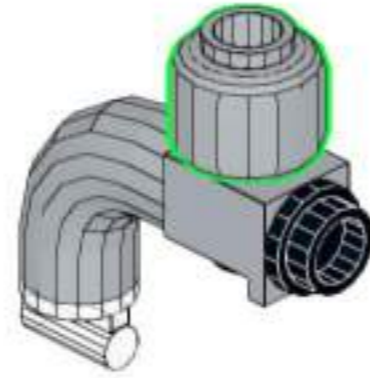
# 104



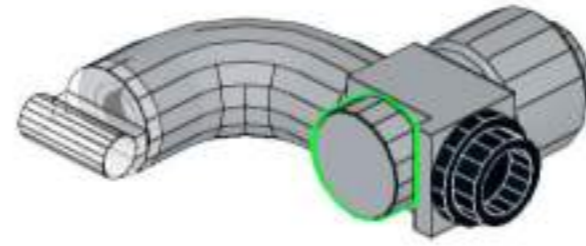
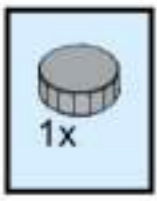
Piece without  
hole



# 105

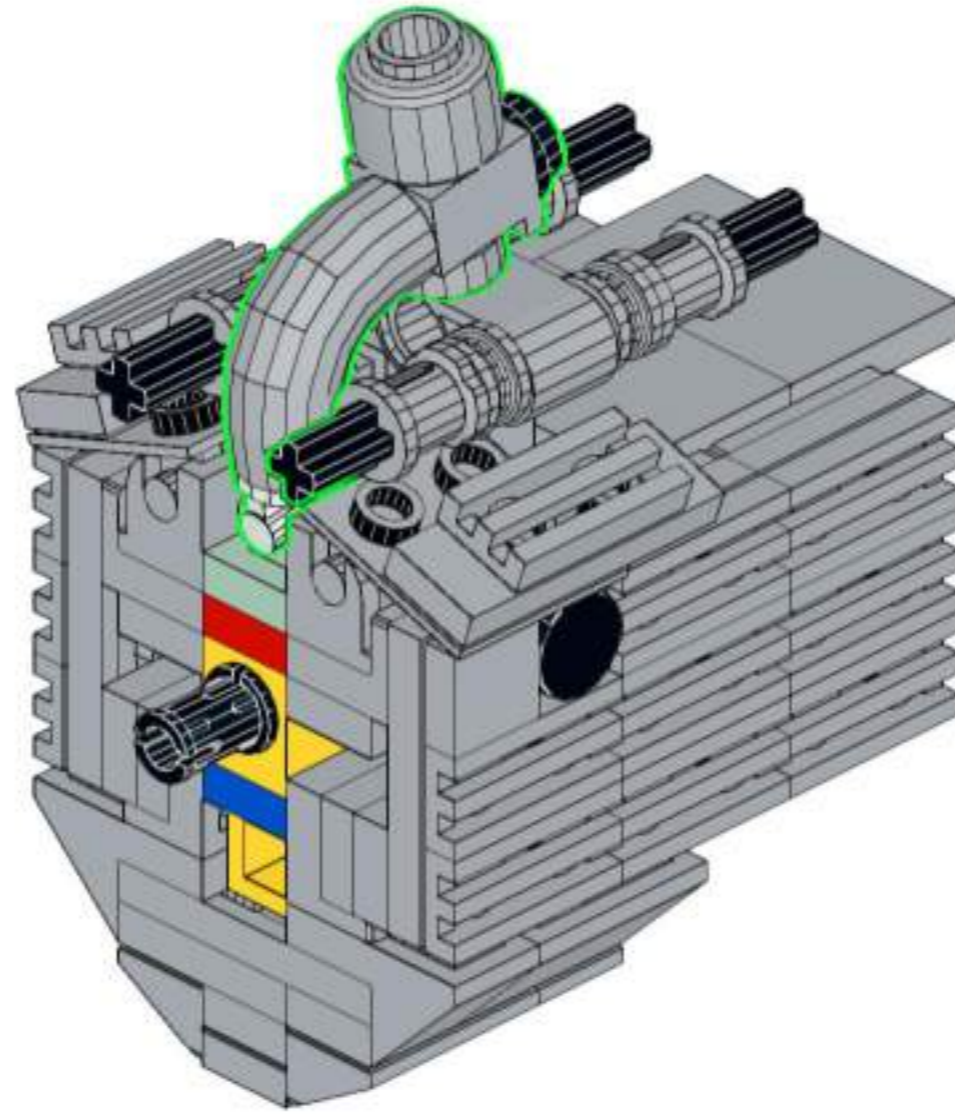


106

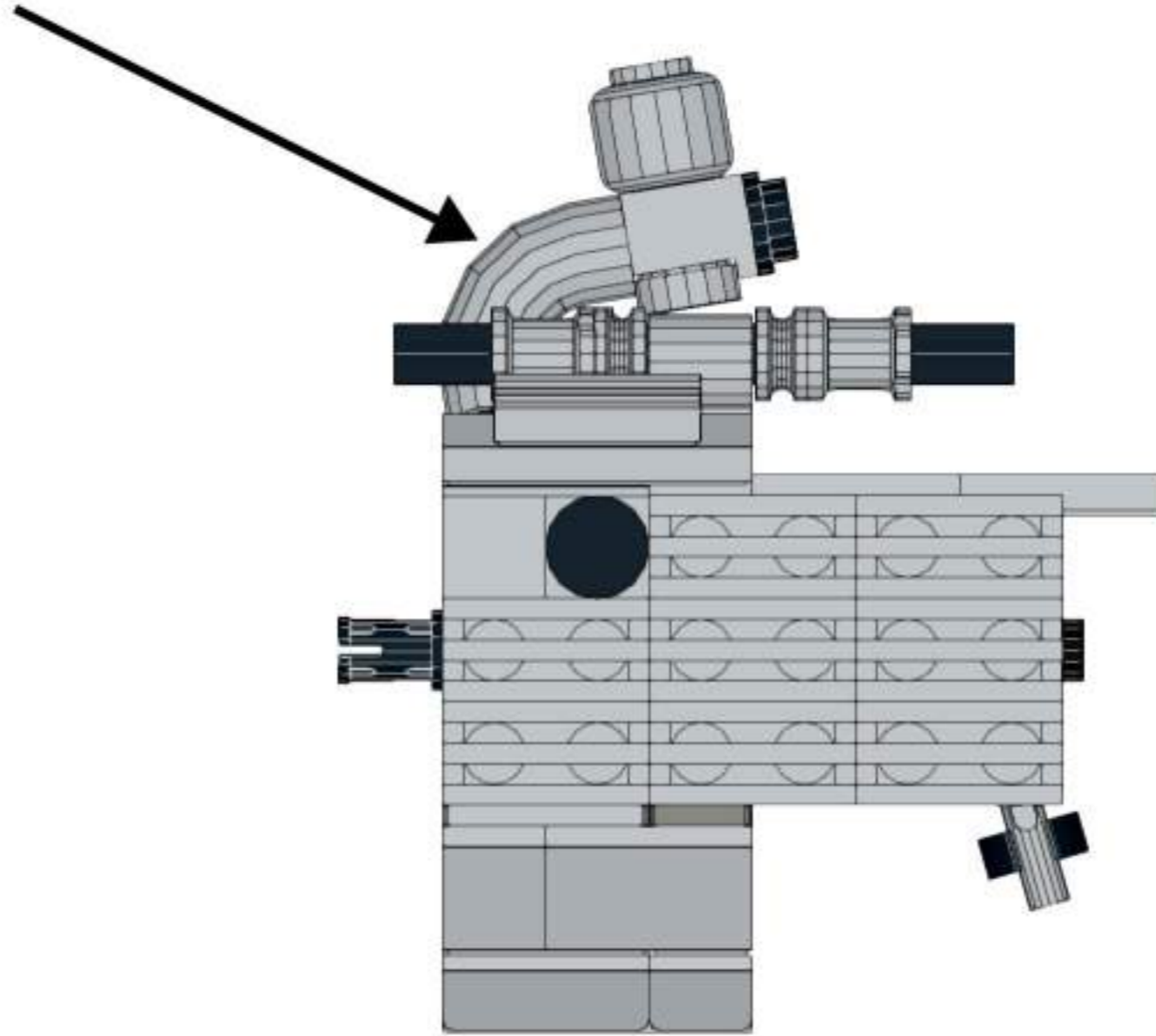




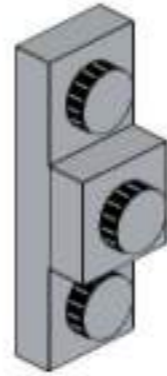
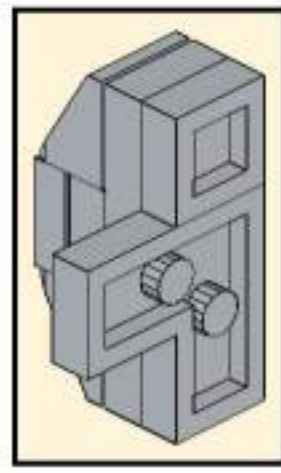
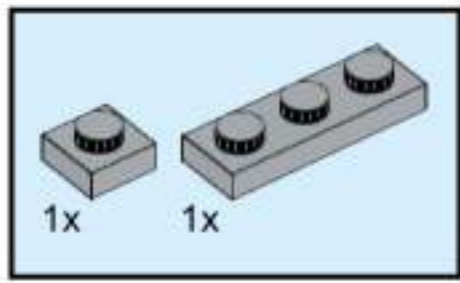
107



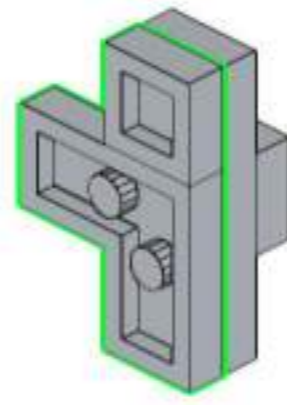
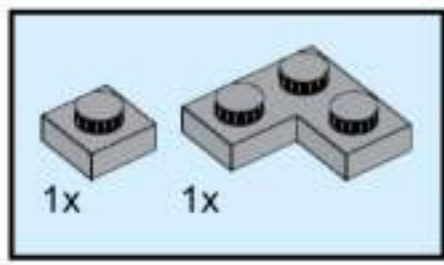
Check to make sure it is installed with this angle



# 109

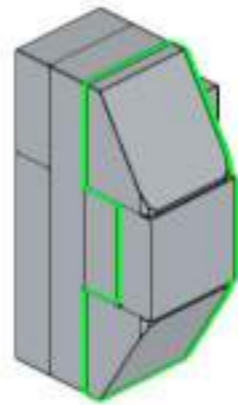
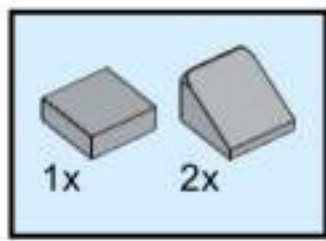


# 110

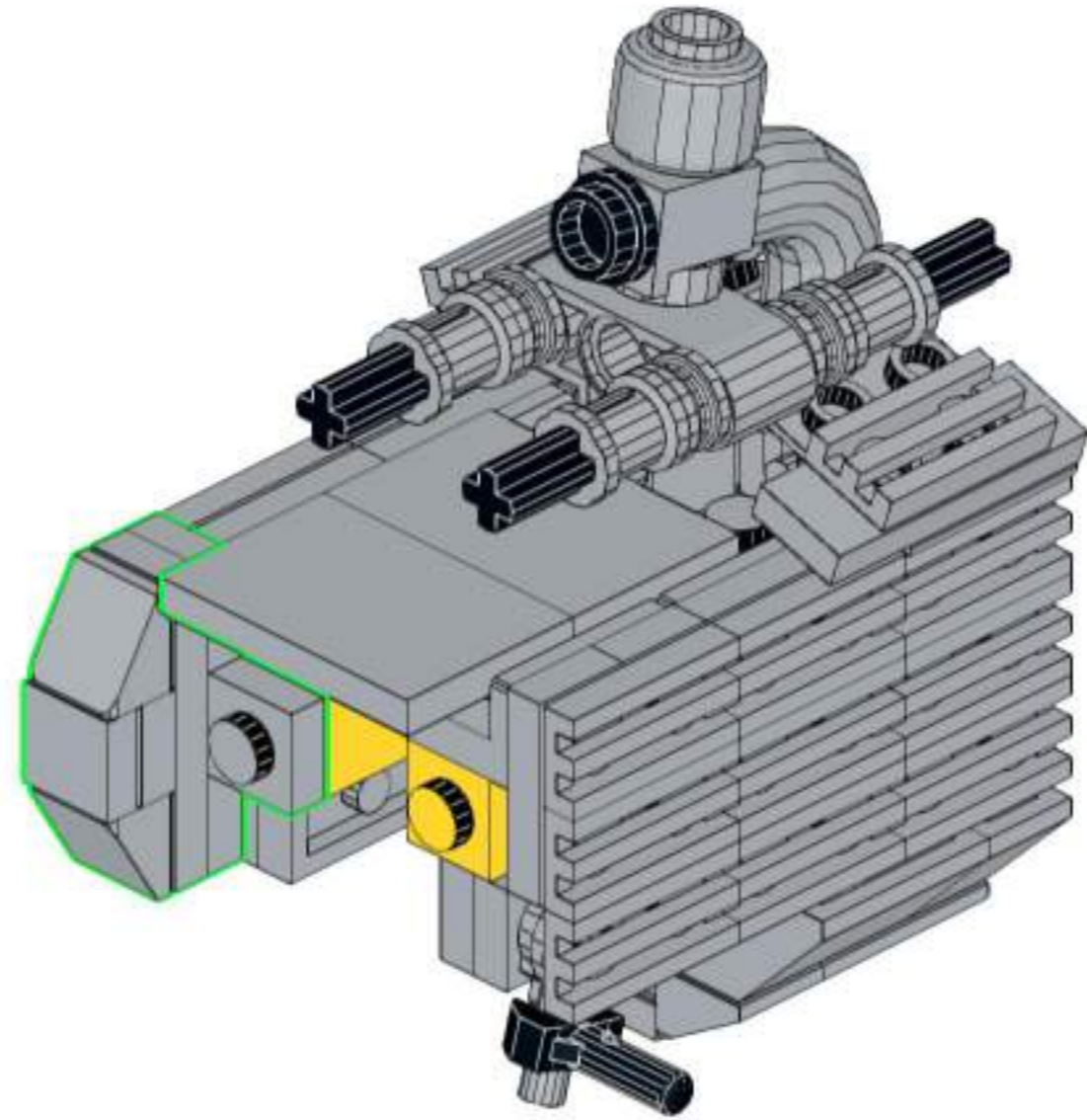




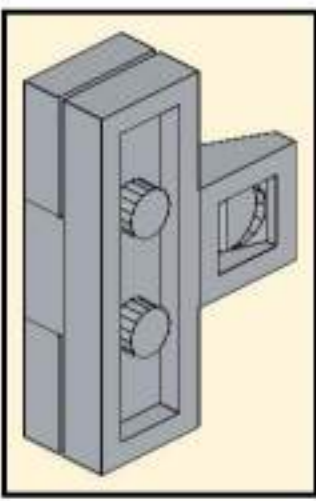
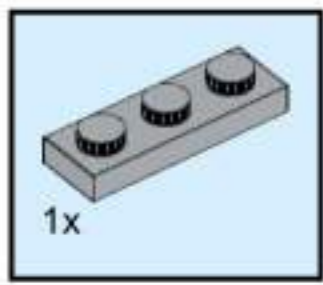
111



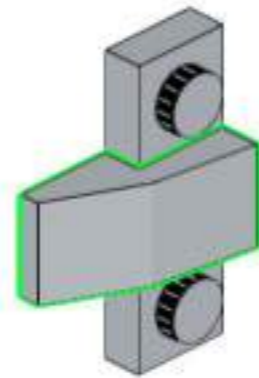
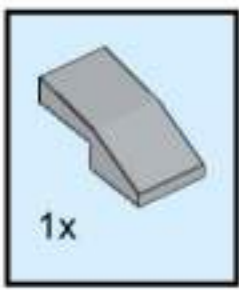
112



113

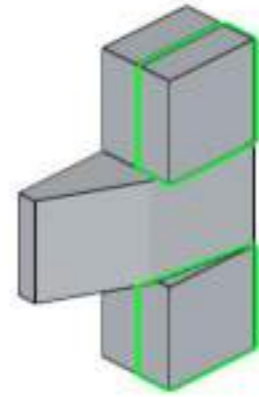
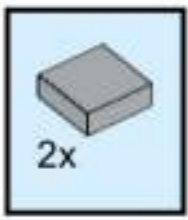


114

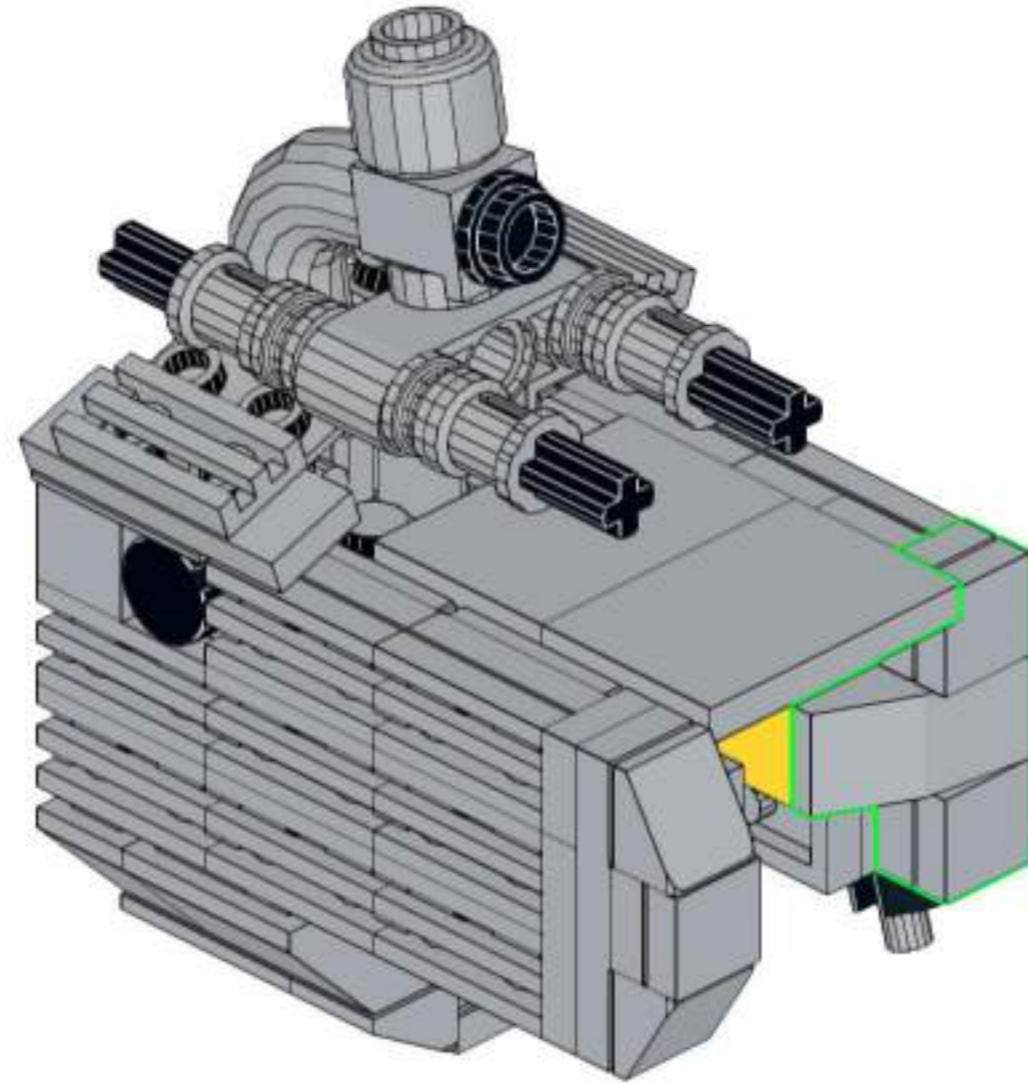


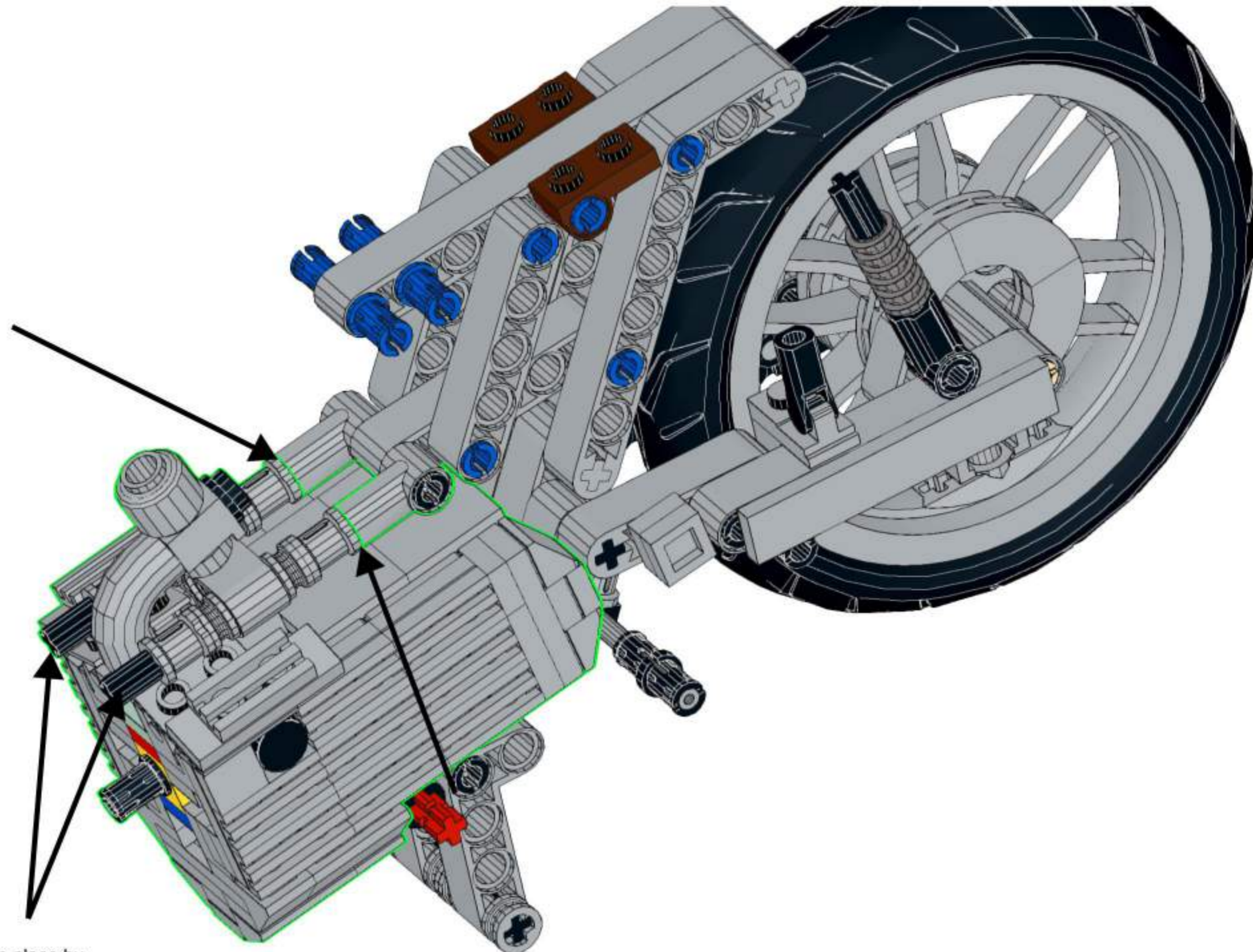


115



116

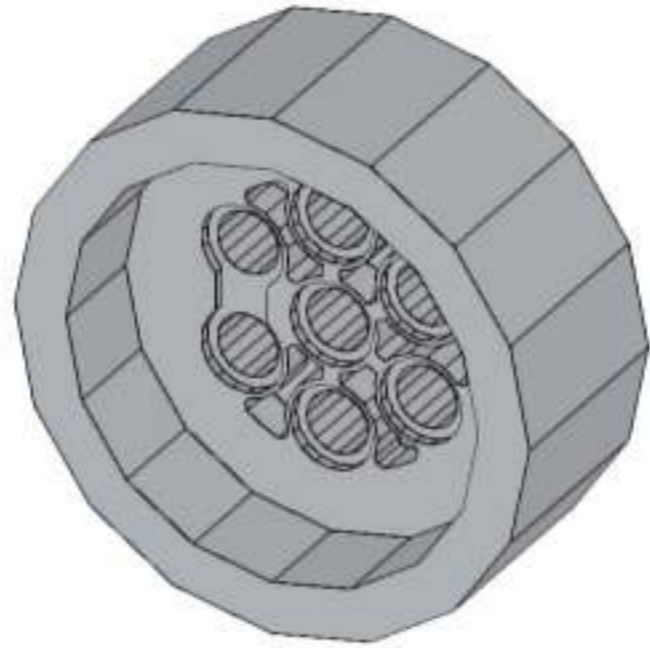
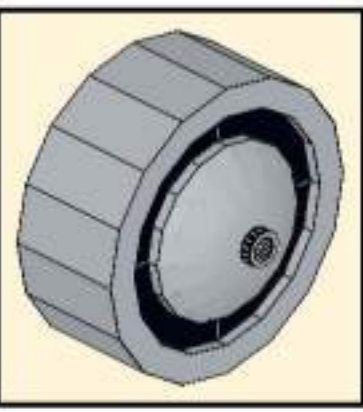
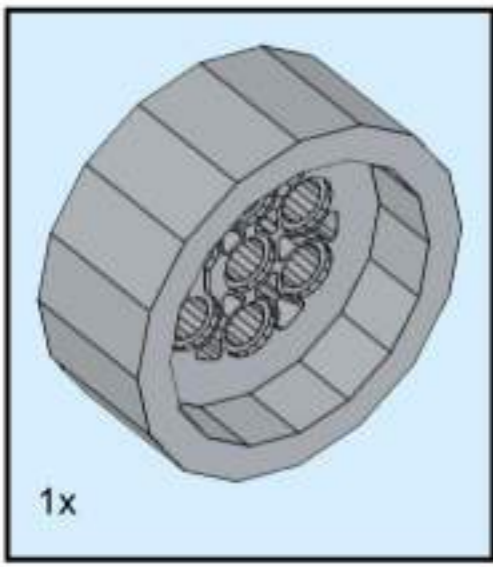




Push it in place by pressing the black shafts inwards

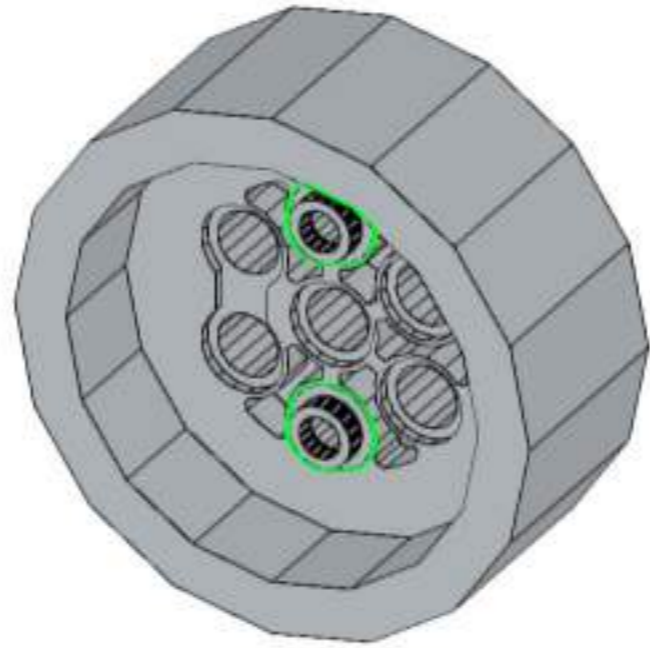


118

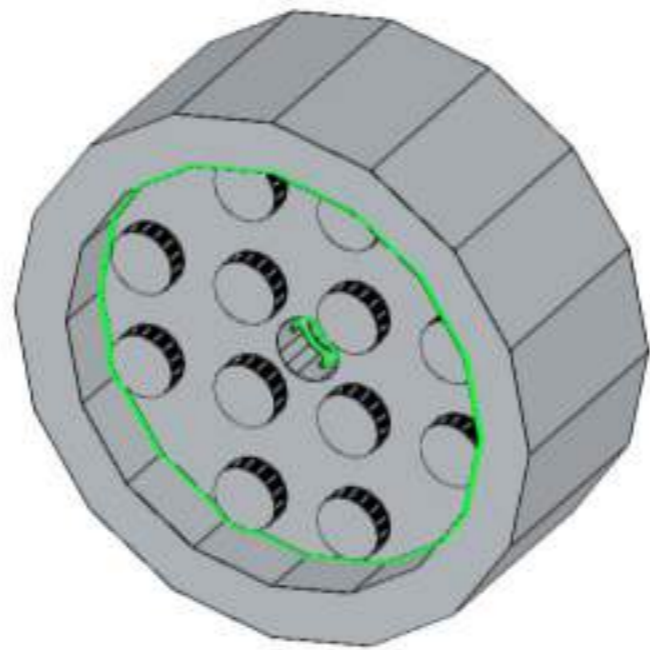
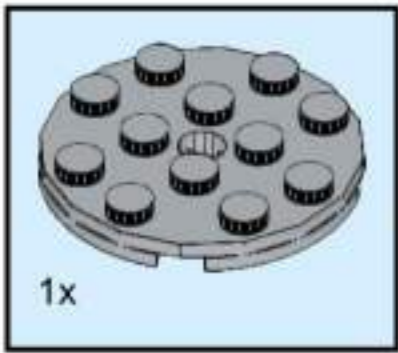




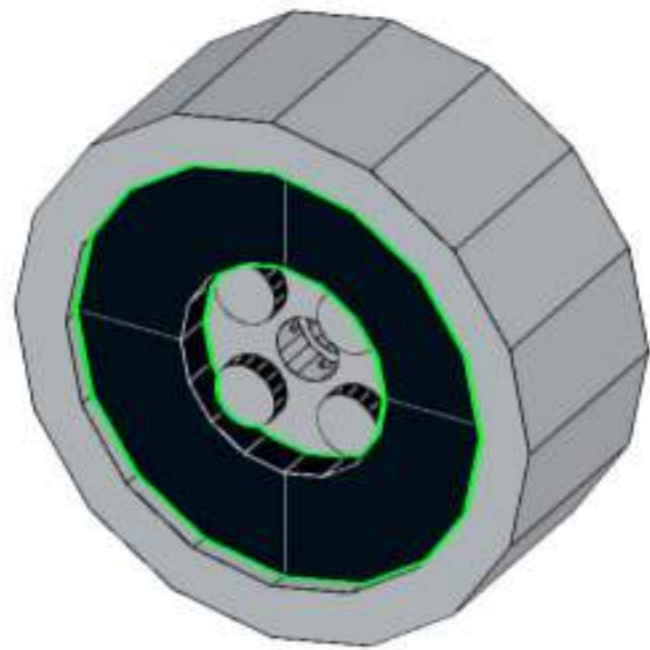
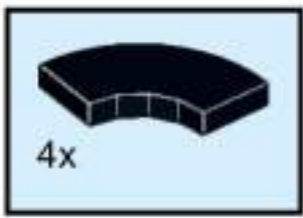
# 119



# 120



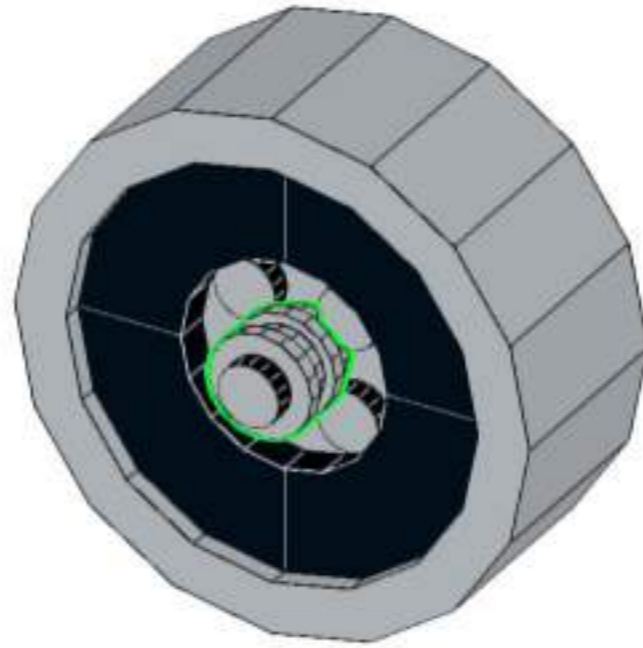
# 121



# 122



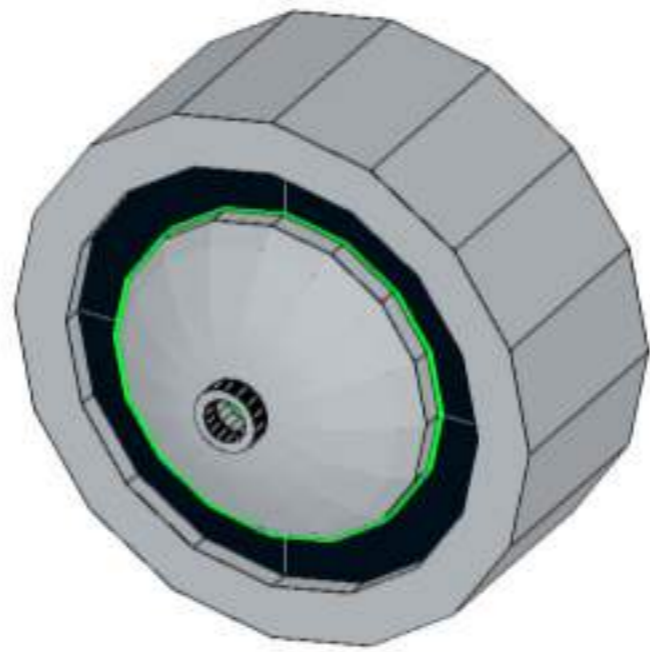
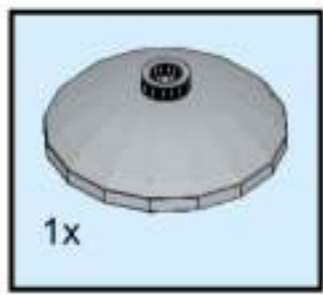
Pieces  
without holes

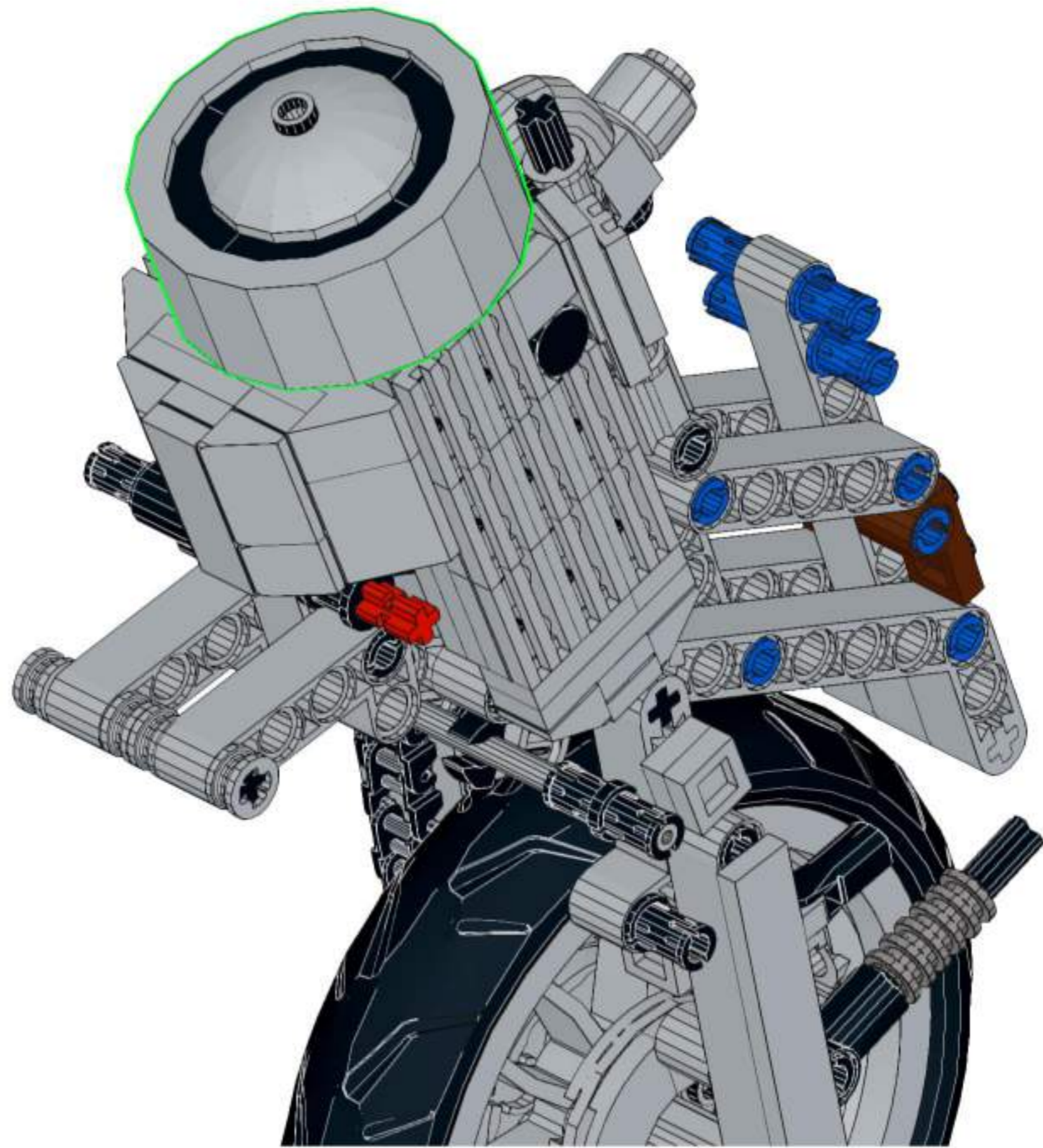


Tip: Put the  
pieces  
together first



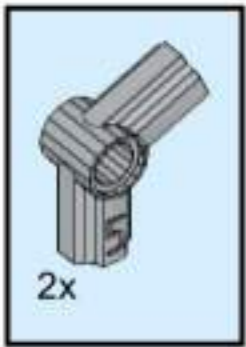
123



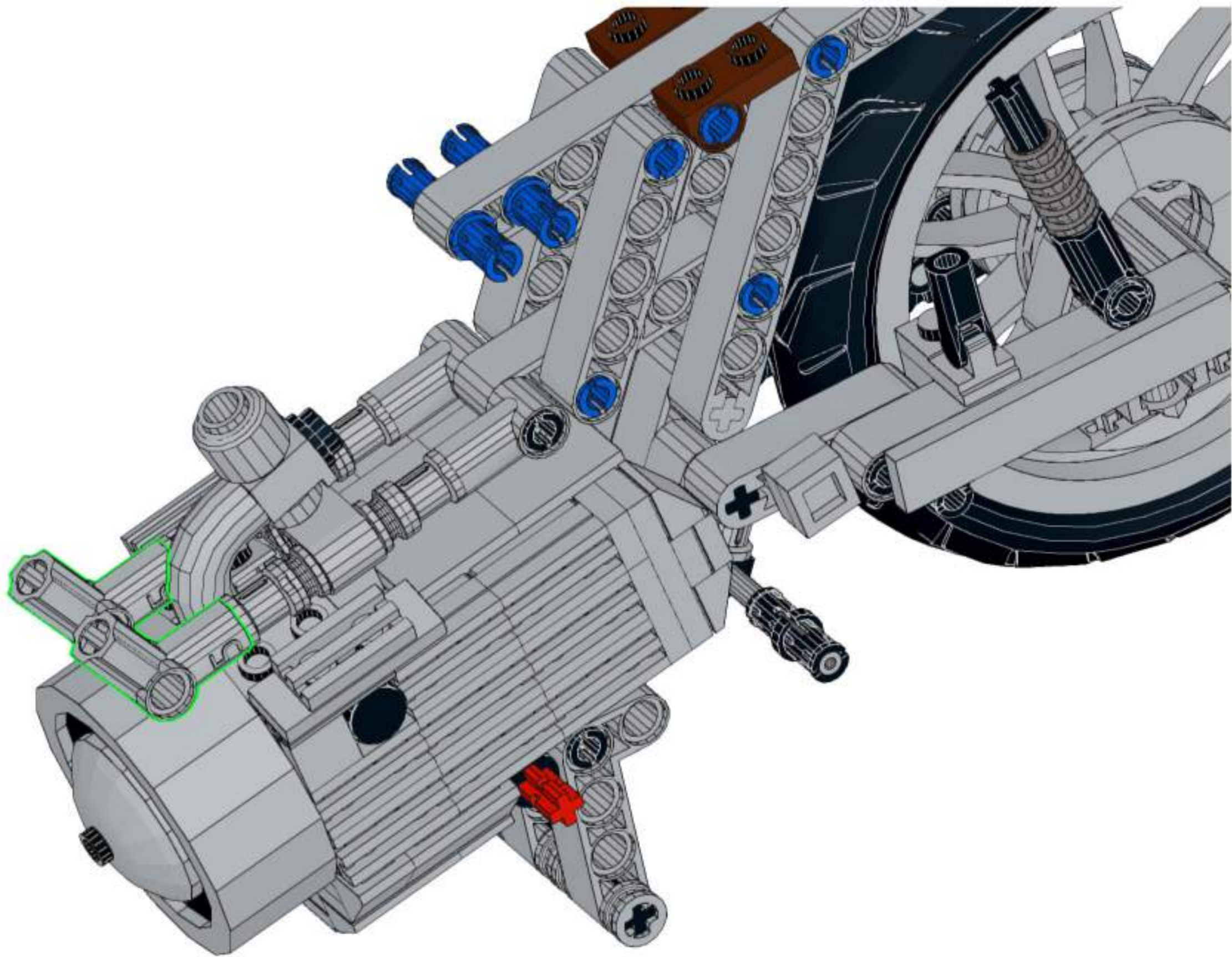




# 125

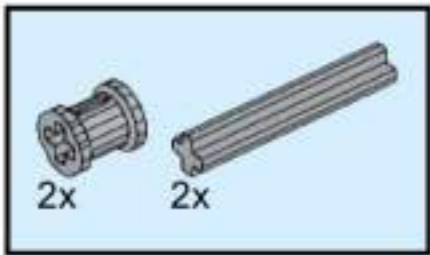


NR 5  
(check number on piece)

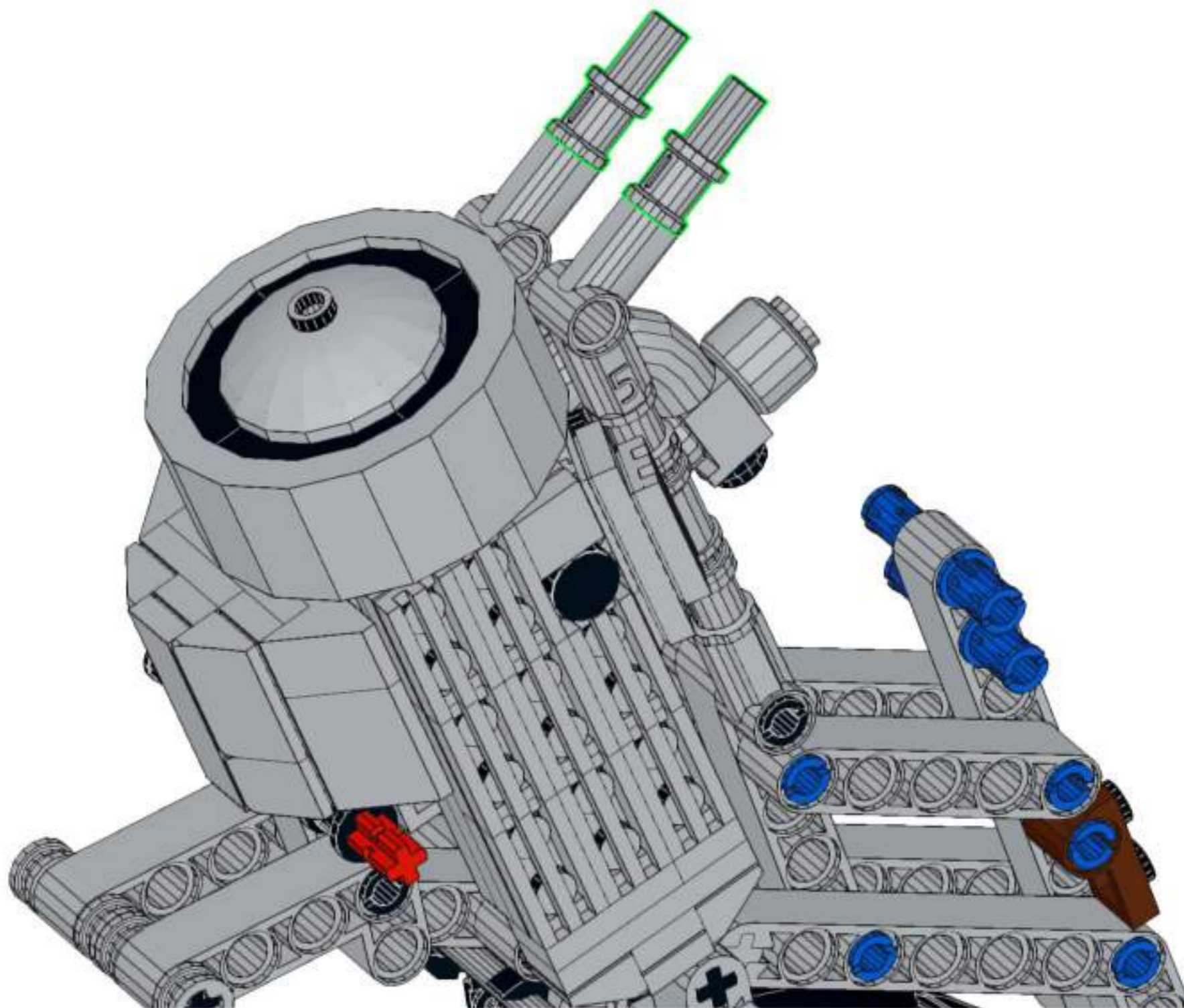




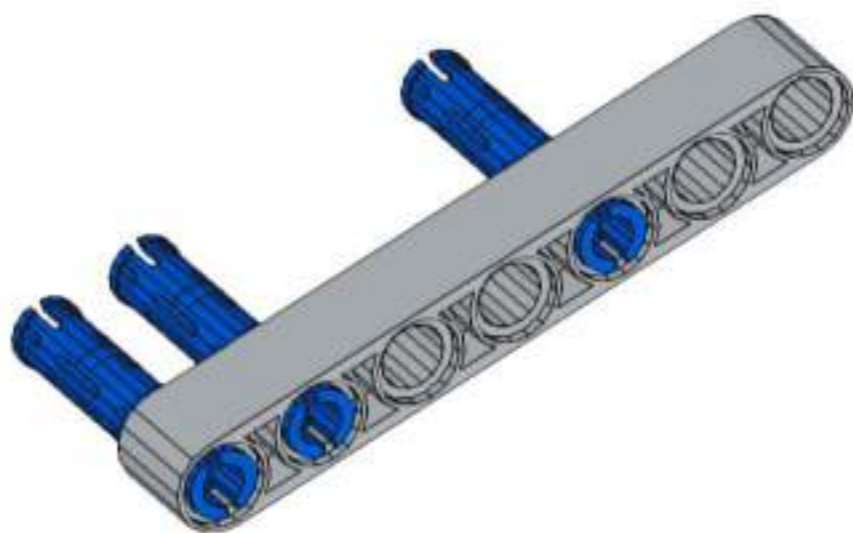
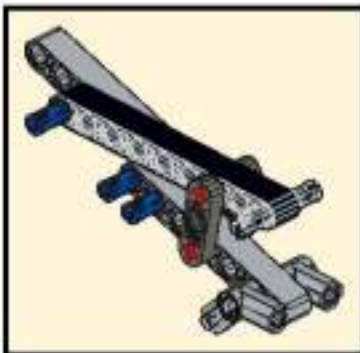
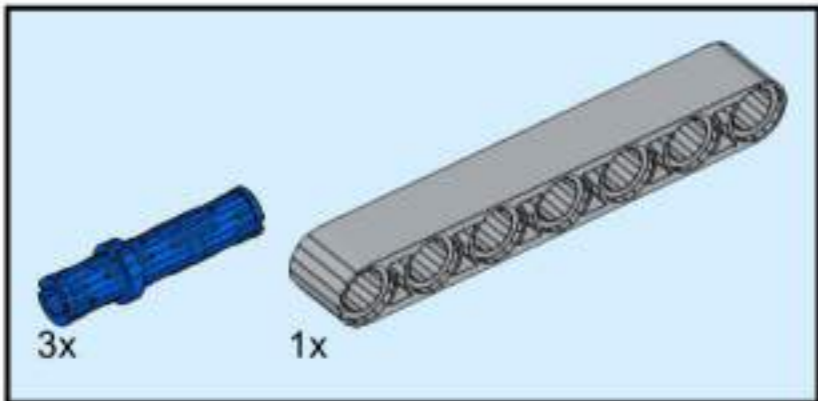
# 126



24 mm ca

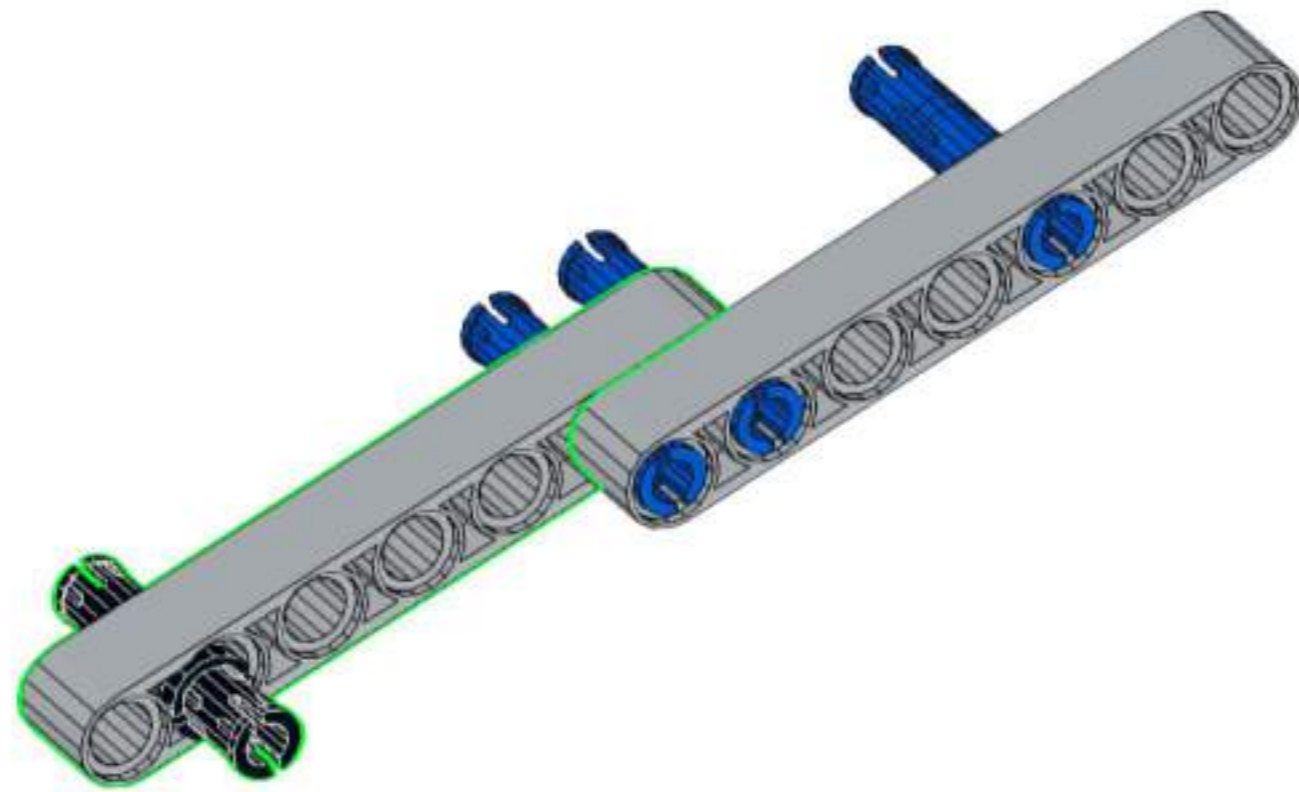
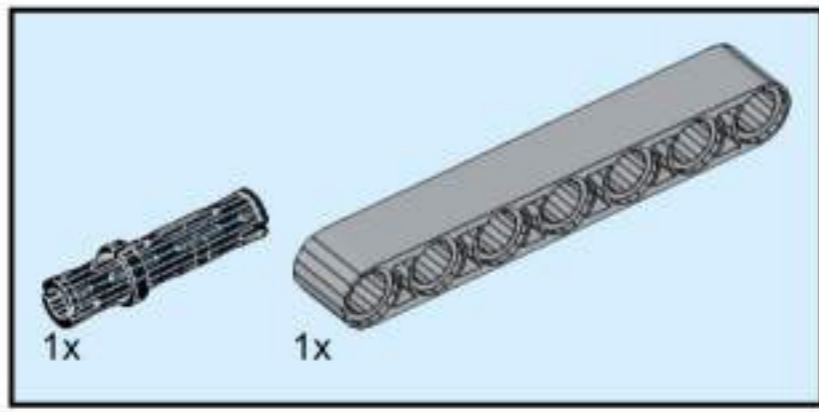


# 127





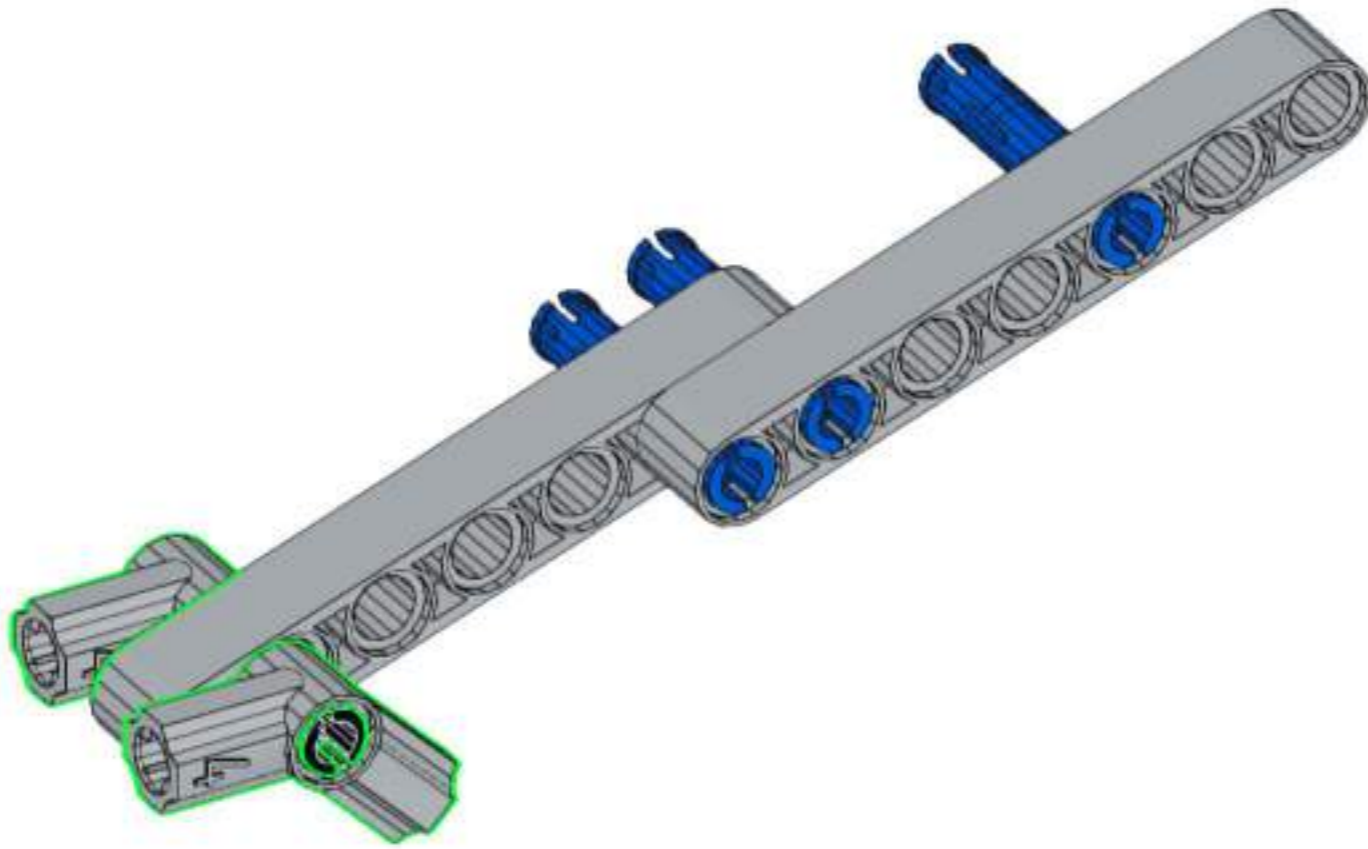
# 128



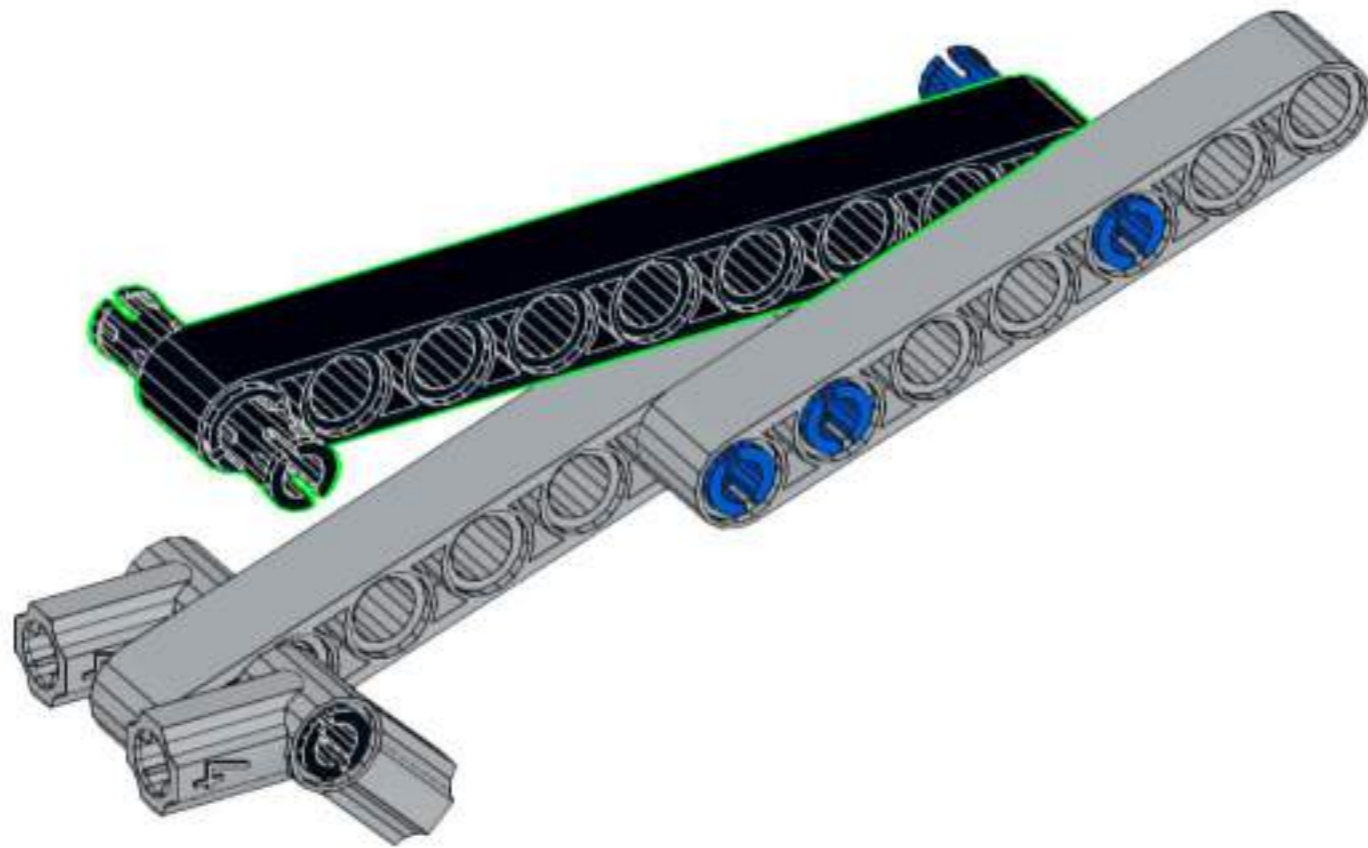
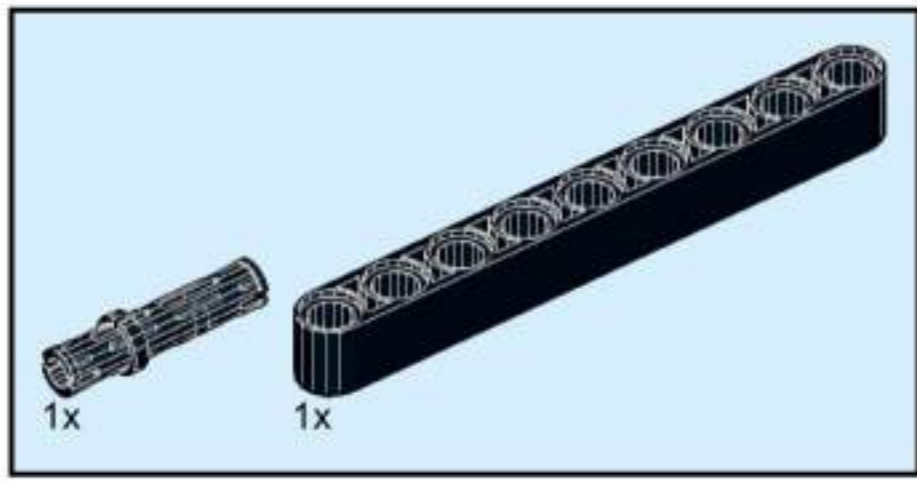
# 129



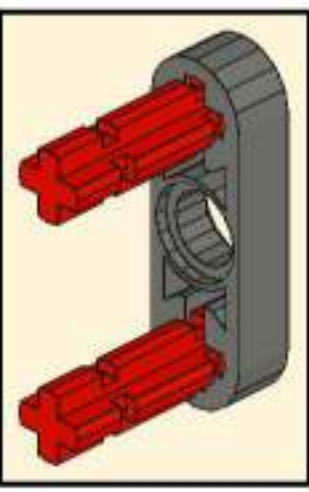
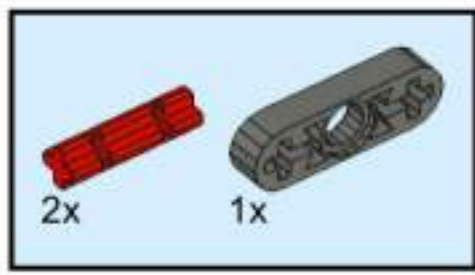
NR 4  
(Check number on piece)



# 130

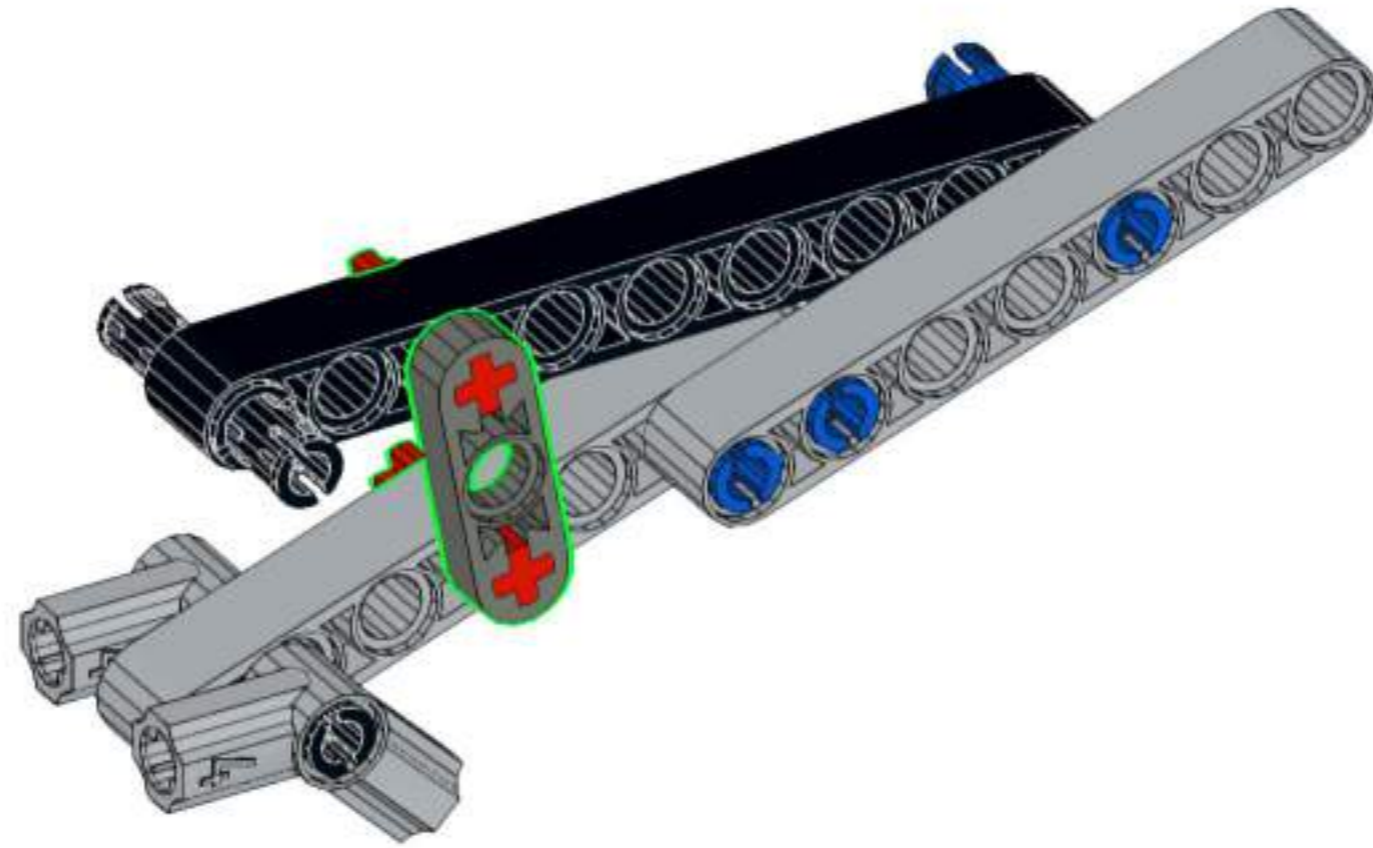


# 131

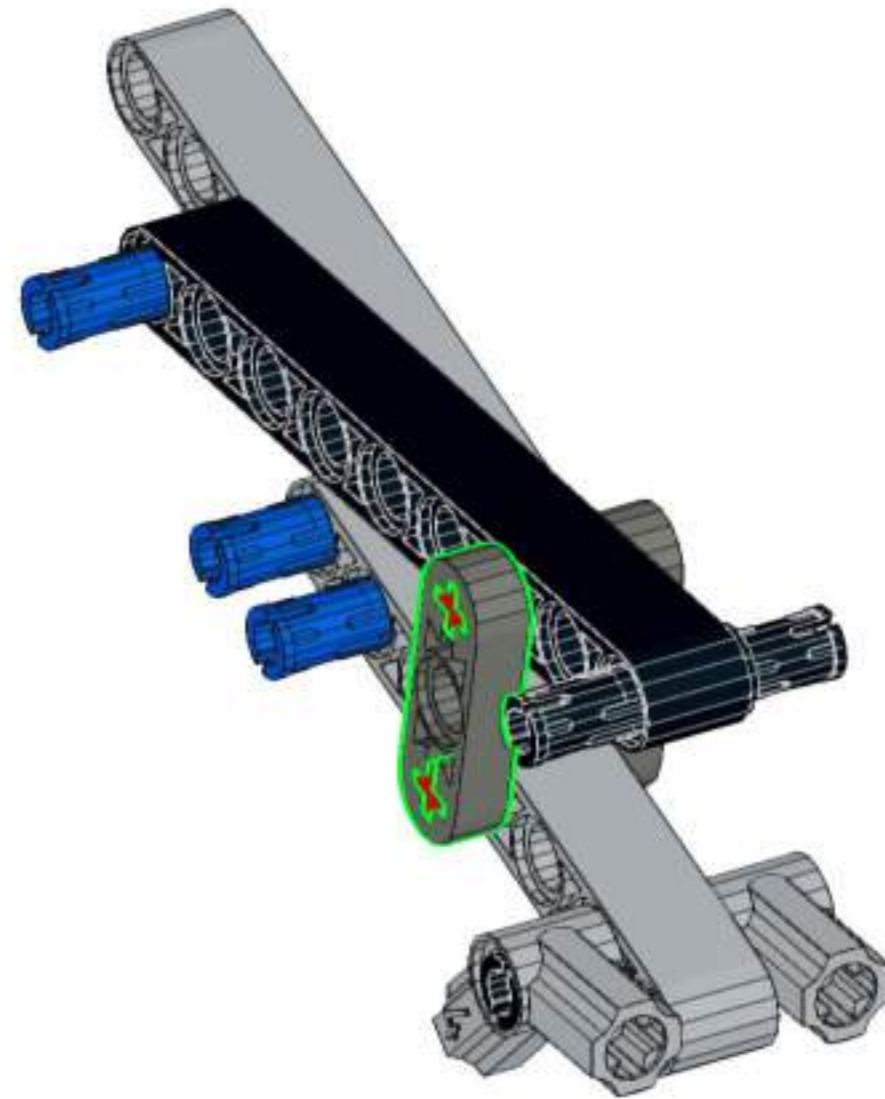
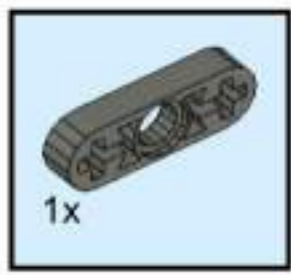


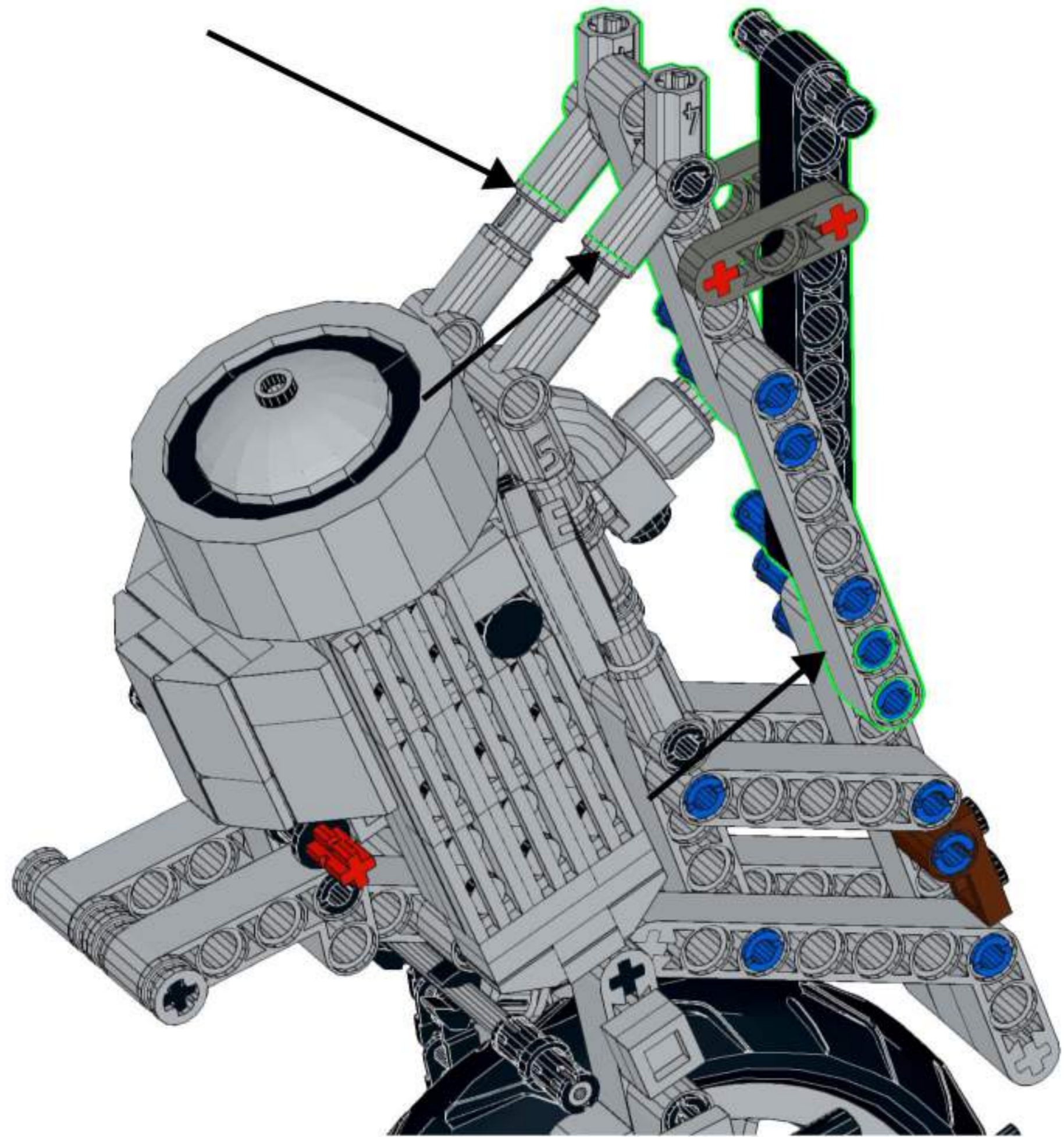


132



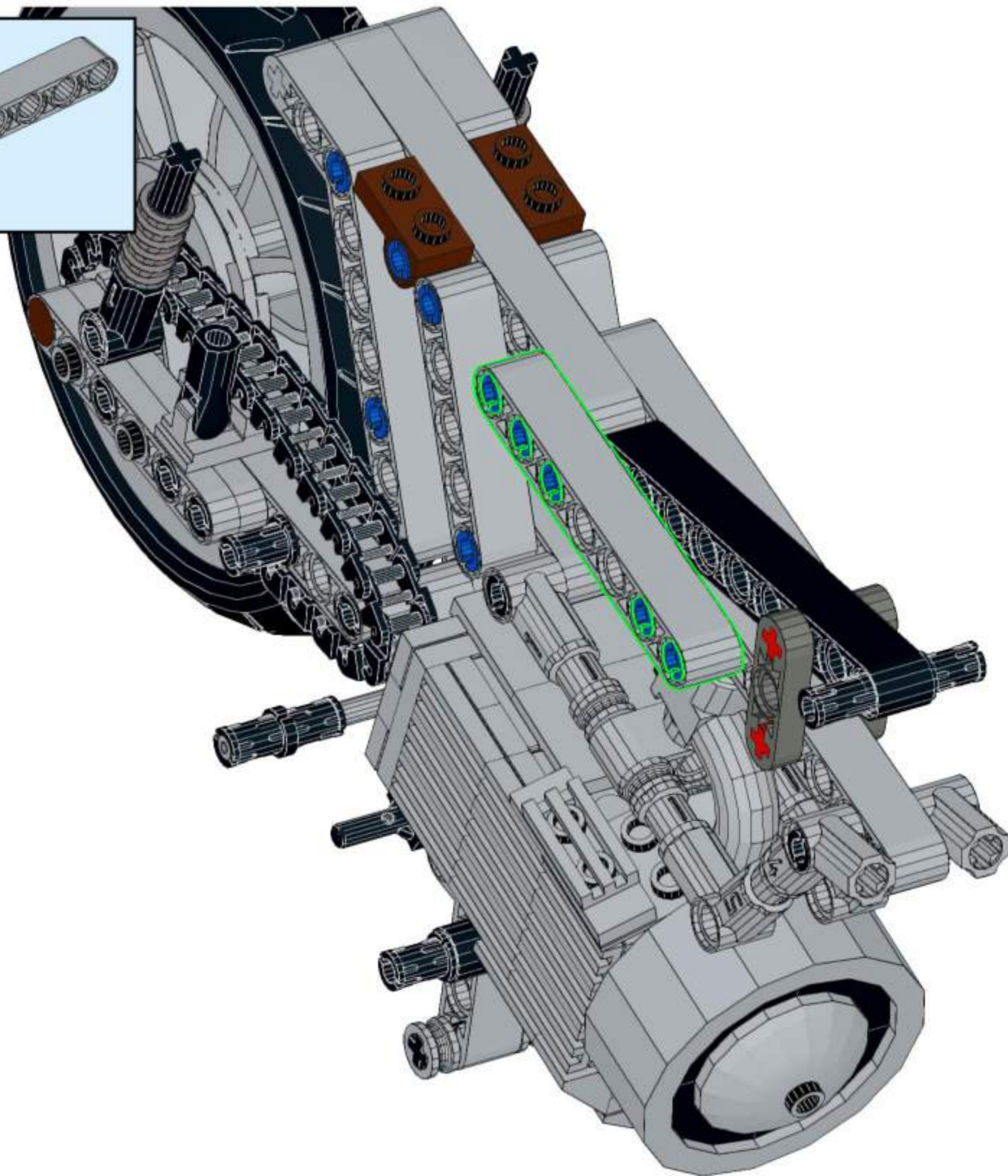
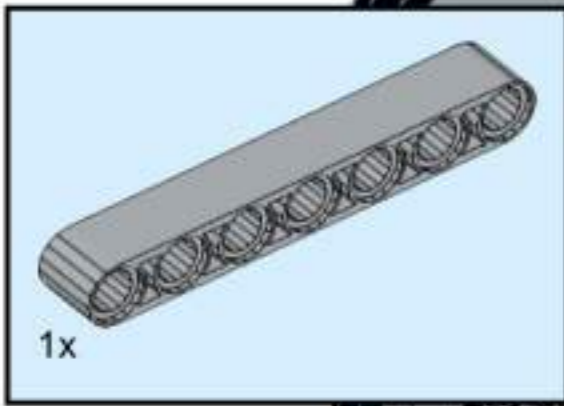
# 133





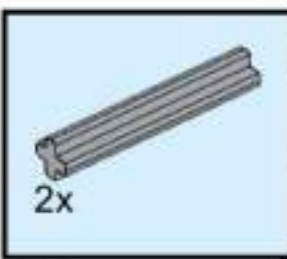


135



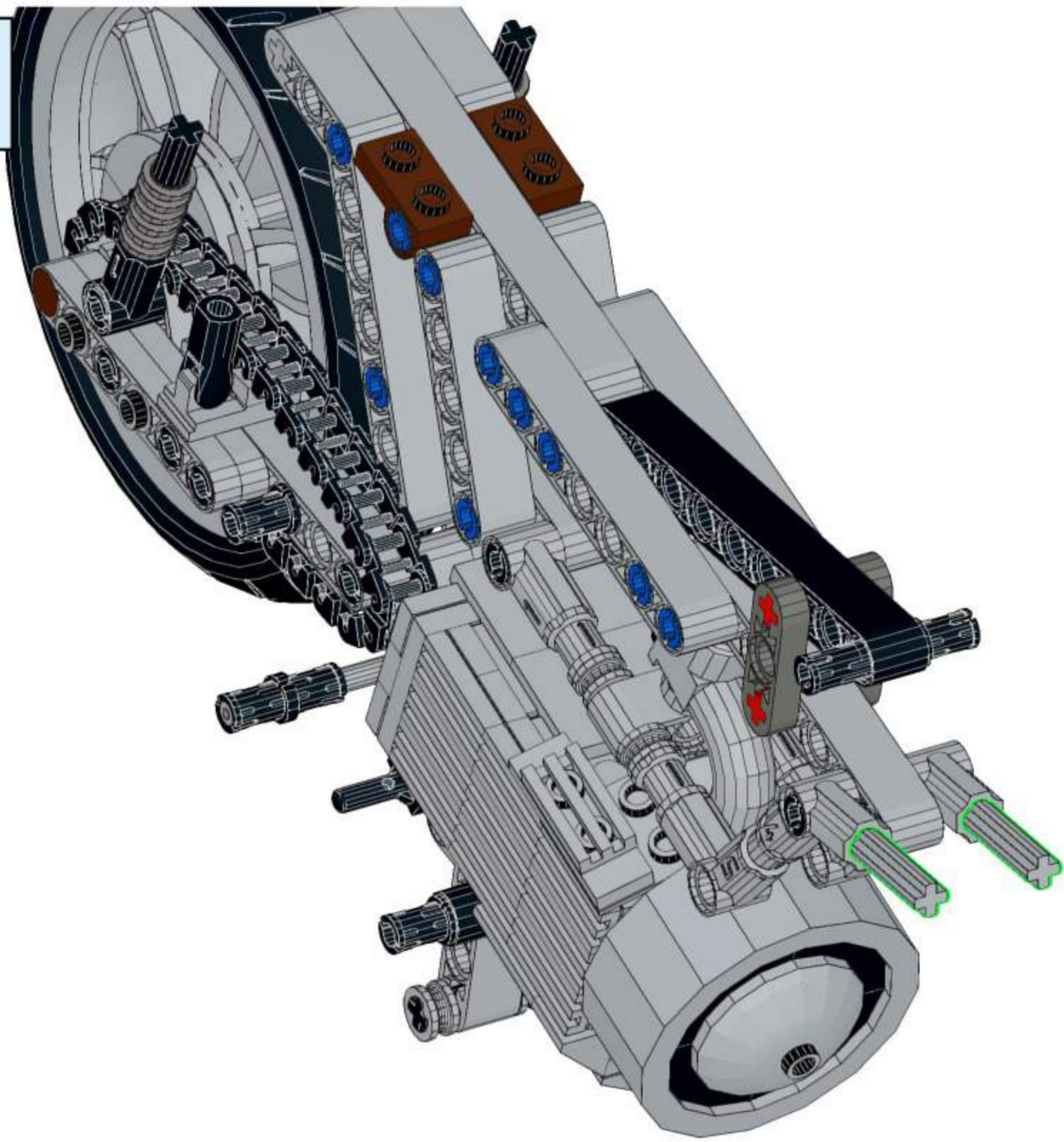


# 136



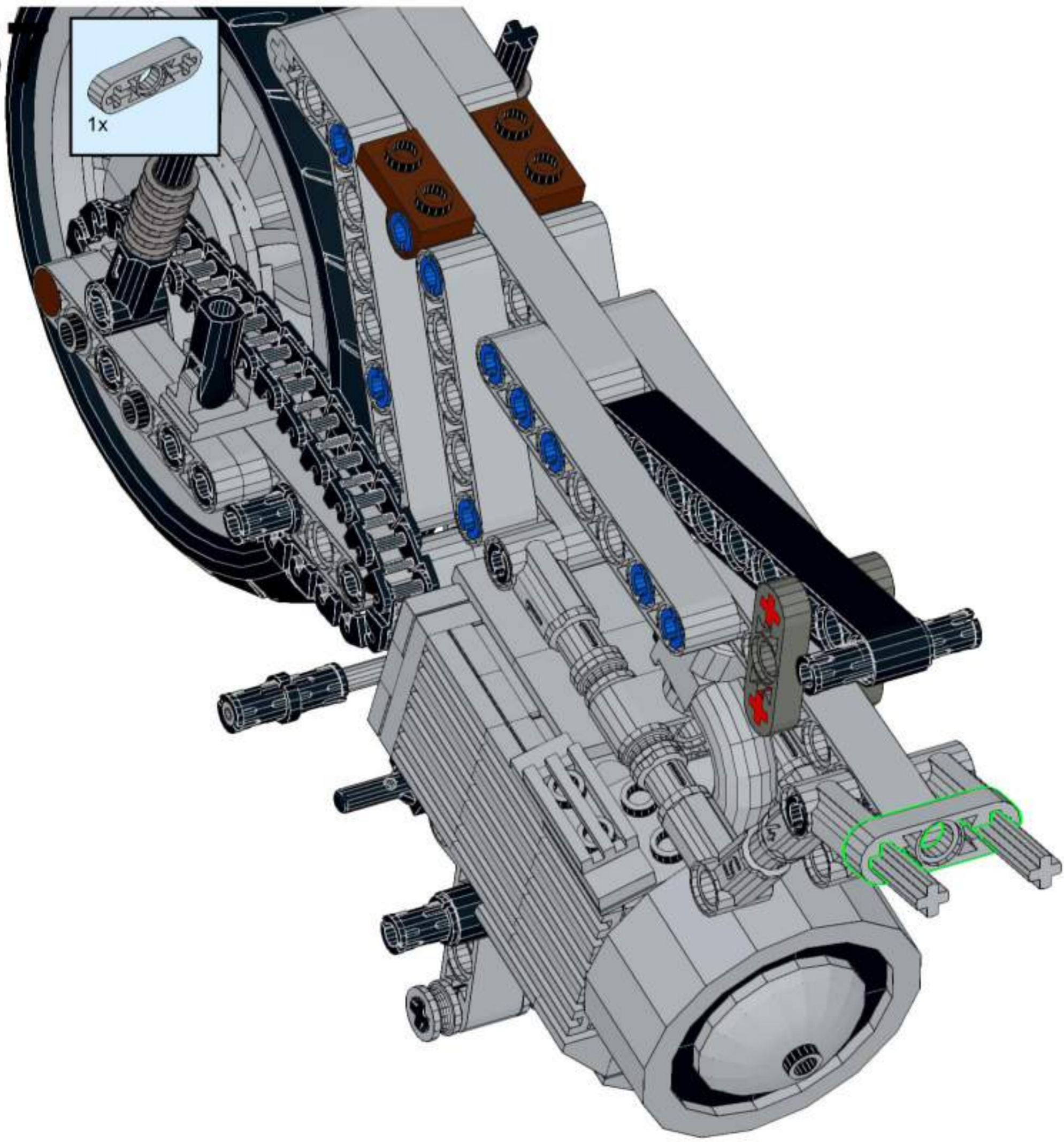
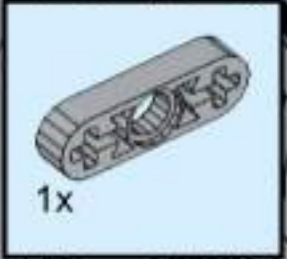
2x

24 mm ca

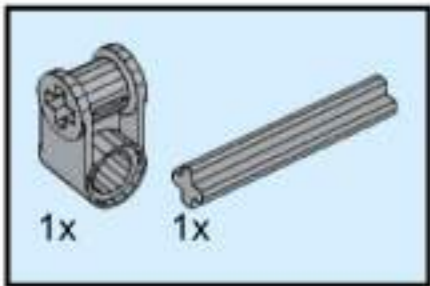




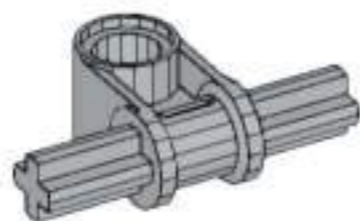
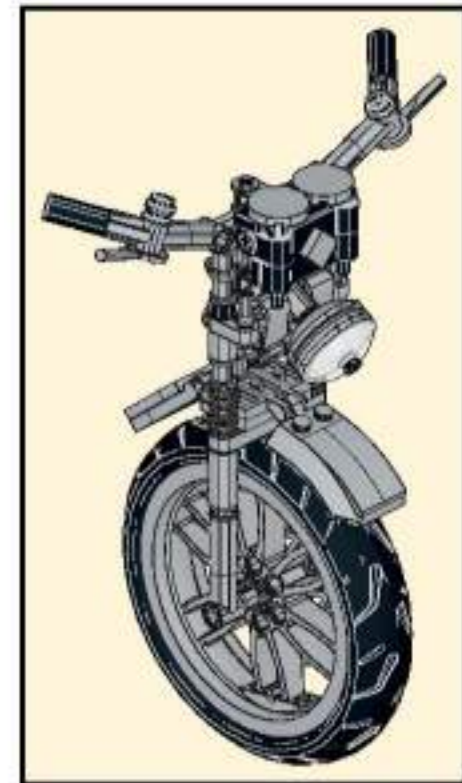
13



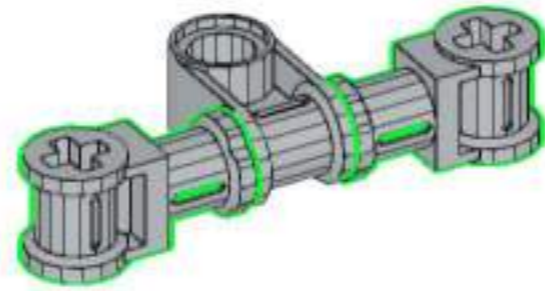
# 138



24 mm ca

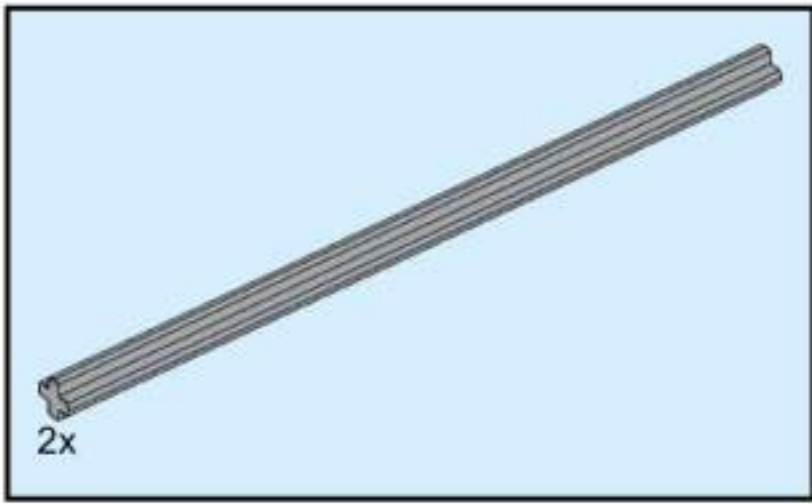


# 139

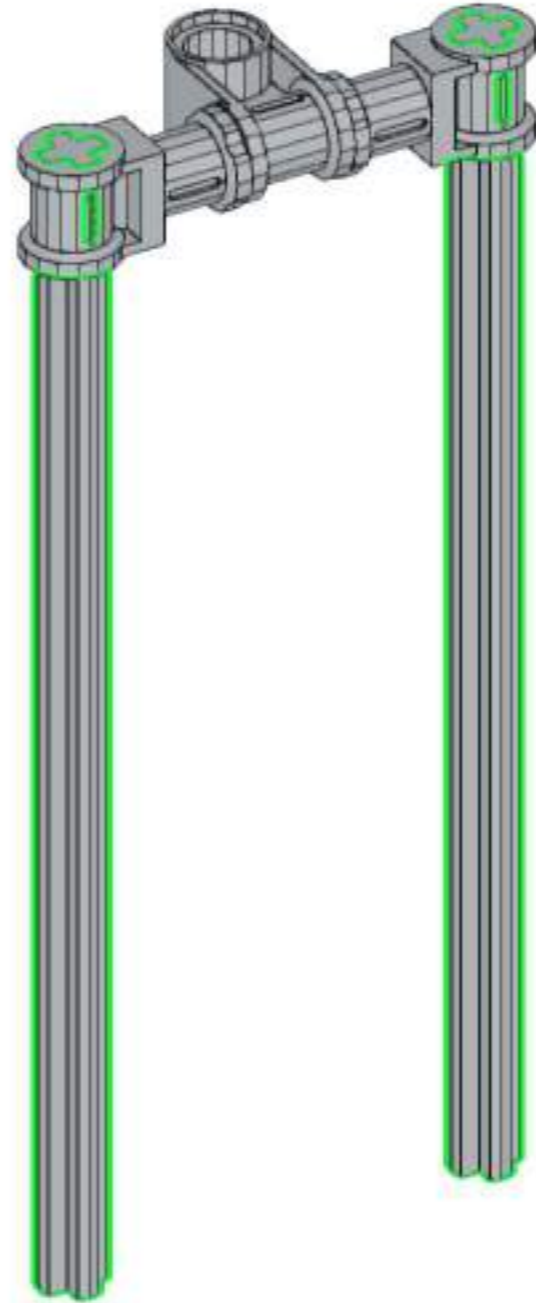




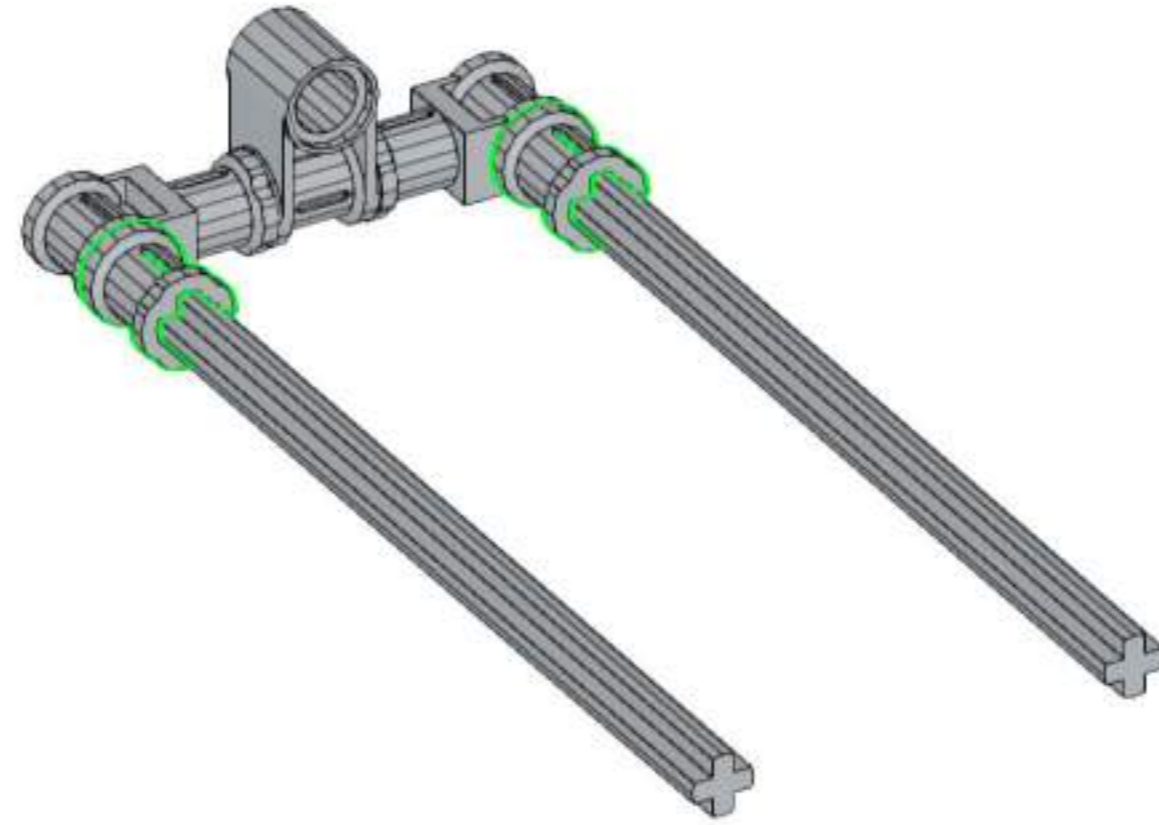
# 140



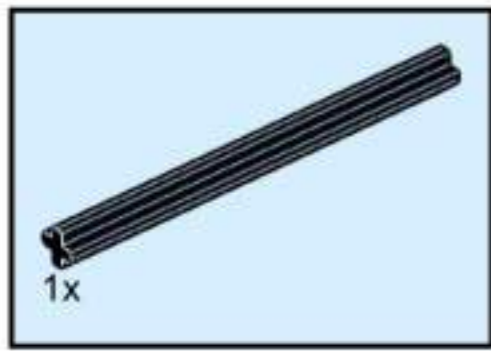
88 mm ca



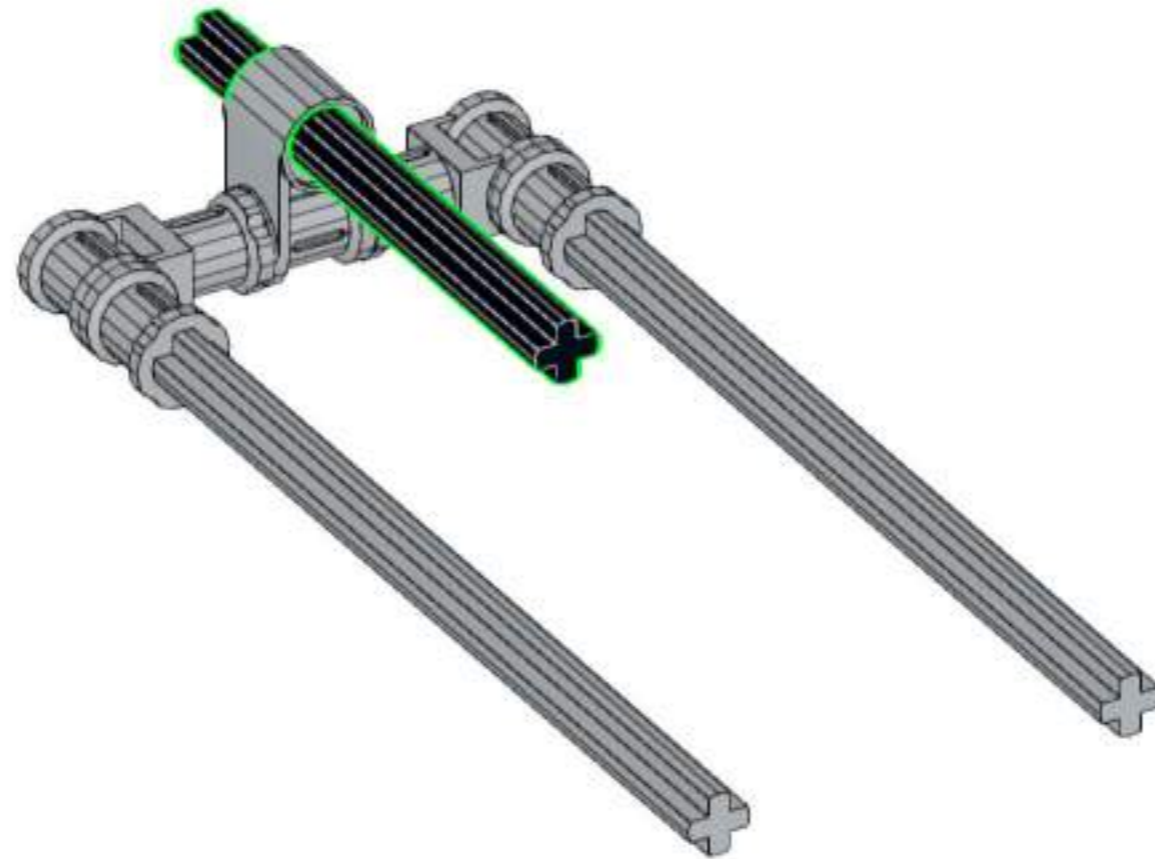
141



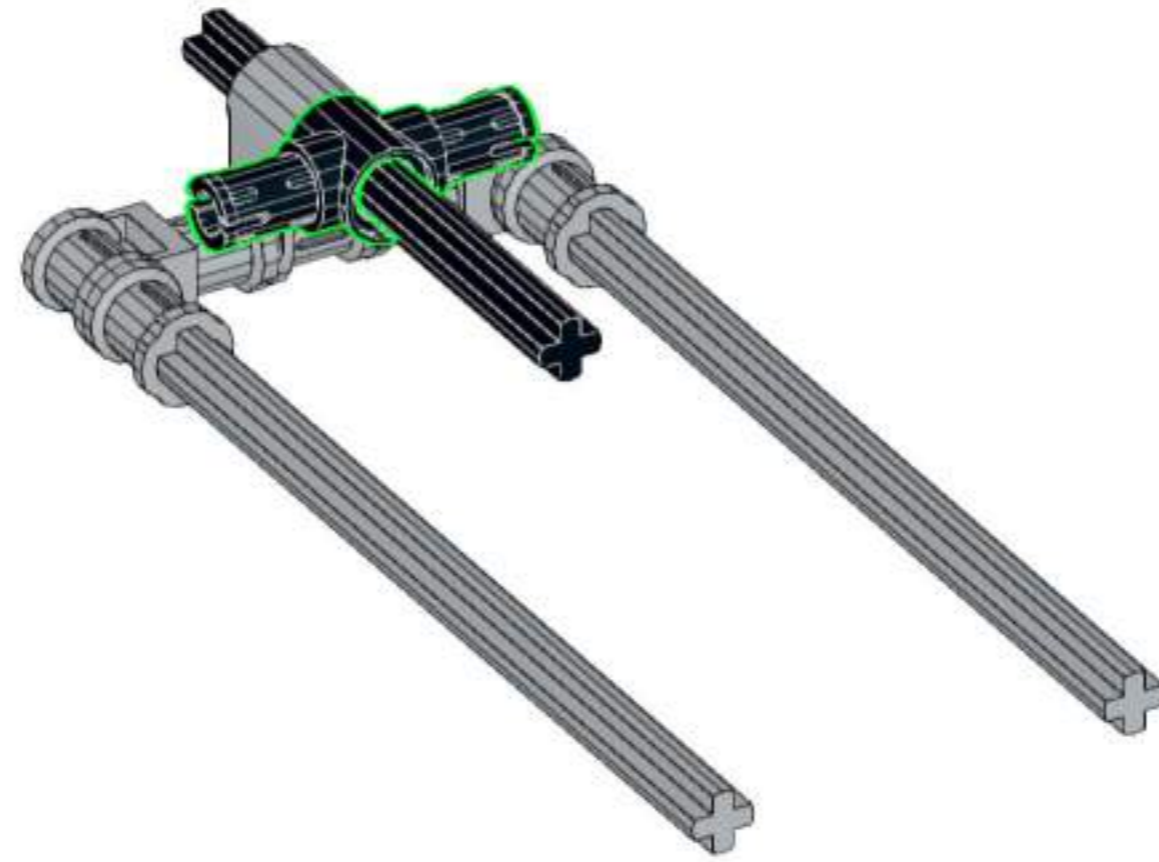
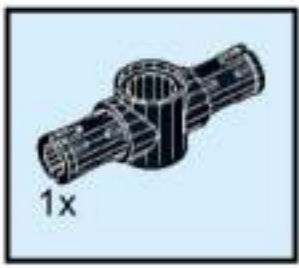
# 142



48 mm ca

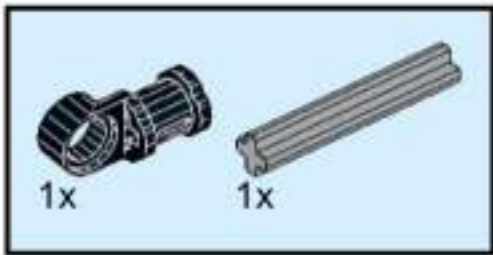


143

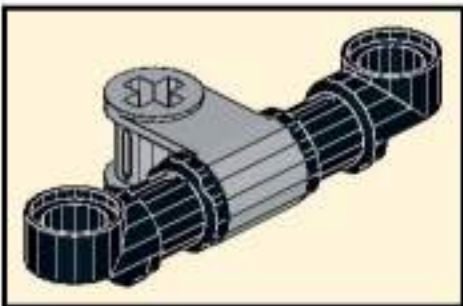




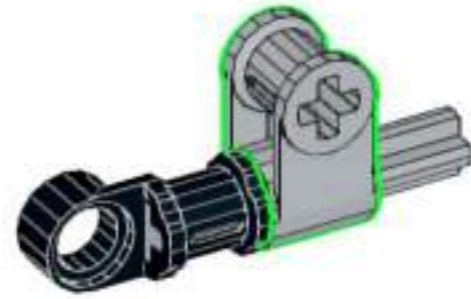
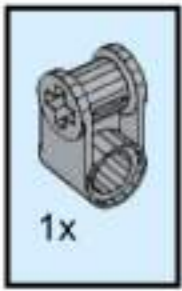
# 144



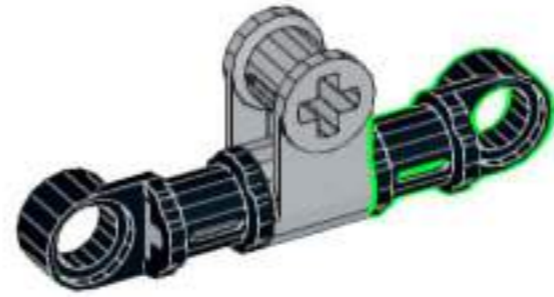
24 mm ca



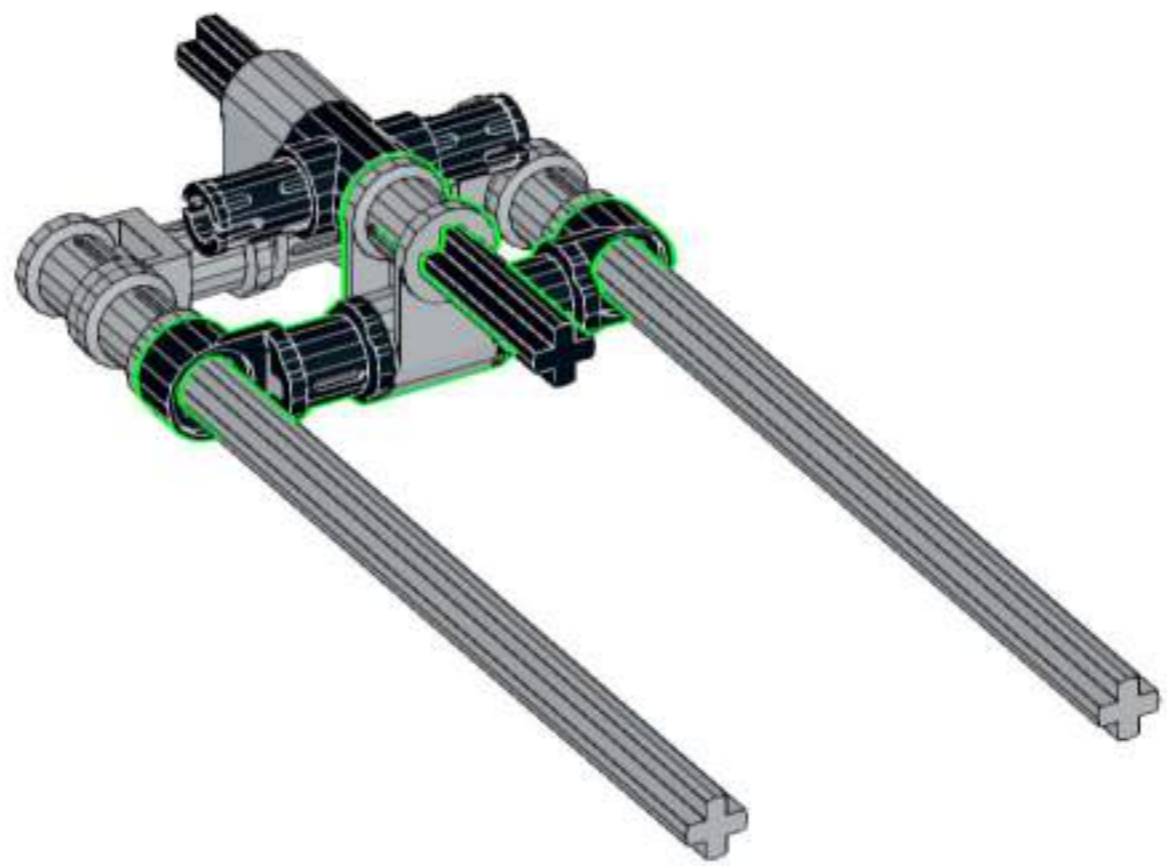
# 145



146

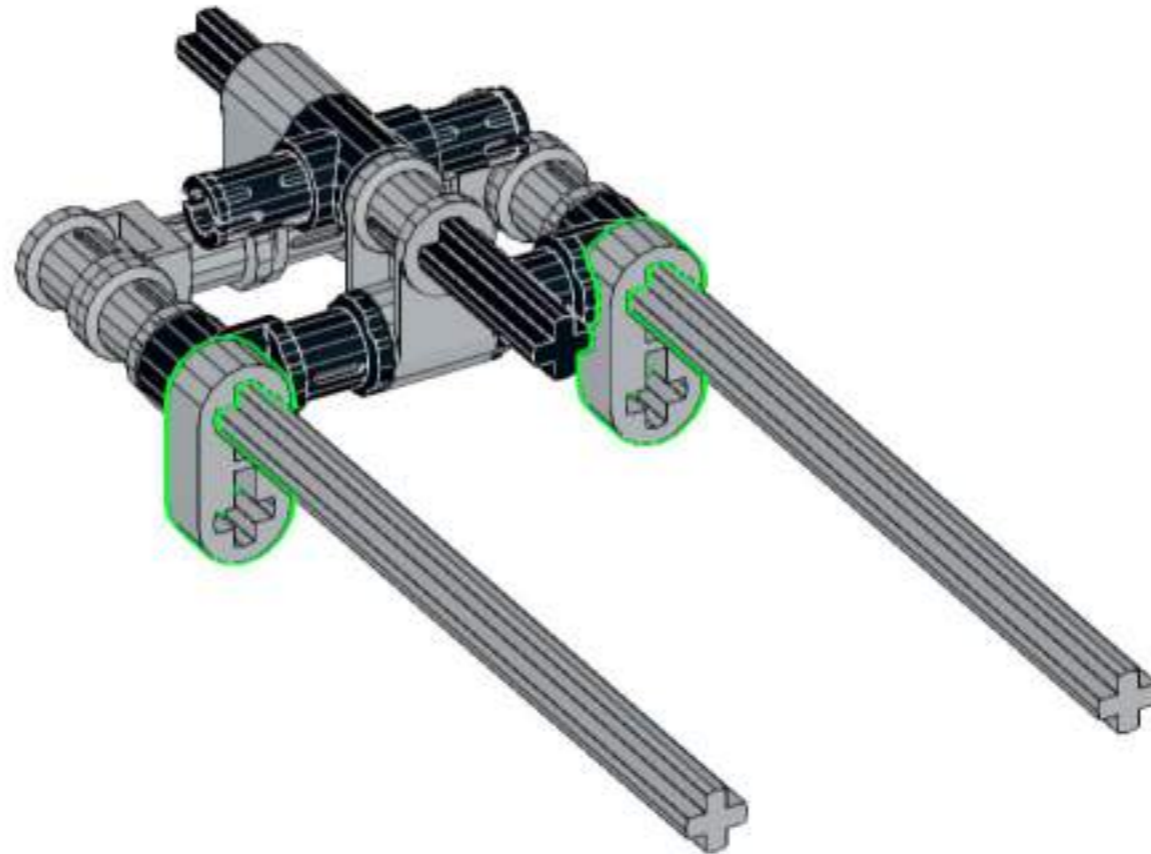
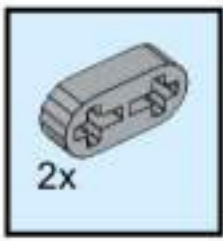


147

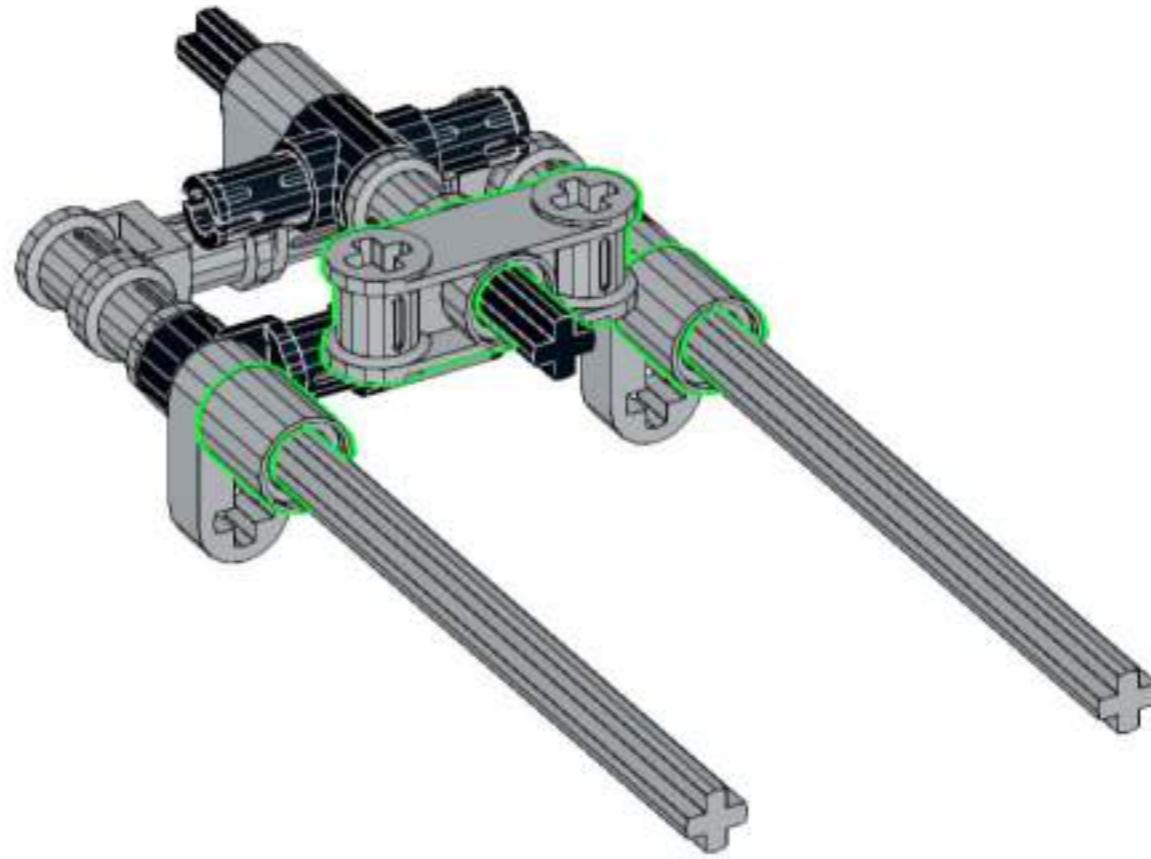
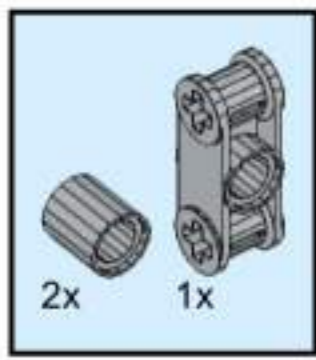




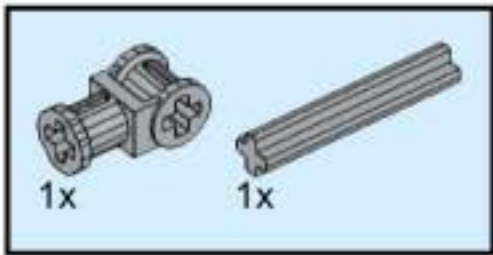
148



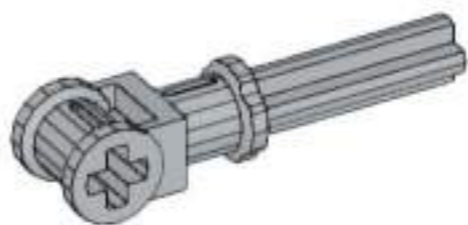
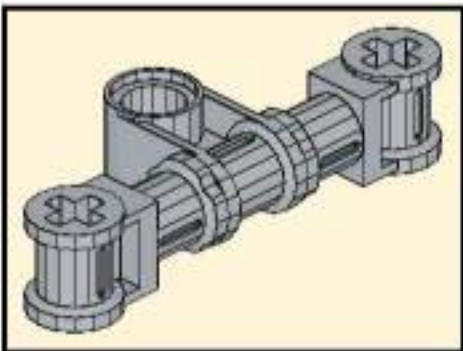
# 149



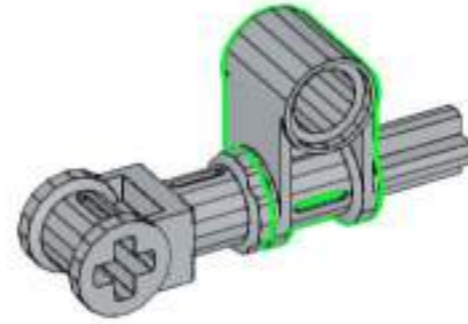
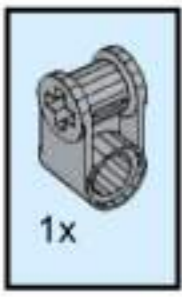
# 150



24 mm ca

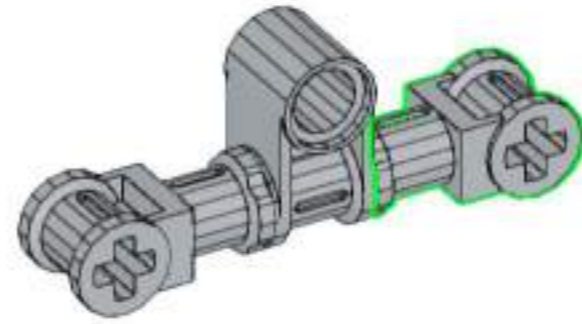


# 151

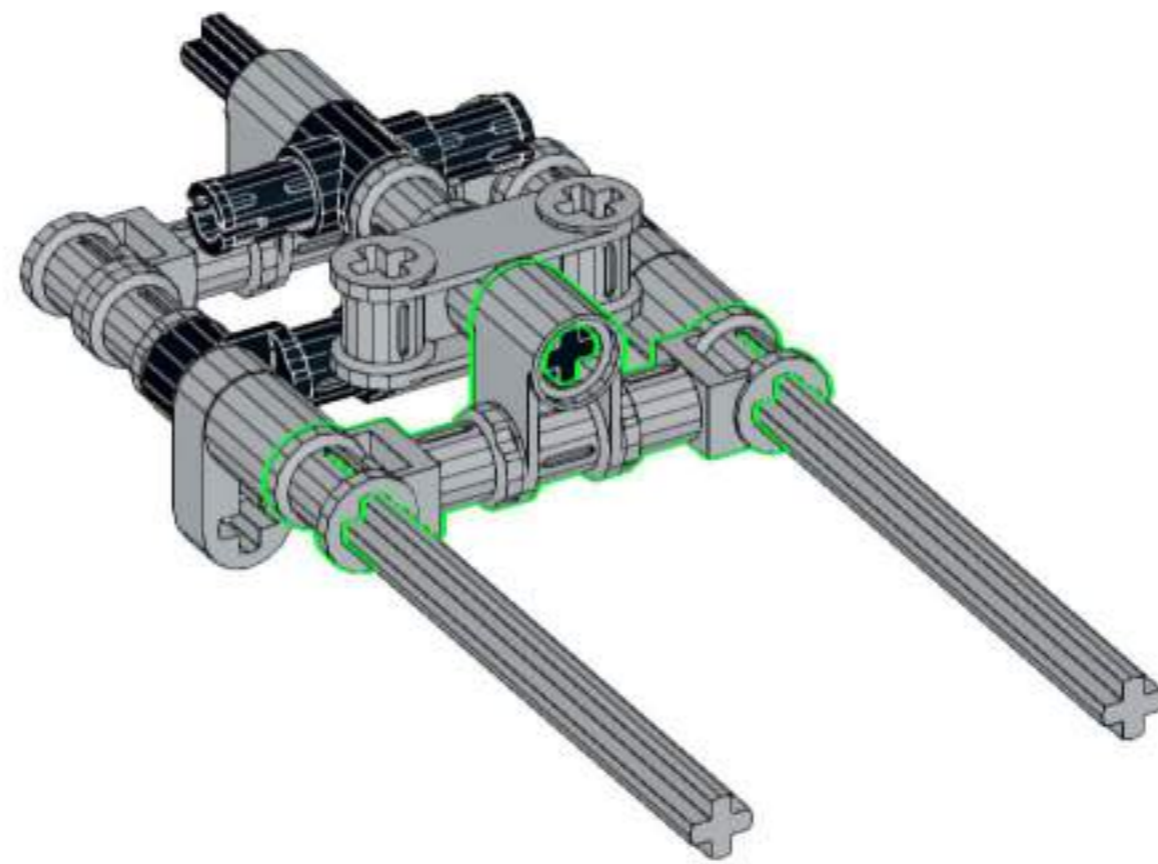




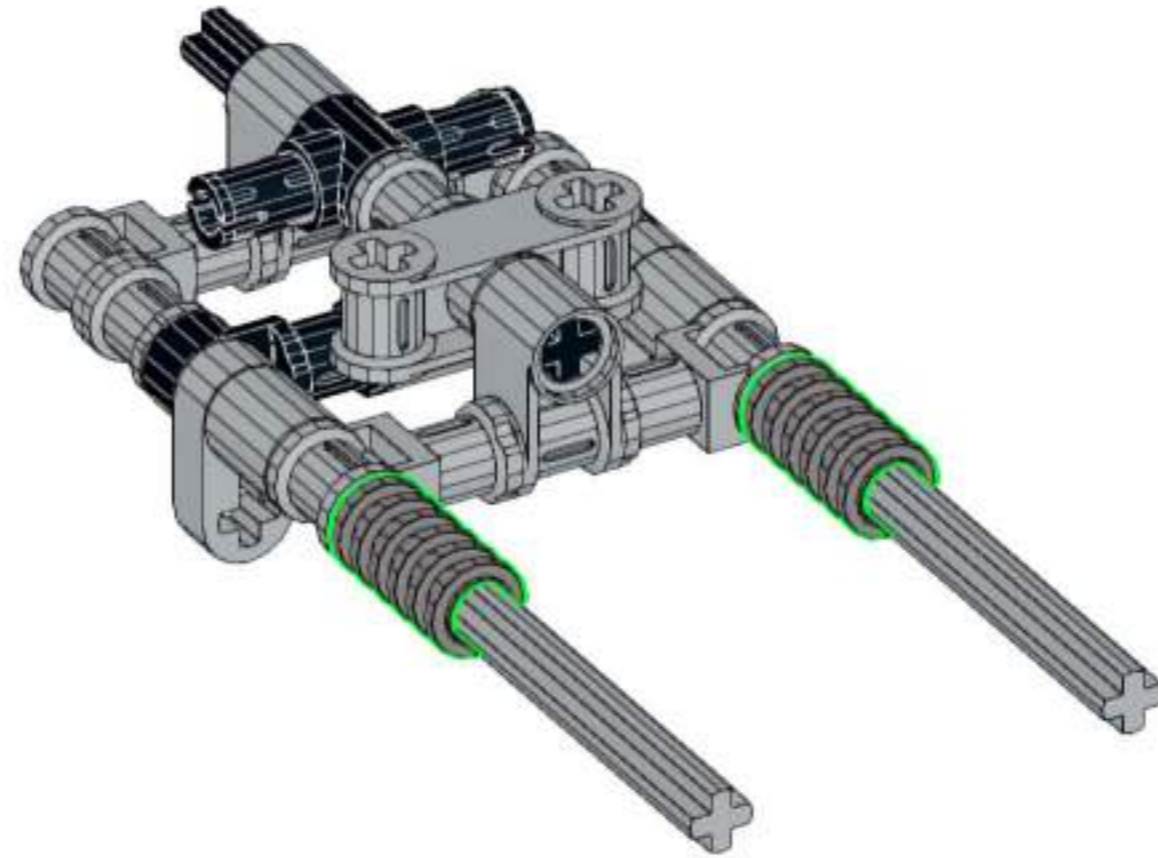
152



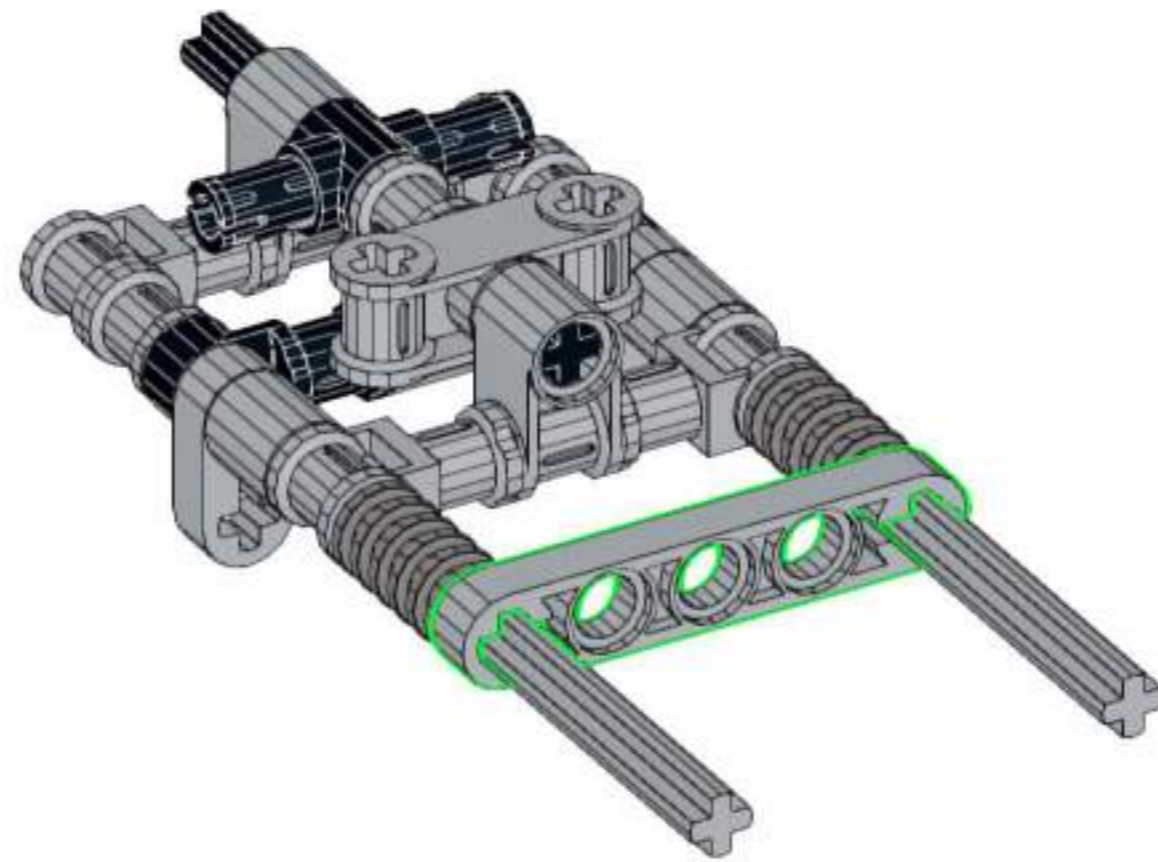
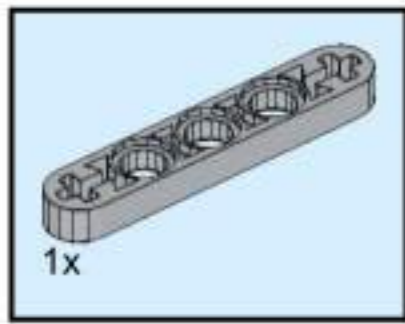
153



# 154

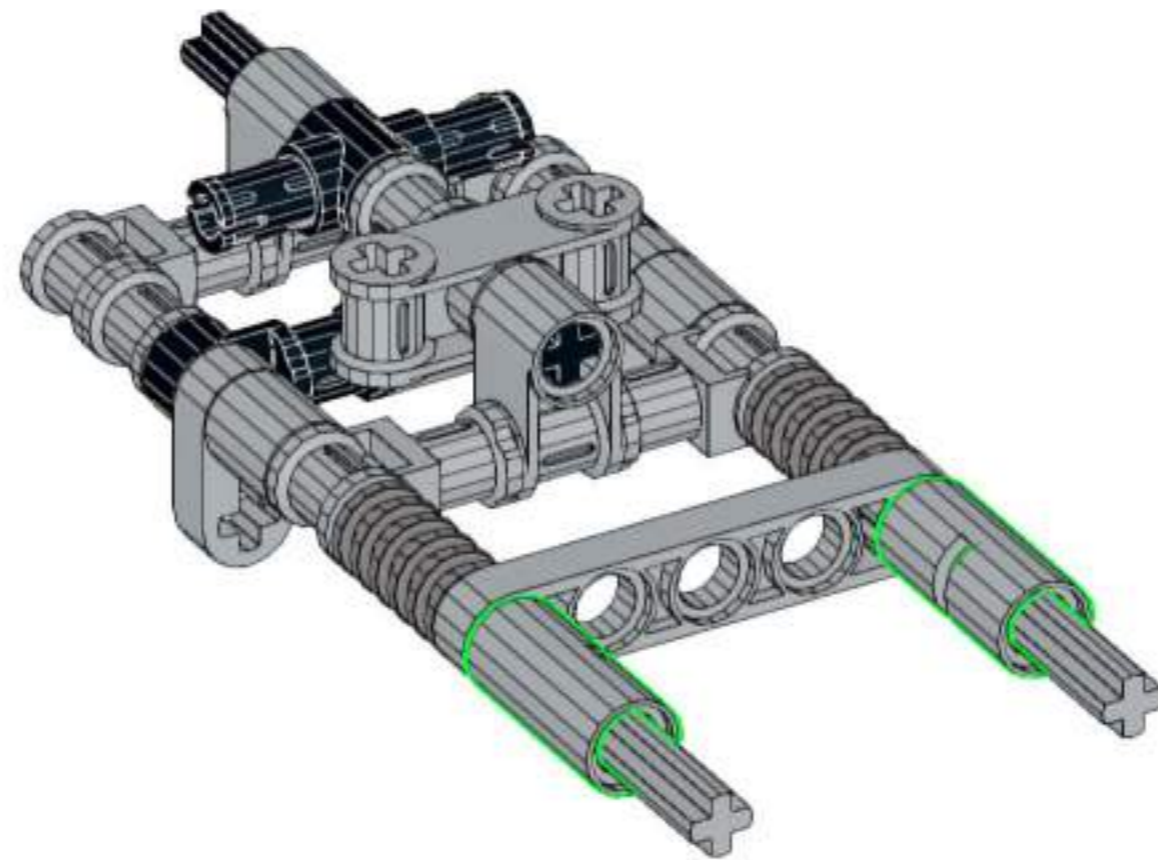


# 155

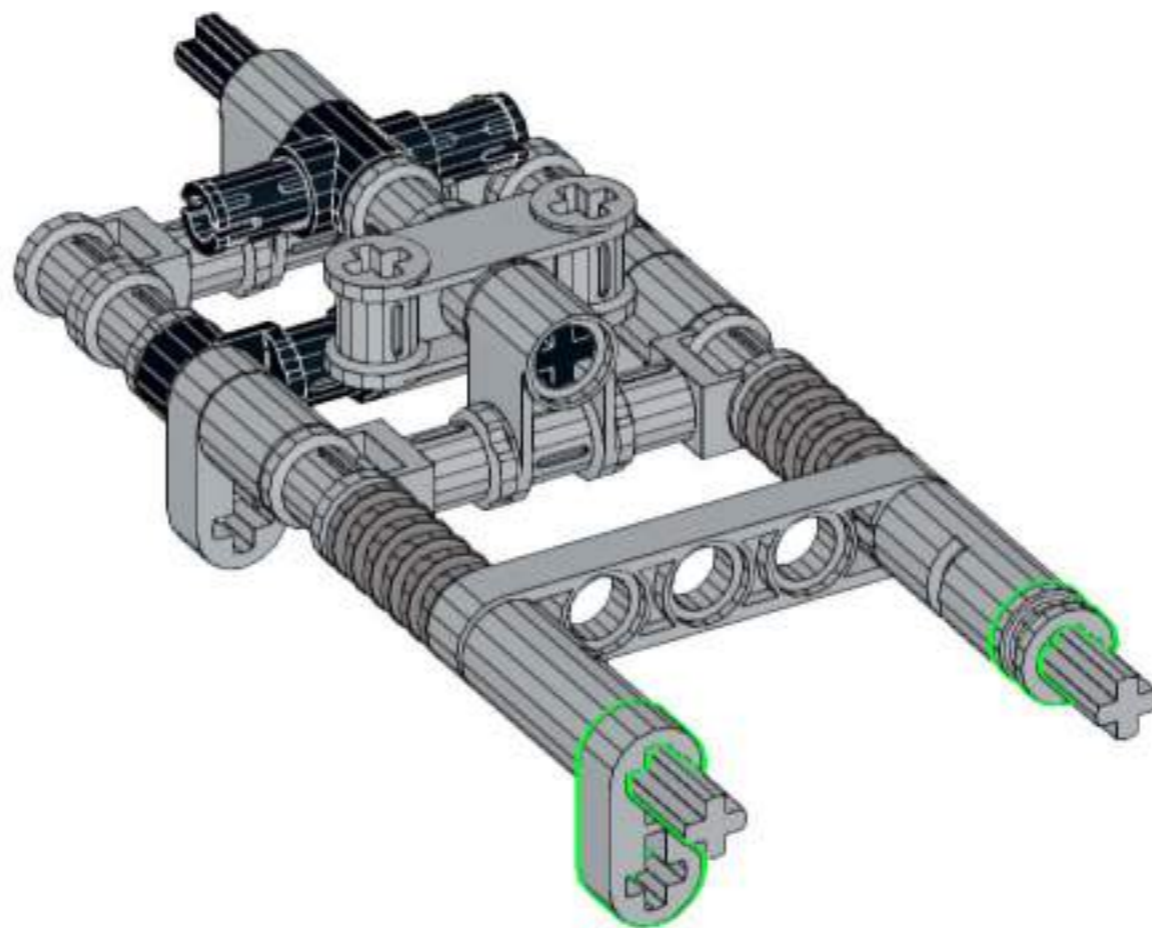
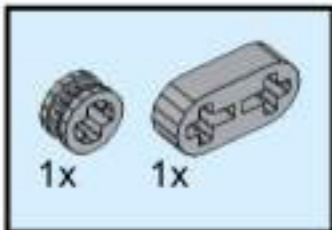




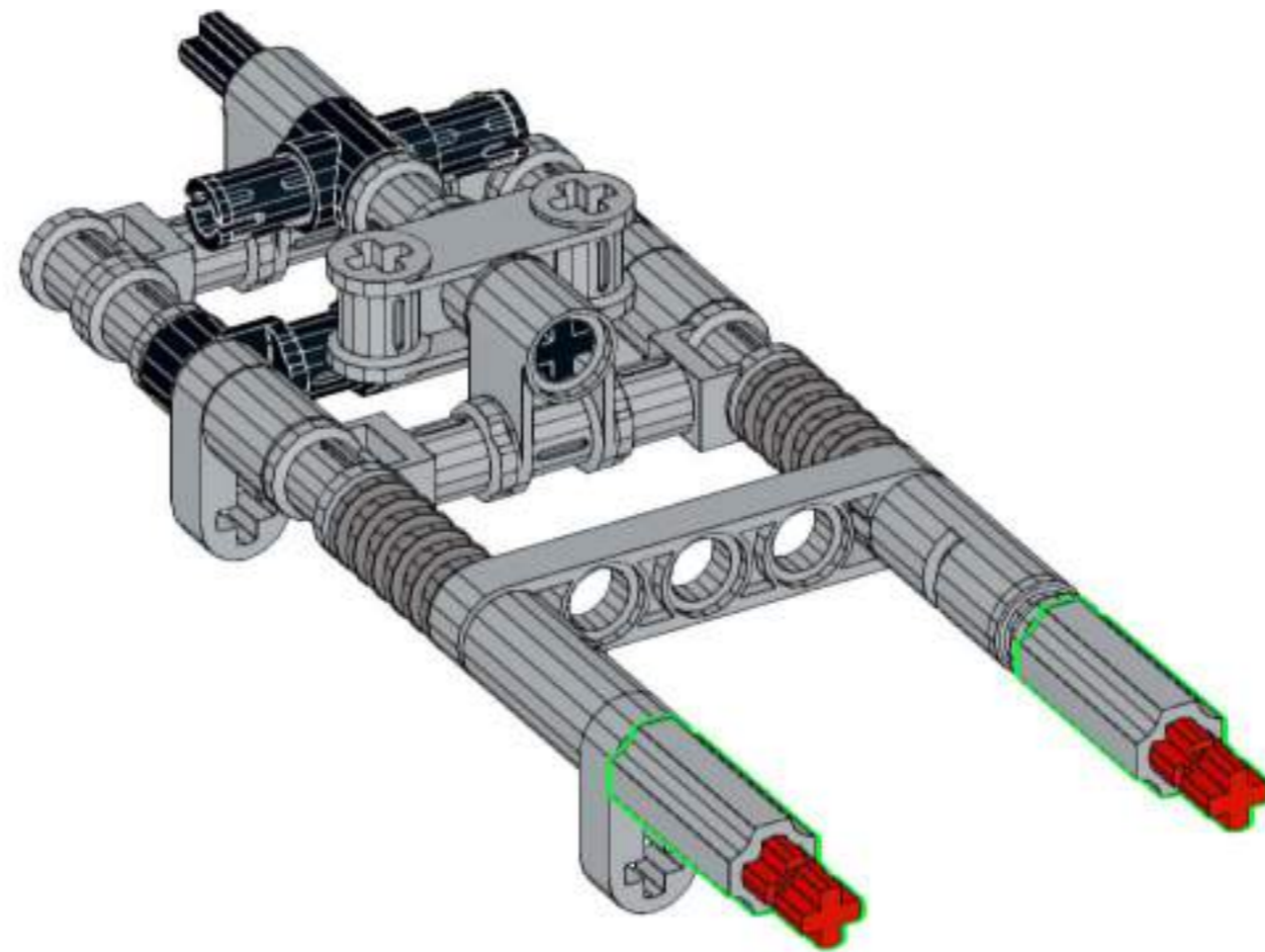
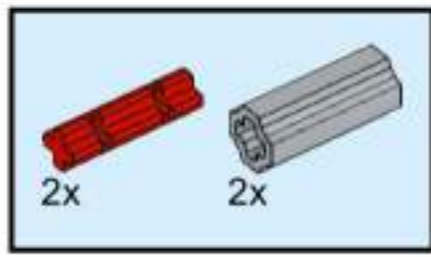
156



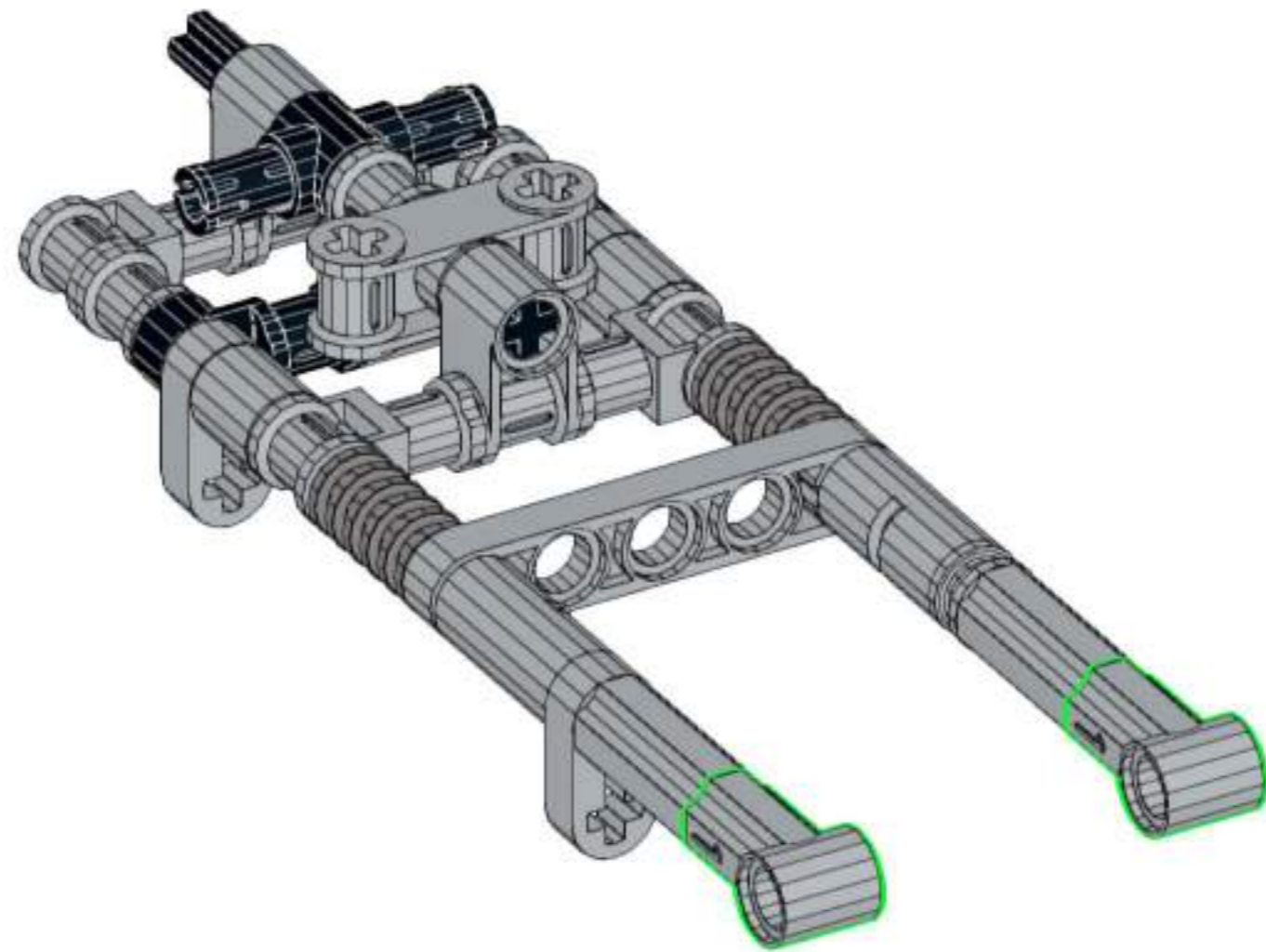
# 157



# 158

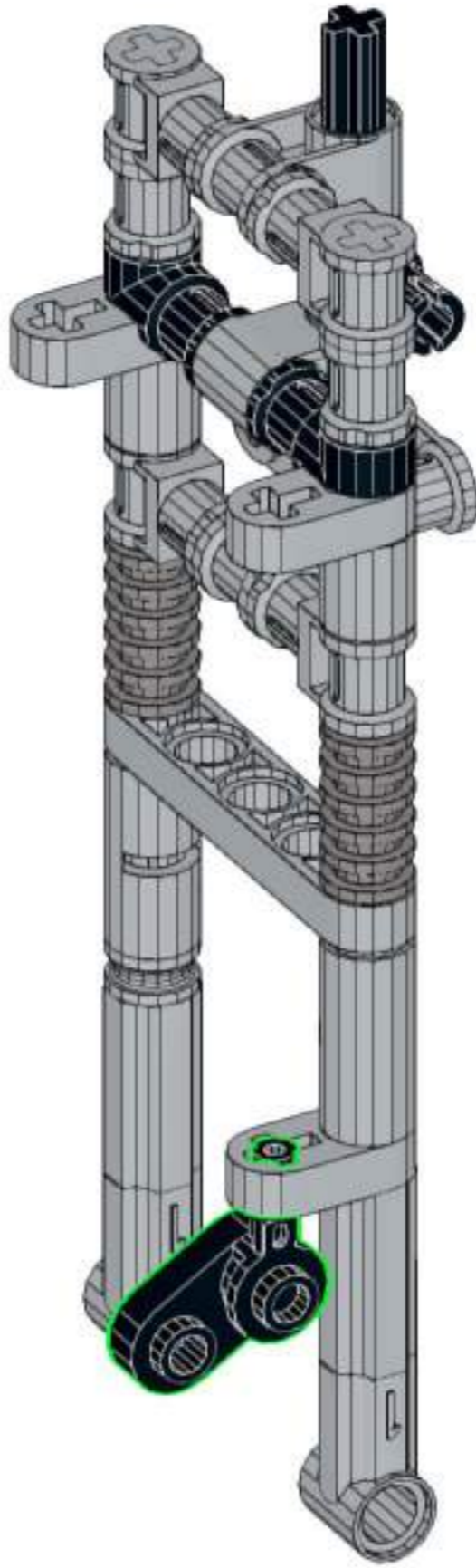
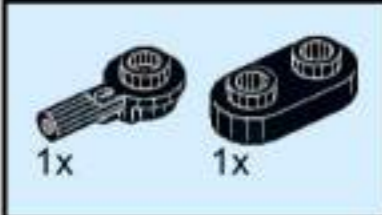


# 159

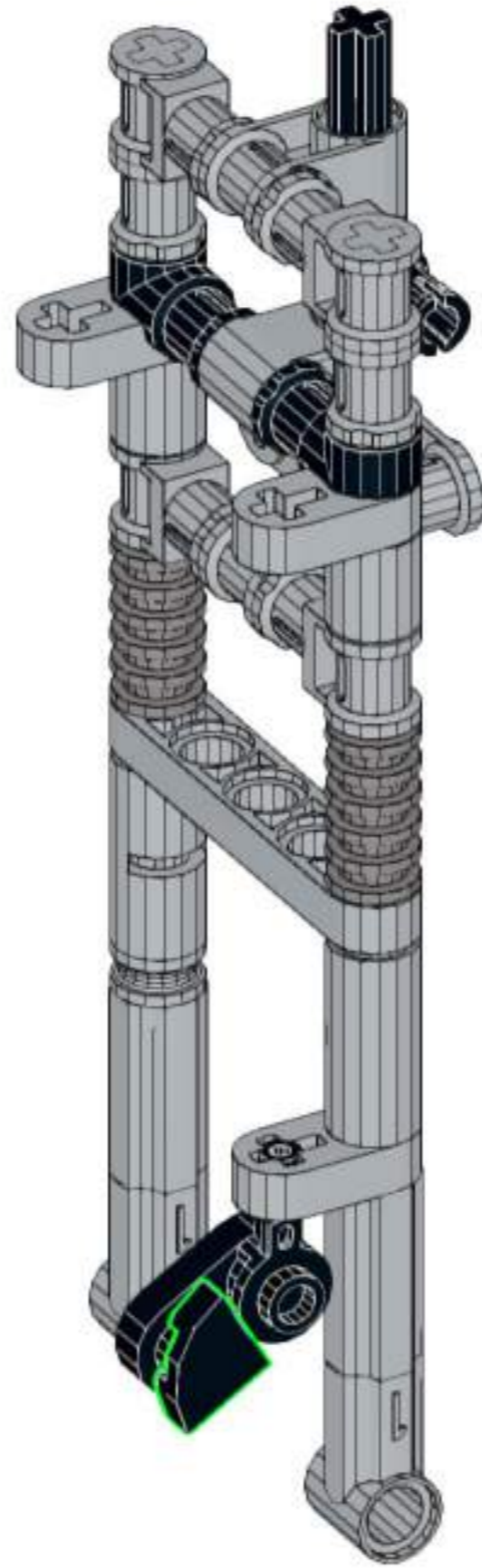




# 160



# 161



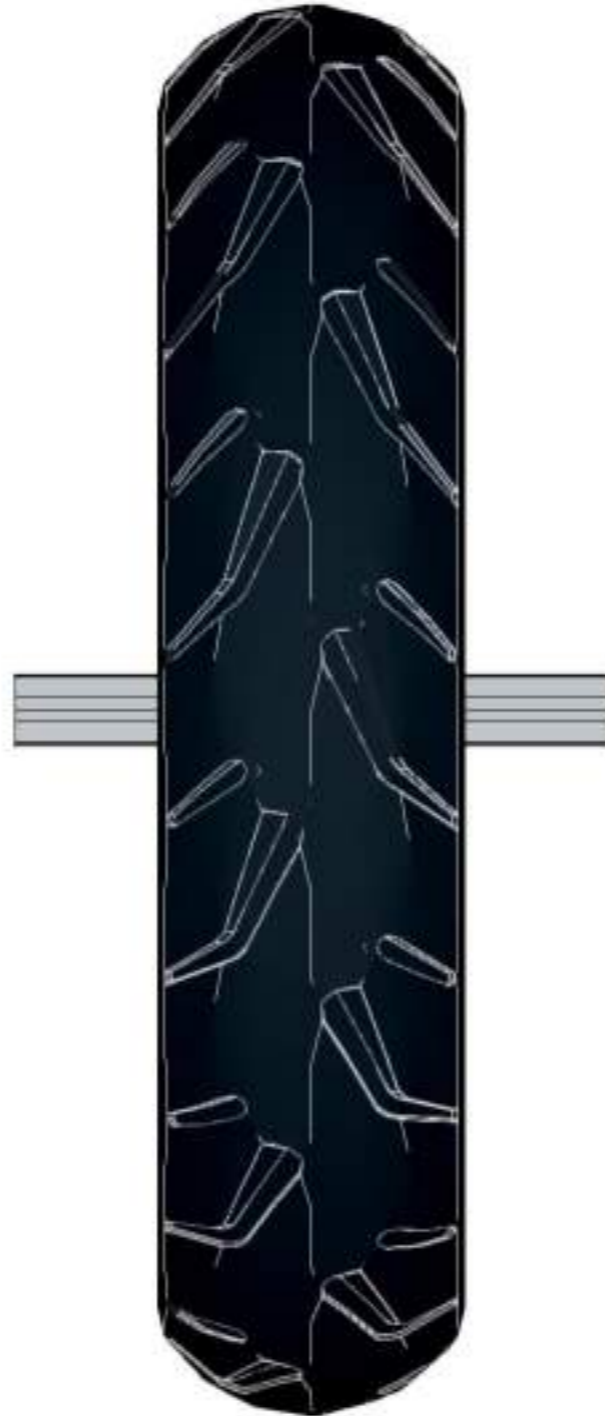
# 162



40 mm ca



Place the shaft in center

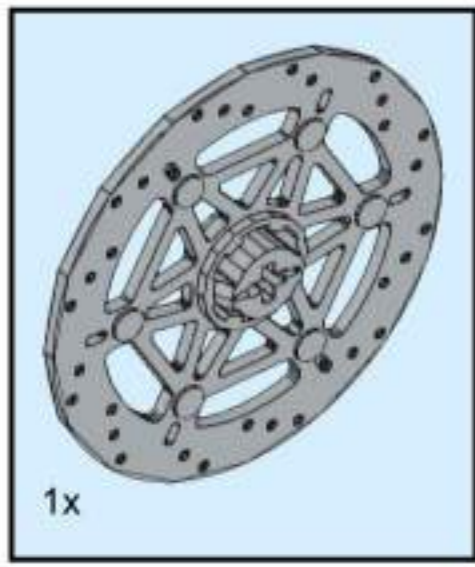




164

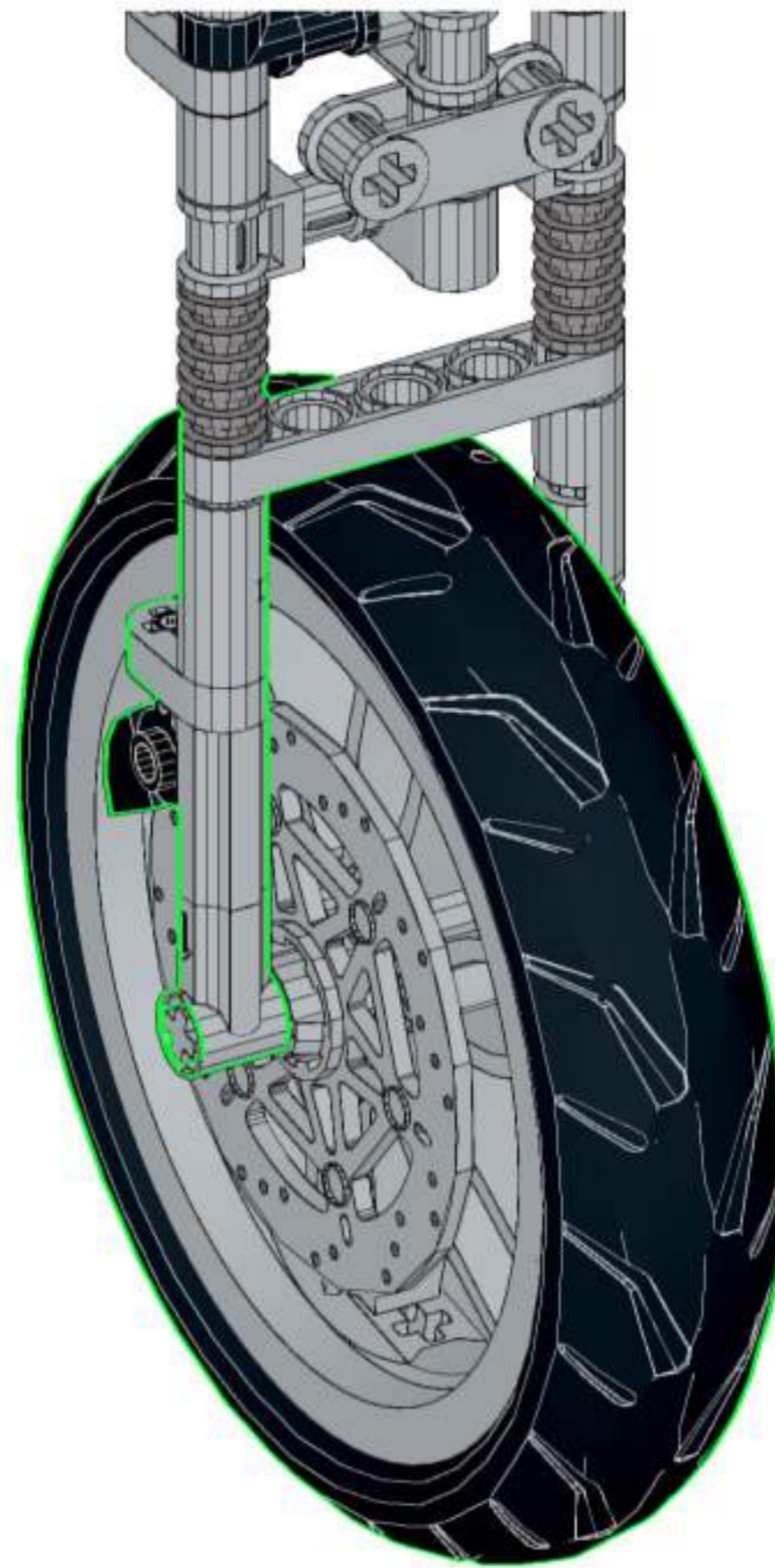


# 165

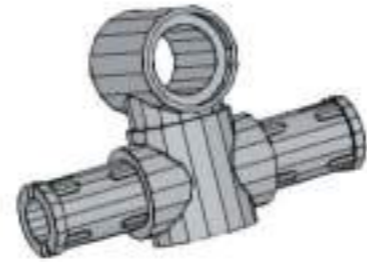
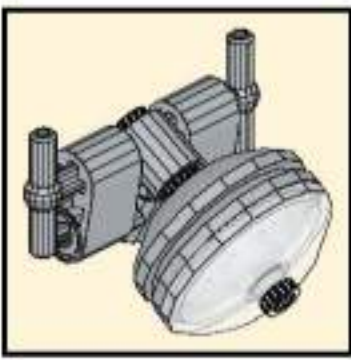
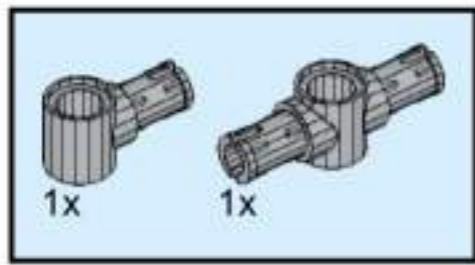




Carefully bend the forks  
to install the wheel

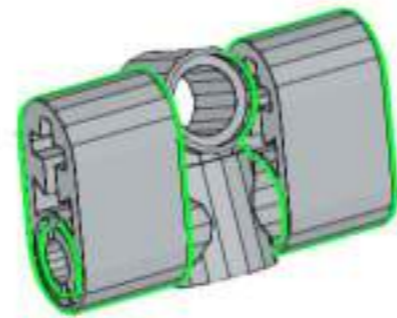


# 167

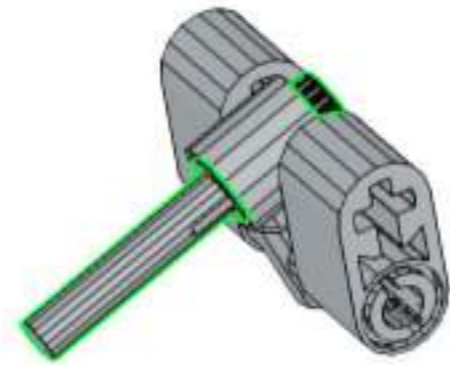




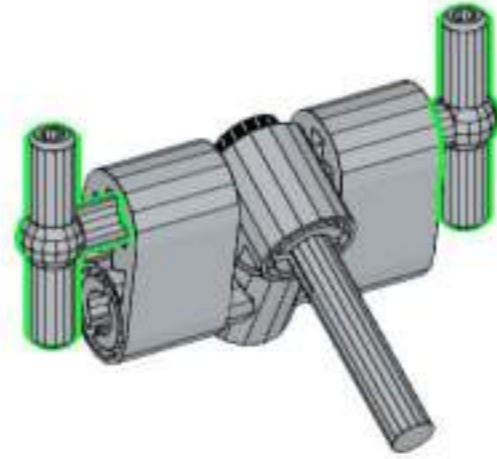
168



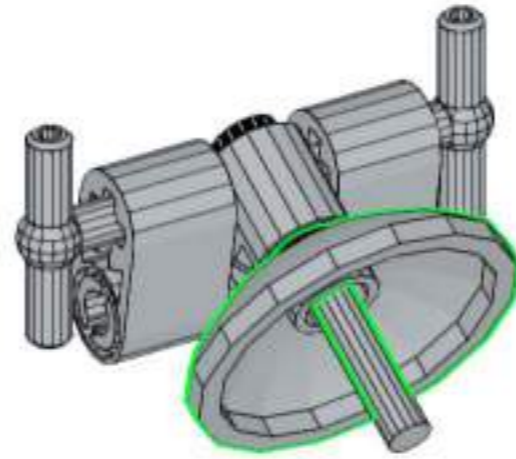
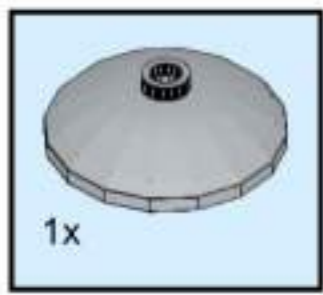
169



170

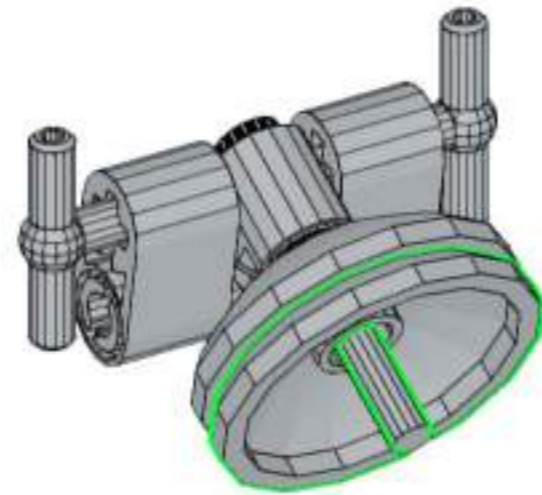
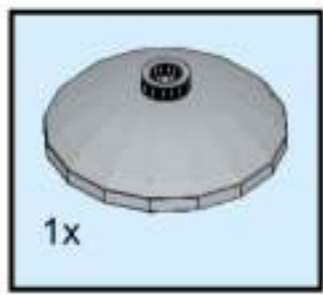


# 171





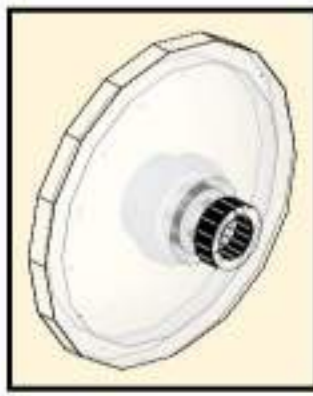
172



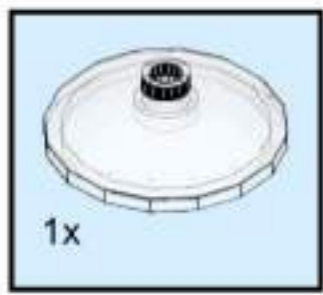
# 173



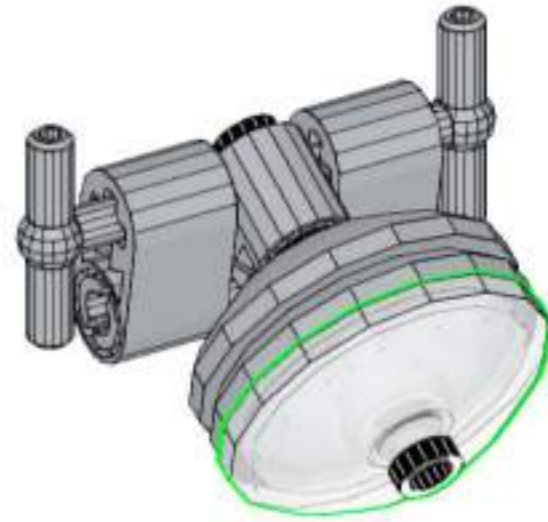
Piece with  
hole



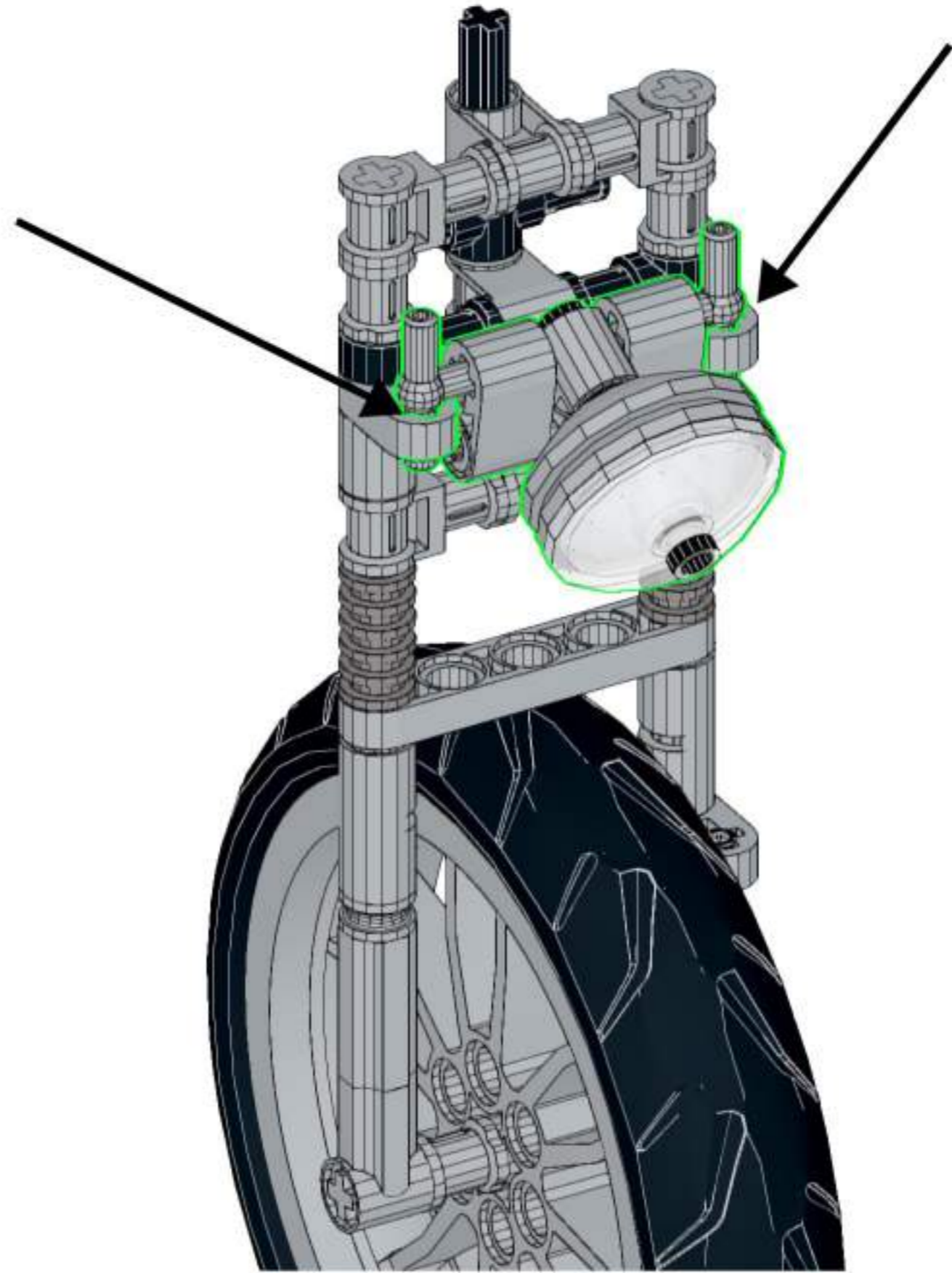
174



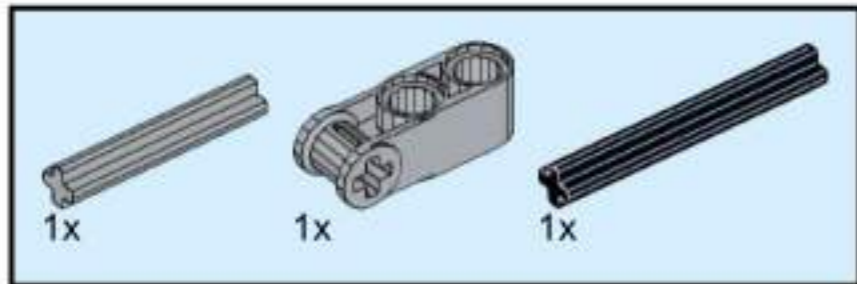
175





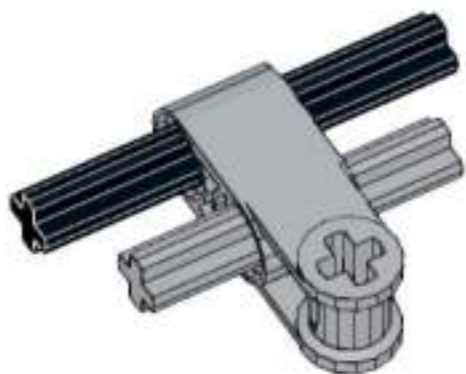
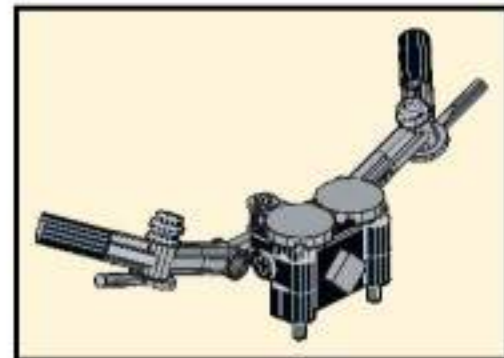


# 177

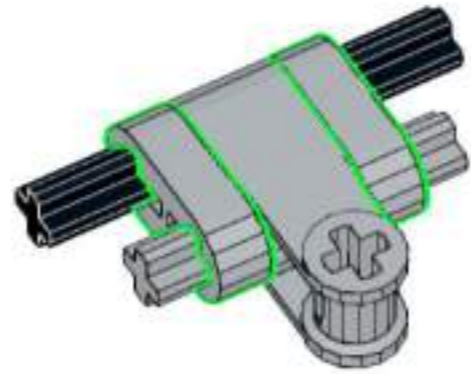
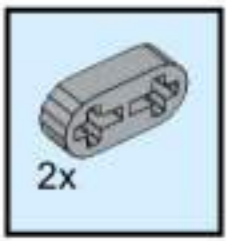


24 mm ca

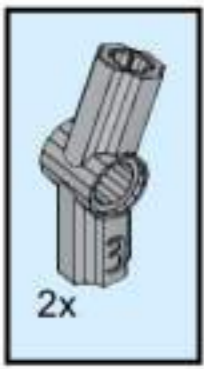
32 mm ca



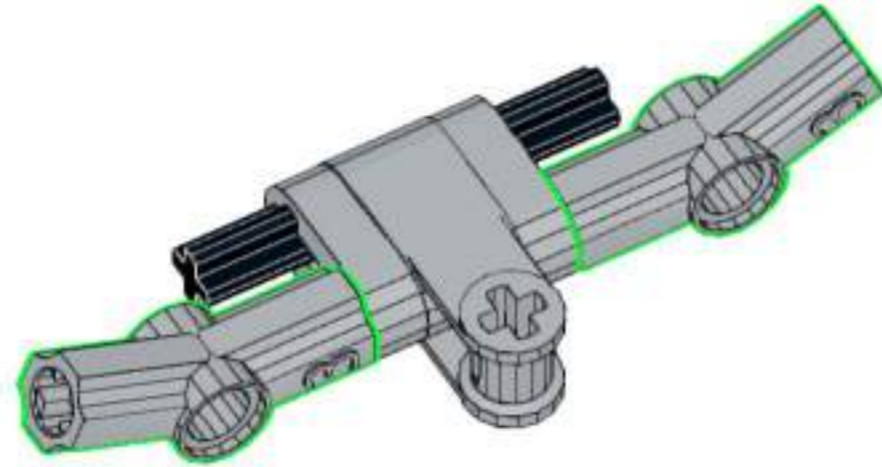
178



# 179

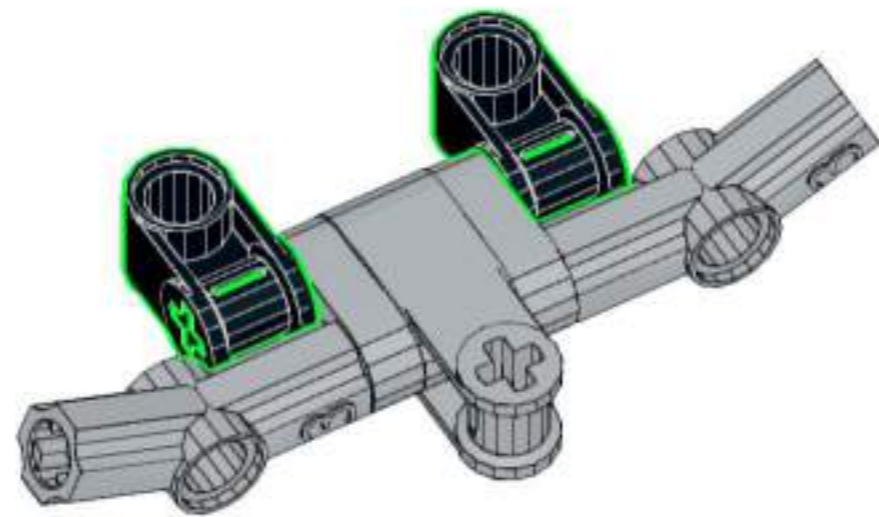


NR 3  
(check number on piece)

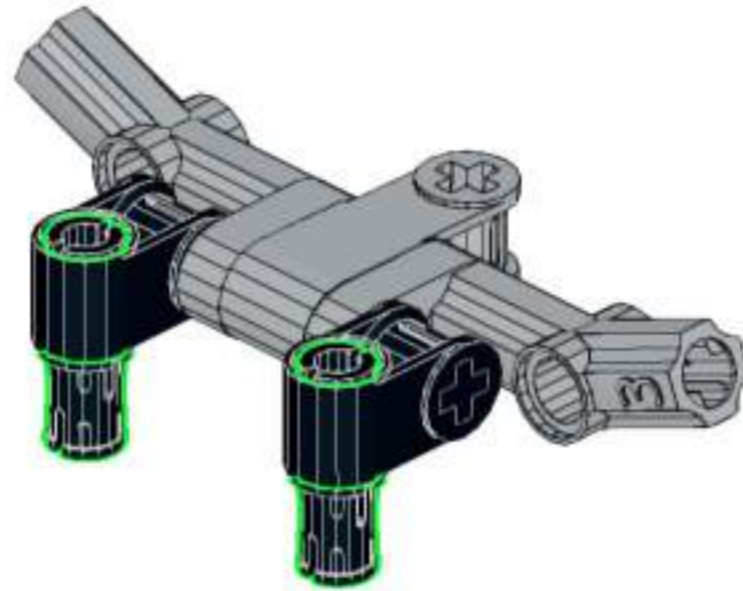




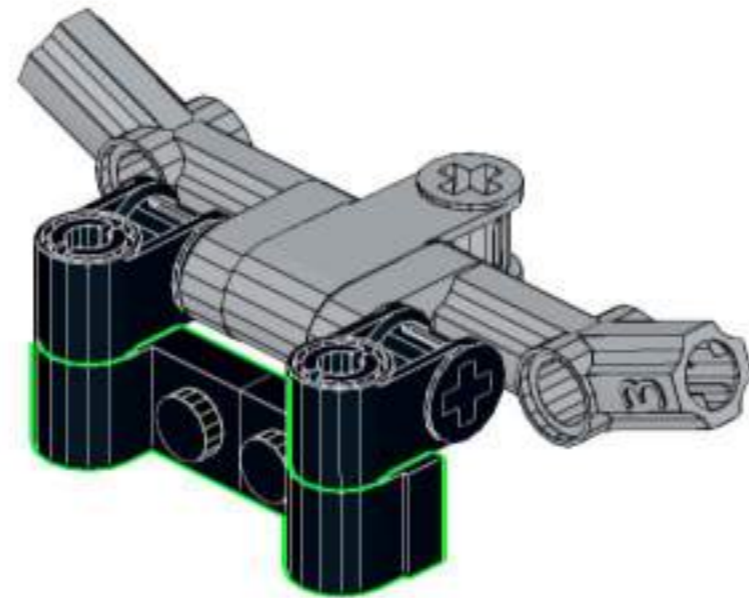
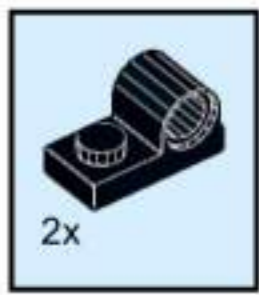
180



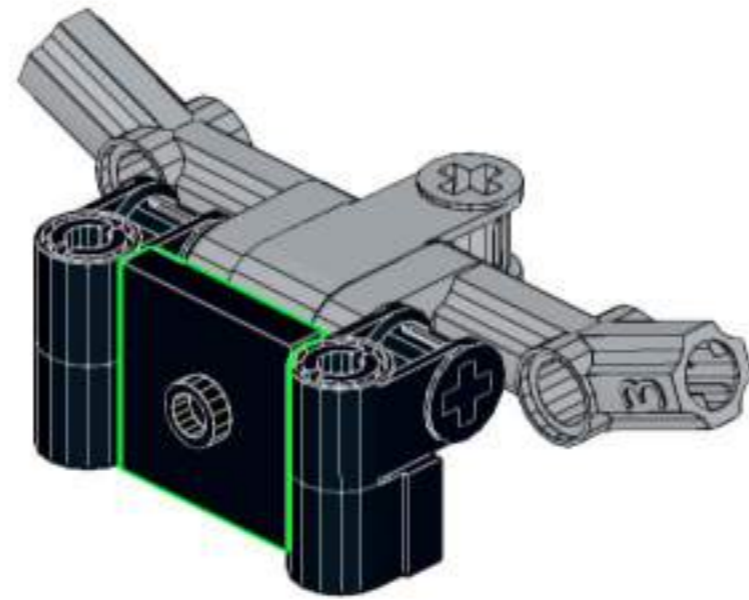
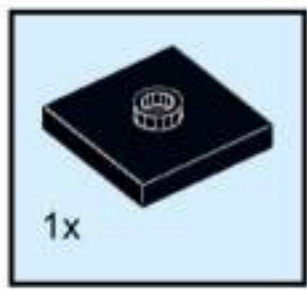
# 181



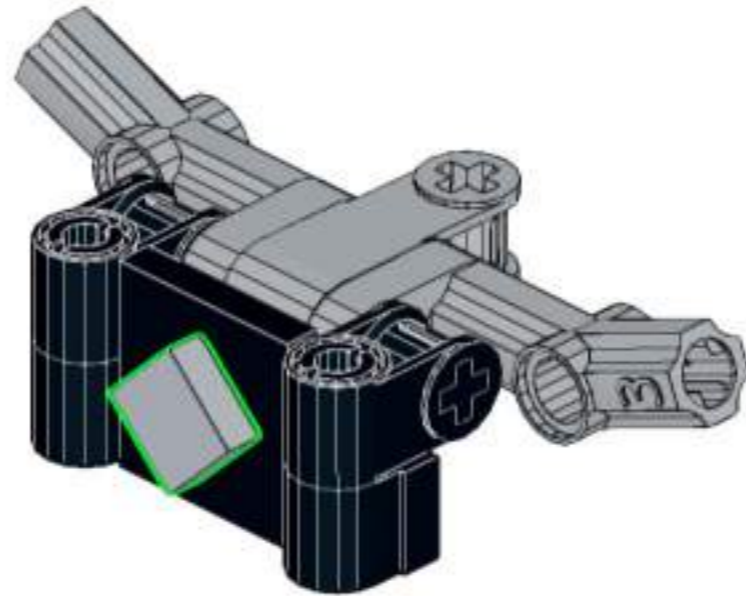
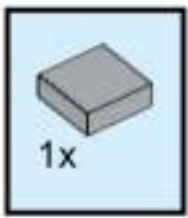
182



183

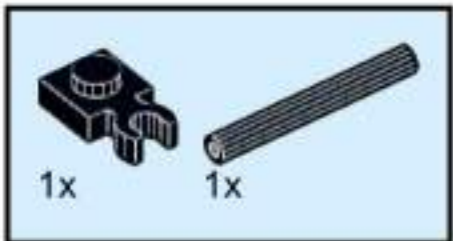


184

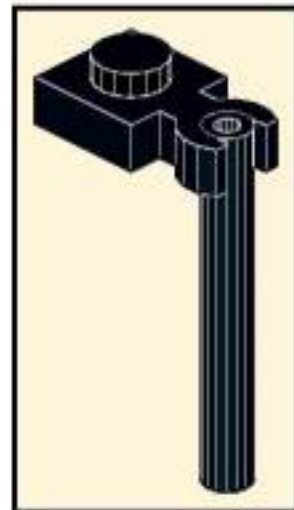


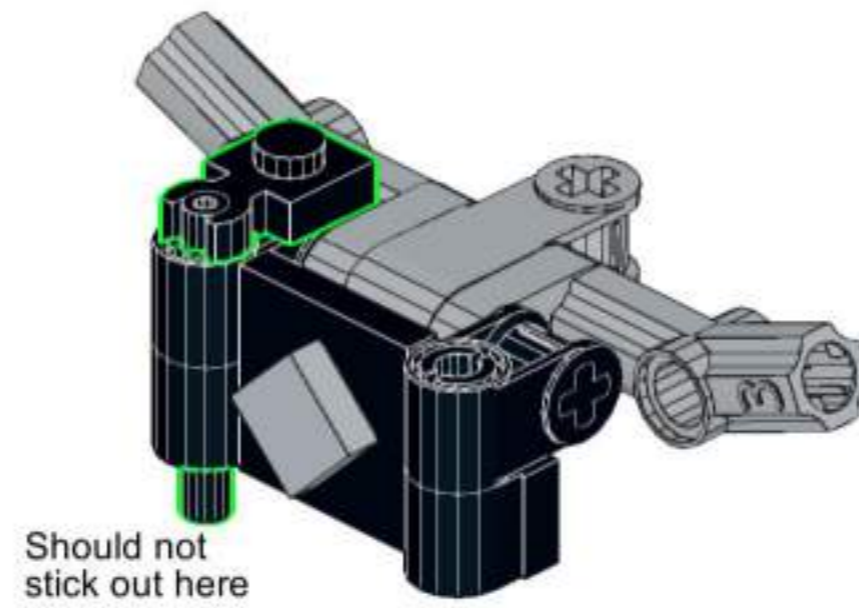


# 185

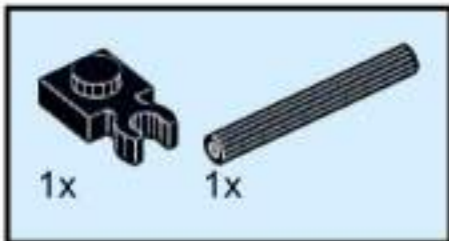


16 mm ca  
Hollow hose 3 mm diameter

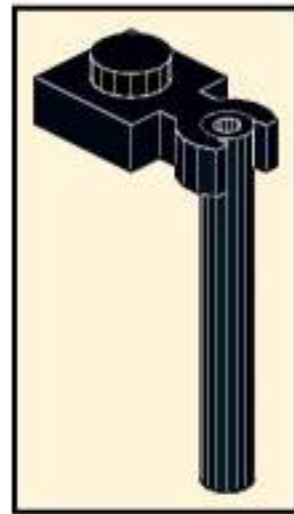


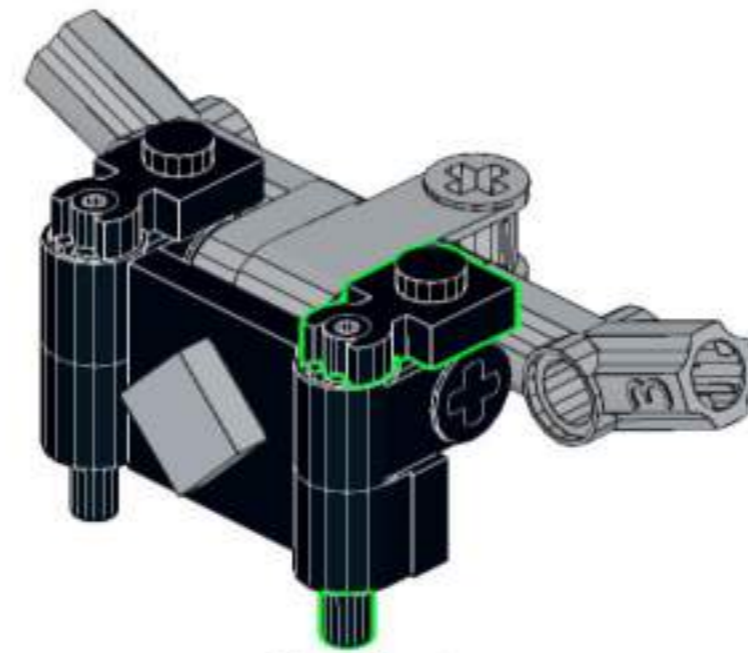


# 187



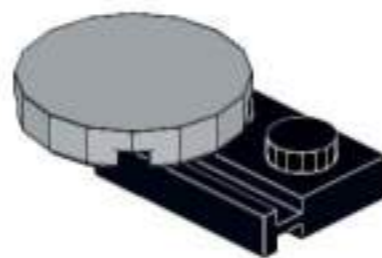
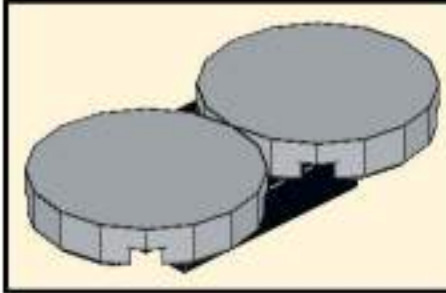
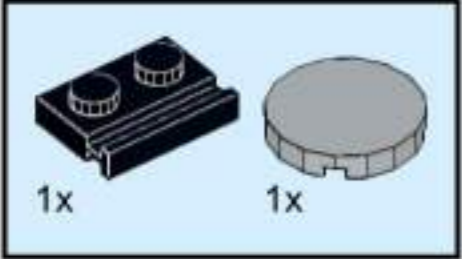
16 mm ca  
Hollow hose 3 mm diameter





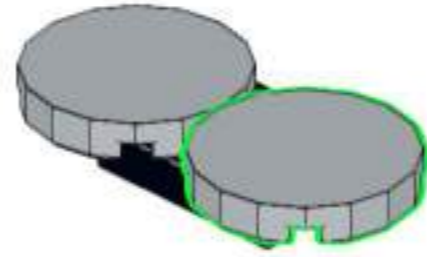
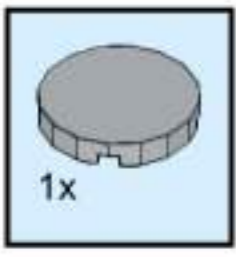
Should not  
stick out here

# 189

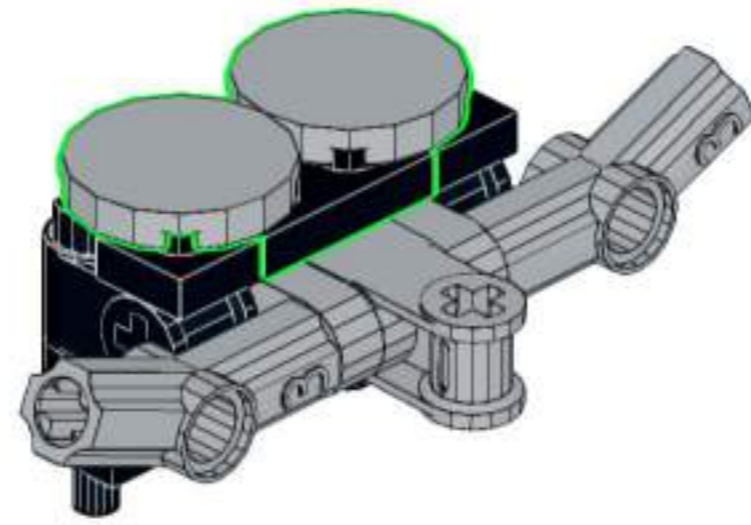




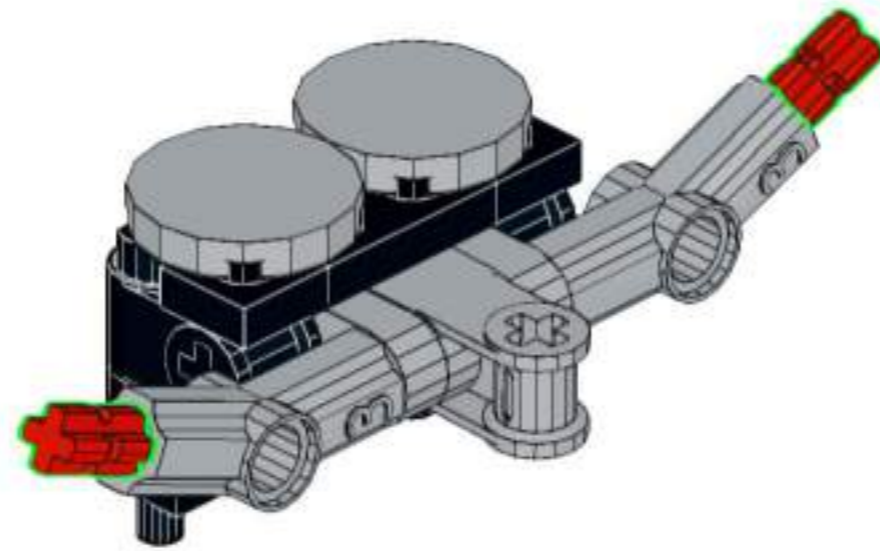
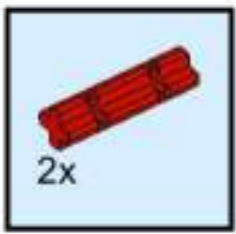
190



191



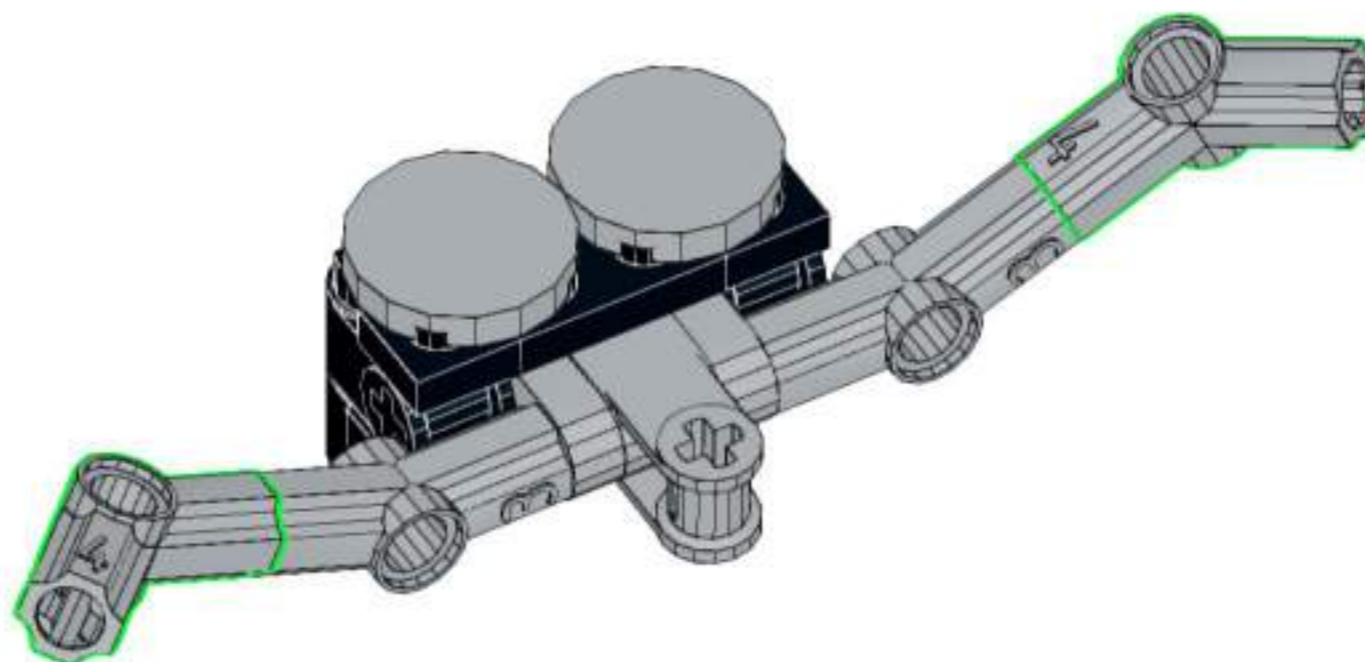
192



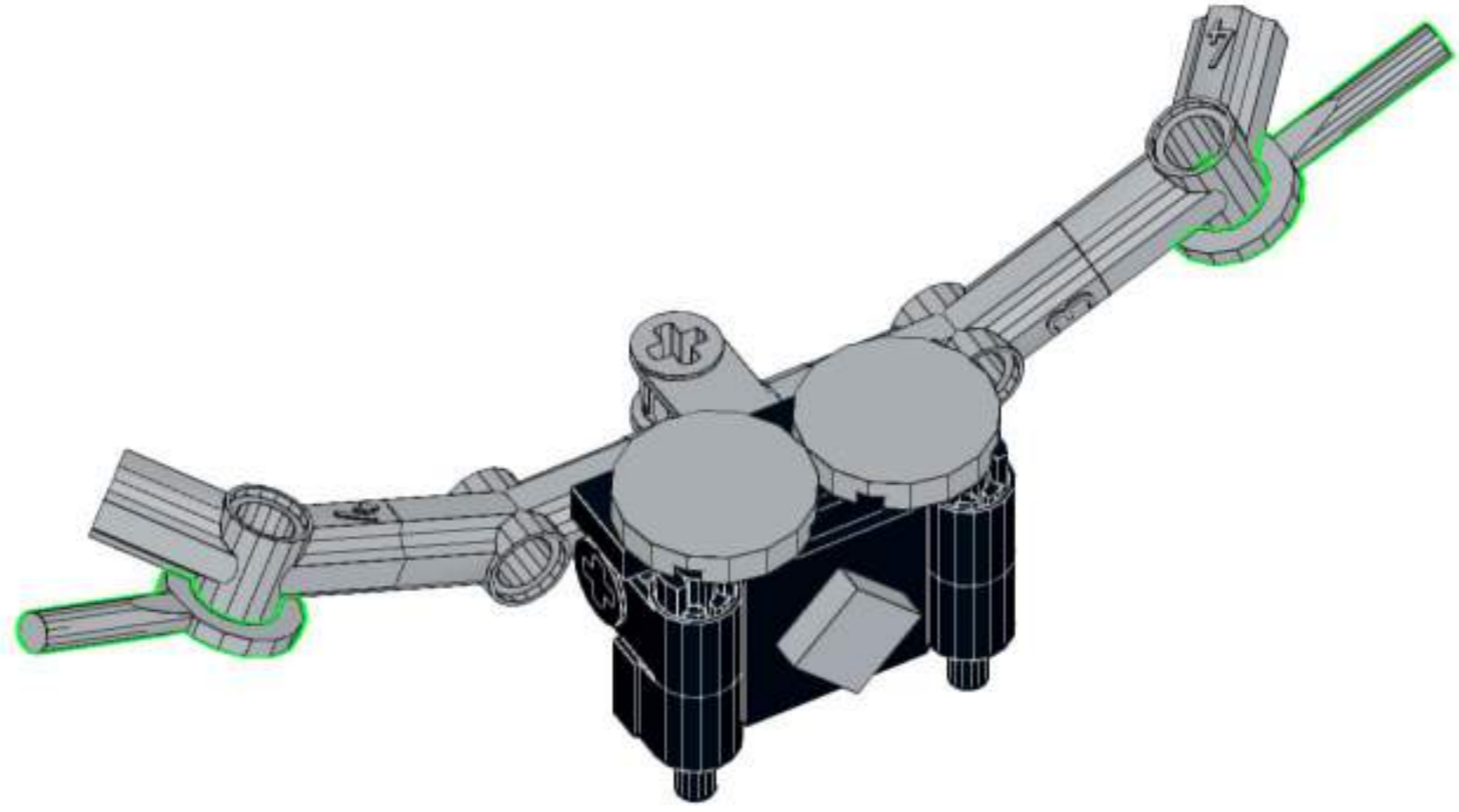
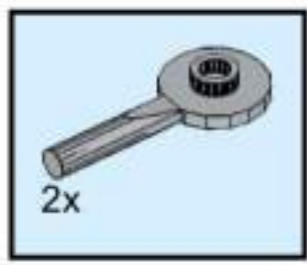
# 193



NR 4  
(check number on piece)



194

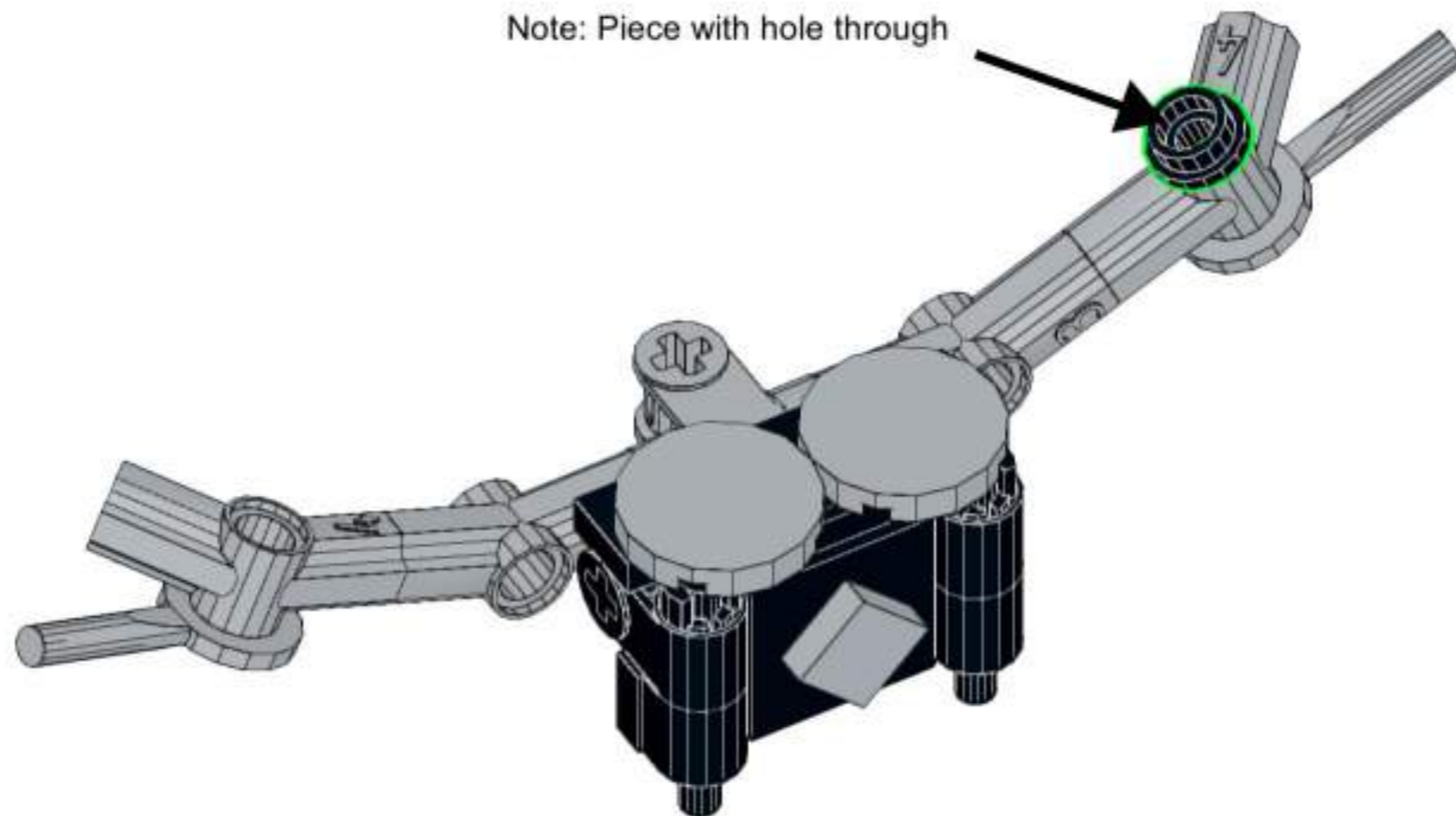




# 195



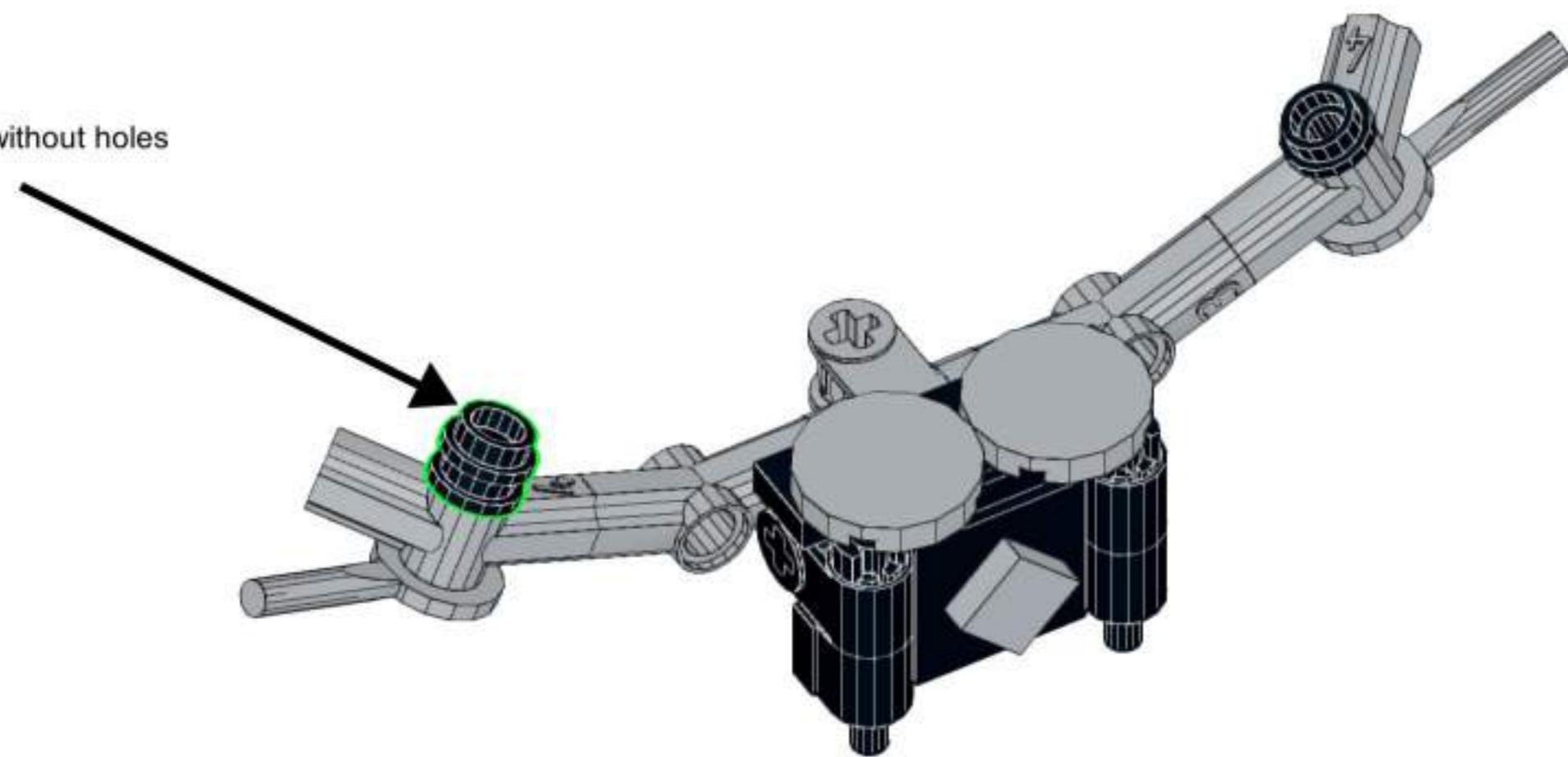
Note: Piece with hole through



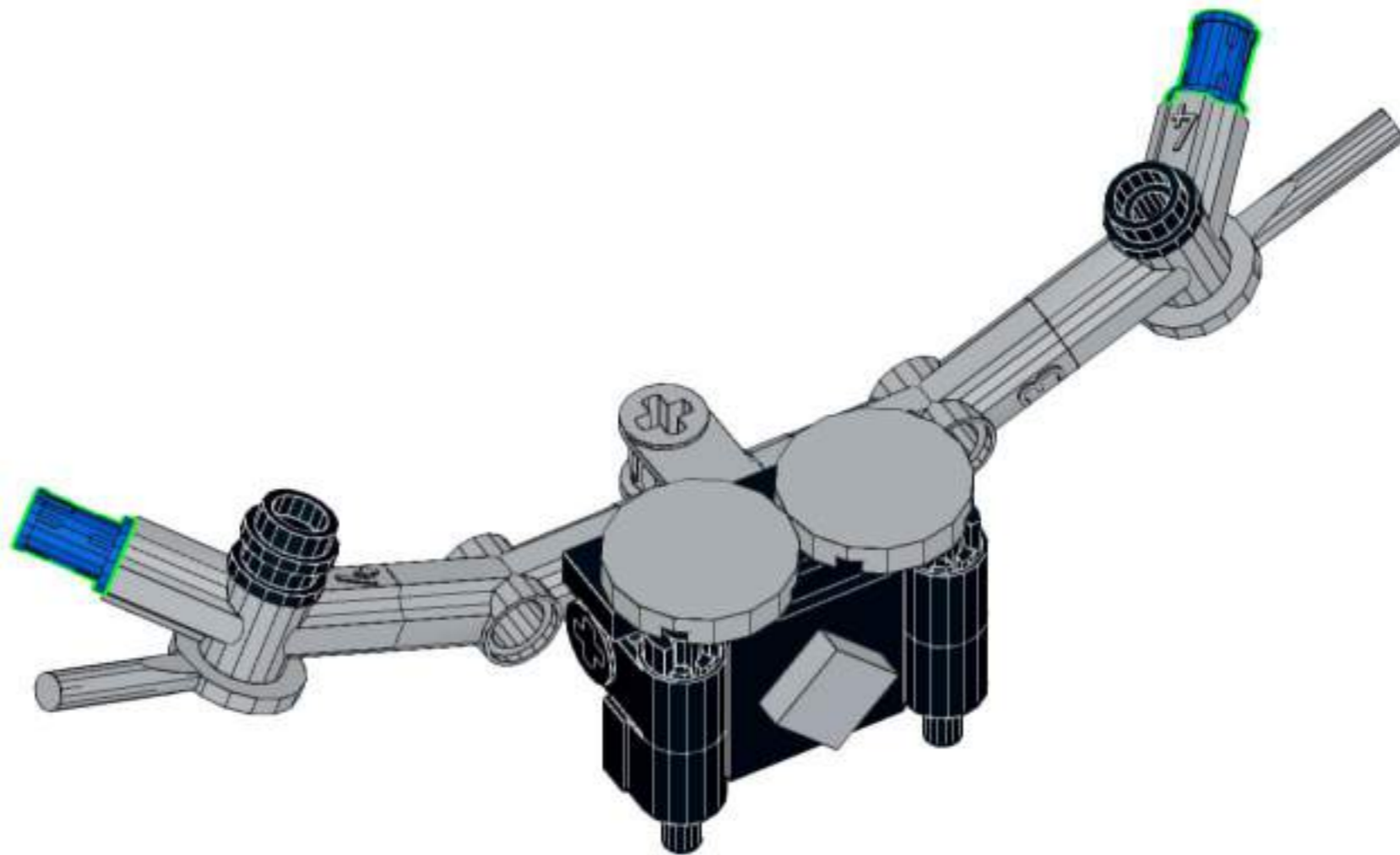
# 196



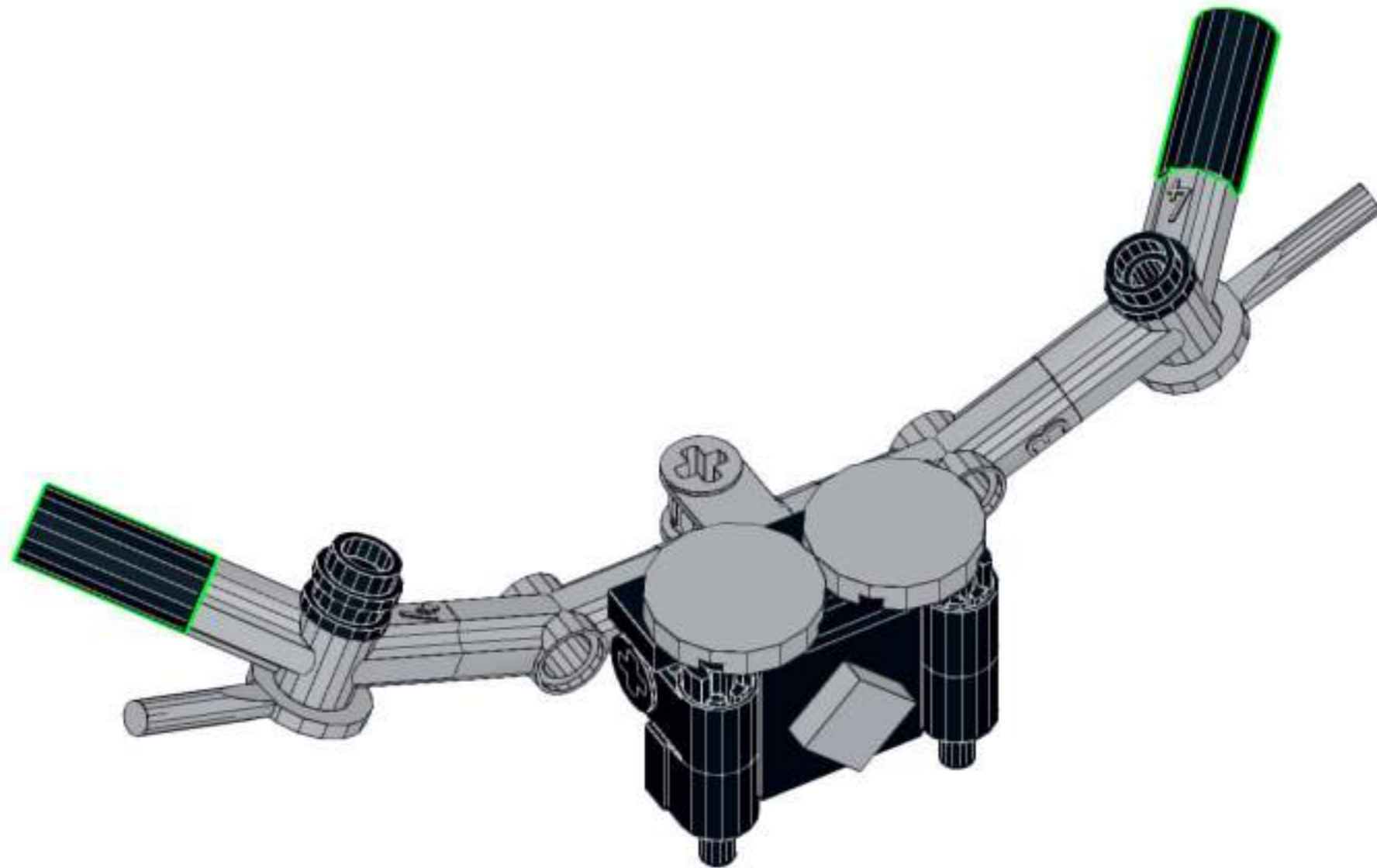
Pieces without holes

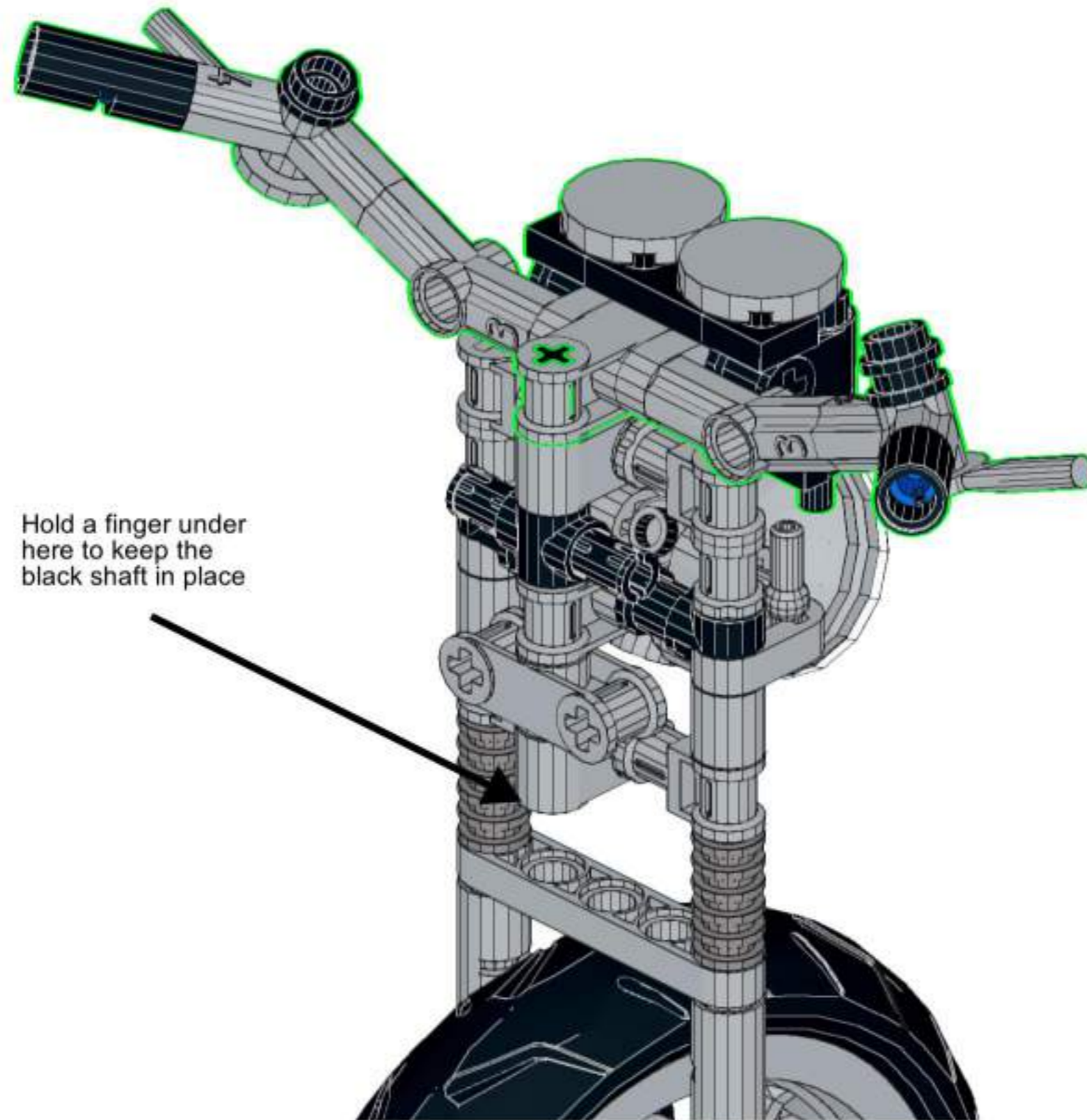


197



198

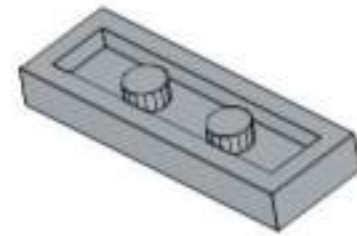
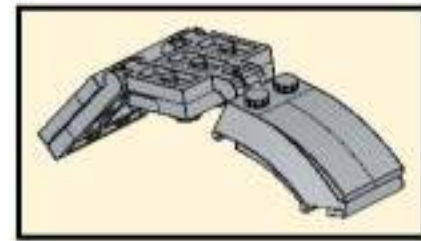
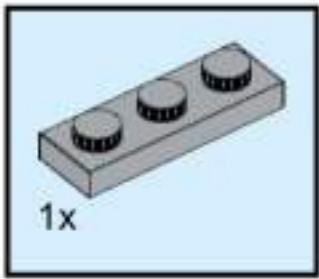




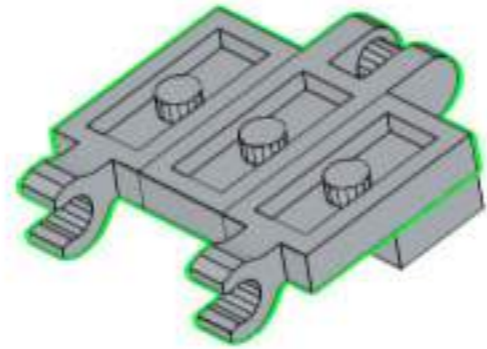
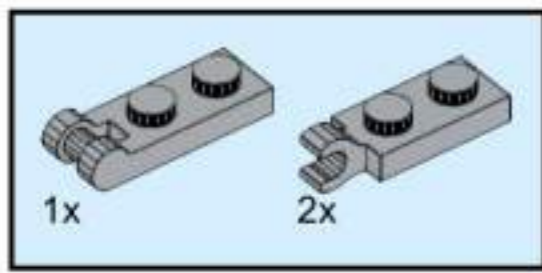
Hold a finger under here to keep the black shaft in place



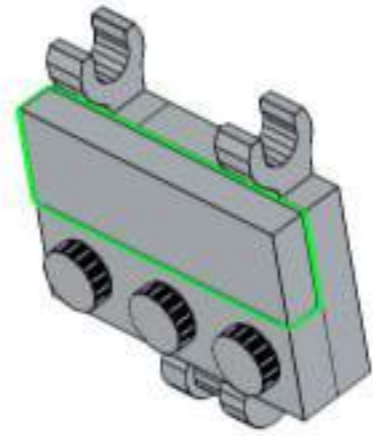
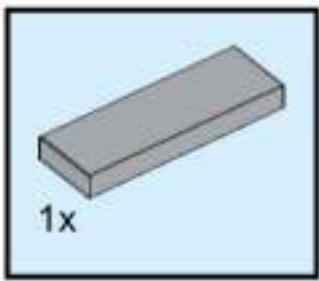
200



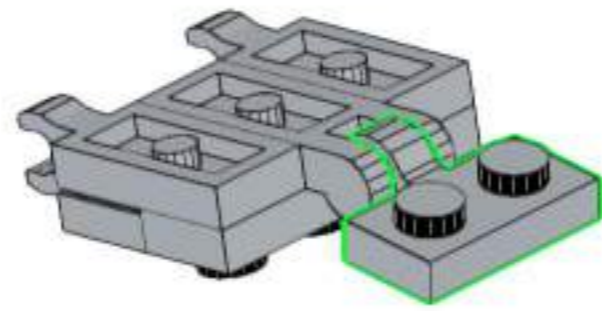
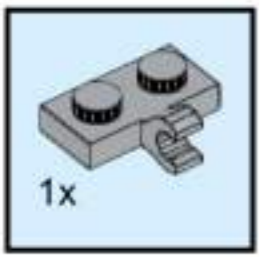
# 201



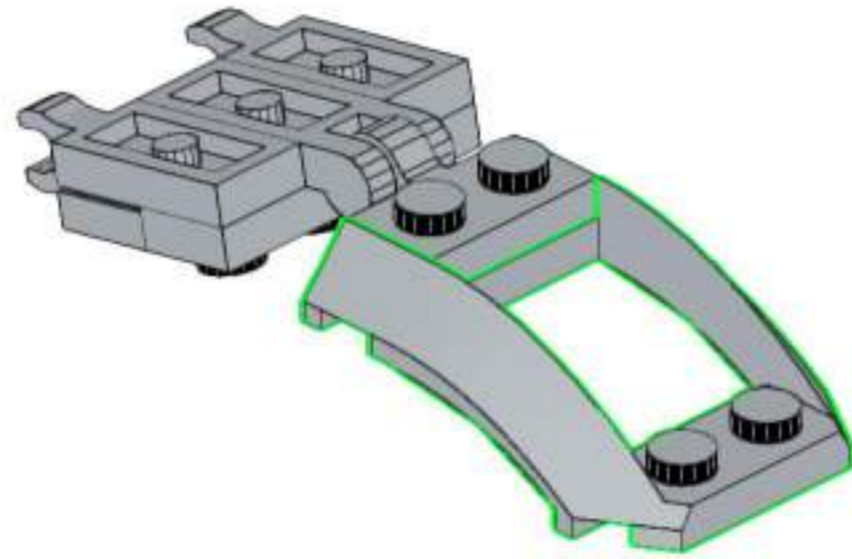
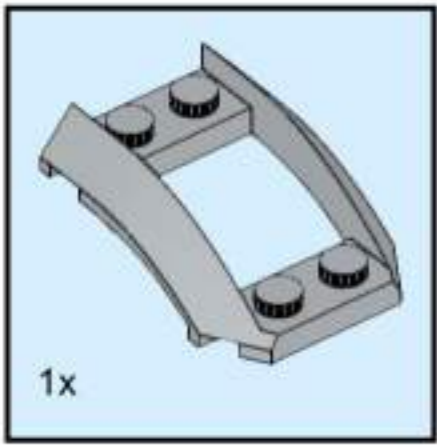
202



# 203

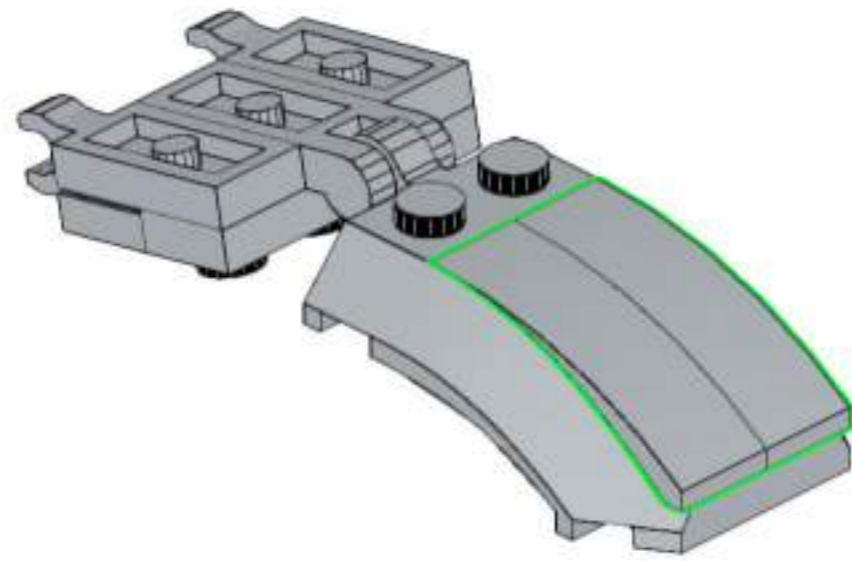
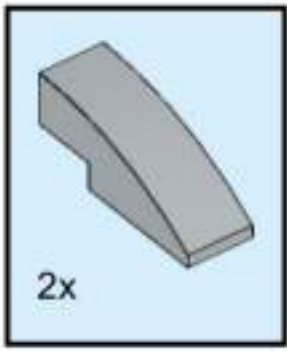


204

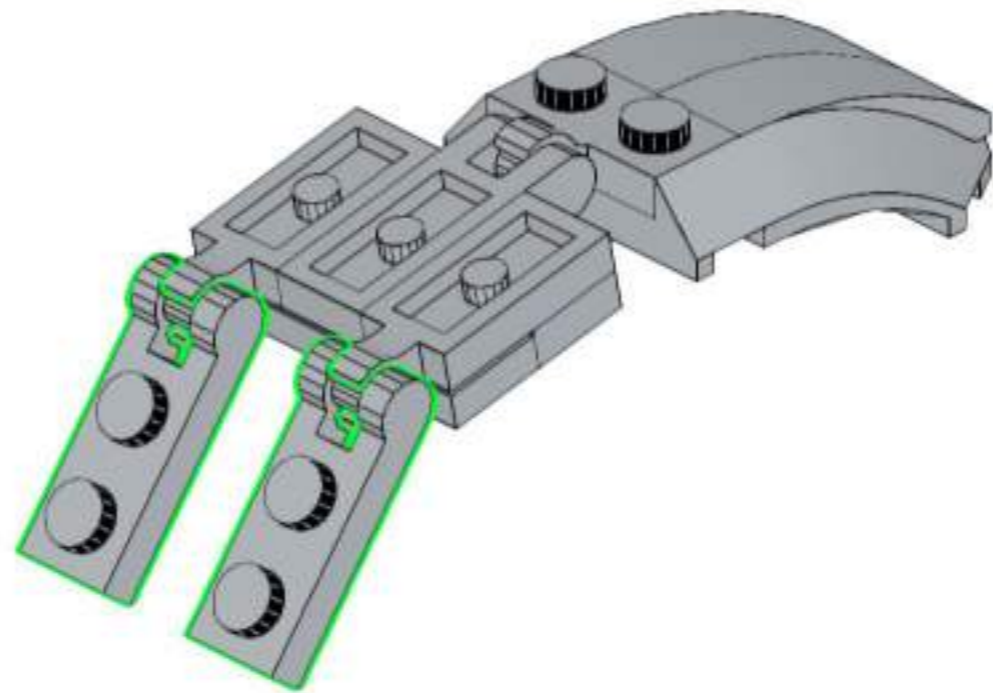
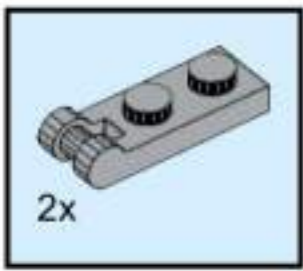




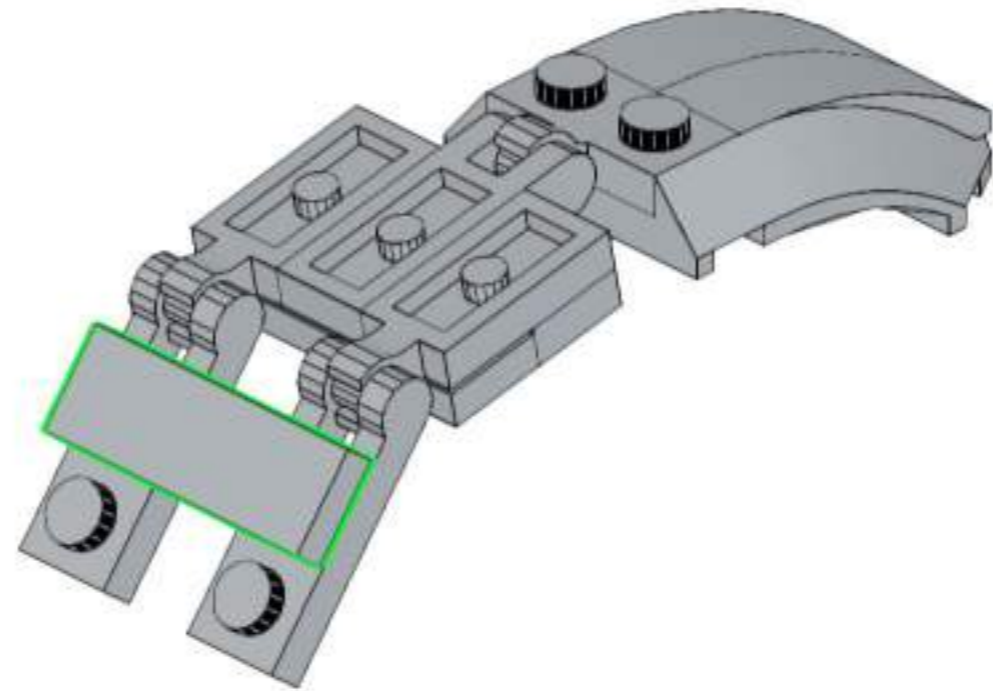
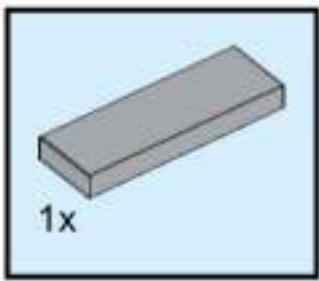
205



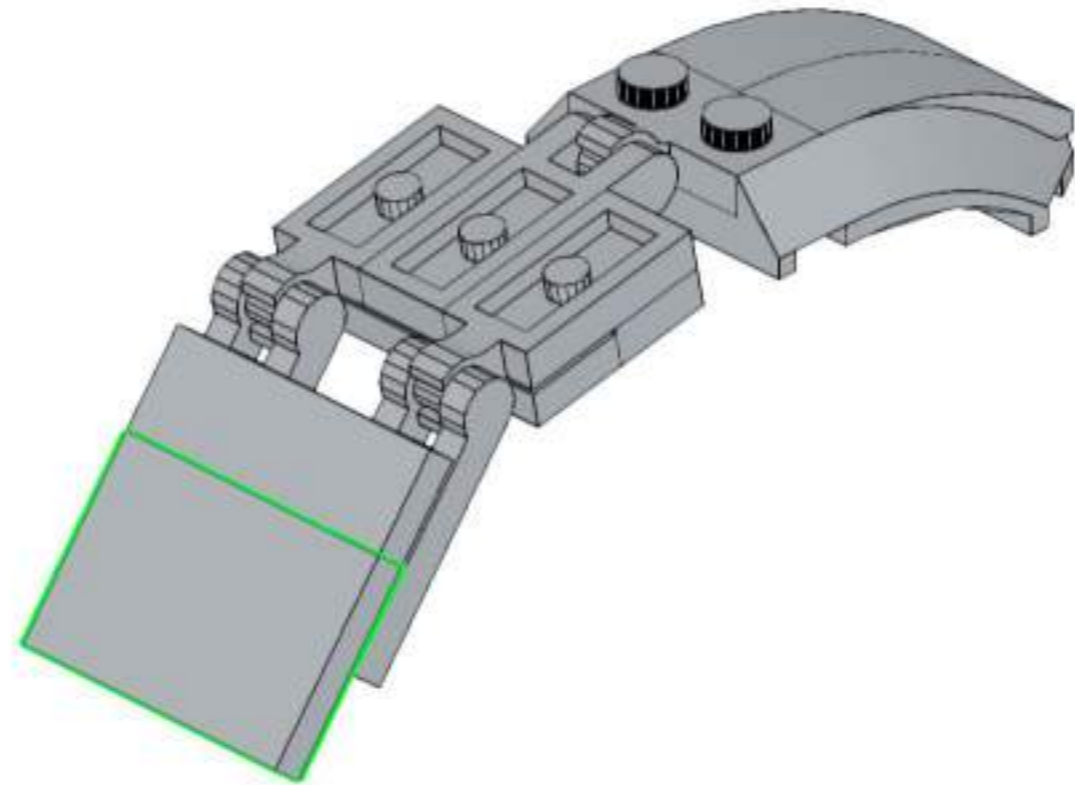
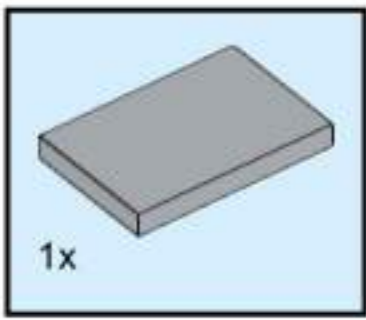
206



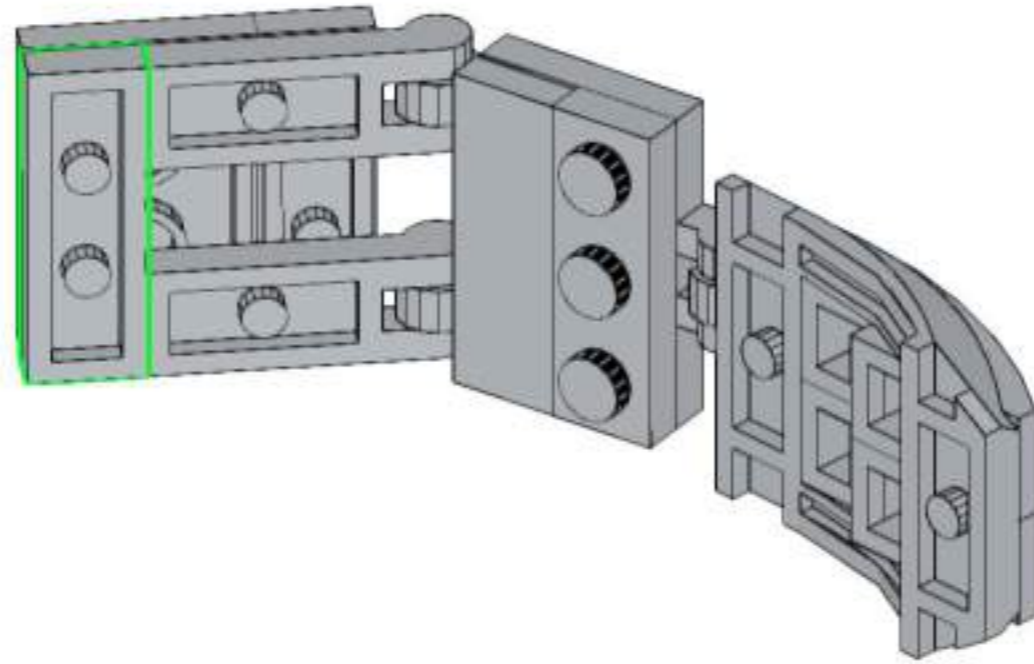
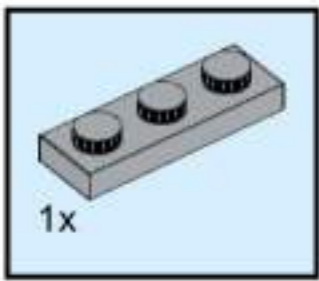
207



208

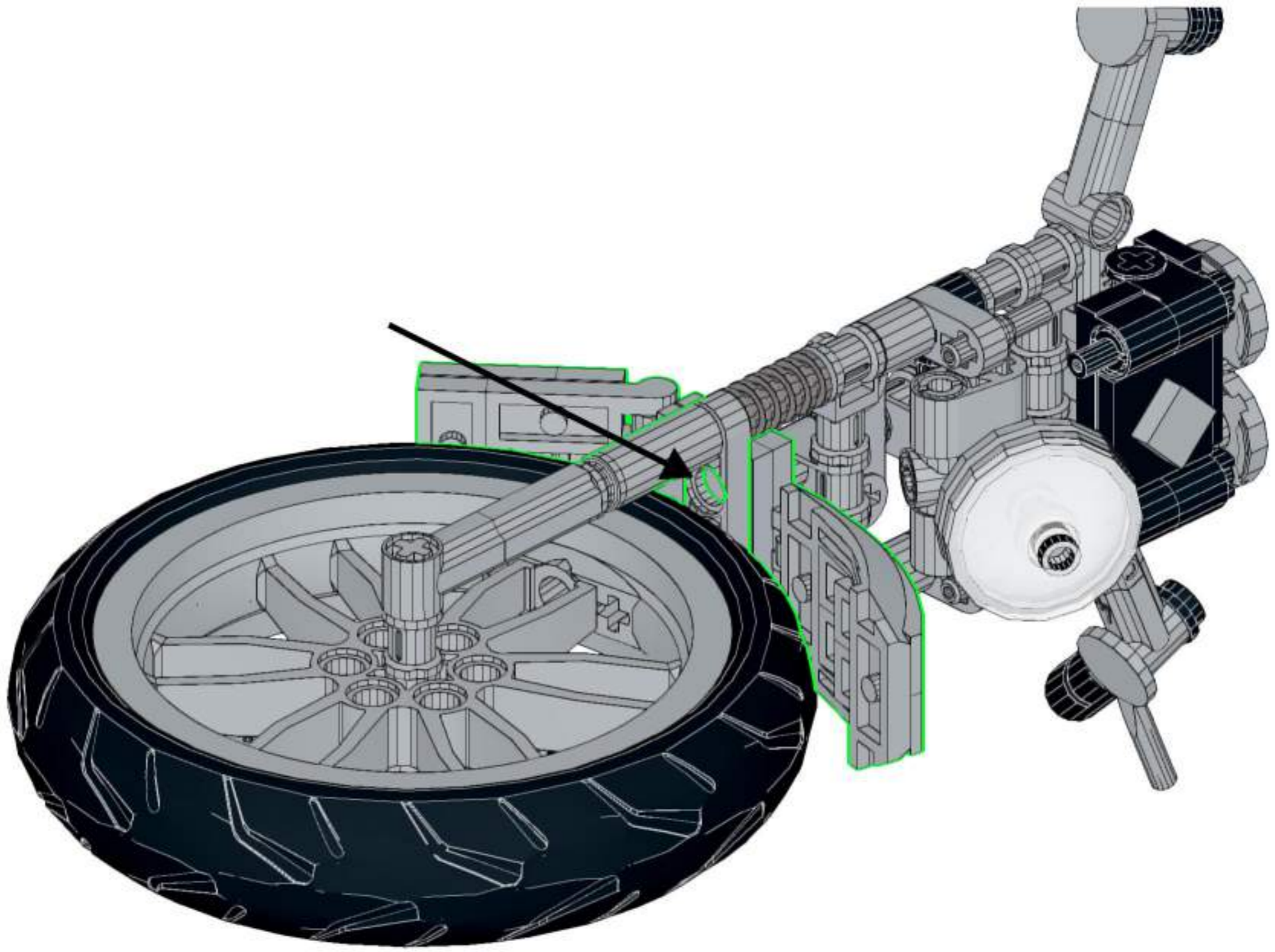


# 209



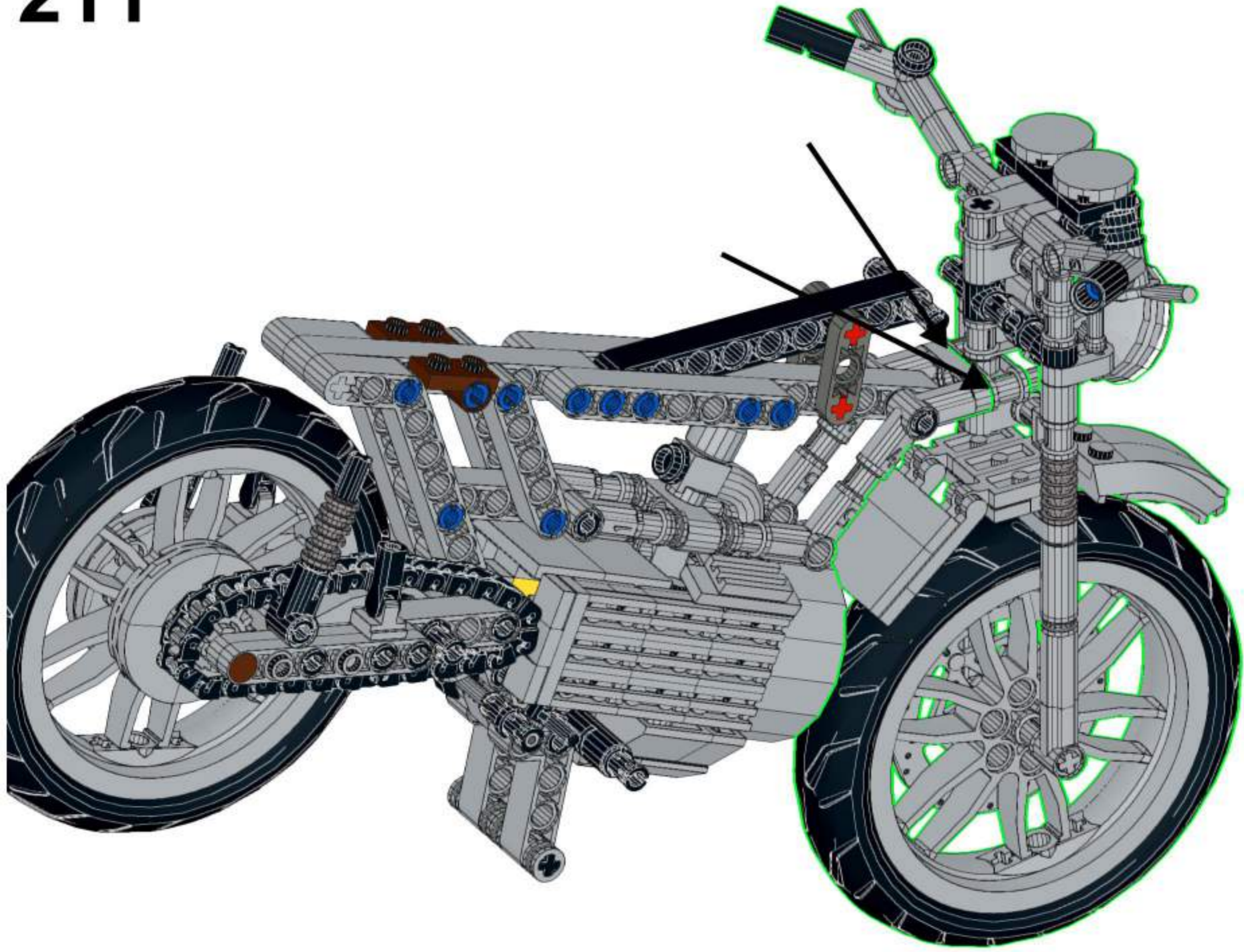


210



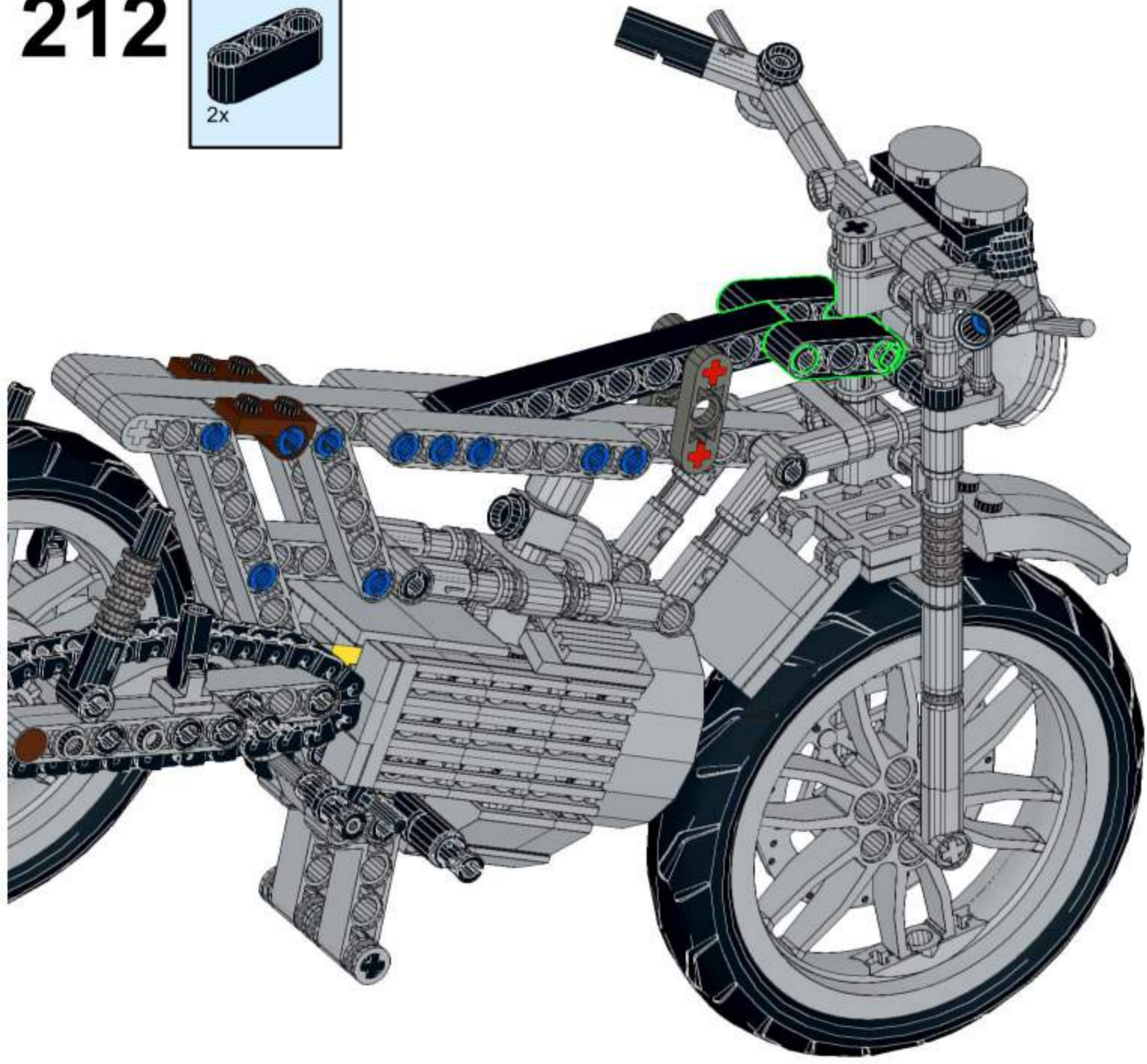


211

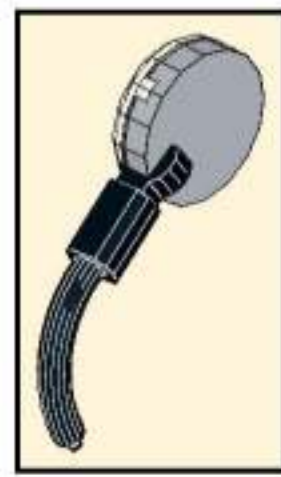
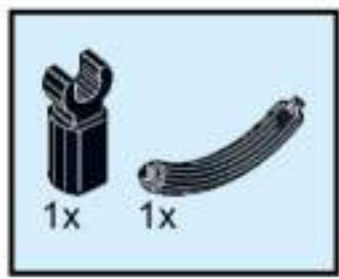




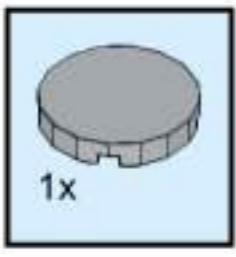
212



# 213

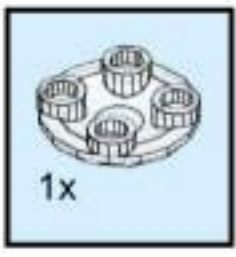


214



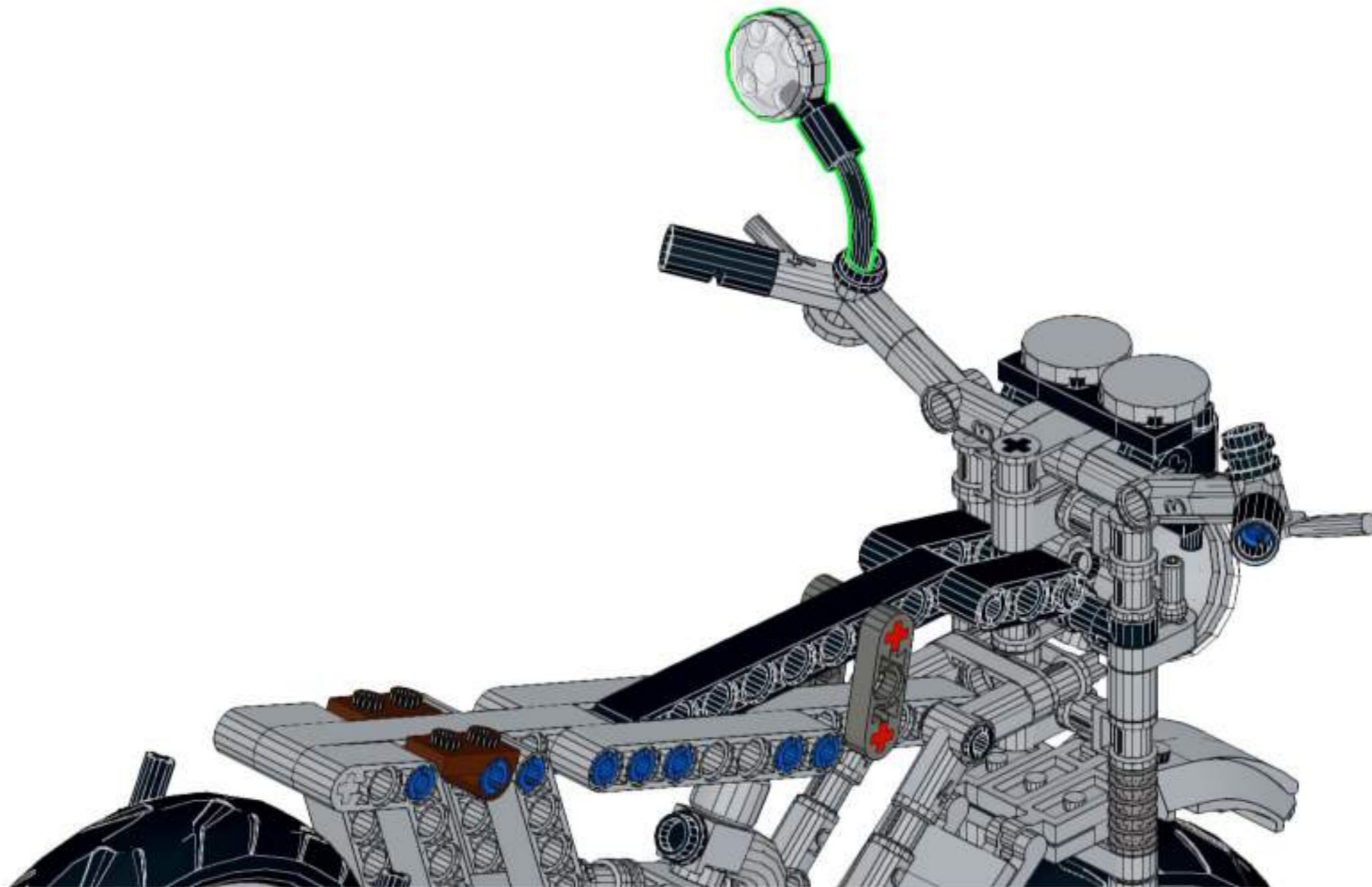


# 215

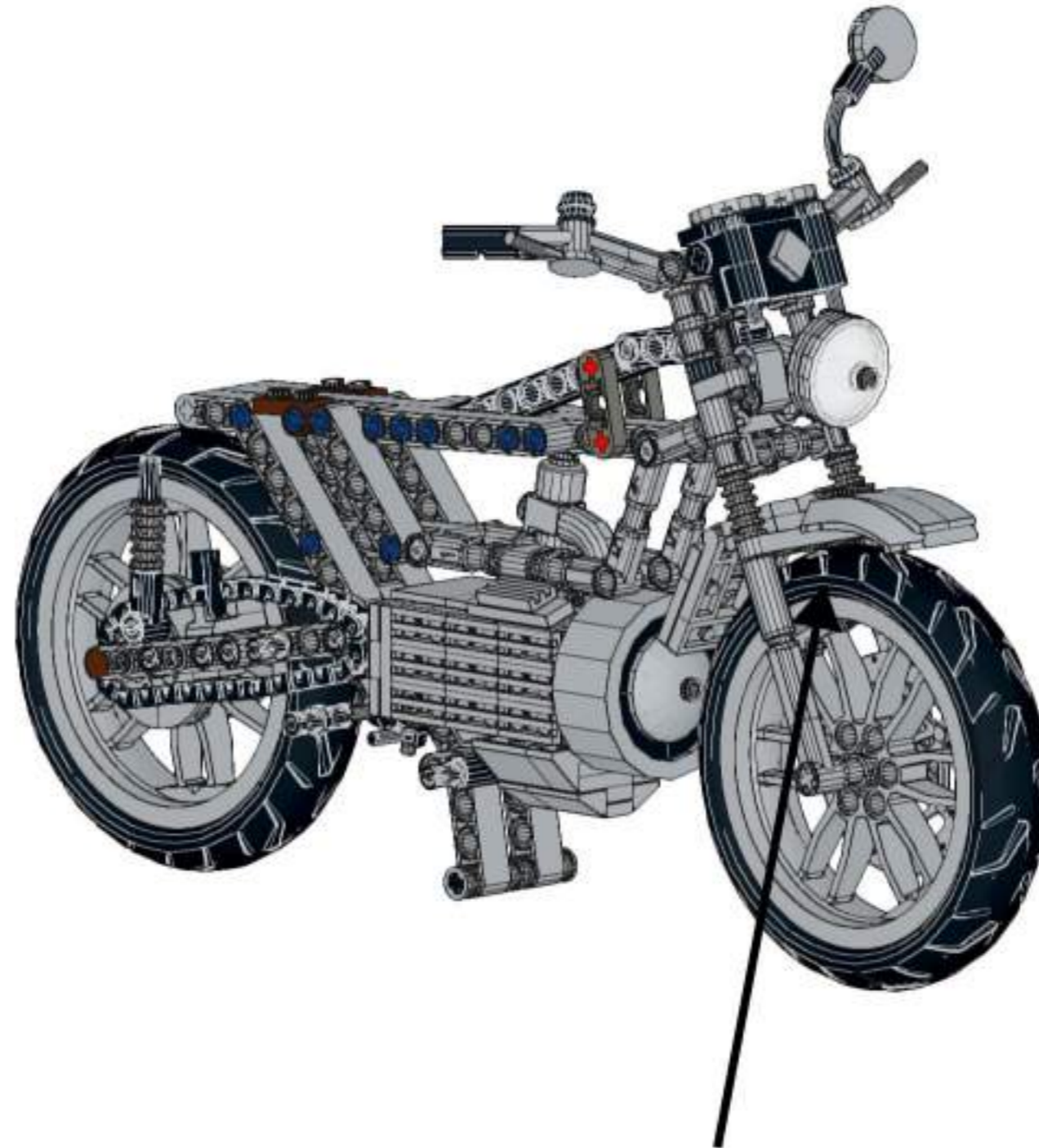


This clear piece will be on at an angle to allow space for the black holder, this is as it is designed



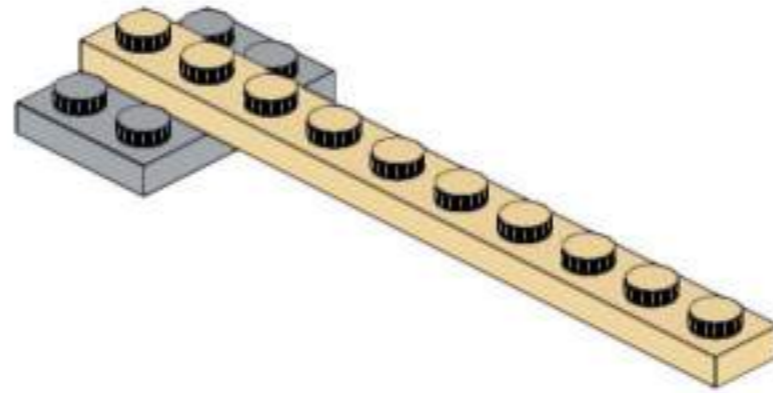
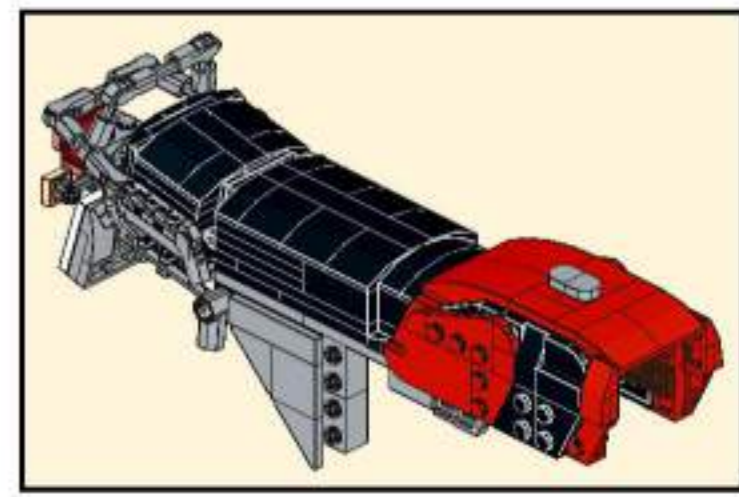
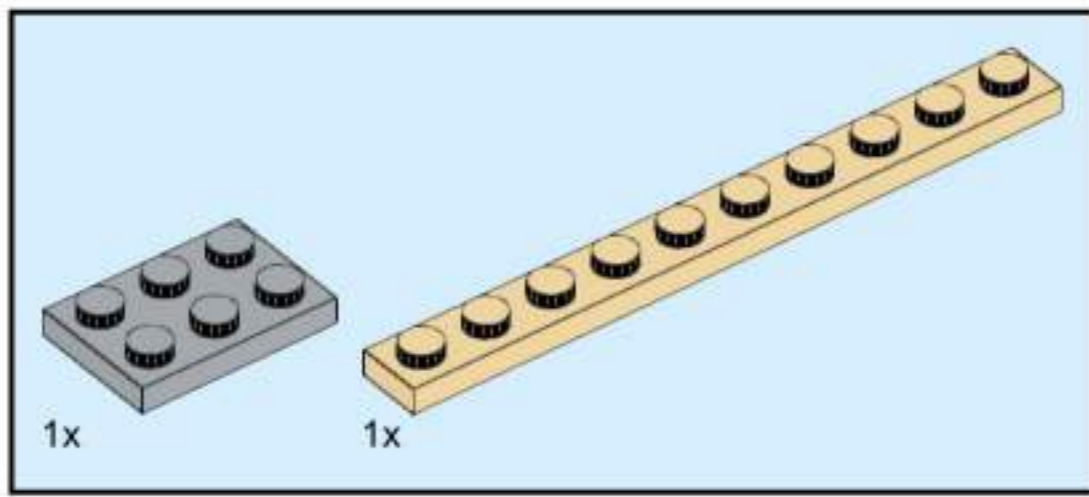


Congratulations, you have now built the base complete.

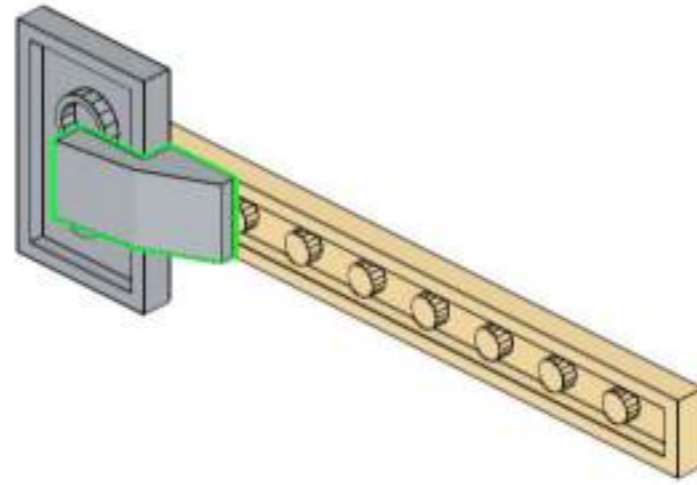
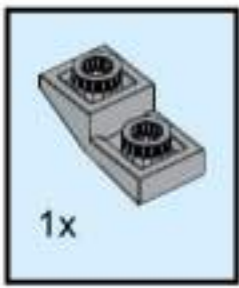


You may have to adjust the clearance for the wheel here by pushing up the mudguard

# 218

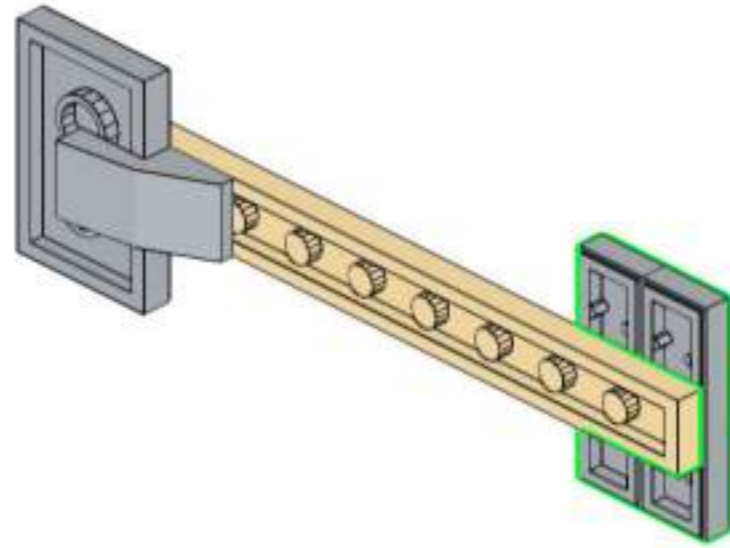
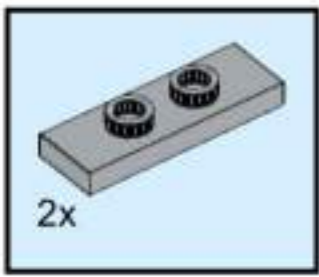


# 219

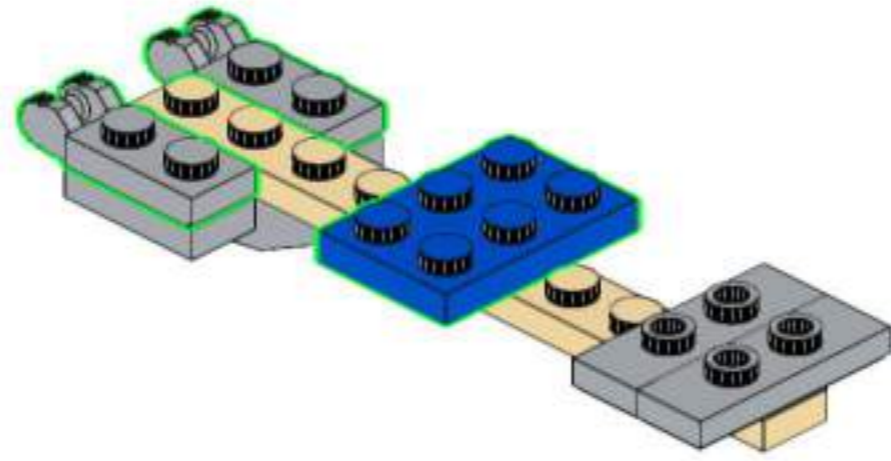
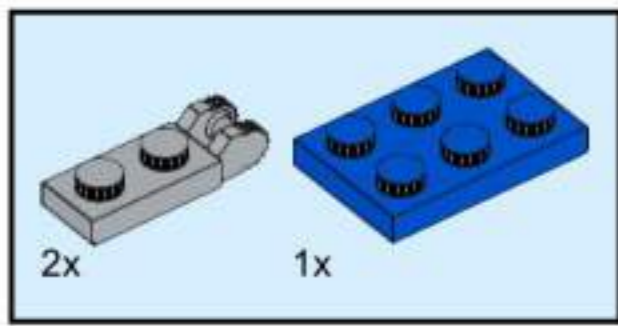




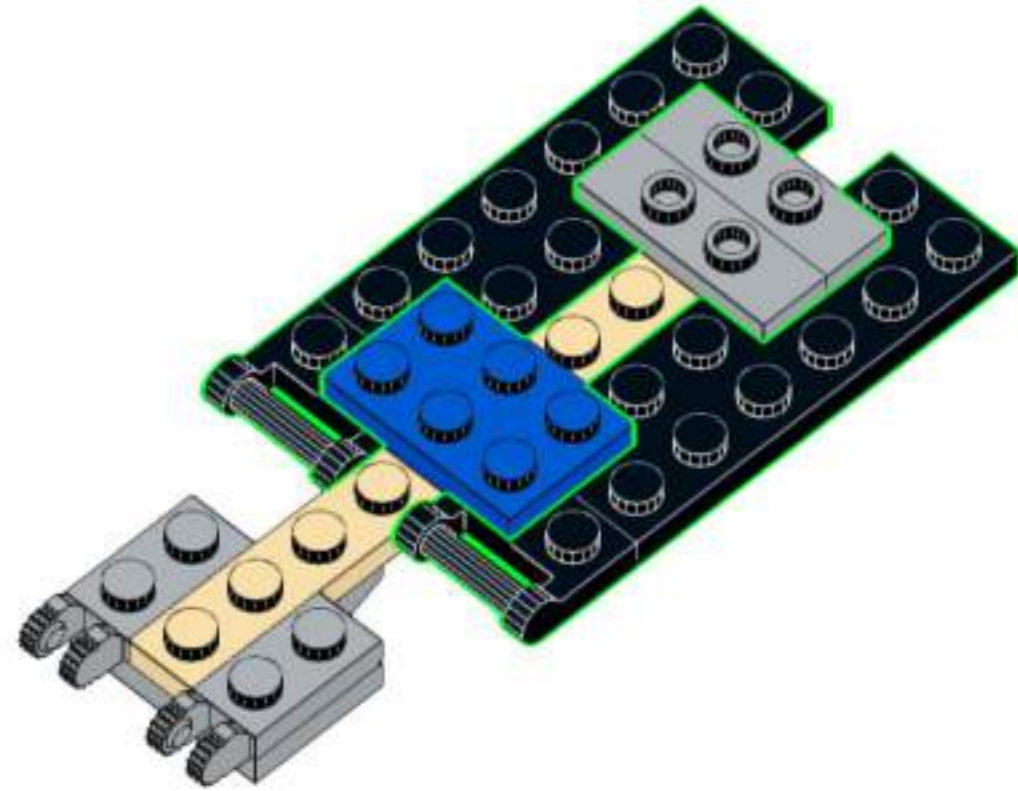
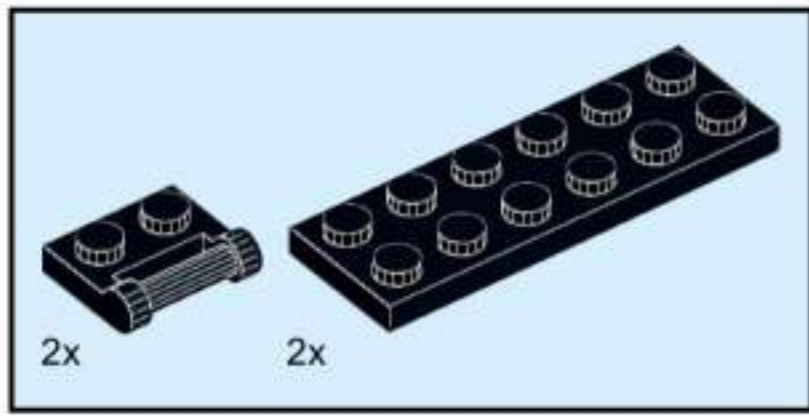
220



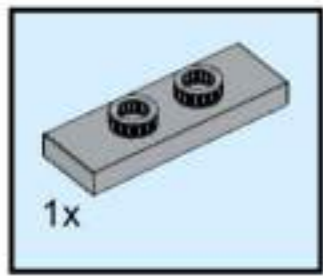
# 221



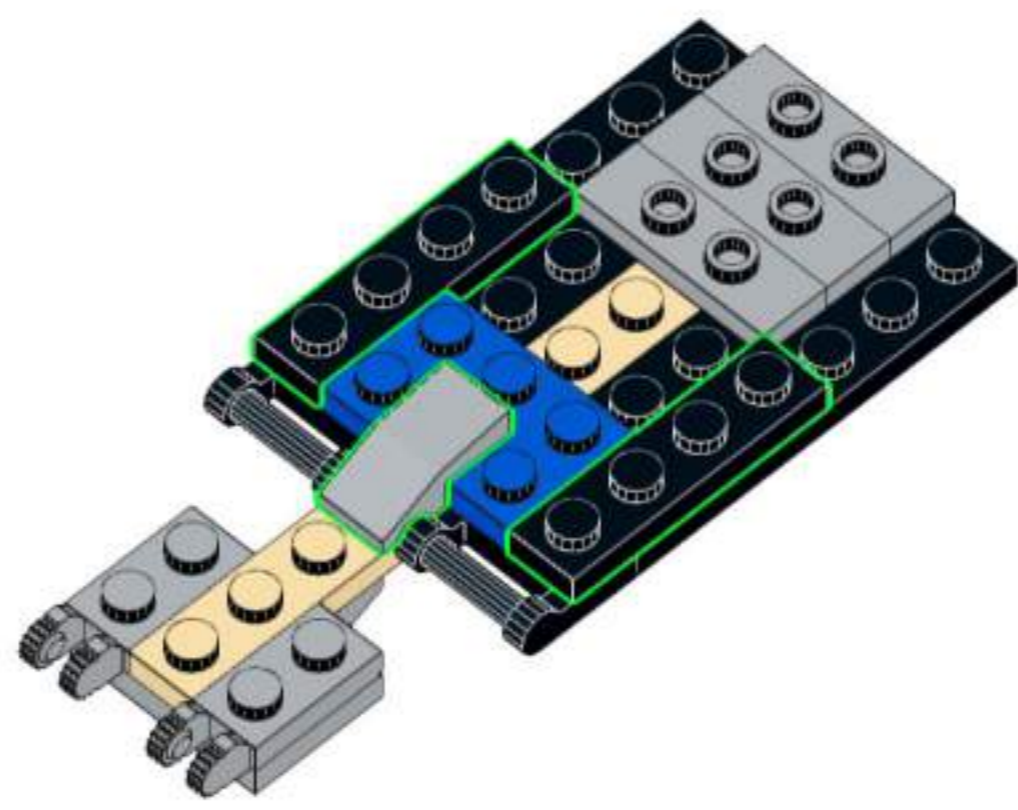
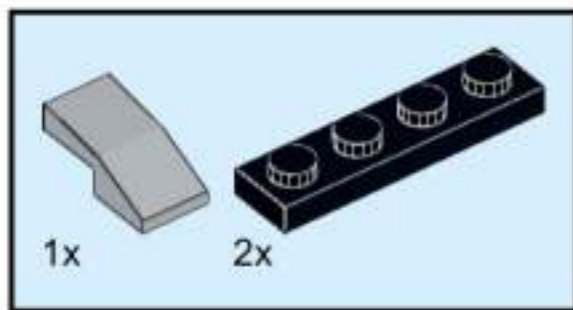
# 222



223

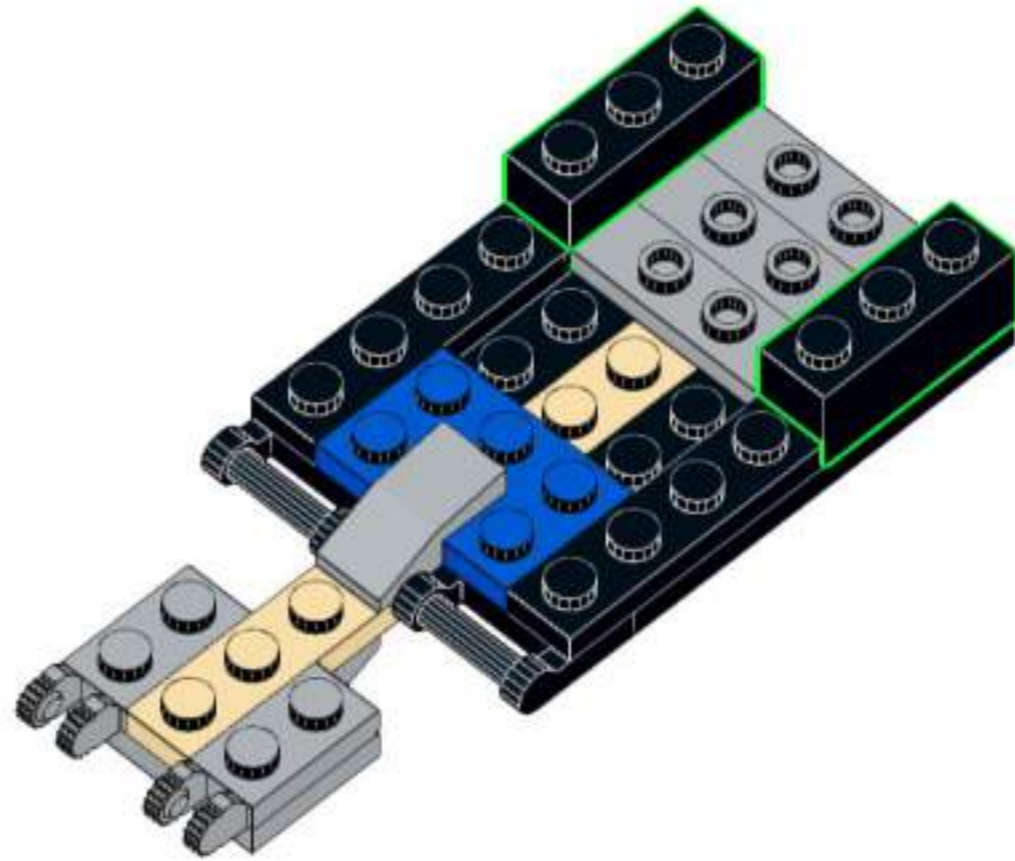
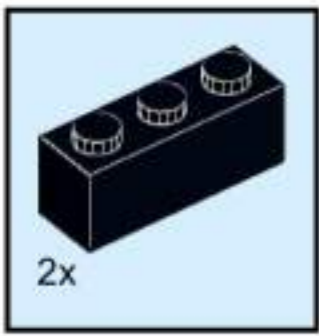


# 224

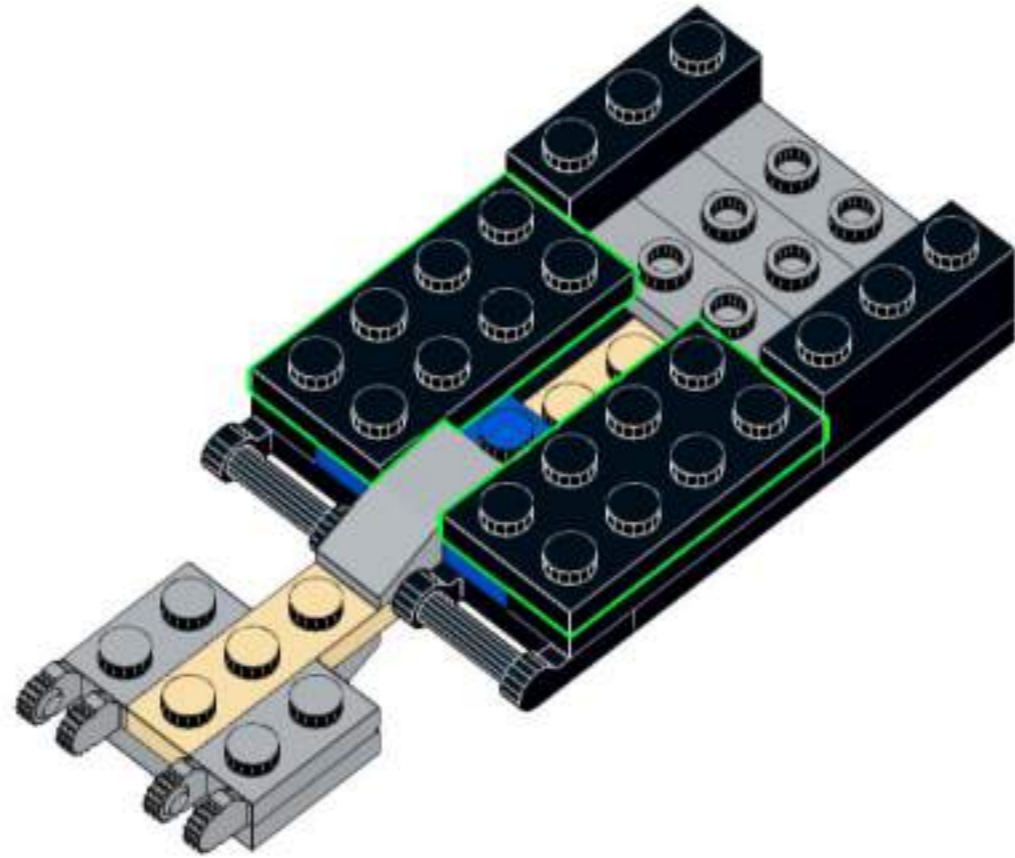
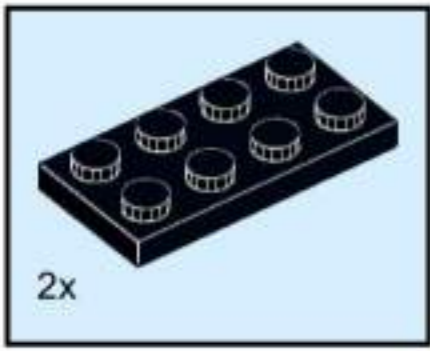




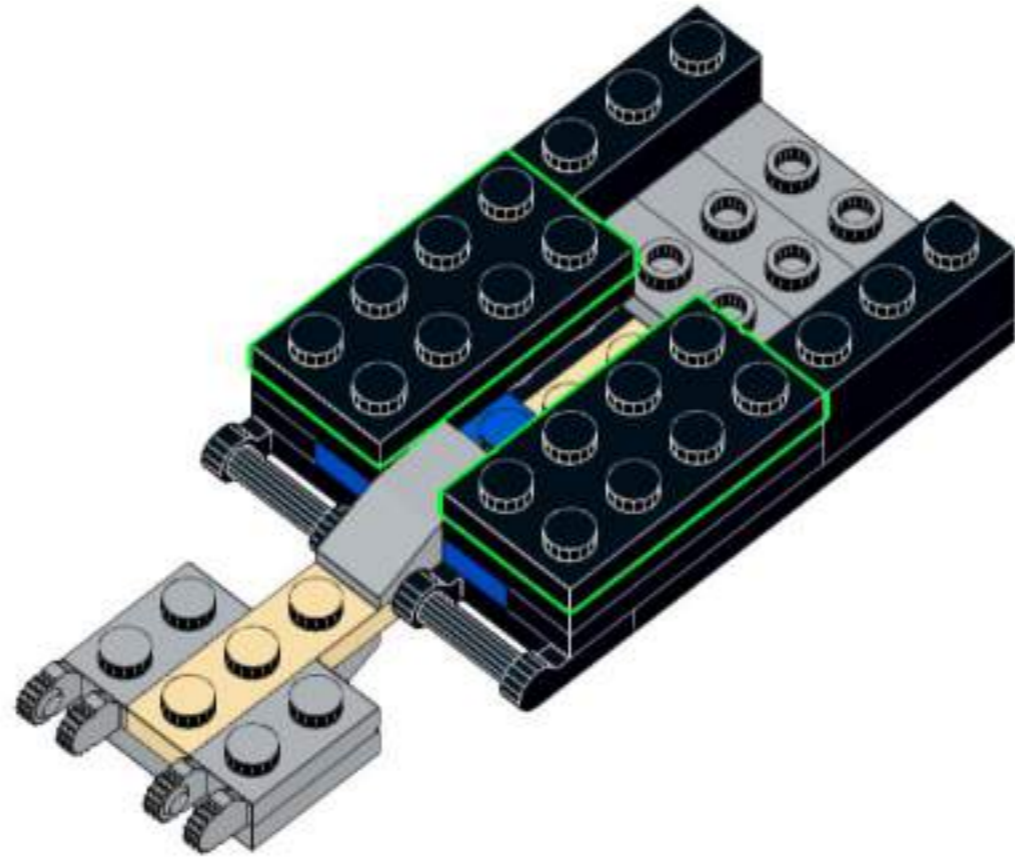
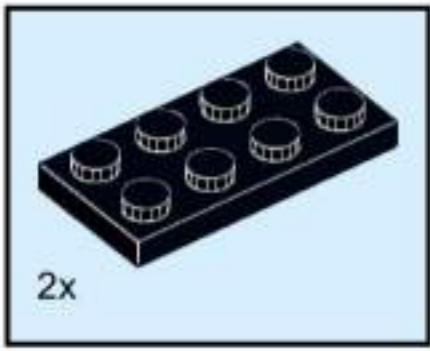
225



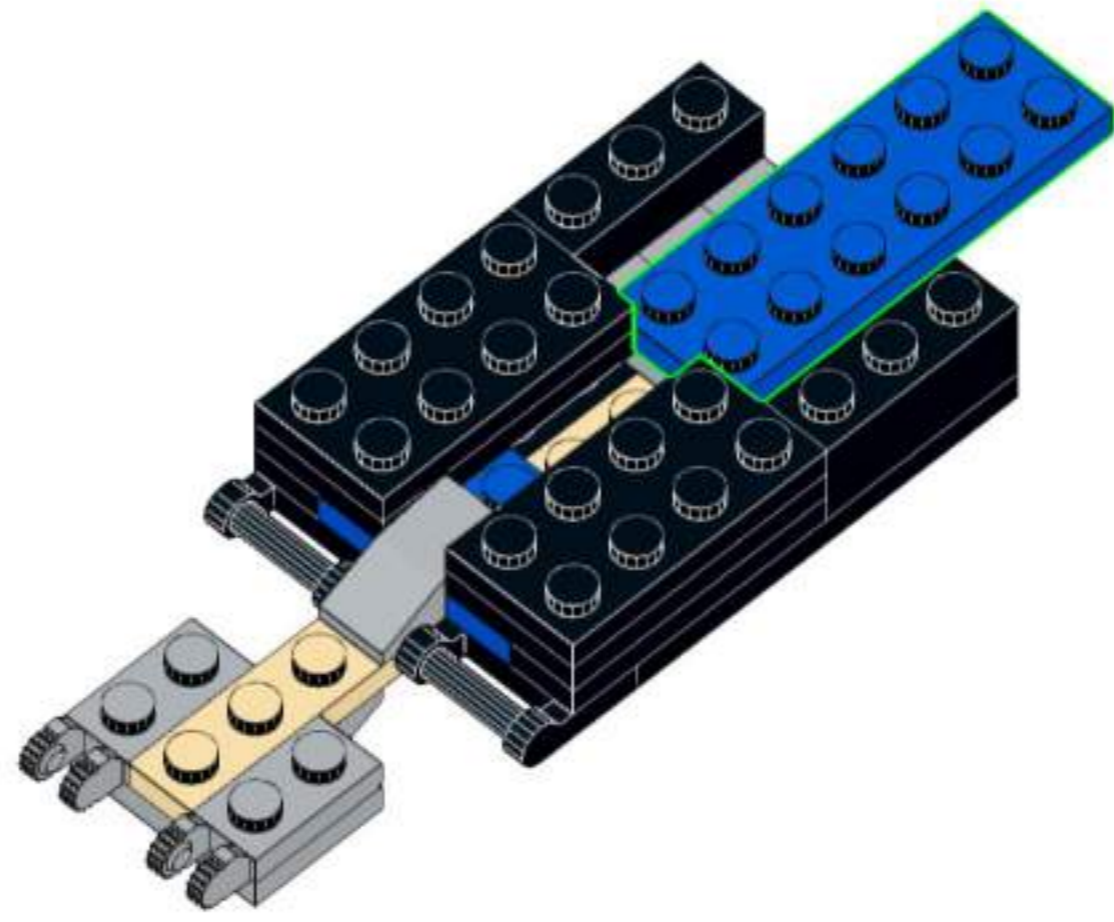
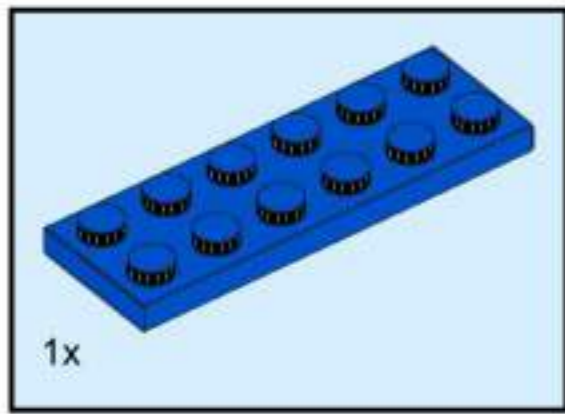
226



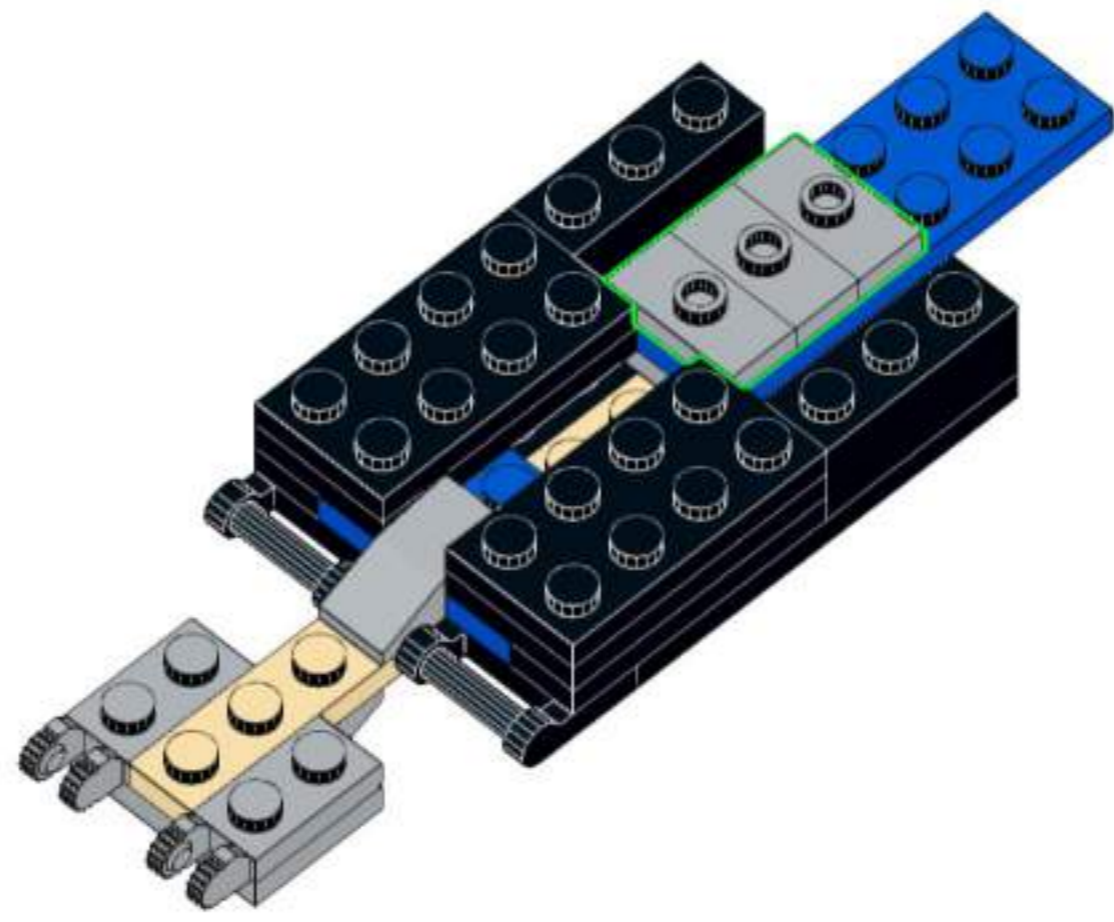
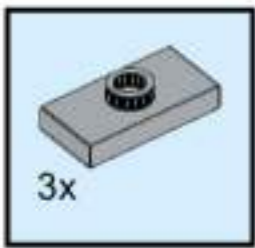
# 227



228

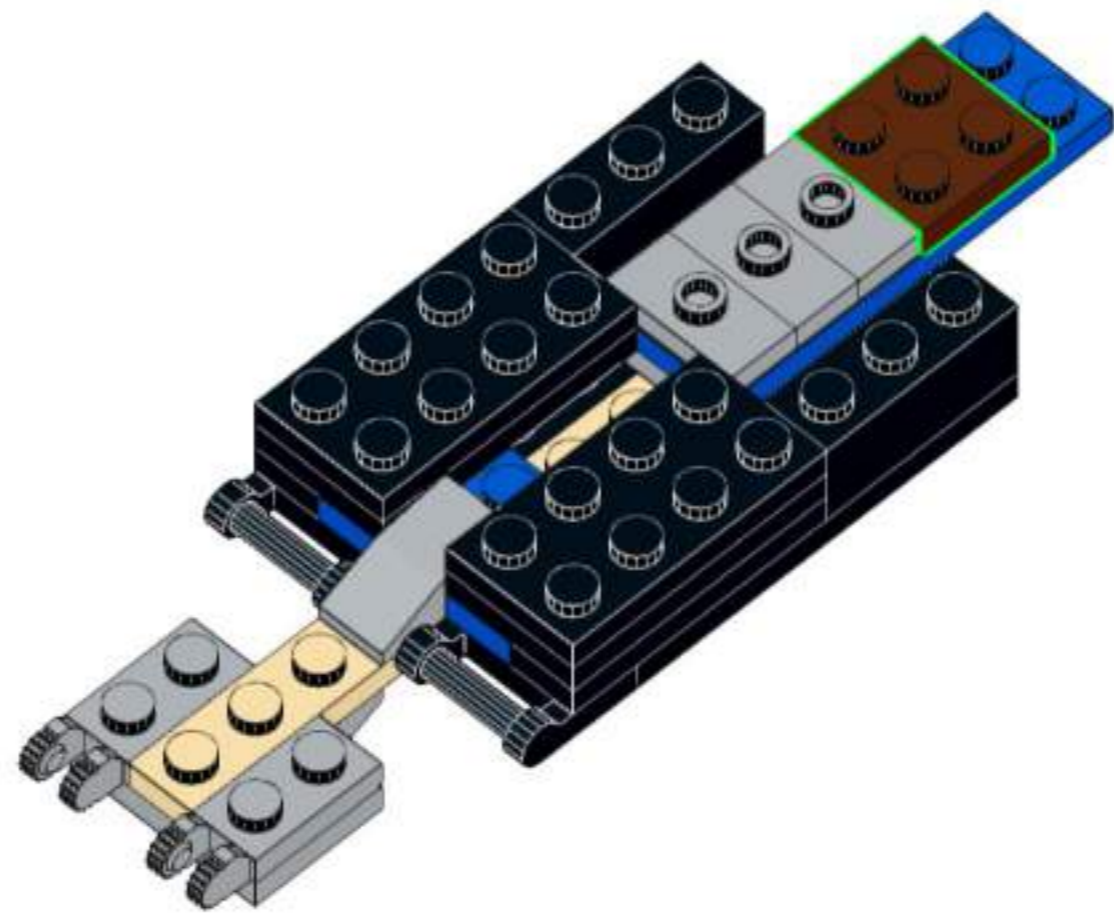
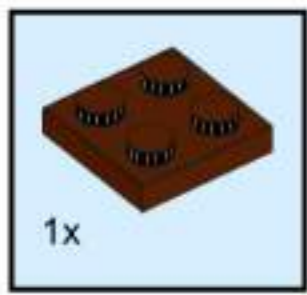


229

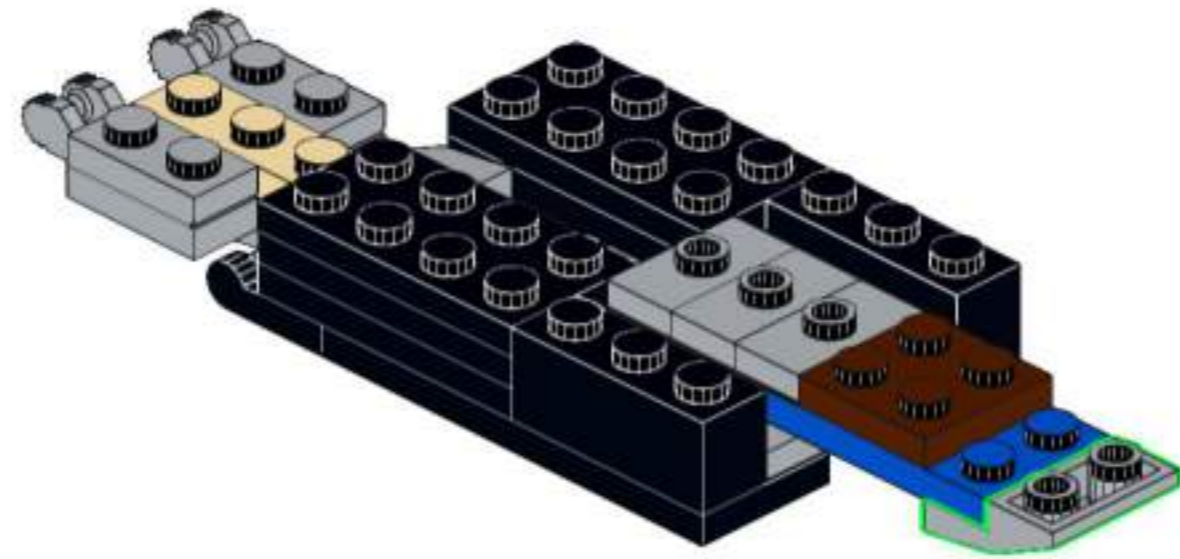
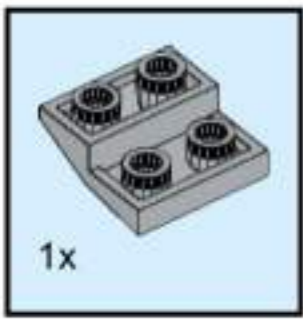




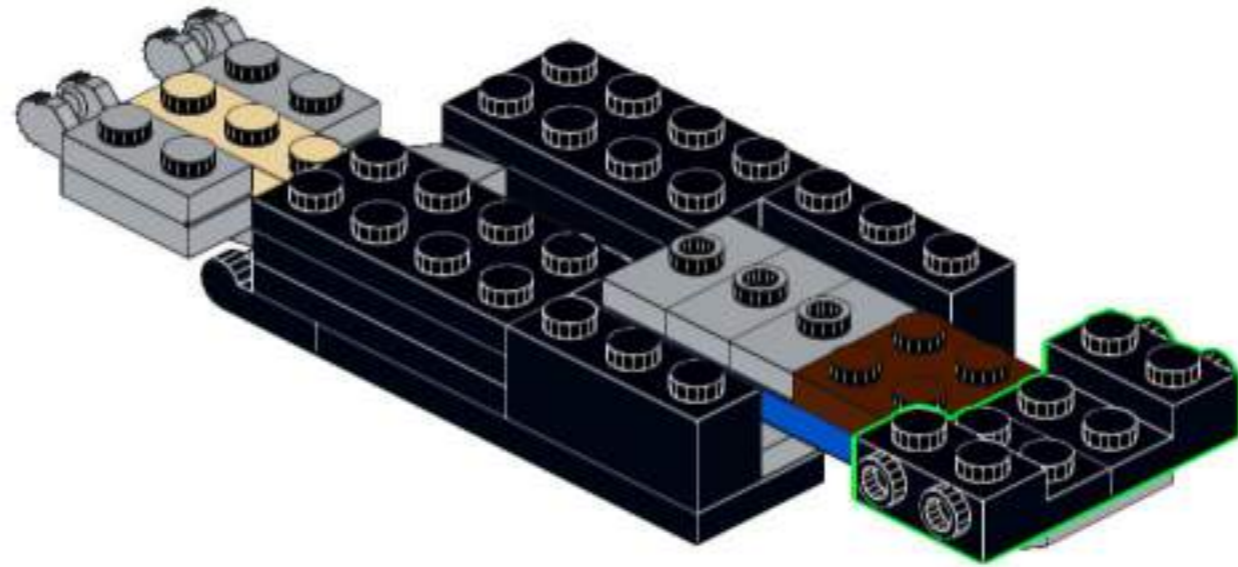
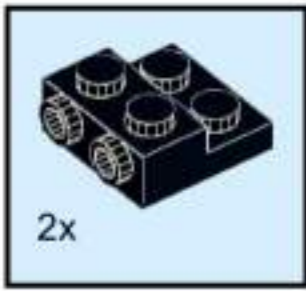
230



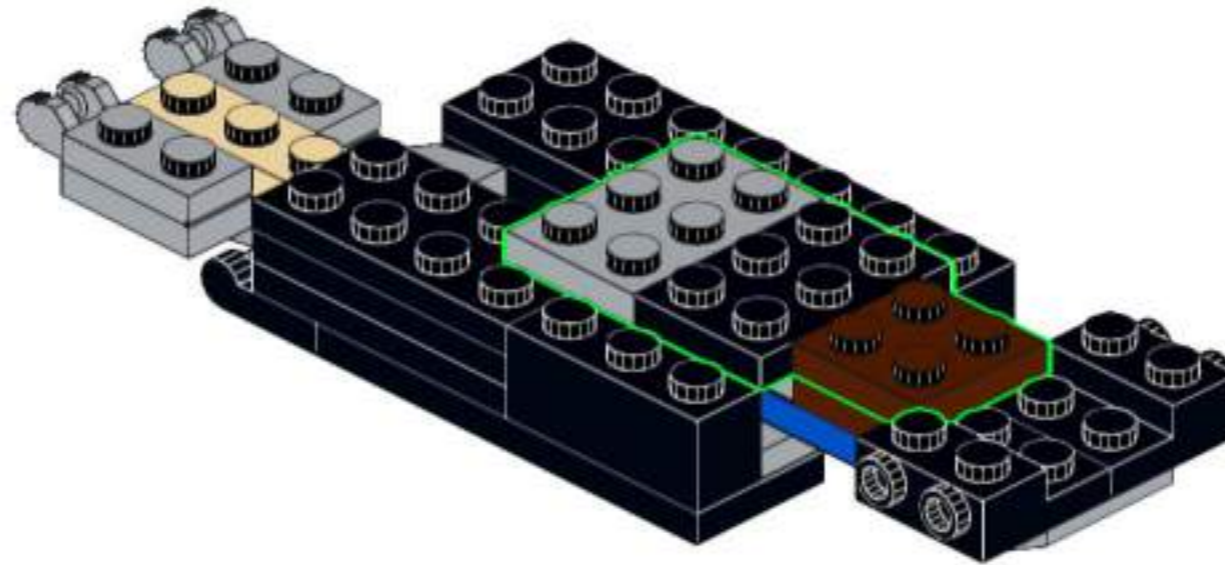
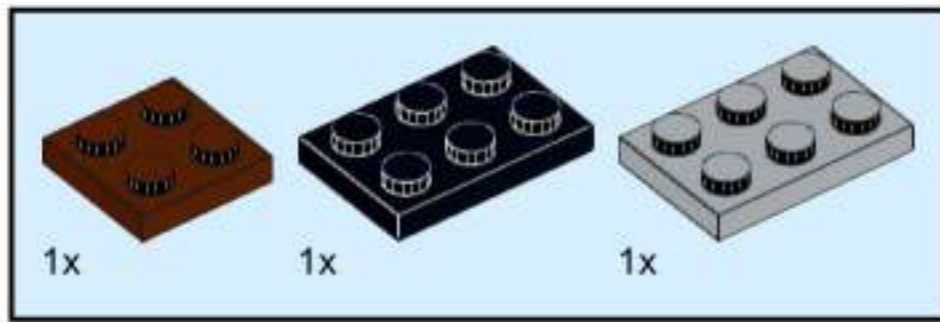
231



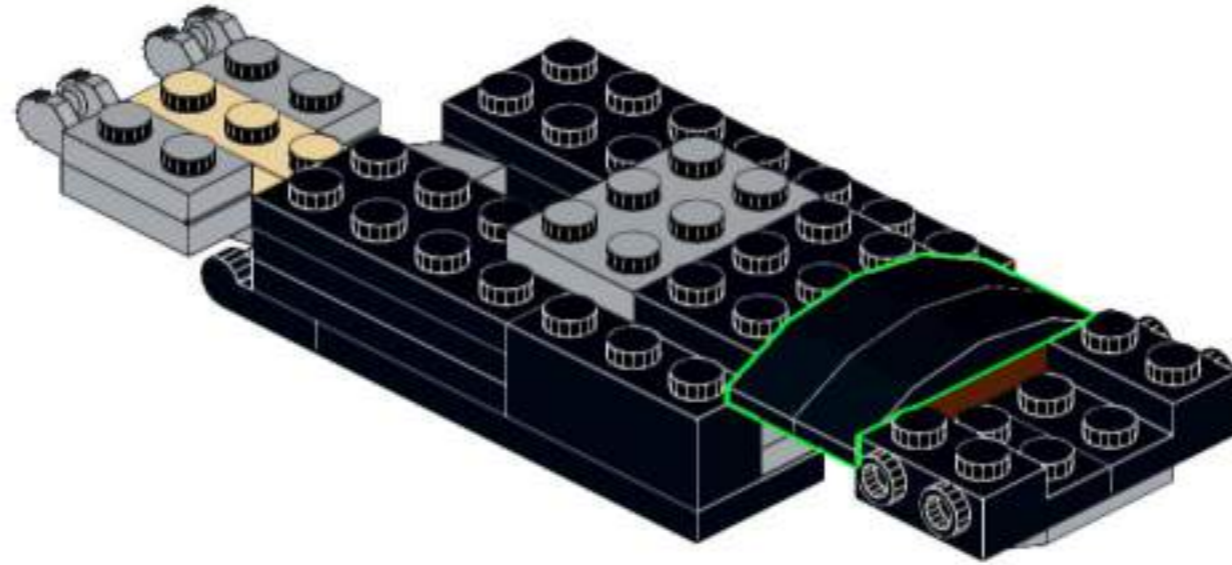
232



# 233

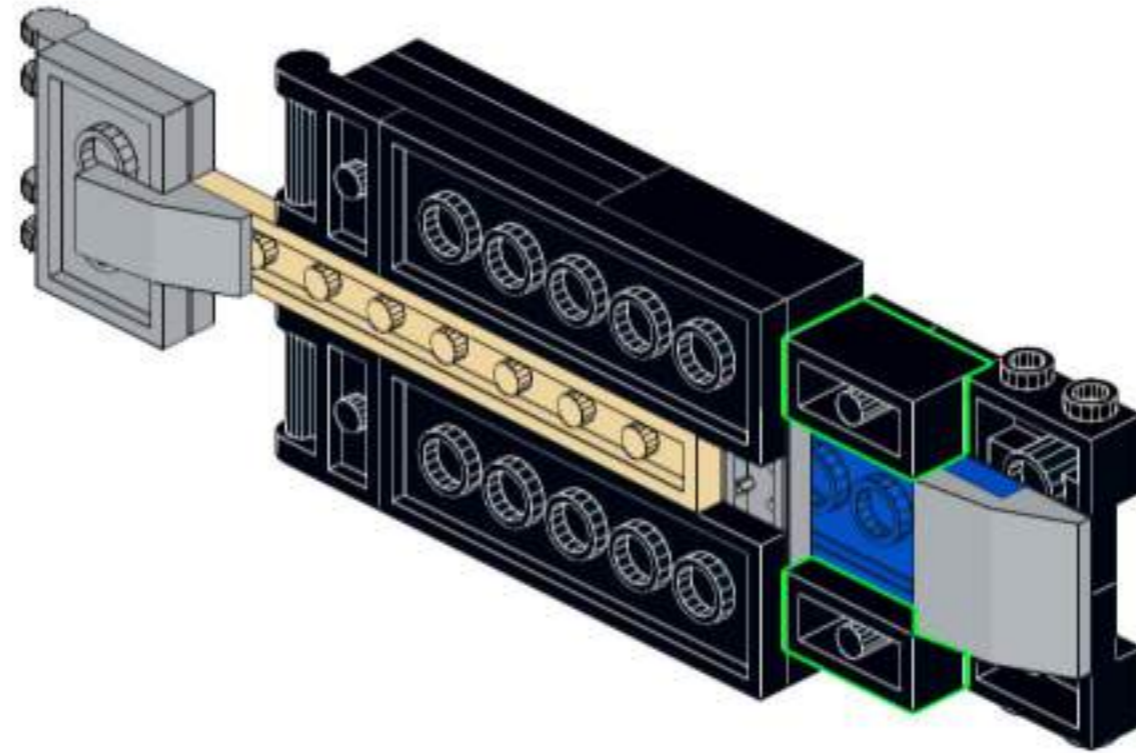
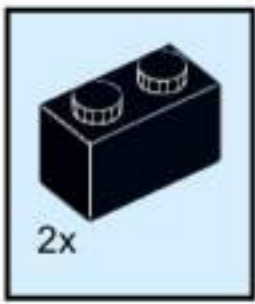


234

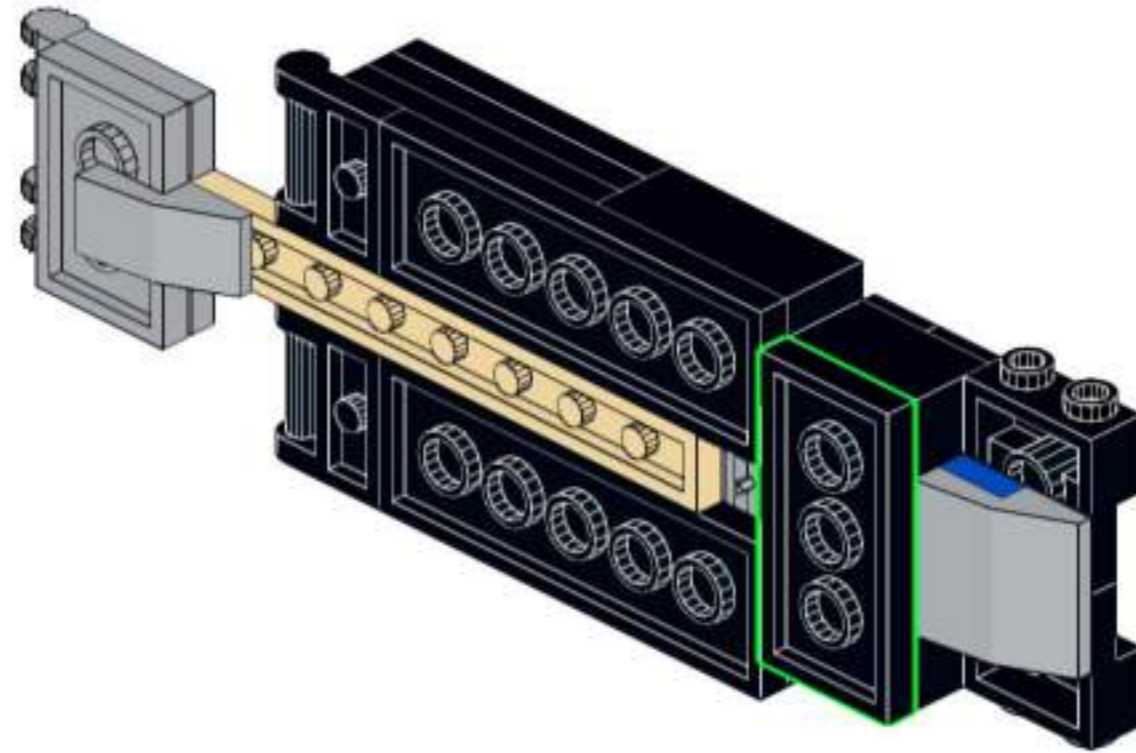
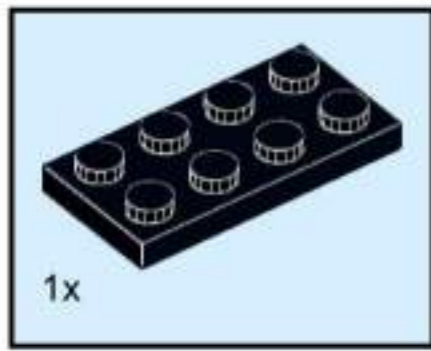




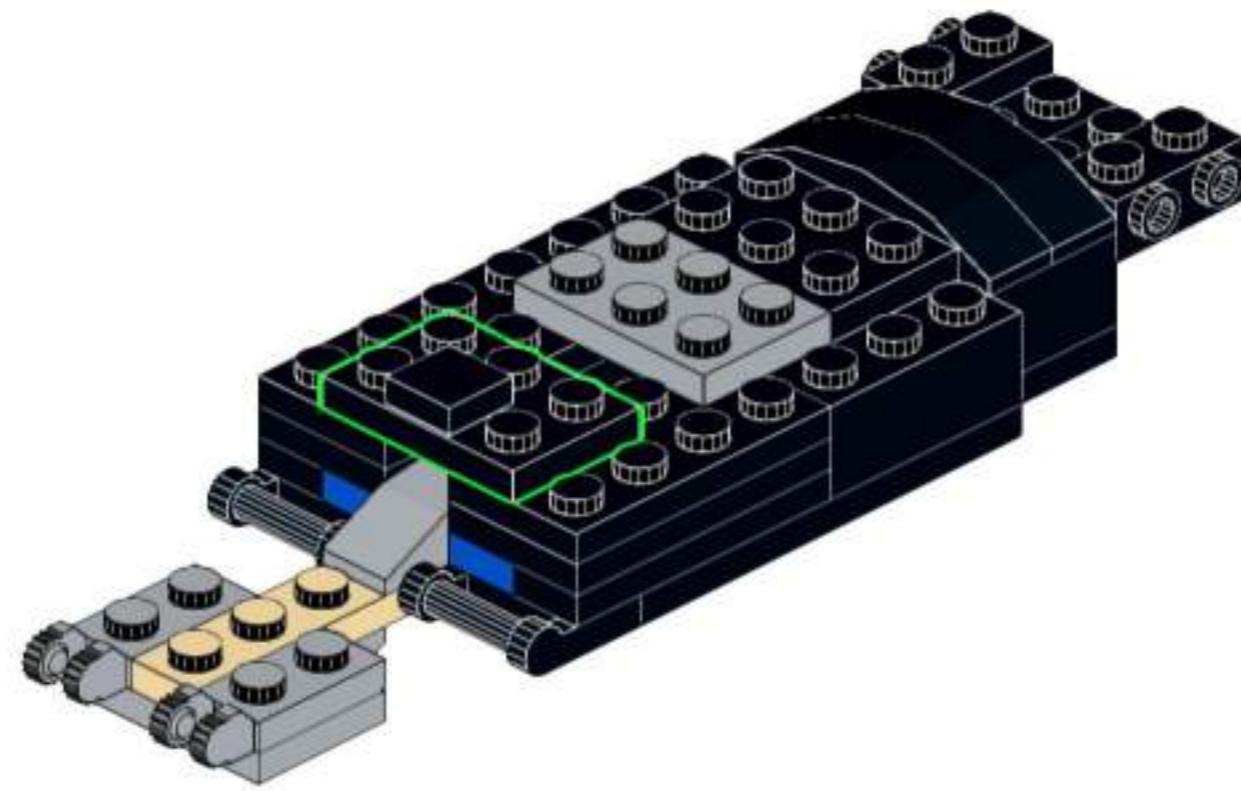
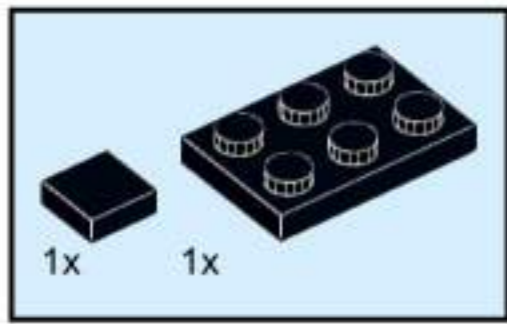
235



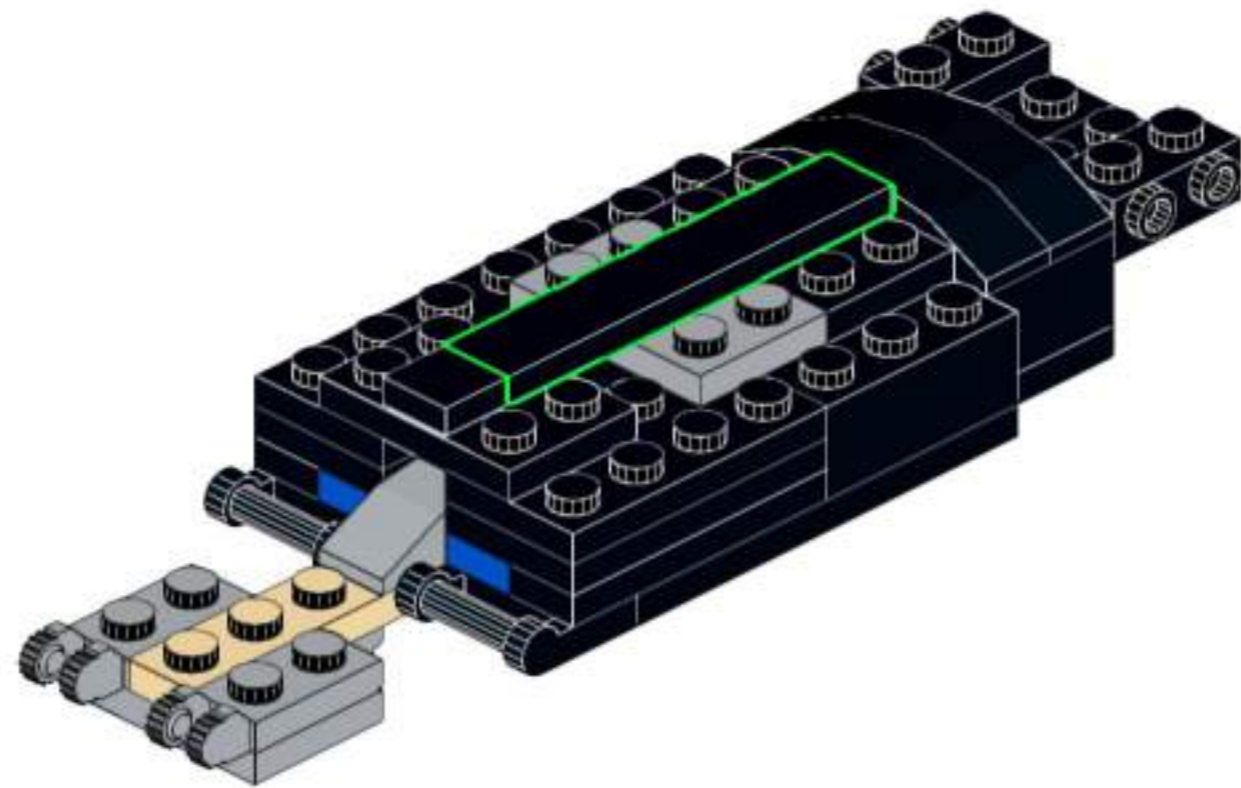
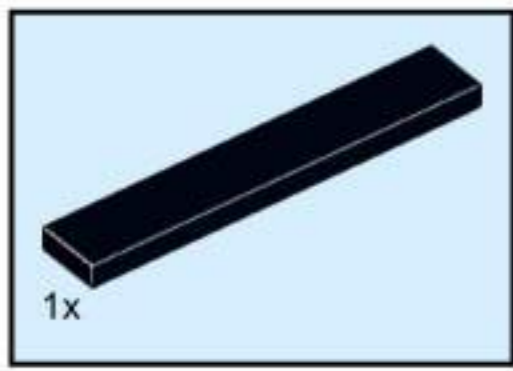
# 236



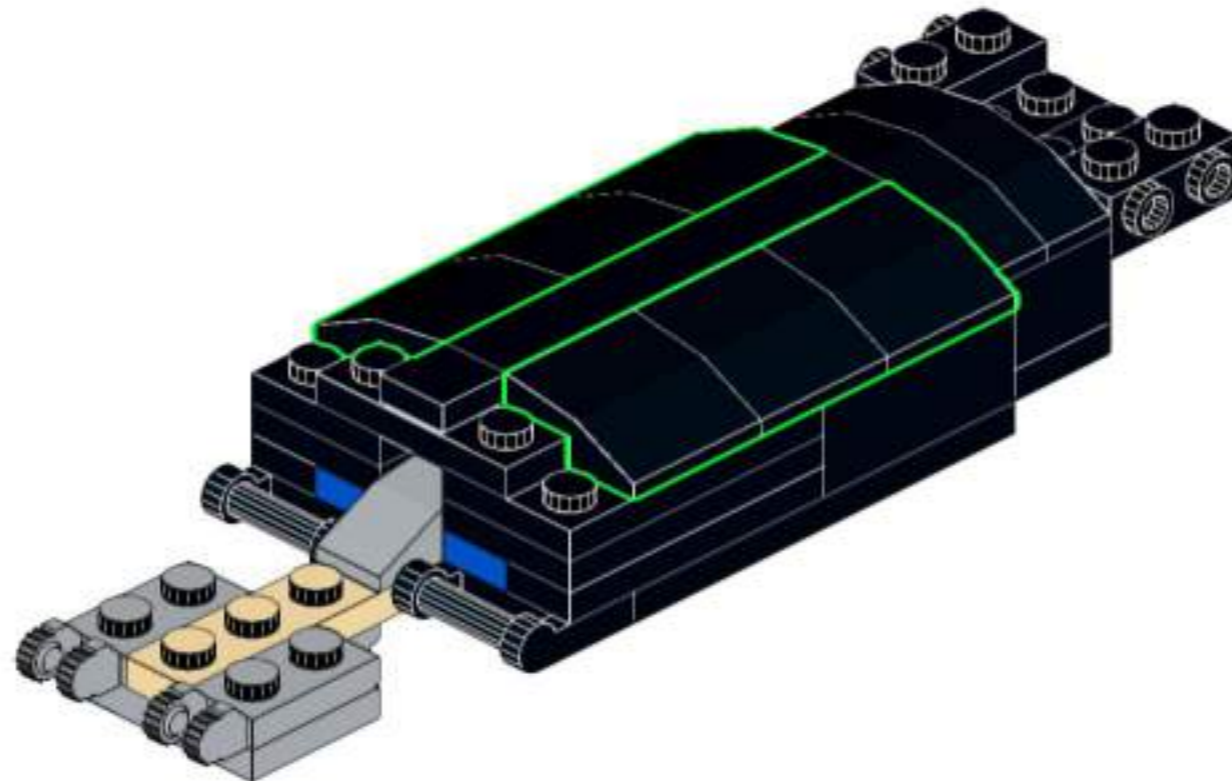
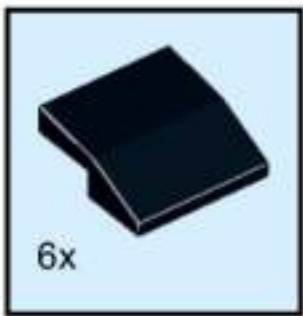
# 237



238

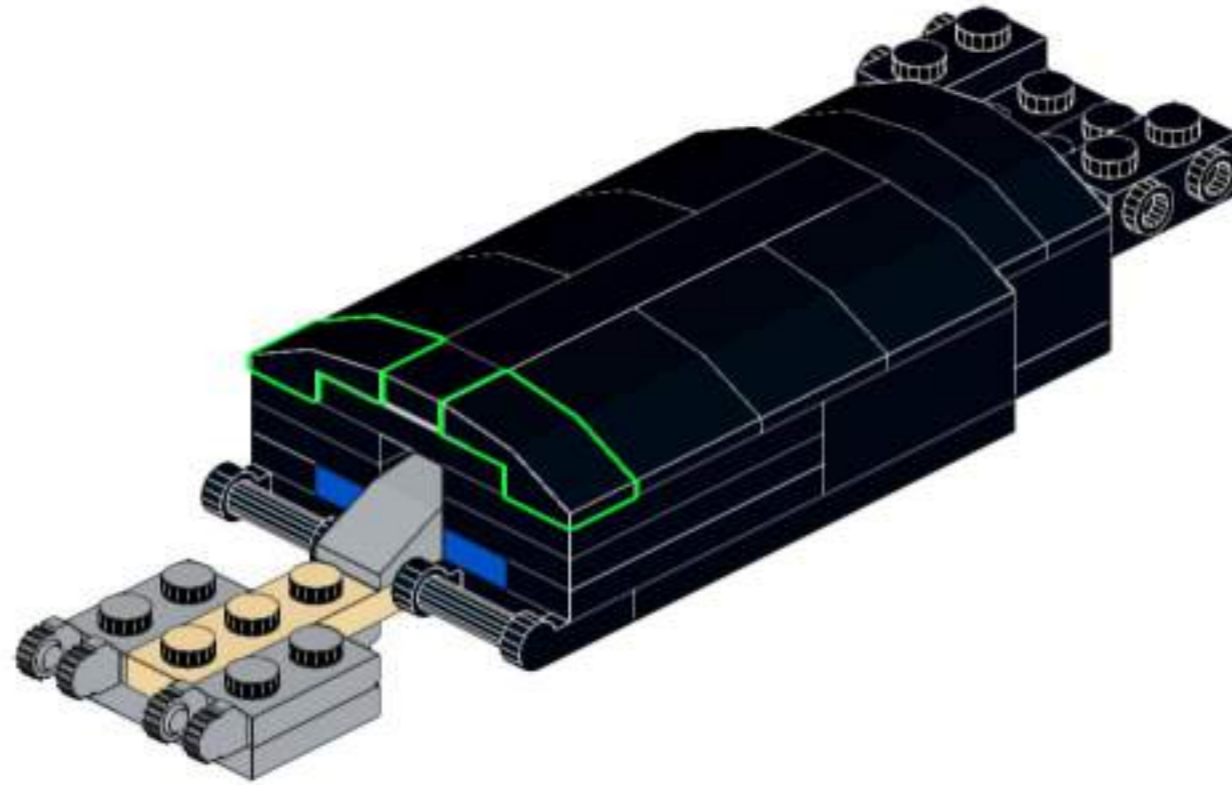


239

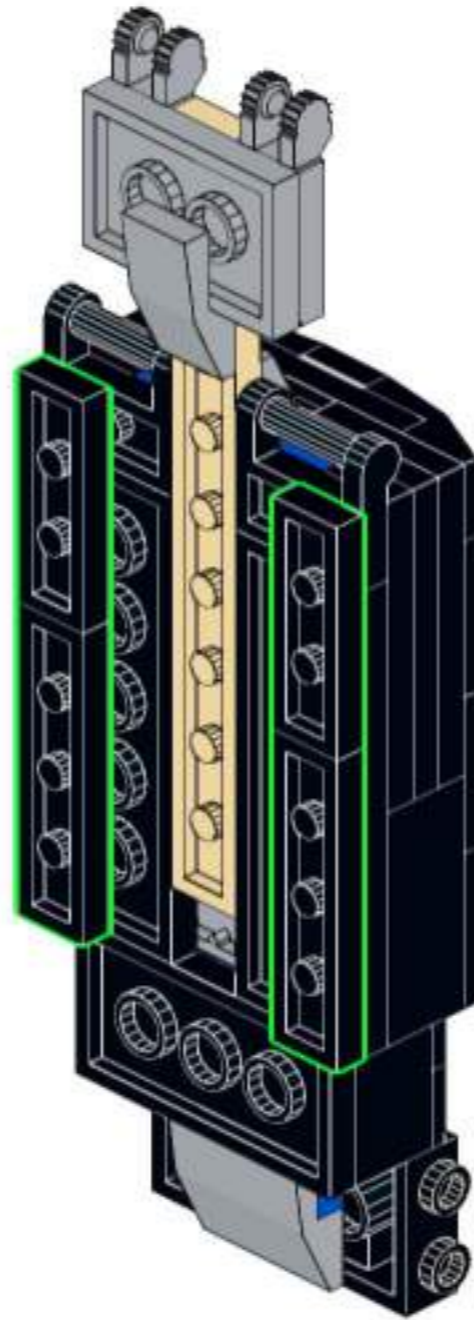
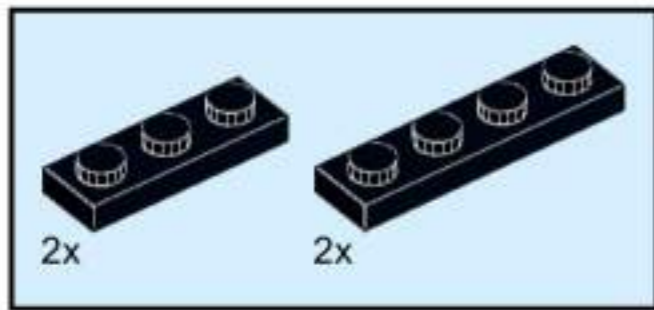




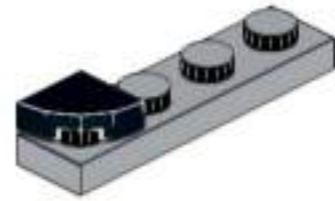
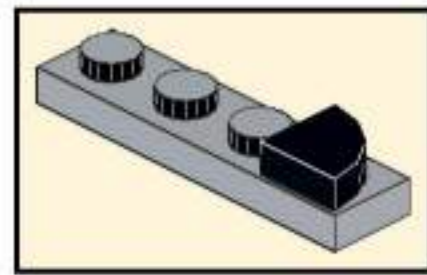
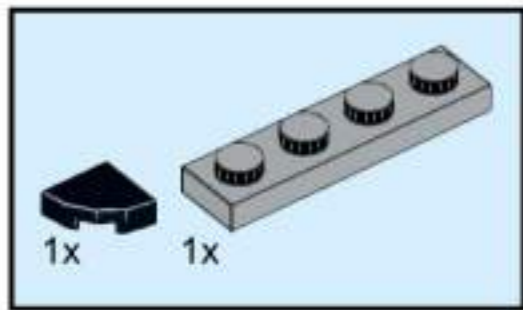
240



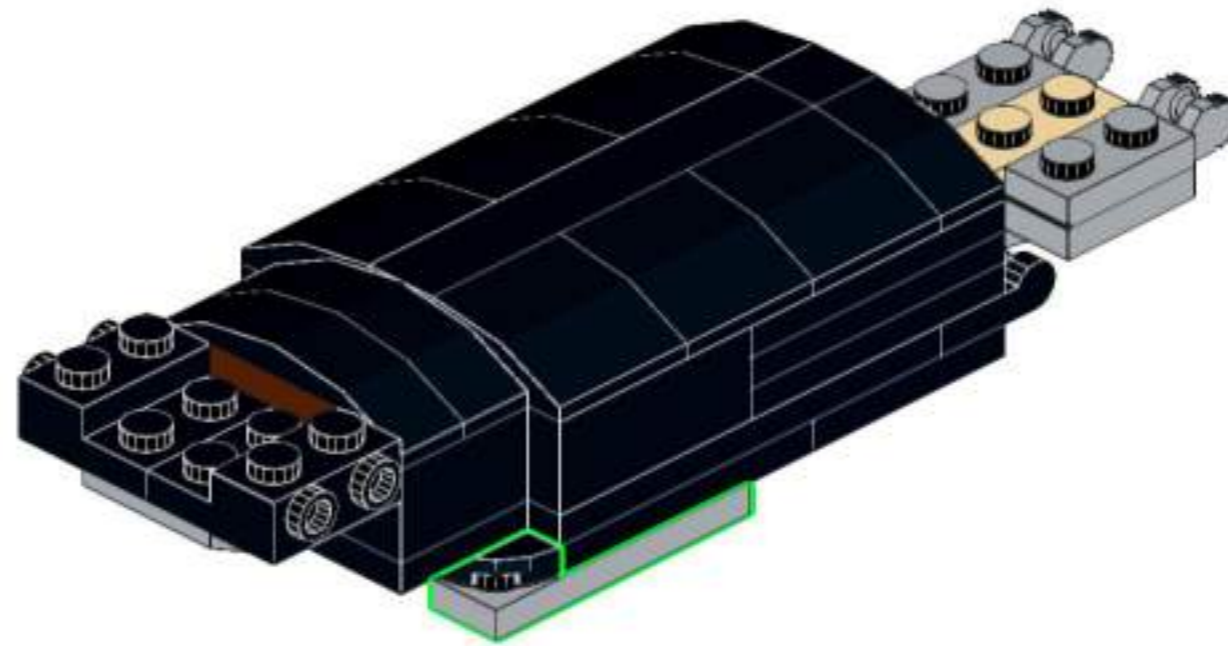
# 241



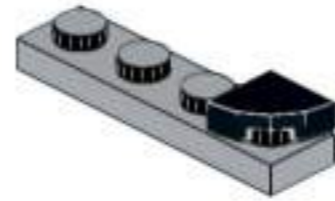
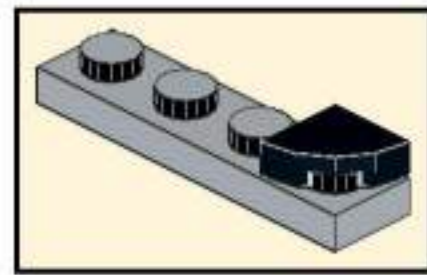
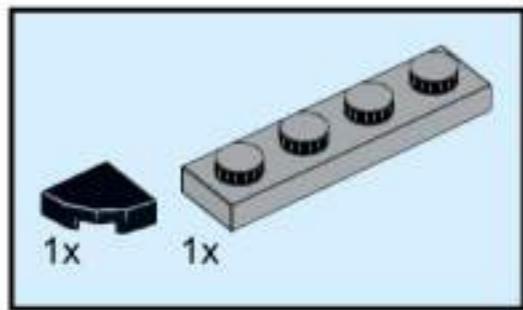
# 242



243



# 244

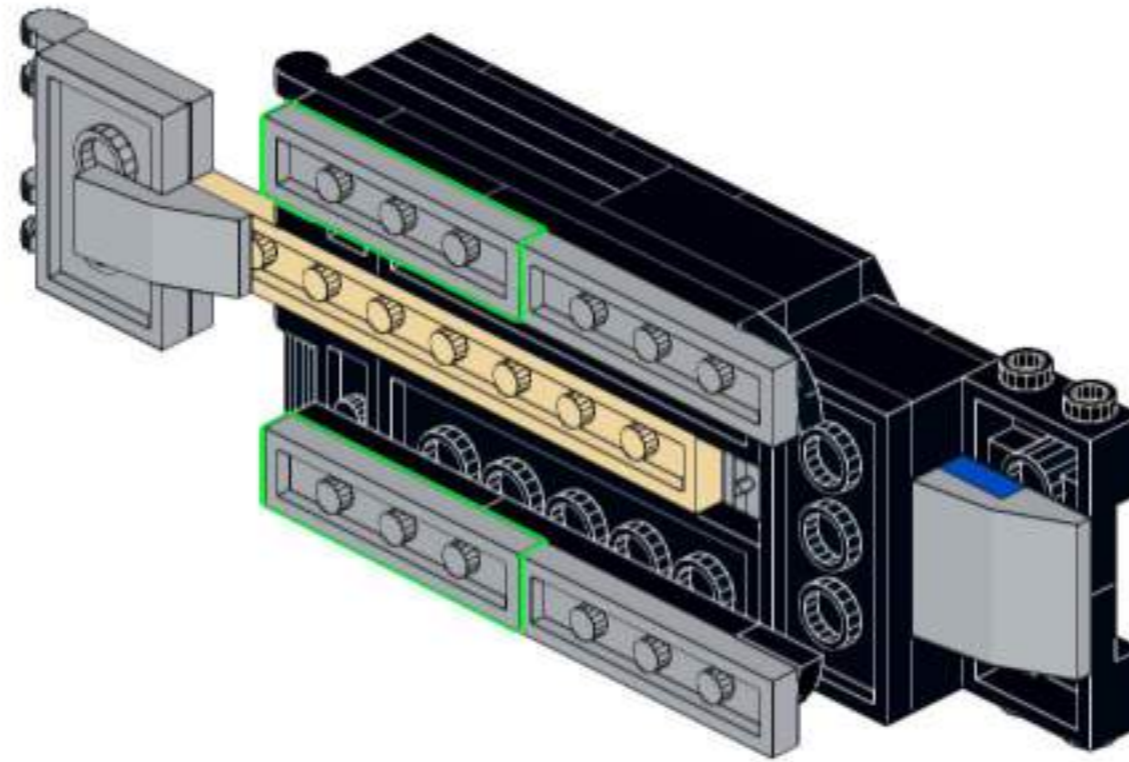
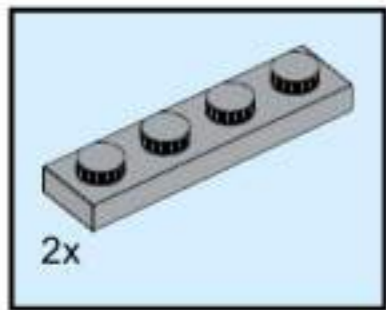




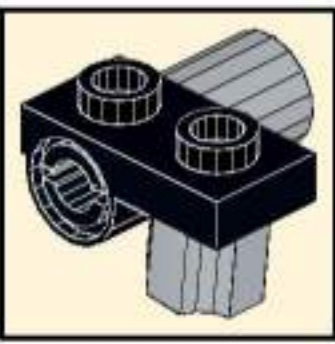
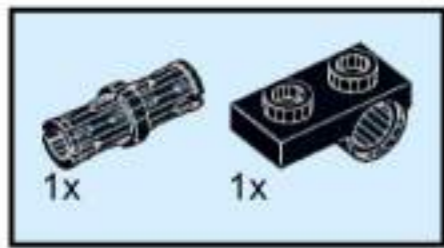
245



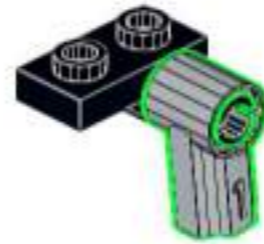
246

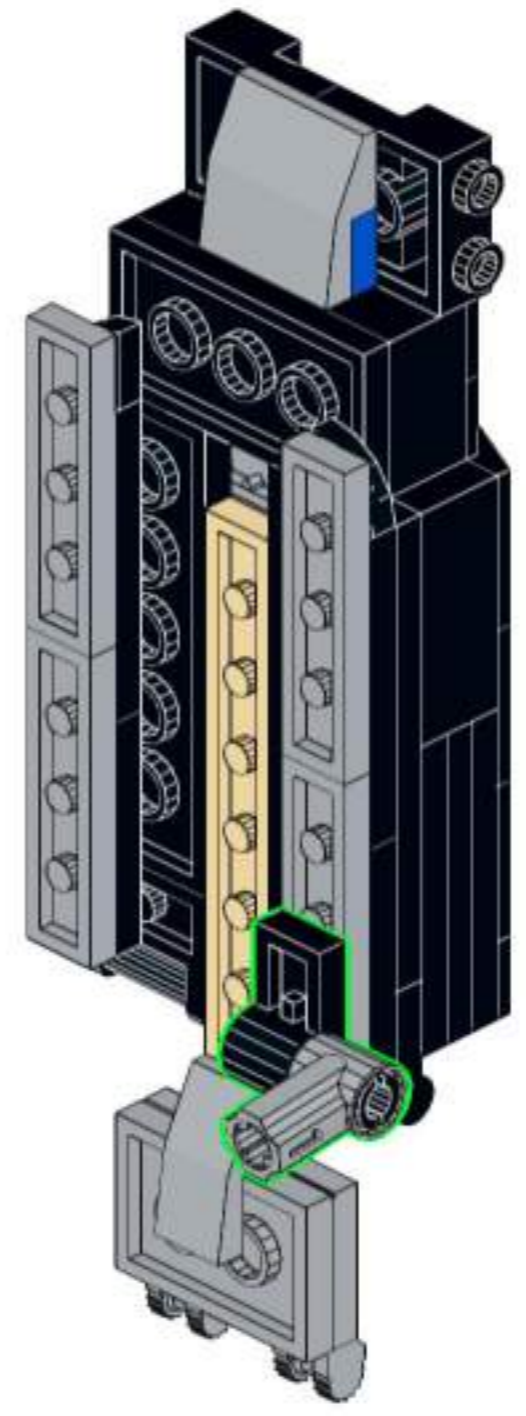


# 247



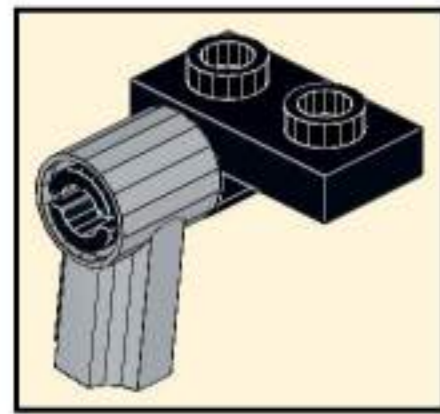
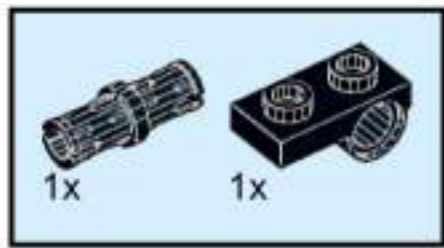
248



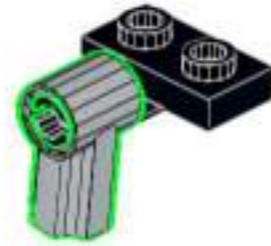




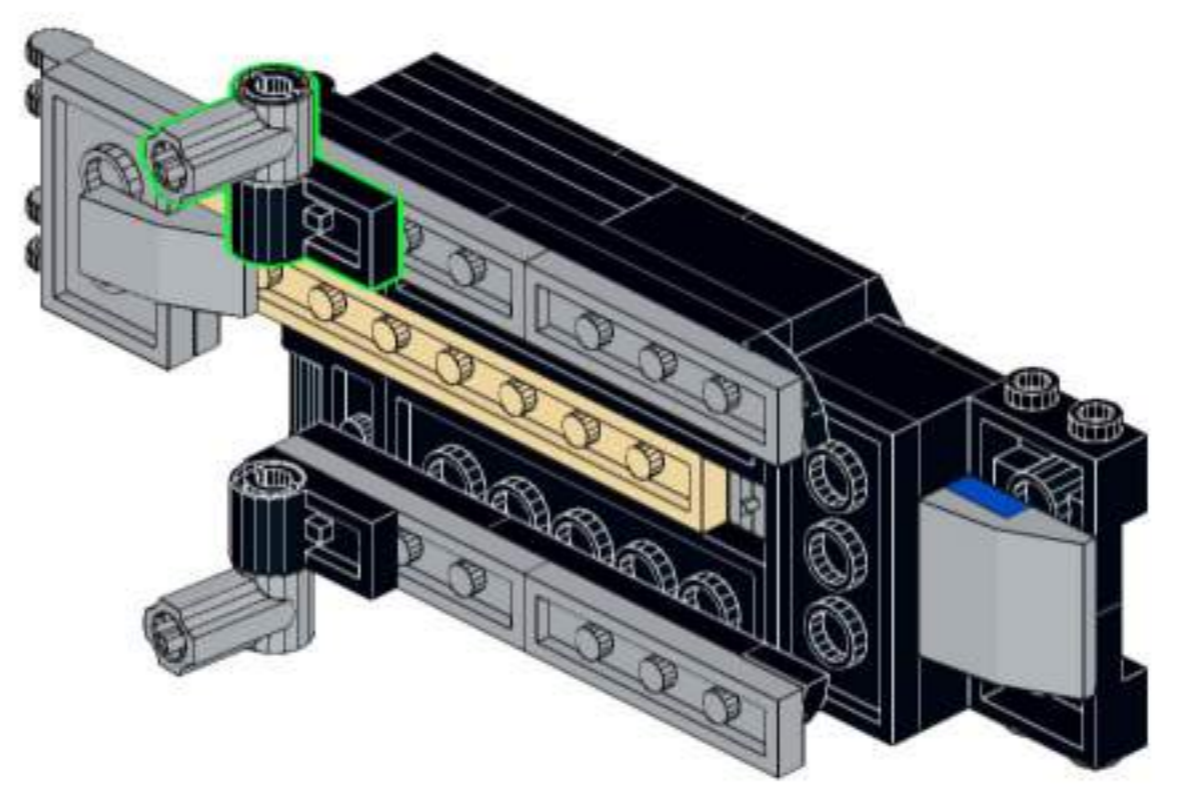
250



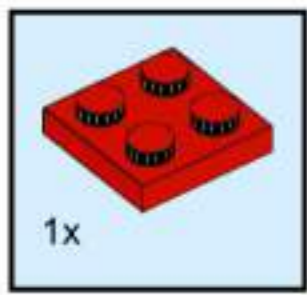
# 251



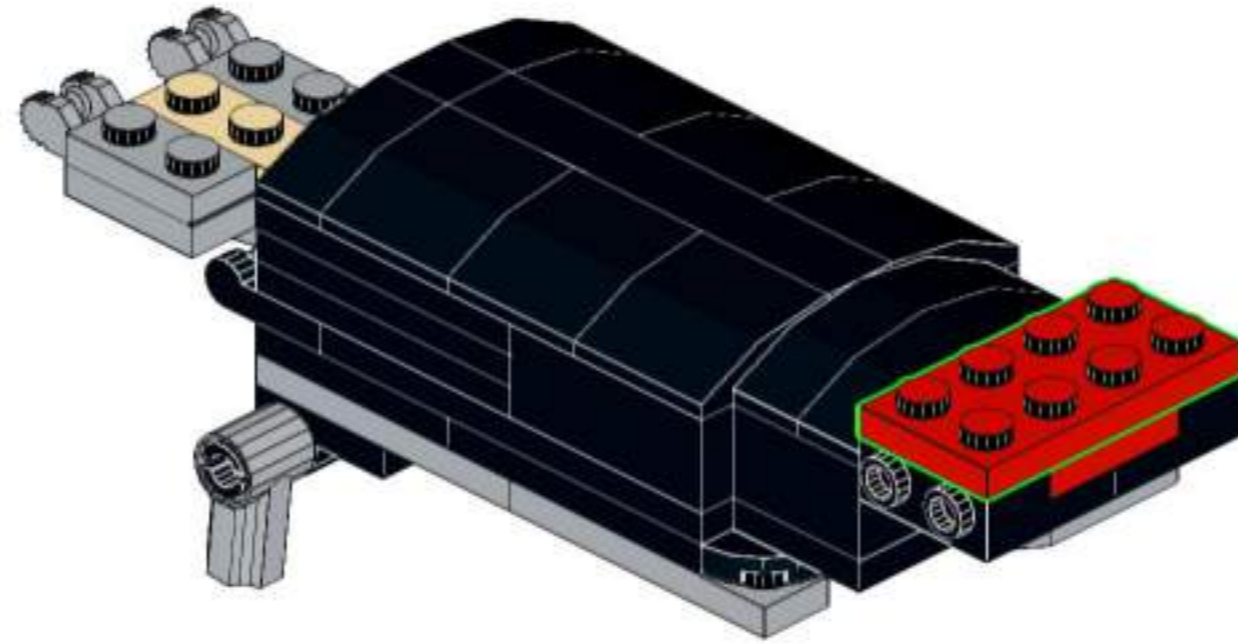
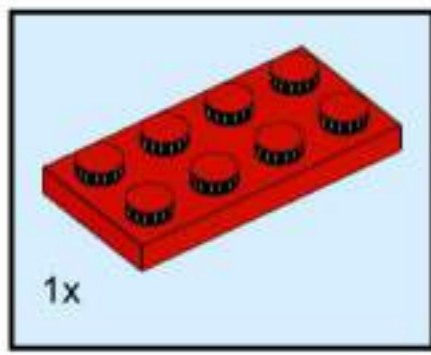
252



# 253

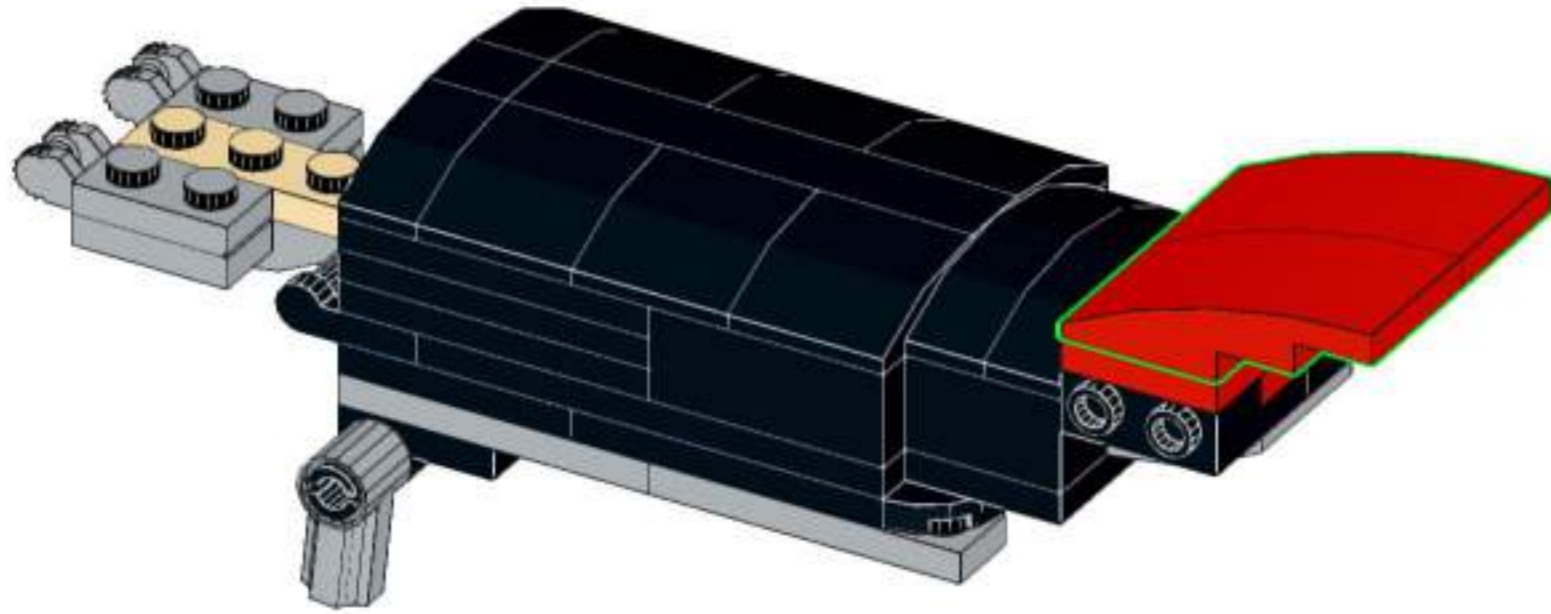
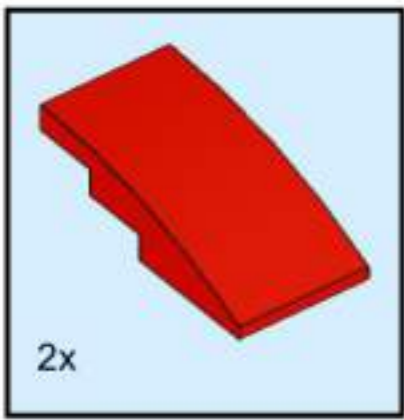


254

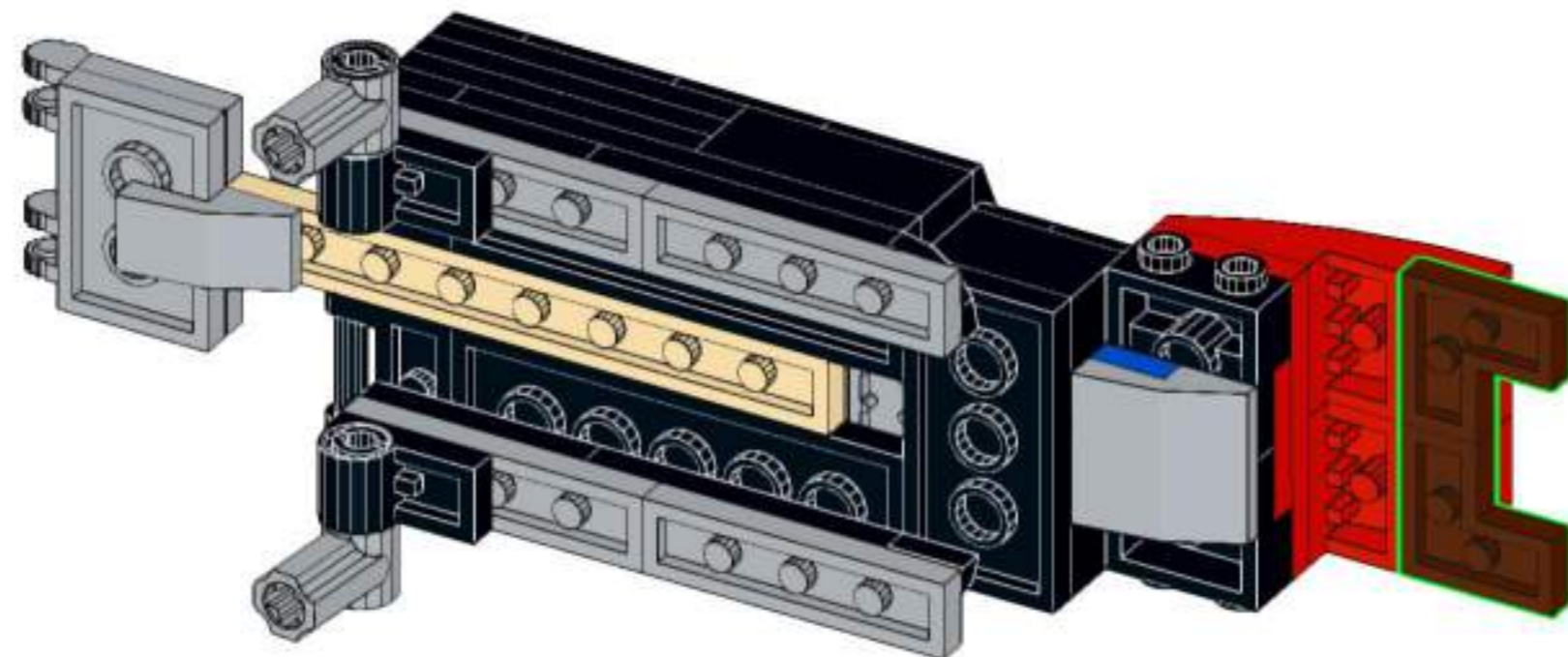
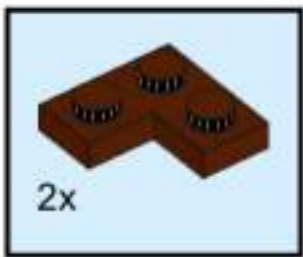




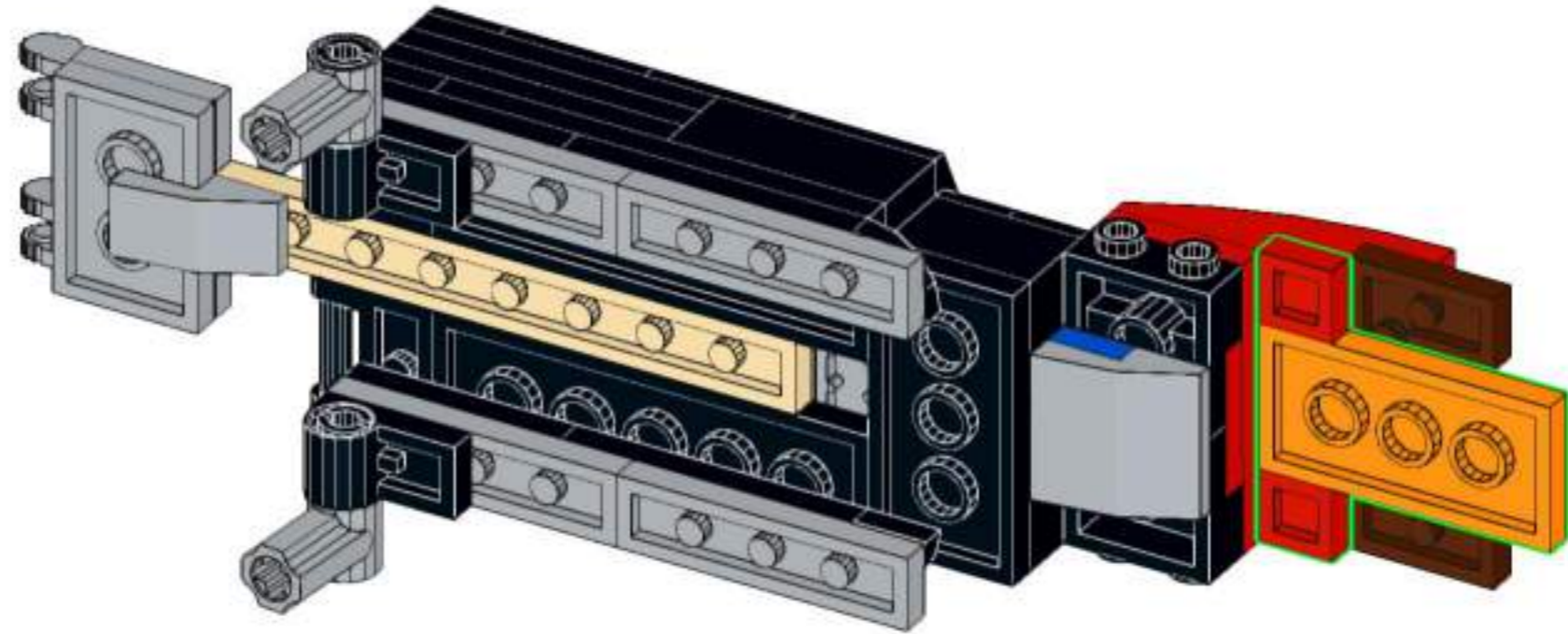
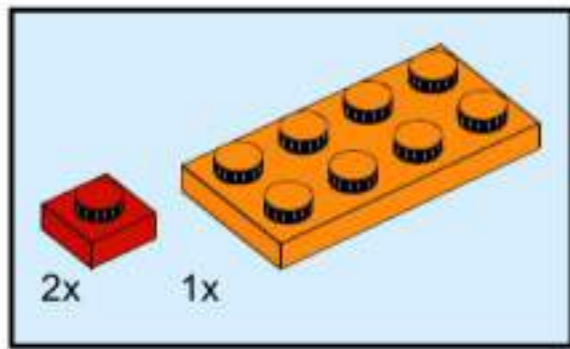
255



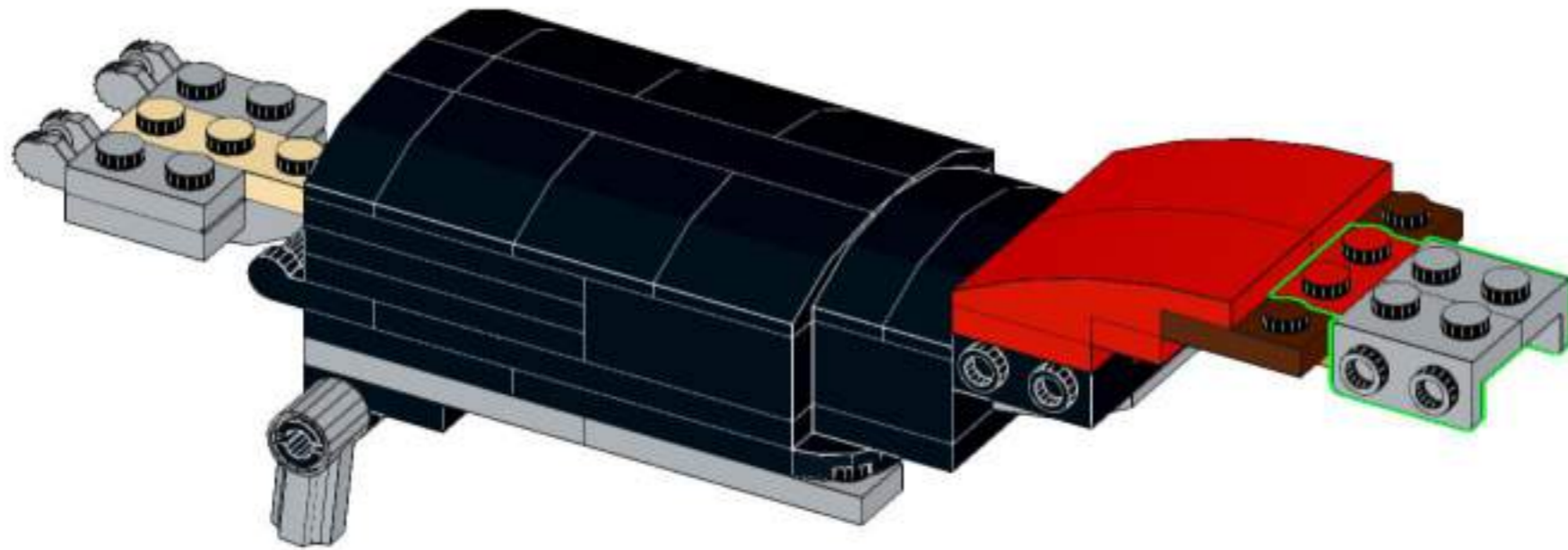
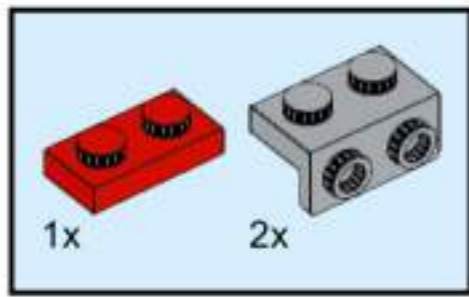
256



# 257

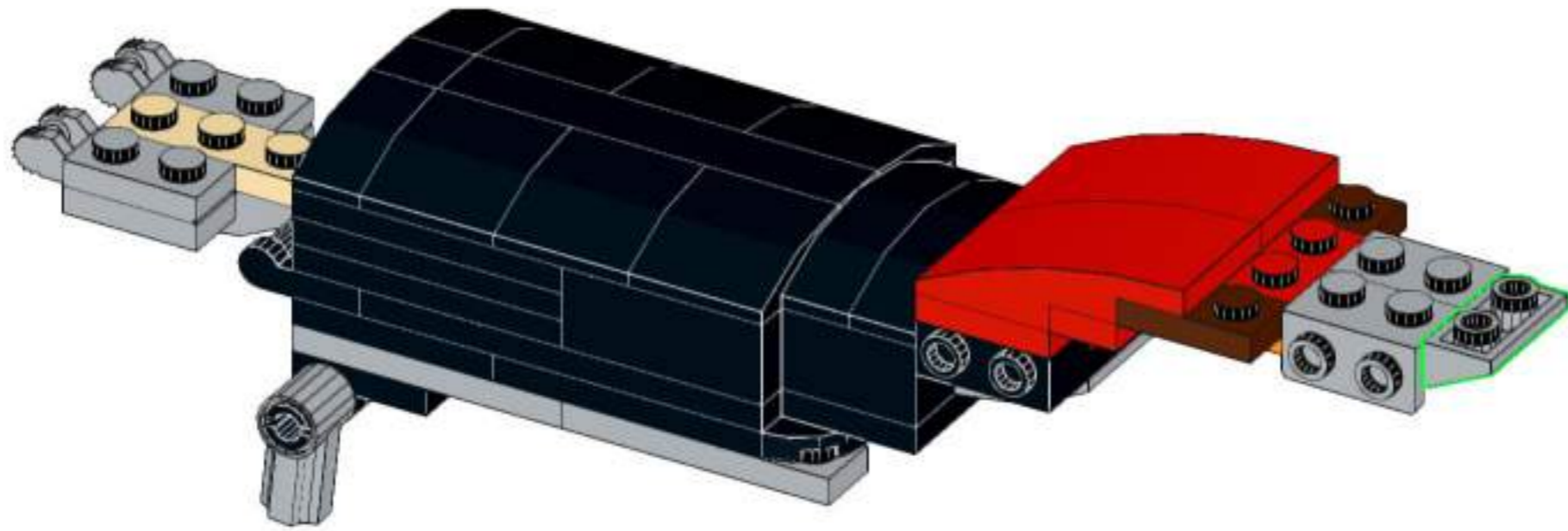
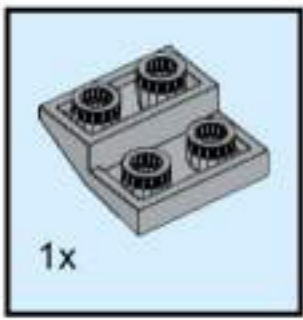


# 258



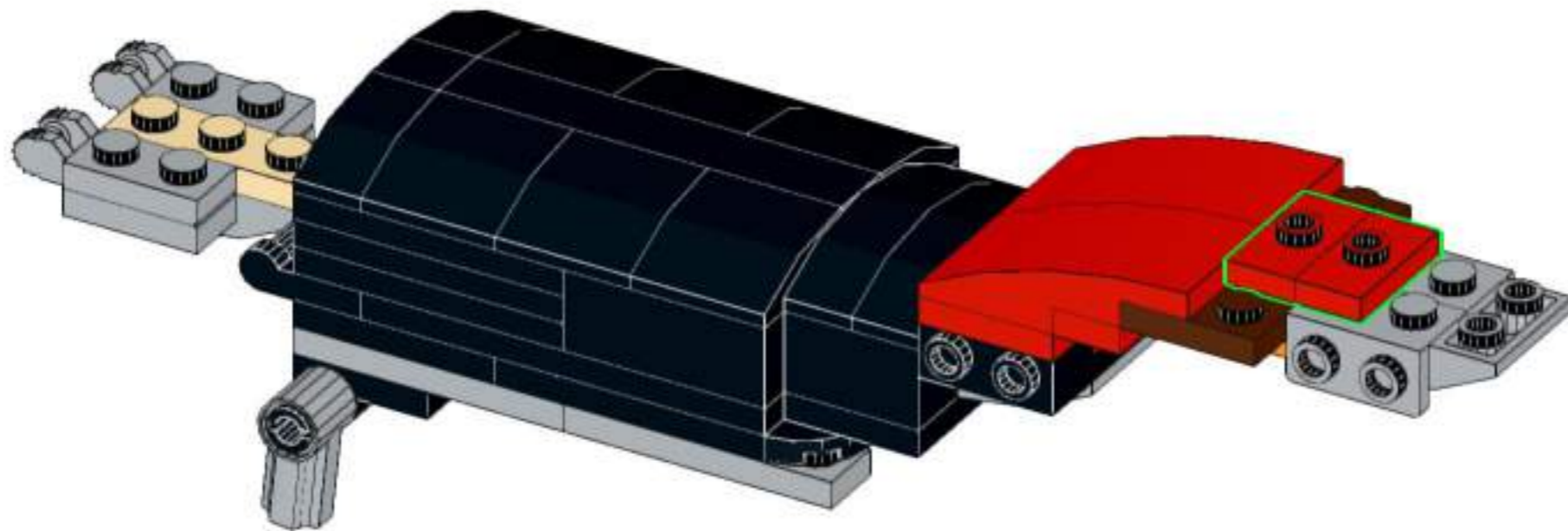
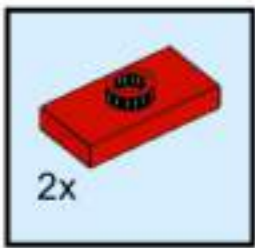


# 259

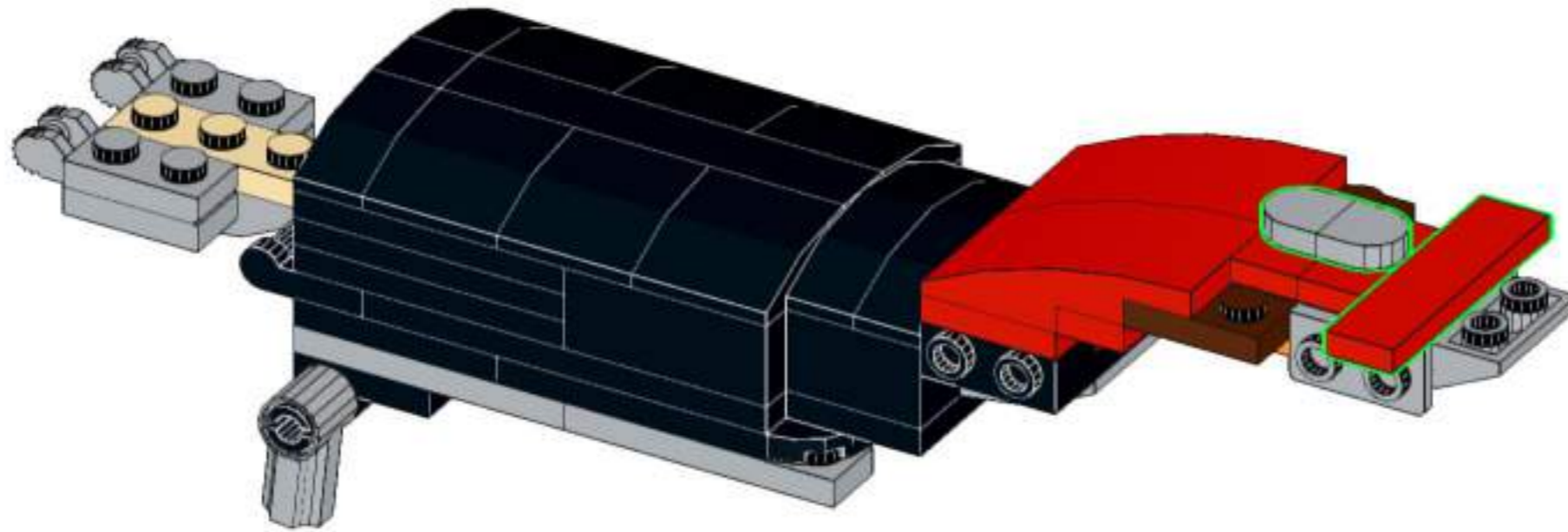
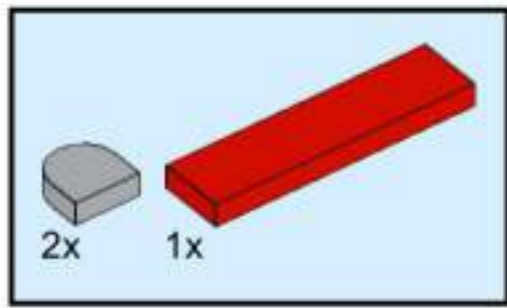




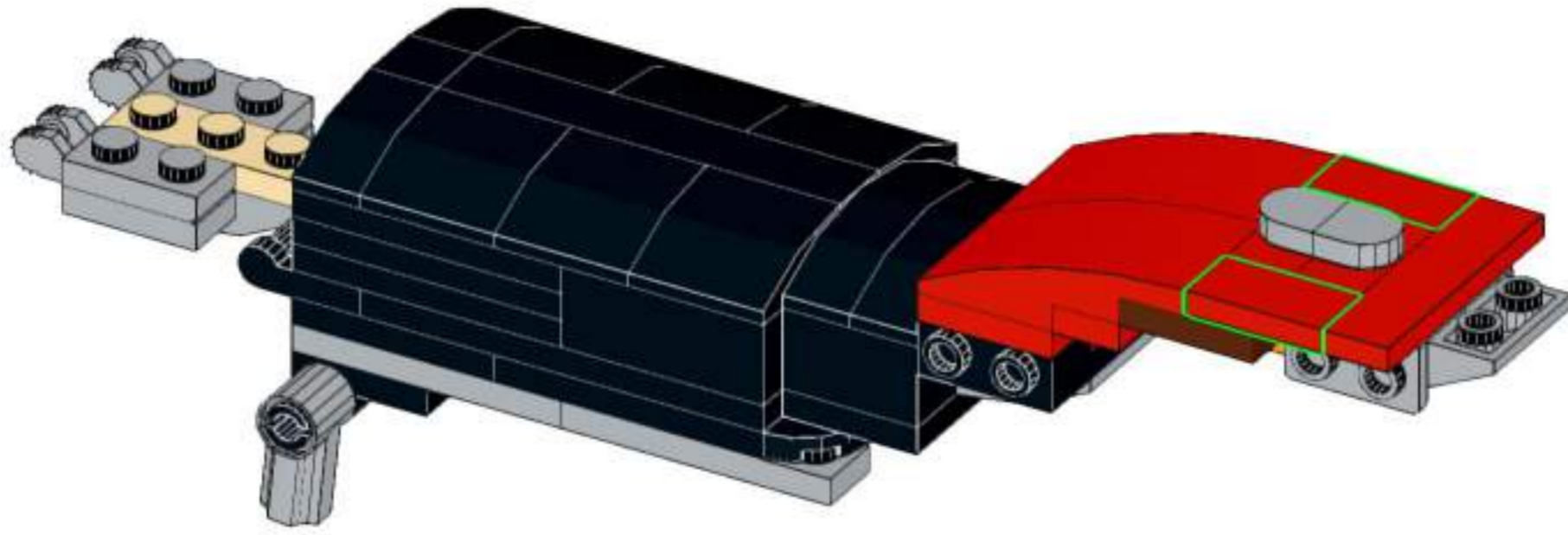
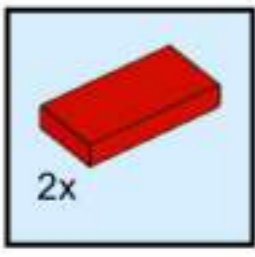
260



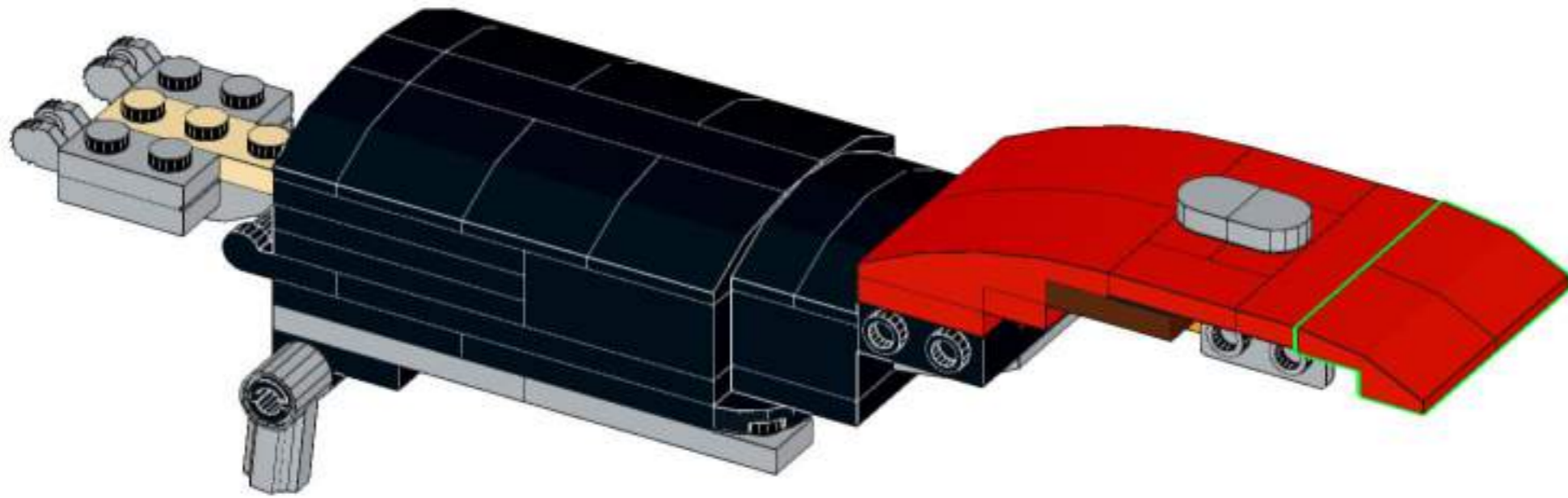
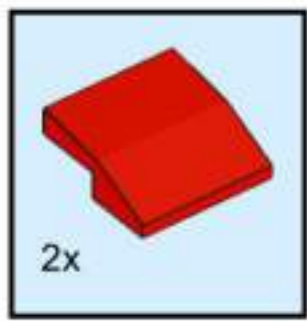
# 261



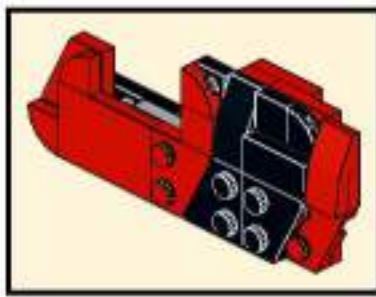
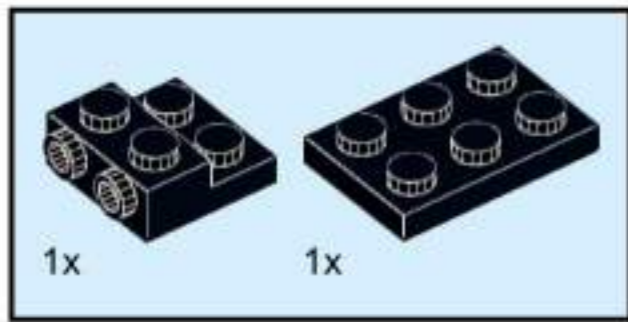
262



263

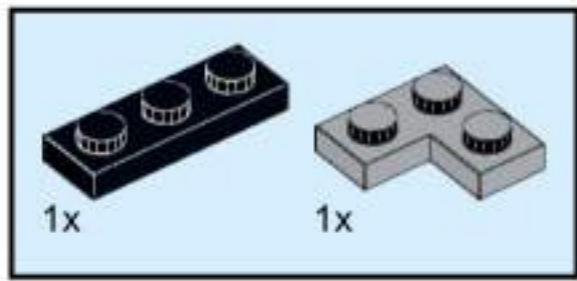


# 264

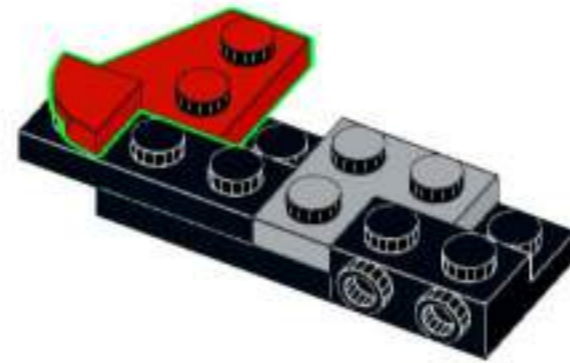
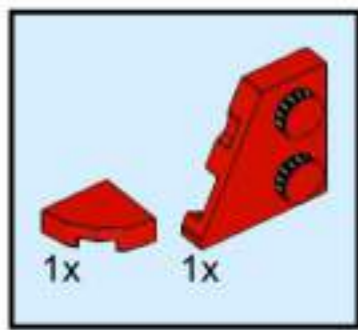




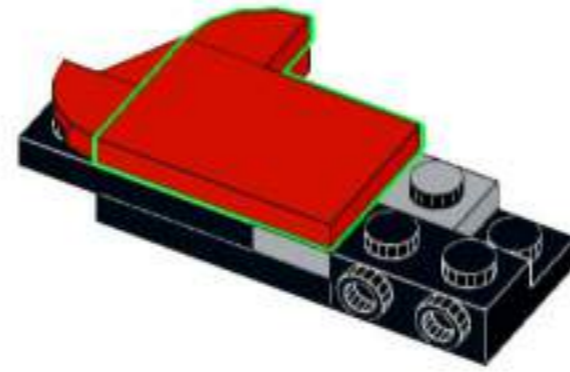
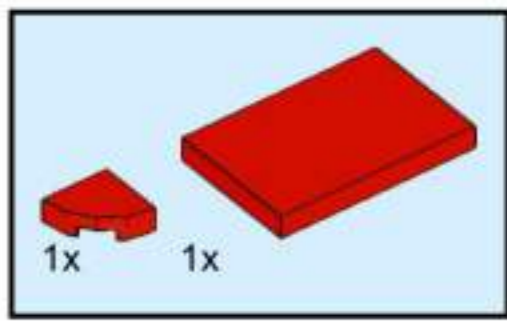
# 265



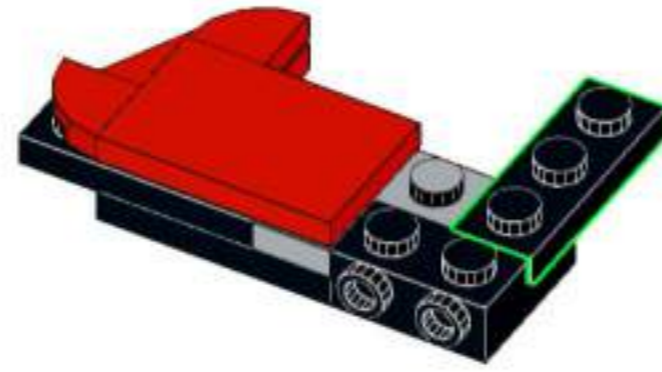
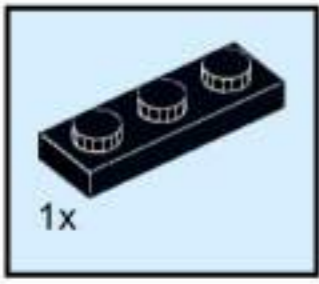
# 266



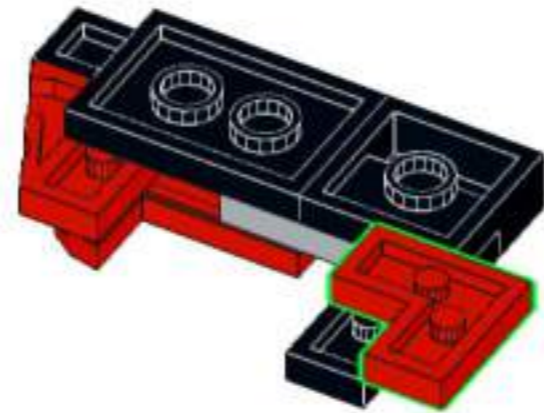
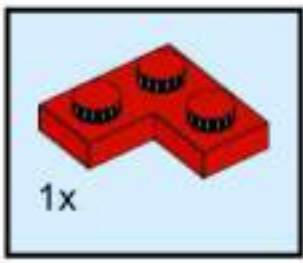
267



268

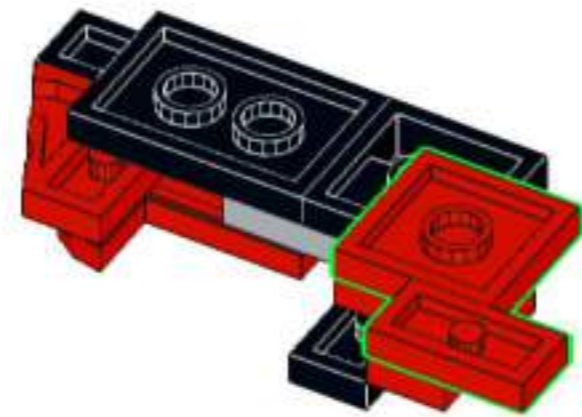
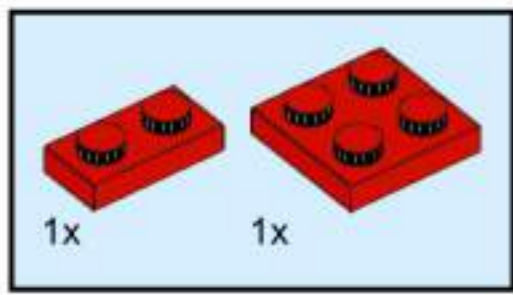


269

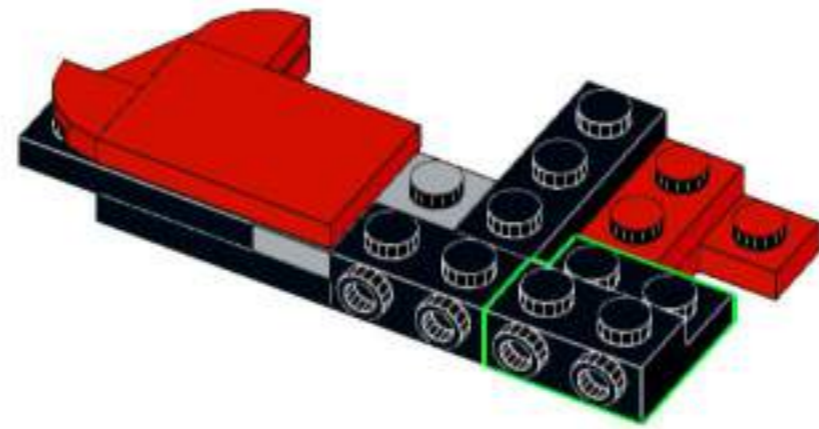
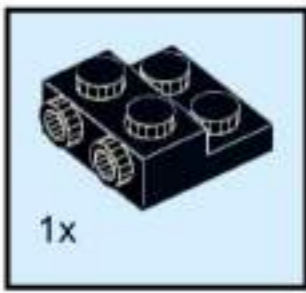




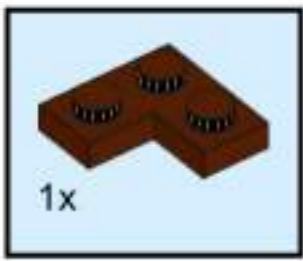
# 270



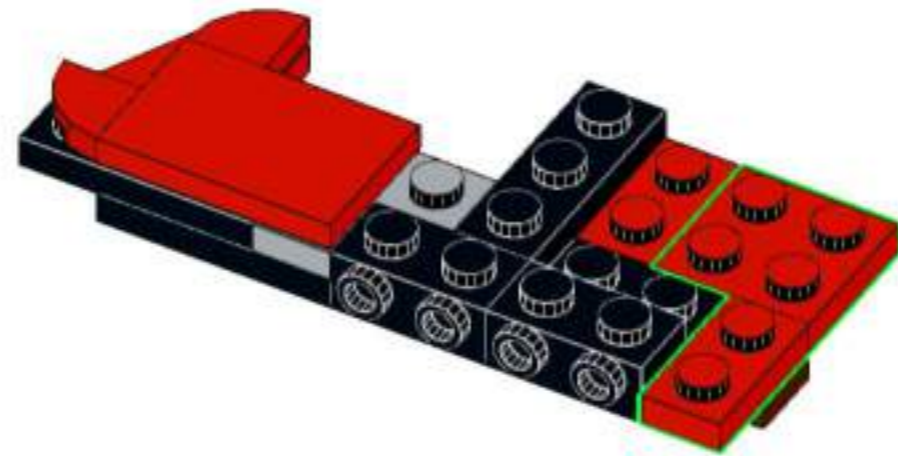
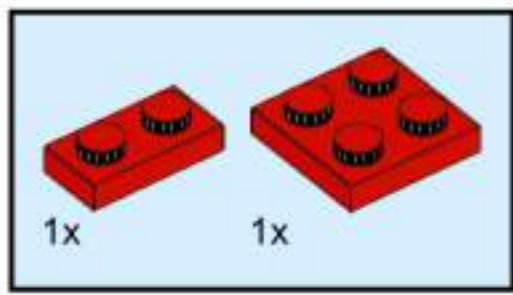
271



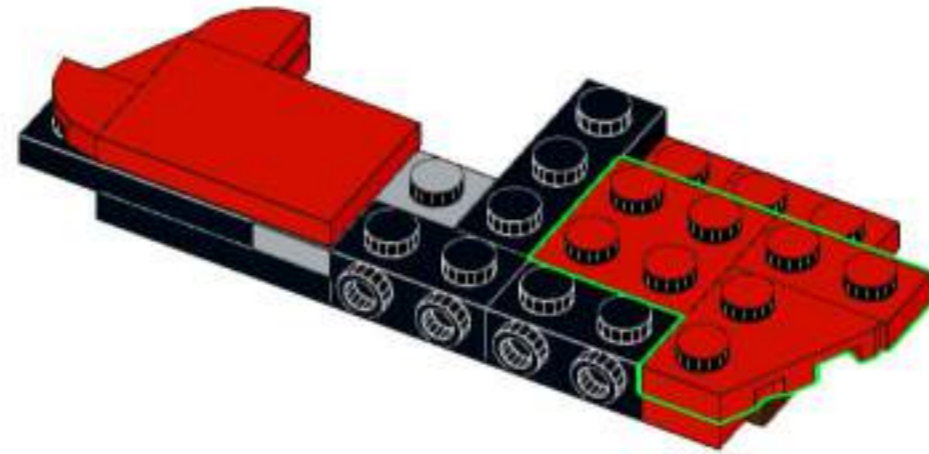
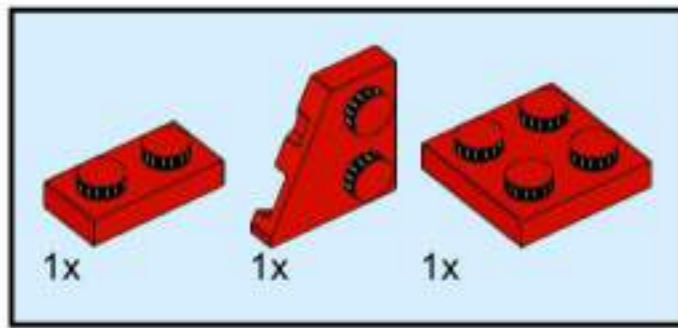
272



# 273

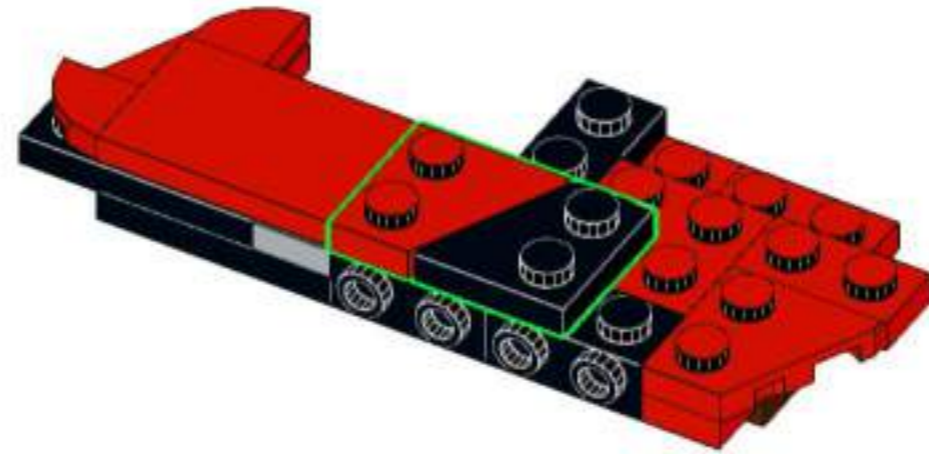
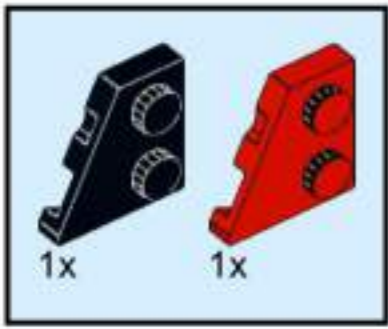


# 274

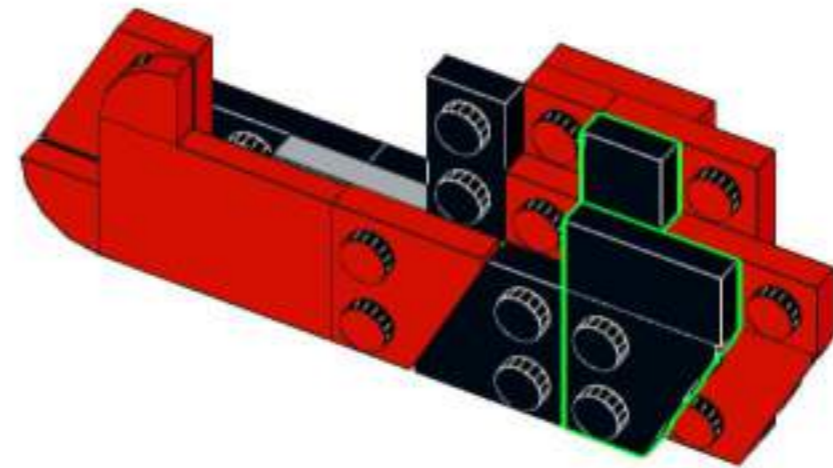
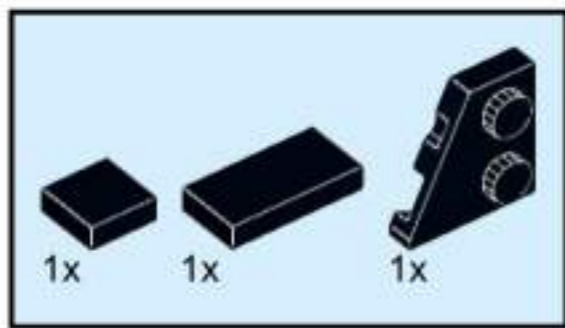




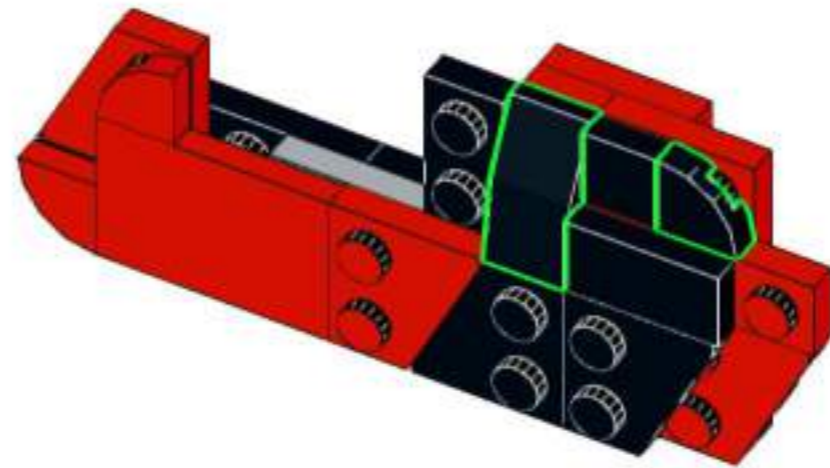
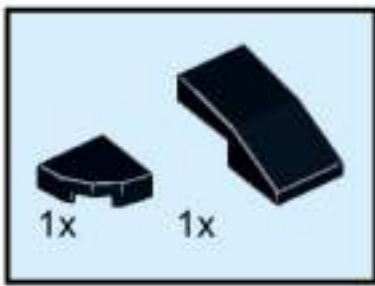
# 275



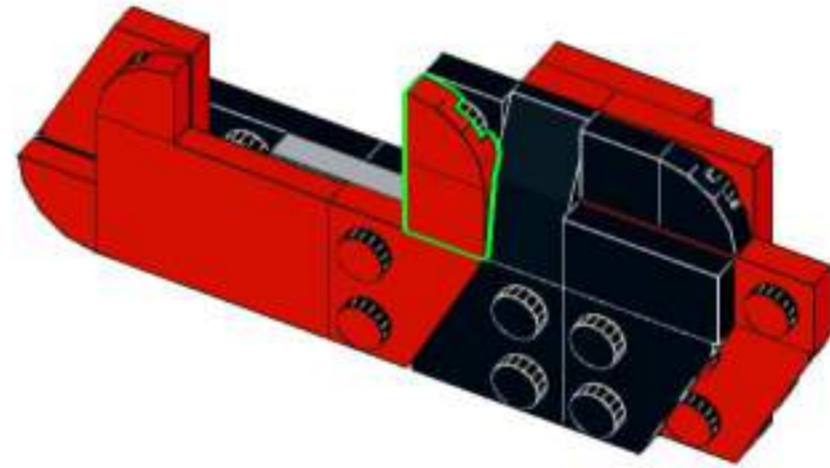
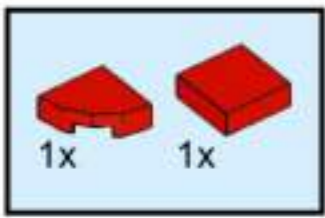
276



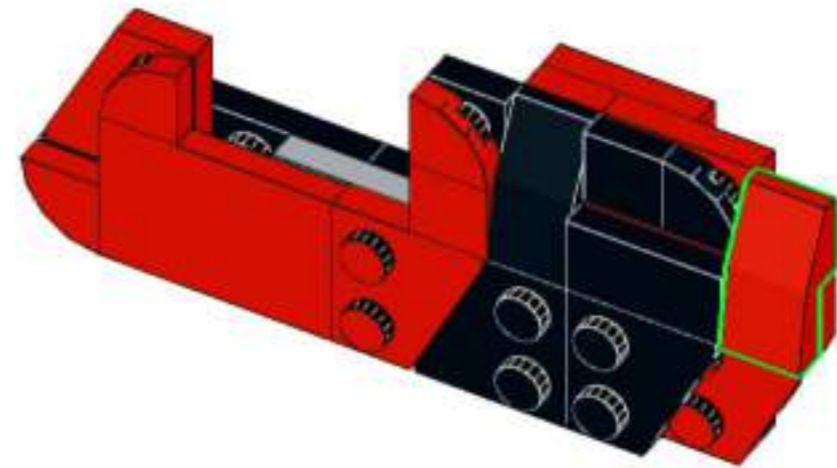
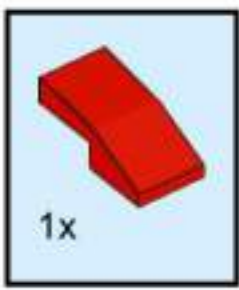
277



278

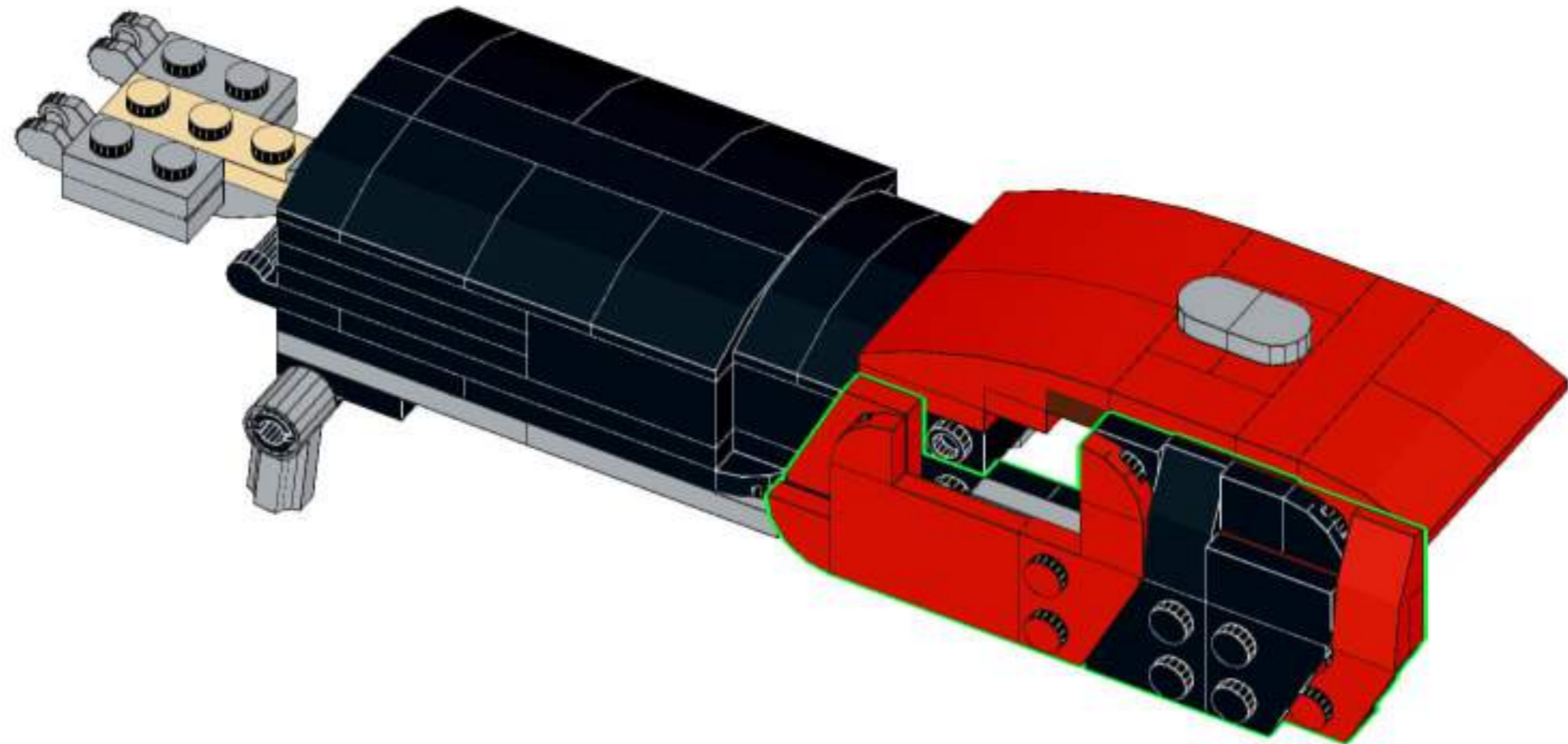


279

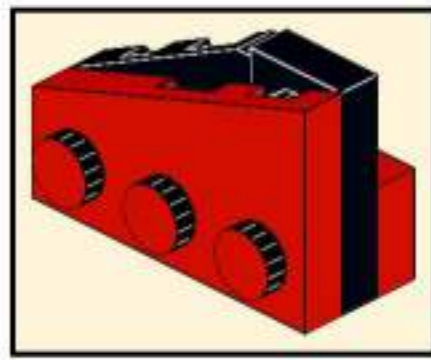
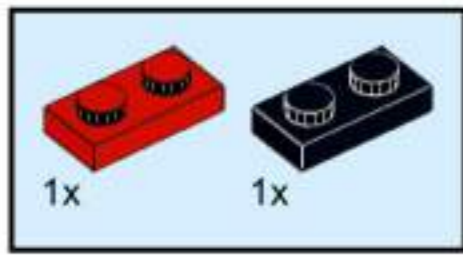




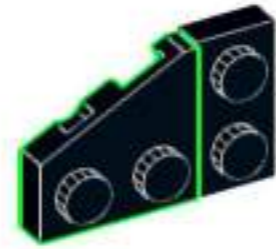
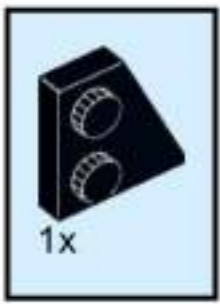
280



# 281



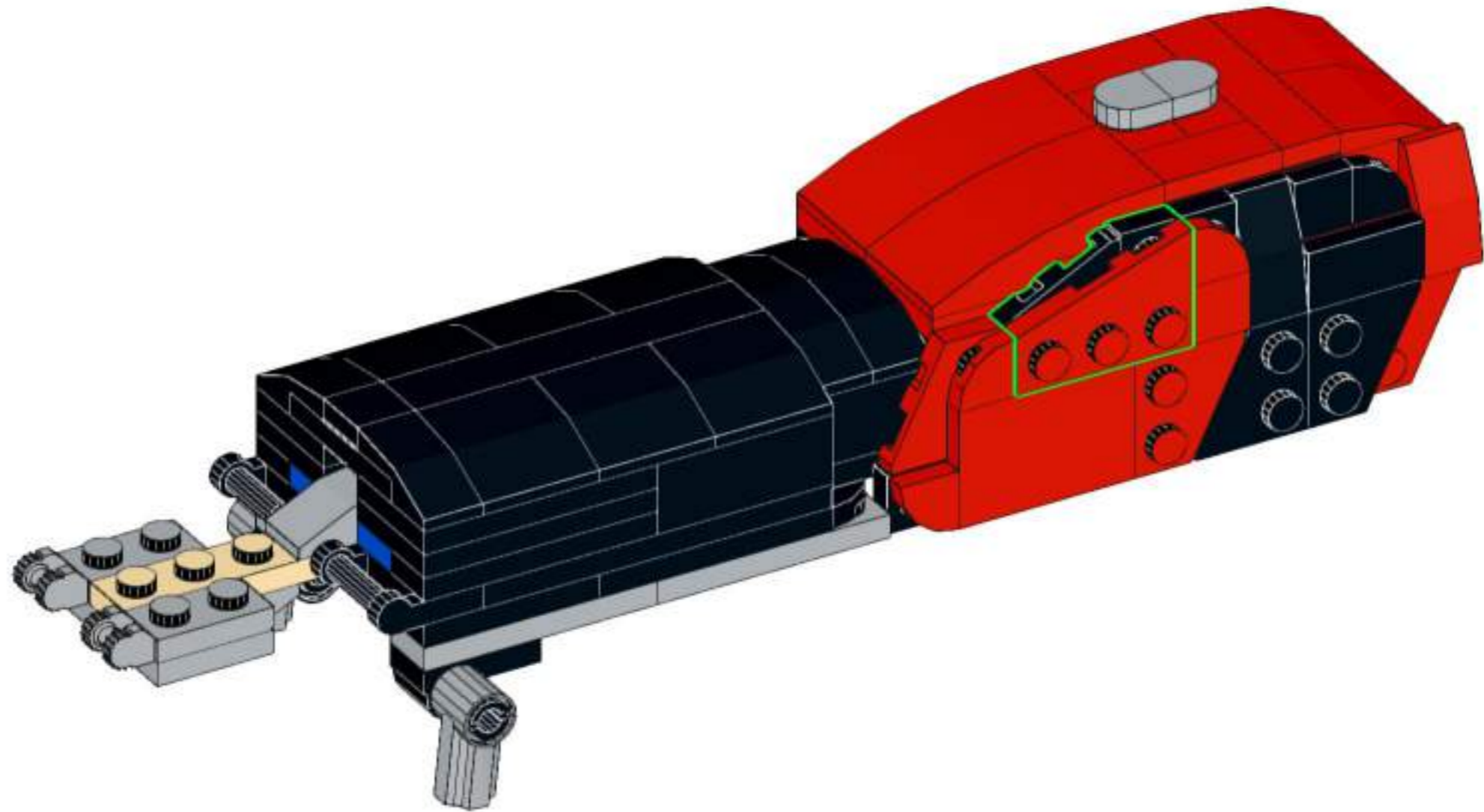
282



283

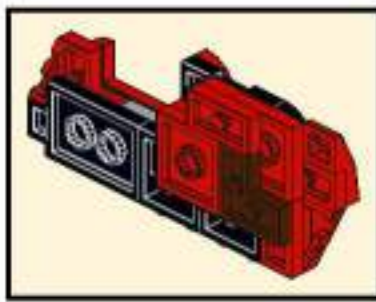
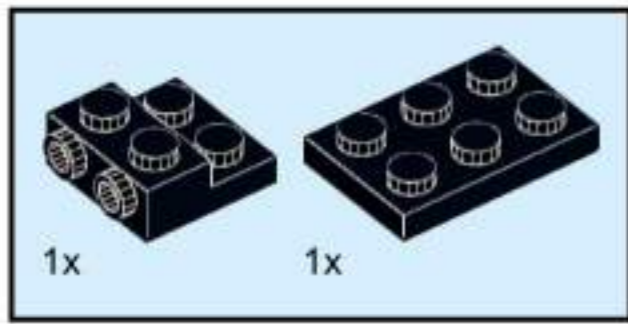


284

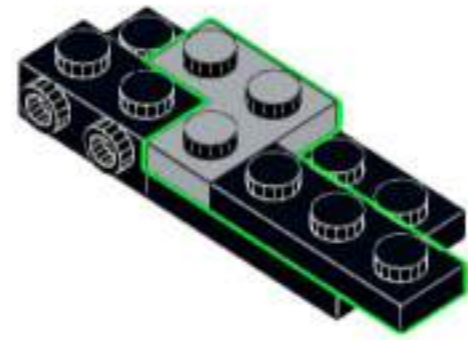
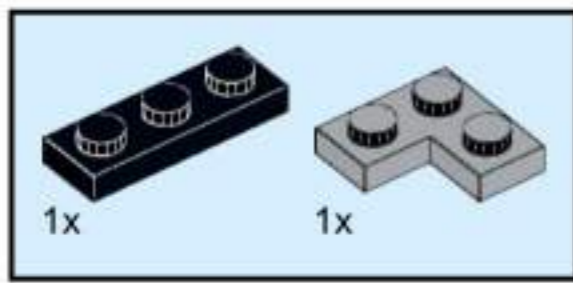




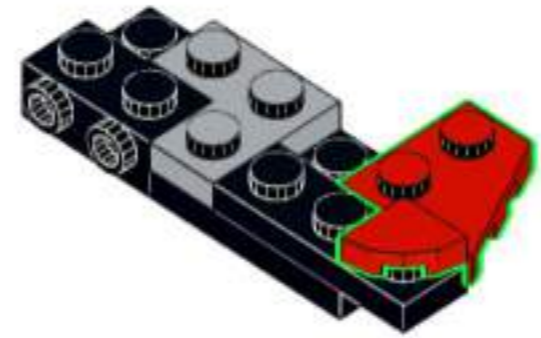
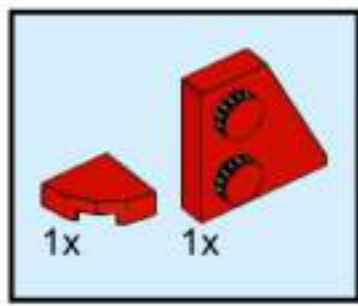
# 285



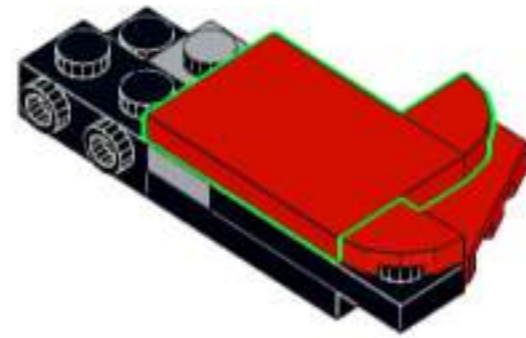
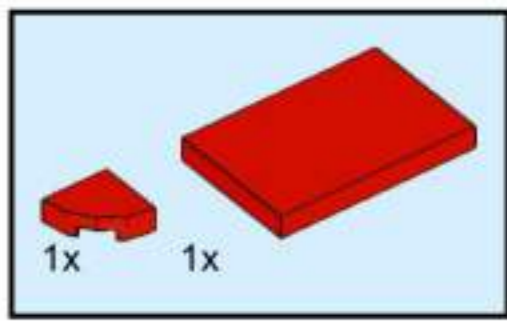
286



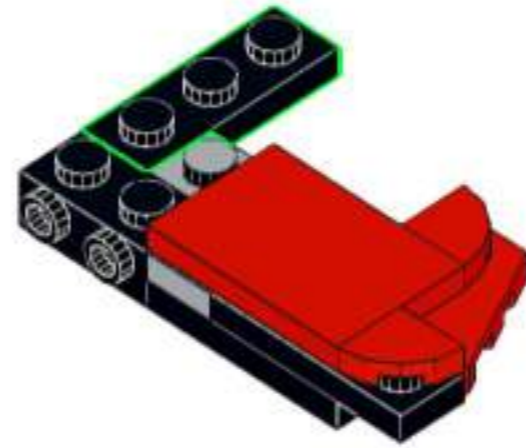
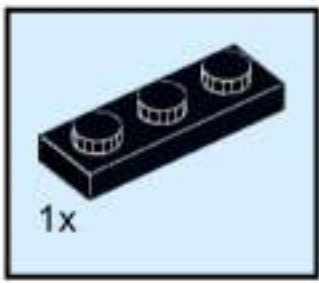
287



288

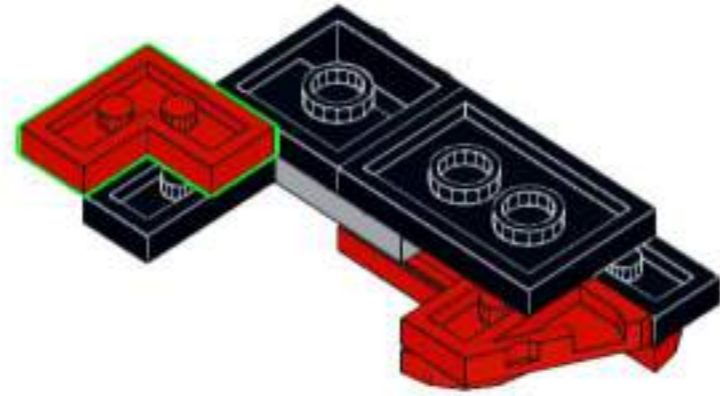
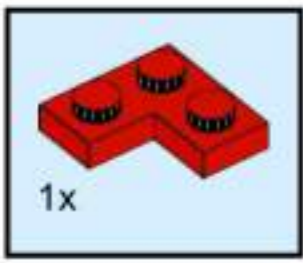


289

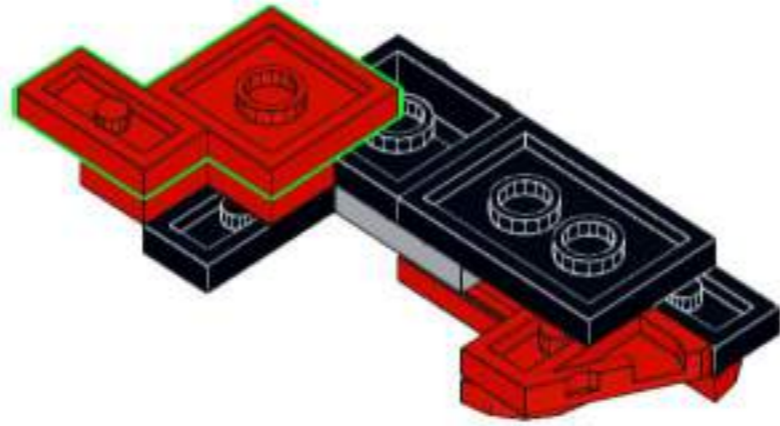
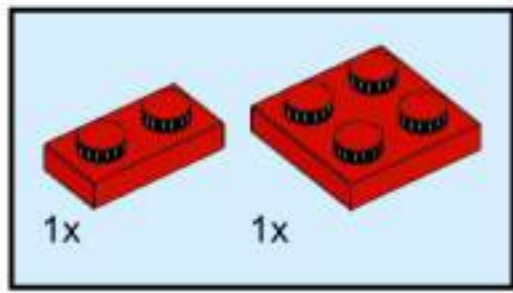




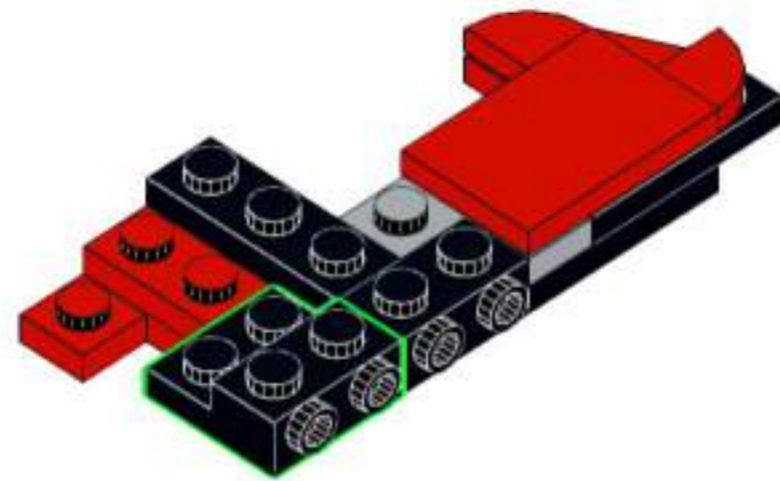
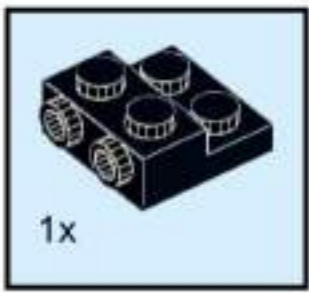
290



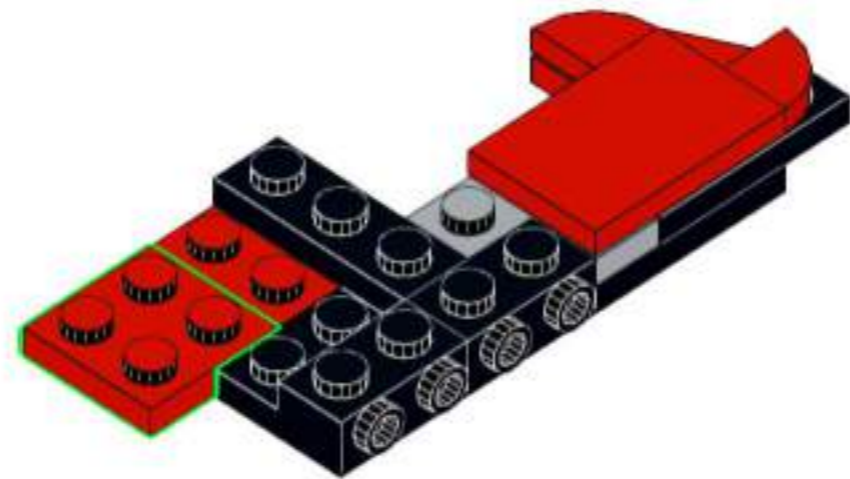
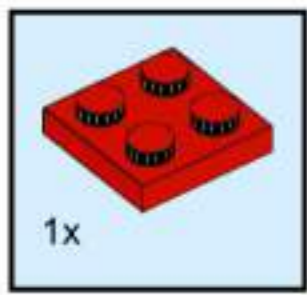
# 291



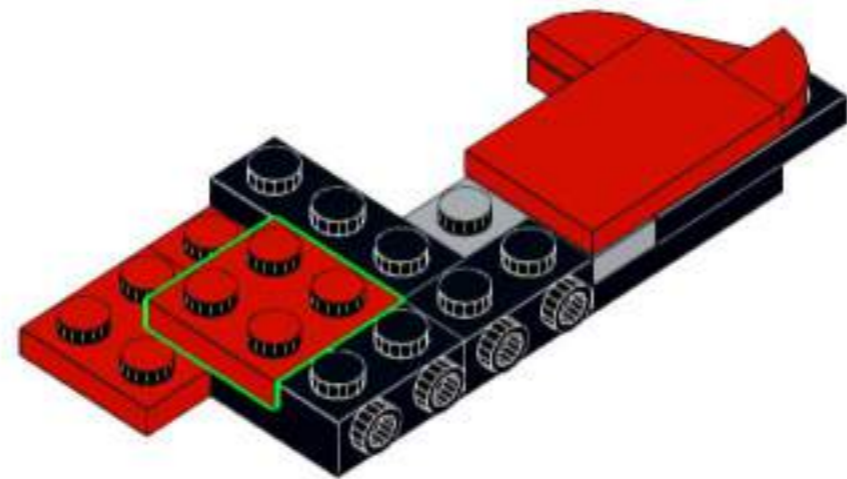
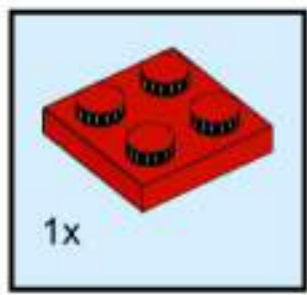
292



293

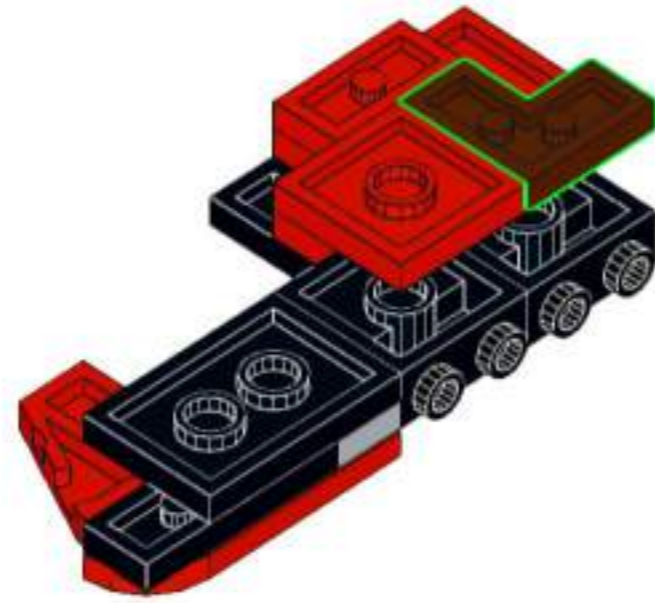
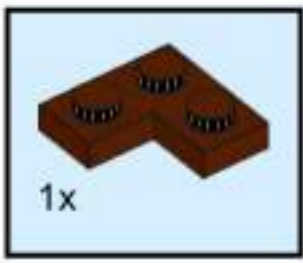


294

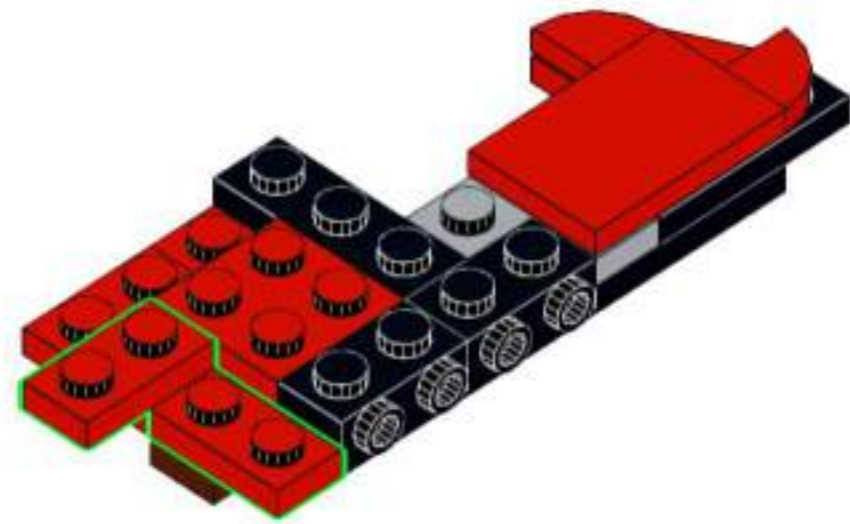
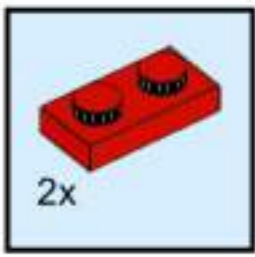




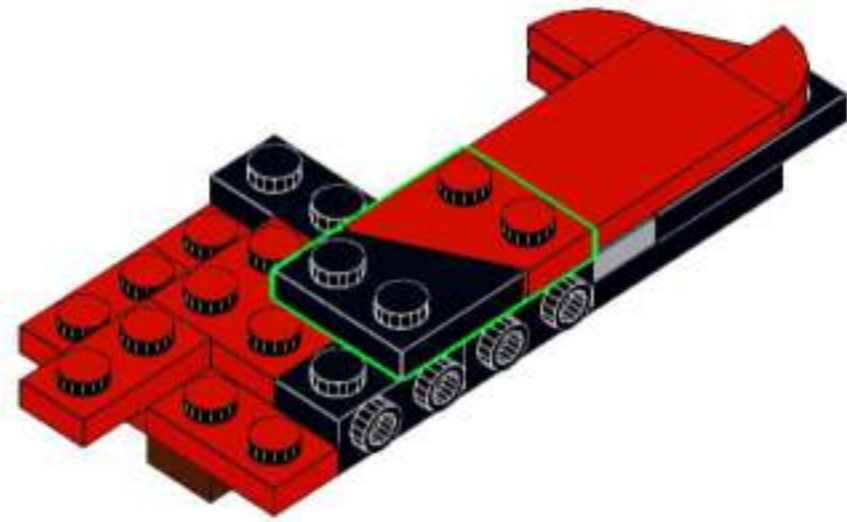
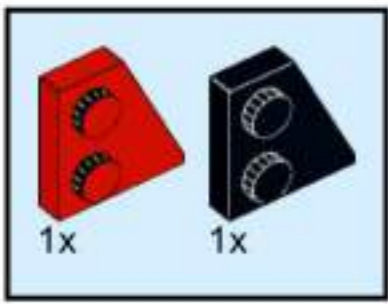
295



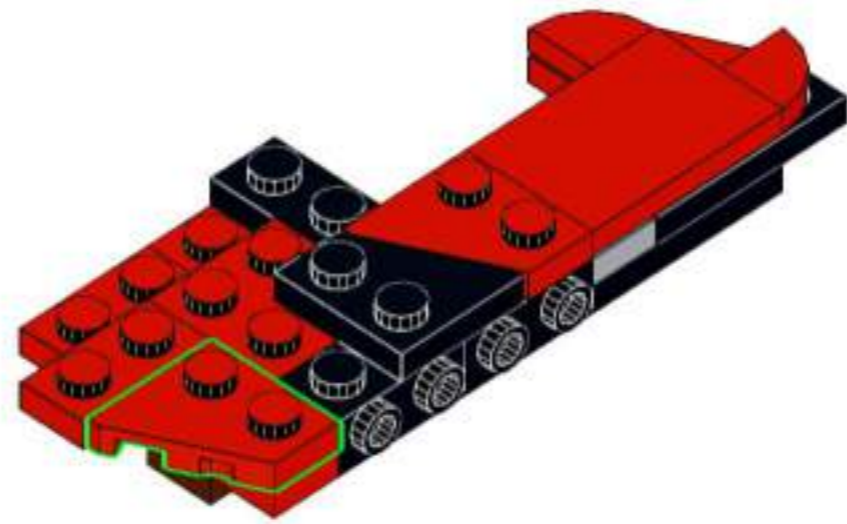
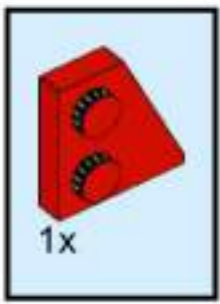
296



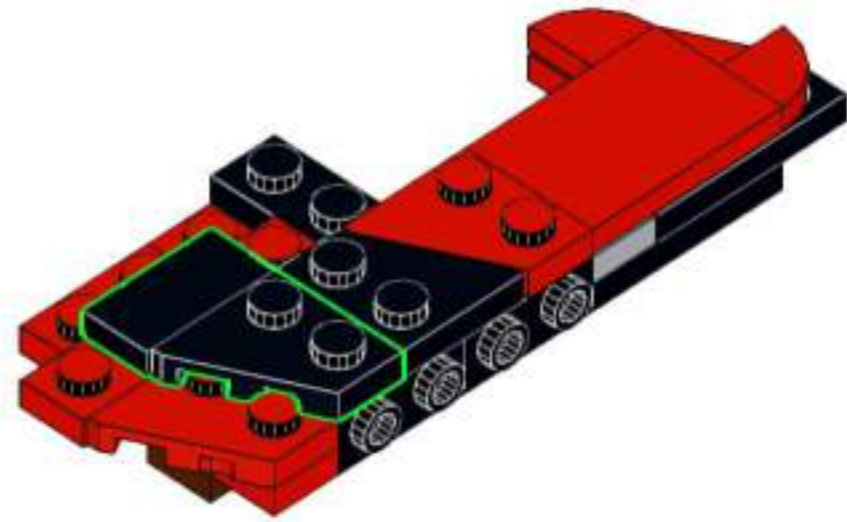
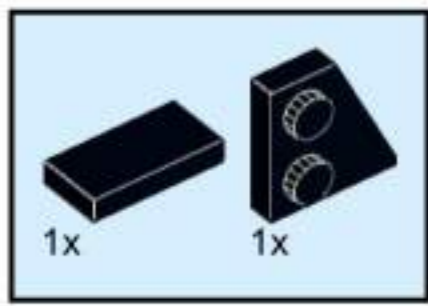
# 297



298

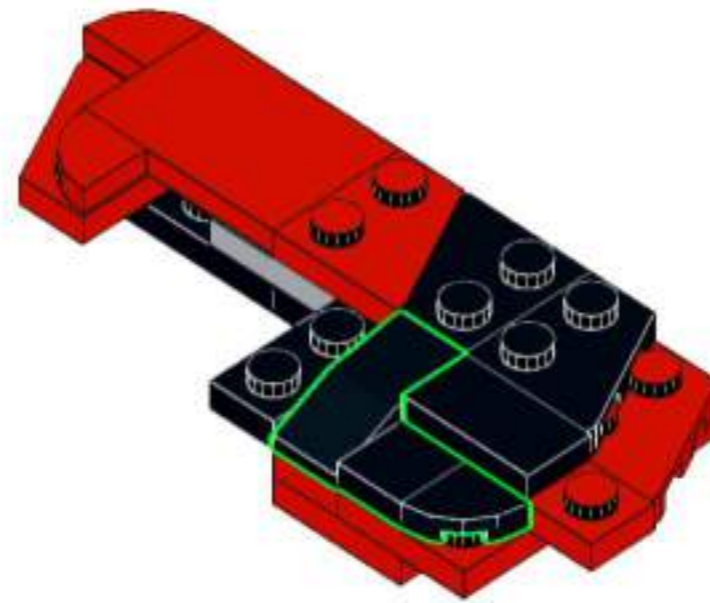
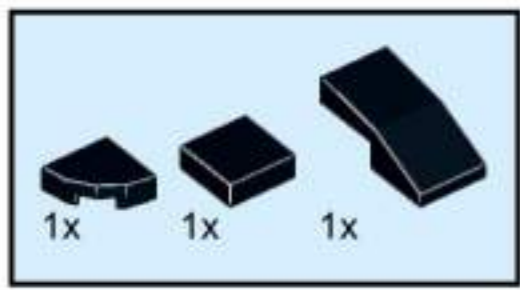


# 299

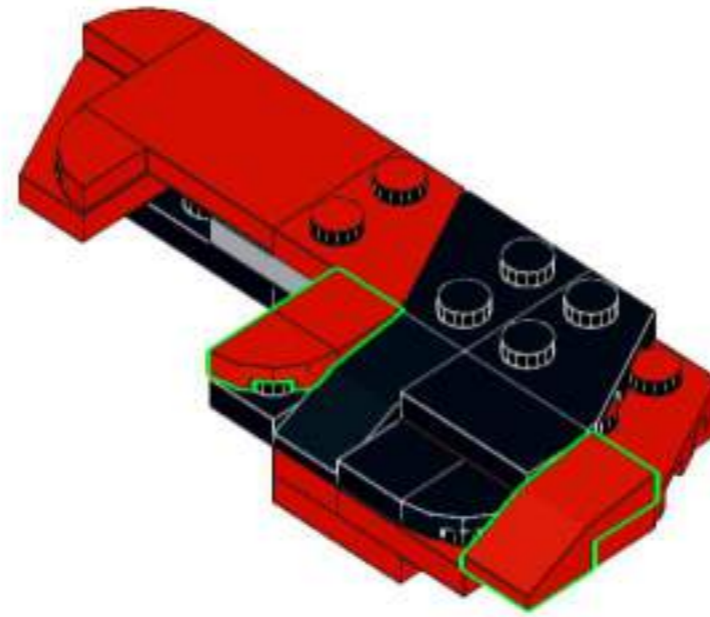
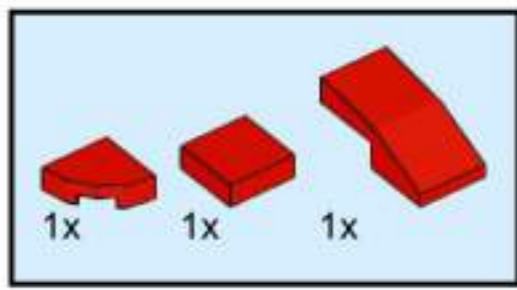




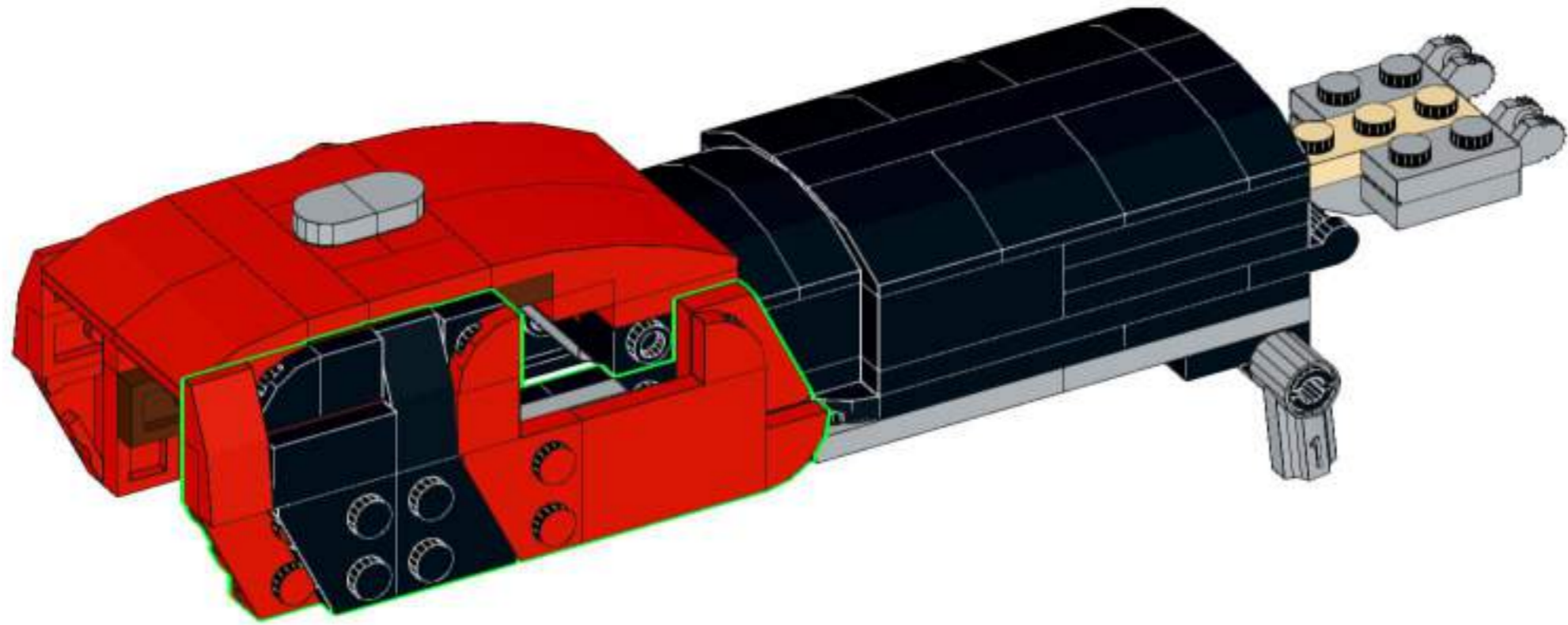
# 300



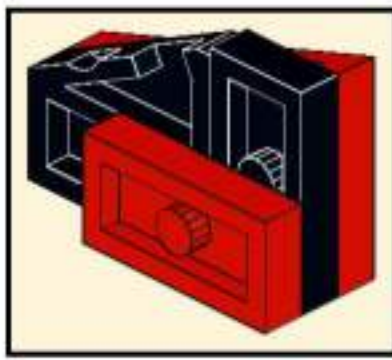
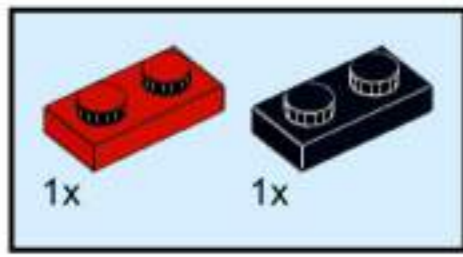
# 301



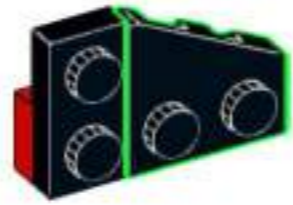
302



# 303

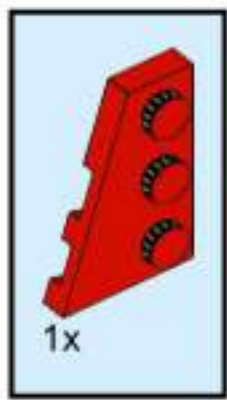


304

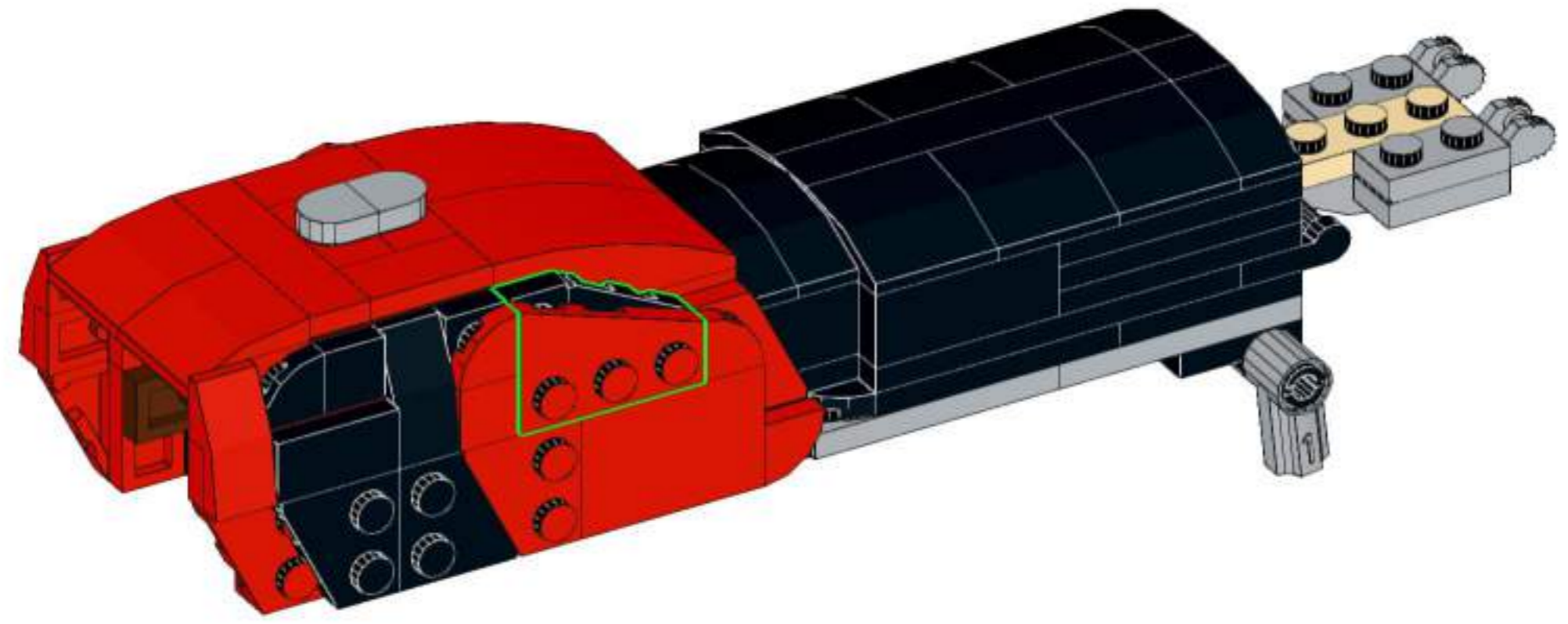




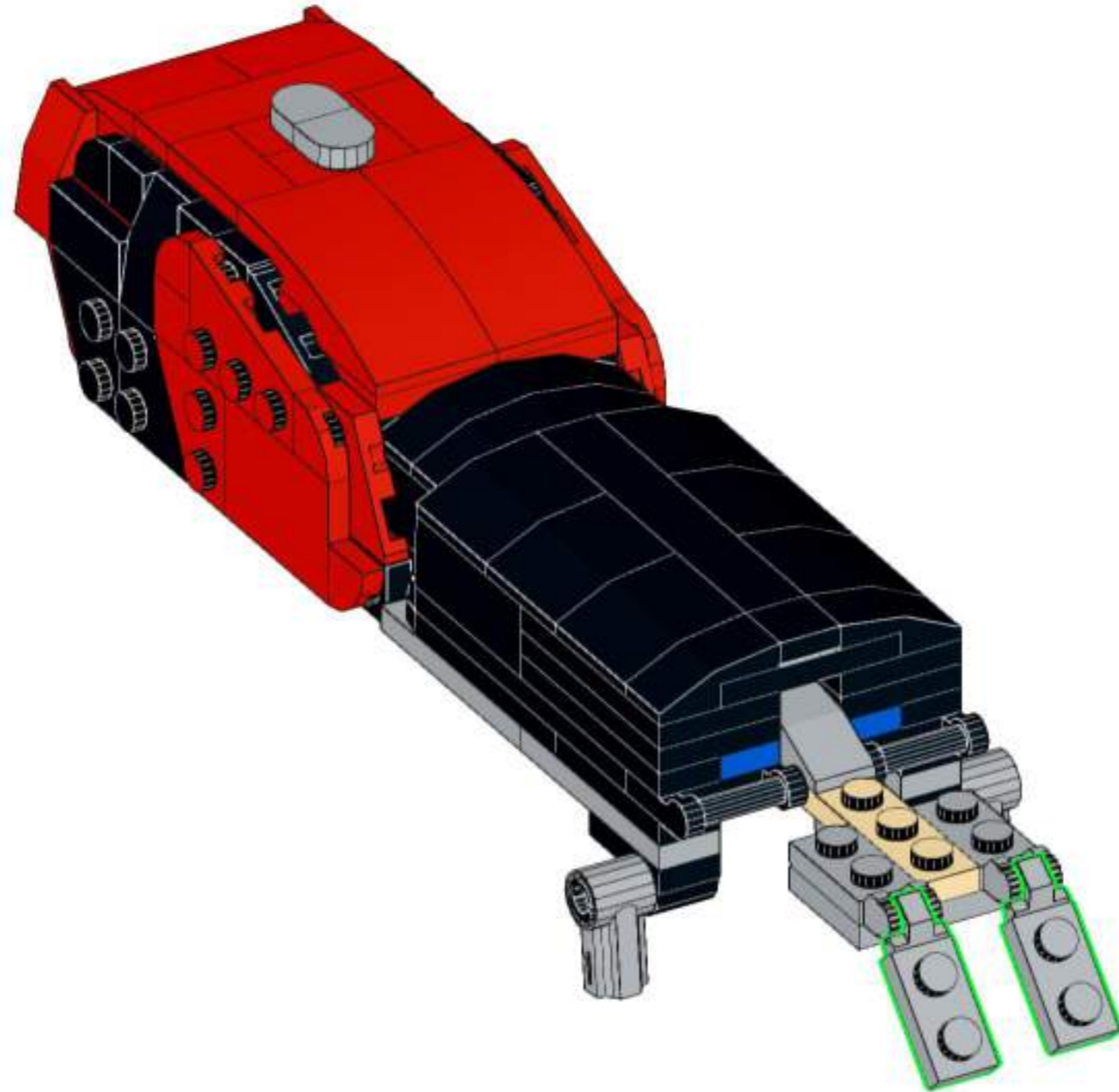
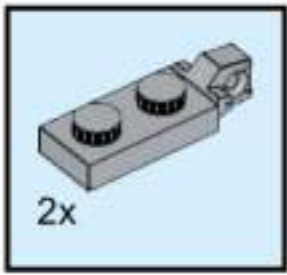
305



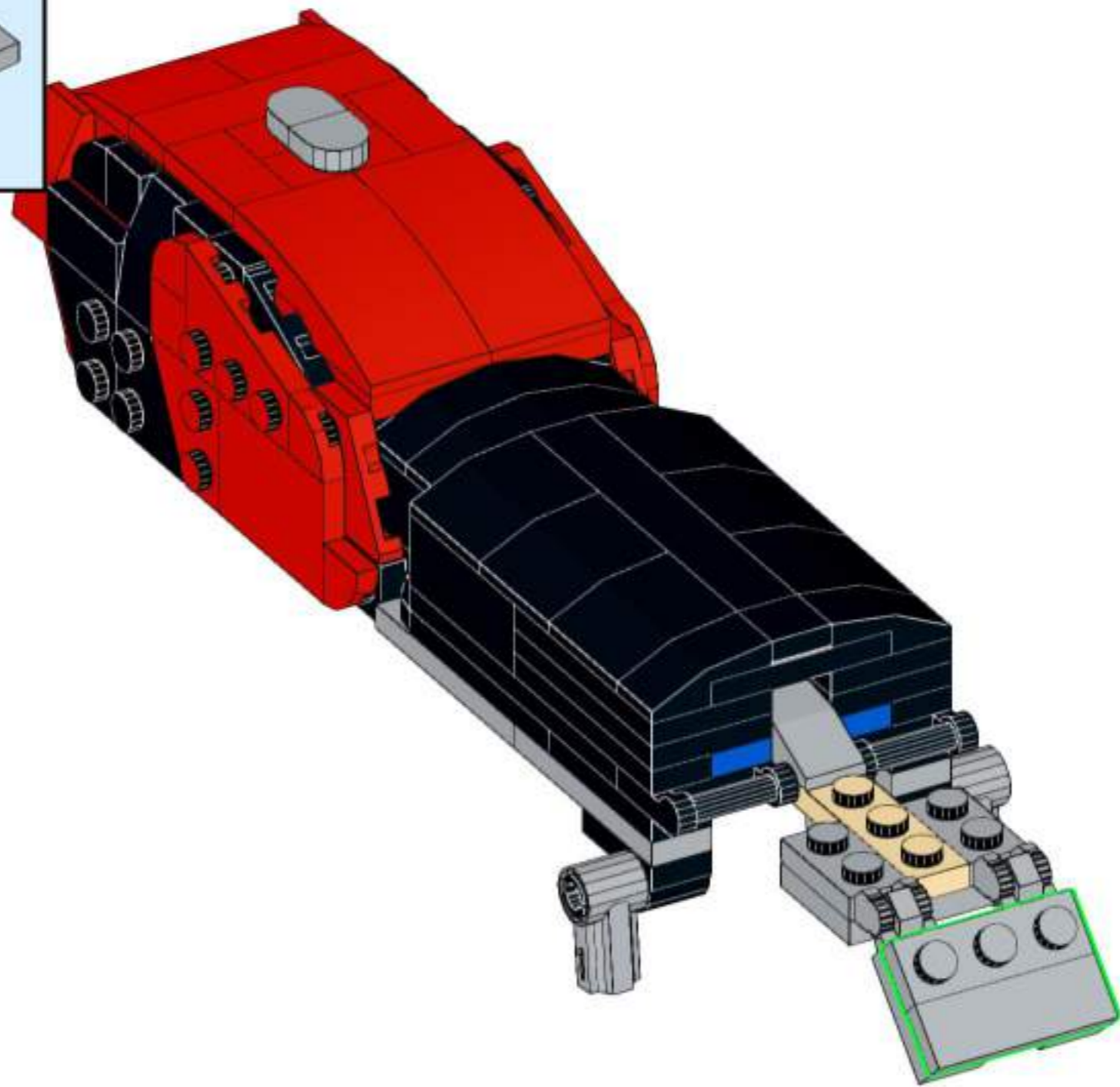
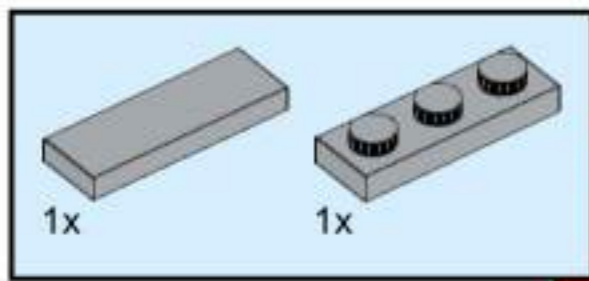
306



# 307

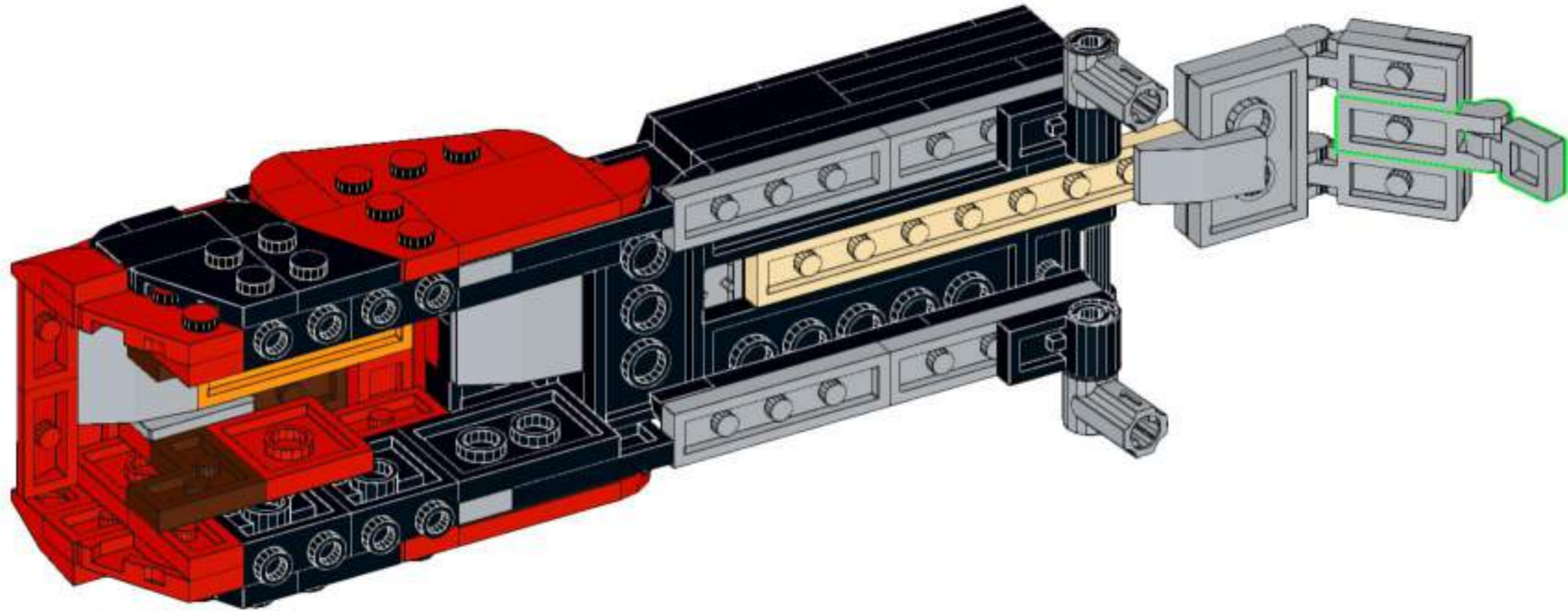
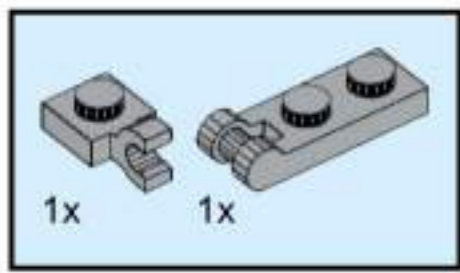


308



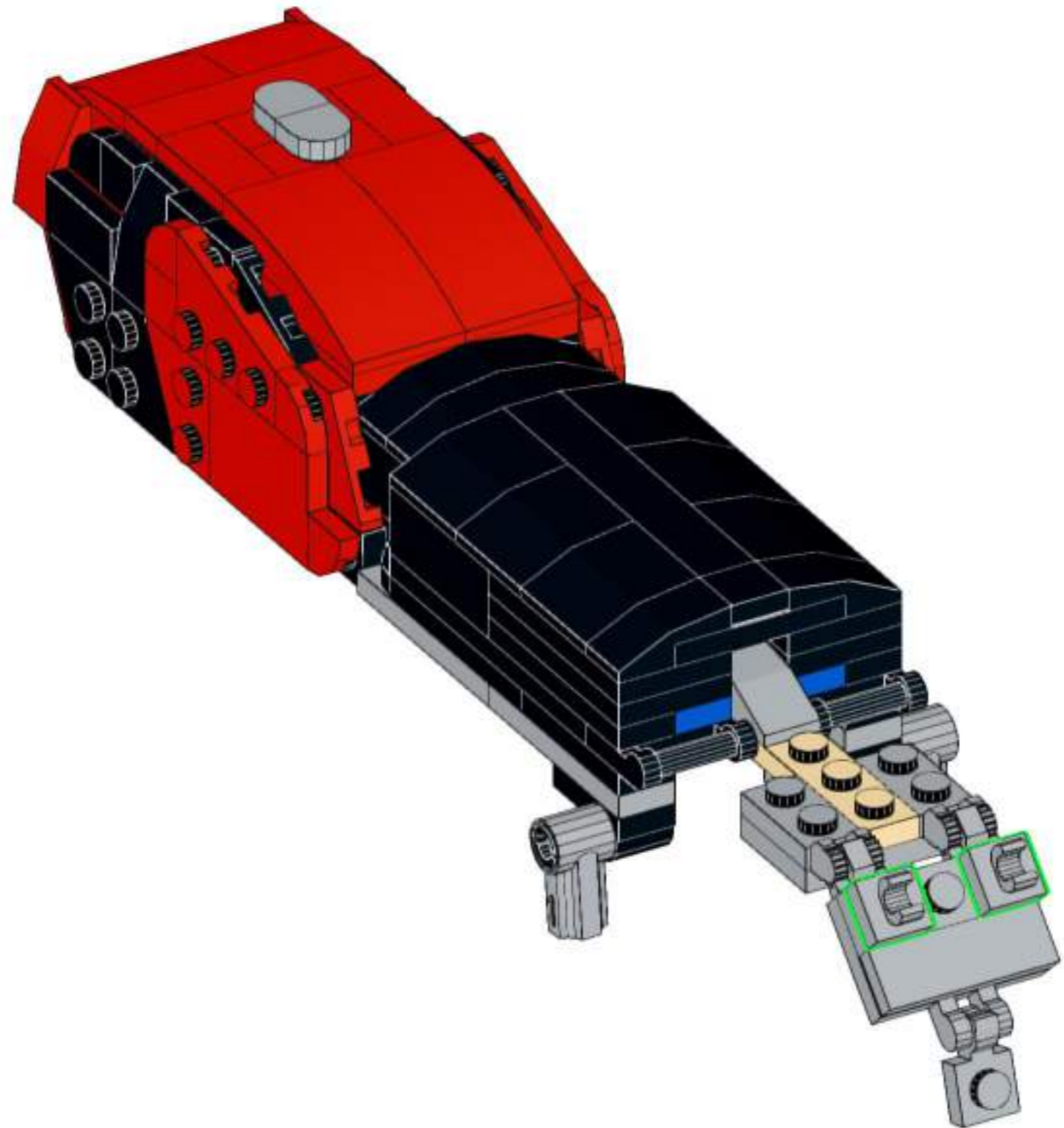
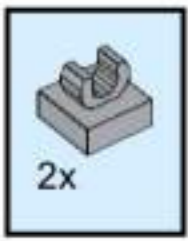


# 309

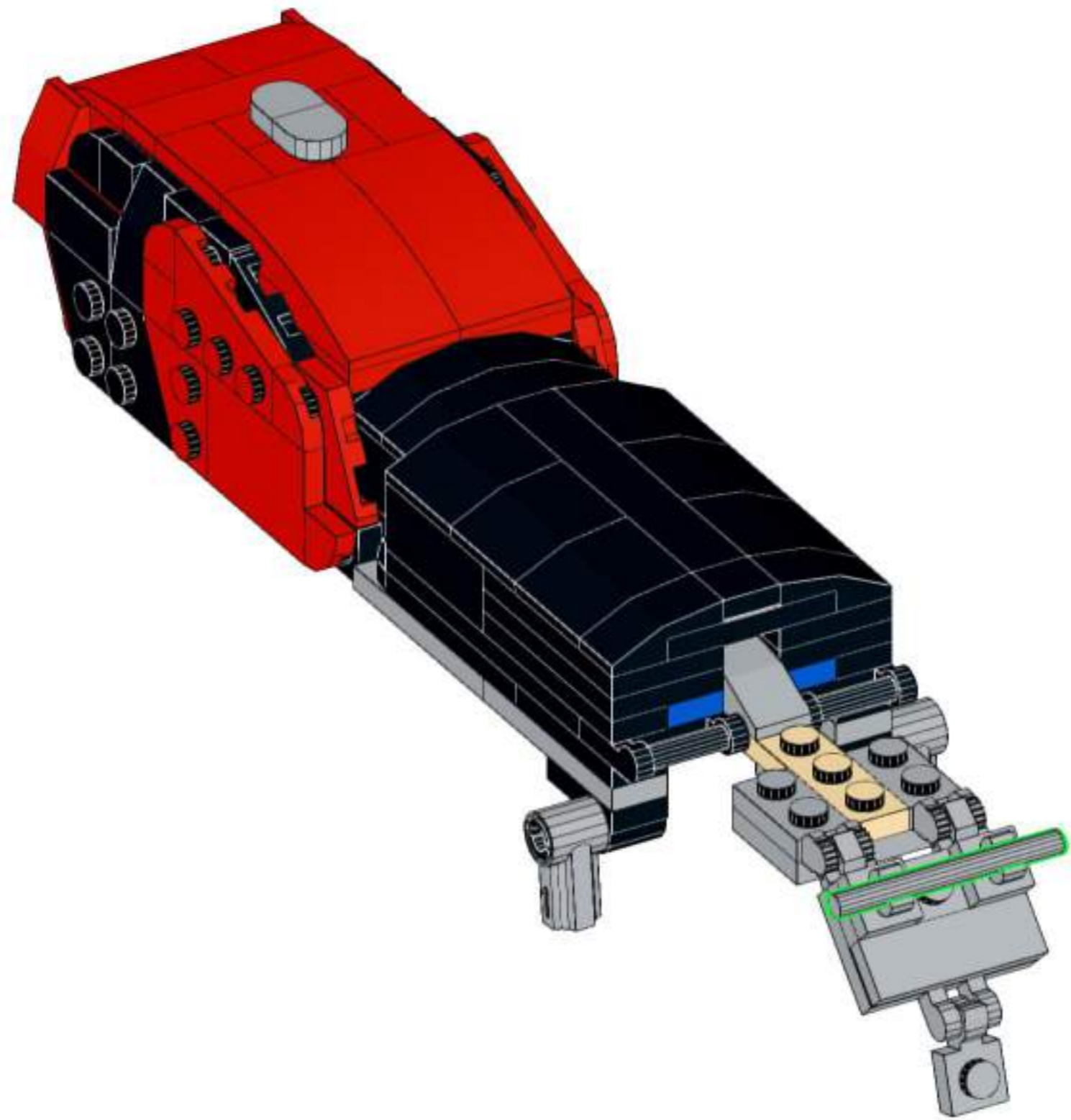
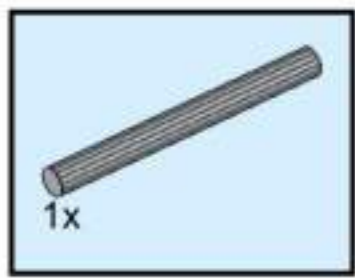




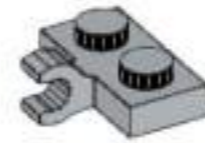
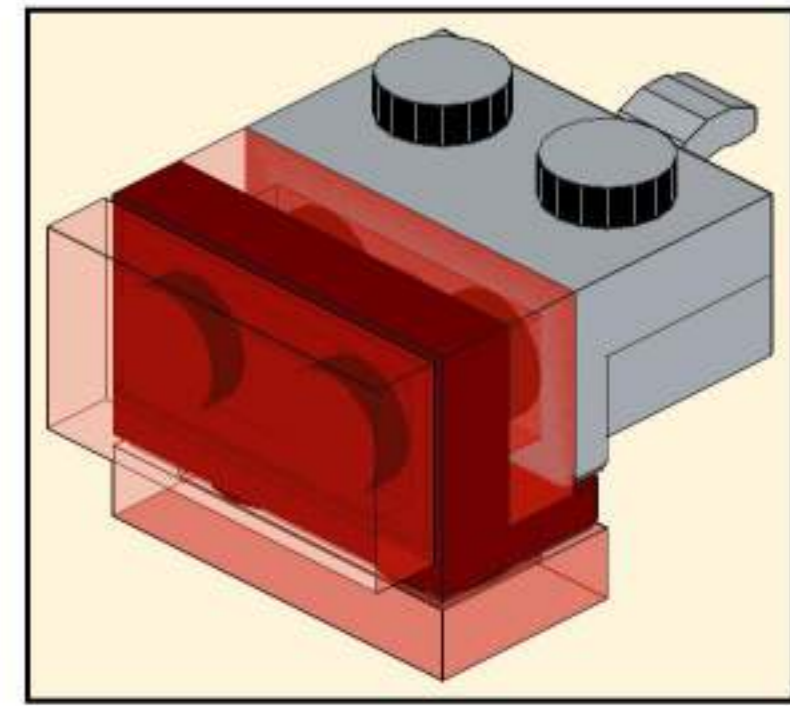
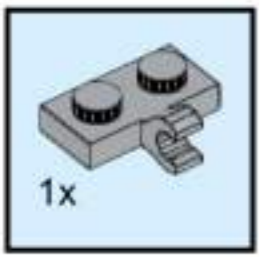
310



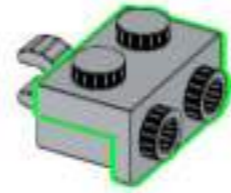
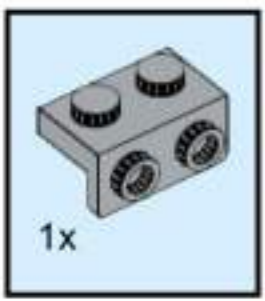
# 311



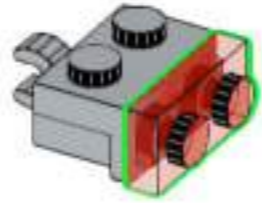
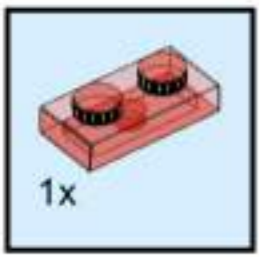
312



313

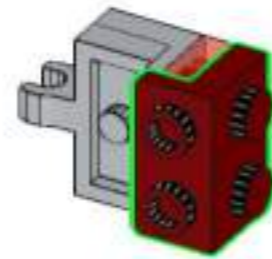
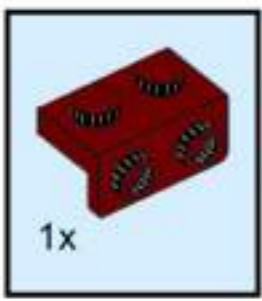


314

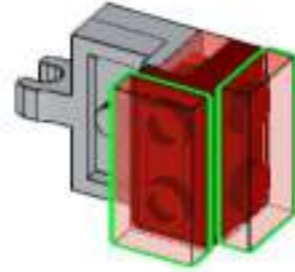
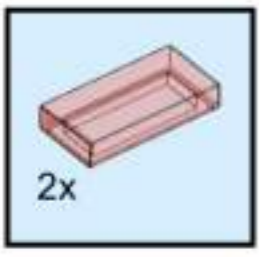




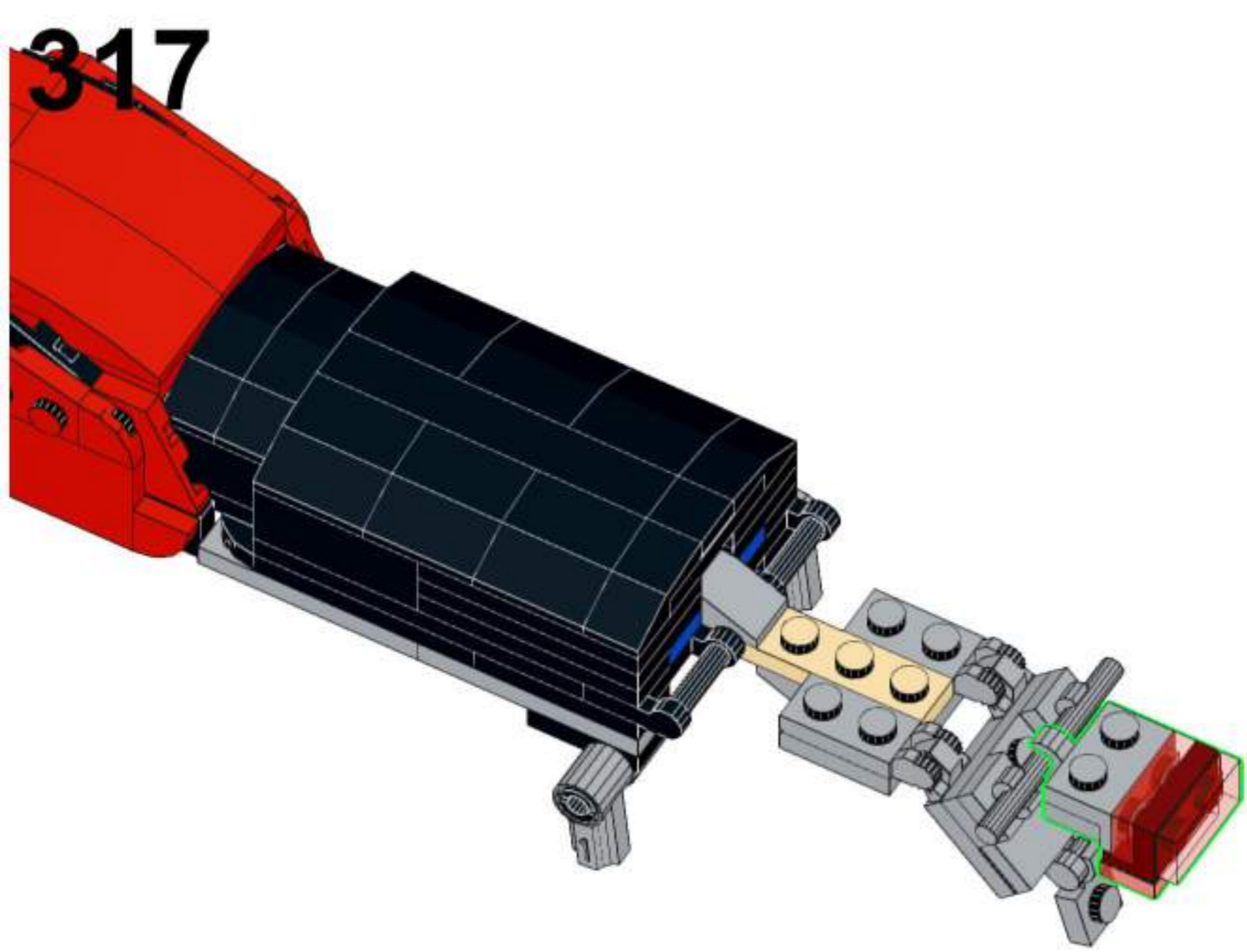
315



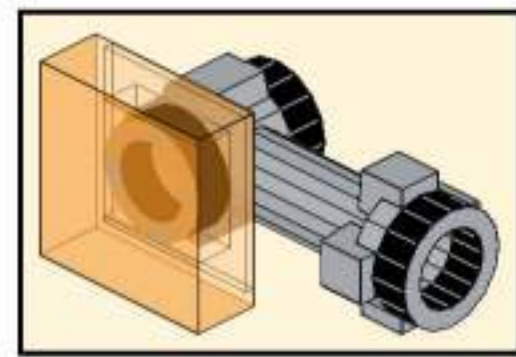
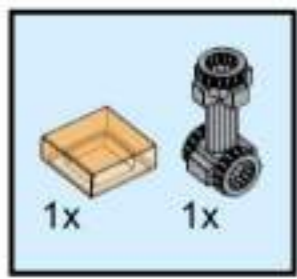
316



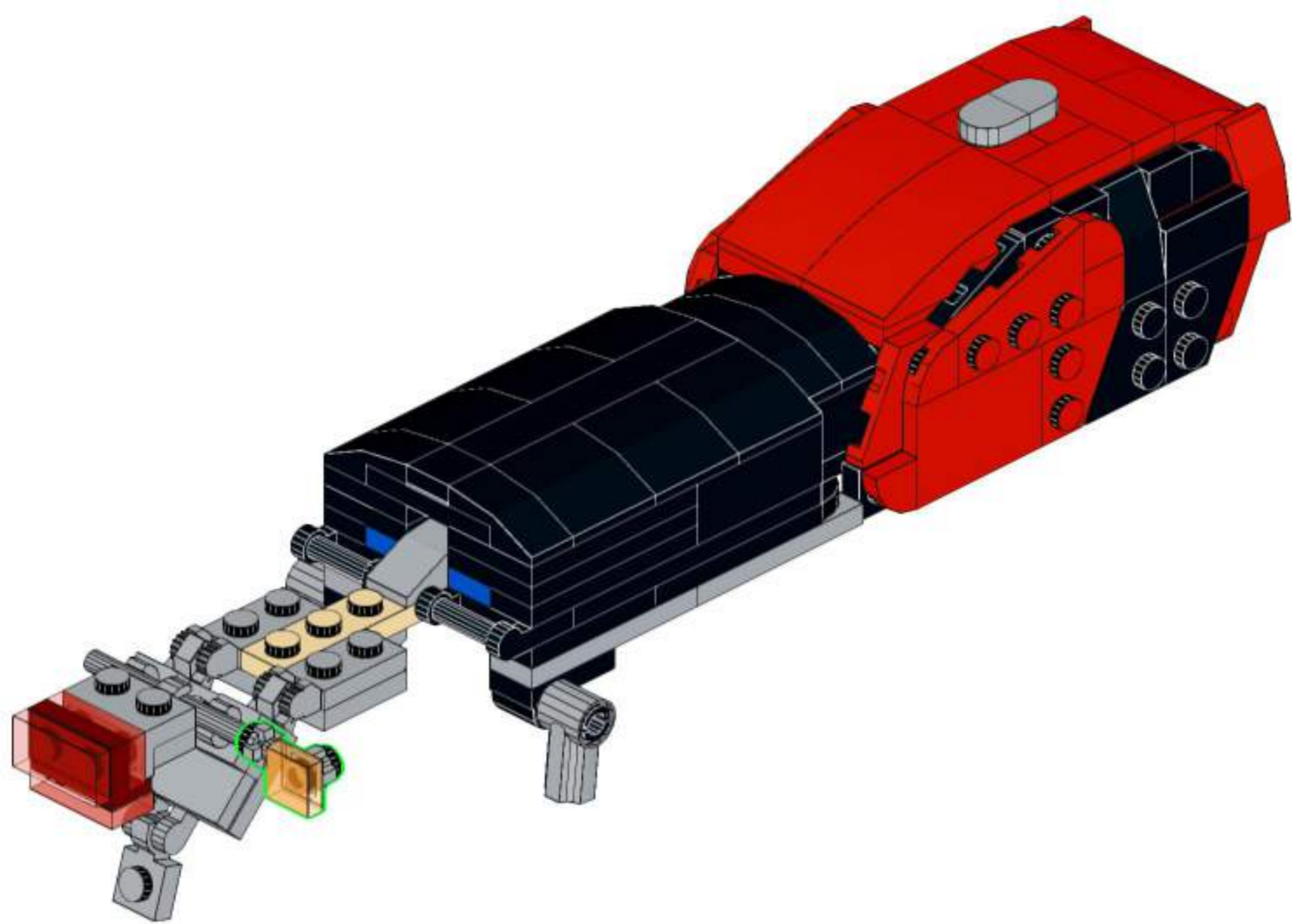
317



# 318

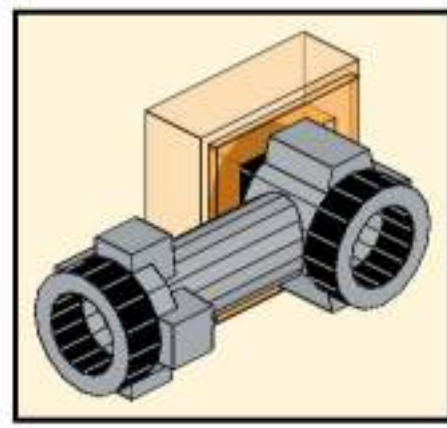
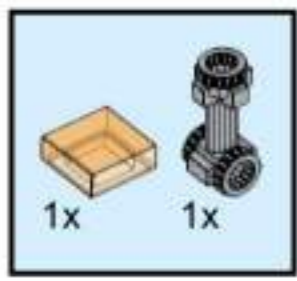


319

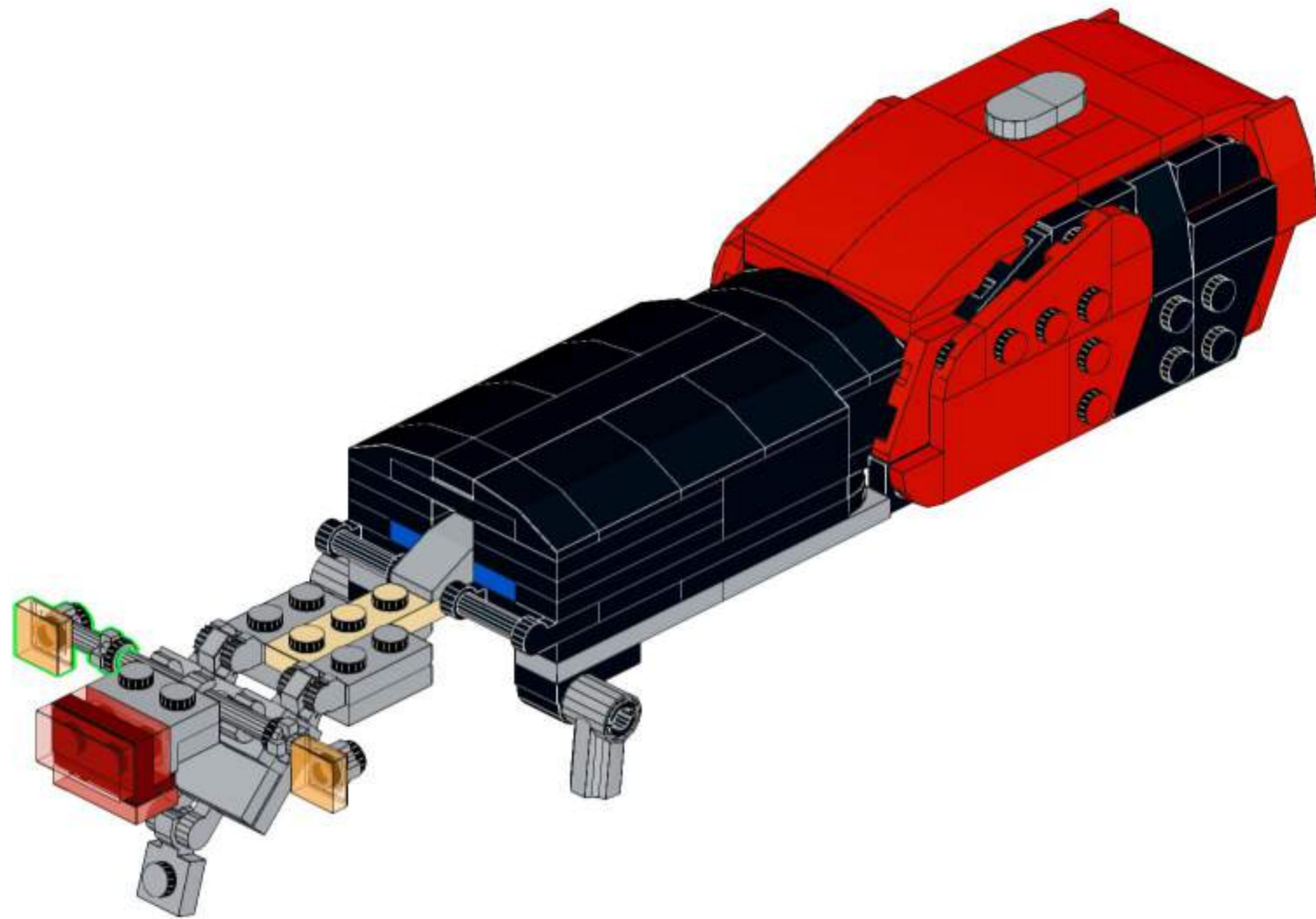




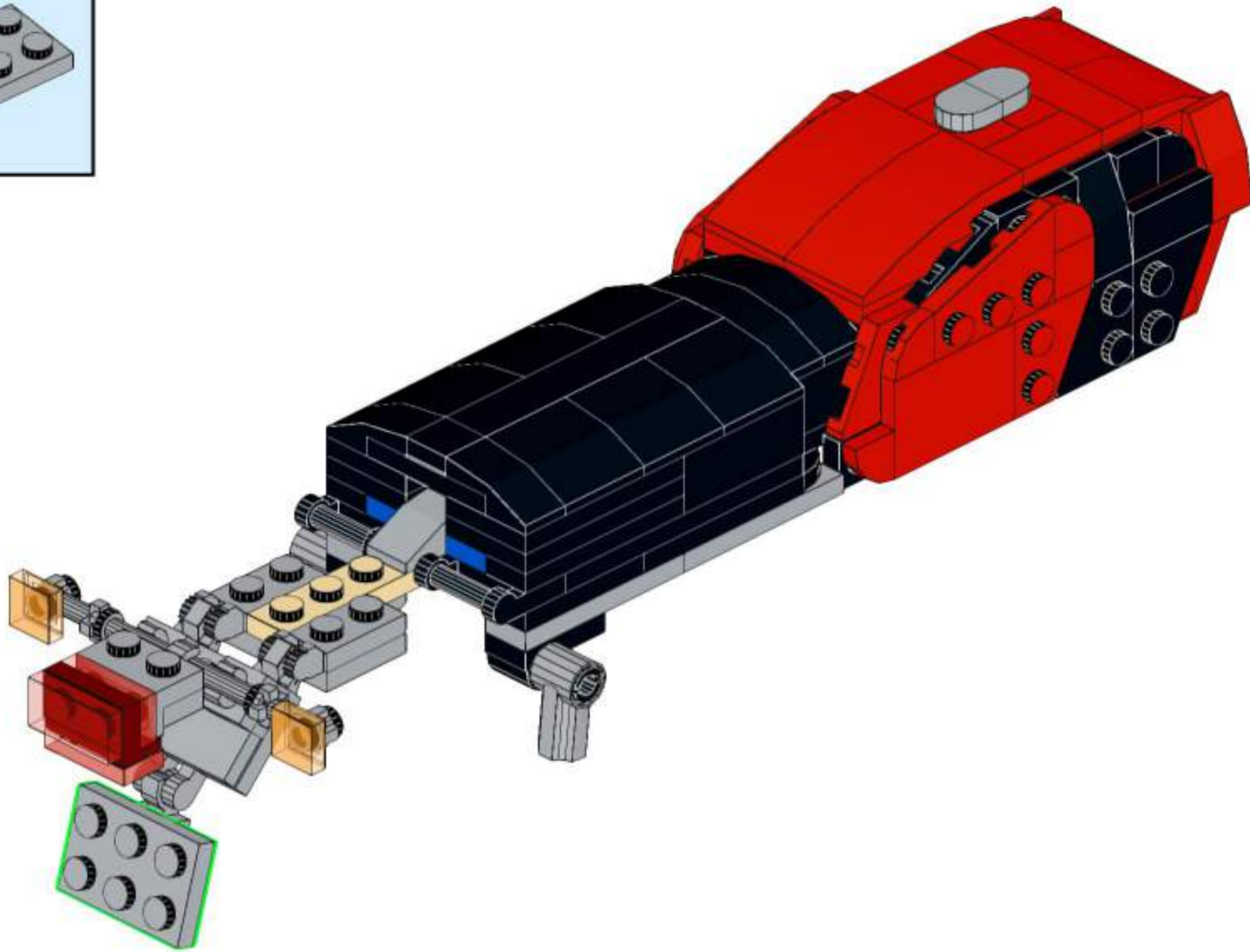
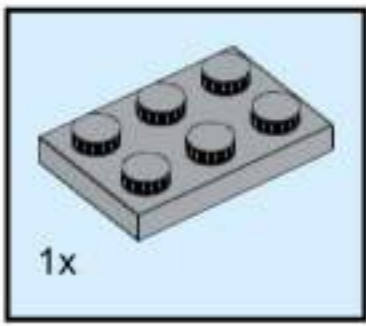
# 320



321

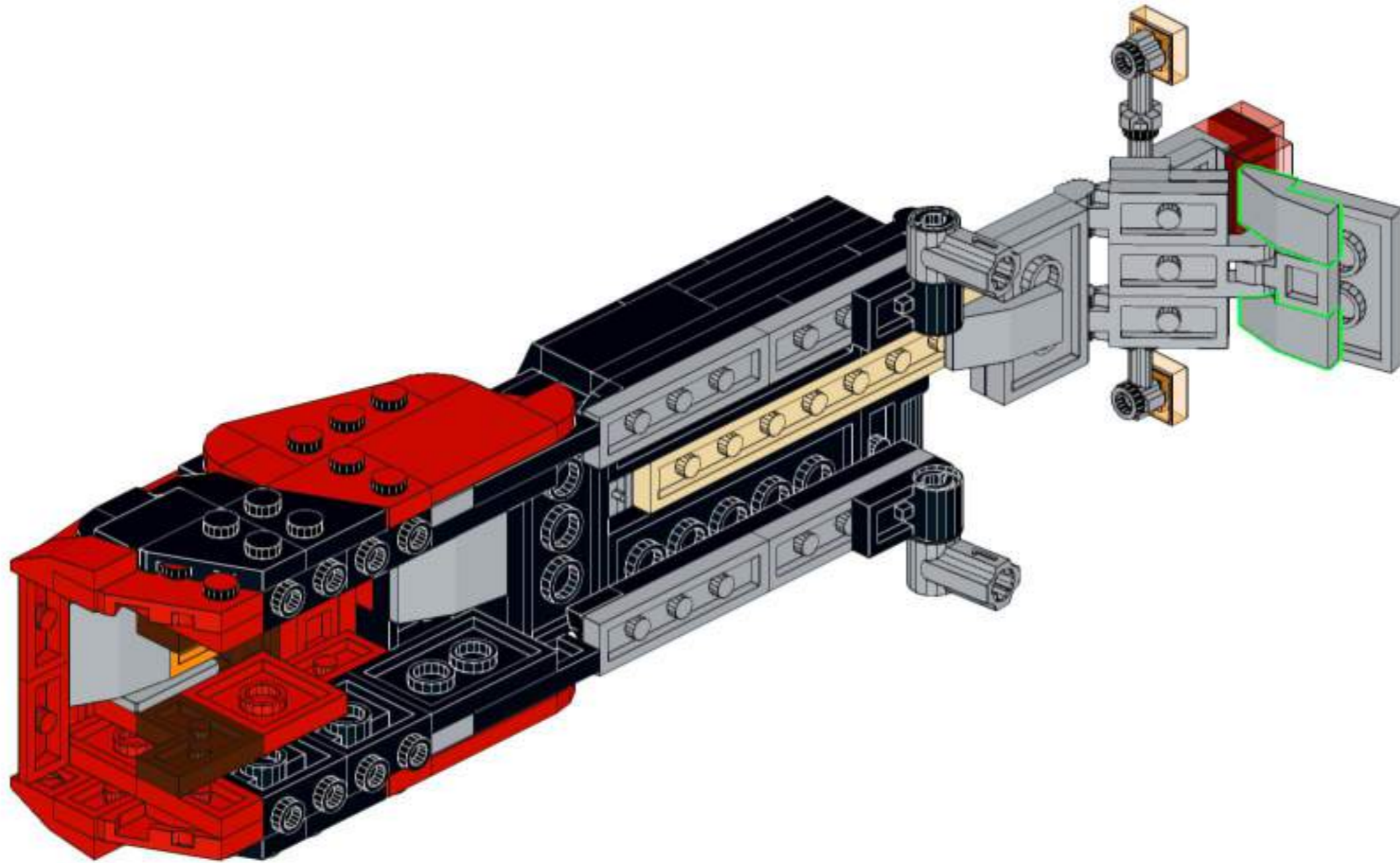
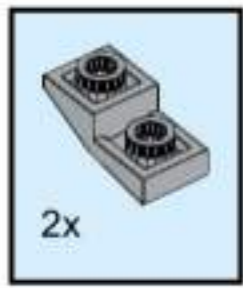


322

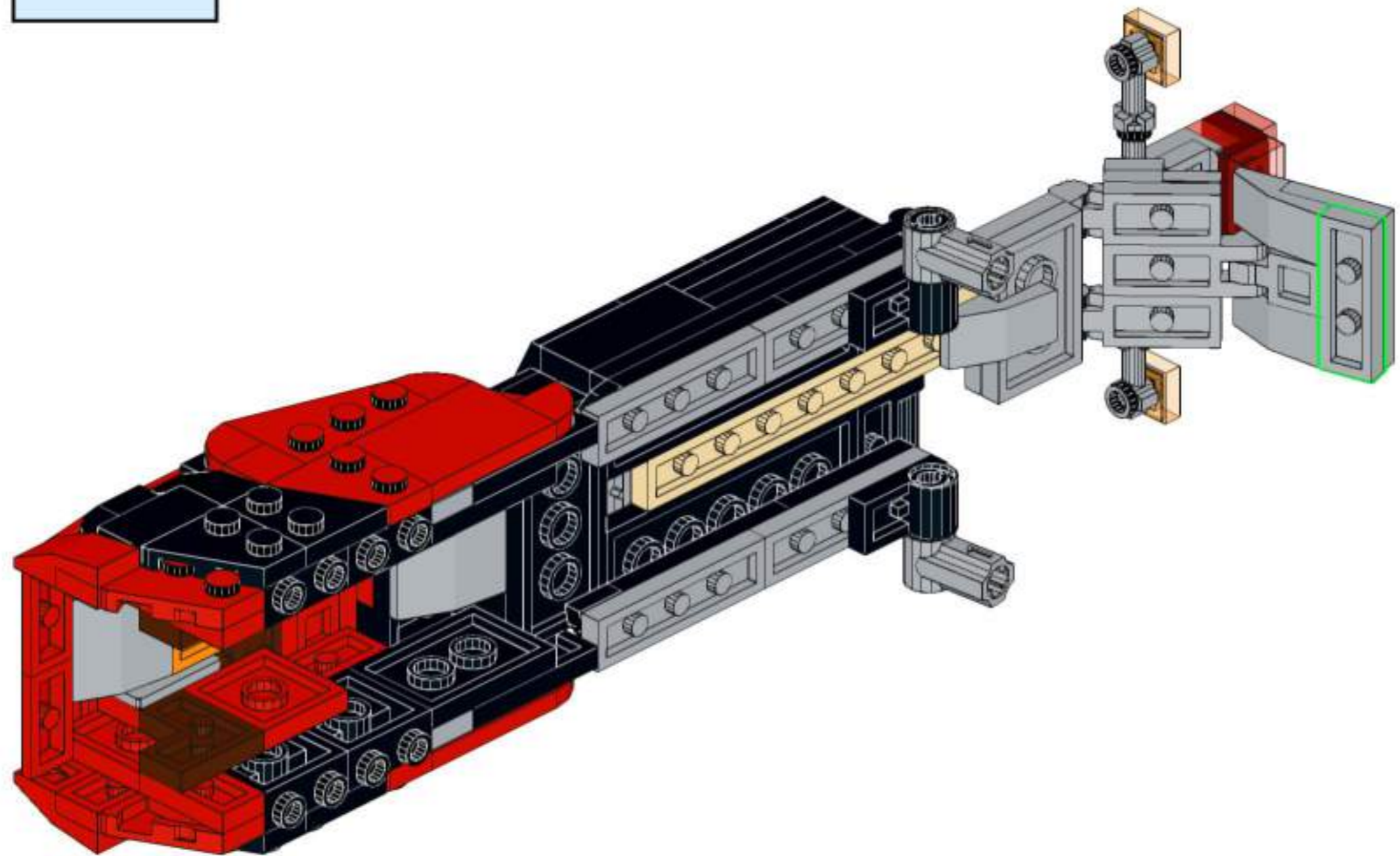
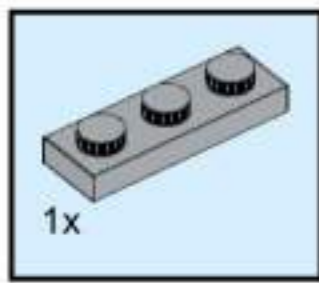




# 323

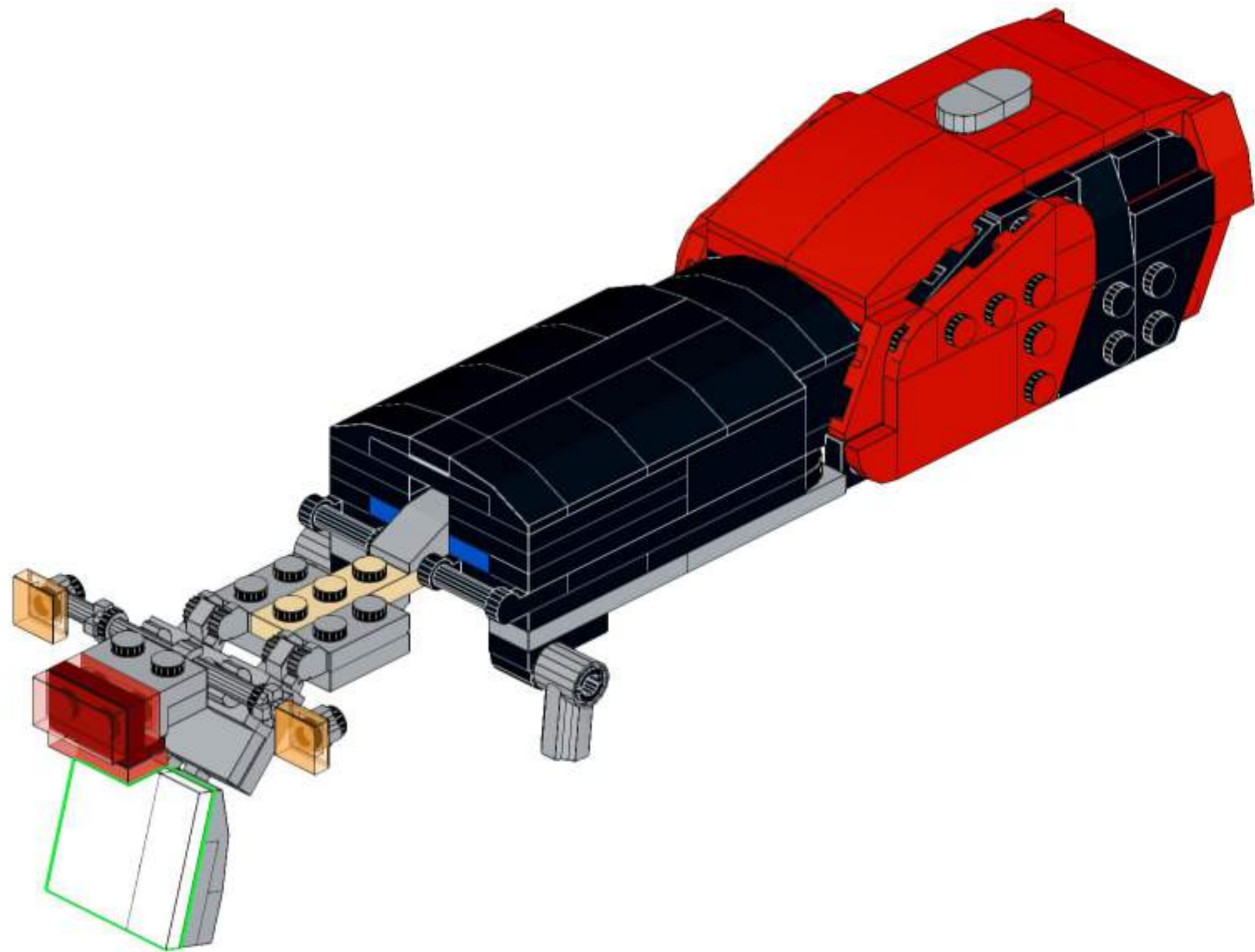
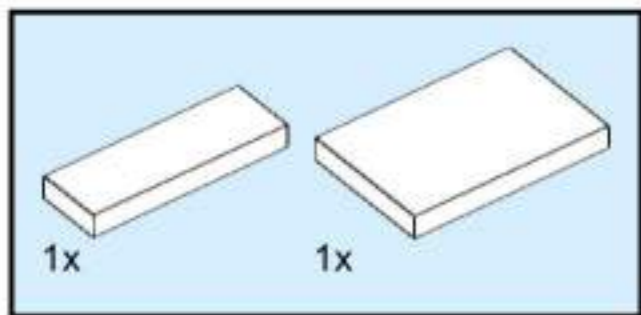


# 324

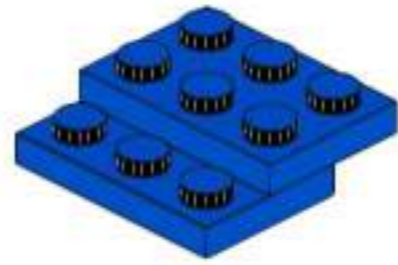
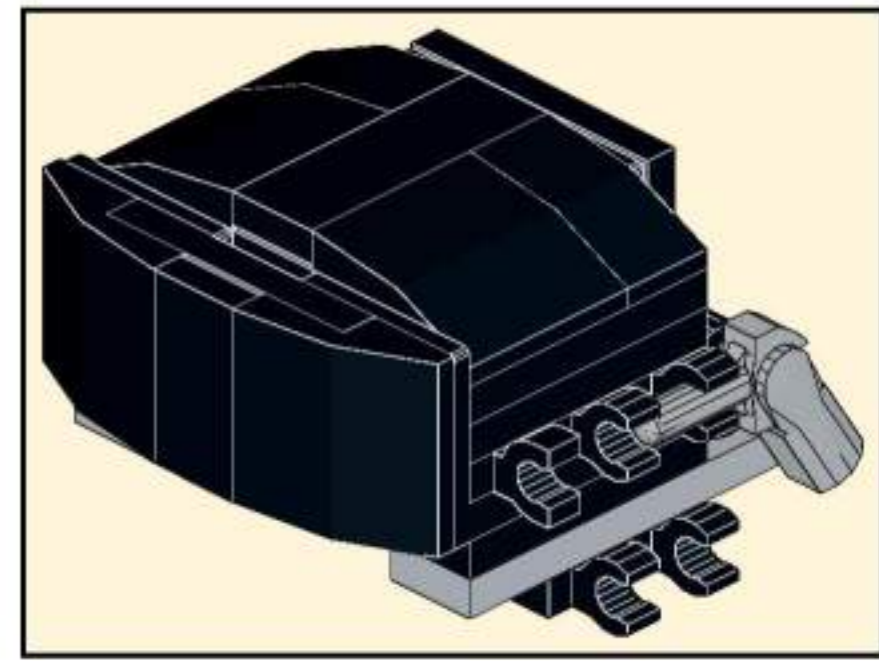
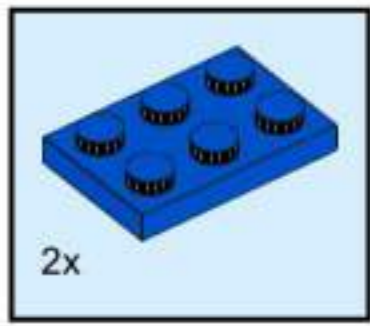




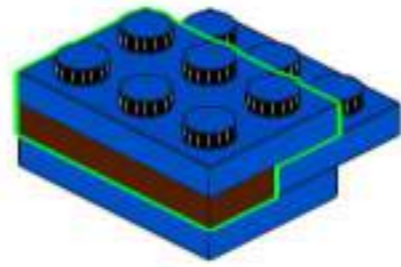
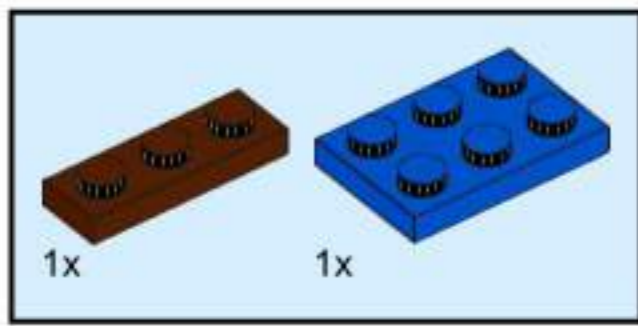
# 325



326



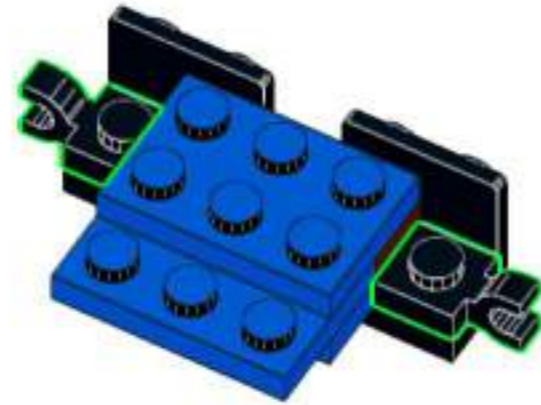
# 327



328

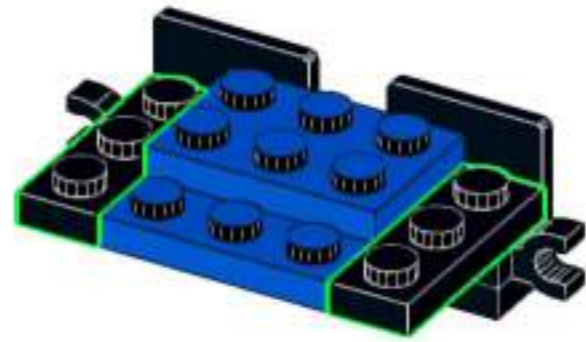
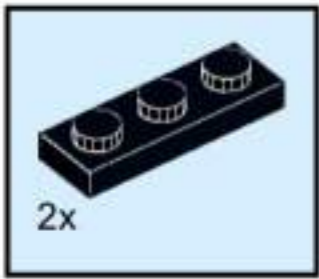


329

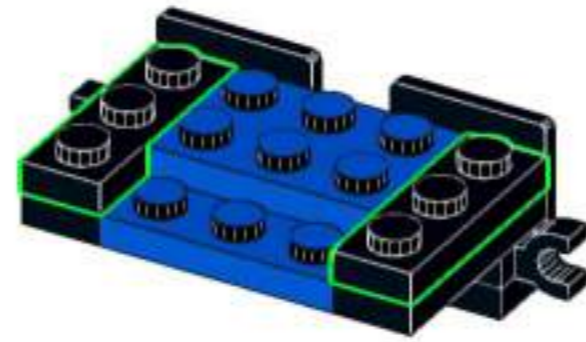
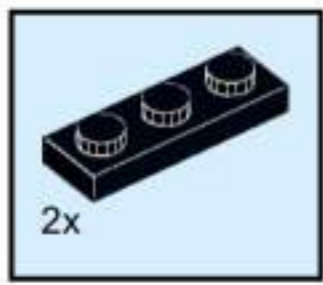




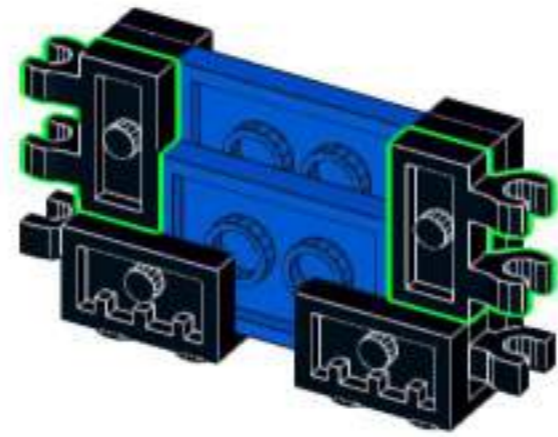
330



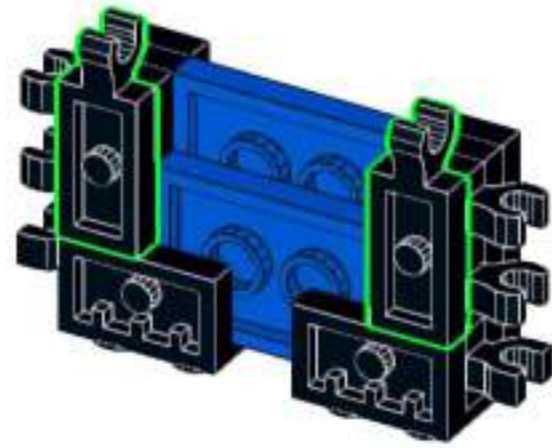
331



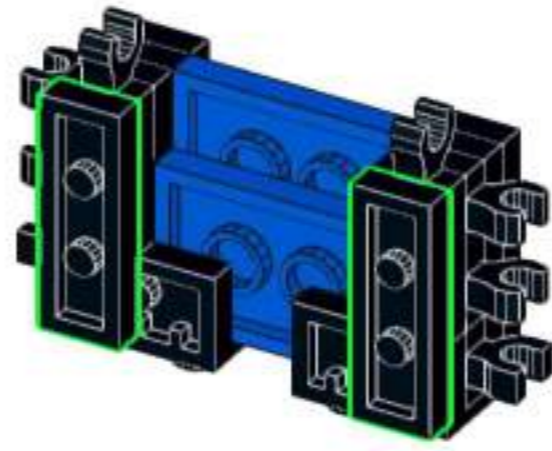
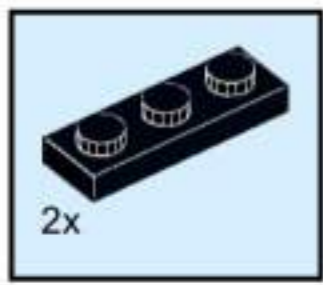
332



333

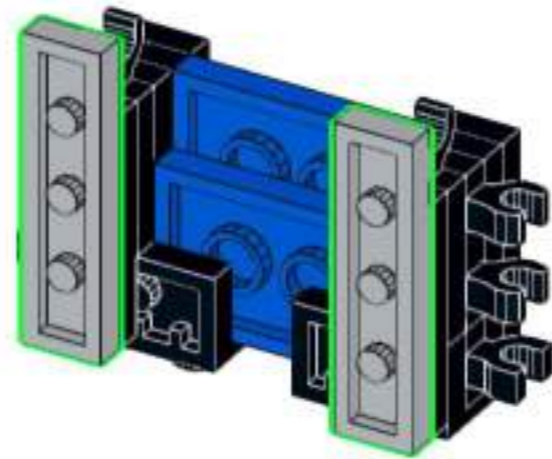
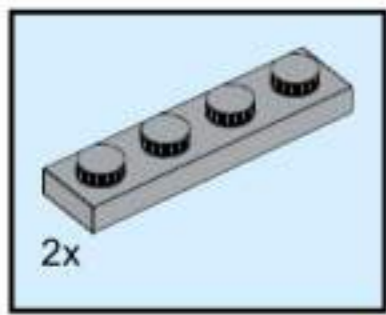


334

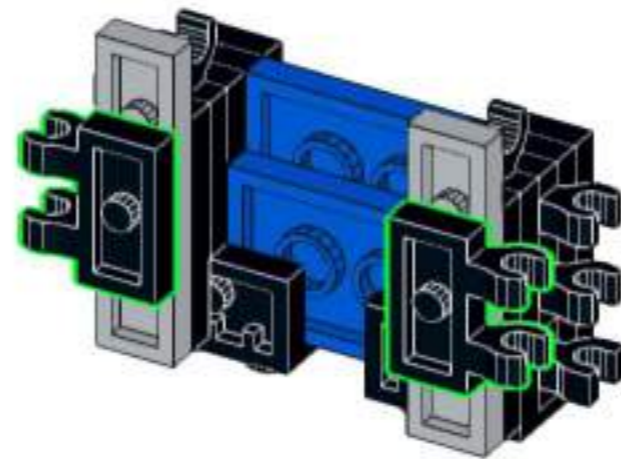




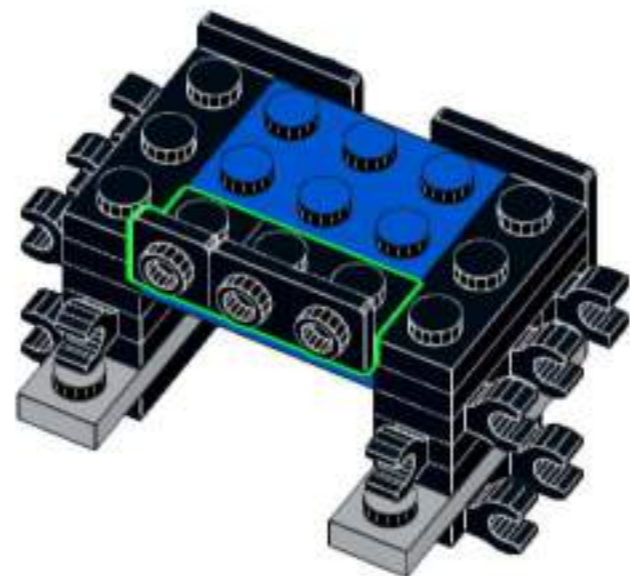
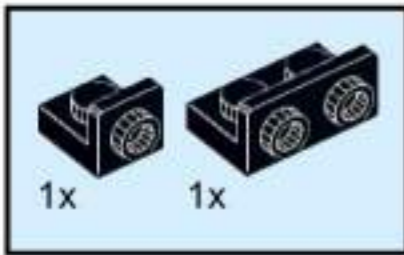
335



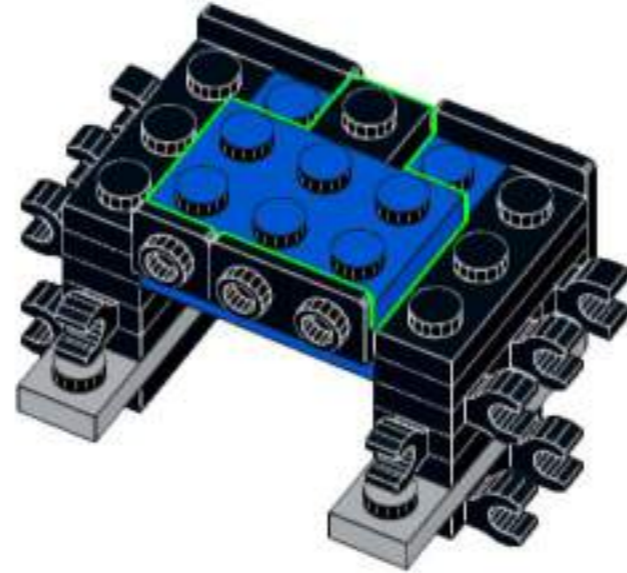
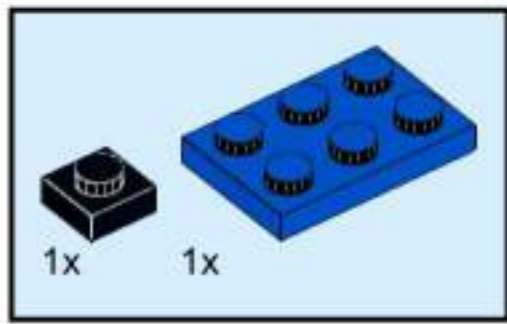
336



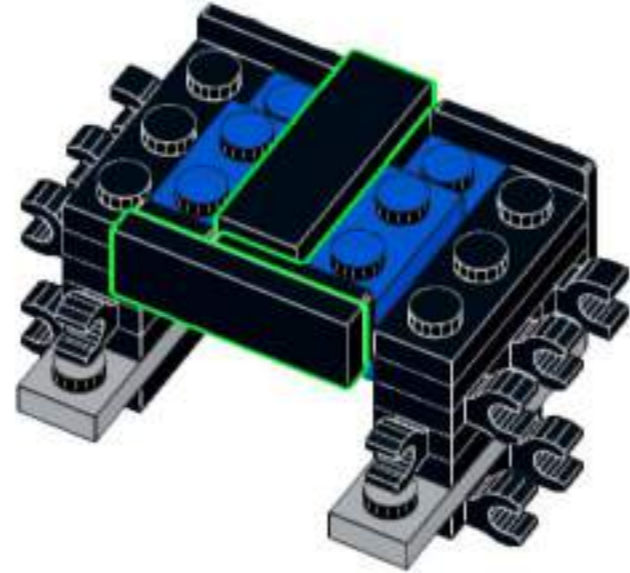
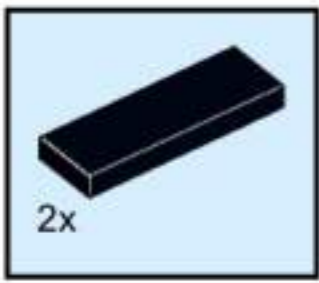
# 337



338

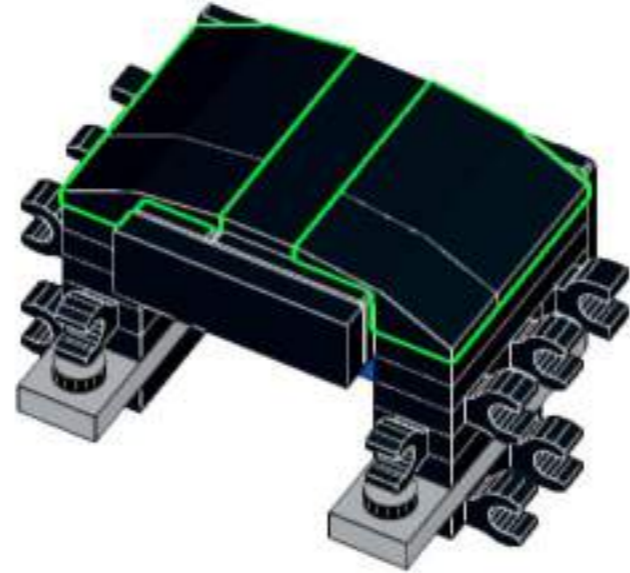
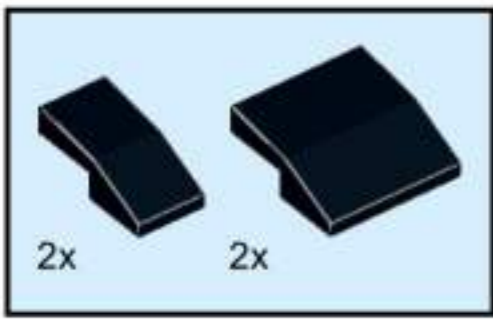


339

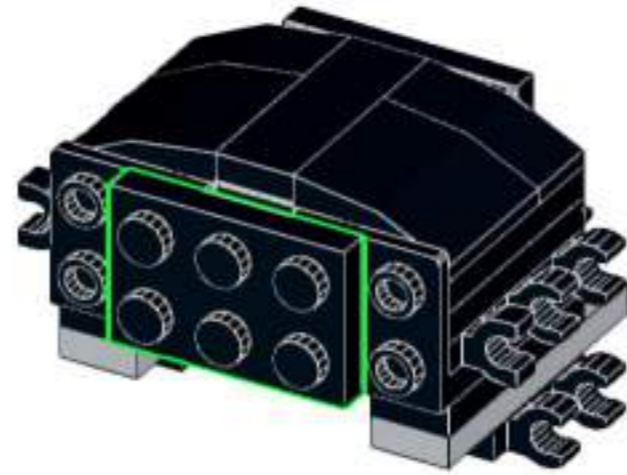
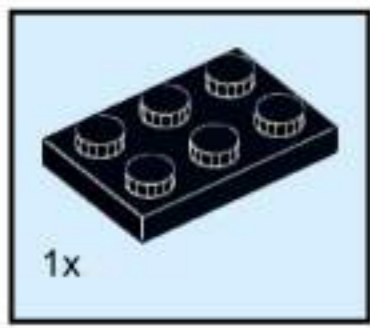




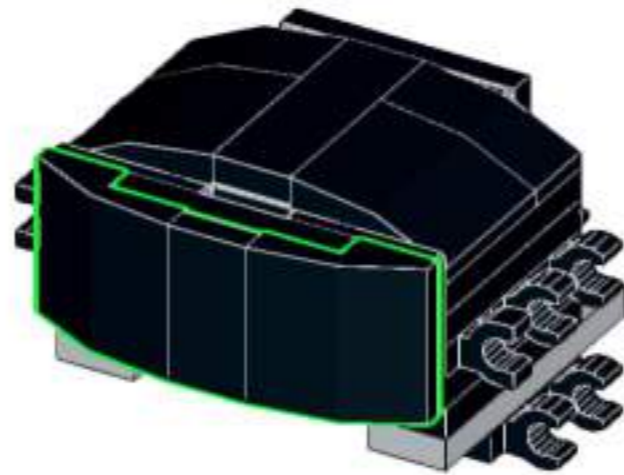
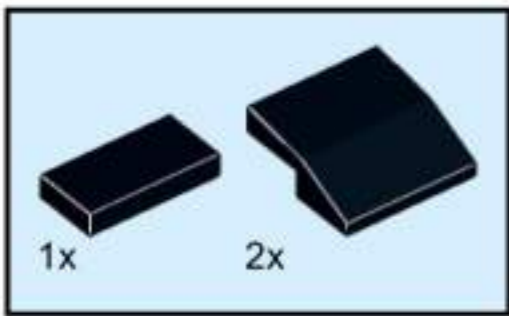
340



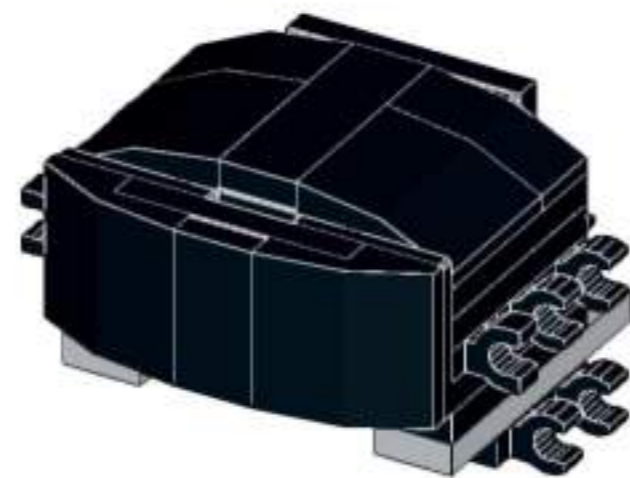
341



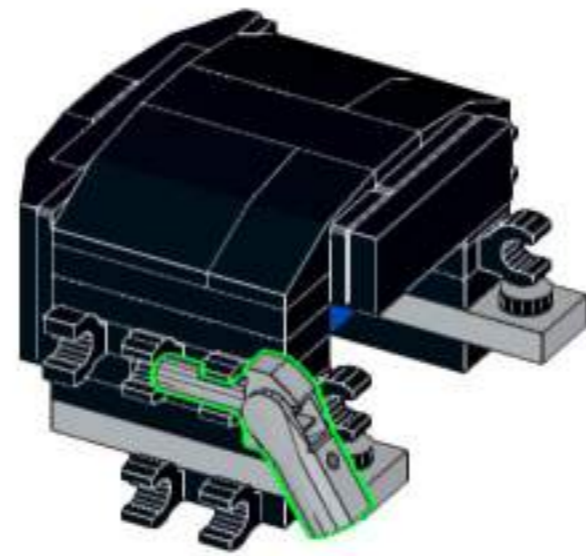
342



343

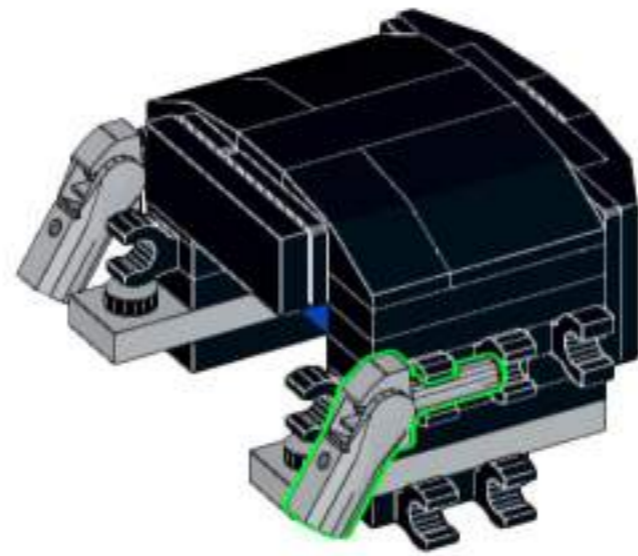


# 344

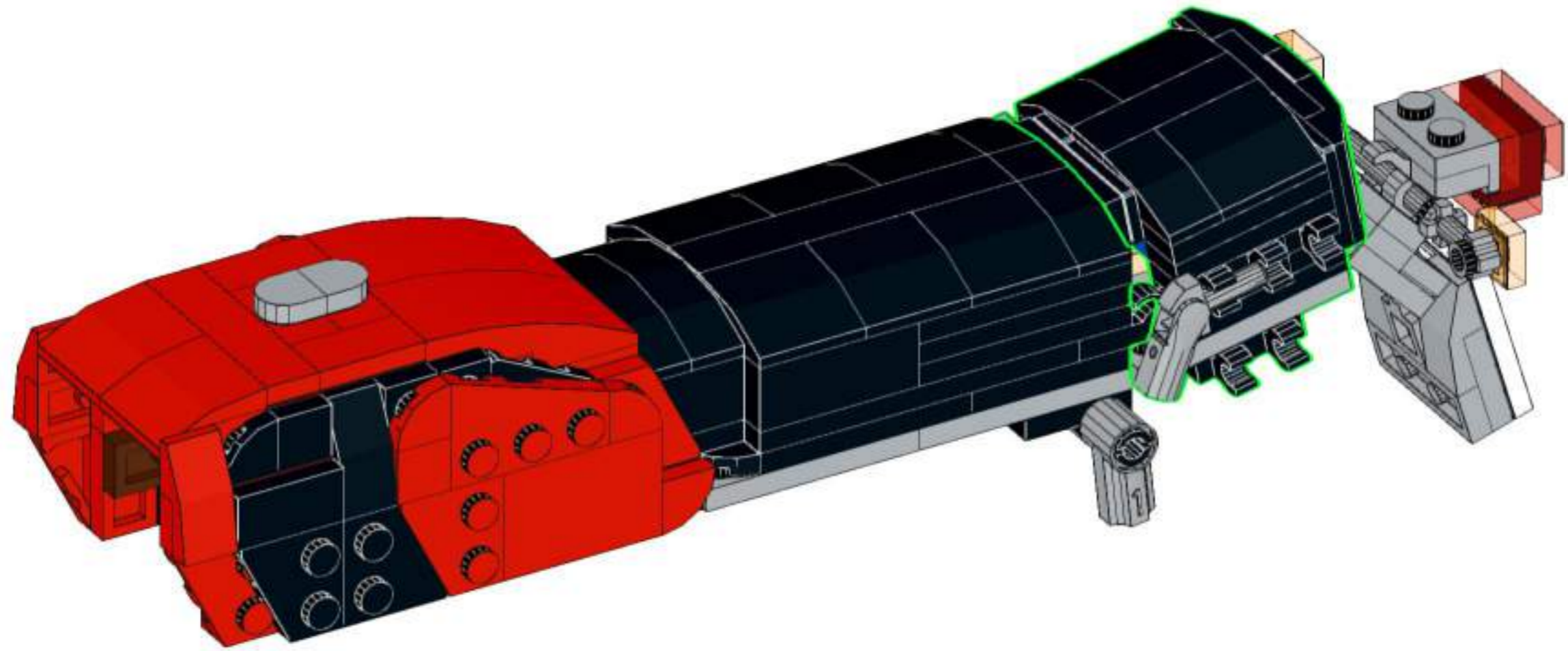




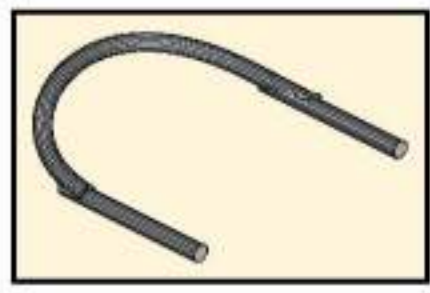
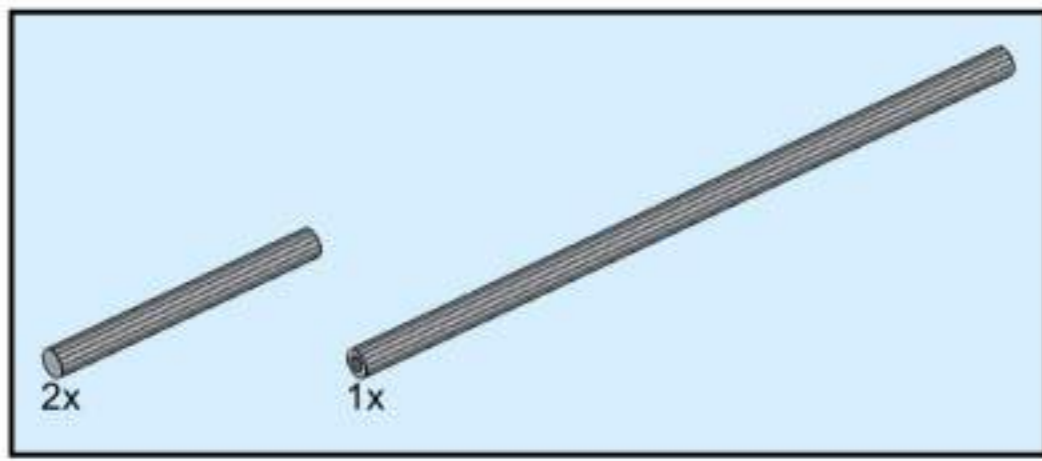
# 345



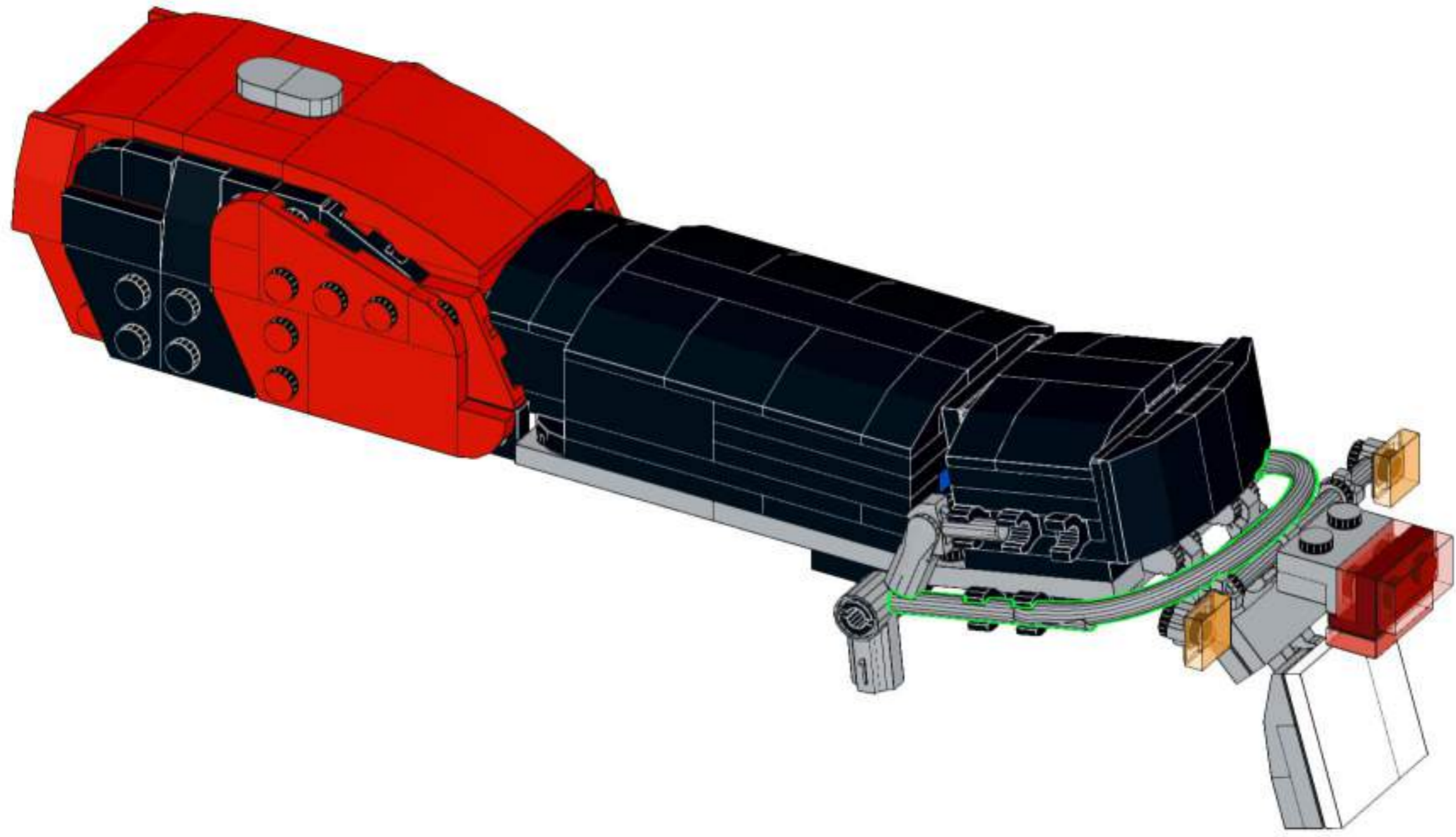
346



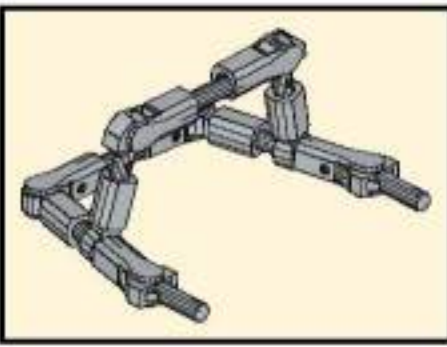
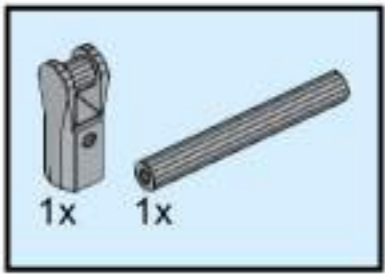
347



348

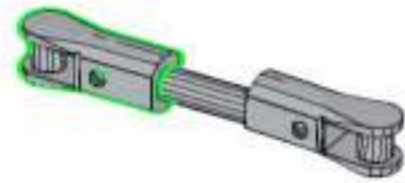


# 349

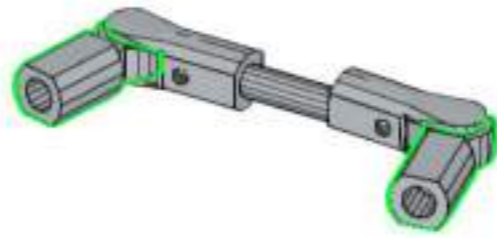




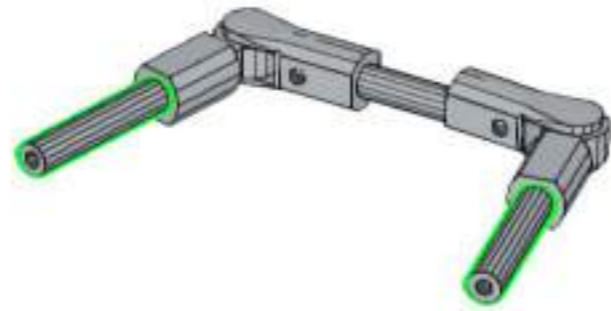
350



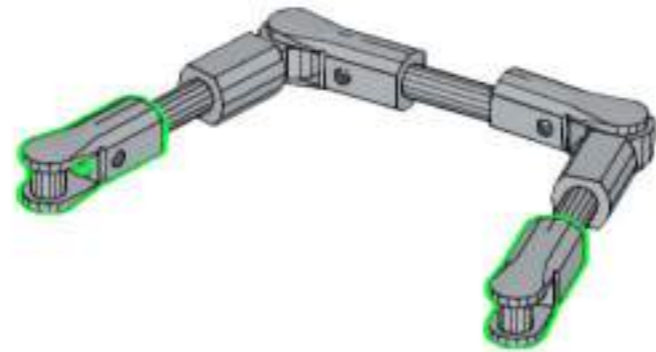
351



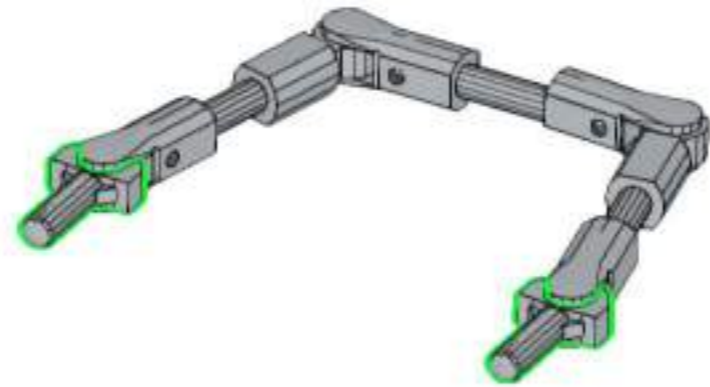
352



353

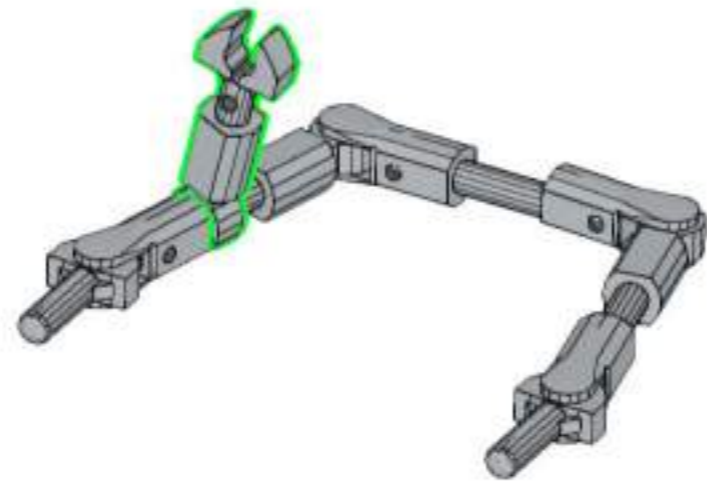


354

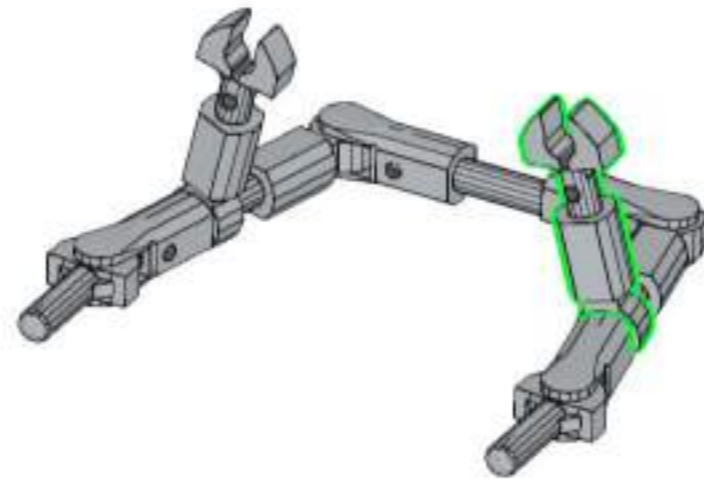




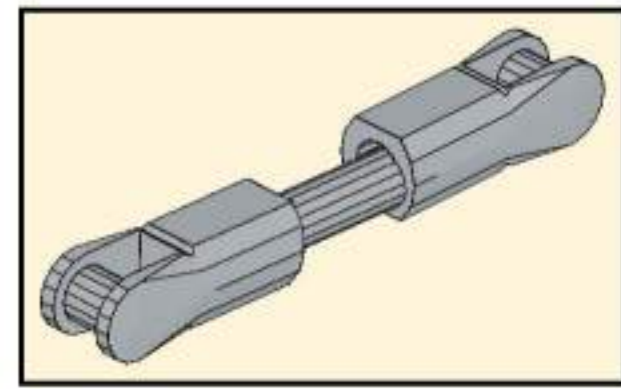
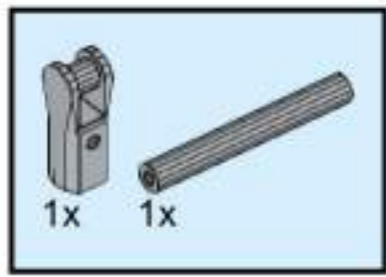
# 355



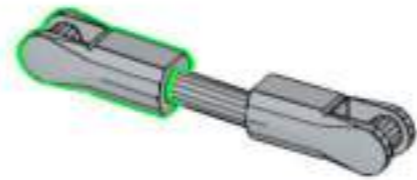
# 356



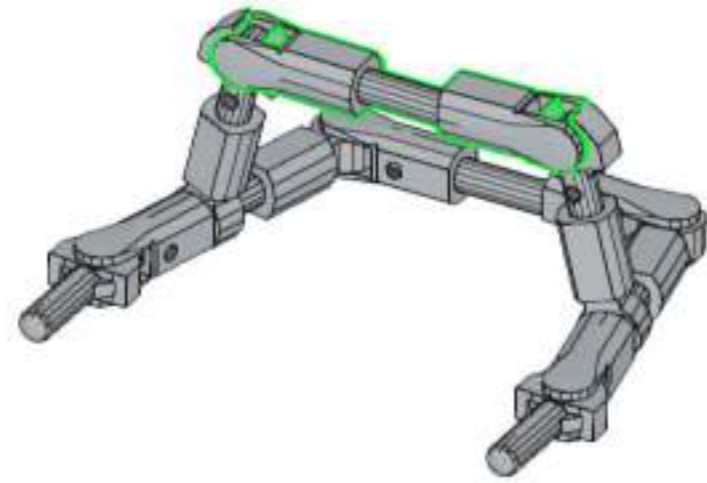
# 357



358

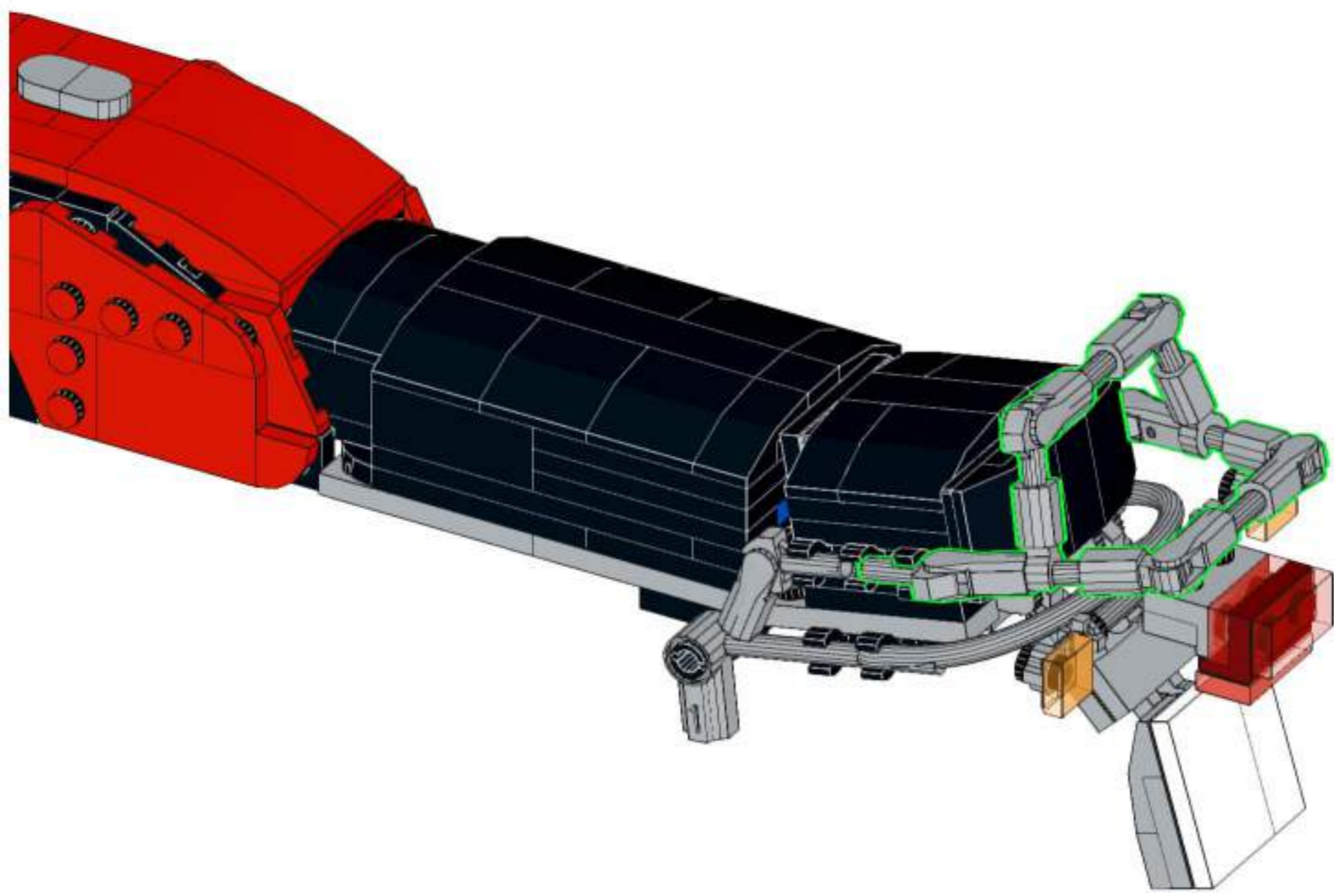


359

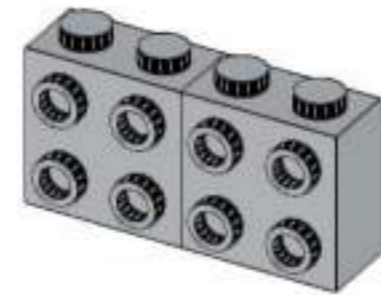
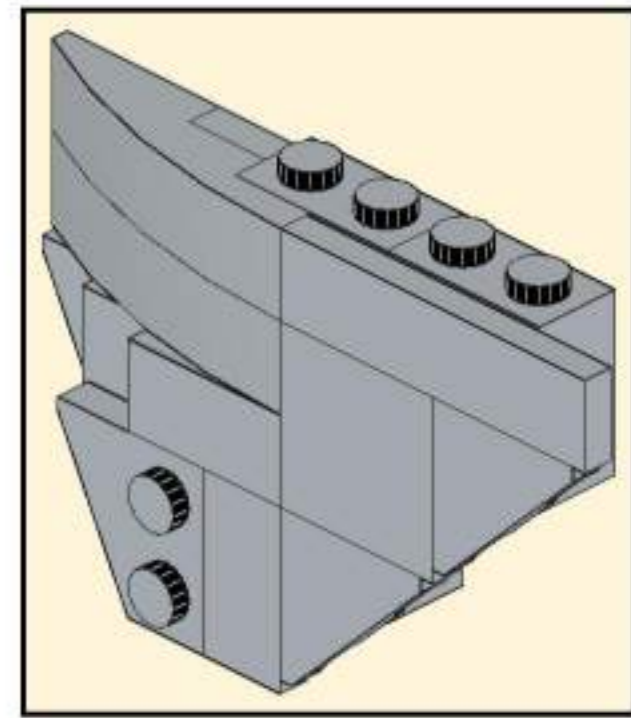
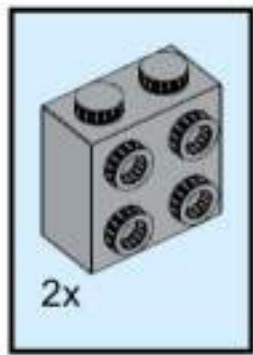




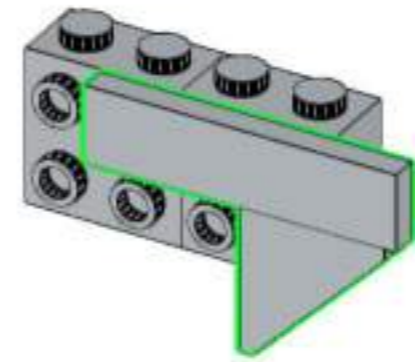
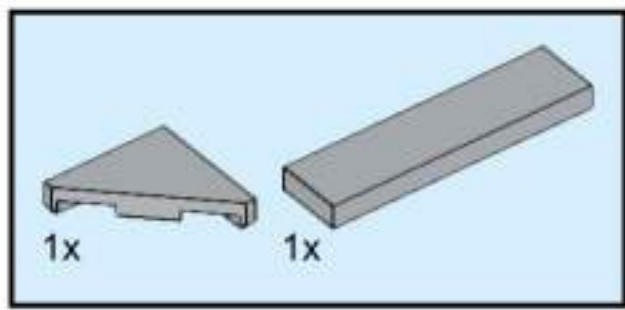
360



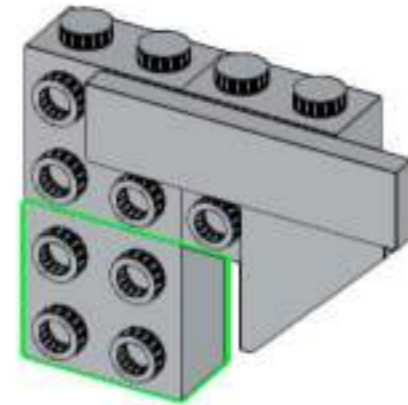
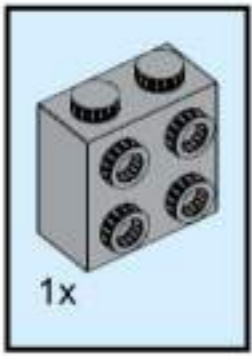
# 361



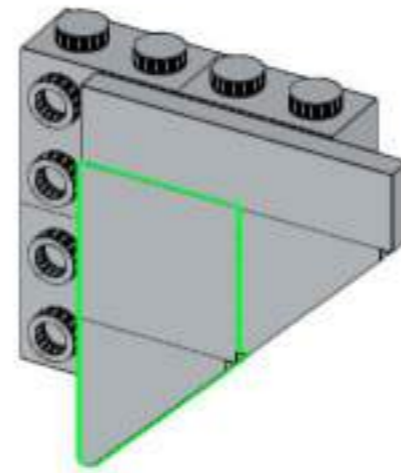
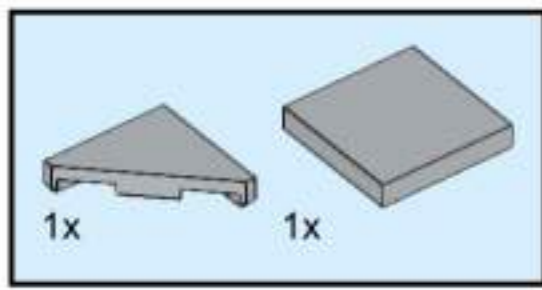
362



363

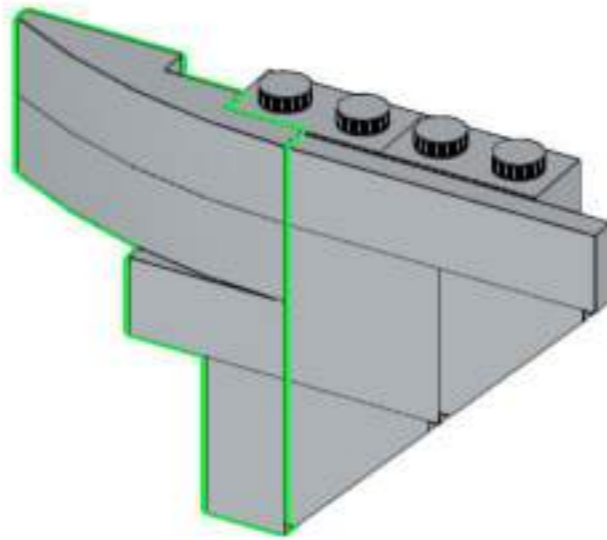
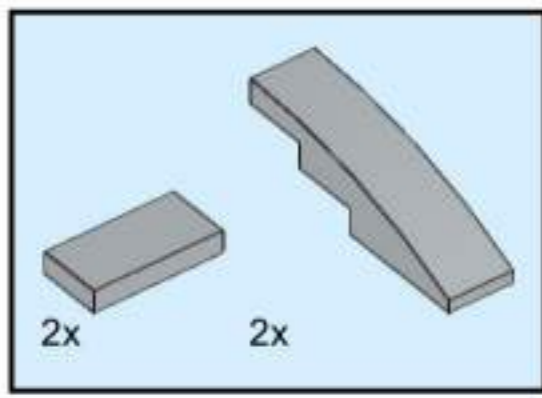


# 364

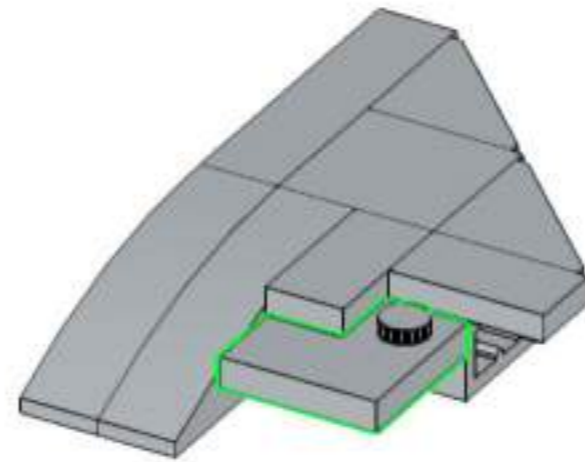
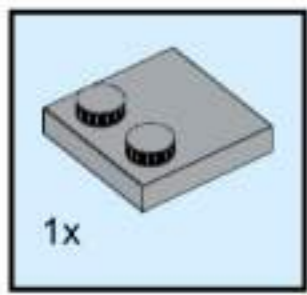




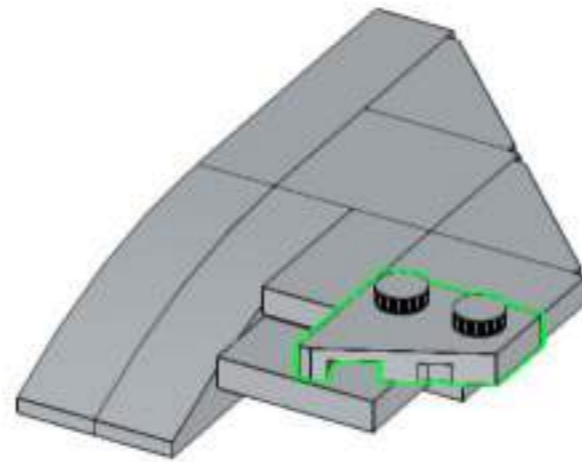
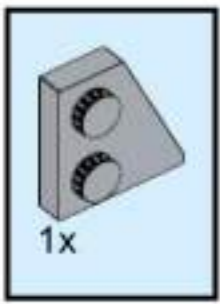
365



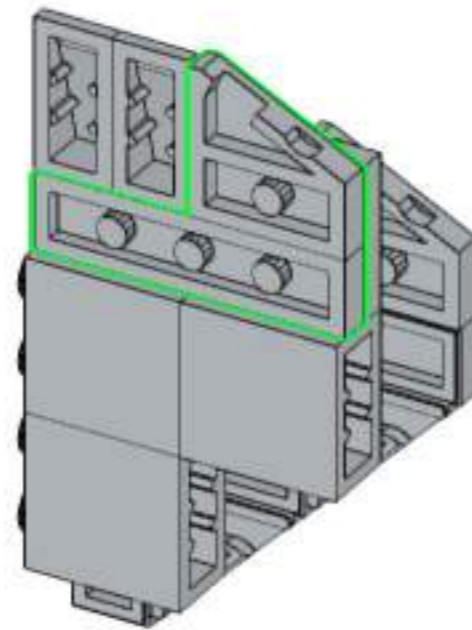
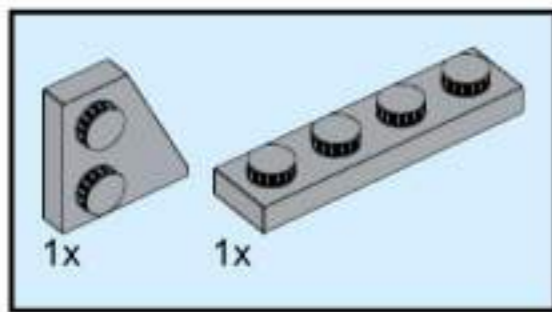
366



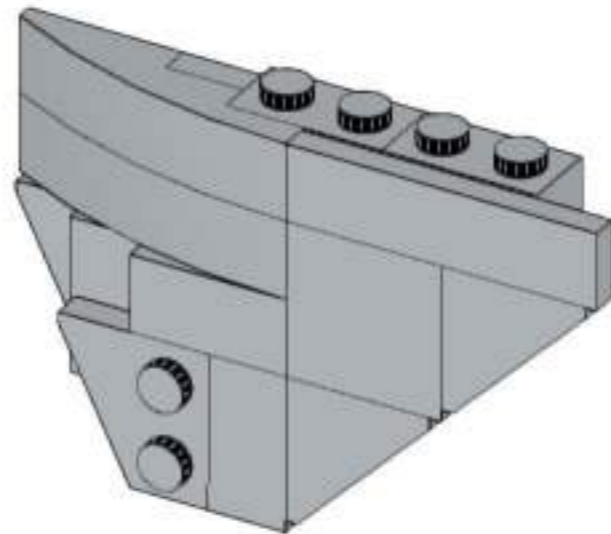
367



# 368

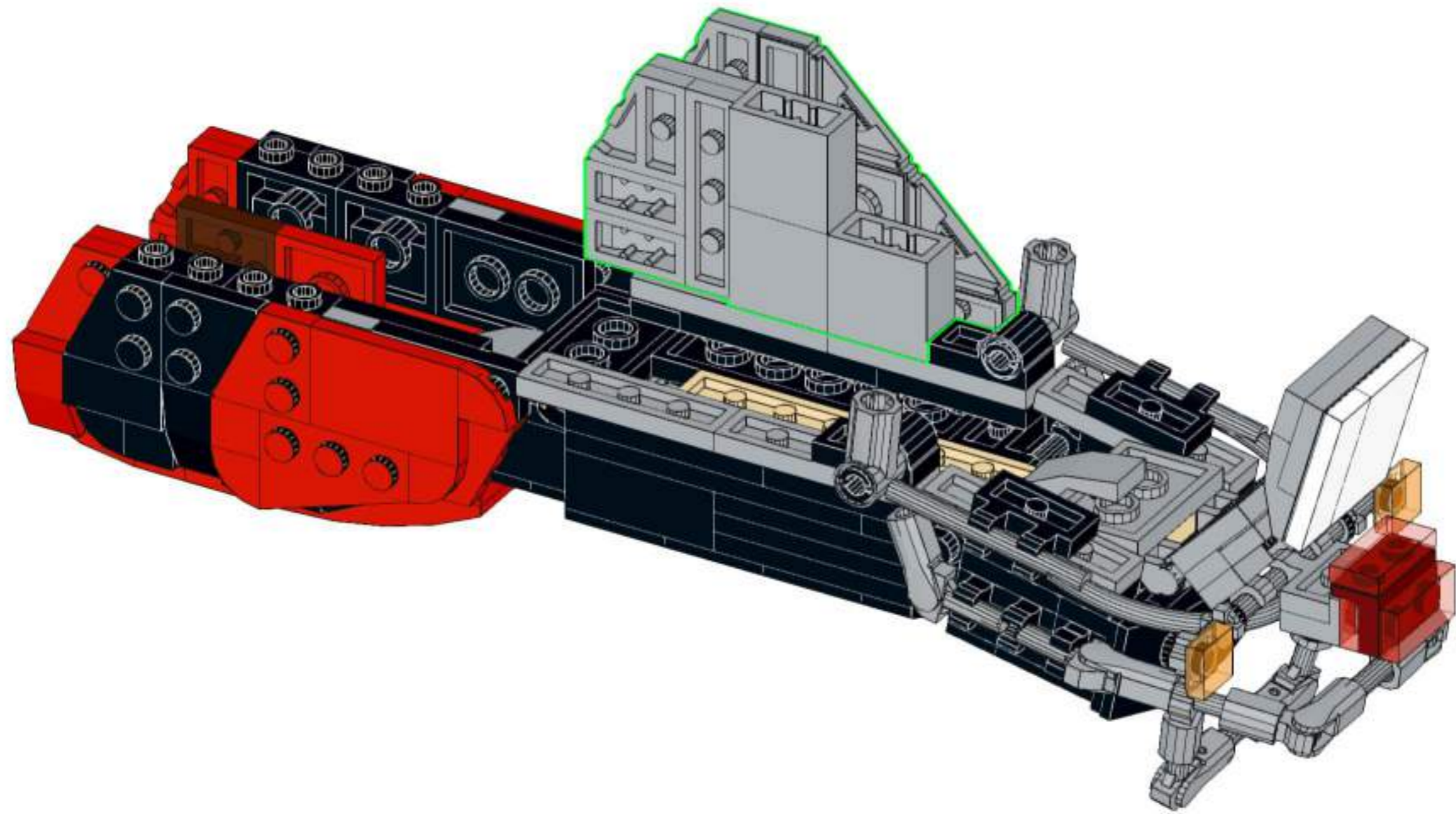


369

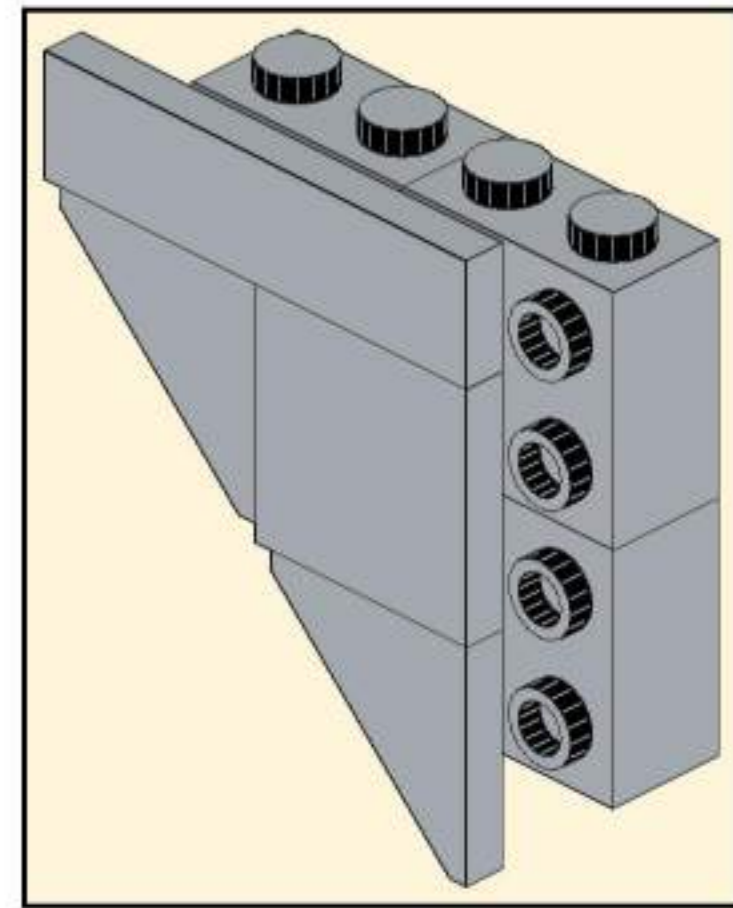
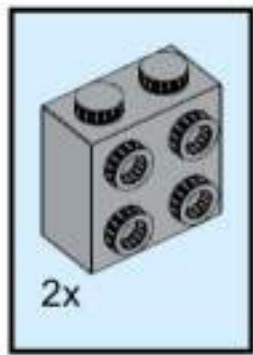




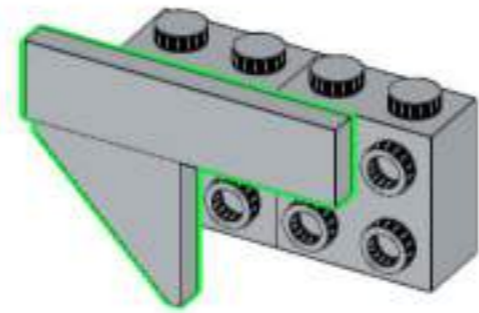
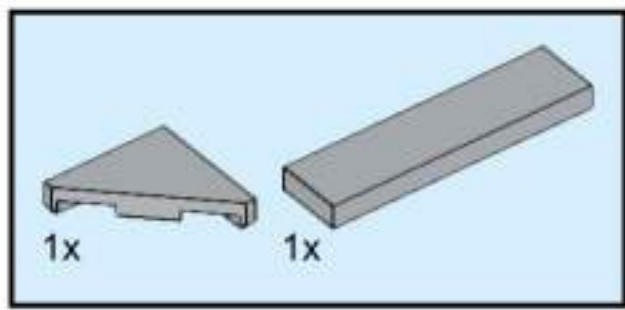
370



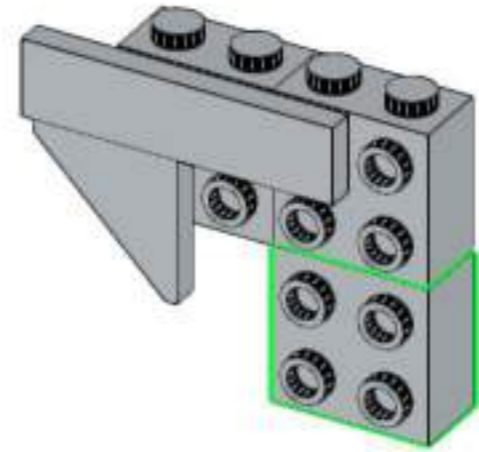
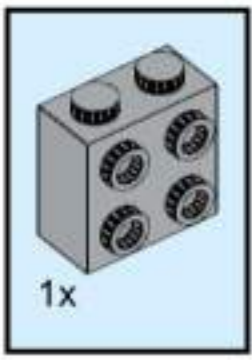
# 371



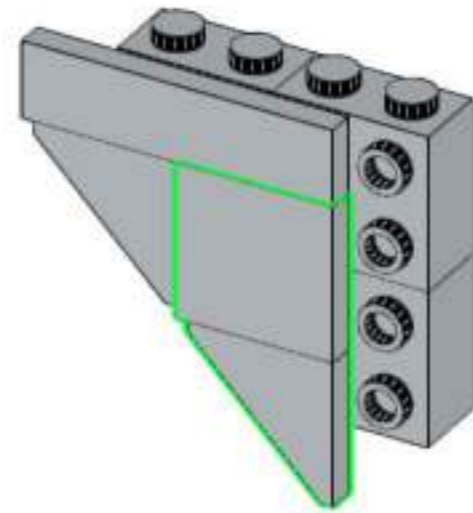
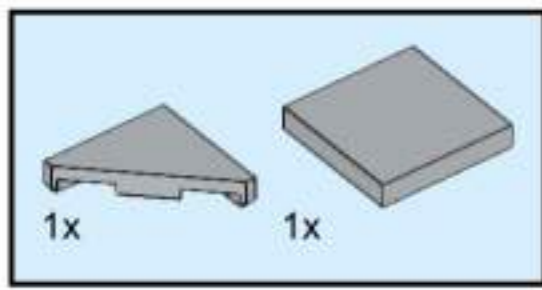
372



373

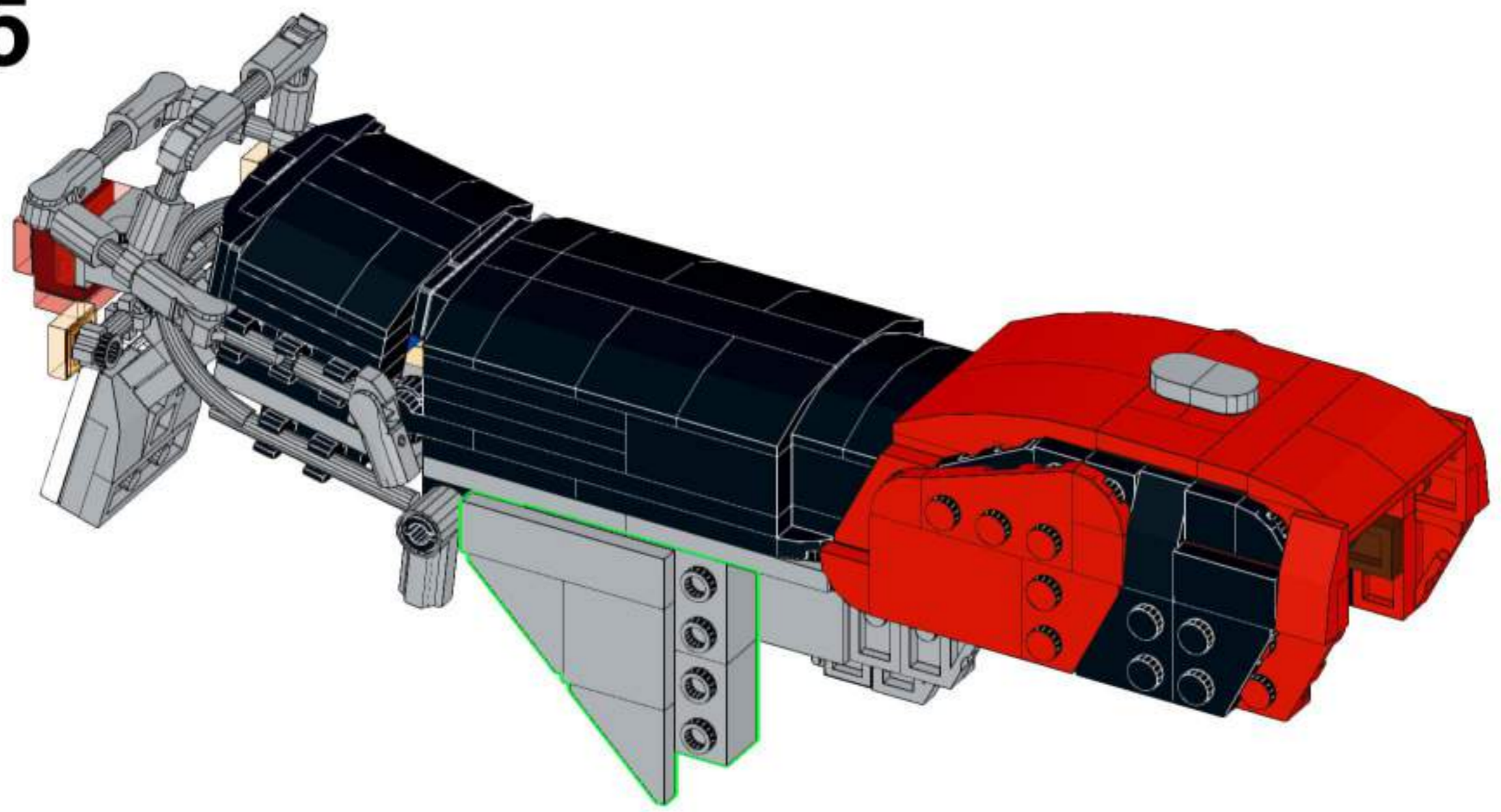


# 374

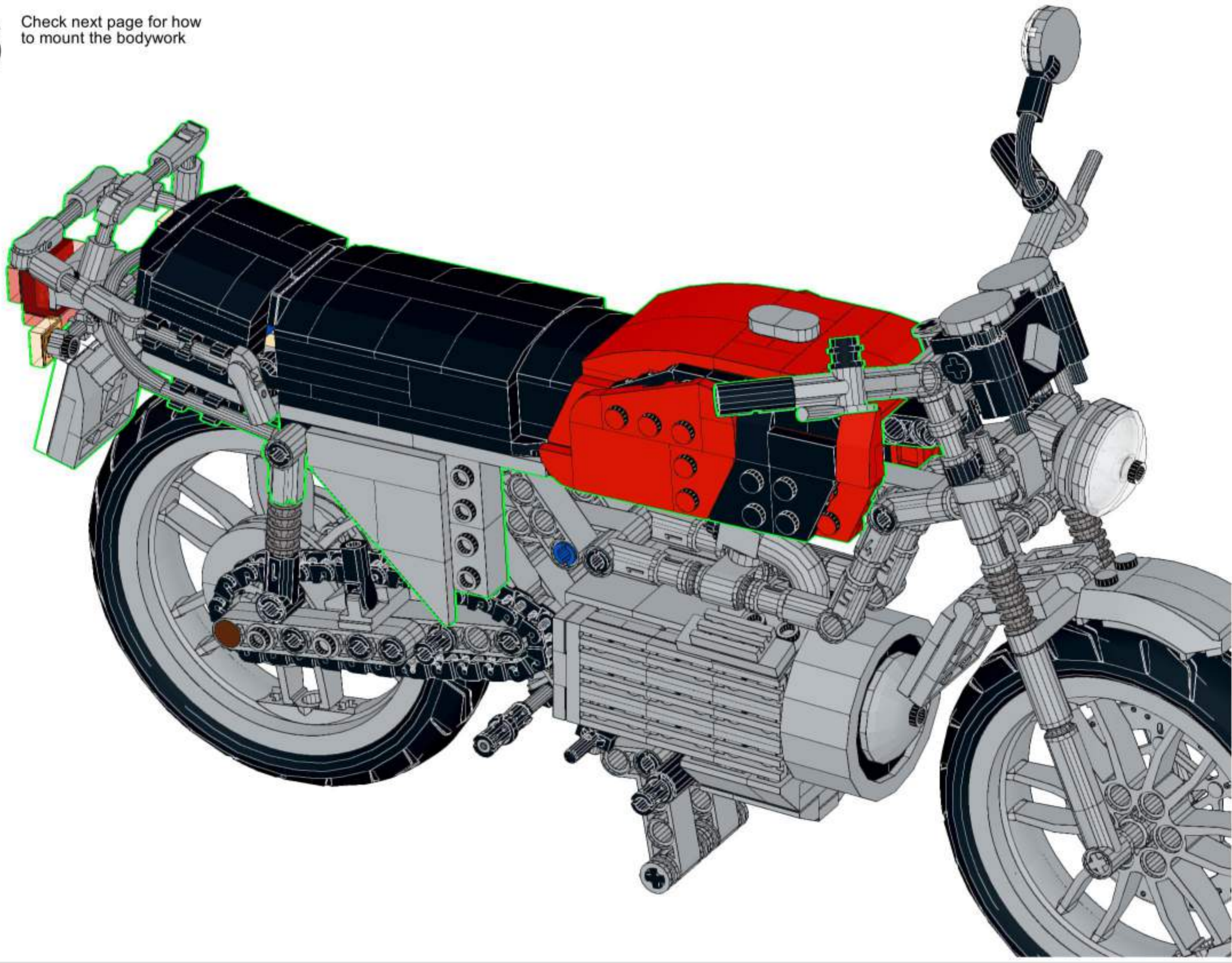




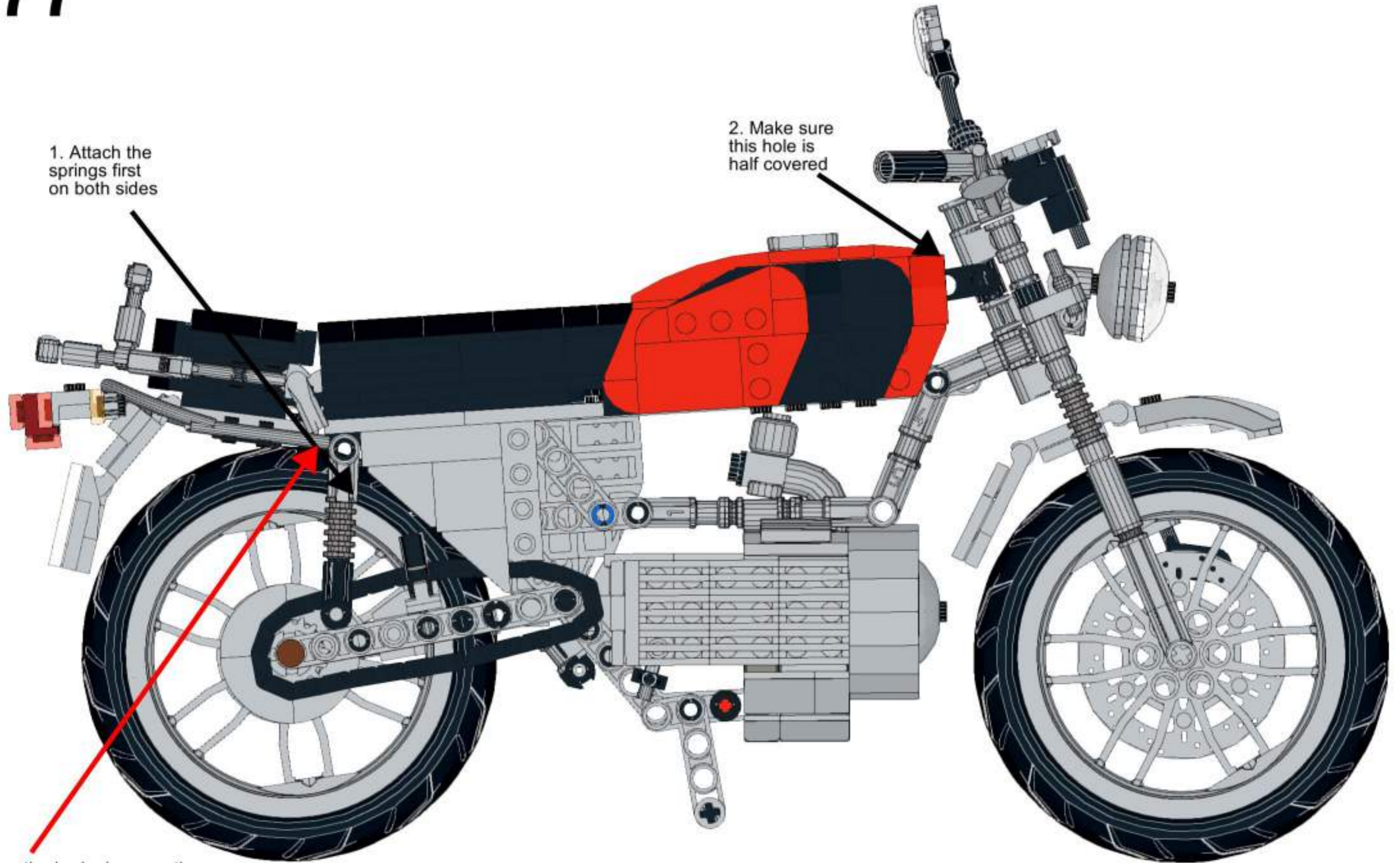
375









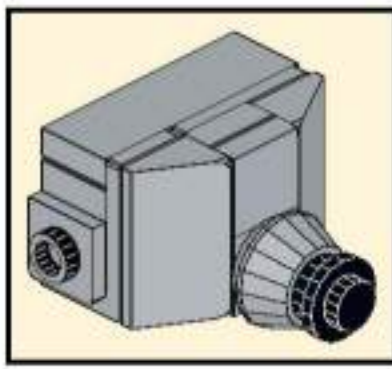
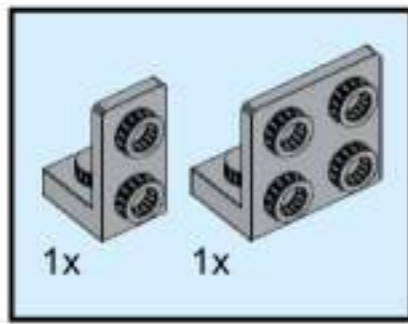


1. Attach the springs first on both sides

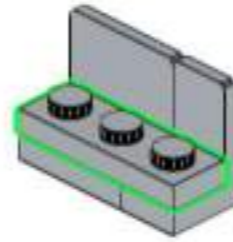
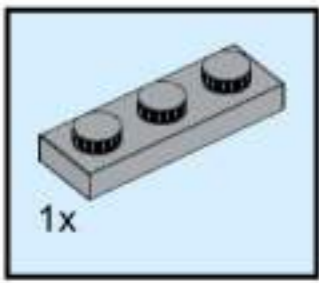
2. Make sure this hole is half covered

3. Press the body down on the brown pieces under the seat by placing a finger under the frame here and pushing carefully

378

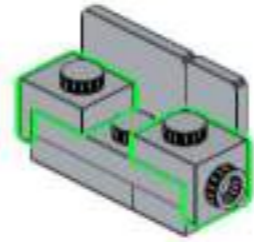


379

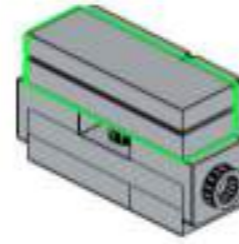
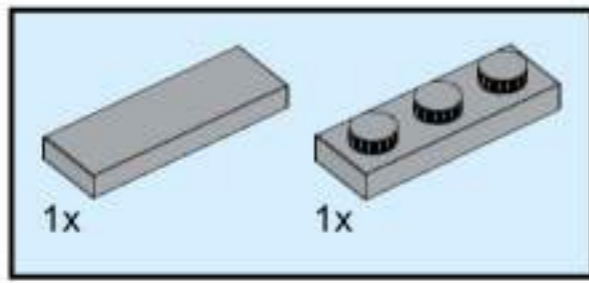




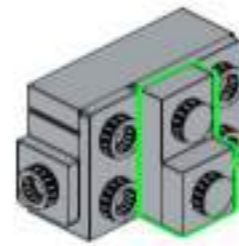
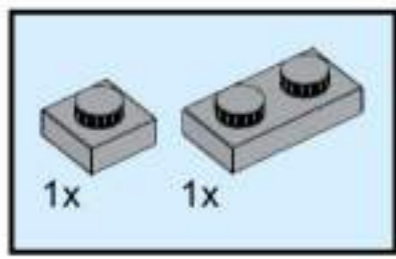
380



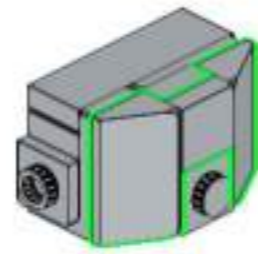
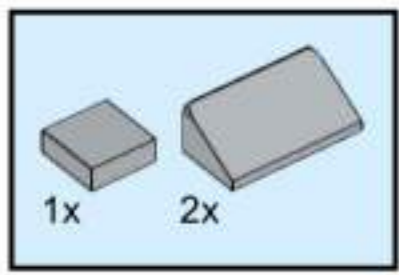
# 381



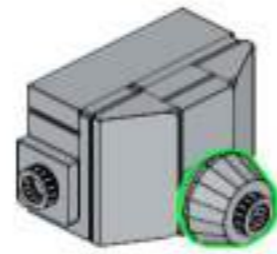
382



383

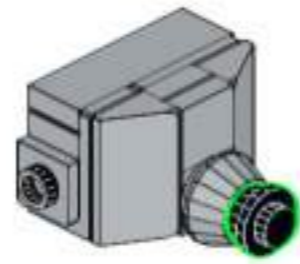


384

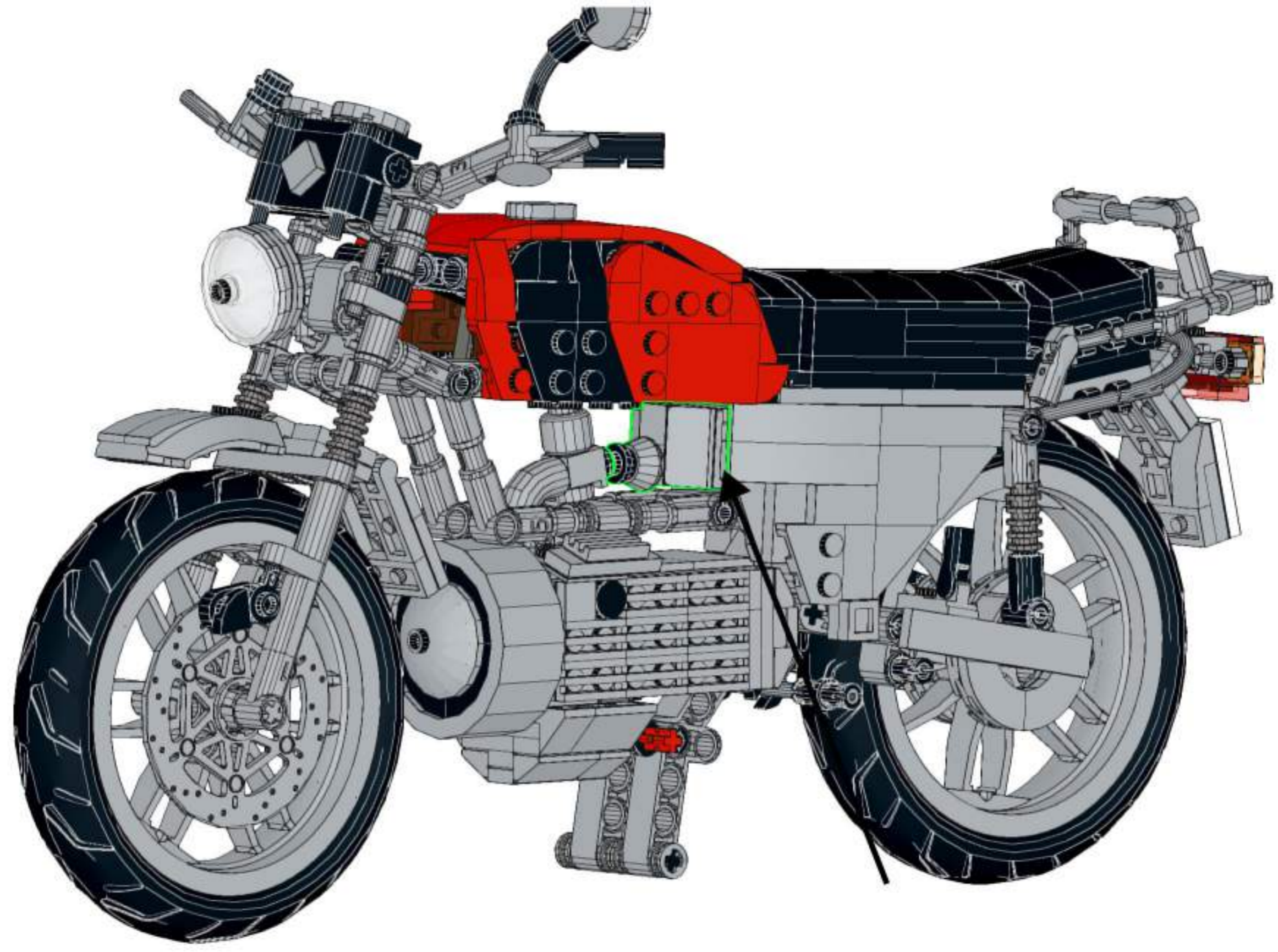




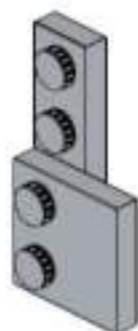
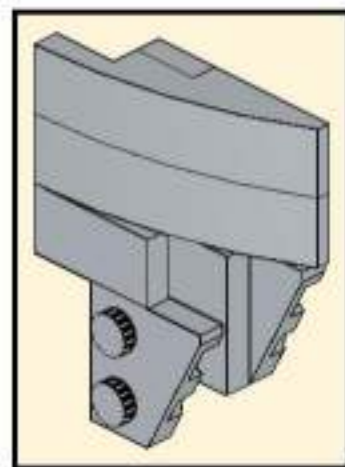
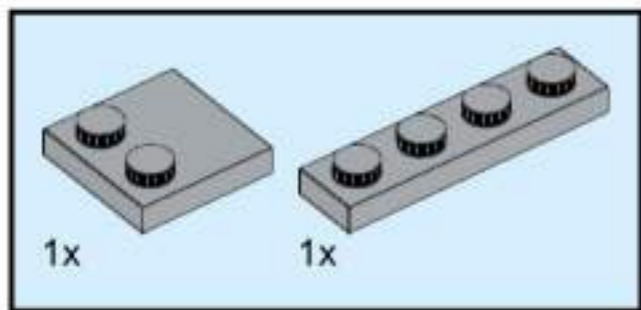
385



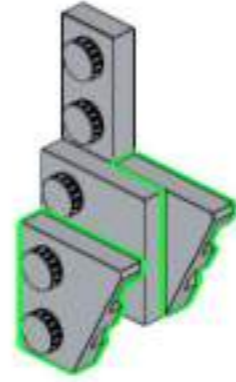
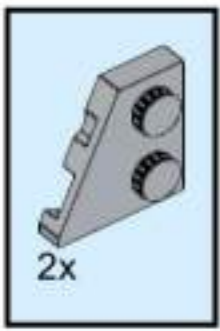
386



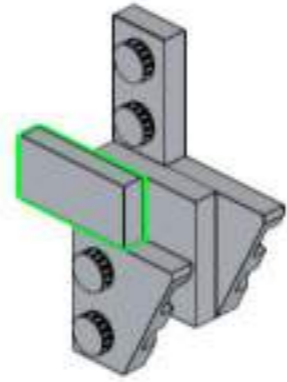
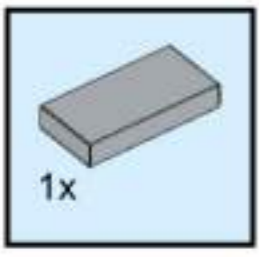
# 387



388

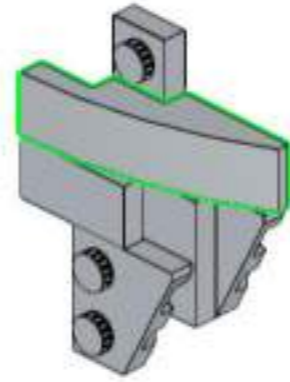
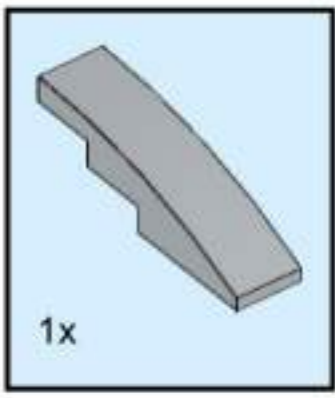


389

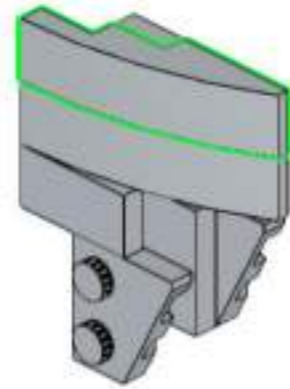
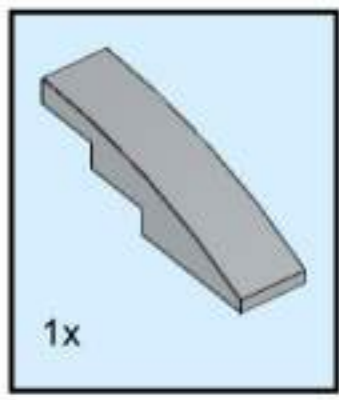


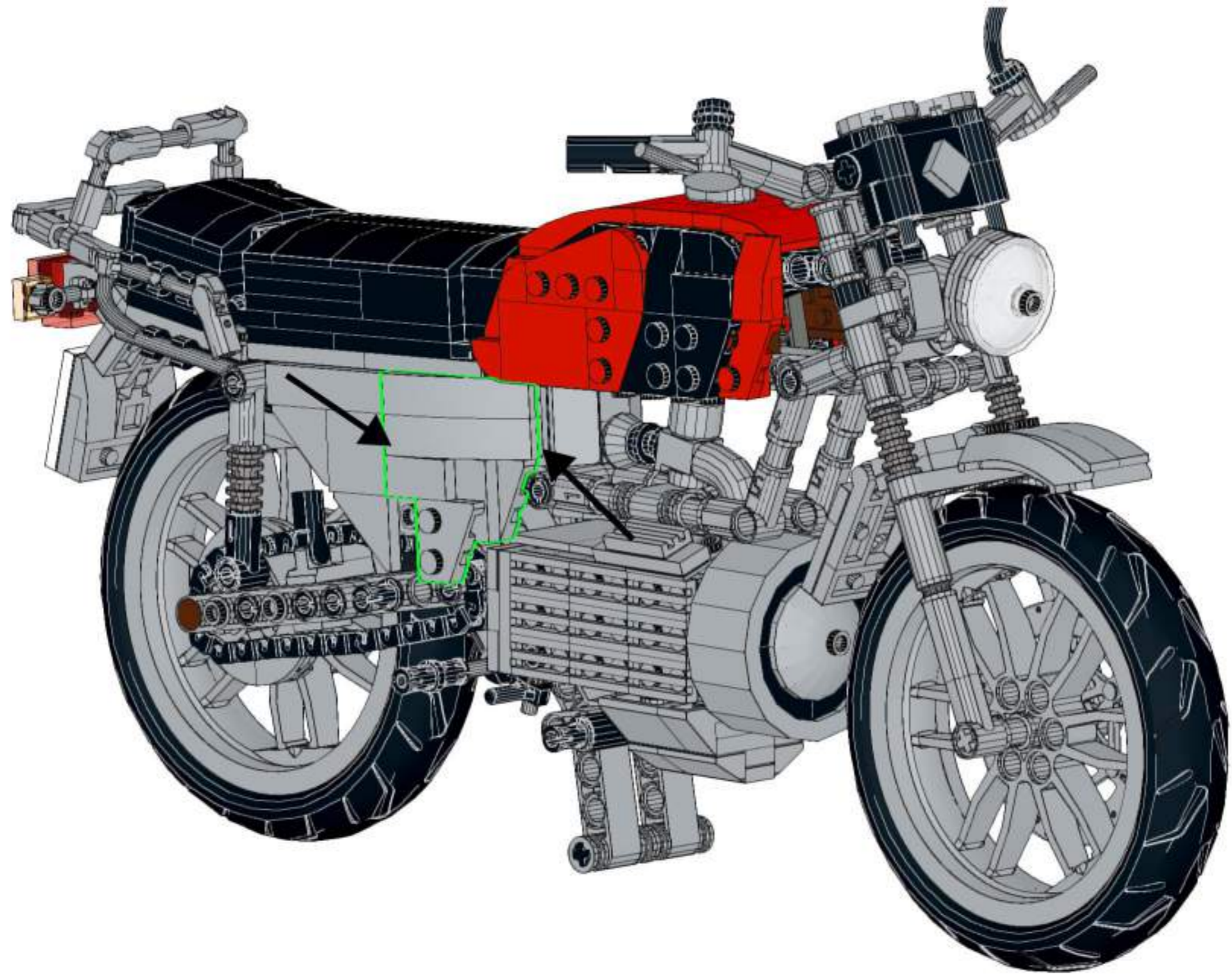


390



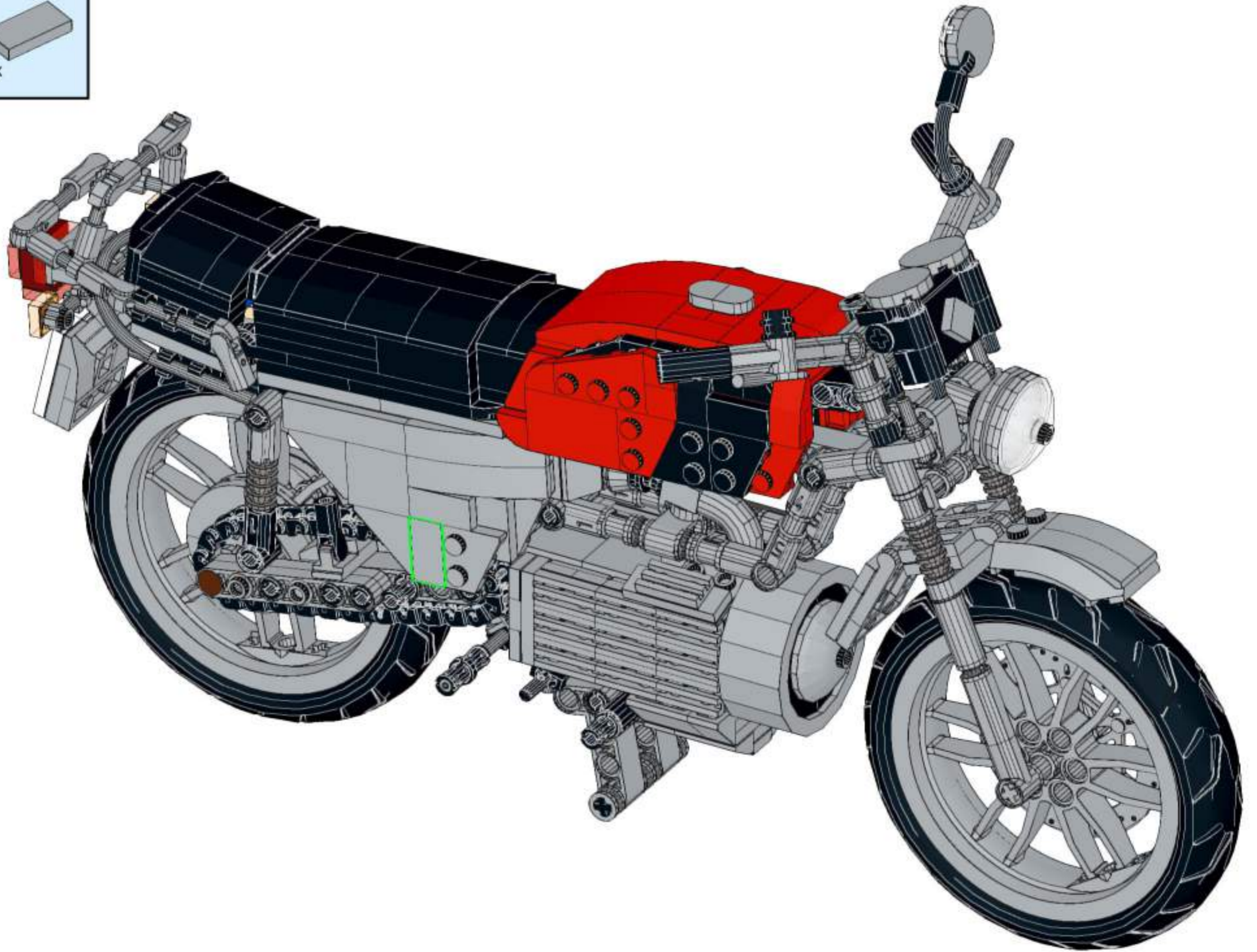
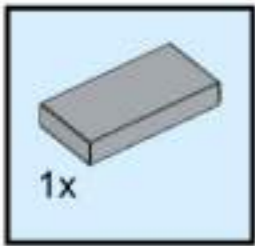
391





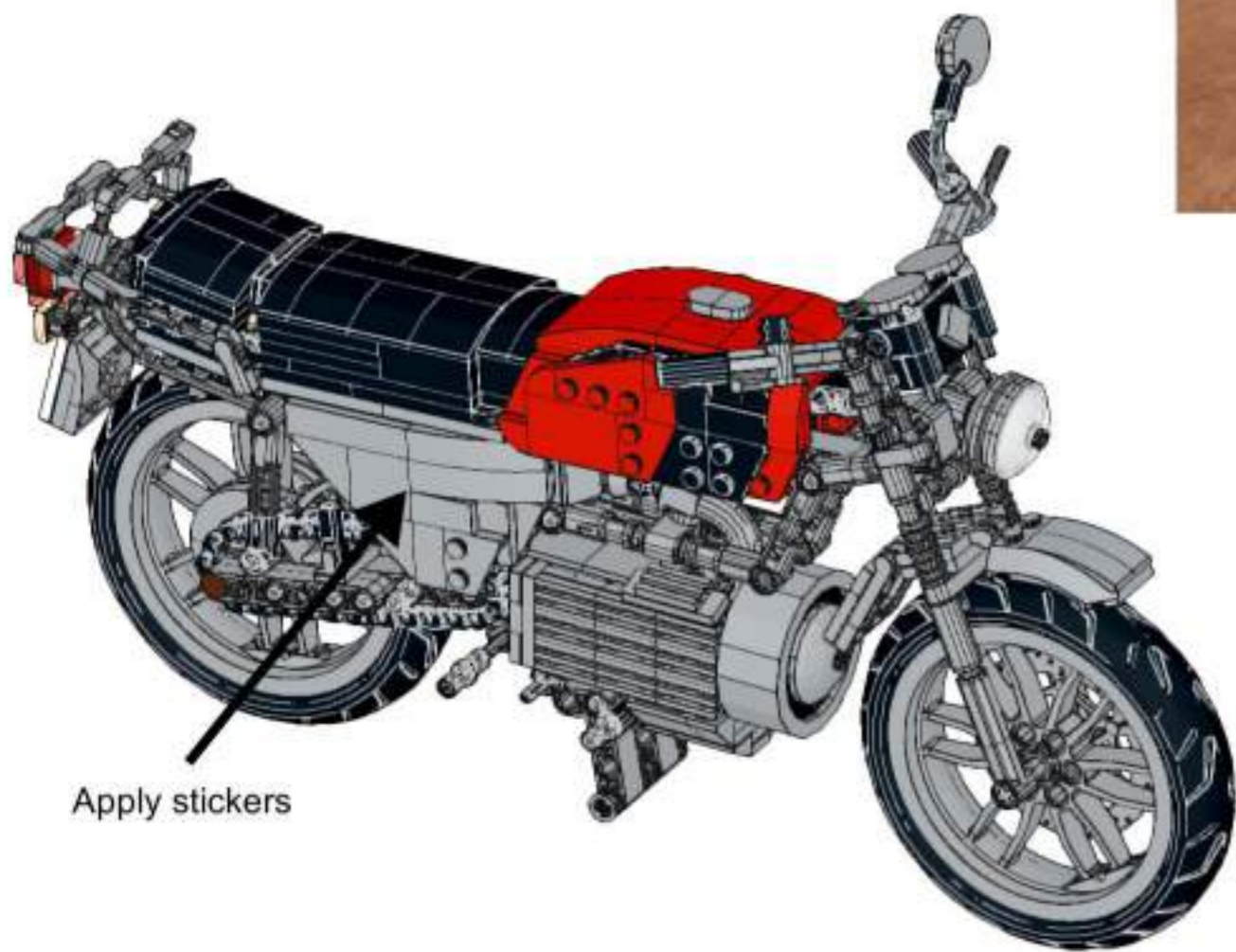
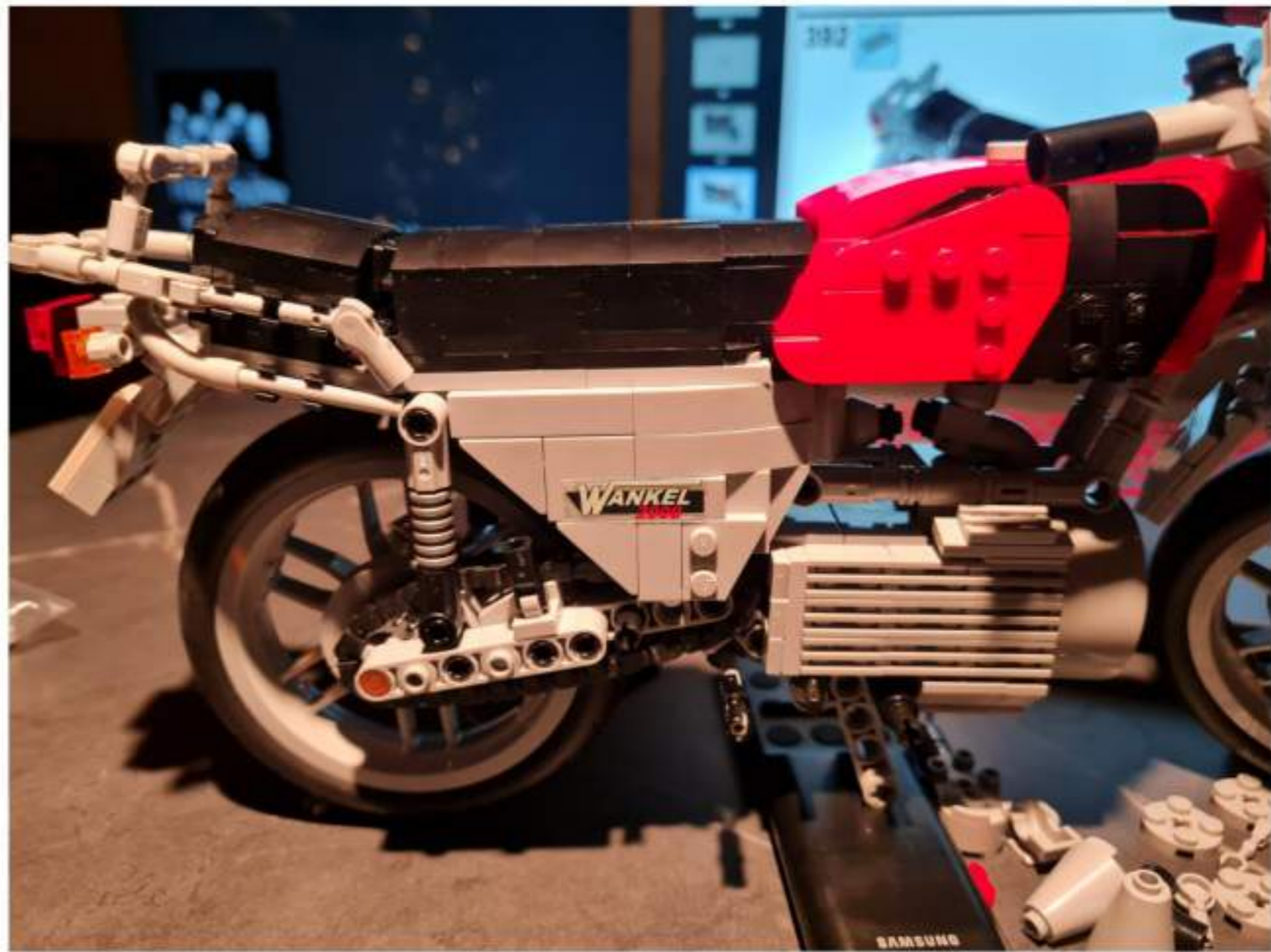


393





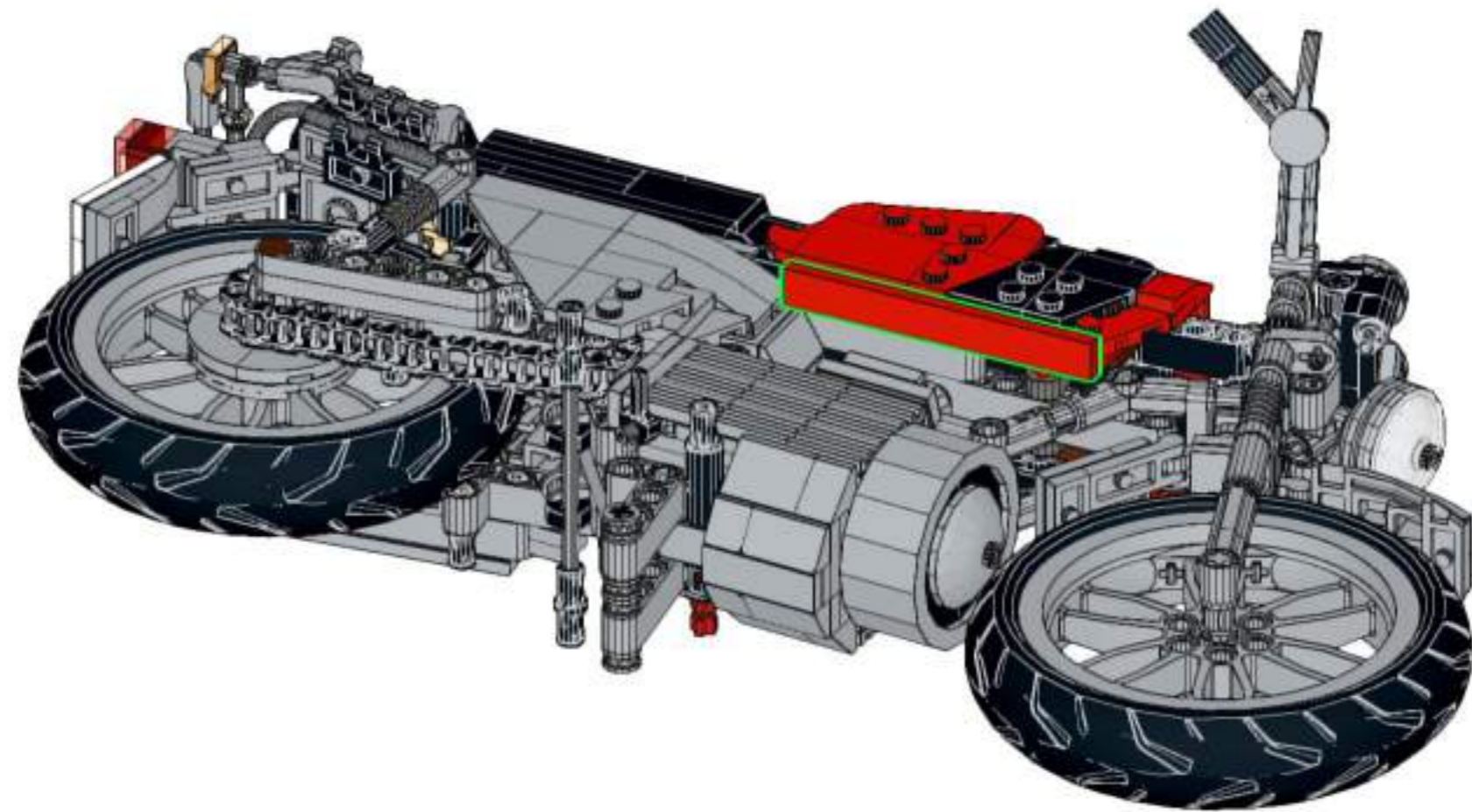
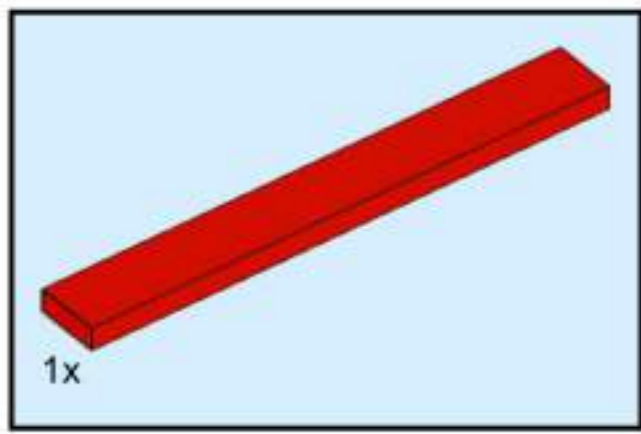
# 394



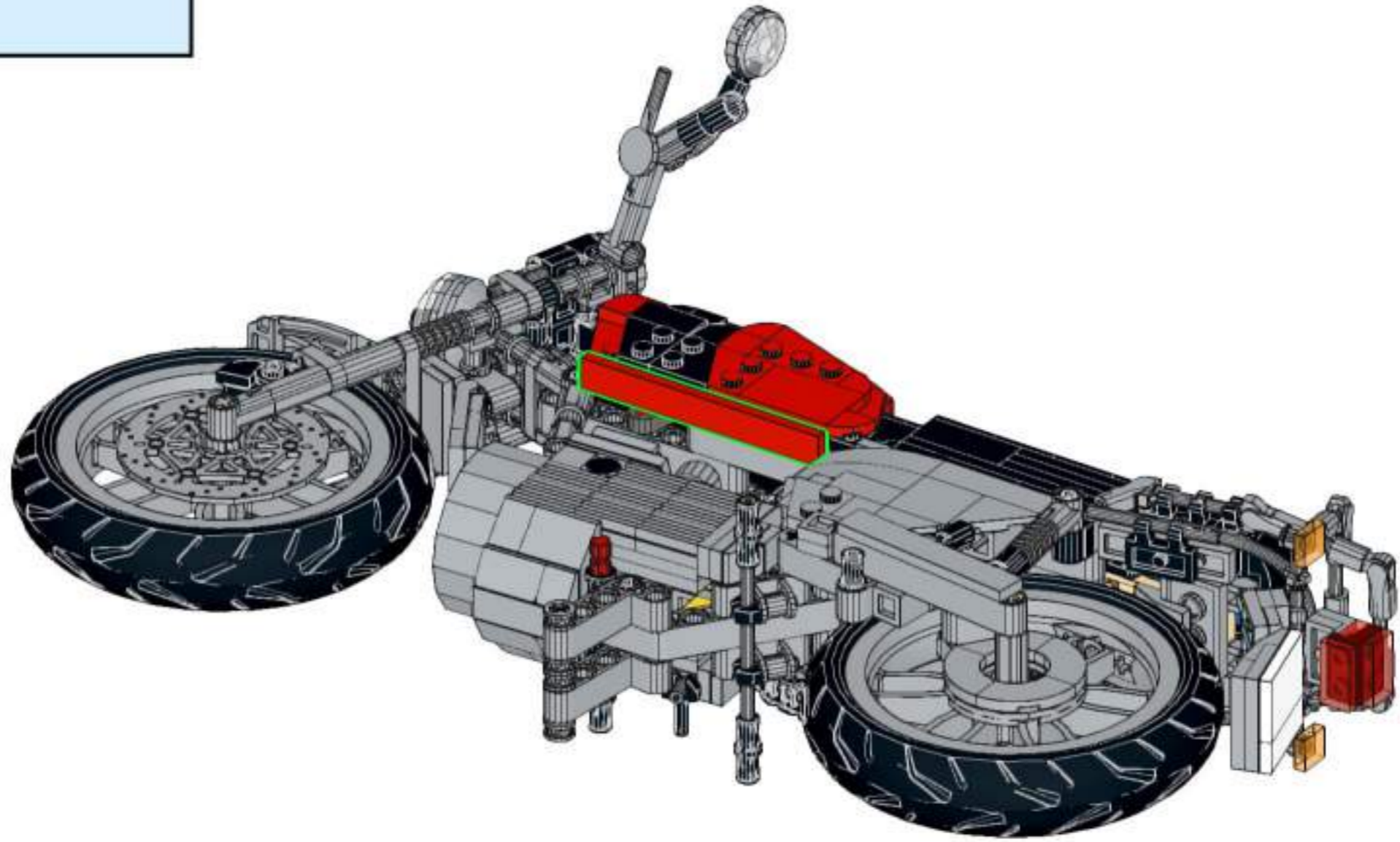
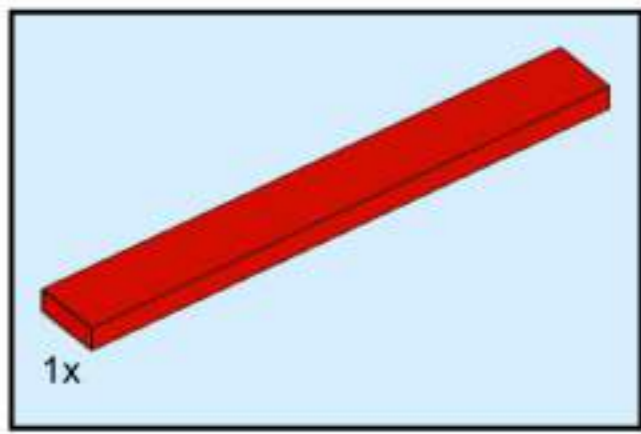
Apply stickers



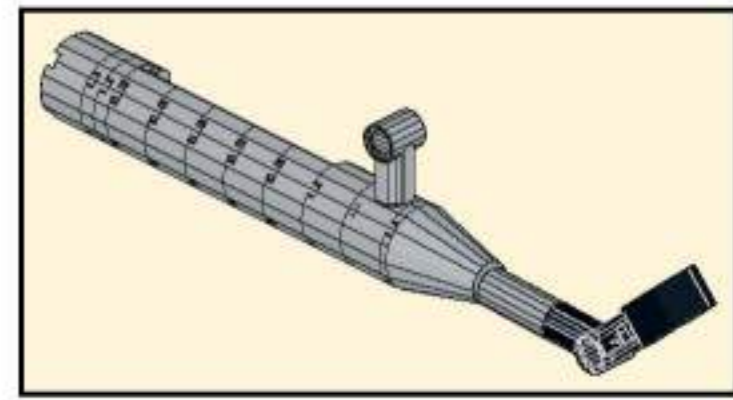
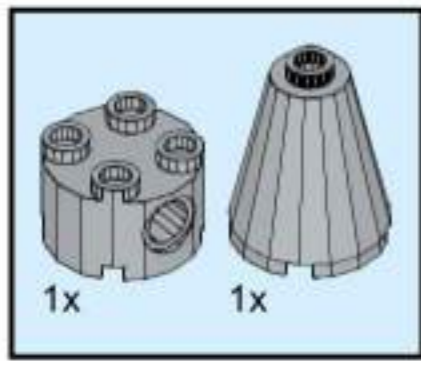
395



396



397



398

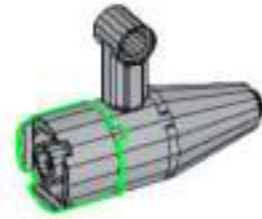
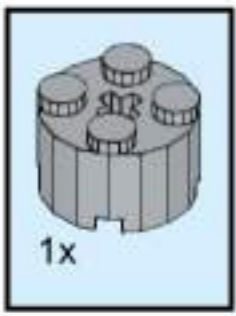


399

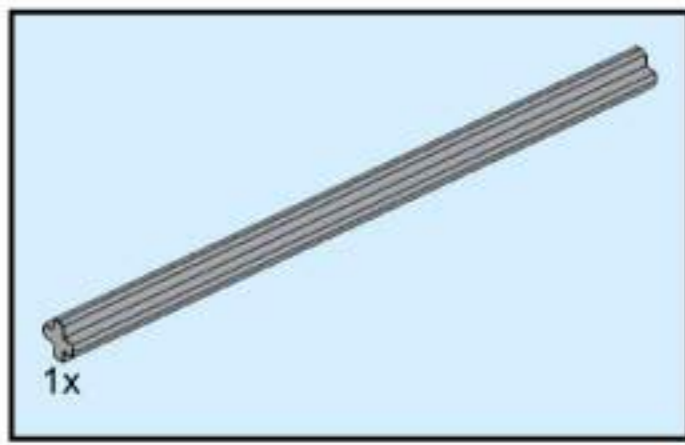




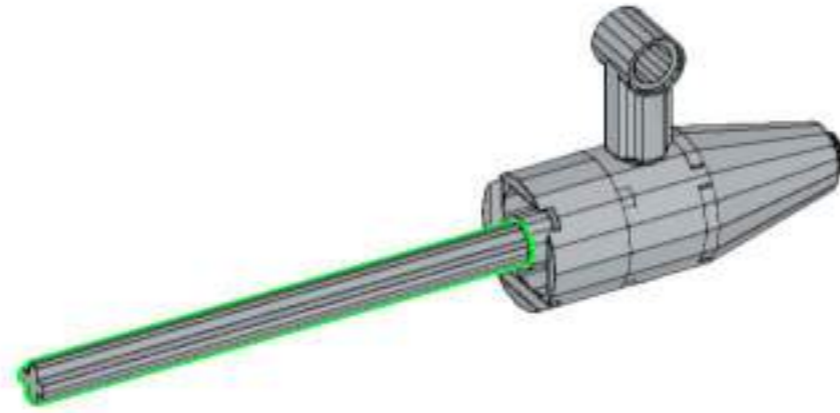
400



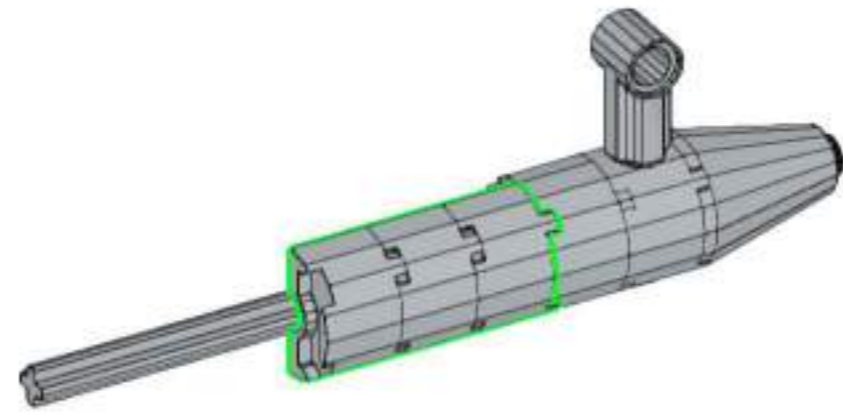
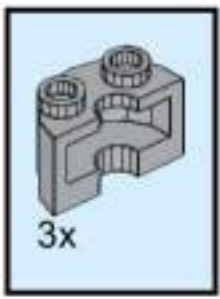
# 401



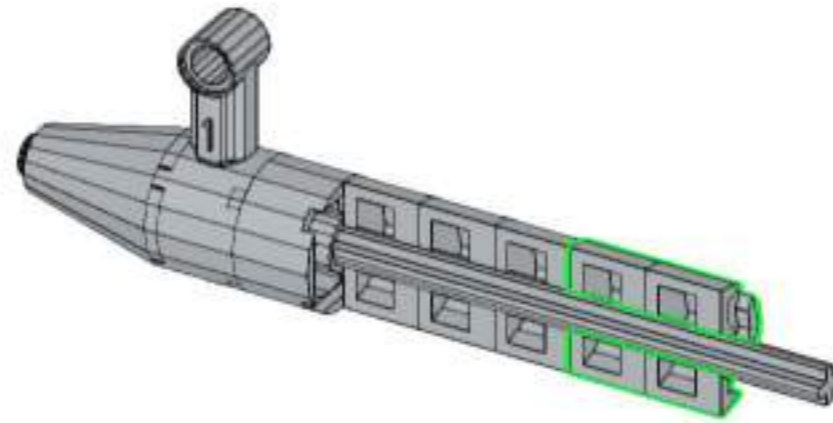
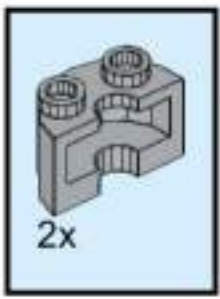
72 mm ca



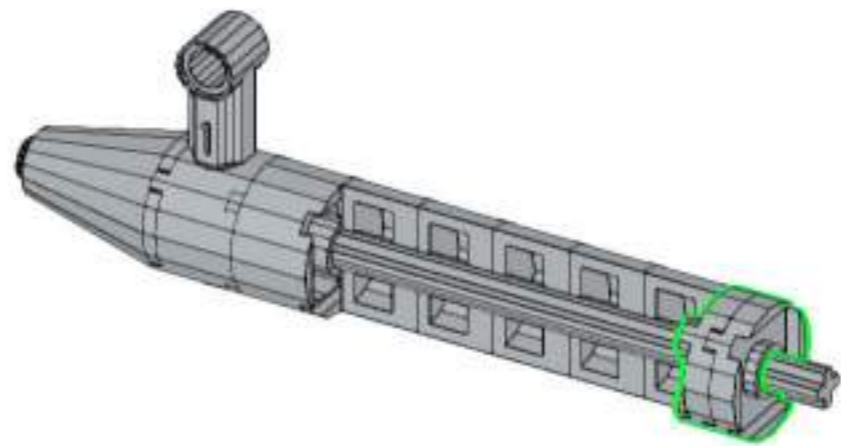
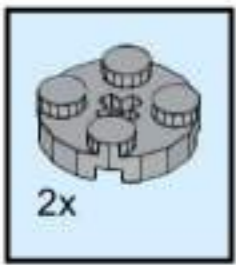
402



# 403

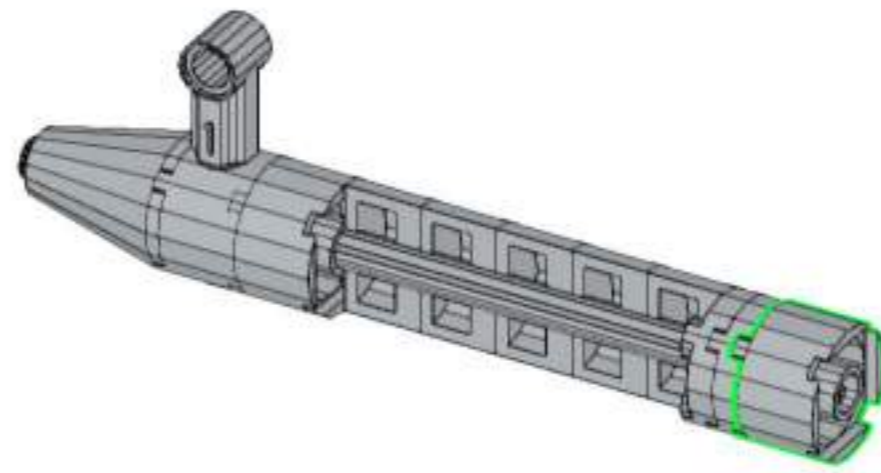
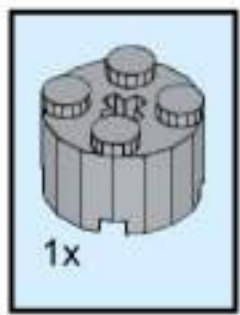


404

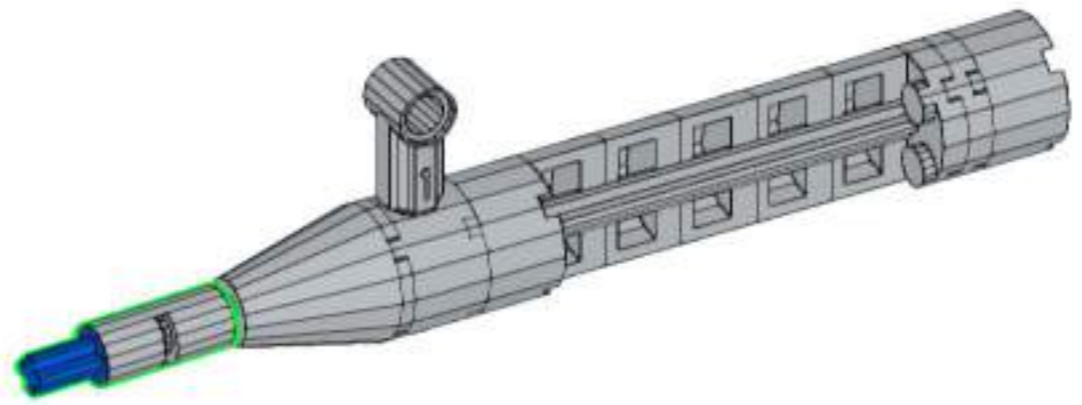
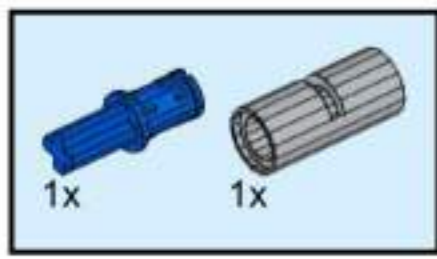




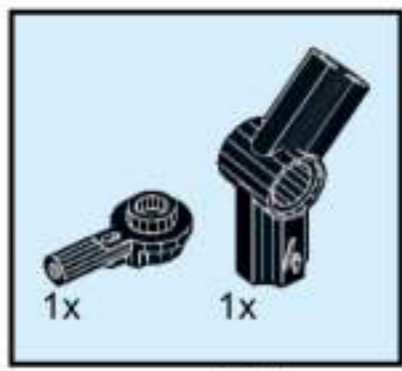
# 405



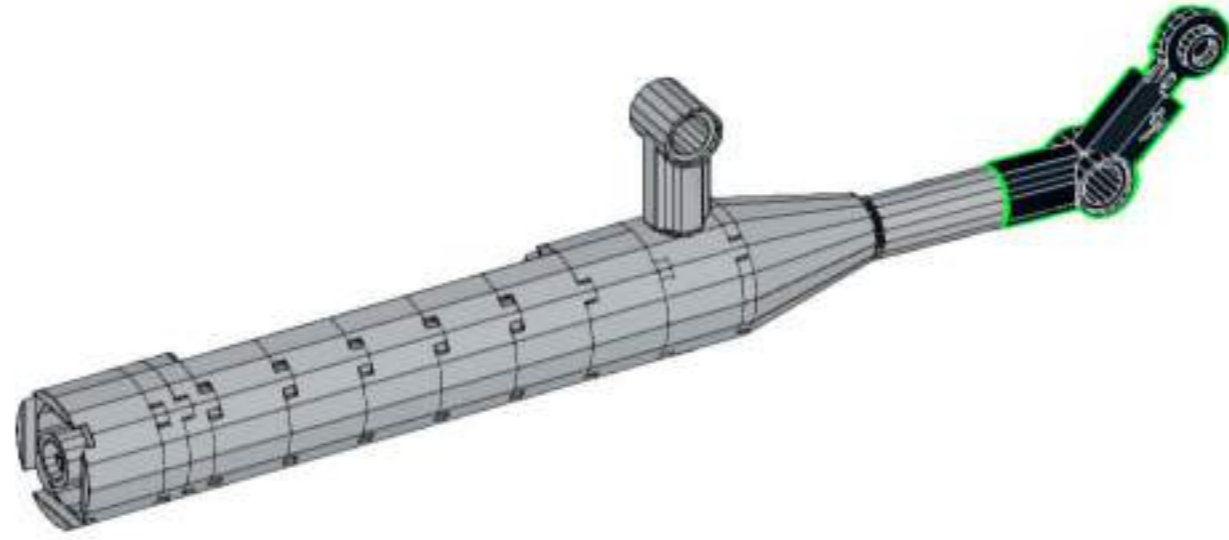
# 406



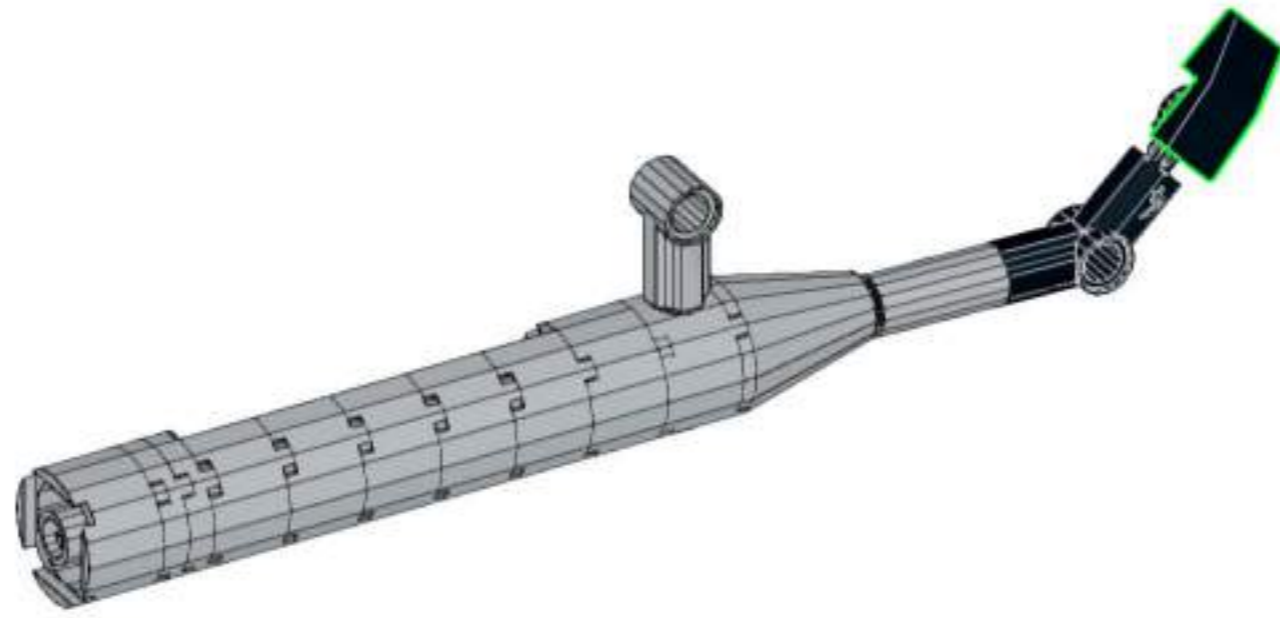
# 407



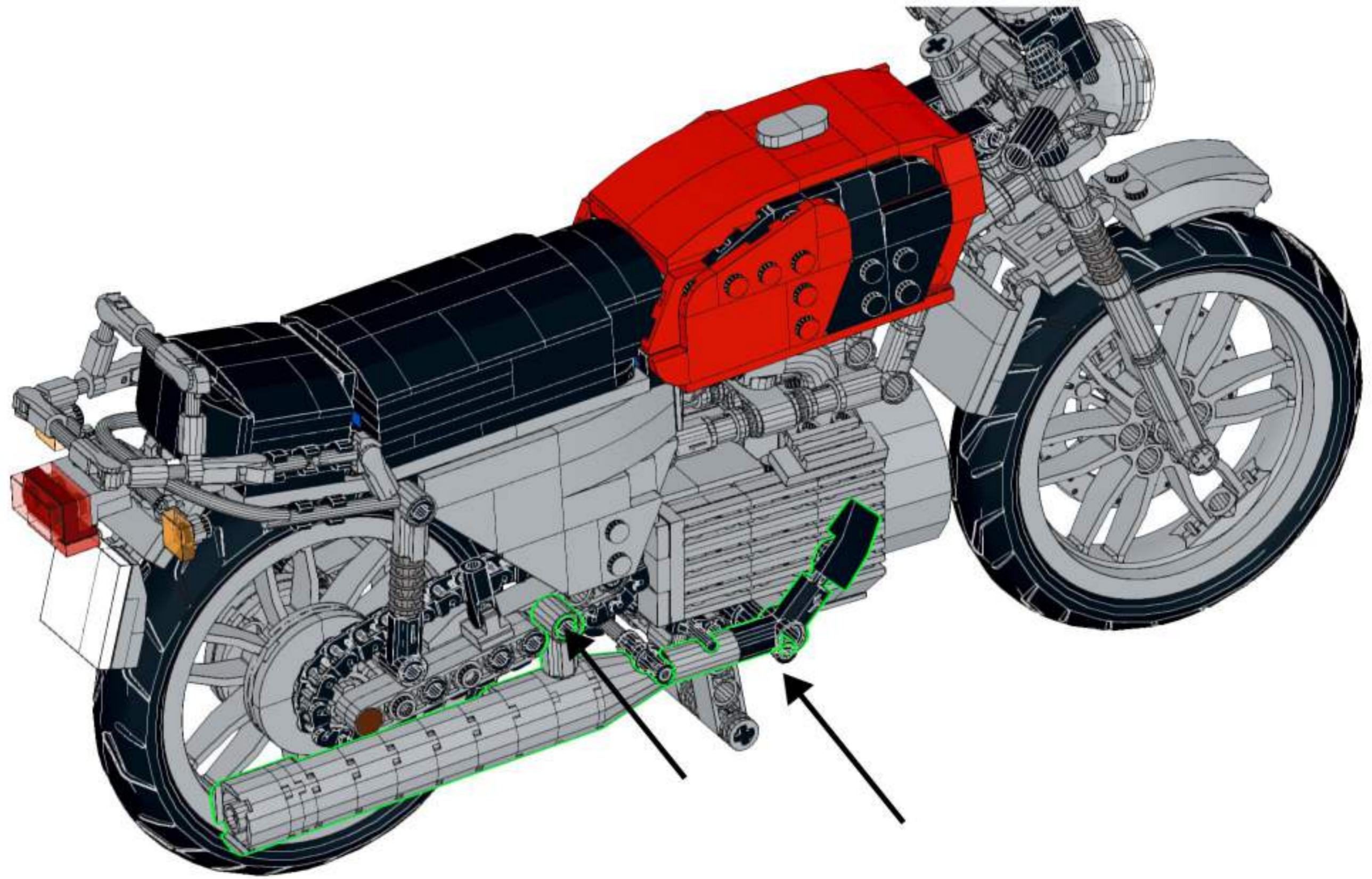
NR 4  
(check number on piece)



408

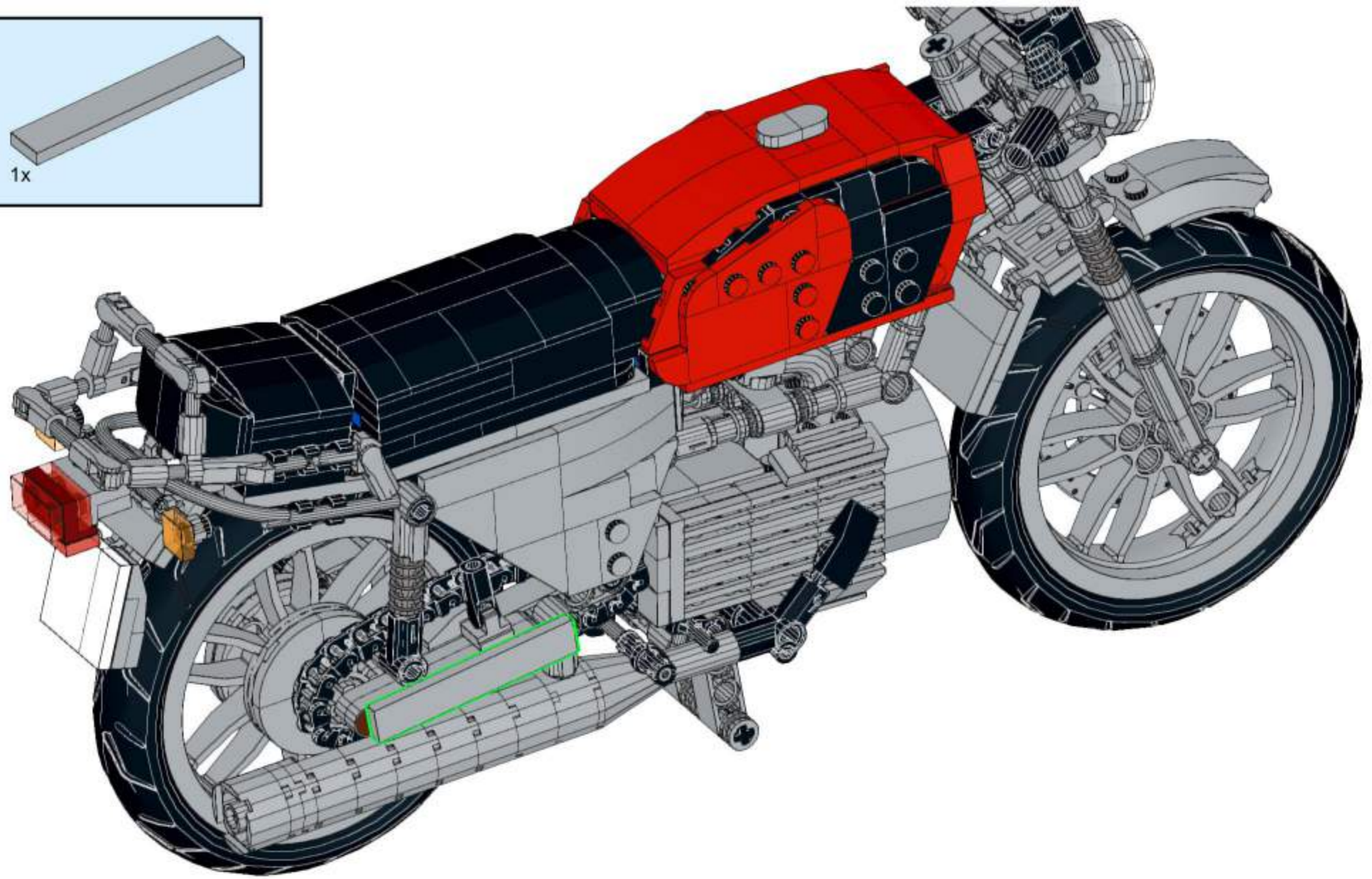
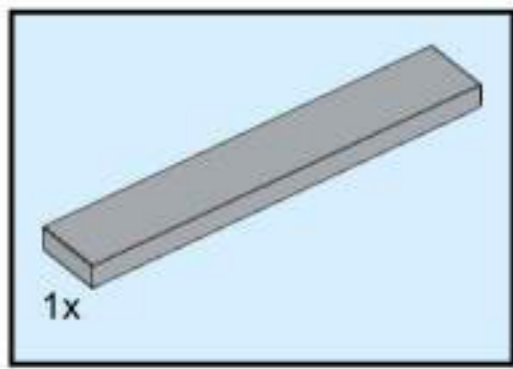




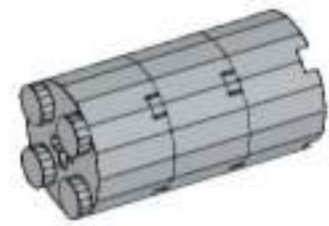
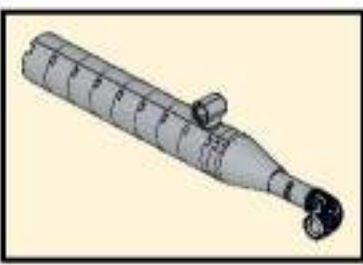
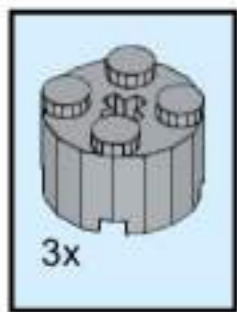




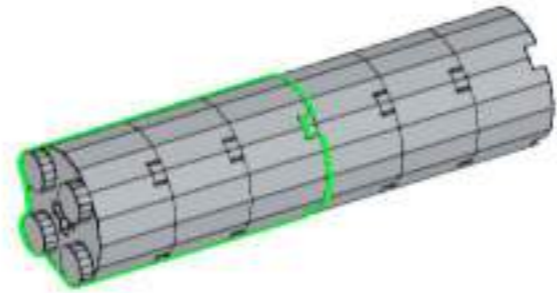
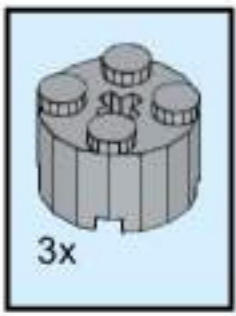
# 410



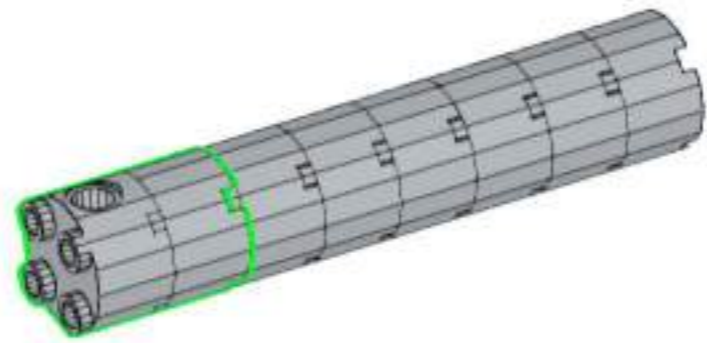
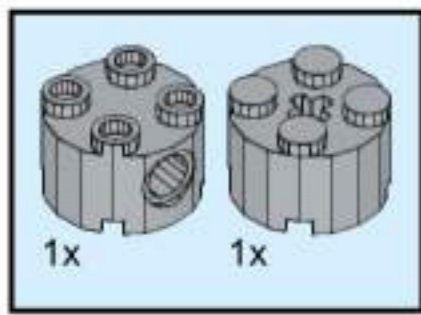
411



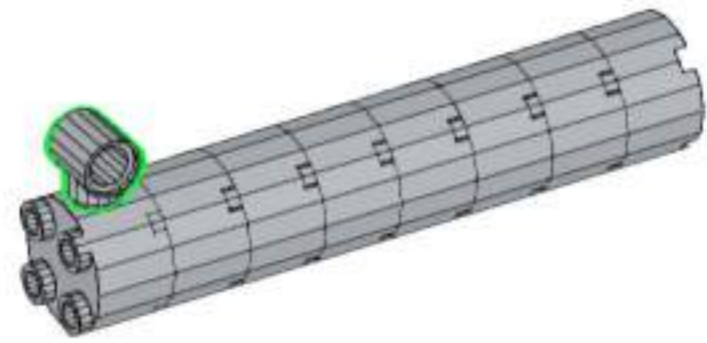
412



# 413

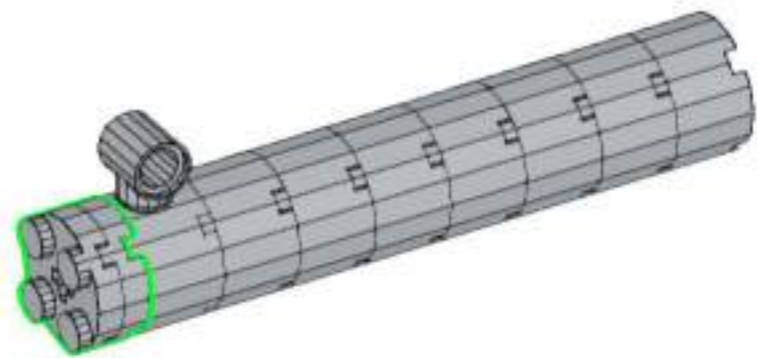
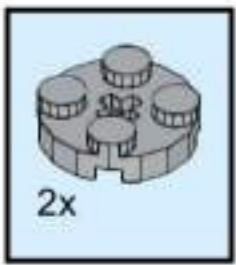


414

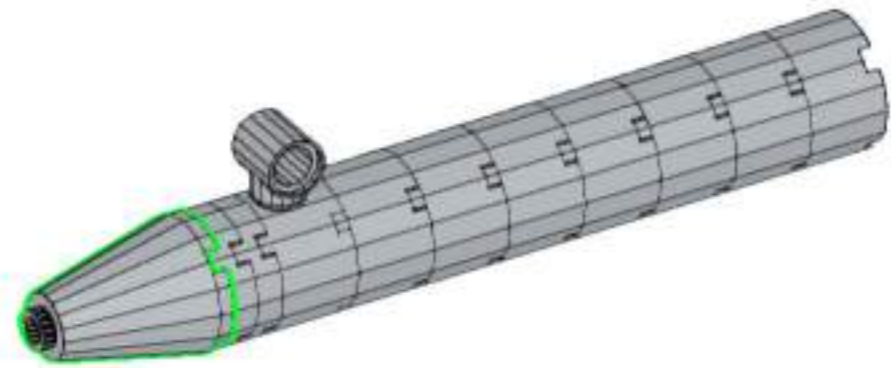
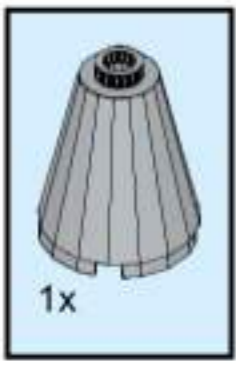




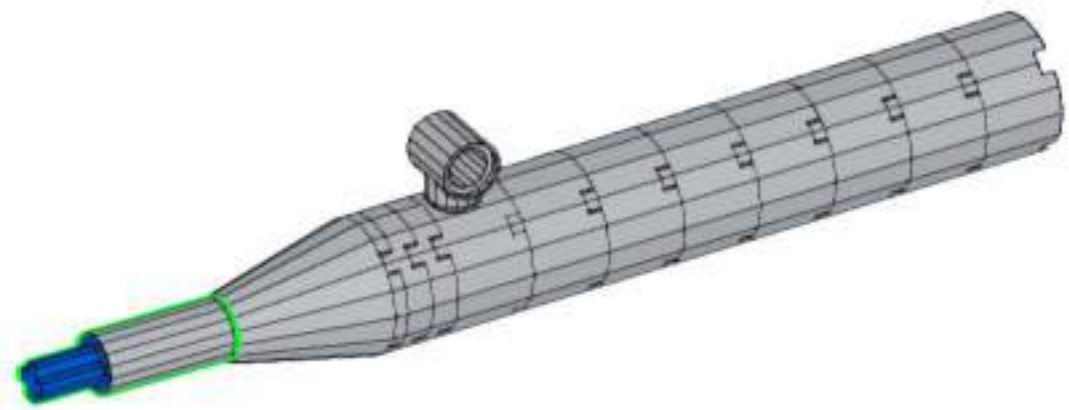
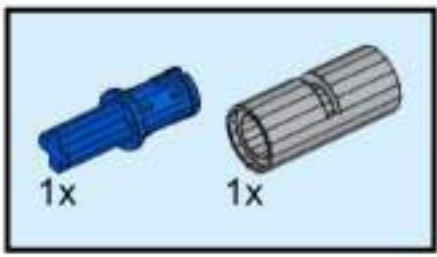
415



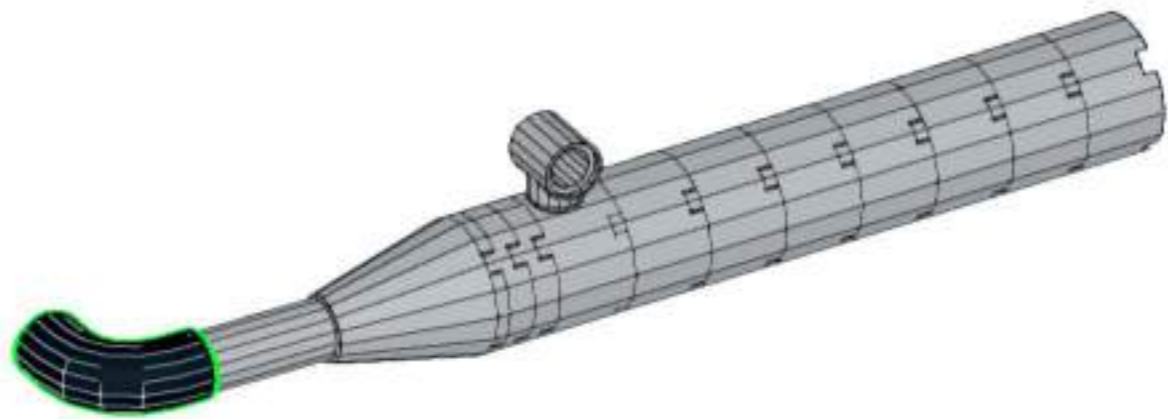
416



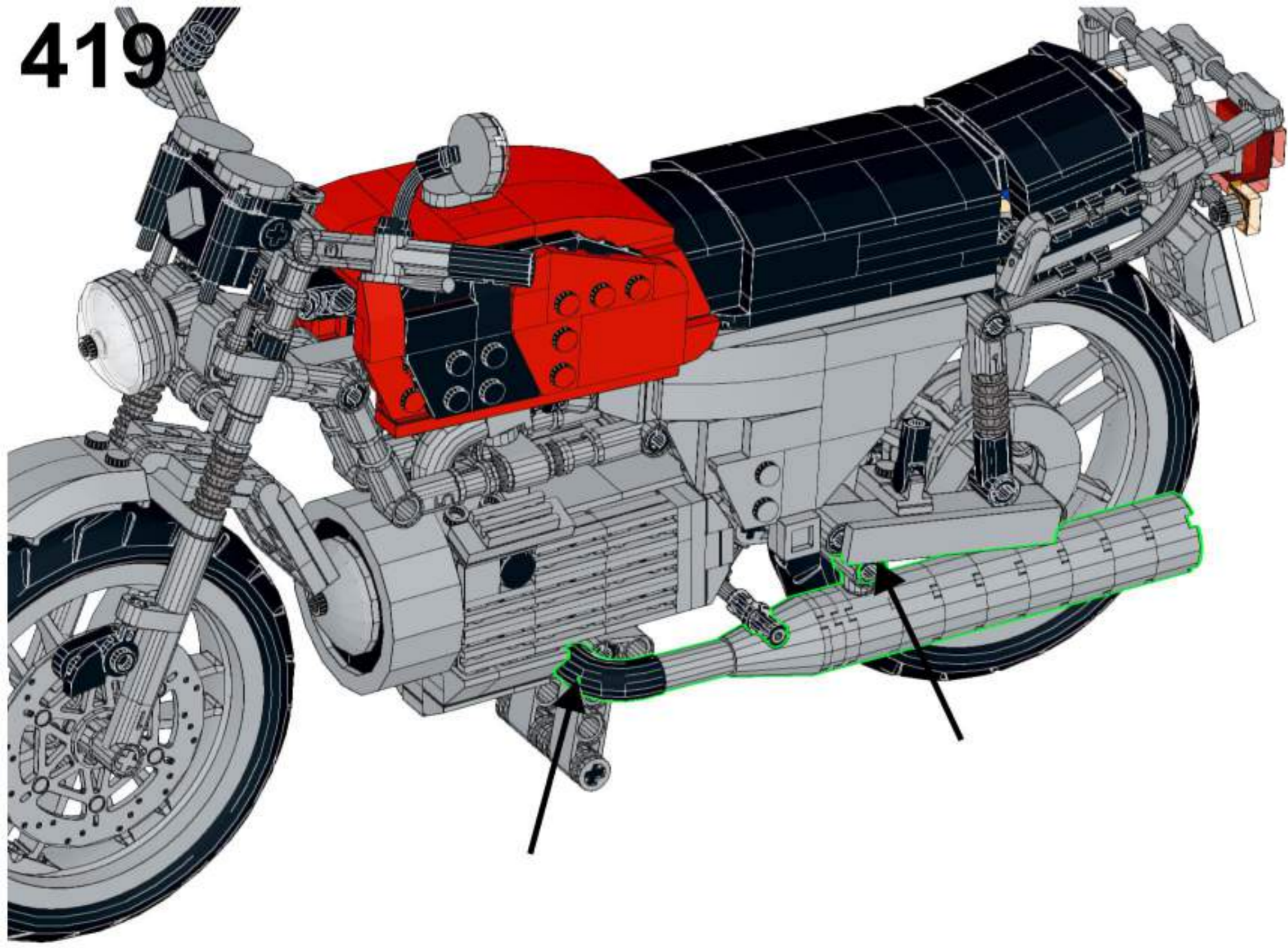
# 417



418

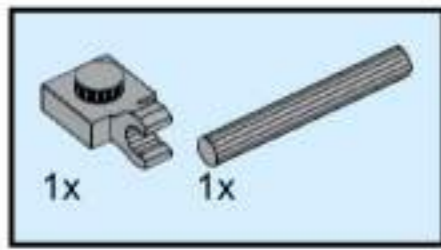


419

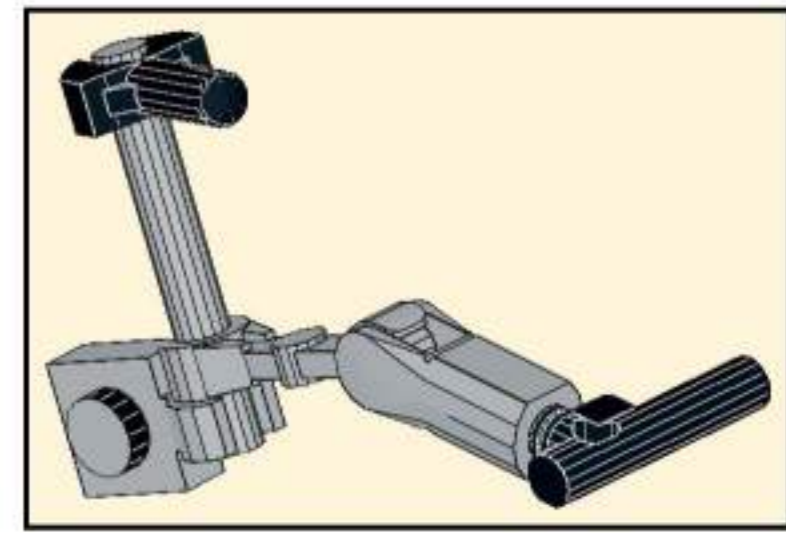




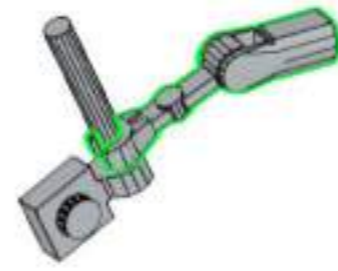
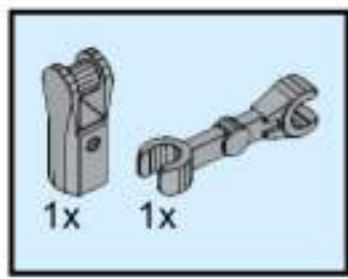
# 420



24 mm ca  
Solid bar 3  
mm diameter



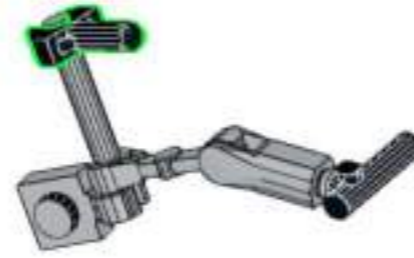
# 421



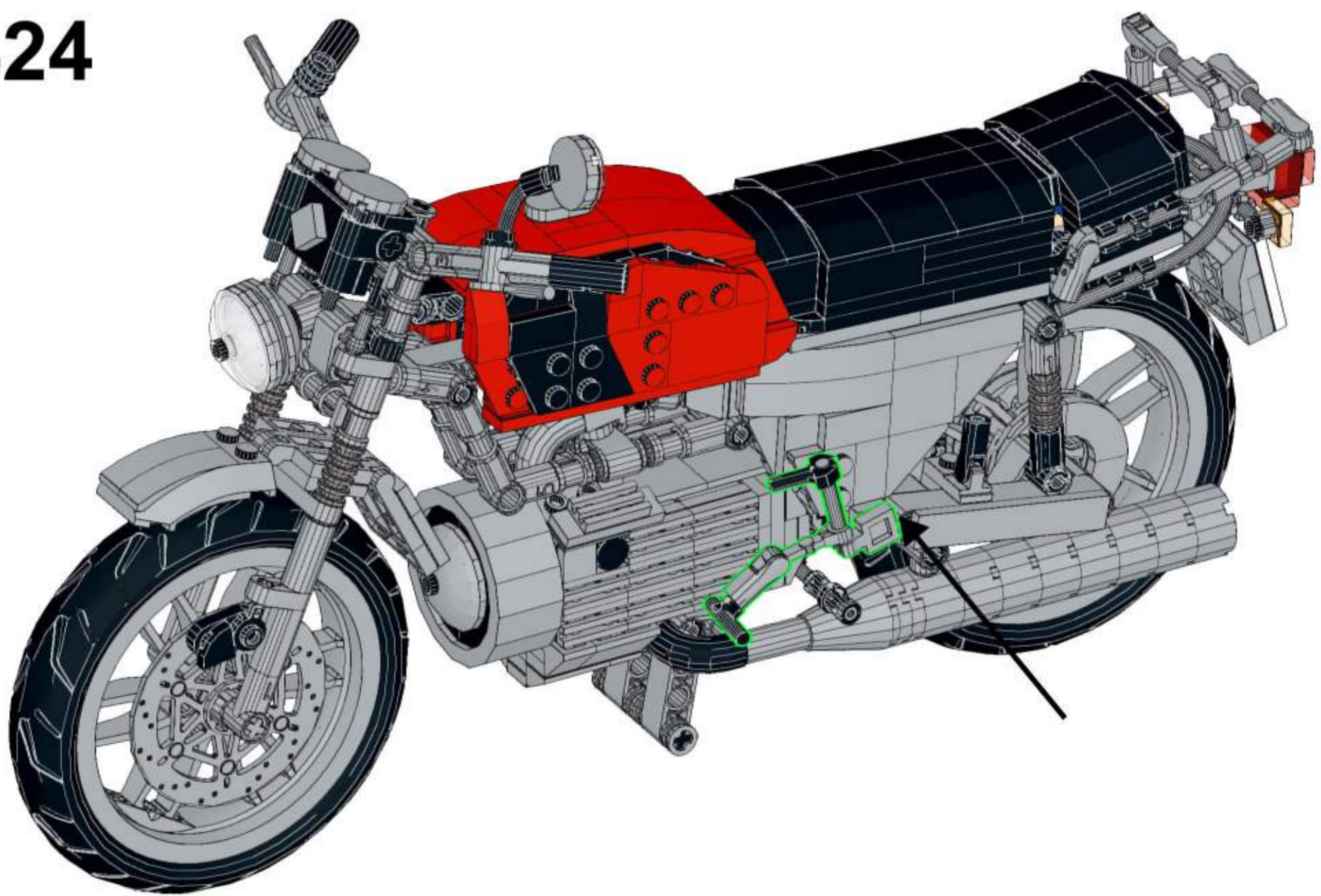
422



423

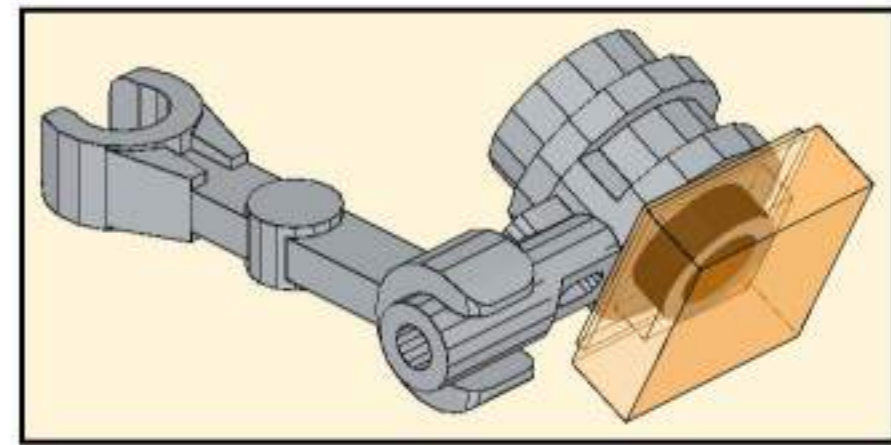
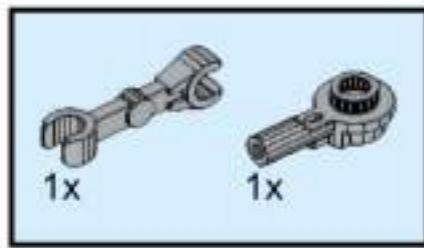


424





# 425

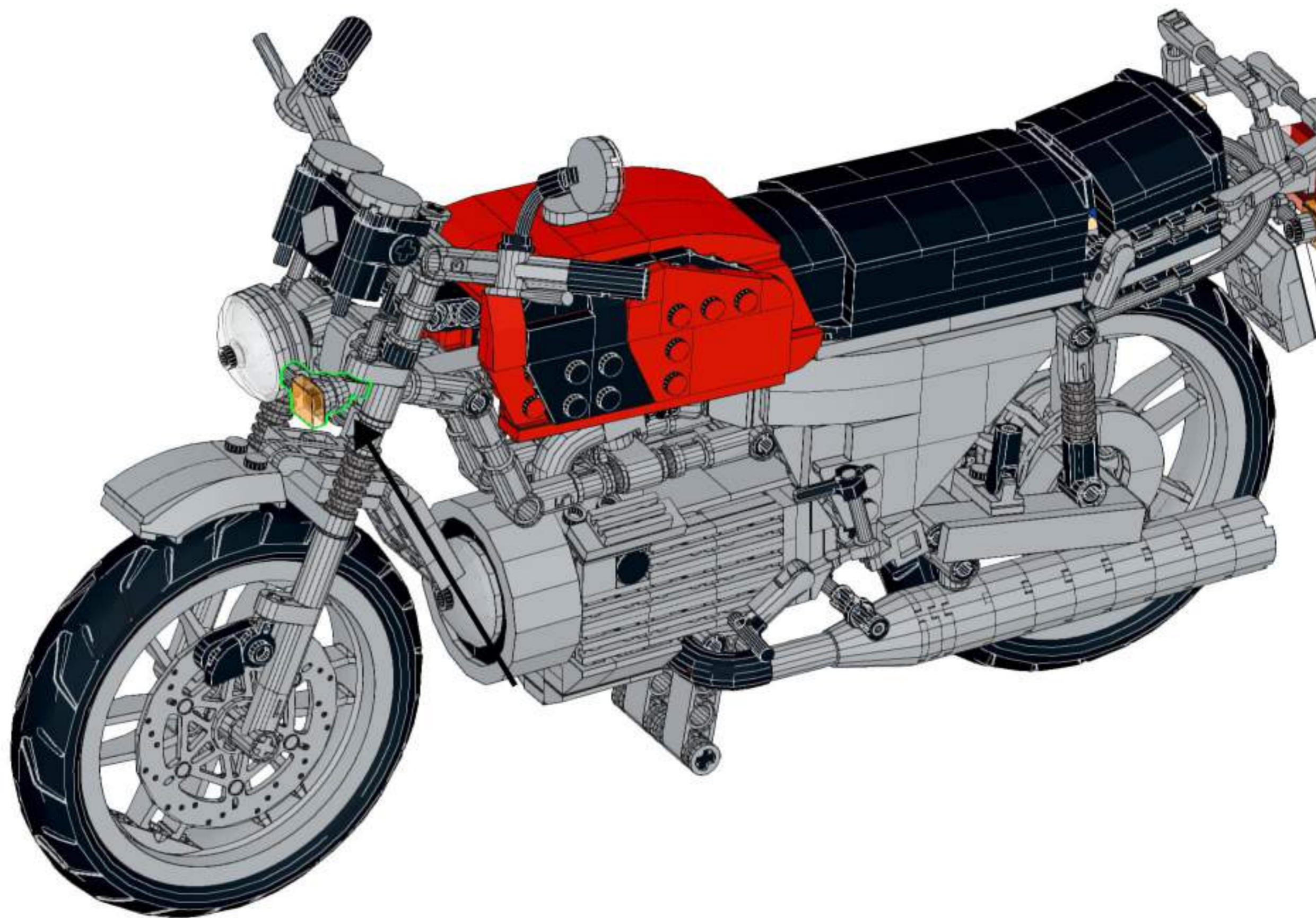


426

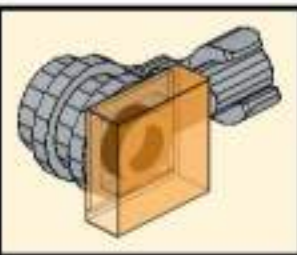
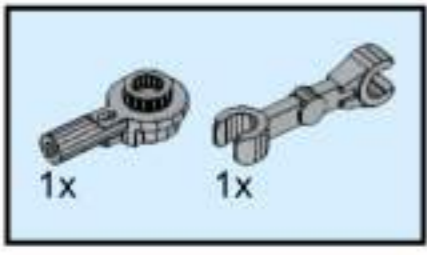


427





# 429





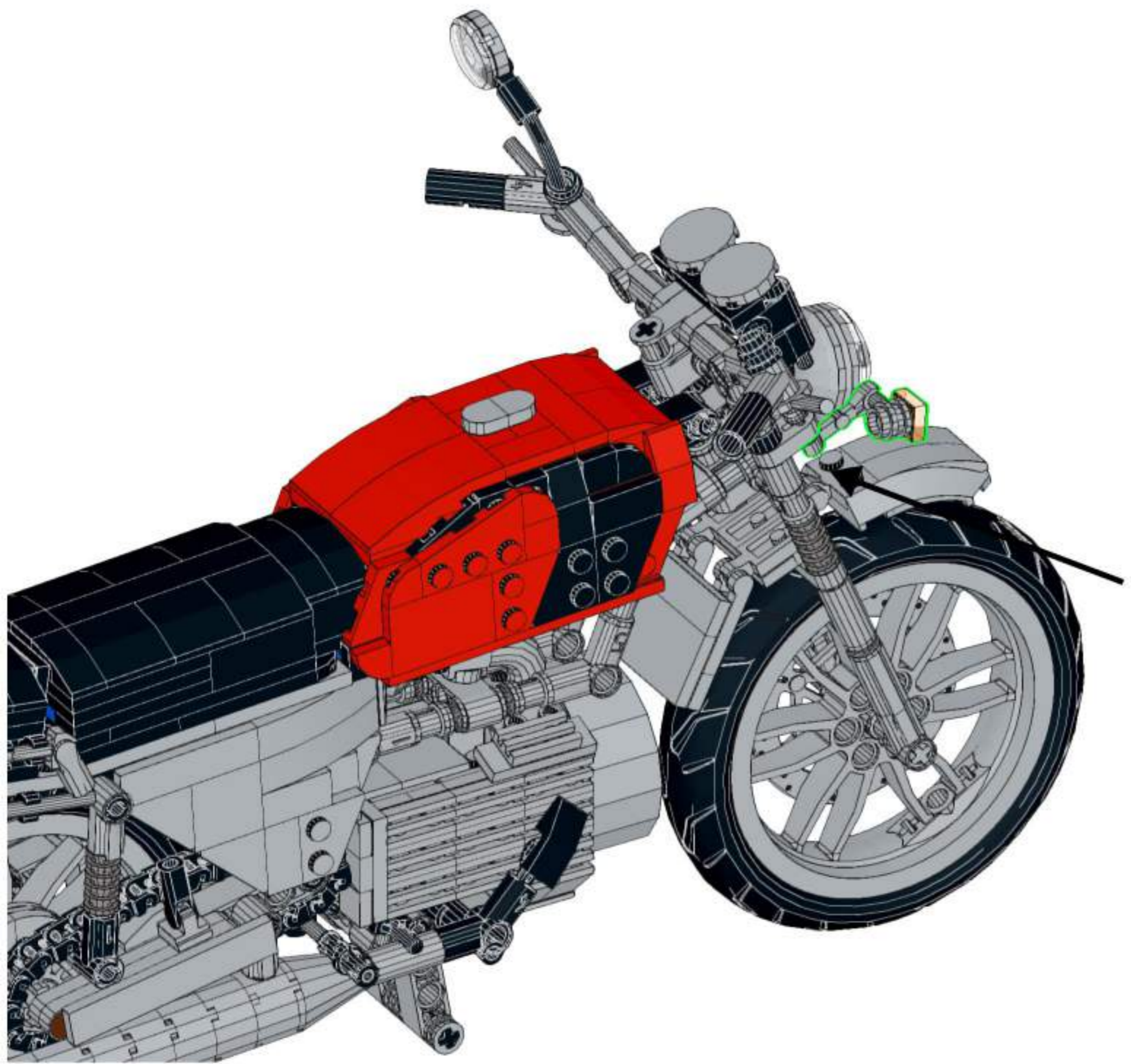
430



# 431



432





Apply stickers





How to fix the problem with the short stand:



Remove the  
outer pieces  
on the stand





Mount these  
pieces  
instead



Mount the 56 mm shaft and mount the end pieces from the original stand