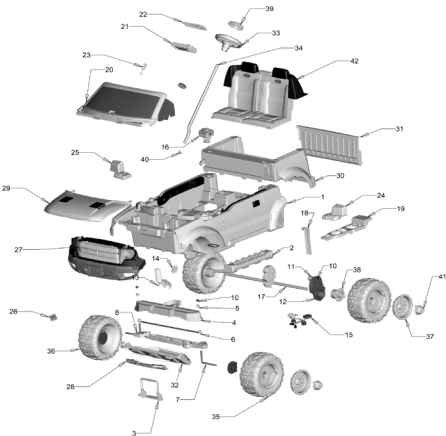


<b>X6647</b> <b>Ford Raptor</b> <b>PW Advanced</b>	
Age Range:	3 and up
Weight Limit:	130 Lbs
Surfaces:	Monster Traction
Speed:	2.5 and 5 MPH Forward 2.5 MPH Reverse
Colors:	Red Body/Black Wheels
Intro:	2013
Suggested Retail:	\$364.35
Box Dimensions:	29.875" x 35.875" x 51.5"
Warranty:	One Year Vehicle Six Months Battery



**POWER WHEELS**  
by Fisher-Price®

Item	Part #	Description	QTY	Item	Part #	Description	QTY
1	X6647-2109	Body	1	29	X6647-9639	Hood w/Louvers for Ford Raptor	1
2	W0030-28729	Step Bar (black) for Ford F-150	1	30	N/A	Truck Bed	1
3	N/A	Battery Retainer	1	31	X6647-9059	Tailgate for Ford Raptor	1
4	N/A	Front Module	1	32	X6647-2049	Front Bumper Support for Ford Raptor	1
5	K8285-2169	Bushing for Ford F-150	4	33	K8285-9069	Steering Wheel Assembly for Ford F-150	1
6	K8285-4459	Crossbar for Ford F-150	1	34	K8285-4009	Steering Column for Ford F-150	1
7	K8285-4509	Front Axle for Ford F-150	2	35	K8285-2239	Left Wheel for Ford F-150	2
8	W1070-9209	Steering Linkage for Ford F-150	1	36	K8285-2039	Right Wheel for Ford F-150	2
9	00801-1939	Cap Nut .437 Retainer	2	37	L6348-6179	Rim for F150 - Chrome	4
10	<u>00968-2938</u>	<b># 7 Motor Gearbox Assembly</b>	<b>2</b>	38	BJM25-2279	Driver/Inner Rear Rim for Ford F-150	2
11	<u>00968-2720</u>	<b># 7R Motor Pinion</b>	<b>2</b>	39	K8285-2199	Steering Wheel Cap for Ford F-150	1
12	<u>00968-2823</u>	<b># 7R Gearbox</b>	<b>2</b>	40	J4394-2149	Retainer	1
13	L6348-9309	Footboard Assembly for F-150 Ford	1	41	L6348-6189	Hubcap Center for F-150 (Chrome)	4
14	<u>00801-2039</u>	<b>Footswitch - (plunger type)</b>	<b>1</b>	42	00801-2084	Seat w/Headrests for Ford Raptor	1
15	<u>T6991-9799</u>	<b>Wiring Harness for Ford F-150</b>	<b>1</b>				
16	K8285-9319	Shifter for Ford F-150	1			<b>Parts Not Shown</b>	
17	K8285-4519	Rear Axle for Ford F-150	1			<b>Description</b>	<b>QTY</b>
18	L6348-2799	Channel Cover for F-150 Ford	1	X6647-0720	Manual for Ford Raptor		1
19	M9779-2719	Console Cover	1	X6647-0310	Label Sheet for Ford Raptor		1
20	X6647-9759	Dash/Radio/Windshield for Ford Raptor	1	X6647-9249	Parts Bag for Ford Raptor		1
21	<u>K8285-9529</u>	<b>Radio for Ford F-150</b>	<b>1</b>	K8285-9269	Hardware Bag Ford F-150		1
22	K8285-2779	Radio Battery Cover w/ Screws	1	<u>00801-1775</u>	<b>Switch Control - (shifter/rocker type)</b>		<b>2</b>
23	X6647-9049	Key for Ford Raptor	1	00801-1701	.25" x 2.85" Pin for Ford F-150		1
24	3900-1124	Mirror Set for Raptor (right & left)	1	00801-1712	Coller Pin for Ford F-150		2
25		See # 24		00801-1869	12 Volt Battery (1)		1
26	00801-1518	Large Power Wheel Emblem	1	00801-1778	12 Volt Charger w/Probe		1
27	X6647-9909	Front Grille w/Lights for Ford Raptor	1	00801-2084	Seatbelt (black)		1
28	X6647-2999	Skid Plate for Ford Raptor	1				

Bold and underlined parts are to be purchased and installed by Service Centers only. These items may not be sold directly to consumers by Service Centers or Fisher-Price.