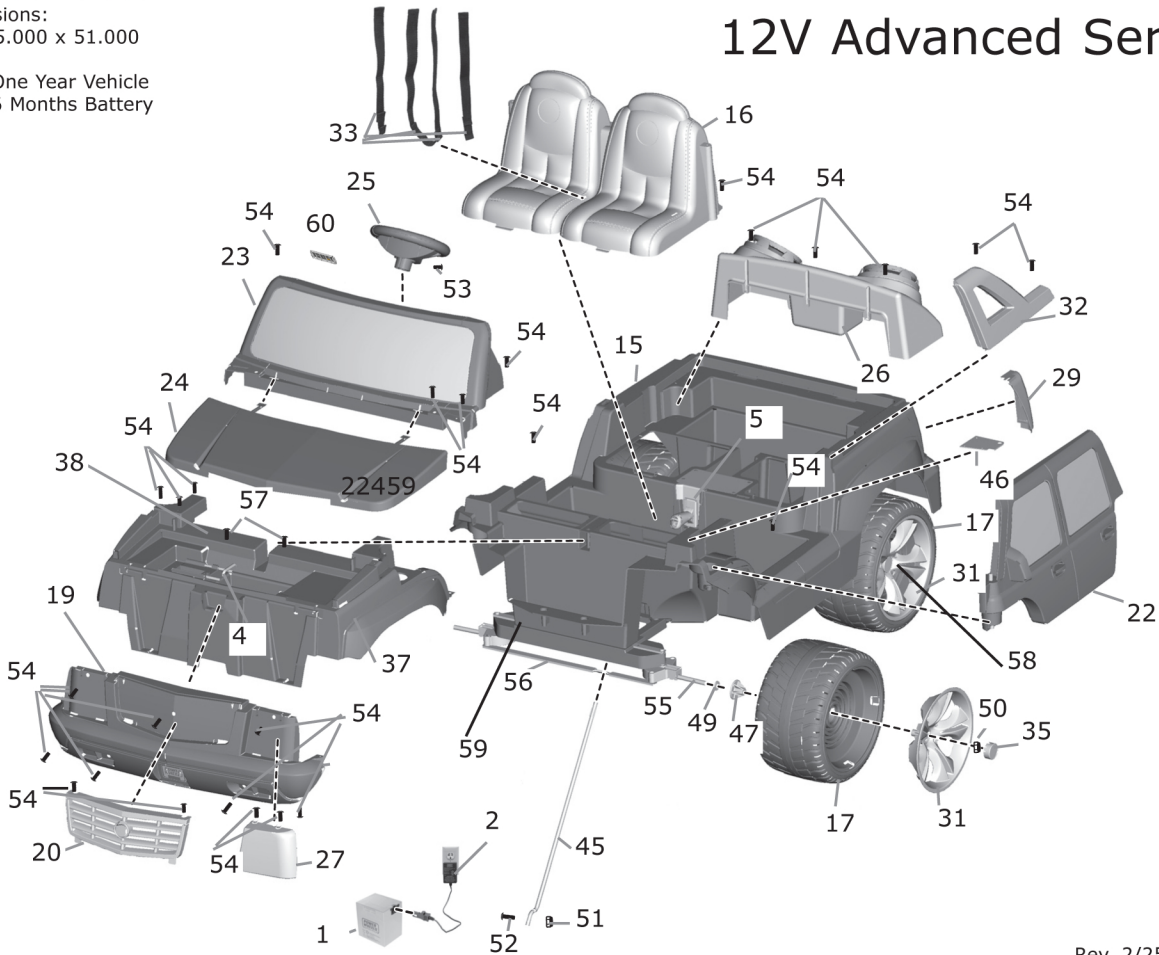


Age Range: 3 and up  
 Weight Limit: 130 lbs.  
 Surfaces: Grass/  
 Asphalt/Hard Surfaces  
 Speed: 2.5 For/Rev  
 5.0 For  
 Colors: Black Body/  
 Black Wheels  
 Intro: 2007  
 Suggested Retail: 299.99  
 Box Dimensions:  
 24.880 x 35.000 x 51.000  
 96 lbs.  
 Warranty One Year Vehicle  
 6 Months Battery



# M0410 Cadillac Escalade TRU Refresh 12V Advanced Series



Rev. 2/25/08

Item No.	Description	Part No.	Qty.	Item No.	Description	Part No.	Qty.	Item No.	Description	Part No.	Qty.
<b>Working / Electrical Parts</b>				<b>38. **Radio w/Microphone</b>				<b>Parts Not Shown</b>			
1.	12V Battery	00801-1460	1	<b>M0410-9319R 1</b>				Parts Bag			
2.	12V Charger	00801-1480	1	<i>(Radio replaceable by consumer by ordering part # 23 windshield/dash/radio)</i>				Hardware Bag			
<b>4.</b>	<b>Harness Assy</b>	<b>H0440-9799</b>	<b>1</b>	<b>Hardware / Metal Parts</b>				Owner's Manual			
<b>5.</b>	<b>Shifter Assy</b>	<b>H0440-9159</b>	<b>1</b>	45.	Steering Column	H0440-4479	1	Decal Sheet			
<b>Plastic / Other Parts</b>				46.	Door Plate	3800-8060	2	<b>Footswitch (Plunger)</b>			
15.	Body	N/A		47.	Bushings	B9785-2229	2	<b>Switch (Shifter/Rocker)</b>			
16.	Seat	L7824-2659	1	49.	7/16 Washer	0801-0196	2	<b>Speaker Wiring Harness</b>			
17.	Left Wheel	G3740-2409	2	50.	3/8 - 16 Lock Nut	00905-0116	2	<b>Motor Pinion Assy.</b>			
19.	Bumper	M0410-9359	1	51.	8-32 Lock Nut	N/A	1	<b>Gearbox</b>			
20.	Grille	H0440-6379	1	52.	8-32 x 3/4 Screw	N/A	1	<b>Motor Gearbox Assy.</b>			
22.	Left Door	M0410-9729	1	<i>(Order Hardware Bag)</i>				Right Wheel			
23.	Windshield/Dash/Radio	M0410-9639	1	53.	6 x 1 1/2 Screw	N/A	1	Driver			
24.	Hood	M0410-2619	1	<i>(Order Hardware Bag)</i>				Right Door			
25.	Steering Wheel	H0440-9089	1	54.	8 x 3/4 Screw	0912-8001	36	Assembly Tool			
26.	Speaker Box Assy	3800-7757	1	55.	Front Axle	H0440-4539	2	Footboard Assy.			
27.	Headlights Bagged	3800-7897	1	56.	Steering Linkage Assy	H0440-9429	1	Lower Crossbar			
29.	Taillights Bagged	3800-7898	1	57.	1/4 - 1 1/4 Screw	N/A	2	Key Assembly			
31.	Wheel Cover	G3740-6439	4	<i>(Order Hardware Bag)</i>				Channel Cover			
32.	Wings (Right/Left Bag)	3800-7594	1	58.	.437 Cap Nut	0801-0226	4	Battery Life Indicator			
33.	Seatbelt Set	74440-5349	1	59.	Front Module	M0410-2309	1	Rear Axle			
35.	Hubcap	G3740-2429	4	60.	Radio Cover w/Screws	H3427-9459	1	High Speed Lock-Out Screw			
37.	Front Clip w/Bat Ret	N/A	1					<b>Speaker w/wire</b>			
								Steering Wheel Cap			

N/A = Not Available

**Bold and Underlined parts are to be purchased and installed by Service Centers only. These items may not be sold directly to consumers by Service Centers or Fisher-Price.**