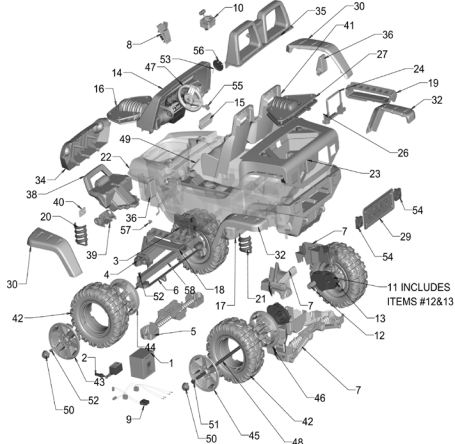


**K7112 Jeep Hurricane-Green  
(K9776 CAN)**

**12 Volt Advanced Series**

Age Range:	3+
Weight Limit:	130 lbs
Surfaces:	Ultimate Terrain
Speed:	2.5 Mph Forward/Reverse 5.0 Mph Forward
Colors:	Green Body/Orange Seat
Intro:	2006
Suggested Retail:	\$399.99
Box Dimensions:	28.4x32.4x51 -- 96 lbs
Warranty:	One Year Vehicle Six Months Battery



ITEM	PART #	DESCRIPTION	QTY	ITEM	DESCRIPTION	QTY
1	00801-1261	BATTERY, 12V (ORANGE TOP)	1 EA	29	N/A	1 EA
2	00801-0972	CHARGER 12V PROBE	1 EA	30	3800-8198	FRONT FENDER SET
3	N/A	CONTROL ARM, FRONT RIGHT	1 EA	32	3800-7994	REAR FENDER SET
4	N/A	CONTROL ARM, FRONT LEFT	1 EA	34	K7112-9709	GRILLE ASSEMBLY
5	N/A	SUSPENSION, FRONT	1 EA	35	J4394-9759	ROBAR ASSEMBLY
6	J4394-9010	STEERING LINKAGE ASSEMBLY	1 EA	36	3800-8256	MIRROR SET (LEFT & RIGHT)
7	N/A	REAR SUSPENSION ASSEMBLY	2 EA	38	J4394-9899	BRUSH GUARD ASSEMBLY
8	J4394-9309	FOOTBOARD ASSEMBLY	1 EA	39	J4394-6879	LICENSE PLATE FRAME
9	<b>J4394-9799</b>	<b>WIRING HARNESS**</b>	<b>1 EA</b>	40	00801-1518	LARGE PW-EMBLEM
10	J4394-9319	SHIFTER ASSEMBLY	1 EA	41	J4394-9909	SEAT ASSEMBLY
11	<b>00968-2917</b>	<b>#7 MOTOR/GEARBOX ASM**</b>	<b>2 EA</b>	42	J4394-2529	WHEEL
12	<b>00968-2706</b>	<b>#7 MOTOR/PINION ASM**</b>	<b>2 EA</b>	43	3800-8223	BAGGED FRONT RIMS, OUTER/INNER
13	<b>00968-2810</b>	<b>#7 GEARBOX ASM**</b>	<b>2 EA</b>	44	**SEE # 43	BAGGED FRONT RIMS, OUTER/INNER
14	3800-8263	WINDSHIELD/DASHBOARD W/RADIO	1 EA	45	3800-8224	BAGGED REAR RIMS, OUTER/INNER
15	J4394-9559	BATTERY DOOR/SCREWS	1 EA	46	**SEE # 45	BAGGED REAR RIMS, OUTER/INNER
16	J4394-9260	FRONT MESH HOOD (gray) w/ Motor	1 EA	47	3800-8255	STEERING WHEEL ASSEMBLY
17	N/A	CHASSIS	1 EA	48	J4394-4519	REAR AXLE
18	N/A	RUNNING BOARD, LEFT	1 EA	49	J4394-4459	STEERING COLUMN
19	N/A	RUNNING BOARD, RIGHT	1 EA	50	K7112-2959	HUBCAP
20	N/A	FRONT SHOCK/SPRING	2 EA	51	J4394-2149	WHEEL RETAINER, 750
21	N/A	REAR SHOCK/SPRING	2 EA	52	00801-1621	FRONT AXLE CAP, .437
22	N/A	BODY	1 EA	53	00801-1565	STEERING PIN
23	3800-8166	REAR CLIP	1 EA	54	J4394-2649	TAILLIGHTS
24	3800-7809	BATTERY RETAINER	1 EA	55	J4394-2269	KEY
26	00801-1200	SCREW, SELF TAPPING	2 EA	56	J4394-2789	STEERING WHEEL CAP
27	J4394-2679	MESH TRUNK COVER (black) w/o Motor	1 EA	57	00801-1620	STEERING COLUMN CAP
<b>Parts Not Shown</b>			58	J4394-4419	CROSSBAR	1 EA
J4394-4009	BUSHING SLEEVE	2 EA	<b>Parts Not Shown</b>			
J4394-9269	HARDWARE BAG	1 EA	<b>00801-1566</b>	<b>FOOTSWITCH</b>	<b>1 EA</b>	
K7112-9160	PARTS BAG	1 EA	74440-5349	SEATBELT LAP STYLE	1 EA	
J4394-0310	MAIN LABEL SHEET	1 EA	J4394-0320	MYLAR LABEL	1 EA	
J4394-4509	FRONT AXLE	1 EA	J4394-9059	BATTERY LIFE INDICATOR	1 EA	
00801-0198	M3-.5 X 32 MM NYLOCK SCREW	2 EA	0801-0196	WASHER - 7/16"	2 EA	
<b>00801-0923</b>	<b>ROCKER SWITCH</b>	<b>2 EA</b>	J4394-2619	REAR BUMPER	1 EA	
<b>K7112-9529</b>	<b>RADIO ASSEMBLY</b>	<b>2 EA</b>				

**\*\*See Service Bulletin 189**

\*\*When repairing parts for warranty, please refer to Additional Label Rates under Reference Material on the B2B

**Bold and underlined parts are to be purchased and installed by Service Centers only. These items may not be sold directly to consumers by Service Centers or Fisher-Price.**