



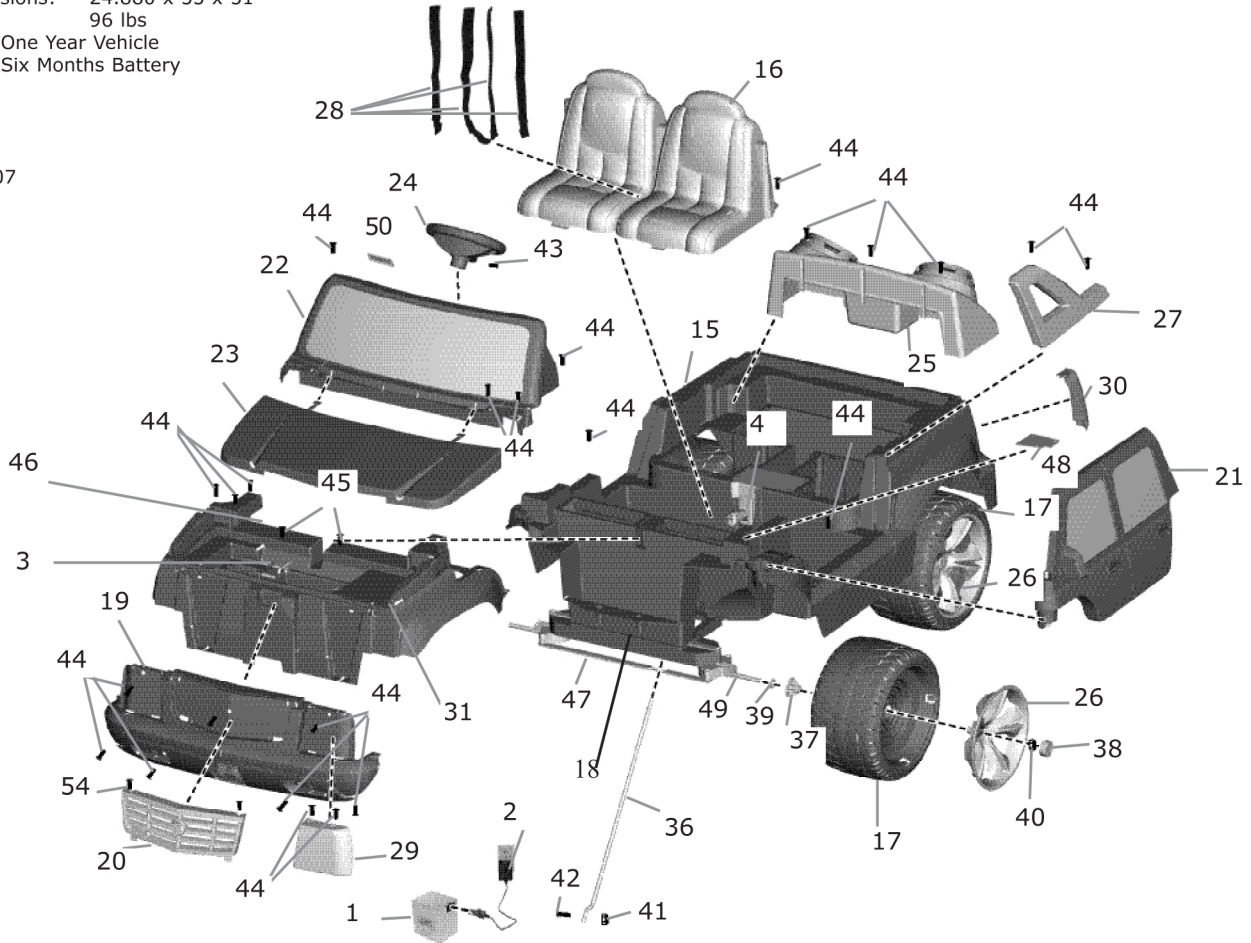
J5246 Barbie Cadillac Escalade

12V Advanced Series

Age Range: 3 and up
 Weight Limit: 130 lbs.
 Surfaces: Grass/Asphalt/
 Other Hard Surfaces
 Speed: 2.5 For/Rev
 5.0 For
 Colors: Pink Body/Purple Seat/Black

Intro: 2006
 Suggested Retail: 299.99
 Box Dimensions: 24.880 x 35 x 51
 96 lbs
 Warranty One Year Vehicle
 Six Months Battery

rev. 7/23/07



Item No.	Description	Part No.	Qty. Item	Part	No. Description Qty.	No.
Working / Electrical Parts						
1.	12V Battery	00801-0638	1			
2.	12V Charger w/Probe	00801-0972	1			
3.	Main Harness Assembly	H0440-9799	1			
4.	Shifter Assembly	H0440-9159	1			
Plastic / Other Parts						
15.	Body	N/A	1			
16.	Seat	J5246-2659	1			
17.	Left Wheel	G3740-2409	2			
18.	Front Module	J5246-2309	1			
19.	Bumper	J5246-9359	1			
20.	Grille	H0440-6379	1			
21.	Left Door	J5246-9729	1			
22.	Windshield/Dash/Radio/Mic	J5246-9639	1			
23.	Hood	J5246-2619	1			
24.	*Steering Wheel	H0440-9759	1			
25.	Speaker Box Assembly	J5246-9409	1			
26.	Wheel Covers	G3740-6439	4			
27.	Wings (Right & Left)	3800-7906	1			
28.	Seatbelt Set	74440-5349	1			
29.	Headlights (Bagged)	3800-7897	1			
30.	Taillights (Bagged)	3800-7898	1			
31.	Front Clip w/Battery Ret	NA	1			
Hardware / Metal Parts						
36.	*Steering Column	H0440-4439	1			
37.	Bushings	B9785-2229	2			
38.	Hubcaps	G3740-2429	4			
39.	7/16 Washer	0801-0196	2			
40.	3/8-16 Lock Nut	00905-0116	2			
41.	8-32 Lock Nut		1			
	(Order Hardware Bag)					
42.	8-32 x 3/4 Screw		1			
	(Order Hardware Bag)					
43.	6 x 1 1/2 Screw N/A		1			
	(Order Hardware Bag)					
44.	8 x 3/4 Screw	0912-8001	36			
45.	1/4 x 1 1/4 Screw N/A		2			
	(Order Hardware Bag)					
46.	**Radio w/Mic	H0440-9329	1			
	(Consumer replaceable by ordering part # 22 windshield/dash/radio)					
47.	Steering Linkage Assy.	H0440-9429	1			
48.	Door Plate	H0440-4459	2			
49.	Front Axle	H0440-4529	2			
50.	Radio Cover w/Screws	H3427-9459	1			
Parts Not Shown						
	Large Parts Bag	H0440-9269	1			
	Hardware Bag	H0440-9279	1			
	Owners Manual	J5246-0920	1			
	Decal Sheet	J5246-0310	1			
	Right Door	J5246-9709	1			
	Assembly Tool	00801-1567	1			
	Speaker Wire Harness	H0440-9449	1			
	Channel Cover	H0440-2259	1			
	Motorgearbox Assembly	00968-2905	2			
	Gearbox	74310-9529	2			
	Motor	00968-2701	2			
	Driver	74460-2249	2			
	Upper Crossbar	H0440-4409	1			
	Lower Crossbar	H0440-4419	1			
	Footboard Assy.	J5246-9399	1			
	Right Wheel	G3740-2419	2			
	Battery Life Indicator	H0436-9059	1			
	.437 Cap Nut	0801-0226	4			
	Rear Axle	H0440-4519	1			
	Shift Control(Shifter/Rock)	00801-0923	1			
	Footswitch (Plunger Type)	00801-0933	1			
	Key Assembly	H0440-9049	1			
	Speaker w/Wire	H0440-9459	1			
	High Speed Lock Out Screw	0801-0198	1			

N/A = Not Available

Bold and Underlined parts are to be purchased and installed by Service Centers only. These items may not be sold to consumers by Service Centers or Fisher-Price. **Service Centers: Please see Service Bulletin #177 for FM Radio Replacement instructions.

***Please see Service Bulletin #181 titled "Assembly Change to Steering Column."**