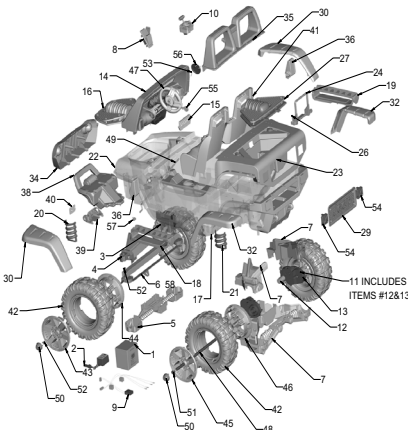


JEEP HURRICANE
12 Volt Advanced Series

Age Range:	3+
Weight Limit:	130 lbs
Surfaces:	Ultimate Terrain
Speed:	2.5 Mph Forward/Reverse 5.0 Mph Forward
Colors:	Blue Body/Orange Seat
Intro:	2006
Suggested Retail:	\$399.99
Box Dimensions:	28.4x32.4x51 -- 96 lbs
Warranty:	One Year Vehicle Six Months Battery



ITEM	PART #	DESCRIPTION	QTY	ITEM	PART #	DESCRIPTION	QTY
1	00801-1661	BATTERY, 12V (ORANGE TOP)	1 EA	29	J4394-2629	MESH, REAR	1 EA
2	00801-0972	CHARGER 12V PROBE	1 EA	30	3800-8198	FRONT FENDER SET	1 EA
3	N/A	CONTROL ARM, FRONT RIGHT	1 EA	32	3800-7994	REAR FENDER SET	1 EA
4	N/A	CONTROL ARM, FRONT LEFT	1 EA	34	J4394-9709	GRILLE ASSEMBLY	1 EA
5	N/A	SUSPENSION, FRONT	1 EA	35	J4394-9759	ROLLBAR ASSEMBLY	1 EA
6	J4394-9010	STEERING LINKAGE ASSEMBLY	1 EA	36	3800-8256	MIRROR SET (LEFT & RIGHT)	1 EA
7	N/A	REAR SUSPENSION ASSEMBLY	2 EA	38	J4394-9899	BRUSH GUARD ASSEMBLY	1 EA
8	J4394-9309	FOOTBOARD ASSEMBLY	1 EA	39	J4394-6879	LICENSE PLATE FRAME	1 EA
9	J4394-9799	WIRING HARNESS *	1 EA	40	00801-1518	LARGE PW-EMBLEM	1 EA
10	J4394-9319	SHIFTER ASSEMBLY	1 EA	41	J4394-9909	SEAT ASSEMBLY	1 EA
11	00968-2917	#7 MOTOR/GEARBOX ASM *	2 EA	42	J4394-2529	WHEEL	4 EA
12	00968-2706	#7 MOTOR/PINION *	2 EA	43	3800-8223	BAGGED FRONT RIMS, OUTER/INNER	1 EA
13	00968-2810	#7 GEARBOX *	2 EA	44	*SEE # 43	BAGGED FRONT RIMS, OUTER/INNER	1 EA
14	3800-8257	WINDSHIELD/DASHBOARD W/RADIO	1 EA	45	3800-8224	BAGGED REAR RIMS, OUTER/INNER	1 EA
15	J4394-9659	BATTERY DOOR/SCREWS	1 EA	46	*SEE # 45	BAGGED REAR RIMS, OUTER/INNER	1 EA
16	J4394-9260	FALSE FRONT MOTOR ASSY W/MESH	1 EA	47	3800-8255	STEERING WHEEL ASSEMBLY	1 EA
17	N/A	CHASSIS	1 EA	48	J4394-4519	REAR AXLE	1 EA
18	N/A	RUNNING BOARD, LEFT	1 EA	49	J4394-4459	STEERING COLUMN	1 EA
19	N/A	RUNNING BOARD, RIGHT	1 EA	50	J4394-2959	HUBCAP	4 EA
20	N/A	FRONT SHOCK/SPRING	2 EA	51	J4394-2149	WHEEL RETAINER 750	2 EA
21	N/A	REAR SHOCK/SPRING	2 EA	52	00801-1621	FRONT AXLE CAP .437	4 EA
22	N/A	BODY	1 EA	53	00801-1565	STEERING PIN	1 EA
23	3800-8052	REAR CLIP	1 EA	54	J4394-2649	TAILLIGHTS	2 EA
24	3800-7809	BATTERY RETAINER (SCREWS 8X 3/4)	1 EA	55	J4394-2269	KEY	1 EA
26	N/A	SCREW, SELF TAPPING	2 EA	56	J4394-2789	STEERING WHEEL CAP	1 EA
27	J4394-2679	MESH TRUCK FOR HURRICAN	1 EA	57	00801-1620	STEERING COLUMN CAP	1 EA
		Parts Not Shown		58	J4394-4419	CROSSBAR	1 EA
J4394-4009	BUSHING SLEEVE	2 EA			Parts Not Shown		
J4394-9269	HARDWARE BAG	1 EA			00801-1666	FOOTSWITCH	1 EA
J4394-9160	PART'S BAG	1 EA			74440-5349	SEATBELT LAP STYLE	1 EA
J4394-0310	MAIN LABEL SHEET	1 EA			J4394-0320	MYLAR LABEL	1 EA
J4394-4509	FRONT AXLE	2 EA			J4394-9059	BATTERY LIFE INDICATOR	1 EA
00801-0198	M3-.5 X 32 MM NYLOCK SCREW	2 EA			0801-0196	WASHER - 7/16"	2 EA
00801-0923	ROCKER SWITCH	2 EA			0801-8001	8 X 3/4" SCREW	53 EA
J4394-2619	REAR BUMPER	1 EA					

*When repairing parts for warranty, please refer to Additional Labor Rates under Reference Material on the B2B

Bold and underlined parts are to be purchased and installed by Service Centers only. These items may not be sold directly to consumers by Service Centers or Fisher-Price.