

Age Range: 1-3
Weight Limit: 40 lbs.
Surfaces: Asphalt/Hard Surfaces
Speed: 2.0 Forward
Colors: Red Body/Orange Seat/Purple Wheels
Intro: 2005
Suggested Retail: 99.99

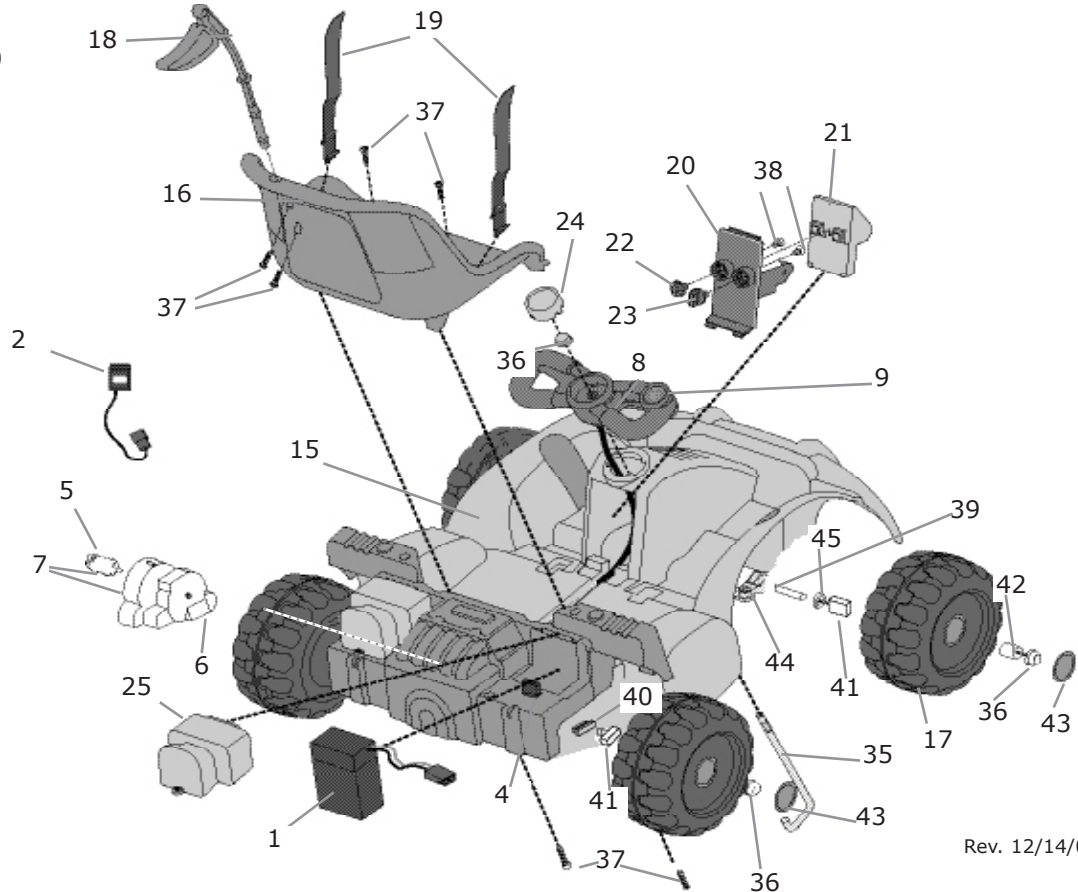


J4030

DORA

Get Set Go! Kart Toddler Series

Box Dimensions:
 11.375 x 24.375 x 31.750
 18 lbs.
Warranty
 One Year Vehicle
 6 Months Battery



Rev. 12/14/07

| Item No. | Description | Part No. | Qty. Item | Part | No. Qty. | Description | No. |
|-----------------------------------|--|-------------------|-----------|------|----------|-------------|-----|
| Working / Electrical Parts | | | | | | | |
| 1. | 6V, 4 amp Battery | 00801-1230 | 1 | | | | |
| 2. | 6V, 4 amp Charger | 00801-0976 | 1 | | | | |
| 4. | Motor Harness | 76790-9699 | 1 | | | | |
| 5. | Motor Pinion | 00968-3700 | 1 | | | | |
| 6. | Gearbox | 00968-3800 | 1 | | | | |
| 7. | Motor Gearbox Assy | 00968-3900 | 1 | | | | |
| 8. | Steer Wheel w/Harness | J4030-9209 | 1 | | | | |
| 9. | Switch | 00801-1222 | 1 | | | | |
| Hardware / Metal Parts | | | | | | | |
| 35. | Steering Column | 76790-4539 | 1 | | | | |
| 36. | Retainer | 0801-0548 | 6 | | | | |
| 37. | 8 x 3/4 Screw | 0912-8001 | 6 | | | | |
| 38. | 6 x 3/8 Screw N/A (Order Hardware Bag) | | 2 | | | | |
| 39. | Front Axle | 76790-4519 | 2 | | | | |
| 40. | Bushing w/Out Ext, Rect | 74504-2549 | 2 | | | | |
| 41. | Bushing w/Ext. Rect | 78560-2659 | 4 | | | | |
| 42. | Bushing | J4030-2129 | 4 | | | | |
| 43. | Hubcap | J4030-2349 | 4 | | | | |
| 44. | Steering Linkage Assy. | 3800-7042 | 1 | | | | |
| 45. | 5/16 Washer | 0801-0253 | 2 | | | | |
| Parts Not Shown | | | | | | | |
| | Large Parts Bag | J4030-9259 | 1 | | | | |
| | Hardware Bag | 3800-7830 | 1 | | | | |
| | Owner's Manual | J4030-0920 | 1 | | | | |
| | Decal Sheet | J4030-0320 | 1 | | | | |
| | Rear Axle | 76790-4529 | 1 | | | | |
| Plastic / Other Parts | | | | | | | |
| 15. | Veh Frame | N/A | 1 | | | | |
| 16. | Seat | J4030-2149 | 1 | | | | |
| 17. | Wheel | 78780-2119 | 4 | | | | |
| 18. | Flag | 78780-2269 | 1 | | | | |
| 19. | Seat Belt Set | 75547-5519 | 1 | | | | |
| 20. | Action Sounds Box Cover | 78780-2239 | 1 | | | | |
| 21. | Action Sounds Box | G4815-9539 | 1 | | | | |
| 22. | Sound Knob | J4030-2259 | 1 | | | | |
| 23. | Key Knob | J4030-2249 | 1 | | | | |
| 24. | Steering Wheel Cap | J4030-2229 | 1 | | | | |
| 25. | Rear Bumper Cover | 76790-2139 | 2 | | | | |

N/A = Not Available

Bold and Underlined parts are to be purchased and installed by Service Centers only. These items may not be sold directly to consumers by Service Centers or Fisher-Price.