

Age Range: 2-6  
 Weight Limit: 65 LBS.  
 Surfaces: Grass/Asphalt/  
 Hard Surfaces  
 Speed: 3.5 For/Rev  
 Colors: Red Body/Orange Seat  
 Purple Wheels  
 Intro: 2005  
 Suggested Retail: 179.99  
 Box Dimensions:  
 17.880 x 30.375 x 40.250;  
 42 lbs.  
 Warranty

One Year Vehicle  
 6 Months Battery

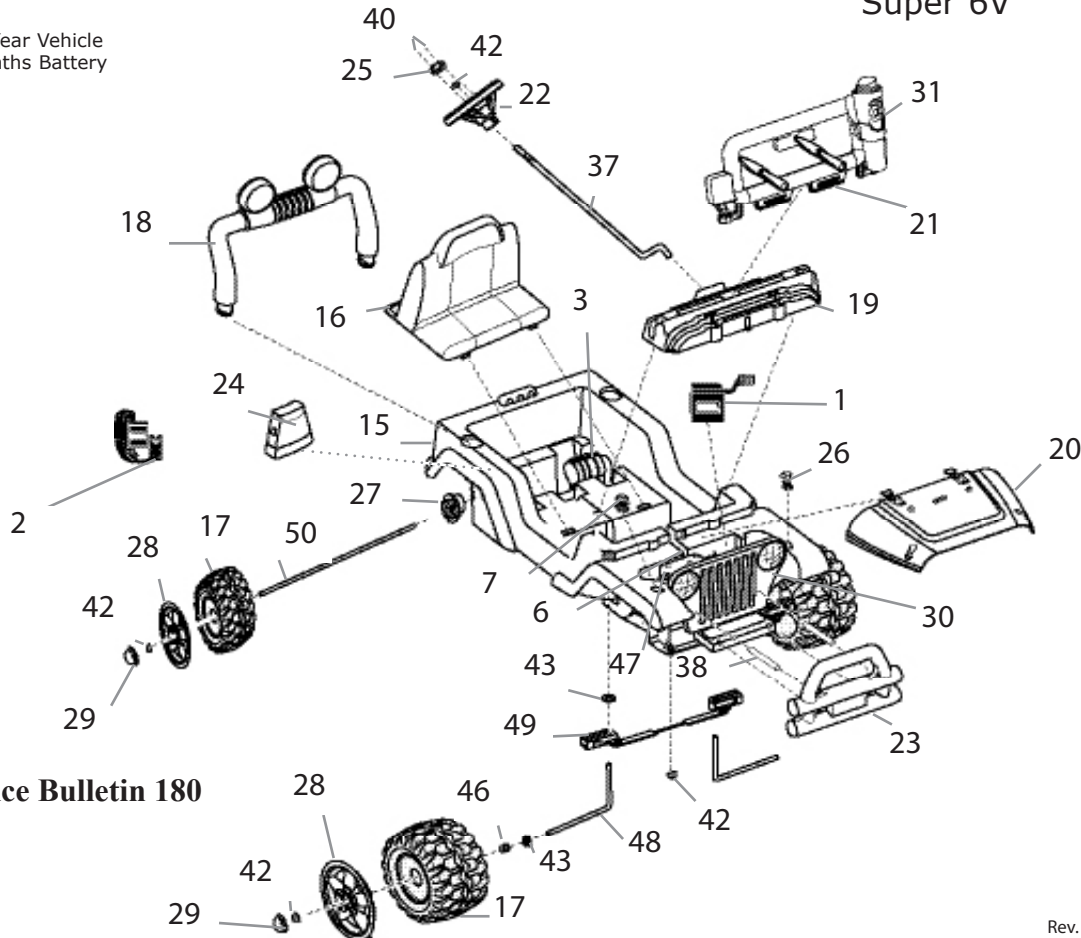


# H4435-TRU

## Dora Jeep Wrangler

### Preschool Series

Super 6V



**\*See Service Bulletin 180**

Rev. 12/30/06

Item No.	Description	Part No.	Qty.	Item No.	Description	Part No.	Qty.	Item No.	Description	Part No.	Qty.				
<b>Working / Electrical Parts</b>															
1.	Super 6V Battery	00801-0712	1	31.	Map	H4435-9239	1		Main Decal Sheet	H4435-0310	1				
2.	Super 6V Charger	00801-0974	1	<b>Hardware / Metal Parts</b>									Small Decal Sheet	H4435-0320	1
3.	<b>Motor Grbox Assy. 74180-9519 2</b>			37.	*Steering Column (Before 10/9/06)	73610-4239	1		<b>Footswitch (Plunger Type) 00801-0933 1</b>						
6.	<b>Main Harness Assy. 73610-9569 1</b>			38.	Brushguard Spacer	78477-2069	2		<b>Grbox W/out Motor 74550-9279 2</b>						
7.	Control Switch	00801-0885	1	40.	8 x 1 Screw N/A	00801-1259	2		<b>Motor Pinion Assy. 74580-9539 2</b>						
<b>Plastic / Other Parts</b>															
15.	Body	N/A		*42..437 Cap Nut (Before 10/9/06)									Footboard Assembly	73610-9289D	1
16.	Seat	H4435-2319	1	43.	7/16 Washer	0801-0227	6		8 x 4 Screw N/A	00801-0301	2				
17.	Wheel	H4435-2459	4	46.	7/16 Round/Axle Bush	74550-2689	2		(Order Hardware Bag)						
18.	Roll Bar	H4435-2339	1	47.	Battery Retainer Assy.	75548-9409	1		10 x 1 Screw N/A	00801-1256	10				
19.	Dashboard w/Bag	3800-7639	1	48.	Front Axle	H4435-4519	2		(Order Hardware Bag)						
20.	Hood	H4435-9359	1	49.	Steering Linkage Assy.	73610-9419	1		.437 Long Bushing	73610-2689	2				
21.	Windshield w/Holder	H4435-9619	1	50.	Rear Axle	H4435-4509	1	<b>Parts Not Shown</b>							
22.	*Steering Wheel (Before 10/9/06)	H4435-2719	1	Large Parts Bag								H4435-9269	1		
23.	Brush Guard	H4435-2349	1	Hardware Bag								H4435-9059	1		
24.	Back Pack w/Holder	H4435-9289	1	*Owners Manual (Before 10/9/06)								H4435-0920	1		
25.	Steering Wheel Cap	H4435-2729	1												
26.	Hood Latch	H4435-9559	2												
27.	Wheel Driver	74460-2249	2												
28.	Hubcap	B7659-2469	4												
29.	Hubcap Cover	B7659-2679	4												
30.	Grill	3800-7638	1												

N/A = Not Available

**Bold and Underlined parts are to be purchased and installed by Service Centers only. These items may not be sold directly to consumers by Service Centers or Fisher-Price. \*See Service Bulletin 180**