

Age Range: 3 and up  
 Weight Limit: 130 lbs.  
 Surfaces: Grass/Asphalt/Hard Surfaces

Speed: 2.5 For/Rev  
 5.0 For  
 Colors: Purple Body/Pink Seat/  
 Black Wheels  
 Intro: 2005  
 Suggested Retail: 219.99  
 Box Dimensions:  
 18.375 x 33.375 x 44.750  
 67 lbs.  
 Warranty

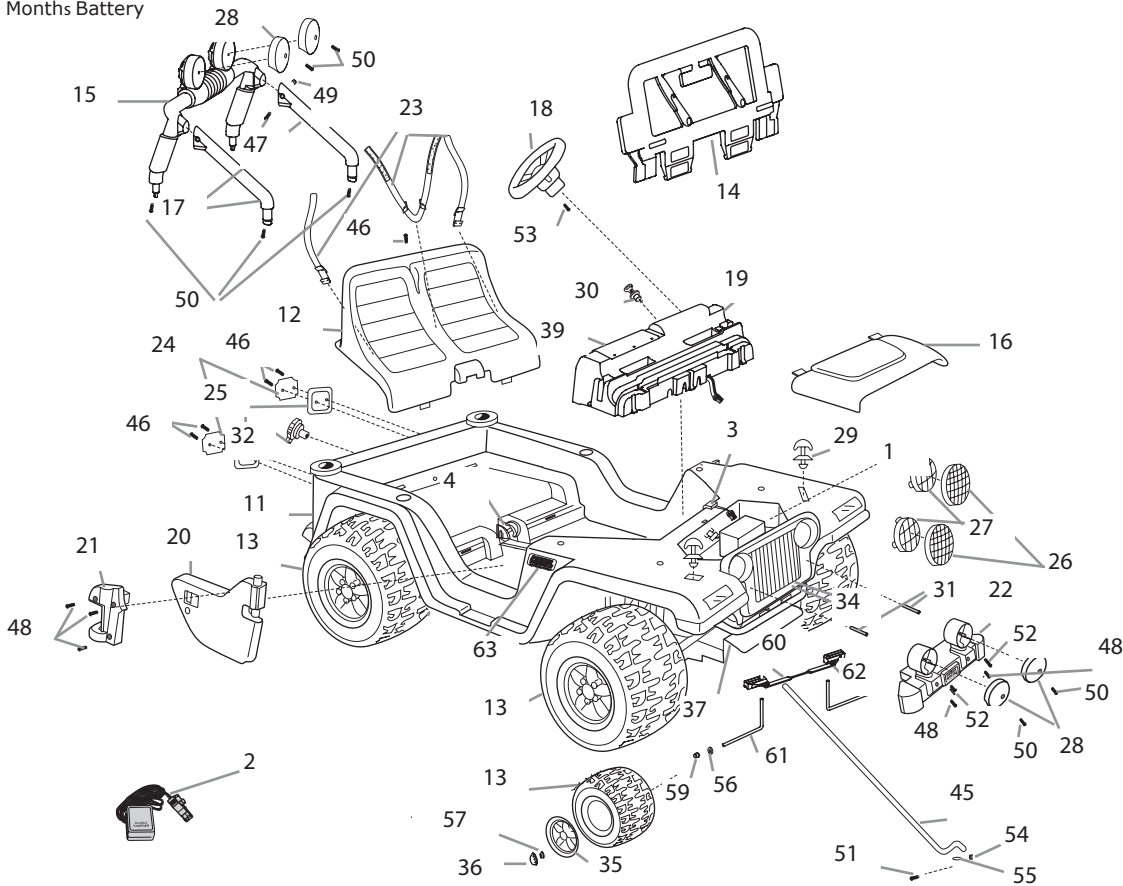


# H3427 Barbie Jammin' Jeep

12V

Advanced Series

One Year Vehicle  
 6 Months Battery



Rev. 6/29/07

Item No.	Description	Part No.	Qty.	Item No.	Description	Part No.	Qty.	Item No.	Description	Part No.	Qty.	
<b>Working / Electrical Parts</b>												
1.	12V Single Battery	00801-0638	1	31.	Spacer	H3427-2529	2	59.	7/16 Round/Axle Bushing	74550-2689	2	
2.	12V Single Charger	00801-0972	1	32.	Gas Cap	H3427-2539	1	60.	Cross Bar	75840-4409	1	
3.	<b>Main Harness Assembly</b>	<b>C2390-9799D1</b>		34.	Grill	78478-2849	1	61.	Front Axle	B7659-4519	2	
4.	Shifter Assembly	74310-9239	1	35.	Hubcap	B7659-2469	4	62.	Steering Linkage	B7659-9419D	1	
<b>Plastic/Other Parts</b>												
11.	Body	N/A	1	36.	Hubcap Cover	B7659-2679	4	63.	Power Wheels Emblem	74460-9069	2	
12.	Seat	H3427-2519	1	37.	Front Module	H3427-2119	1	<b>39. **Radio H3427-9309 1</b>				
13.	Wheel	B7659-2459	4	<b>(Consumer Replaceable By Ordering Part 19 (Dash w/Radio Assy.))</b>								
14.	Windshield	B0155-2619	1	<b>Hardware / Metal Parts</b>								
15.	Sport Bar	B0155-2219	1	45.	Steering Column*	H3427-4239	1	<b>Parts Not Shown</b>				
16.	Hood w/Bag	H3427-2859	1	46.	8 x 1 Screw N/A	00912-8003	5	Parts Bag H3427-9269 1				
17.	Sport Bar Support	B0155-2769	2	47.	8-32 x 1.625" Screw	00801-1276	2	Hardware Bag H3427-9299 1				
18.	Steering Wheel	H3427-7645	1	48.	10 x 1 Screw N/A	00801-1256	11	Owners Manual H3427-0920 1				
19.	Dash w/ Radio	H3427-9259D	1	49.	8 Acorn Lock Nut N/A	00801-1277	2	Decal Sheet H3427-9209 1				
20.	Door (Right)	H3427-9229	1	50.	10 x 1/2 Screw N/A	00801-0255	10	<b>Switch Control (Shifter Rocker) 00801-0923</b>				
21.	Door Hinge (Right)	H3427-2249	1	51.	8 x 5/8 Screw	N/A	1	Door Hinge (Left) H3427-2279 1				
22.	Brushguard/Bumper	H3427-2189	1	52.	8 x 3 Screw N/A	00914-0040	2	Door (Left) H3427-9209 1				
23.	Seatbelt Set	H3427-5339	1	<b>(Order Hardware Bag)</b>				<b>Motor Gearbox Assembly 00968-2912 2</b>				
24.	Taillight Lens Set	73233-2279	1	53.	6 x 1 1/2 Screw N/A		1	<b>Gearbox W/out Motor 00968-2802 2</b>				
25.	Taillight Housing Set	H3427-2749	1	<b>(Order Hardware Bag)</b>				<b>Motor Pinion Assembly 00968-2702 2</b>				
26.	Lens Guard	H3427-2839	2	54.	8 Lock Nut N/A	00905-0117	1	Rear Axle B7659-4529 1				
27.	Headlight Lens	74450-2279	2	55.	3/8 Washer N/A		1	Footboard Assembly 74020-9839D 1				
28.	Light Cover	H3427-2169	4	<b>(Order Hardware Bag)</b>				Battery Retainer H3427-7809 1				
29.	Hood Latch	H3427-9559	2	56.	7/16 Washer	0801-0196	4	1/4 x 1 1/2 Screw 0801-0578 2				
30.	Key Assembly	75840-9409	1	57.	.437 Cap Nut	0801-0227	6	Wheel Driver 74460-2249 2				
<b>Parts Not Shown</b>												
Parts Bag H3427-9269 1												
Hardware Bag H3427-9299 1												
Owners Manual H3427-0920 1												
Decal Sheet H3427-9209 1												
<b>Switch Control (Shifter Rocker) 00801-0923</b>												
Door Hinge (Left) H3427-2279 1												
Door (Left) H3427-9209 1												
<b>Motor Gearbox Assembly 00968-2912 2</b>												
<b>Gearbox W/out Motor 00968-2802 2</b>												
<b>Motor Pinion Assembly 00968-2702 2</b>												
Rear Axle B7659-4529 1												
Footboard Assembly 74020-9839D 1												
Battery Retainer H3427-7809 1												
1/4 x 1 1/2 Screw 0801-0578 2												
Wheel Driver 74460-2249 2												
Channel Cover H3427-2489 1												
Radio Battery Cover w/screws and washers H3427-2459 1												
<b>Footswitch 00801-2039 1</b>												

**Bold and Underlined parts are to be purchased and installed by Service Centers only. These items may not be sold directly to consumers by Service Centers or Fisher-Price.**

\*\*Service Centers: Please see Service Bulletin #176 for replacement of Radio/CD Combo.

N/A = Not Available

\* Please see Service Bulletin #182 entitled Assembly Change to Steering Column