

Age Range: 5 and up  
 Weight Limit: 120 lbs.  
 Surfaces: Hard Surfaces  
 Speed: 7 MPH Forward  
 Colors: Black Body/Red Seat  
 Intro: 2004  
 Suggested Retail: 199.99  
 Box Dimensions:  
 9.250 x 20.750 x 37.500  
 40 lbs.  
 Warranty

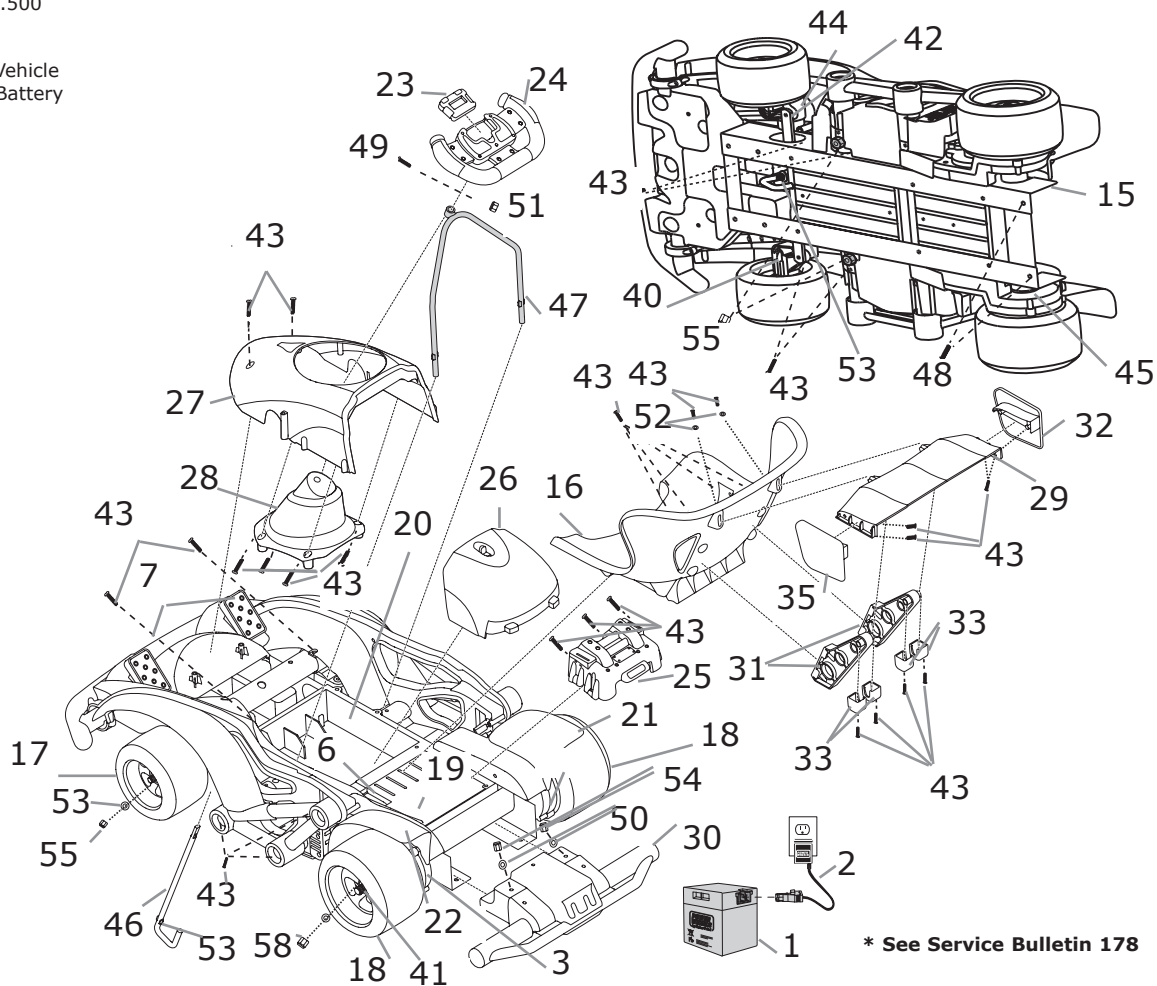
One Year Vehicle  
 6 Months Battery



H2836

Driveway Racer

12V Performance Series



\* See Service Bulletin 178

Rev. 02/14/06

Item No.	Description	Part No.	Qty. Item	Part	No. Qty.	Description	No.
<b>Working / Electrical Parts</b>							
1.	12V Battery	00801-1048	1				
2.	12V Charger w/Probe	00801-0972	1				
3.	<b>Left Motor Gearbox Assy. 00968-4900</b>	<b>00968-4900</b>	<b>1</b>				
4.	<b>Right Motor Gearbox Assy. 00968-4901</b>	<b>00968-4901</b>	<b>1</b>				
6.	<b>Main Harness Assembly C0532-9799</b>	<b>C0532-9799</b>	<b>1</b>				
7.	<b>Footboard Assembly N/A H2836-9229</b>	<b>H2836-9229</b>	<b>1</b>				
<b>Hardware / Metal Parts</b>							
32.	Right Wing Flap N/A	H2836-2479	1		58.	1/2-13 Lock Nut	00905-0115 2
33.	Caps (Wing Retainer)	C0530-2459	4		<b>Parts Not Shown</b>		
35.	Left Wing Flap N/A	H2836-2489	1		Hardware Bag N/A	C0532-9299	1
40.	Front Axle	C0532-4519	2		Owners Manual	H2836-0920	1
41.	Rear Axle	C0532-4539	1		Decal Sheet N/A	H2836-0310	1
42.	Steering Linkage	C0532-9089	1		Hot Wheels Racing Guide	C0530-0300	1
43.	8 x 3/4 Screw	00912-8001	35		Stencil/Pylon Sheet	C0530-2019	1
44.	Front Axle Support	C0532-2069	2		Chalk	C0530-9039	2
45.	Rear Axle Bushing	C0532-2149	2		<b>PC Board C0532-9539</b>	<b>1</b>	
46.	*Steering Column N/A	H2836-9099	1		<b>Gearbox W/out Motor 00968-4800</b>	<b>2</b>	
47.	Steering Tube N/A	H2836-9089	1		<b>Motor Harness C0532-9699</b>	<b>2</b>	
48.	1/4-20 x 3 Screw N/A (Order Hardware Bag)	00801-1302	2		<b>Footswitch (Plunger Type) 00801-0933</b>	<b>1</b>	
49.	3mm x 21mm Screw N/A	00801-1462	1		Front Bearing Washer	00801-1335	6
50.	1/4 Washer	00801-1337	2		Front Wheel Spacer	C0532-4629	2
51.	3 mm Nylock Nut N/A	00801-1463	1		Front Axle Bearing	C0532-4529	4
52.	3/16 Washer N/A (Order Hardware Bag)	0801-0195	2		Rear Wheel Spacer	C0532-4639	2
53.	.375 Washer	00801-1335	1		Rear Axle Drive Spacer	C0532-4549	2
54.	1/4-20 Lock Nut (Order Hardware Bag)	00801-0568	2		Rear Axle Bearing	C0532-4559	4
55.	3/8-16 Lock Nut	00905-0116	2		Rear Axle Bushing	C0532-2149	2
<b>Plastic / Other Parts</b>							
15.	Frame	N/A	1		Additional Seat Screws	00912-8001	6
16.	Seat	C0530-2309	1		Thick 1/2 Washer N/A	00801-1408	2
17.	Front Wheel	C0530-6139	2		8-32 x 1.5 Machine Screw N/A	00801-1333	4
18.	Rear Wheel	C0530-6129	2		8-32 Nylok Nut (Order Hardware Bag)	00905-0117	4
19.	PC Board Cover	C0532-2039	1				
20.	Pan	C0532-2059	1				
21.	Right Rear Fender	C0532-2179	1				
22.	Left Rear Fender	C0532-2189	1				
23.	Stopwatch	C0532-9529	1				
24.	*Steering Wheel Assy.	H2836-9409	1				
25.	Pretend Motor N/A	H2836-2319	1				
26.	Battery Cover (Clamp) N/A	H2836-9369	1				
27.	Cowling	H2836-2219	1				
28.	Cowling Cover N/A	H2836-2519	1				
29.	Rear Wing N/A	H2836-2389	1				
30.	Rear Bumper N/A	H2836-2379	1				
31.	Struts (Left & Right)	C0530-9019	1				

N/A = Not

**Bold and Underlined parts are to be purchased and installed by Service Centers only. These items may not be sold directly to consumers by Service Centers or Fisher-Price.**