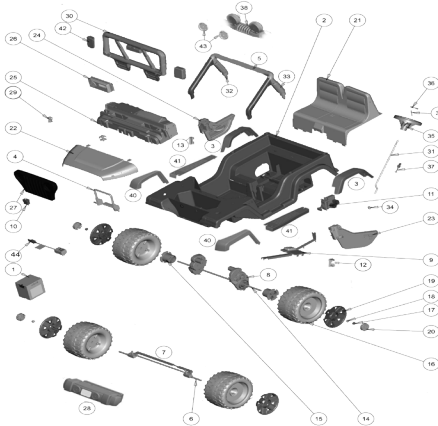


FLC45

Disney Princess Jeep Wrangler
Advanced Series

Age Range:	3 years and up
Weight Limit:	130 lbs.
Surfaces:	Grass/Hard Surfaces
Speed:	2.5 mph For/ Low/Rev 5.0 mph Forward
Colors:	Pink Body/Black Wheels
Intro:	2018
Suggested Retail:	\$291.20
Box Dimensions:	11.5" L x 25.5" W x 54" H
Warranty:	One Year Vehicle Six Months Battery



Item	Part #	Description	QTY	Item	Part #	Description	QTY
1	00801-1869	12 Volt Battery (gray) (1)	1	30	3900-3330	Windshield for Dora Jeep (CDD17) (purple)	1
2	N/A	Body	1	31	3900-2680	Steering Column for Jeep (BCK86)	1
3	3900-6560	Rear Fender Bag (left & right) for FLC45	1	32	3900-2830	Rollbar Support Right (CDD17) (purple)	1
4	3900-7809	Battery Retainer	1	33	3900-2829	Rollbar Support Left (CDD17)(purple)	1
5	3900-3228	Rollbar for Jeep (CDD17) (purple)	1	34	00801-1620	Steering Column Cap (Fastener .354) Blk.	1
6	3900-4208	Front Axle for Jeep (DRH62)	2	35	3900-3159	Steering Wheel for (CDD17) Jeep (pink)	1
7	CBG65-9199	Steering Linkage for Jeep	1	36	3900-3168	Steering Wheel Cap/Button (CDD17) (pink)	1
8	<u>3900-3187</u>	<u>Motor Gearbox Assembly 23T</u>	<u>2</u>	37	3900-5424	Key for WW Jeep (DNJ66) (silver)	1
9	3900-6846	Footboard Assembly Jeep FLC45	1	38	3900-3233	Light Bar (front & back) (CDD17)(purple)	1
10	<u>00801-2039</u>	<u>Footswitch - (plunger type)</u>	<u>1</u>	39	00801-1565	5/32" x 1 1/2" Pin	1
11	Y8409-9249	Shifter for Jeep (silver)	1	40	3900-6551	Front Fender Bag (left & right) for FLC4	1
12	3900-6550	Door Hinge Bag (left & right) for FLC45	1	41	3900-6559	Running Board Set (left & right) FLC45	1
13	See #12	See #12	1	42	3900-3184	Mirror Bag (left & right)(CDD17) purple	1
14	3900-2679	Rear Axle for Jeep	1	43	3900-6850	Light Bar Caps for Jeep FLC45	1
15	L2170-2249	Wheel Driver (black)	2	44	00801-1778	12 Volt Charger w/Probe	1
16	BCK85-2659	Wheel for Jeep (black)	4			Parts Not Shown	
17	00905-0116	3/8" -16 Lock Nut	4			Description	QTY
18	74770-2539	Round Bushing (white)(frt. wheel)	2			<u>7R Gearbox (21-22-23)</u>	<u>2</u>
19	3900-6861	Hubcap Center for Jeep FYW75 (white)	4			<u>Motor Pinion Assembly (23T)</u>	<u>2</u>
20	3900-6554	Hubcap for Jeep FLC45	4			Hardware Bag for Jeep (CDD17)	1
21	3900-3165	Seat for Jeep (CDD17) (pink)	1			Parts Bag for Jeep FLC45	1
22	3900-6297	Hood for Jeep FLC45	1			Label Sheet for Jeep FLC45	1
23	3900-6847	Left Door for Jeep FLC45	1			<u>00801-1773</u>	<u>2</u>
24	3900-6848	Right Door for Jeep FLC45	1			<u>BCK85-9799</u>	<u>1</u>
25	3900-6549	Dash for Jeep FLC45 (pink)	1			<u>Control Switch F/R - w/white buttons</u>	<u>2</u>
26	3900-6558	Soundbox for Jeep FLC45	1			<u>Wiring Harness for Jeep</u>	<u>1</u>
27	3900-6552	Grille for Jeep FLC45	1			0801-0196	7/16" Washer
28	3900-3163	Front Bumper for Jeep (CDD17) (purple)	1			0801-1567	Wrench 9/16" (Assembly Tool)
29	3900-6553	Hood Latch for Jeep FLC45	2			0801-1503	PW Emblem
						3900-6562	Manual for Jeep FLC45
						3900-7769	Front Axle Spring for Jeep GWX91

Bold and underlined parts are to be purchased and installed by Service Centers only. These items may not be sold directly to consumers by Service Centers or Fisher-Price.