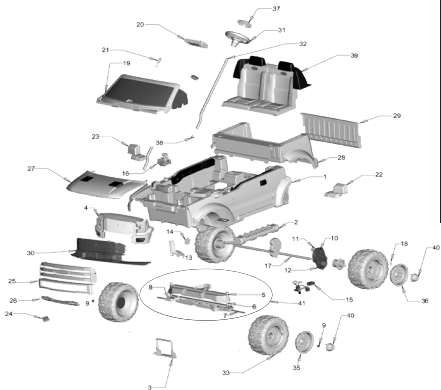


DMM94
Ford F150 Raptor
PW Advanced

Age Range:	3 and up
Weight Limit:	130 Lbs
Surfaces:	Monster Traction
Speed:	2.5 and 5 MPH Forward 2.5 MPH Reverse
Colors:	White Body/Black Wheels
Intro:	2017
Suggested Retail:	\$397.60
Box Dimensions:	36" L x 26" W x 60" H
Warranty:	One Year Vehicle Six Months Battery



Item	Part #	Description	QTY	Item	Part #	Description	QTY
1	N/A	Body	1	29	3900-5789	Tailgate for Ford F150 Raptor (DMM94)	1
2	W0030-2729	Step Bar (black) for Ford F-150	2	30	BJM25-9909	Front Bumper w/Logo for F150 (black)	1
3	3800-7809	Battery Retainer	1	31	K8285-9069	Steering Wheel for Ford F-150 (black)	1
4	3900-5781	Front End w/Lights for F150 (DMM94)	1	32	CDF54-4009	Steering Column for F150	1
5	<u>See # 41</u>	Bushing for Ford F-150	33	33	J4394-2529	Wheel for Hurricane Jeep (black)	4
6	<u>See # 41</u>	Crossbar for Ford F-150	35	35	3900-5519	Front Rim Set for Ford F150 (FJJ63) (blk)	1
7	<u>See # 41</u>	Front Axle for Ford F-150	36	36	3900-5517	Rear Rims (inner & outer) FJJ63 (black)	1
8	<u>See # 41</u>	Steering Linkage for F150	37	37	K8285-2199	Steering Wheel Cover for Ford F-150	1
9	00801-1621	Cap (retainer .437) (blk)	4	38	J4394-2149	Steering Column Cap/Rear Axle Cap (.750)	3
10	<u>00968-2928</u>	#7R Motor Gearbox Assembly	2	39	3900-5787	Seat w/Headrests for Ford F150 Raptor	1
11	<u>00968-2713</u>	# 7R Motor Pinion	2	40	3900-5518	Hubcap for Ford F150 (FJJ63) (black)	4
12	<u>00968-2823</u>	# 7R Gearbox (15-16-17)	2	41	<u>3900-3858</u>	Front Module Assembly for Ford F150	1
13	3900-5780	Footboard Assembly for Ford F150 Raptor	1	Parts Not Shown			
14	<u>00801-2039</u>	Footswitch - (plunger type)	1	Description			
15	<u>3900-4051</u>	Wiring Harness for F-150 (CDF54)	1	Part #	Description		QTY
16	3900-5516	Shifter for Ford F150 Raptor (DMM94)	1	3900-5785	Manual for Ford F150 Raptor		1
17	CDF54-4519	Rear Axle for F150	1	3900-5784	Label Sheet for Ford F150 DMM94		1
18	J4394-2149	Steering Column Cap/Rear Axle Cap (.750)	3	3900-5523	Parts Bag for Ford F150 (FJJ63)		1
19	3900-6276	Windshield/Dash/Soundbox for (DMM94)	1	3900-3031	Hardware Bag for F150 (CDF54)		1
20	3900-6277	Soundbox for Ford F150 (DMM94)	1	<u>00801-1775</u>	Switch Control - (shifter/rocker type)		2
21	X6647-9049	Key for Ford Raptor	1	00801-1661	Battery 12v 9.5Ah (Orange Top)		1
22	3900-5786	Mirror Set for Ford F150 Raptor (black)	1	00801-1778	12 Volt Charger w/Probe		1
23	<u>See # 22</u>	<u>See # 22</u>		3900-5463	Seatbelt Set		2
24	3900-5426	Large PW Emblem	1	3900-5515	Door Handle for Ford F150 (black)		2
25	3900-5548	Grille for Ford F150 (FJJ63) (black)	1	M9779-2719	Console Cover for F150 (black)		1
26	BJM25-2049	Grille Support for F150 (black)	1	BJM25-6999	Bumper Trim (Chrome) for F150		1
27	3900-5783	Hood w/Louvers for Ford F150 Raptor	1	00801-1701	.25" x 2.85" Pin for Ford F-150		1
28	N/A	Truck Bed		3900-7024	Bead Lock w/screws for FJJ63		4

Bold and underlined parts are to be purchased and installed by Service Centers only. These items may not be sold directly to consumers by

Service Centers or Fisher-Price.

Service Bulletin 2011