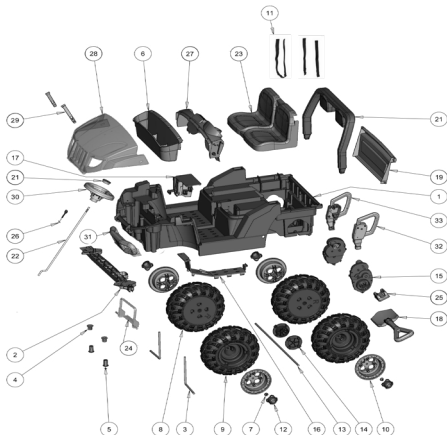


CCG93

Artic Cat Pink

PW Advanced Series

Age Range:	3 and up
Weight Limit:	130 lbs.
Surfaces:	Hard and grass surfaces
Speed:	2.5 / 5 mph Forward 2.5 mph Reverse
Colors:	Pink Body/Black Wheels
Intro:	2014
Suggested Retail:	\$340.26
Box Dimensions:	23.374"x32.374"x50.433
Warranty:	One Year Vehicle Six Months Battery



Item	Part #	Description	QTY	Item	Part #	Description	QTY
1	N/A	Body	25	W8675-6559	Shovel Bracket	1	
2	W8675-9199	Steering Linkage	1	H0440-9049	Key Housing Assembly	1	
3	L2170-4509	Front Axle	2	CCG93-2349	Dash for Arctic Cat (Purple)	1	
4	L2170-2689	Bushing - Upper	2	3900-2435	Hood w/Lights & Straps	1	
5	L2170-2699	Bushing - Lower	2	L2170-2289	Hood Strap	2	
6	CCG93-2269	Storage Tray for Arctic Cat	1	3900-2945	Steering Wheel w/Button for Arctic Cat	1	
7	00801-1939	Cap Nut. 437 - Black	6	CCG93-2459	Brushguard for Arctic Cat (purple)	1	
8	J8472-2339	Left Wheel	2	W8675-2609	Left Handle (black)	1	
9	J8472-2269	Right Wheel	2	W8675-2619	Right Handle (black)	1	
10	J8472-2459	Hubcap for KFX	4				
11	00801-2084	Seatbelt (black)	2				
12	CCG93-2469	Hubcap Center for Arctic Cat	4				
13	L2170-4519	Rear Axle	1	Part #	Description	QTY	
14	L2170-2249	Wheel Driver	2	00801-1778	12 Volt Charger w/Probe	1	
<u>15</u>	<u>00968-2928</u>	<u># 7R Motor Gearbox Assembly</u>	<u>2</u>	00801-1869	12 Volt Battery (1)	1	
16	L2170-9399	Footboard for Arctic Cat	1	<u>00801-1775</u>	<u># 7R Motor Pinion</u>	<u>2</u>	
17	74310-9239	Shifter Assm. - silver	1	<u>00968-2823</u>	<u># 7R Gearbox</u>	<u>2</u>	
18	CCG93-2449	Shovel for Arctic Cat	1	<u>X0073-9799</u>	<u>Wiring Harness for Arctic Cat</u>	<u>1</u>	
19	CCG93-2319	Tailgate for Arctic Cat	1	<u>00801-1775</u>	<u>Switch Control - (shifter/rocker type)</u>	<u>2</u>	
20	CCG93-2329	Sportbar for Arctic Cat	1	<u>00801-2039</u>	<u>Footswitch - (plunger type)</u>	<u>1</u>	
21	CCG93-2749	Steering Wheel Button	1	CCG93-0720	Manual for Arctic Cat	1	
22	L2170-4239	Steering Column for Arctic Cat Prowler	1	0912-8001	(1) # 8 x 3/4 inch screw.	20	
23	CCG93-2409	Seat for Arctic Cat	1	3900-1334	Hardware Bag	1	
24	3800-7809	Battery Retainer	1	CCG93-9249	Parts Bag for Arctic Cat	1	
				CCG93-0310A	Label Sheet for Arctic Cat	1	

Bold and underlined parts are to be purchased and installed by Service Centers only. These items may not be sold directly to consumers by Service Centers or Fisher-Price.