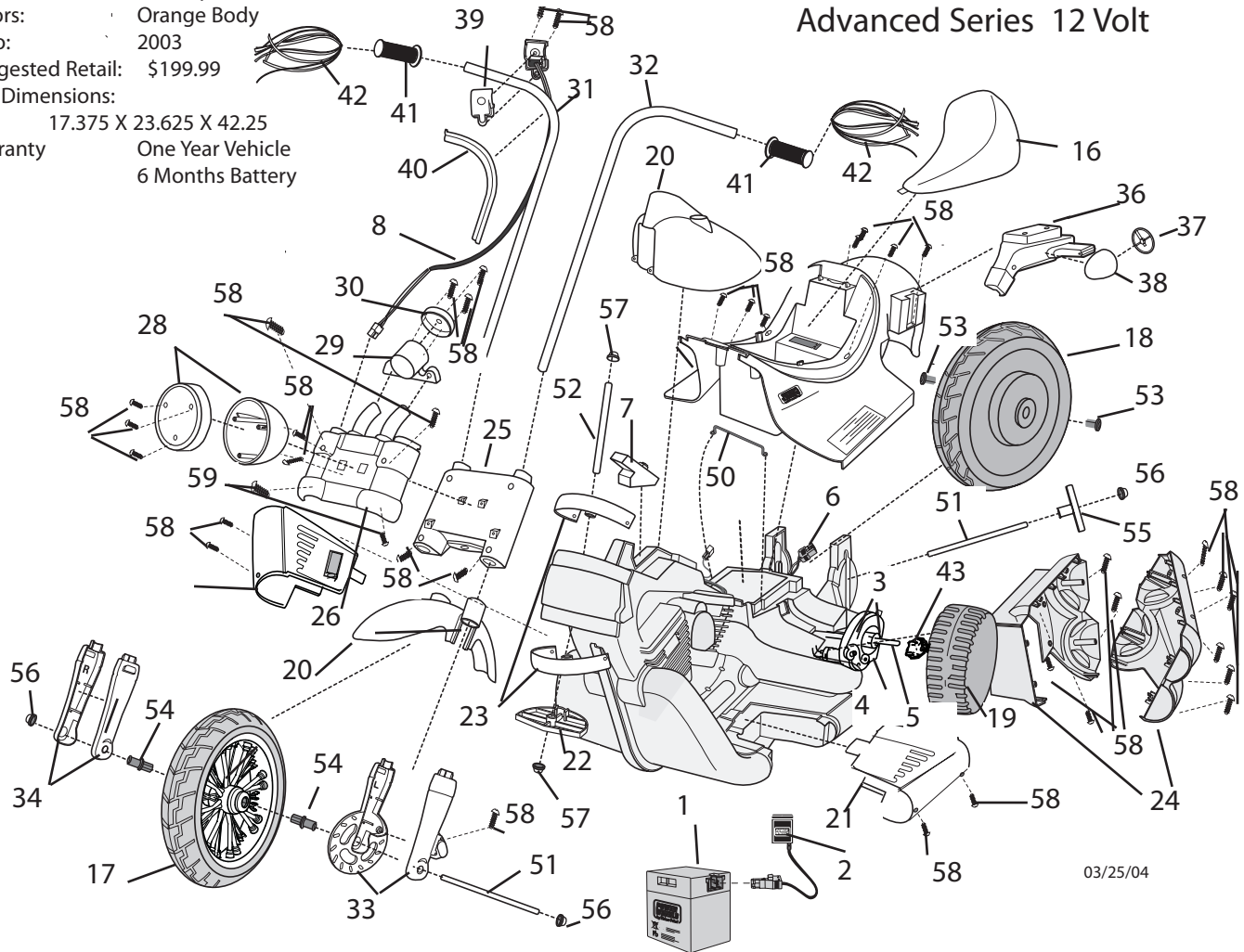


Age Range: 3 and up  
 Weight Limit: 65 lbs  
 Surfaces: Grass/Asphalt & Hard surfaces  
 Speed: 2 1/2 mph  
 Forward/Reverse and 5 mph Forward  
 Colors: Orange Body  
 Intro: 2003  
 Suggested Retail: \$199.99  
 Box Dimensions: 17.375 X 23.625 X 42.25  
 Warranty: One Year Vehicle  
 6 Months Battery



# B3160 Harley Davidson

Advanced Series 12 Volt



03/25/04

Item No.	Description	Part No.	Qty.	Item No.	Description	Part No.	Qty.	Item No.	Description	Part No.	Qty.	
<b>Working / Electrical Parts</b>				<b>Hardware / Metal Parts</b>								
1.	Battery	00801-0638	1	22.	Steering Stop	74370-2369	1	50.	Battery Clamp (retainer)	74290-4419	1	
2.	Charger w/probe	00801-0972	1	23.	Steering Bushing	74370-2359	2	51.	Wheel Axle	74290-4519	2	
3.	Motor Gearbox Assembly	00968-2901	2	24.	Exhaust Set(inner/outer)	3800-6698	1	52.	Fork Axle	74290-4529	1	
4.	Gearbox W/out Motor	00968-2801	2	25.	Front Fork	B3160-2349	1	53.	Hex Bushing	73233-2559	2	
5.	Motor Pinion Assembly	74290-9539	2	26.	Front Fork Cover	B3160-2669	1	54.	Bushing w/Extension	73600-2459	2	
6.	Main Harness Assembly	74287-9799	1	<b>28Headlight Assembly (includes headlight housing and headlight lens</b>			3160-9279	1	55.	Axle Bearing (Bushing)	74370-2379	2
7.	Sound Box	74290-9559	1	29.	Tachometer Housing w/cover	B3160-8400	1	56.	.437 Cap Nut	0801-0226	4	
8.	Handlebar Harness	B3160-9759	1	30.	Tachometer Cover	B3160-2659	1	57.	.354 Cap Nut	0801-0604	2	
9.	Right Ftbd w/switch	74370-9239	1	31.	Right Handlebar	B3160-4029	1	58.	# 8 X 3/4 Plastite Screw	0912-8001	57	
<b>Plastic / Other Parts</b>				32.	Left Handlebar	B3160-4019	1	59.	# 8 X 1 1/2" Screw	0801-0202	2	
15.	Body	N/A		33.	Left Shock Set	B3160-9329	1	<b>Parts Not Shown</b>				
16.	Seat	74290-2309	1	34.	Right Shock Set	B3160-9339	1	Large Parts Bag	B3160-9249	1		
17.	Front Wheel	B3160-9159	1	36.	Left Strut	B3160-2619	1	Small Parts Bag	B3160-9090D	1		
18.	Rear Wheel	B3160-2259	1	37.	Signal Lens	B3160-2639	2	Hardware Bag	B3160-9369	1		
19.	Drive Wheel	74290-2269	2	38.	Signal Housing	B3160-2629	2	Drive Wheel Axle	74290-4509	1		
20.	Fender/Gas Tank Bag	3800-7121	1	39.	Switch Cover	B3160-2429	1	Decal Sheet	B3160-0310	1		
21.	Left Footboard	74370-2249	1	40.	Wire Cover	B3160-2439	1	Manual	B3160-0920	1		
N/A = Not Available				41.	Handgrip	74290-2399	2	Right Strut	B3160-2609	1		
				42.	Tassel	B3160-2679	2	PIC Switch, pushbutton	00801-1198	1		
				43.	Driver	73233-2239	2					

**Bold and Underlined parts are to be purchased and installed by Service Centers only. These items may not be sold directly to consumers by Service Centers or Fisher-Price.**