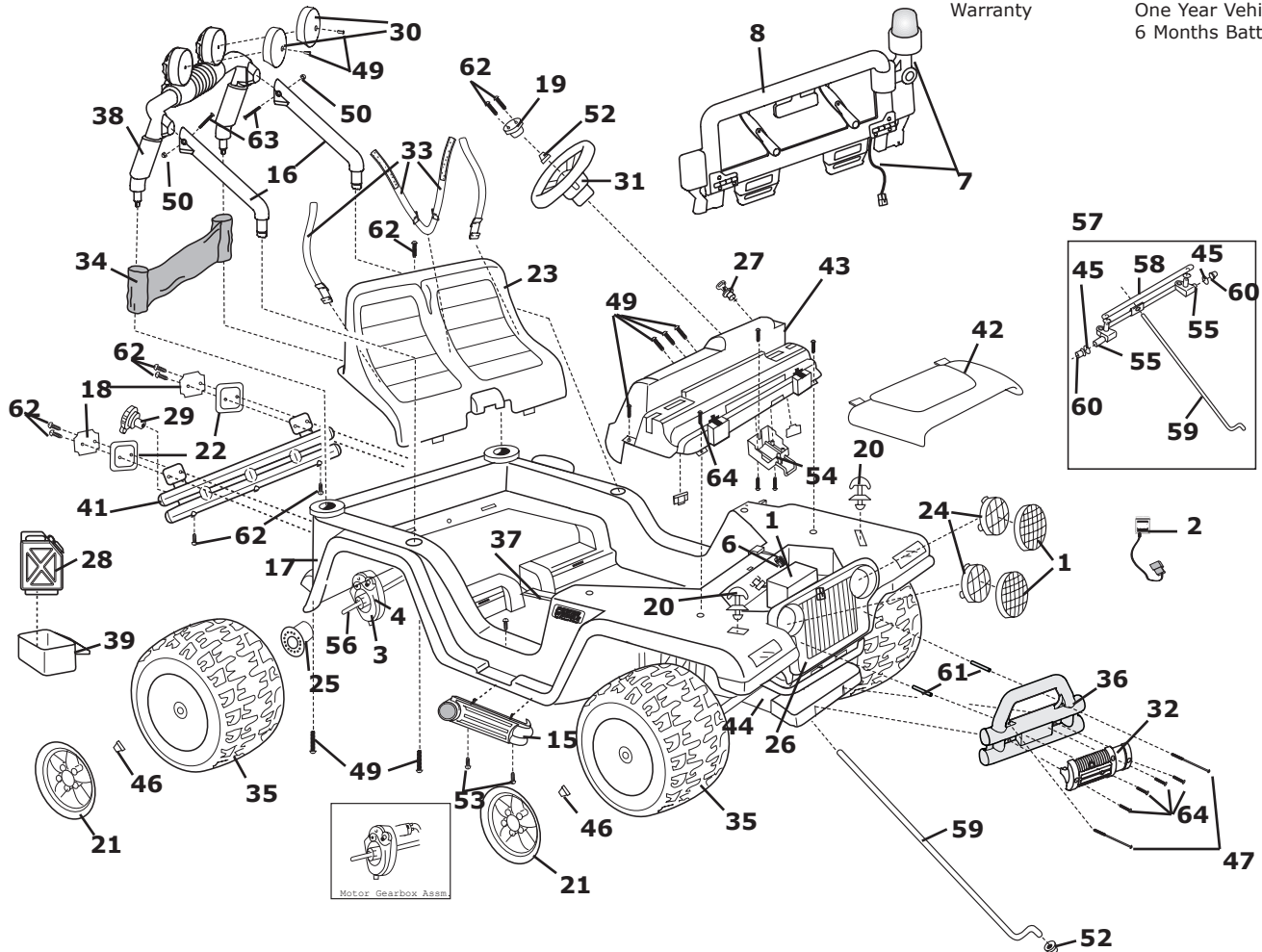


B2489

Barbie Beach Ranger
Advanced Series
12 Volt



Age Range: 3-7 years
Weight Limit: 130 lbs
Surfaces: Hard and Grass
Speed: 2.5/5.0 mph for ward. 2.5 reverse
Colors: Purple and Pink
Intro: 2003
Suggested Retail: \$299.99
Box Dimensions: 20.75 x 33.75 x 44.75
Warranty: One Year Vehicle
6 Months Battery



Item No.	Description	Part No.	Qty. Item	Part	No. Qty.	Description	No.
Working / Electrical Parts							
1	Battery 12V	00801-0638	1				
2	Fuse Charger w/Probe	00801-0972	1				
3	Motor Gearbox Assembly	00968-2909	2				
4	Gearbox W/out Motor	00968-2805	2				
5	Motor Pinion Assembly	00968-2701	2				
6	Main Harness Assembly	78490-9699	1				
7	Light Assm	B0155-9479	1				
8	Windshield and Light Assm.	B2489-9609D	1				
Plastic / Other Parts							
15	Side Pipe, Left and right	B2489-9049D	1				
16	Roll Bar Support	B2489-2379	2				
17	Body	N/A	1				
18	Tailight lens set	B2489-2479	1				
19	Steering wheel button	73610-2729	1				
20	Hoodlatch-yellow	73610-9559	2				
21	Hubcap	74440-2579	4				
22	Tailight housing set	78478-2759	1				
23	Seat-white	78477-2309	1				
24	Headlight lens	74450-2279	2				
25	Driver	76960-2249	2				
26	Grill	78478-2849	2				
27	Key Housing Assm White	78478-9369	1				
28	Water Can and Cap	78608-2239	1				
29	Gas cap	B2489-2089	1				
Hardware / Metal Parts							
30	KC Light Cover	B2489-2169	1				
31	Steering Wheel	B2489-2359	1				
32	Winch	B2489-2649	1				
33	Seat Belt	B2489-5339	1				
34	Canopy	B2489-9529	1				
35	Wheels	B2489-2459	4				
36	Brushguard	B2489-2789	1				
37	Channel Cover	B2489-2289	1				
38	Rollbar	B2489-2219	1				
39	Water Bottle Holder	B2489-2149	1				
41	Rear Bumper	B2489-2039	1				
42	Hood	3800-7137	1				
43	Dash with Radio	B2489-9710D	1				
44	Front Module	B2489-2019	1				
45	7/16 Washer	0801-0196	2				
46	.437 Cap nut-white	0801-0227	4				
47	Trusshead screw	0801-0228	2				
49	10 1/2 Screw	0801-0255	11				
50	Lock nut	0801-0601	2				
52	Retainer-red	0801-0960	2				
53	8 x 3/4 screw	0912-8001	6				
54	Battery retainer box	74020-9819	1				
55	Front axle	74440-4509	2				
56	Rear axle	74440-4519	1				
57	Linkage assembly	74440-9419A	1				
58	Crossbar	74460-4419	1				
59	Steering Column	74526-4129	1				
60	7/16 Round Bushing Black	74550-2689	2				
61	Brushguard Spacer	78477-2069	2				
62	8 x 1 Screw	0912-8003	9				
63	8-32 x1.625 Screw	(order hardware bag)					2
64	10 x 1 Screw	0801-0220	9				
Parts Not Shown							
	Mirror Label	B2489-0320	2				
	Large Parts Bag	B2489-9269	1				
	Small Parts Bag	B2489-9259	1				
	Hardware Bag	B2489-9249	1				
	Sound Unit	B2489-9419	1				
	Wire clip	0801-0313	2				
	Manual	B2489-0920	1				
	Label Sheet	B2489-0310	1				
	PW Emblem	74460-9069	2				
	Rear Module	B2489-2029	1				
	Footboard Switch	00801-0933	1				
	Switch Control (Shift-Rock)	00801-0923	1				
	Footboard Assembly	N/A	1				
	Shifter Assembly	78478-9239	1				

N/A = Not

Bold and Underlined parts are to be purchased and installed by Service Centers only. These items may not be sold directly to consumers by Service Centers or Fisher-Price.

Rev 8/14/07