

IKOHS Netbot LS22 Robot Vacuum Cleaner with WiFi Connection and Mapping System User Manual



[Home](#) » [IKOHS](#) » IKOHS Netbot LS22 Robot Vacuum Cleaner with WiFi Connection and Mapping System User Manual 

CREATE

Contents [[hide](#)]

- [1 IKOHS Netbot LS22 Robot Vacuum Cleaner with WiFi Connection and Mapping System](#)
- [2 SAFETY INSTRUCTIONS](#)
- [3 QUICKSTART](#)
- [4 PARTS LIST](#)
- [5 INSTALLING THE HOME BASE](#)
- [6 INSTALLING THE WATER TANK](#)
- [7 OPERATING INSTRUCTIONS](#)
- [8 MODES](#)
- [9 CLEANING AND MAINTENANCE](#)
- [10 TROUBLESHOOTING](#)
- [11 Documents / Resources](#)
- [12 Related Posts](#)

IKOHS Netbot LS22 Robot Vacuum Cleaner with WiFi Connection and Mapping System



WELCOME

Thank you for choosing our robot vacuum cleaner. Before using the appliance, and to ensure the best use, carefully read these instructions. The safety precautions enclosed herein reduce the risk of death, injury and electrical shock when correctly adhered to. Keep the manual in a safe place for future reference, along with the completed warranty card, purchase receipt and package. If applicable, pass these instructions on to the next owner of the appliance. Always follow basic safety precautions and accident-prevention measures when using an electrical appliance. We assume no liability for customer failing to comply with these requirements.

SAFETY INSTRUCTIONS

When using any electrical appliance, basic safety precautions should always be observed.

- Do not use outdoors or for commercial purposes. This appliance is intended for household use only. Using the robot Hoover for commercial purposes will void the warranty.
- The operating temperature of the product ranges from 0°C to 40°C, do not use it in environments that surpass the maximum recommended temperature.
- Before using the product, please remove all fragile items, such as lamps, from the floor. Remove all wires and curtains that may get tangled with the side brush and obstruct the suction passages.
- Do not use the appliance to Hoover liquids.
- Do not place objects, children or pets on top of the robot.
- During cleaning, please pay attention to the safety of animals, toddlers and elders to avoid tripping. Do not touch the wheel or side brush to avoid injury.
- Children should be supervised to ensure that they do not play with the appliance. Do not allow children to operate, clean or maintain the appliance.
- This appliance can be used by children and persons with reduced physical, sensory or mental capabilities or lack of experience and knowledge if they have been given supervision or instruction concerning use of the appliance in a safe way and understand the hazards involved.
- Do not place the robot upside down as it may damage the laser radar.
- Do not use the appliance to vacuum hard, sharp objects such as needles, drawing pins or coins.
- Do not use the appliance to Hoover hot items such as lighted matches, cigarette ends or hot ashes.
- Only clean and maintain the robot if it's turned off.
- Do not use the laser radar protective cover as a handle to move the device.
- Do not use the product to clean shag carpets. The robot might have some trouble cleaning dark carpets.
- Do not clean or submerge the main body and electronic accessories in water to avoid causing a short circuit and damaging the product.
- When the metallic part on the power plug is dusty, please wipe it with a dry cloth.
- If the robot's temperature is too high or too low, please wait until the temperature becomes normal before using it again. Do not use this appliance in areas (e.g. duplex floor, balcony, on top of furniture) not equipped with guardrails. To avoid damaging the product, do not heat, pull, bend or load weight onto the product.
- Do not use the product in an environment where there's risk of fire or explosion.
- Do not stand or sit on this product; doing so could damage the product.
- Do not touch the product with wet hands as it can cause an electric shock.
- Please, do not place the product in places where it could easily fall, such as on tables, chairs, high surfaces, etc. Protect the appliance from long-term exposure to direct sunlight.
- Do not use in humid environments, such as in the bathroom.
- Turn off the power switch on the side of the robot if the product is not going to be used for a long time. Carefully

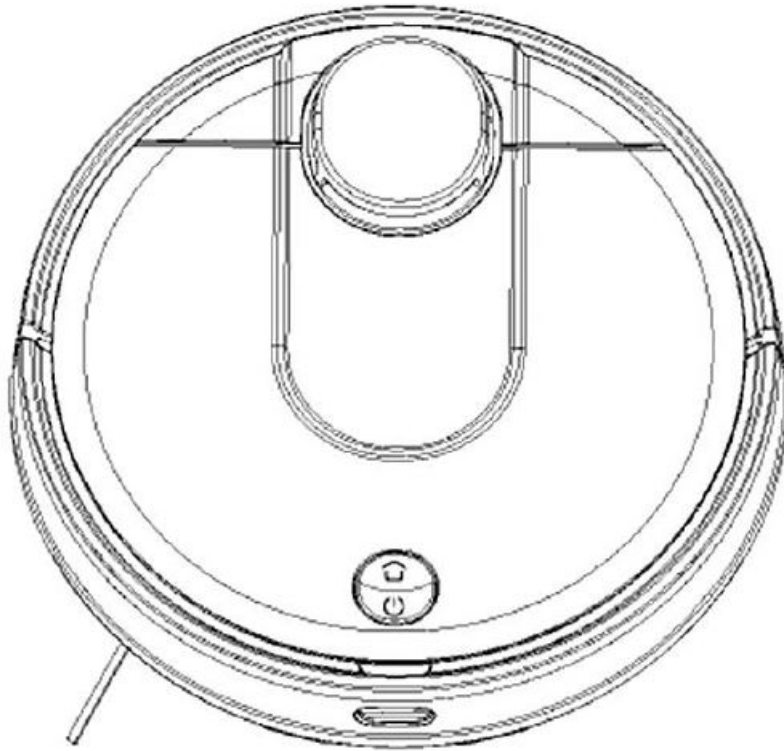
check to see If the power adapter is connected to the socket prior to its use, to avoid damage to the robot After each use, empty the bin and clean the filter.

- Please, do not use the product to clean construction waste.

Battery Warnings

- Do not place the home base near heat sources.
- Do not use any chargers other than that provided by the manufacturer.
- Do not use non-rechargeable batteries.
- If you are not going to use your robot for an extended period of time, remove the battery and store it in a dry cool place, to make the most out of the battery life.
- Do not attempt to disassemble the battery pack or the main unit; doing so may cause battery rupture and electrolyte leakage, leading to an explosion or other dangers.
- Always transport the appliance turned off and in its original packaging.
- The battery must be removed from the appliance before it is thrown away.
- The appliance must be disconnected from the mains when removing the battery.
- Before the product is disposed of, please remove the battery from the robot. When you remove the battery, please ensure that the product is not connected to a power supply. Please recycle the battery safely to protect the environment.
- The laser radar of this product complies with the requirements of IEC 60825-1 :2014 on the safety of Class 1 laser products; it will not produce laser radiation harmful to human health.
- Do not allow metal objects to come into contact with the battery to avoid short-circuiting.
- Do not transport or store with metal objects.
- Do not burn or heat-up the battery.
- If you notice abnormal overheating during charging, stop use immediately.
- If you notice any abnormalities (e.g. discolouration or deformation) stop using it immediately.
- Always use tape to insulate the battery's electrode when recycling or disposing of it.
- If skin or clothing is exposed to the battery's electrolyte, immediately wash with clean water to avoid skin inflammation, etc.
- Do not use the rechargeable battery on other devices. This battery is only suitable for this robot.
- If the battery's outer box is found to be deformed and expanded, or leakage of electrolytes is found, do not charge or continue to use the device to avoid danger.
- Do not throw or inflict a strong impact on the battery; doing so may cause leakage, heating or rupture.
- Do not disassemble the battery pack; doing so may cause battery rupture and electrolyte leakage, leading to an explosion or other dangers.
- This appliance contains batteries that can only be replaced by qualified personnel.
- For the purposes of recharging the battery, only use the detachable supply unit provided with this appliance. The power supply must be removed from the socket-outlet before cleaning or maintaining the appliance.

QUICKSTART



Intelligent recharging

- U Short press to start Intelligent recharging.

Startup and shut down general cleaning

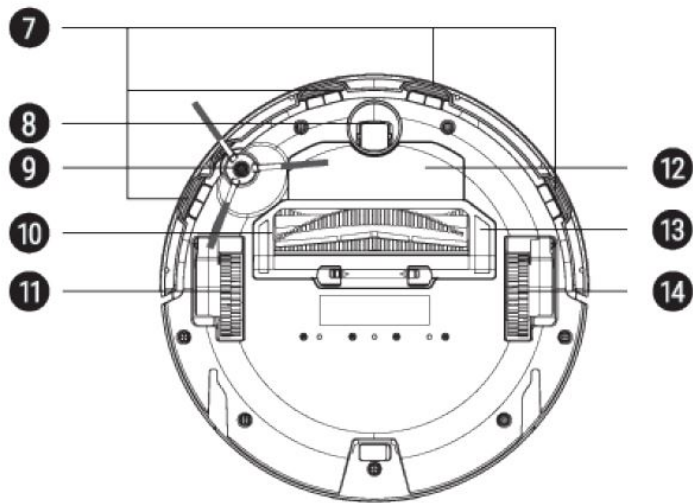
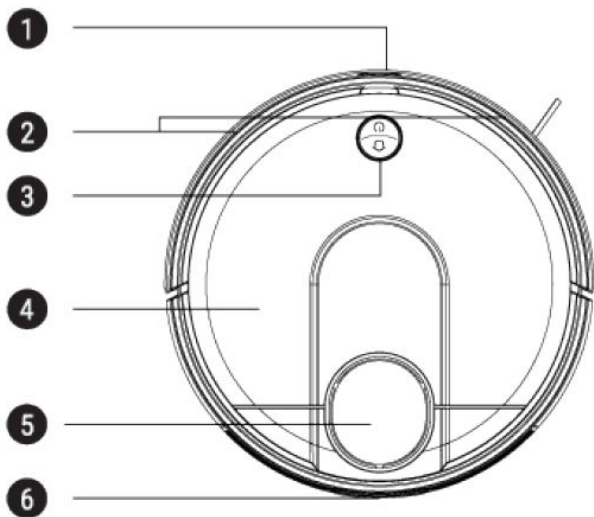
- Short press to start to stop cleaning.
- Press and hold for 3 seconds to turn on/turn off the robot.

Network configuration

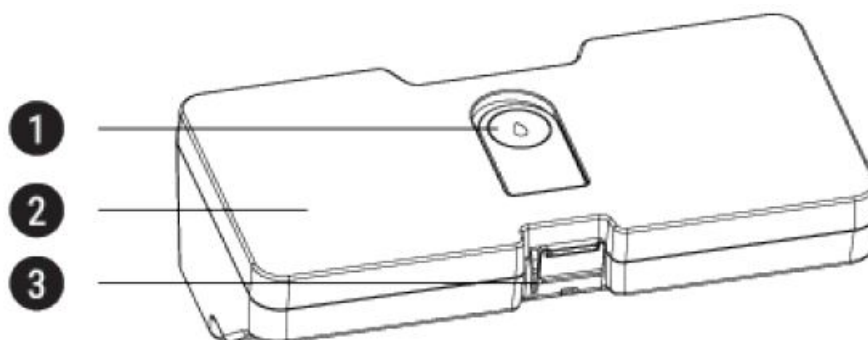
- Press and hold D and <-0 for 3 seconds to enter network configuration.

—	Green steady light Working mode
• • •	Yellow light blinks slowly: Return to home base/low battery
~	Yellow light dims and turns back on: Charging
~	Greenlight blinks slowly: Network configuration mode
• • •	Greenlight dims and turns back on: Starting up/Upgrading
~	Red light blinks fast: Error mode
• • • • •	

PARTS LIST

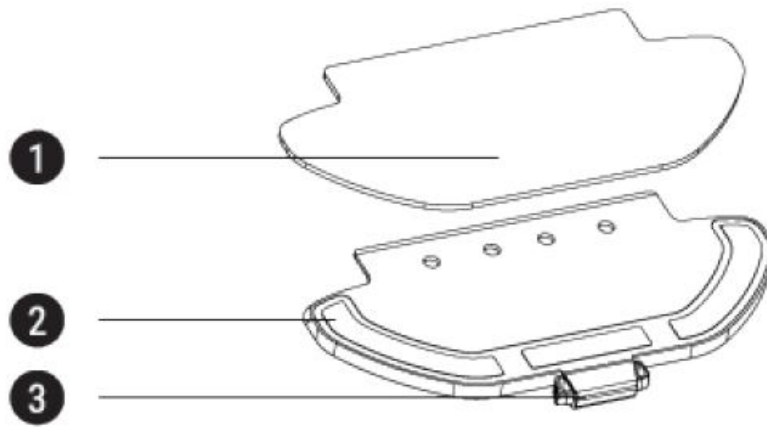


1. Infrared receiver
2. Collision sensors
3. Control button
4. Top cover
5. Laser radar
6. Charging electrode
7. Boundary sensor
8. Caster wheel
9. Side brush
10. Rolling brush
11. Left wheel
12. Battery
13. Motor cover
14. Right wheel



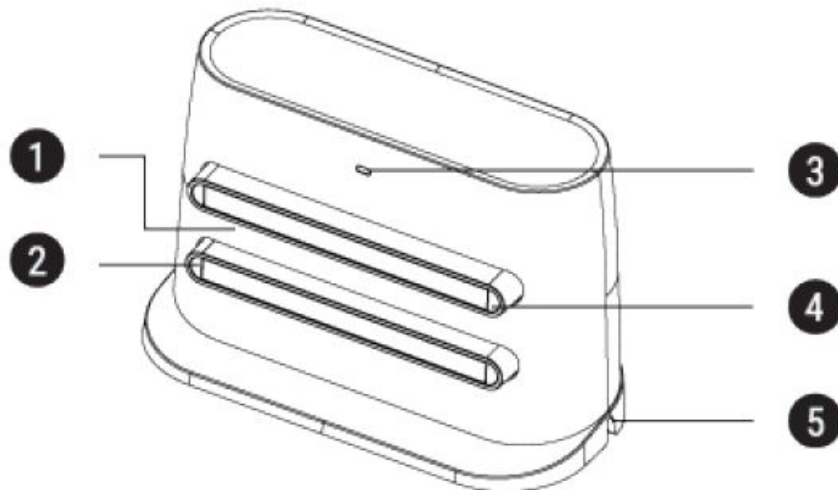
Water tank

1. Water inlet
2. Water tank
3. Release tab



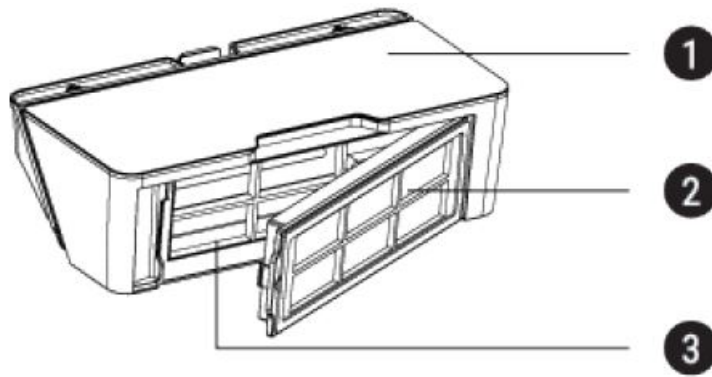
Mop accessory

- 1. Mop
- 2. Sticking surface
- 3. Release tab



Home base

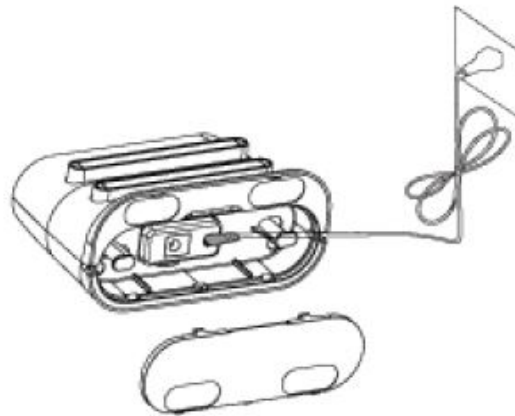
- 1. Signal receptor
- 2. Charging electrode
- 3. Charge indicator
- 4. Charging electrode
- 5. Cable slot



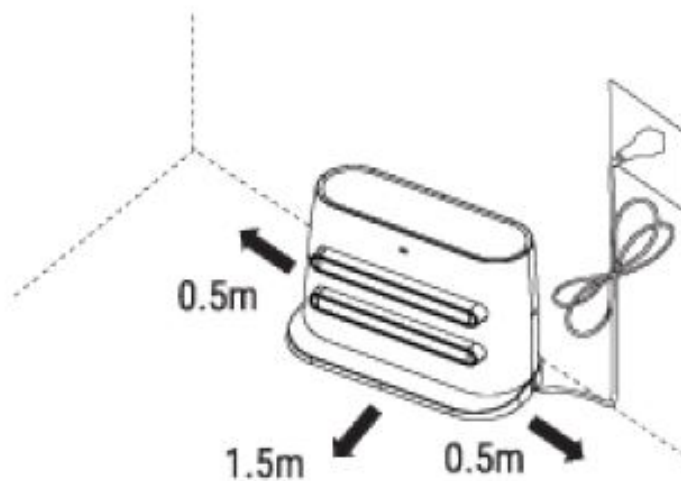
Dustbin accessory

1. Dustbin
2. HEPA Filter
3. Filter mesh

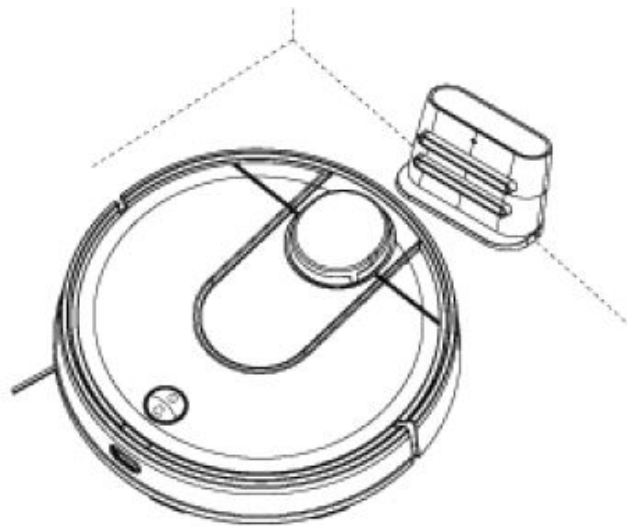
INSTALLING THE HOME BASE



1. Plug in the power cord and collect all of the remaining cable.
 - Put all of the remaining cable under the home base and through the cable slot to avoid tripping over it.



2. Place the home base flat against the wall respecting the safety distance (0.5m on each side and 1.5m in front).
 - Do not place any mirrors or other reflective objects within this distance and do not expose the home base to direct sunlight.

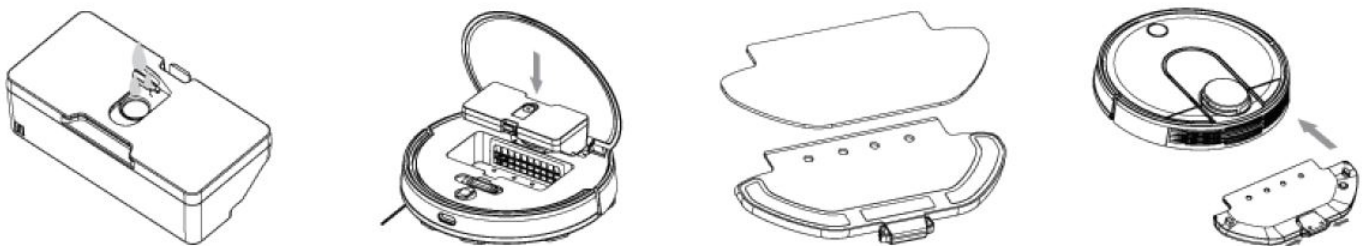


3. Press the (I) button and hold for three seconds. When the indicator light on the robot lights up, connect the robot to the home base.

- Steady green light Start up completed/ Charging completed.
- Yellow light dims and lights back up: Charging.
- Red light blinking: Error.

If the robot doesn't have enough battery it might not be able to start up or shut down. Please, connect the robot to the home base. The appliance will turn on automatically once it's connected to the home base. The robot cannot shut down while it is connected to the home base.

INSTALLING THE WATER TANK



1. Open the rubber plug on the water tank, fill it with some floor cleaner diluted in water and put the plug back in.
2. Fit the water tank into the robot (as shown in the image) and make sure the tab clicks.
3. Attach the mop to the mop accessory by sticking the mop to the velcro.
4. Push the tabs on both sides of the mop accessory (as shown in the picture) and fit the accessory to the robot.
 - Do not use the water tank in the first cleaning.
 - Do not use the water tank if the robot is unattended.
 - Remove the water tank assembly before charging the robot or leaving it idle.
 - Do not use the mop over carpets, please set virtual walls from the App.

OPERATING INSTRUCTIONS

Start-up/ Shutdown

The robot will automatically turn on while it's being charged on the home base. It cannot be shut down while it's charging. Press and hold the Power button. When the indicator lights up, a voice prompt will indicate you the robot is on. When the robot is stationary, press and hold the button until a voice prompt indicates you the robot is shut down.

Cleaning

1. Turn the robot on and press the Power button: The voice prompt will announce “Enter global cleaning”.
2. Press the Recharge button: The voice prompt will announce “Enter recharge mode”.
3. Click the “Start” button on the App’s home page: The voice prompt will announce “Enter global cleaning”.
4. Click the “Recharge” button on the App’s home page: The voice prompt will announce “Enter recharge mode”.

If the device has low battery it will not be able to perform the cleaning tasks.

Recharging

When the robot finishes cleaning, the voice prompt will announce “Cleaning is finished. Enter recharge mode”. The robot will return to the home base automatically. If the robot runs out of battery while it’s cleaning, it will automatically return to the home base. Once it’s fully charged it will resume cleaning from where it previously stopped. If the robot runs out of battery, it will shut down automatically. Please take the robot to the home base to charge it. Make sure that the charging electrodes are clean and in good condition.

LIGHT INDICATOR

- Light is off: the robot is either OFF or in “Sleep” mode.
- Green light blinks continuously: “Network configuration” .
- Green light dims and lights back up: “Start/upgrade” mode.
- Steady green light: “Idle/Standby/Cleaning/Pause” mode.
- Yellow light blinks slowly: “Low battery”.
- Yellow light dims and lights back up: “Charging”.
- Red light blinks fast: ‘Error/troubleshooting’.
- The green light on the home base comes on: The home base is “Working”.

NETWORK CONFIGURATION & FIRMWARE UPGRADE

To download the App, please refer to the QR code in this manual. You can upgrade your app directly from the App Store or Google Play. Please, make sure that when you upgrade it, the robot is charging and the battery level is over 60%. Once the robot is connected to the internet, you can use the App to remotely clean and schedule cleaning times. The robot does not support SG WiFi networks. App unbinding: Press the “Recharge” button for 5 seconds and release it when you hear a sound: then press it again for 5 seconds until the voice prompt announces “Initialization starts / Initialization successful”.

MODES

Pause

When the robot is working, press any button to pause, (⏸) to resume cleaning and Q to return to the home base.

Sleep

If the robot is idle for 5 minutes, it will automatically enter Sleep mode. To wake the robot up, simply press the button or use the App. The robot will not enter sleep mode while it’s charging on the home base. If the robot has been idle for 12 hours it will automatically shut down.

Fault

If there are any abnormalities during operation, the red light will blink fast and you will hear a voice prompt. Please refer to the Troubleshooting section. If the robot remains idle in this state for longer than 5 minutes, it will automatically enter Sleep mode. Refilling the water tank or emptying the dustbin First, pause the robot. Remove

the water tank and fill it or empty the dustbin, and put it back. Now press (_I) to resume cleaning.

Cleaning

With the app you can select between ECO, Standard and Strong modes. The default mode is Standard.

Do not disturb (DND)

In this mode, the robot will not respond to “Resume cleaning”, “Scheduled cleaning” or give voice prompts. DND mode is enabled during 22:00-07:00 by default. It can be disabled through the App.

Resume Cleaning

The robot will resume where it left off. If the robot runs out of battery while it’s cleaning, It will automatically return to the home base. Once it’s fully charged It will resume cleaning from where it previously stopped. If cleaning is manually ended during charging, the robot will cancel the cleaning tasks.

User-defined area

With the App you can define the areas you want the robot to clean.

Designated areas

Through the app you can designate a target position in the map. The robot will automatically plan the route to the designated position and start cleaning in 2”2 square areas.

Scheduled cleaning

With the App, you can schedule the cleaning. The robot will start cleaning at the designated time and automatically return to the charging dock after cleaning.

Virtual walls

With the App, you can set Virtual Walls to prevent the robot from entering certain areas.

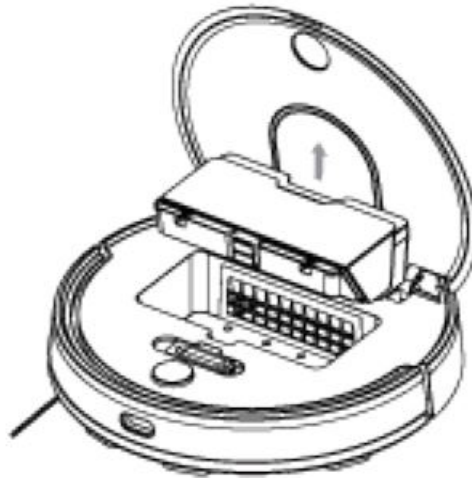
Map memorization

If the “Memorize Map” feature is enabled in the App, the robot will save the updated map and virtual walls after cleaning and successfully recharging.

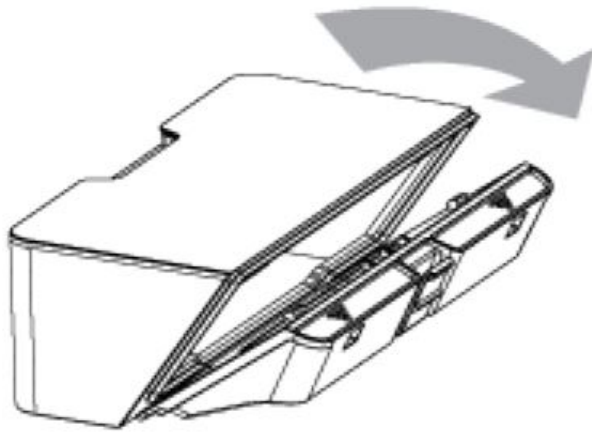
CLEANING AND MAINTENANCE

- The HEPA filter is not washable. Please replace it every three months.
- You can use the cleaning brush to regularly clean the HEPA filter in order to avoid blockage.
- Replace the side brush every three months to ensure optimal cleaning.

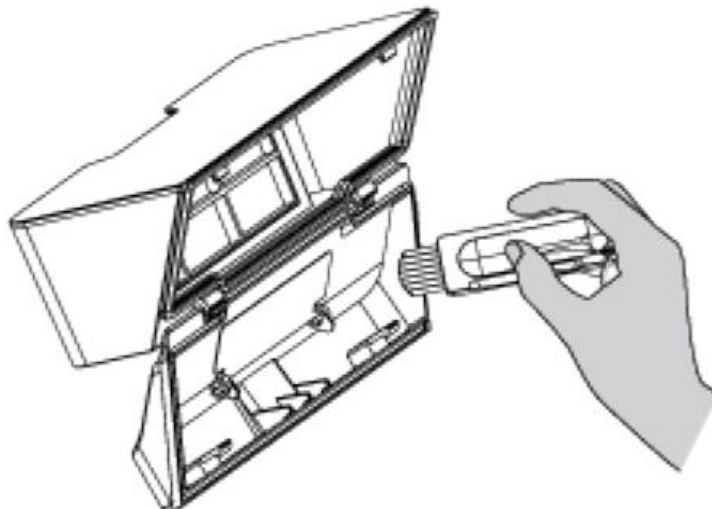
Dustbin



- Lift the top cover and take out the dustbin.



- Open the HEPA filter, take it out and empty it.

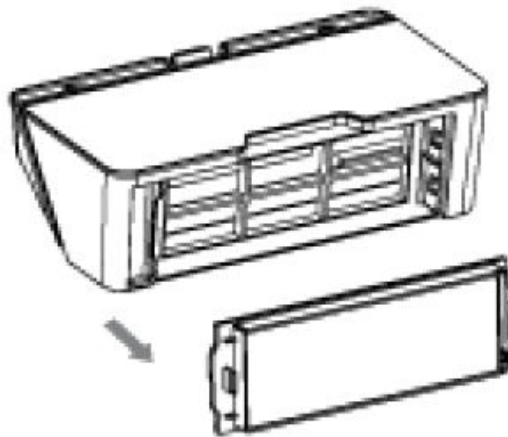


- Use the cleaning brush to clean the dustbin and reassemble the HEPA filter.



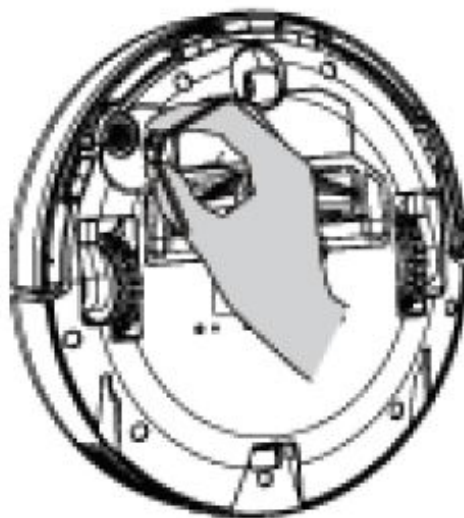
- Reinstall the dustbin and close the top cover.

HEPA filter



Remove the filter as shown in the image to clean it

Side brush



Remove and clean the side brush on a regular basis.

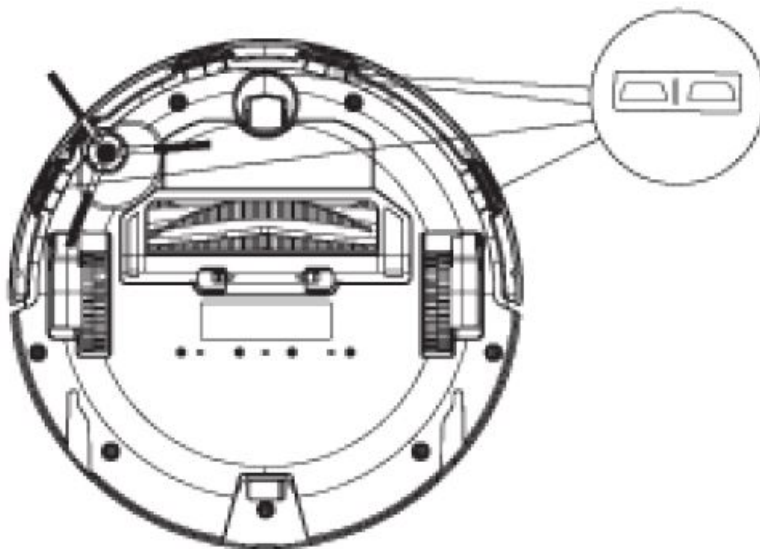
Rolling brush



1. Press the tab to remove the motor cover.
2. Take out the rolling brush and clean it thoroughly.
3. Reinstall the rolling brush and fasten the tab on the cover.

Note: Replace the rolling brush every 6-12 months to ensure optimal cleaning.

Boundary sensor




Regularly clean the boundary sensor with a soft cloth.

TROUBLESHOOTING

PROBLEM	CAUSE	SOLUTION

	The robot was manually brought to the home base.	Please reassign a cleaning task.
Charging failure.	The robot couldn't get to the home base.	Clear any objects around the home base area to allow enough space for the robot to go through.
	The contact pins/ the electrodes on the home base are dirty.	Please clean the charging pins and the electrodes.
Fail to do the scheduled cleaning.	The device is not connected to the network.	Please connect it so it can synchronize and perform the scheduled cleaning task.
The robot is always off-line.	The device is not connected to the network.	Please make sure the robot is connected to the network and in the range covered by the wi-fi signal.
Fail to pair the phone with the device.	There is bad Wi-Fi signal.	Please, reset the Wi-Fi and pair it again.

Documents / Resources

	<p>IKOHS Netbot LS22 Robot Vacuum Cleaner with WiFi Connection and Mapping System [pdf] User Manual Netbot LS22 Robot Vacuum Cleaner with WiFi Connection and Mapping System, Netbot LS22 Robot Vacuum Cleaner, Netbot LS22, Robot Vacuum Cleaner</p>
---	--