

Blusafe Solutions

Security at your fingertips



Blusafe Smart Lock Range Contents

External Door Smart Locks

Origin Smart - For Multipoint Locks	P01
Cloud - For Deadbolts	P04
Cloud S - For Deadbolts	P07
Contour V/Contour - For External Latches	P10

Internal Door Smart Locks

Breeze - For Internal Latches	P13
-------------------------------	-----

Padlocks

Mirage - Fingerprint Padlocks	P16
-------------------------------	-----

ORIGIN SMART

FINGERPRINT EXTERNAL DOOR HANDLE



Ensure privacy

Extremely secure & convenient

Every fingerprint is unique

No more lost keys

No more replacing locks

Simple DIY installation

Unlock from anywhere

Connect to smart home

FEATURES



Fingerprint Recognition



Bluetooth enabled



Wi-Fi connection
Wi-Fi bridge required



Passcode
Separate keypad required



Card



Smartphone App

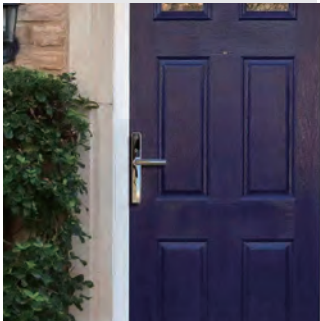


Simple installation



Power port

USES



Homeowners:

- Secure access for the family, share temporary keys with cleaners/guests, know when children are home safe



Landlords:

- Secure rental properties, manage access from anywhere, stop replacing keys/locks



Holiday Lets:

- Temporary keys for guests, manage key codes and unlock from anywhere, receive notifications



Small Businesses:

- Keyless access to the office, up to 50 fingerprints and 50 key fobs, activity log, delivery access etc

MULTIPLE FINISHES

Colours

- Chrome, Satin Chrome, Black



Chrome



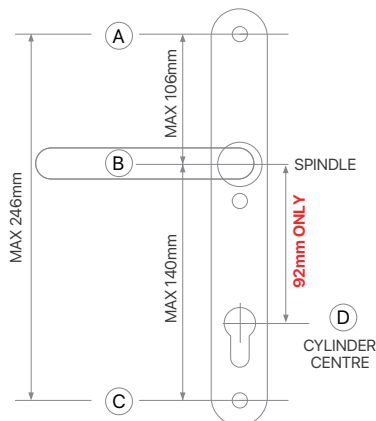
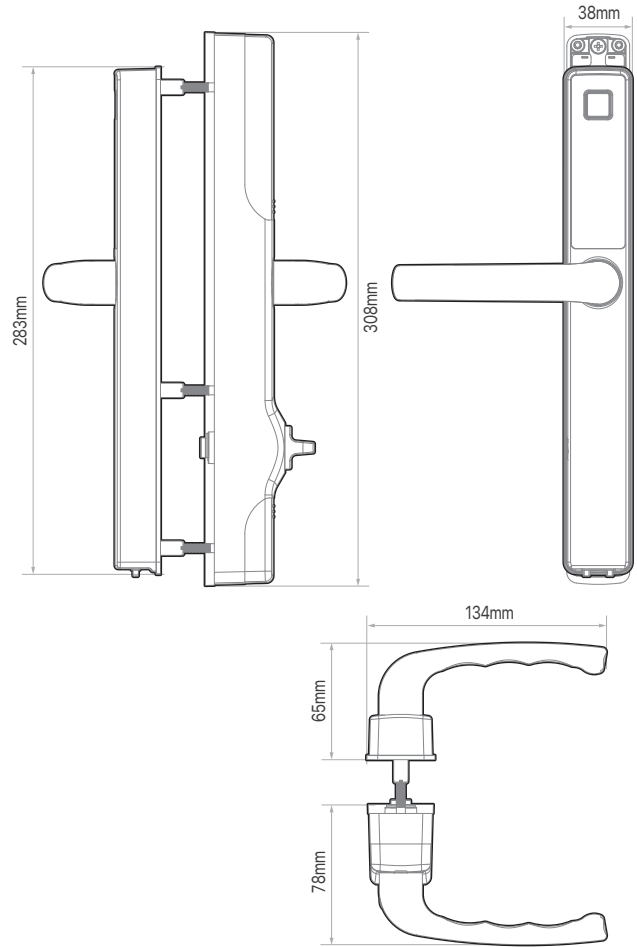
Satin Chrome



Black

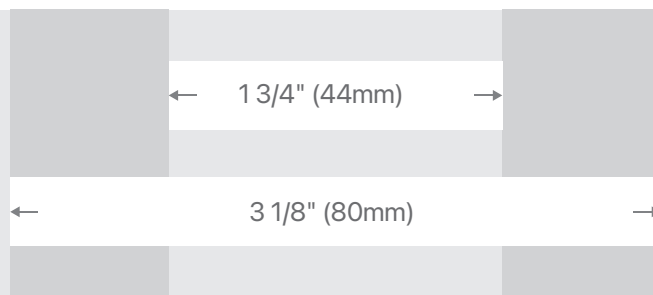
TECHNICAL SPECIFICATION

Blusafe Origin Smart



1. The distance from the centre of the handle/spindle 'B' to the cylinder centre 'D' must be 92mm.
2. The distance between the top 'A' and bottom 'C' screw holes must not be more than 246mm.
3. The distance from the handle centre 'B' to the top screw hole 'A' must not be more than 106mm.
4. The distance from the handle centre 'B' to the bottom screw hole 'C' must not be more than 140mm.

Designed to fit doors 1 3/4" (44mm) — 3 1/8" (80mm) thick



TECHNICAL SPECIFICATION

Blusafe Origin Smart

Technical Specification

BSI Standard	prEN16867 TS 621 TS 007
Compliance	RCM
IP Rating	IP65
Operating Temperature	-20°C ~ 55°C
Humidity	10% ~ 95%RH
Power	4 x AA Alkaline batteries
Battery Life	Approximately 6-8 months
Backup Power	9V battery terminal for emergency power
Keypad	Keypad module (coming soon) (sold separately)
Fingerprint	508dpi (Max fingerprint capacity 50)
RFID	2 x M1 cards (Max card capacity 50)
App	Blusafe Smart App
Wi-Fi	Wi-Fi Capability with Connect Wi-Fi Bridge (sold separately)
Smart Platforms	Amazon Alexa/Google Home/Apple HomeKit (Coming Soon)
Finish	Chrome/Satin Chrome/Black
Use	Entry doors using a lever operated multi-point lock 92mm PZ
Backset	45mm backset
Lock Type	PZ92 multi-point lock / Mortise Lock (6045 lock sold separately)
Door Thickness	44-80mm (packer sold separately to suit 38-44mm doors)
Low Battery Warning	≤ 4.8V
Phone Requirement	iOS (11.0 or higher) or Android (6.0 or higher) smartphones

CLOUD SMART DOOR LOCK

Ensure privacy

Extremely secure & convenient

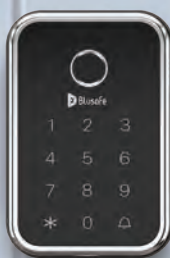
Every fingerprint is unique

Backup keys available

Simple DIY installation

Unlock from anywhere

Connect to smart home



FEATURES



Fingerprint Recognition



Bluetooth enabled



Wi-Fi connection
Wi-Fi bridge required



Passcode



Backup key



Smartphone App

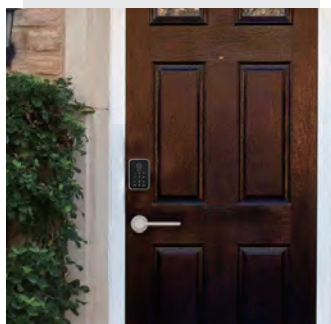


Simple installation



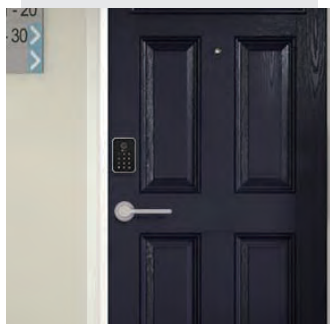
Power port

USES



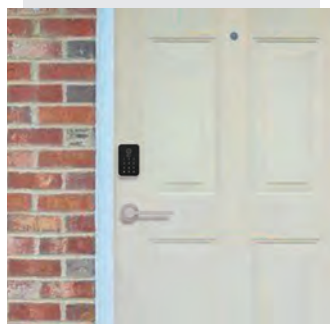
Homeowners:

- Secure access for the family, share temporary keys with cleaners/guests, know when children are home safe



Landlords:

- Secure rental properties, manage access from anywhere, stop replacing keys/locks



Holiday Lets:

- Temporary keys for guests, manage key codes and unlock from anywhere, receive notifications



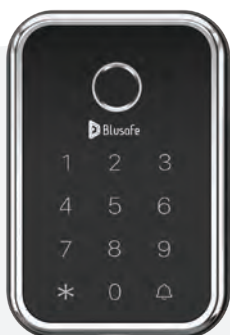
Small Businesses:

- Keyless access to the office, up to 100 fingerprints, activity log, delivery access etc

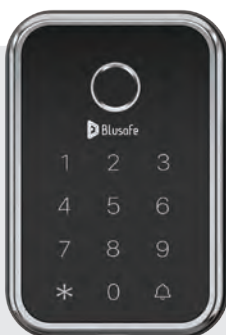
MULTIPLE FINISHES

Colours

- Chrome, Brushed Nickel, Black



Chrome



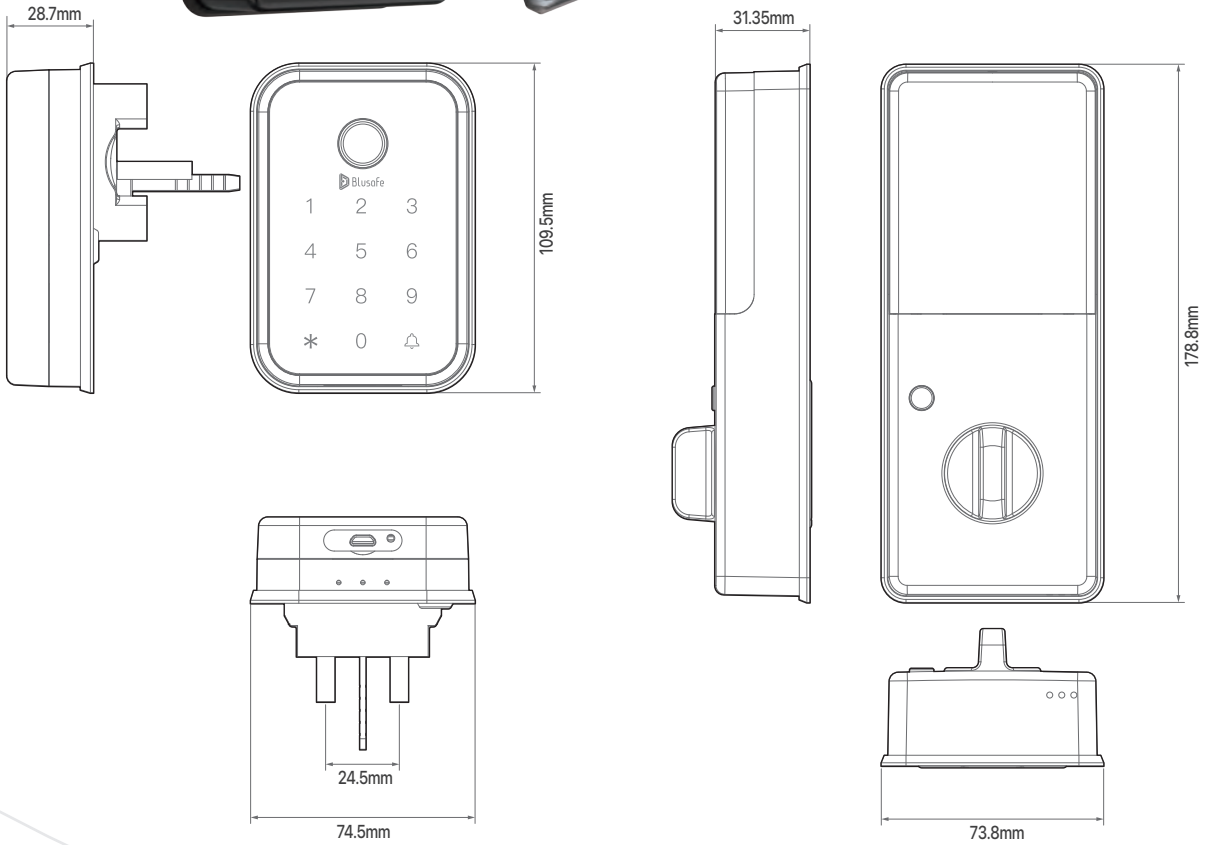
Brushed Nickel



Black

TECHNICAL SPECIFICATION

Blusafe Cloud



Designed to fit doors 1-1/2" (38mm) — 2" (50mm) thick



TECHNICAL SPECIFICATION

Blusafe Cloud

Technical Specification

Standard	BHMA Grade 2
Compliance	RCM - Australian Electrical Regulatory Compliant
IP Rating	IP65
Operating Temperature	-10°C ~ 60°C
Humidity	20% ~ 93%RH
Power	4 x AA Alkaline batteries
Battery Life	Approximately 5 months
Backup Power	Micro USB backup power portal
Fingerprint	508dpi (Max fingerprint capacity 100)
Passcode	Max passcode capacity 50
Keypad	Support
App	Blusafe Smart App
Mechanical Keys	3 pcs
Wi-Fi	Wi-Fi capability with Connect Wi-Fi Bridge
Smart Platforms	Amazon Alexa / Google Home(Now) - Apple HomeKit (Coming Soon)
Finish	Chrome / Brushed Nickel / Black
Use	Entry / interior doors using a deadbolt
Lock Type	Deadbolt
Door Thickness	38-50mm
Low Battery Warning	≤ 4.7V
Phone Requirement	iOS (11.0 or higher) or Android (6.0 or higher) smartphones

CLOUD S

SMART DOOR LOCK

Ensure privacy

Extremely secure & convenient

Every fingerprint is unique

Backup keys available

Simple DIY installation

Unlock from anywhere

Connect to smart home



FEATURES



Fingerprint Recognition



Bluetooth enabled



Passcode



Backup key



Smartphone App

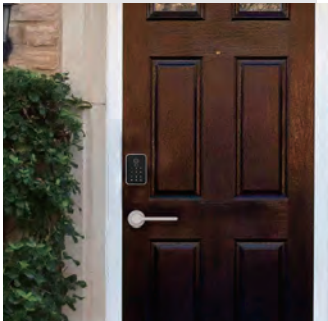


Simple installation



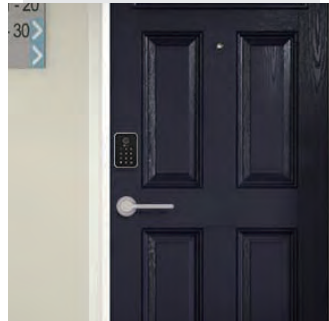
Power port

USES



Homeowners:

- Secure access for the family, share temporary keys with cleaners/guests, know when children are home safe



Landlords:

- Secure rental properties, manage access from anywhere, stop replacing keys/locks



Holiday Lets:

- Temporary keys for guests, manage key codes and unlock from anywhere, receive notifications



Small Businesses:

- Keyless access to the office, up to 100 fingerprints, activity log, delivery access etc

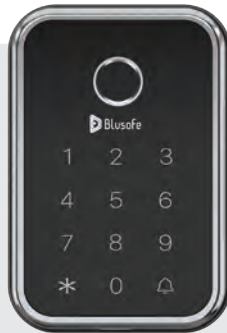
MULTIPLE FINISHES

Colours

- Chrome, Brushed Nickel, Black



Chrome



Brushed Nickel



Black

TECHNICAL SPECIFICATION

Blusafe Cloud S



Designed to fit doors 1-1/2" (38mm) — 2" (50mm) thick



TECHNICAL SPECIFICATION

Blusafe Cloud S

Technical Specification

Standard	BHMA Grade 2
Compliance	RCM - Australian Electrical Regulatory Compliant
IP Rating	IP65
Operating Temperature	-10°C ~ 60°C
Humidity	20% ~ 93%RH
Power	4 x AA Alkaline batteries
Battery Life	Approximately 5 months
Backup Power	Micro USB backup power portal
Fingerprint	508dpi (Max fingerprint capacity 100)
Passcode	Max passcode capacity 50
Keypad	Support
App	Blusafe Smart App
Mechanical Keys	3 pcs
Finish	Chrome / Brushed Nickel / Black
Use	Entry / interior doors using a deadbolt
Lock Type	Deadbolt
Door Thickness	38-50mm
Low Battery Warning	≤ 4.7V
Phone Requirement	iOS (11.0 or higher) or Android (6.0 or higher) smartphones

CONTOUR V / CONTOUR

SMART DOOR LOCK

Ensure privacy

Extremely secure & convenient

Every fingerprint is unique

Backup keys available

Camera embedded

Simple DIY installation

Unlock from anywhere

Connect to smart home



FEATURES



Fingerprint Recognition



Wi-Fi connection



Passcode



Backup key



Card



Smartphone App



Simple installation

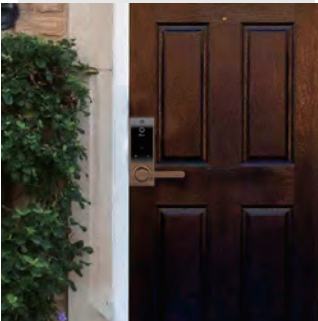


Power port



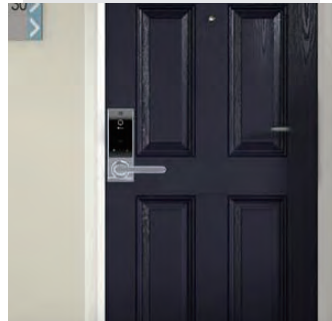
Camera
(For Contour V Only)

USES



Homeowners:

- Secure access for the family, share temporary keys with cleaners/guests, know when children are home safe



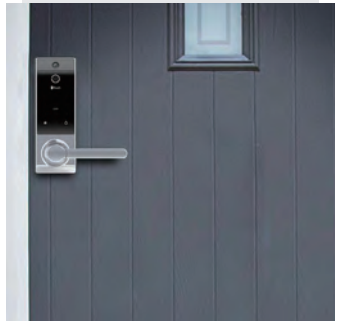
Landlords:

- Secure rental properties, manage access from anywhere, stop replacing keys/locks



Holiday Lets:

- Temporary keys for guests, manage key codes and unlock from anywhere, receive notifications



Small Businesses:

- Keyless access to the office, up to 100 fingerprints and 100 key fobs, activity log, delivery access etc

MULTIPLE FINISHES

Colours

- Brushed Nickel, Black



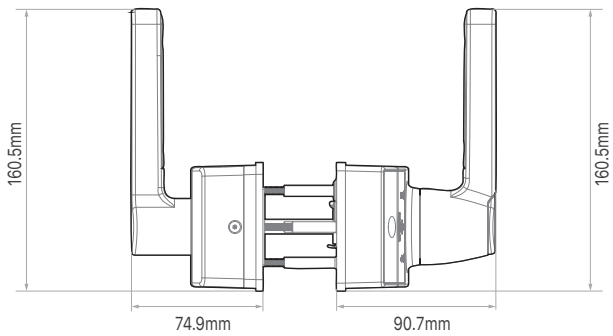
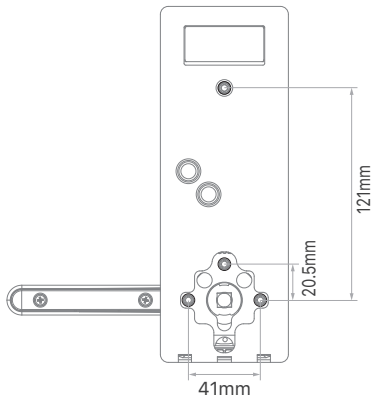
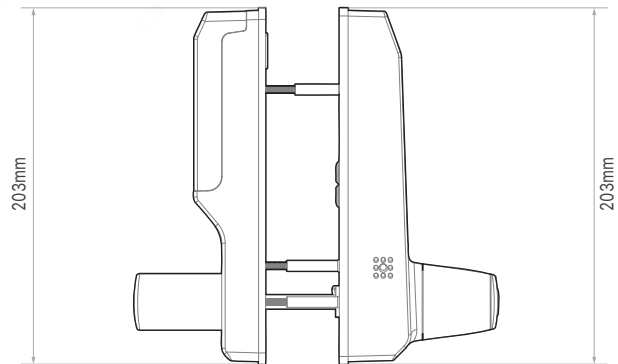
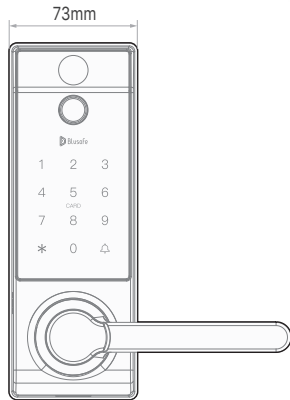
Brushed Nickel



Black

TECHNICAL SPECIFICATION

Blusafe Contour V / Contour



Designed to fit doors 1-2/5" (35mm) — 2-1/8" (54mm) thick

← 1-2/5" (35mm) →

← 2-1/8" (54mm) →

TECHNICAL SPECIFICATION

Blusafe Contour V / Contour

Technical Specification

Standard	BHMA Grade 2
Compliance	RCM - Australian Electrical Regulatory Compliant
IP Rating	IP65
Operating Temperature	-10°C ~ 60°C
Humidity	20% ~ 93%RH
Power	*8 x AA Alkaline batteries
Battery Life	Approximately 12 months
Backup Power	Micro USB backup power portal
Doorbell Camera*	125 degrees, 0.3 Mega Pixels
Camera Function*	Press doorbell to activate camera, push message on App to unlock
Fingerprint	508 dpi (Max fingerprint capacity 100)
RFID	2 x M1 cards (Max card capacity 100)
Passcode	Max passcode capacity 100
Keypad	Support
App	Blusafe Smart App
Mechanical Keys	3 pcs
Wi-Fi	Wi-Fi capability enable remote control
Intrusion Prompt	Warning prompts if forced intrusion on lock
Finish	Black / Brushed Nickel
Use	Entry / interior doors using a latch
Lock Type	Latch
Door Thickness	35-54mm
Low Battery Warning	≤ 4.7V
Phone Requirement	iOS (11.0 or higher) or Android (6.0 or higher) smartphones

BREEZE

FINGERPRINT INTERNAL DOOR HANDLE



Ensure privacy

More secure

Extremely convenient

Unique fingerprint

Simple to install for DIY

Keyless fire exit

No replacing locks for lost keys



FEATURES



Up to 50 fingerprints



2 Backup Keys



Up to 6 months battery life



Micro-USB emergency power port

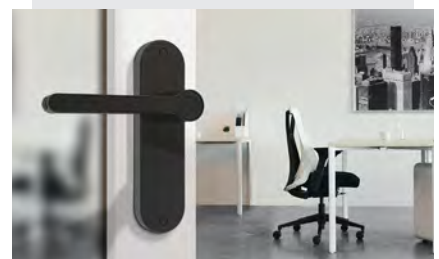
USES



Landlords of Shared/Student Accommodation:
-Secure tenants bedroom doors



Homeowner Internal Doors:
-Home offices, keep the kids out of the bedroom



Small Businesses:
-Secure rooms and give certain employees access

MULTIPLE STYLES

Circular/Rose or Long backplate options
-Long backplate will cover old screw holes for retro-fitting

Colours:
-Black, Chrome or Satin Chrome



Chrome



Black

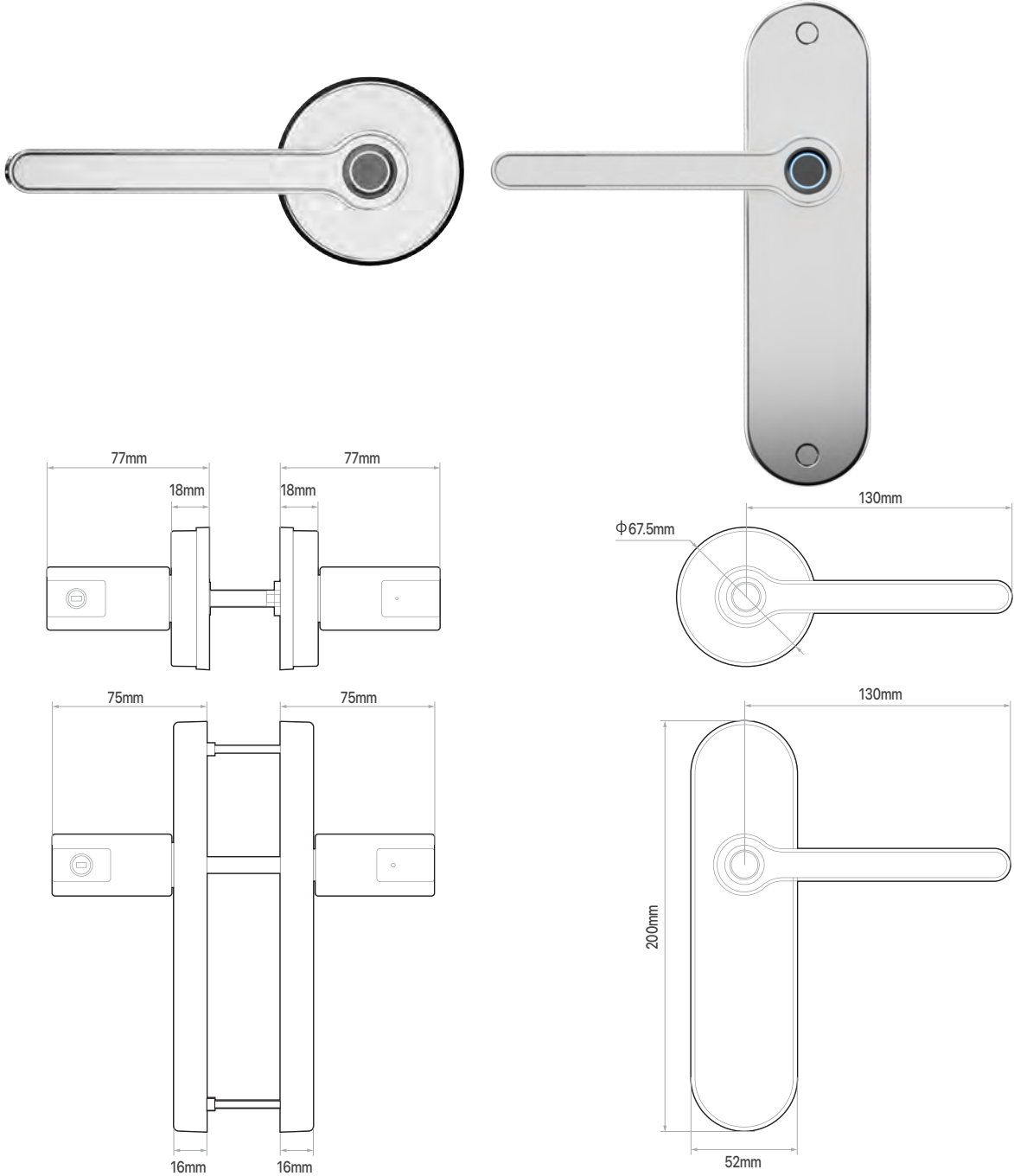


Satin Chrome

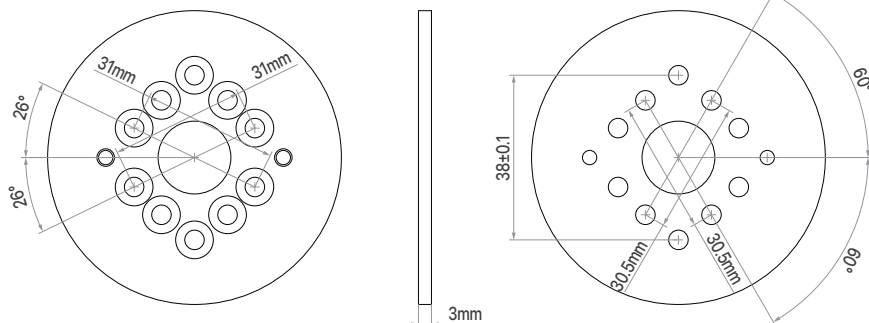


TECHNICAL SPECIFICATION

BLUSAFE BREEZE

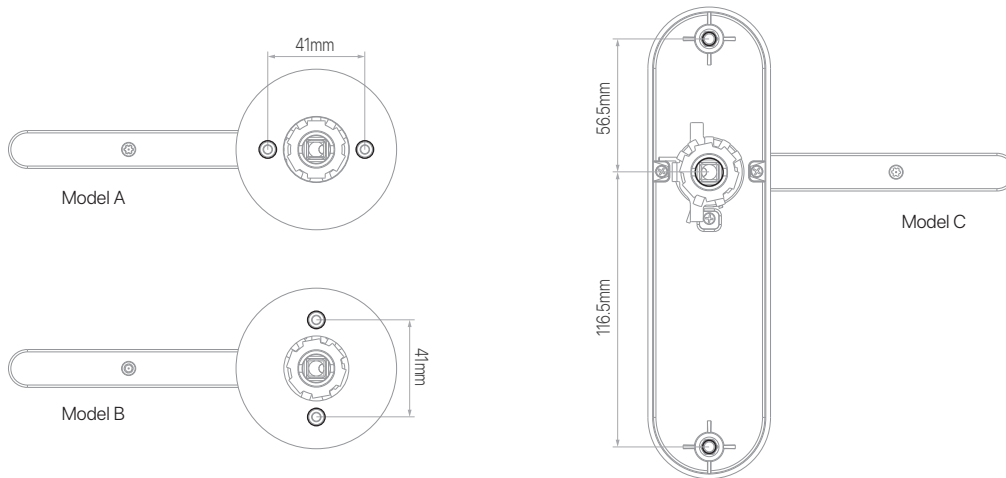


*There are also rosette version available for German and Nordic standard prep holes.



TECHNICAL SPECIFICATION

BLUSAFE BREEZE



Technical Specification

Compliance	RCM - Australian Electrical Regulatory Compliant
IP Rating	IP60
Operating Temperature	-10°C ~ 60°C
Humidity	20%~93%RH
Power	4 x AAA Alkaline batteries
Battery Life	Approximately 6 months
Fingerprint	508dpi(Max fingerpint capacity 50)
Mechanical Keys	2pcs
Finish	Satin Chrome / Chrome / Black
Use	Interior doors using a deadbolt or a latch
Lock Type	Deadbolt / Latch
Door Thickness	35-45mm
Low Battery Warning	≤ 4.7V

MIRAGE

FINGERPRINT PADLOCK



Great quality

Unique fingerprint

Extremely convenient

No losing keys

No fiddly codes

Stop entering codes in the dark

FEATURES



Up to 50 fingerprints



IP-65
Water Resistant



Up to 6 months
battery life



Micro-USB emergency
power port

USES



Gym/School Lockers:
- Secure your belongings



Sheds/Garden Storage:
- Secure garden tools and items

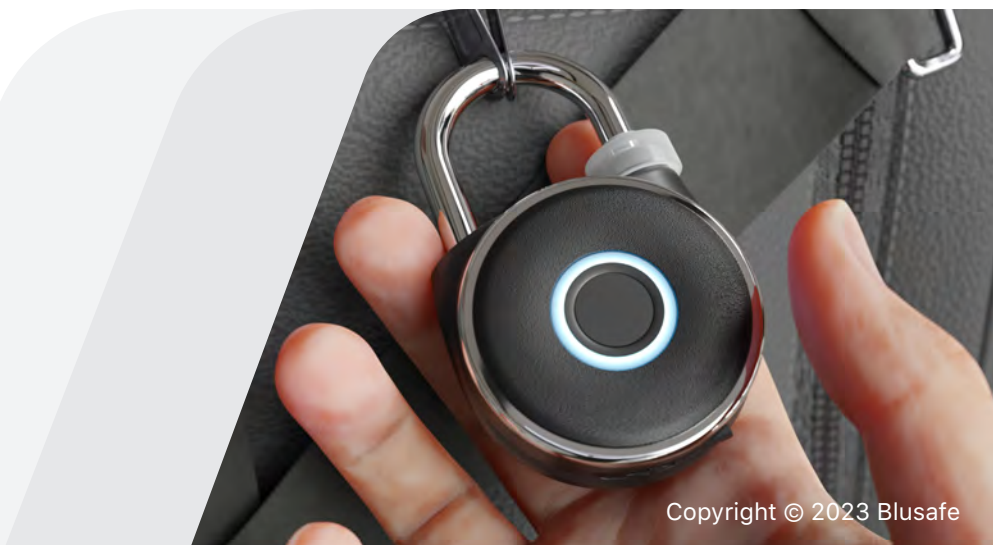


Gates & more:
- Secure the garden/office/feld gate

MULTIPLE STYLES

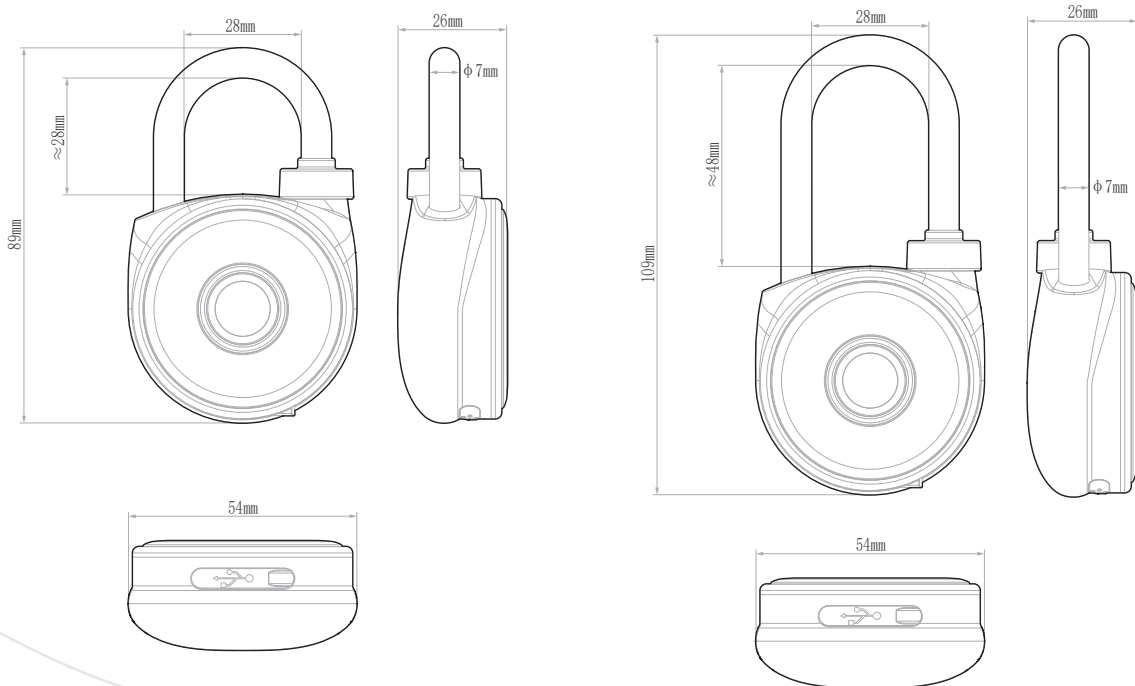
Short or long shackle
- For different size items to secure

Colours:
-Black



TECHNICAL SPECIFICATION

Blusafe Mirage Padlock



Blusafe Mirage Padlock

Technical Specification

IP Rating	IP65
Operating Temperature	-20°C ~ 55°C
Humidity	10%~85%RH
Power	3.7V 400mAh rechargeable lithium battery
Battery Life	Up to 200 days
Fingerprint	508dpi(Max fingerprint capacity 20)
Finish	Black
Low Battery Warning	≤ 3.5V
Charging Current	DC5V / 1A

FIND US @

USA 
blusafesolutions.com

UK 
blusafesolutions.co.uk

AU 
blusafesolutions.com.au

NZ 
blusafesolutions.co.nz

