
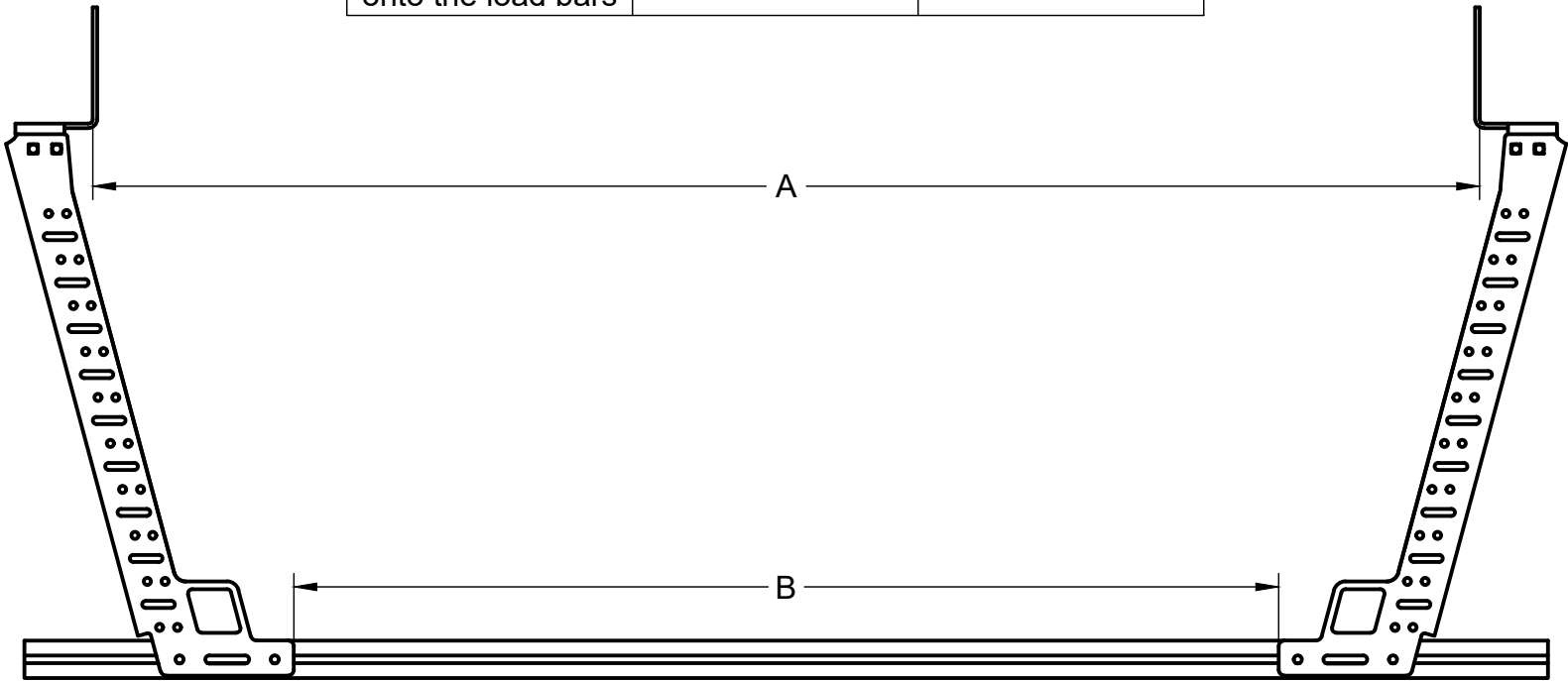


STEP 1		
Instruction	Hardware	Tools
Assemble all 4 uprights and base brackets	16 - 3/8" carriage bolts, washers and lock nuts	9/16" wrench / shallow socket

	PROJECT			Elite Series Assembly	
	TITLE			Assembly Guide	
APPROVED	SIZE	CODE	DWG NO		REV
CHECKED	A				
DRAWN	SCALE 1:6		WEIGHT		SHEET 1/5

STEP 2		
Instruction	Hardware	Tools
With load bars on a flat surface, install the uprights onto the load bars	16 - 5/16" t-nuts, washers and cap screws	3/16" allen key, blue loctite

Upright Spacing	
A	B
Measurement between bed rails	23" Rack - 16 7/8" less than A
	19" Rack - 14 7/8" less than A



PROJECT  
**Elite Series Assembly**

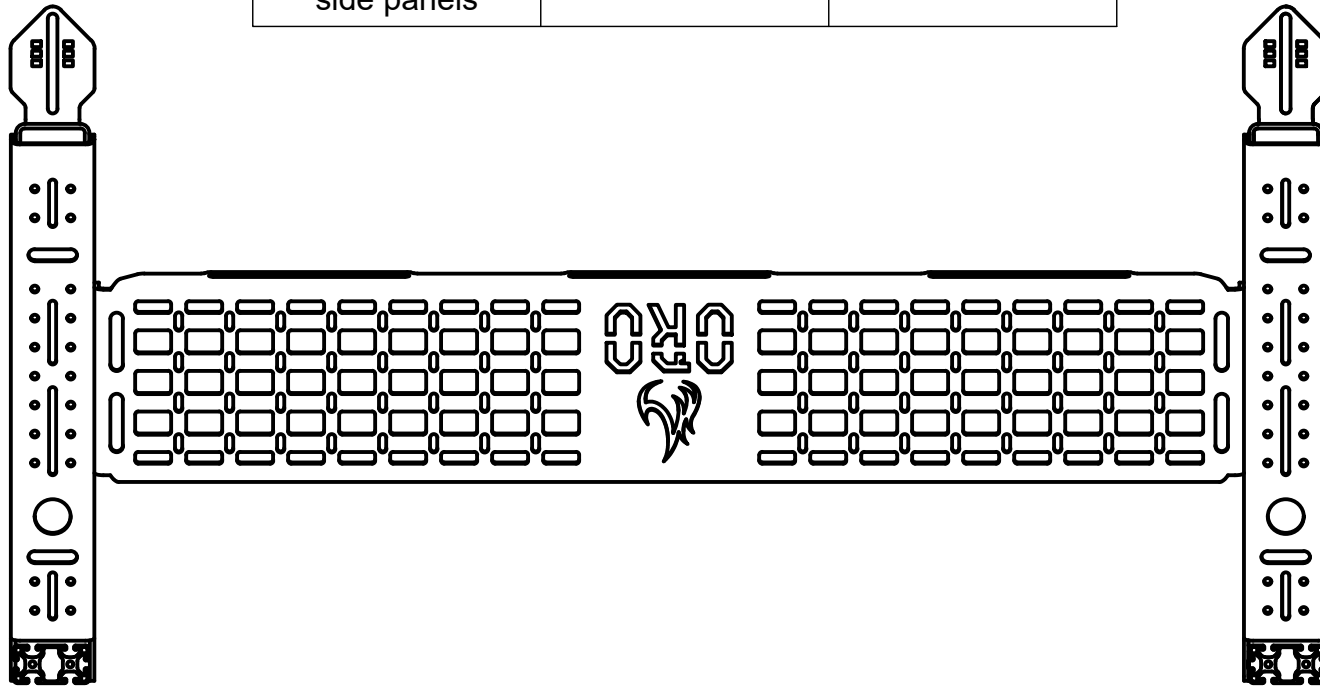
TITLE  
**Assembly Guide**


APPROVED  
 CHECKED  
 DRAWN

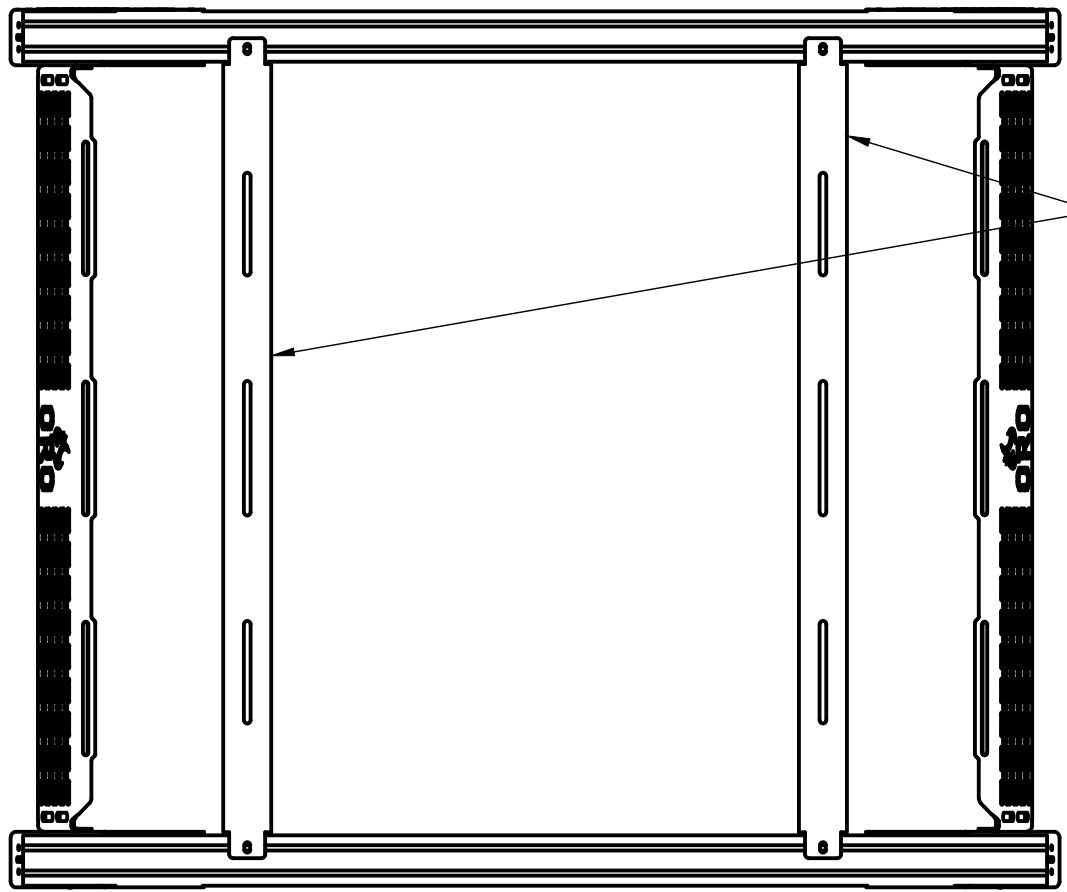
SIZE	CODE	DWG NO	REV
A			
SCALE 1:8	WEIGHT	SHEET 2/5	

STEP 3

Instruction	Hardware	Tools
With the rack still sitting on the load bars, install the side panels	8 - 1/4" cap screws, lock nuts and 16 washers	5/32" allen key, 7/16" wrench



	PROJECT <b>Elite Series Assembly</b>			
	TITLE <b>Assembly Guide</b>			
APPROVED	SIZE	CODE	DWG NO	REV
CHECKED	A			
DRAWN	SCALE 1:8	WEIGHT	SHEET 3/5	



STEP 4		
Instruction	Hardware	Tools
Flip the rack upright and install the tie bars onto the load bars	4 - 5/16" t-nuts, cap screws and washers	3/16" allen key, blue loctite

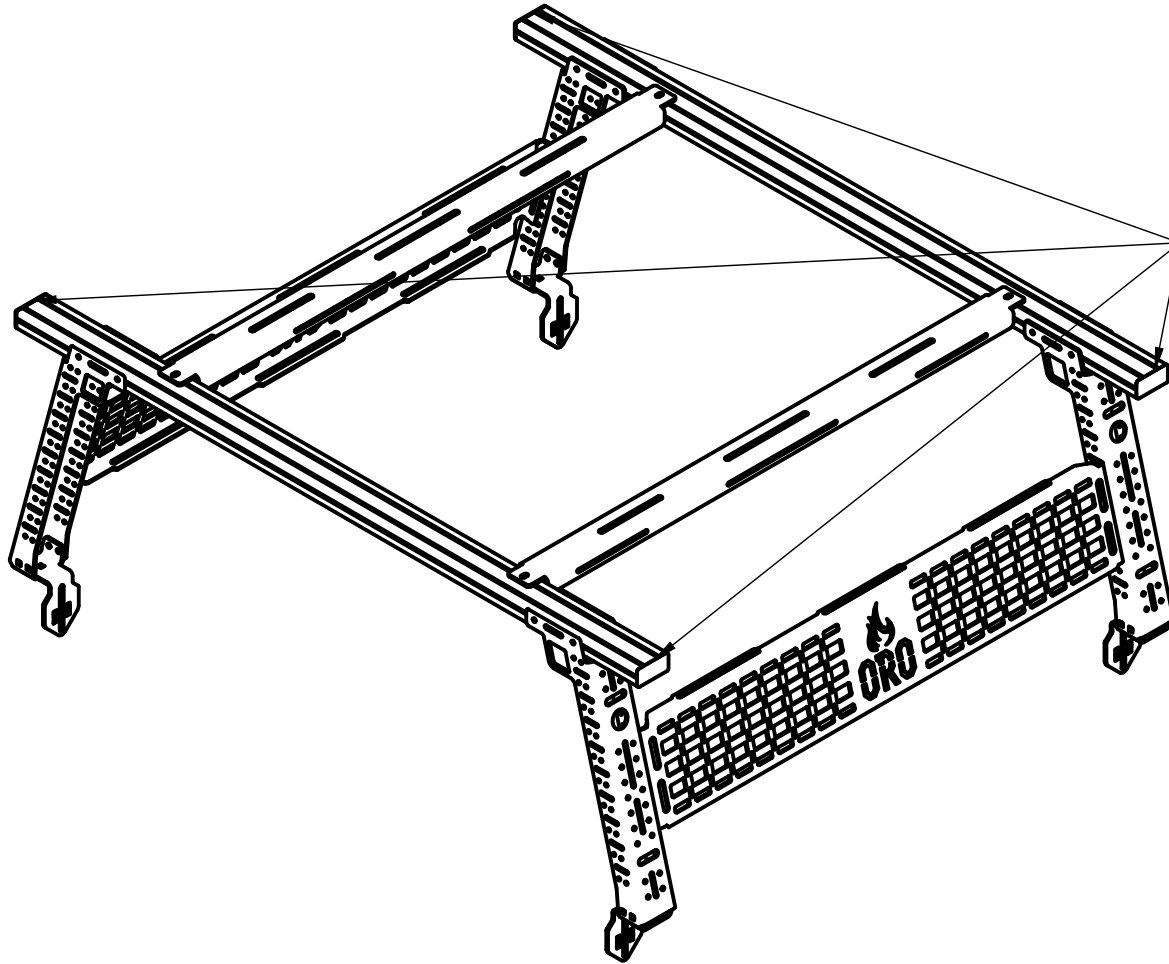


PROJECT  
**Elite Series Assembly**

TITLE  
**Assembly Guide**

APPROVED  
 CHECKED  
 DRAWN

SIZE	CODE	DWG NO	REV
A			
SCALE 1:12	WEIGHT	SHEET 4/5	



STEP 5

Instruction	Hardware	Tools
Install the load bar end caps	4 end caps, 8 5/16" cap screws	3/16" allen key, blue loctite



PROJECT

Elite Series Assembly

TITLE

Assembly Guide

APPROVED

CHECKED

DRAWN

SIZE

A

CODE

DWG NO

REV

SCALE 1:14

WEIGHT

SHEET 5/5