

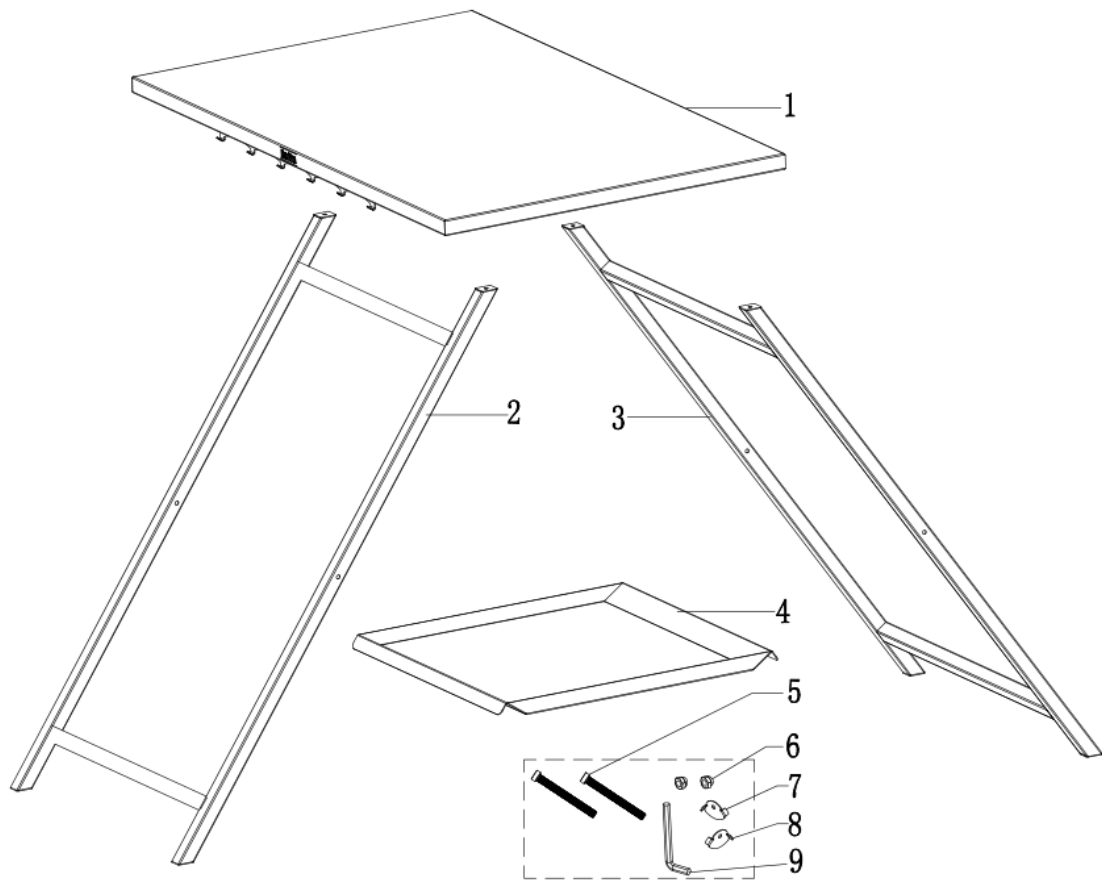
Instruction For The Delivita Deluxe Fold-Away Oven Stand



DELIVITA

If you have any questions please contact
hello@delivita.com

Component View



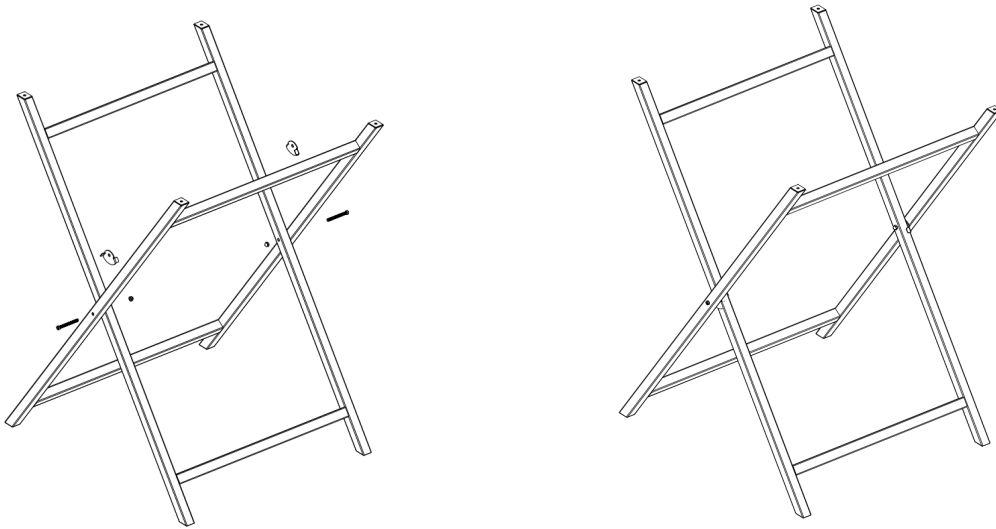
NO.	Part Name	Qty	NO.	Part Name	Qty
1	Stand Top	1	6	M6 Cap nut	2
2	"X" frame A	1	7	Left "X" Frame Support Cam	1
3	"X" frame B	1	8	Right "X" Frame Support Cam	1
4	Bottom tray	1	9	Allen key -5mm	1
5	M6*60 Hexagon socket screws	1			

Please Follow The Below Guide To Construct Your Stand

Installation of "X" frame

Step1.

Cross the "X" frame A and "X" frame B, hole-to-hole as shown in the picture, then put the Support Cam 'B' in the middle, Use M6*60 hexagon socket screws to pass through the two square tubes, fix it with M6 cap nut, tighten it with the Allen key "9". Ensure the Support Cams are located correctly, these are to prevent the leg sets from collapsing flat, and provide a stop / limit for the maximum opening position.



Step 2.

Installation Of Stand Top and "X"frame

First, place the top of the "X" frame 'A' facing the hook direction of the countertop, with the limit Cam inserted into the square tube, and "X" frame 'B' facing the other side of the countertop.

Finally, place the bottom tray onto the two square tubes at the bottom.

