



Owner's - Users Manual

Nomad



Original Date of Issue: September 2021

Revision: 0

Date of Issue of Revision: September, 2021

For other languages and to find the most updated version, go to: diveblu3.com/manuals

Language: eng

BLU3, Inc.
3005 NW 25th Ave, Suite 2
Pompano Beach, FL 33069
Telephone: (954) 388-5650
Email: info@diveblu3.com
diveblu3.com



Download This Manual Here

IMPORTANT

Read carefully before use.
Keep for future reference.



IMPORTANT:

Prior to diving, ALL Users must:
Read and understand the Nomad Owner's - Users Manual,
Complete the BLU3 Fitness to Dive Evaluation and
Complete the BLU3 Online Dive Training Course

BLU3 Online Dive Training Course available at:

diveblu3.teachable.com





1 Explanation of Symbols	6
2 General Precautions and Important Safety Information	7
3 Introduction	8
3.1 Product Description	8
3.2 Intended Use	9
3.2.1 Who Can Use Nomad	9
3.2.2 Permissible Diving Conditions	9
3.3 Before Your First Dive	10
3.3.1 BLU3 Fitness to Dive Evaluation	10
3.3.2 BLU3 Online Dive Training Course	10
4 Specifications	11
5 CE Certifications	12
6 Unpackaging Your Nomad	13
6.1 Packaging Notes	13
6.1.1 Keep Original Packaging	13
6.1.2 Recycling	13
6.2 Package Contents	13
6.3 Product Registration	15
7 Preparing for Your First Startup	16
7.1 Battery and Battery Charger Warnings	16
7.2 Charging the Battery	16
7.3 Checking the Battery Capacity	17
7.4 Installing the Dive Flag	18
7.5 Adjusting the Harness Attachment Point	19
7.6 Donning the Dive Harness	20
8 Startup Instructions	24
8.1 Component Inspection	25
8.2 Powering Up	27
8.3 Installing the Nomad Dry Bag Float	29
8.4 Installing the Snorkel Tube	30
8.5 Gearing Up	31
8.6 Pre-Dive Check	31
8.7 Beginning the Dive	33
9 Diving Considerations	34
9.1 Air Hose Management	34
9.2 Removing the Dive Harness	35
9.3 Battery Life	36
9.3.1 Battery Charge Planning	36
9.3.2 Low Battery Warning for the Diver	36
9.4 Smart Reg™ Operation	37
9.4.1 ON/OFF Knob	37
9.4.2 Inhale or Exhale - Do NOT hold your breath	37
9.4.3 Breathing Rhythm and Pump Speed	38
9.4.4 Purge Button Operation and Smart Reg Clearing Process	38
9.4.5 Free-Flow Stop	38

9.5 Avoiding and Managing Hazards While Diving	39
9.5.1 Air Hose Entanglement	39
9.5.2 Water Intrusion	39
9.5.3 Contaminated Air Intake	39
9.5.4 Out-of-Air Situations	40
9.5.5 Weight Belts	40
10 Shutdown Instructions	41
10.1 Exiting the Water	41
10.2 Systems Checks	41
10.3 Routine Maintenance Diving Shutdown	42
11 Storage Instructions	43
12 Traveling with Nomad	44
13 Maintenance	45
13.1 Every 3 months	45
13.2 Every 100 dives	45
13.3 If Water Gets onto the Electrical Connections	45
13.4 If Water gets into the Air Intake	45
13.5 If Sand Gets into the Air Intake	45
13.6 Air free-flowing from the Smart Reg™	46
13.7 If the Mouthpiece is Damaged	46
13.8 If the Air Hose is Damaged	46
13.9 If the Snorkel Tube O-rings are Lost or Damaged	46
13.10 If the Dive Harness is Damaged	47
13.11 If the Harness Attachment Point is Damaged	47
14 Troubleshooting	48
14.1 If Nomad is Beeping an Error Code	48
14.2 Estimating Number of Dives on Nomad	49
14.3 Calibrating the Smart Reg™	50
14.4 Identifying Leaks	50
14.4.1 Air Hose Leak Check	50
14.4.2 Pump Body Leak Check	50
14.4.3 Snorkel Tube Leak Check	50
14.5 If Nomad is Not Pumping Air Or Air Flow is Limited	51
15 Parts and Service	52
15.1 Replacement Parts	52
15.2 Sending your Nomad in for Service	52
16 Patent Pending	53
17 Component Diagrams	54
APPENDIX A: Instructions to access additional information and BLU3 Online Dive Training Course	56
APPENDIX B: BLU3 Fitness to Dive Evaluation	57
APPENDIX C: BLU3 Assumption of Risk, Waiver, Liability Release & Hold Harmless Agreement	58
APPENDIX D: Limited Warranty	62
APPENDIX E: Checklists	63

1 Explanation of Symbols

The following symbols will be used throughout the document and on BLU3 products to highlight critical information. Please pay careful attention to each instance of these symbols.

DANGER

Indicates a hazardous situation which, if not avoided, will result in death or serious injury.

WARNING

Indicates a hazardous situation which, if not avoided, could result in death or serious injury.

CAUTION

Indicates a hazardous situation which, if not avoided, could result in minor or moderate injury.

NOTICE

Indicates practices and information that will help lead to the proper use of your Nomad.

NOTICE

BLU3 shall not be responsible or liable for any damages, illness, injury or death caused by using Nomad. Follow the information in this Owner's - Users Manual and pay attention to the symbols listed above.

2 General Precautions and Important Safety Information

⚠ DANGER

The user shall NEVER hold their breath while diving, especially while ascending toward the surface. Holding your breath while diving, and especially while ascending toward the surface, will lead to serious injury or death.

⚠ WARNING

STRONG MAGNETS! Persons with pacemakers or medical implants must stay back at least 2 feet (60 cm). Magnets could interfere with pacemakers or medical implants.

⚠ WARNING

Nomad is not intended for use by children younger than 8 years old. Users under 12 years old must be limited to a swimming pool only, in water shallow enough that they can stand up with their head above the water. Users who are under 18 years old must be constantly supervised by a parent or guardian when using Nomad. Failure to comply with age restrictions could result in serious injury or death.

⚠ WARNING

All Users must completely read and understand this Owner's - Users Manual prior to using Nomad. The Owner's - Users Manual should be kept in possession with Nomad for the entire life of the product. Failure to comply with the instructions within this Owner's - Users Manual could result in serious injury or death.

⚠ WARNING

Use of Nomad is limited to the uses described in this Owner's - Users Manual or for applications approved in writing by BLU3. Use of Nomad outside of the intended use statements could result in serious injury or death. *Refer to Section 3.2 on page 9 for the intended use statements.*

⚠ WARNING

This Owner's - Users Manual is not a substitute for a diving instructional course. The user must successfully complete the BLU3 Online Dive Training Course prior to first use. Failure to complete the BLU3 Online Dive Training Course could result in serious injury or death.

⚠ WARNING

Nomad shall only be operated by users who have completed the proper instructional course, BLU3 Fitness to Dive Evaluation, and who have read and understand this Owner's - Users Manual. The owner of Nomad shall not share Nomad with users who do not meet these qualifications, and failure to follow these instructions could lead to serious injury or death of the user.

⚠ WARNING

Nomad must only be used in areas where the intake air supply is clean and not contaminated by toxic fumes or gases. Contaminants entering the Nomad Snorkel Tube (air intake) will result in breathing contaminated air which may cause serious injury or death.

⚠ WARNING

Rechargeable lithium ion batteries have an inherent risk of fire and explosion. Failure to follow the instructions of this Owner's - Users Manual and properly handle lithium ion batteries may result in serious injury or death.



⚠️WARNING

Cancer and Reproductive Harm - www.P65Warnings.ca.gov

⚠️WARNING

STRONG MAGNETS! Persons with pacemakers or medical implants must stay back at least 2 feet (60 cm) from the Nomad main body. Magnets may interfere with pacemakers or medical implants.

3. Introduction

Congratulations on your new Nomad!

This Owner's - Users Manual will provide you with the information and instructions necessary to operate the equipment. However, you are NOT permitted to operate the equipment until both the BLU3 Fitness to Dive Evaluation and BLU3 Online Dive Training course have been successfully completed. Follow the instructions of this Owner's - Users Manual carefully and only use Nomad within its intended use to ensure your safety.

3.1. Product Description

Nomad by BLU3 is a small and compact dive system that supports one diver to a maximum depth of 30 feet. The Nomad air hose is made from non-toxic PVC and is approximately 40 feet long to provide for enough of a scope angle for the diver to comfortably reach a maximum depth of 30 feet. Always monitor your depth and do not exceed the maximum depth rating of 30 feet (9 meters.)

Nomad has been air quality tested and certified to SCUBA Grade E standards. BLU3's proprietary oilless air pump is designed and assembled in Pompano Beach, Florida, United States.

Nomad is powered by a 28.8 volt, 144 watt-hour lithium ion battery pack. A waterproof connector provides for easy swapping of the Battery for unlimited diving time. The time duration of the Battery varies depending on the air consumption and depth of the user. Typically a fully charged Battery will last between will last between 45 and 60 minutes.

**Battery life time is dependent on the user. These values should be used for reference only.*

3.2 Intended Use

3.2.1 Who Can Use Nomad

Nomad is intended for use by people who are competent swimmers, at least 8 years old, in good health and have completed the BLU3 Online Dive Training Course. Users under 12 years old must limit their Nomad Diving to a swimming pool only, in water shallow enough that they can stand up with their head above the surface. All Users under 18 years old must be constantly supervised by a parent or guardian when using Nomad. All Users must complete the BLU3 Fitness to Dive Evaluation and BLU3 Online Dive Training Course prior to use. All Users must thoroughly understand the content of this Owner's - Users Manual. The owner of Nomad shall not allow any person who does not meet these criteria to dive with Nomad.

Inside of Nomad are strong magnets that may interfere with pacemakers or medical implants. Persons with pacemakers or medical implants must stay at least 2 feet, or 60 centimeters, away from Nomad at all times and never operate Nomad. The user shall advise persons with pacemakers or medical implants if they are within the advised maximum proximity of Nomad.

3.2.2 Permissible Diving Conditions

Do NOT use Nomad in any conditions that may result in water entering the air intake. This includes, but is not limited to, diving in conditions in which waves will crash over the Snorkel Tube, diving under a waterfall, or conditions which could cause Nomad to flip over such as shore break waves or an area with large boat wakes.

Only use Nomad in calm weather and water conditions. The World Meteorological Organization (WMO) sea state code specifies sea states in relation to wave height and characteristics. Nomad is intended for use in WMO Sea State Codes of 0, 1, or 2. Nomad shall not be used in WMO Sea States higher than 2.

Nomad must be floating in the water during use. Operating Nomad out of water for extended periods of time will cause overheating. Do NOT operate Nomad outside of water for more than 20 seconds.

Nomad must only be used in areas where the intake air supply is clean and not contaminated by toxic fumes or gases. Contaminants entering the Nomad Snorkel Tube (air intake) will result in breathing contaminated air which may cause serious injury or death.

Nomad is intended to be used only in areas where there is sufficient space for the Air Hose and the floating unit to freely glide in the water and not become entangled with other objects or become punctured. As an example, do NOT use Nomad to dive through underwater caves or in areas with overhead structures such as around boat docks.

Nomad is not designed and shall not be used as a means of fulfilling mandatory decompression requirements.



3.3. Before Your First Dive

Before using Nomad for the first time, you must read and understand this Owner's - Users Manual in its entirety and successfully complete both the BLU3 Online Dive Training Course and the BLU3 Fitness to Dive Evaluation that is supplied with this manual.

3.3.1 BLU3 Fitness to Dive Evaluation

The BLU3 Fitness to Dive Evaluation (diveblu3.com/fitness-to-dive-evaluation) provided with this Owner's - Users Manual is provided to confirm Users are medically fit to dive. The BLU3 Fitness to Dive Evaluation is included in Appendix B. If there are any issues or questions regarding the BLU3 Fitness to Dive Evaluation, the user must be examined by a physician to determine if the user is medically fit for diving.

⚠WARNING

All Users must complete the BLU3 Fitness to Dive Evaluation prior to using Nomad. Use of Nomad without completion of the BLU3 Fitness to Dive Evaluation may result in serious injury or death.

3.3.2 BLU3 Online Dive Training Course

All forms of diving have safety considerations and inherent risks. This Owner's - Users Manual does not address all diving-related risks. Some, but not all, dangers and risks related to the usage of Nomad will be outlined throughout this document.

Proper diving safety instruction must be acquired in the online training course and through professional instruction. The complementary BLU3 Online Dive Training Course provides instructions focused on diving technique and safety considerations; whereas this Owner's - Users Manual focuses on Nomad ownership, components, controls and care.

It is advised that your first dive be completed in a swimming pool or in a body of water with a WMO Sea State 0 to ensure that you thoroughly understand both this Owner's - Users Manual and the training course. During your first dive you'll also confirm your equipment is operating properly. It is advised to complete your first dive without additional variables such as waves and currents. If you are not comfortable after your first dive, you should seek professional guidance.

⚠WARNING

All Users must successfully complete the BLU3 Online Dive Training Course prior to using Nomad. Use of Nomad without completion of the training course may result in serious injury or death.

4 Specifications

Battery Run Time	Approximately 60 minutes*
Maximum Dive Depth	30 feet / 9 meters
Intended Sea States	WMO Sea State Code 0, 1, 2
Total Weight	15 lb / 6.8 kg
Maximum Dimensions (Everything installed)	22 x 18 x 22.25 in. / 55.9 x 45.8 x 56.5 cm
Main Body Dimensions	11 x 7.75 x 6.5 in. / 28.0 x 19.7 x 16.5 cm
Air Flow Rate	3 CFM @ 15 PSI
Battery Type	Lithium Ion
Battery Voltage	28.8 V
Battery Capacity	144 Wh
Battery Charge Time	3 hours
Battery Charger Input Voltage	100-240 VAC, 50/60 Hz
Compressor Type	Oil-less Brush-less DC Breathing Air-Rated Pump
Heat Management	Water-cooled (must be in water while running)
Safety Protection	Over-current, Over-temperature, Under-voltage, Reverse Air Flow
User Feedback	Battery Level Gauge, Low Battery Behavior
Dive Flag Options	Red-and-White, Alpha
Gas Type	Air
Electromagnetic Compatibility Compliance	FCC 47 CFR Part 15B:2017 ISED ICES-003: Issue 06 (2016) EN 55032:2015 EN 55024:2010/A1:2015
Year of Manufacture	2021

*Battery life time is dependent on the user. This value should be used for reference only.

5 CE Certifications

Nomad

Nomad conforms with the relevant Community harmonization legislation:

- Directive 2006/42/EC of the European Parliament and of the Council of 17 May 2006 on machinery, and amending Directive 95/16/EC
- Directive 2014/30/EU of 26 February 2014 on the harmonization of the laws of the Member States relating to electromagnetic compatibility
- Directive 2011/65/EU of the European Parliament and of the Council of 8 June 2011 on the restriction of the use of certain hazardous substances in electrical and electronic equipment
- Directive 2012/19/EU of the European Parliament and of the Council of 4 July 2012 on waste electrical and electronic equipment (WEEE) (in short referred to as “the WEEE Directive” or “2012/19/EU”)

References to the relevant harmonized standards used or references to the specifications in relation to which conformity is declared:

- EN1012-1:2010
- EN55032:2015
- EN55024:2010

Nomad Battery

Battery

- EN 61000-6-3:2007 + A1:2011+AC:2012 - Radiated Emission
- EN 61000-4-2:2009 - Electrostatic Discharge (ESD)
- EN 61000-4-3:2006+A1:2008+A2:2010 - Radio-frequency Electromagnetic Field Amplitude Modulated (RS)

Battery Charger

Tested according to:

- EN 55014-1:2006/A2:2011
- EN 55014-2:2015
- EN 55014-2: 1997/A2:2008
- EN 61000-3-2:2014
- EN 61000-3-3:2013

NOTICE

Standards may change over time. Please contact us if you need the most recent Declaration of Conformity.

6 Un-packaging Your Nomad

6.1 Packaging Notes

6.1.1 Keep Original Packaging

It is advised to keep the original packaging in case re-packaging is required. If the packaging is not kept by the user and re-packaging is required, it is advised that Nomad be packed tightly within the package so that it cannot move around within the box. A heavy-duty box shall be used. If the Battery is to be included, comply with all applicable regulations for transportation of lithium battery packs as required by your courier within your region.

6.1.2 Recycling

BLU3 uses recyclable materials and minimizes the use of single-use plastics. If you do not plan to re-use your packaging, please recycle appropriately. All cardboard pieces of the Nomad packaging box may be recycled.

6.2 Package Contents

NOTICE

Confirm all the contents are present in your box. If any contents are missing or damaged, stop and contact BLU3 before proceeding.

- 1 Nomad
- 2 Smart Reg™
- 3 Battery
- 4 Battery Charger
- 5 Dive Harness
- 6 Nomad Handle
- 7 Intake Plug
- 8 Upper Snorkel Tube
- 9 Lower Snorkel Tube
- 10 Snorkel Tube O-rings
- 11 Snorkel Tube Union
- 12 Dive Flags
- 13 Drip Cap
- 14 Dry Bag Float



NOTICE

If you ordered more than two spare batteries, all spare batteries will be shipped in a separate box the other Battery or Batteries will be delivered in a separate package.

1. Remove the Nomad Main Body, Air Hose, and Smart Reg.
2. Confirm the Battery is installed in the Battery Compartment.
3. Confirm the Warning Label is present.

WARNING

Never remove the Warning Label from Nomad. Removal of the Warning Label may result in unqualified or untrained user(s) operating Nomad, which may lead to serious injury or death.


⚠ WARNING ⚠


⚠ Underwater Diving Is Inherently Risky. Serious Injury or Death May Occur. Before Use of This Product, All Users Must:

(1) Read Nomad Owner's – Users Manual (diveblu3.com/manuals),
 (2) Complete BLU3 Online Dive Training Course (diveblu3.teachable.com) and
 (3) Read BLU3 Assumption of Risk, Waiver, Liability Release and Hold Harmless Agreement (diveblu3.com/waivers)

⚠ Do NOT operate product while out of water. Shutoff of air supply may occur due to overheating.

⚠ Strong magnetic fields may interfere with pacemakers or medical implants. Persons with pacemakers or medical implants must stay back at least 2 feet (60 cm).


 BLU3, Inc. 3001 NW 25th Ave
 Pompano Beach, FL USA 33069
diveblu3.com +19543885650



4. Confirm the Harness Attachment Point is installed on the Air Hose.



5. Remove the Battery from the Nomad Battery Compartment by sliding it out.
6. All components should now be removed and separated.

6.3 Product Registration

Registering your Nomad with BLU3 enables us to contact you about service requirements, upgrades and other important information. Follow these instructions to register your Nomad with BLU3:

1. Note the Serial Number of your Nomad. The Serial Number is located inside the Battery Door. Lift the Battery Door and look inside as shown in the photo below.
2. Complete the BLU3 Online Dive Training Course. Note the confirmation code at the end of the course.
3. Go to diveblu3.com/support and click on Product Registration.
4. Fill out the form with your Serial Number, course confirmation code and other information.



7 Preparing for Your First Startup

⚠WARNING

The Battery and Battery Charger show manufacturer's warnings that must be read and understood by the user. Failure to comply with the Battery and Battery Charger warnings could lead to serious injury or death.

7.1 Battery and Battery Charger Warnings:

- Do not touch contacts together.
- Do not disassemble or modify the Battery.
- Do not put the Battery in a damp place when not connected to Nomad.
- Assure connector is tight with O-ring in place before use.
- Battery pack is only waterproof with mating connector connected.
- Store in a cool, dry place.
- Use only with approved charger.
- Maximum depth rating: IP67 / 1 meter.
- Do not use or charge under high temperature.
- The battery pack should be charged at least once every 3 months during non-use.
- Do not allow the battery to be near flammable sources.
- Do not store at temperatures above 140 degrees Fahrenheit/40 degrees Celsius.
- Do not store at temperatures below -4 degrees Fahrenheit/-20 degrees Celsius.
- Never leave batteries unattended while charging.

7.2 Charging the Battery

The Battery can be charged from zero to 100 percent capacity in about 3 hours. The Battery has a Dust Cap attached to the connector. The Dust Cap should be installed by pushing it onto the connector whenever the Battery is not connected to Nomad's waterproof Power Connector. The Dust Cap does not create a watertight seal and the Battery should never be placed underwater unless it is properly connected to Nomad's Power Connector.

⚠WARNING

Rechargeable batteries have an inherent risk of fire and explosion. Do NOT leave unattended while charging.

Follow these instructions to charge your Battery properly:

1. Locate your Nomad Battery.
2. Locate your Nomad Battery Charger.
3. Unscrew the Dust Cap of the Battery.
4. Plug the Battery Charger into a wall outlet.
5. Attach the Battery Charger connector to the Battery.
6. Confirm the Battery is being charged (LED is red.)
7. Monitor the Battery and Battery Charger until the LED turns green.



Battery Charger

Battery



Battery and Nomad Power Connector

DANGER

Do NOT leave the Battery Charger and Battery unattended while charging. Failure to monitor the Battery Charger and Battery while charging may result in fires or explosions, possibly resulting in serious injury or death. In case of fires, contact your local emergency departments.

8. Unplug the Battery Charger from the wall outlet.
9. Disconnect the Battery Charger connector from the Battery connector.
10. Push the Dust Cap onto the Battery Connector.

NOTICE

Confirm the Battery's Dust Cap is clean and dry prior to connecting it to the Battery connector. Installing the Dust Cap with water inside of it could lead to corrosion of the terminals on the Battery.

11. Store the Battery and Battery Charger in a cool, dry place until you are ready to dive.

7.3 Checking the Battery Capacity

The Battery has an LED gauge used to estimate the remaining charge in the Battery. Follow these instructions to interpret the capacity remaining in the Battery:

1. Remove the Battery from all connected devices.
2. Locate the Battery's LED gauge.
3. Press the button on the LED gauge.
4. Observe the color and number of LED's that light up.
5. See the Battery Capacity Chart below.



# of Green LEDs	Battery Capacity
4	76-100 %
3	51-75%
2	26-50 %
1	1-25 %
0	0 %

Figure 7.3: Battery Capacity Chart

7.4 Installing the Dive Flag

The Dive Flag is used to indicate that a diver is present in the water. Prior to diving, the user must review local dive flag laws to decide which diver-down flag to display. Depending on the location, either the Alpha Dive Flag (blue-and-white) or the Red-and-White Dive Flag must be installed onto the Snorkel Tube.

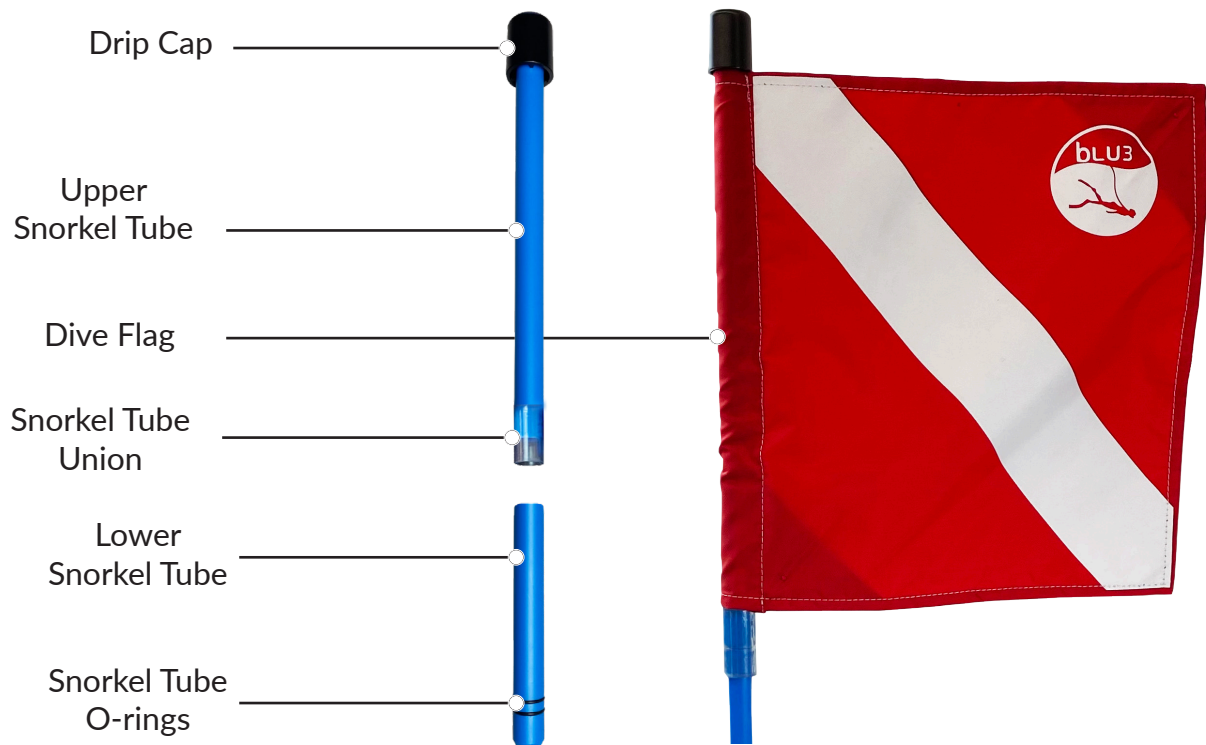
WARNING

Always use the proper Dive Flag while diving. Absence or improper use of a “diver down” Dive Flag will increase risk of being struck by watercraft, which could result in serious injury or death.

Follow these instructions to install the Dive Flag:

1. Remove the Drip Cap from the Snorkel Tube.
2. Decide which Dive Flag is appropriate for your dive location.
3. If the wrong Dive Flag is on the Snorkel Tube, remove it by pulling the bottom of the Snorkel Tube out from the black elastic at the bottom of the Dive Flag.
4. Install the correct Dive Flag by inserting the top of the Snorkel Tube into the black elastic at the bottom of the Dive Flag.
5. Slide the Snorkel Tube through the elastic until the Snorkel Tube extends out of the top of the Dive Flag by about 1.25 inches.
6. Replace the Drip Cap by pressing it down on top of the Snorkel Tube.

Snorkel Tube Diagram



7.5 Adjusting the Harness Attachment Point

The Harness Attachment Point is installed on the Air Hose near the Smart Reg and is adjustable so that the user can modify the length of hose between the Harness Attachment Point and the Smart Reg. It is important the proper length be set so the user has no restrictions of head movement while diving. The proper length will change based on each user.

Follow these instructions to adjust the Harness Attachment Point:

1. Hold the Smart Reg Mouthpiece in your mouth with your left hand.
2. Hold the Air Hose with your right hand and place it on the back of your neck.
3. Rotate your head in all directions.
4. Observe the length of the Air Hose and check for tension or excess hose length.
5. Adjust your right hand until the hose length is the proper length. It should be long enough to not cause any tension, and short enough to not bunch up.
6. Keep your right hand in place on the Air Hose.
7. Gently place the Air Hose on a flat surface free of sharp objects.
8. Keep note of where your right hand was placed on the Air Hose.
9. Gently rotate the Harness Attachment Point until it is located in the spot that your right hand was holding the Air Hose on your neck.

NOTICE

Rotate the Harness Attachment Point to increase or decrease the Air Hose length to the Smart Reg.



⚠ WARNING

Always check and adjust the Harness Attachment Point prior to diving. If the Air Hose length is too short for the user, the Smart Reg could be pulled from the user's mouth while diving, leading to an out-of-air situation.

7.6 Donning the Dive Harness

It is important to properly adjust the Dive Harness prior to diving. The Dive Harness prevents tension from being placed on the Smart Reg Mouthpiece. Follow these instructions to attach the Dive Harness to your body:

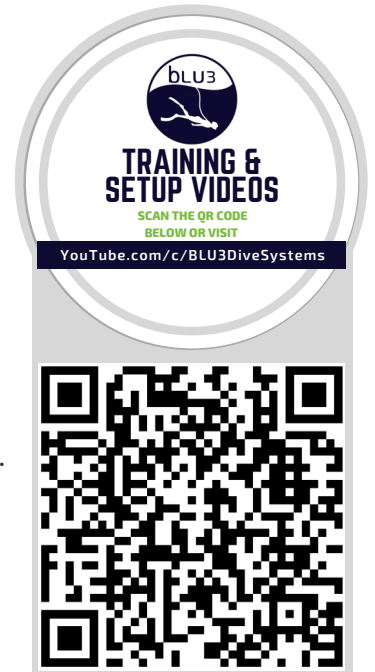
1. Confirm the Dive Harness is properly attached to the Harness Attachment Point.
2. Hold the large male buckle and pull its D-ring to loosen it up as much as possible.
3. Hold the Dive Harness out in front of your chest with your right hand on one side of the Harness Attachment Point and your left hand on the opposite side of the Harness Attachment Point.
4. Adjust the orientation of your hands such that your right hand is on the same side as the Smart Reg and your left hand is on the opposite side.



5. Lift the Dive Harness above and then behind your head.
6. Place the Harness Attachment Point on the back of your neck.
7. PHOTO: Harness Attachment Point on back of neck with hands on each side.
8. Allow the Smart Reg to hang down over the front of your right shoulder.



9. Allow the right side of the Dive Harness to hang down over the front of your right shoulder.
10. Allow the left side of the Dive Harness to hang down over the front of your left shoulder.



11. Using your right hand, take the large male buckle and strap around the back of your body.



12. Grab the large male buckle with your left hand and release it from your right hand.
13. Place your right hand on the large female buckle.
14. Using your left hand, bring the male buckle up to mate with the large female buckle.



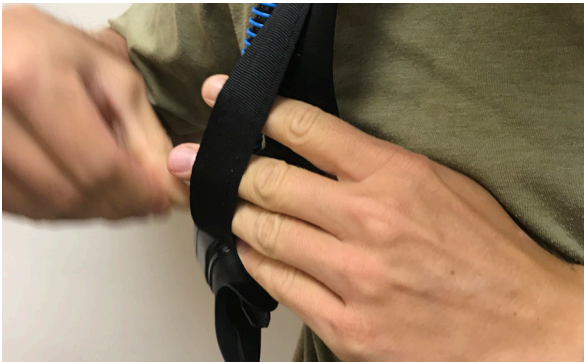
15. Hold the large male buckle with your right hand and pull its D-ring with your left hand until the Dive Harness is snug on your body, but not to the point that it pulls back on your shoulders.



16. Confirm the Harness Attachment Point is centered on the back of your neck.
17. Locate the small female buckle on the right side of your chest.
18. Locate the small male buckle on the left side of your chest.
19. Clip the two small buckles together. The chest strap should be horizontal across your chest.



20. If the chest strap is not horizontal and it is on an angle with respect to the ground, use the hook-and-loop on the right side of your chest strap to adjust the height of the small female buckle. Lift the top fabric up, move the female buckle up or down, then press the fabric back down until it is secure.



Lifting up on hook-and-loop



Adjust height buckle



Pressing down on hook-and-loop

21. Confirm the chest strap is now horizontal. If not, repeat step 20 until it is horizontal with respect to the ground.



*Chest strap horizontal across chest
(CORRECT POSITION)*



*Chest strap angled across chest
(INCORRECT POSITION)*

22. Pull the small D-ring on the male buckle of the chest strap until the Dive Harness feels secure against your body.



Pulling D-ring to tighten chest strap



*Maximum distance Harness Attachment Point
should lift off of neck*



*INCORRECT distance of Harness Attachment Point
lifting off of neck*

23. Always be prepared to remove the Dive Harness in case of entanglement. For instructions on removing the Dive Harness, refer to **Section 9.2 on Page 35** and refer to the BLU3 Online Dive Training Course.



8 Startup Instructions

⚠️WARNING

Confirm the user has successfully completed the BLU3 Online Dive Training Course. Use of Nomad without completion of the training course may result in serious injury or death.

⚠️WARNING

Confirm the user has completed the BLU3 Fitness to Dive Evaluation and is medically fit to dive. Use of Nomad without full compliance with the BLU3 Fitness to Dive Evaluation may result in serious injury or death.

⚠️WARNING

Confirm the user has read and understands this Owner's - Users Manual in its entirety. Use of Nomad without full understanding of this Owner's - Users Manual may result in serious injury or death.

⚠️WARNING

Using Nomad outside of its intended use as described in Section 3.2 on Page 9 can allow water to enter the breathing air supply and may lead to an out-of-air situation. Prior to diving, always confirm that the weather and conditions are suitable for using Nomad.

⚠️WARNING

Damage to the Battery case may allow water to leak into the battery which may result in system damage, fire, burns, and out-of-air hazards. Do NOT use a Battery with an outer case that has been damaged or shows signs of damage.

⚠️WARNING

Failing to complete the Component Inspection Checklist (Table 8.1.1 below) may result in system failure during the dive and result in an out-of-air situation or water entering the breathing air supply. Always complete the Component Checklist prior to diving with Nomad. If a problem exists, do not dive Nomad until it has been resolved. Failure to comply with these instructions may result in serious injury or death.

⚠️WARNING

Nomad must be operated while in water for cooling purposes. Allowing Nomad to run out of water for periods of time longer than approximately twenty seconds will result in overheating and may cause permanent damage, reduced air flow to the diver, contaminated air, and out-of-air hazards.

⚠️WARNING

Do not disassemble or physically modify Nomad. Disassembly or modification to Nomad may increase the risk of electrical shock, thermal, and other hazards which may lead to serious injury or death. Repair and disassembly shall only be performed by BLU3.

8.1 Component Inspection

1. Carefully unpack and gently set all components on a flat surface. Remove the Nomad Air Hose from the bungees and set it, coiled up, on a flat surface away from any sharp objects.
2. Inspect all components to ensure parts are in place, firmly attached, and free of damage.

Component Inspection Checklist

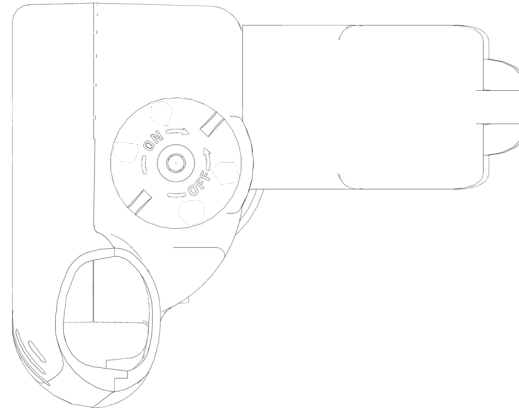
Power Cable O-ring	<ul style="list-style-type: none"> • Confirm the O-ring inside the Nomad power cable connector is present and fully intact without damages.
Battery	<ul style="list-style-type: none"> • Confirm the outer edges are fully sealed, no gaps. • Confirm there is no damage or cracks. • Confirm the LED gauge lights up and the amount of charge is understood by the user.
Snorkel Tube Union	<ul style="list-style-type: none"> • Confirm each side of the snorkel tube is fully inserted into the Snorkel Tube Union and each side of the snorkel tube meet about halfway through the Snorkel Tube Union so that it is snug and will not slide out during use.
Redundant Air Source	<ul style="list-style-type: none"> • You should always wear a redundant air source while Nomad diving. Follow the instructional manual of your redundant air source for the startup instructions, including filling with air and preparing for diving. We recommend Spare Air: spareair.com.
Snorkel Tube O-rings	<ul style="list-style-type: none"> • Confirm both O-rings are present. • Confirm the O-rings are fully seated in their grooves. • Check for scratches, nicks, tears, sand, dirt and clean or replace as necessary.
Dive Flag	<ul style="list-style-type: none"> • Confirm the appropriate Dive Flag is installed on the Snorkel Tube.
Drip Cap	<ul style="list-style-type: none"> • Confirm the Drip Cap is fully inserted onto the Snorkel Tube.
Smart Reg Mouthpiece	<ul style="list-style-type: none"> • Confirm there are no tears, holes, sand or dirt on the mouthpiece. • Confirm the zip tie is in good condition and holds the Mouthpiece securely on the Smart Reg.
Smart Reg Hose Cuff	<ul style="list-style-type: none"> • Confirm there are no tears or holes in the cuff. • Confirm the zip tie is in good condition and holds the cuff securely in place.
Smart Reg Purge Button	<ul style="list-style-type: none"> • Confirm there are no tears or holes in the silicone face of the Purge Button. • Confirm there is no buckling, folding, or gaps between the Purge Button and the Smart Reg housing.
Air Hose	<ul style="list-style-type: none"> • Confirm there are no punctures, holes, kinks or binds in the hose.
Harness Attachment Point	<ul style="list-style-type: none"> • Confirm the Harness Attachment Point is properly attached and not damaged. • Confirm the Dive Harness buckles, attachments and webbing are all in good condition.

Table 8.1.1 : Component Inspection Checklist

⚠️ WARNING

Nomad may abruptly stop delivering air at any time due to a number of different reasons, leading to an out-of-air hazard. You should always wear a redundant air source while Nomad diving. Confirm that your redundant air source is filled with air and ready for diving before entering the water. Follow the instructional manual of your redundant air source for more information.

3. Ensure the Smart Reg Knob is rotated to the OFF position. The knob is in the OFF position when it is rotated counterclockwise until it stops.



Knob in OFF position

4. Ensure the Battery is sufficiently charged.

NOTICE

It is advised to always begin a dive with a fully charged Battery.

5. Inspect the gold-colored electrical contacts to ensure there is no physical damage or corrosion. There are four contacts on the Power Cable and two on the Battery Connector.

WARNING

Damage or corrosion to the electrical contacts may reduce system performance and result in insufficient air flow and lead out-of-air hazards. Do not operate Nomad if corrosion exists on any of the electrical contacts. Refer to Section 13.3 on Page 45 for instructions on cleaning electrical contacts.

6. Inspect the Power Cable Connector to ensure that the o-ring is present, without damage or dirt.

WARNING

Damage or absence of the Power Cable O-ring can allow water to touch the battery contacts, which may result in a failure of the Battery and result in out-of-air hazards. Do not operate Nomad if the O-ring is absent, dirty or damaged.



*Power Cable O-ring in the Power Cable Connector
To order a replacement O-ring, diveblu3.com/support*

8.2 Powering Up

7. Remove the Battery Door and position the Battery so that it is partially installed, providing easy access to the Power Cable.
8. Remove the intake plug on top of the Nomad handle. This is critical to the startup - do not forget to do this!
9. Insert Power Cable to Battery Connector until you hear/feel a click and prepare to listen for audible beeps from Nomad.



Inserting Battery into the Battery Compartment (No. 7)



Power cable connector connected to Battery (No. 8)

10. Count any audible beeps that are prior to the musical startup tone.
11. If there are more beeps than the musical startup tone, refer to **Section 14.1 on Page 48** for information on the meaning of audible beeps.
12. Confirm that the connector is fully installed.

⚠WARNING

A partially tightened battery connector can allow water to touch the battery contacts. This may result in a failure of the Battery and result in an out-of-air situation. Always confirm the Power Cable connector is fully installed onto the Battery Connector prior to the use of Nomad.

13. Insert the Battery into the Battery Compartment and install the Battery Door until it is fully seated. The lip of the Battery Door should mate with the groove in the Battery.

⚠WARNING

Always keep the Battery Door installed while operating Nomad. Operating Nomad with the Battery Door removed may lead to electrical shock which may lead to serious injury or death. Do NOT operate Nomad if the Battery Door is removed.



Removal of Intake Plug is Critical for Start-up



Plug is located on Nomad's Handle



Fully threaded connectors with battery and battery door completely installed

8.3 Inflating and Attaching the Dry Bag Float

12. Inflate the Dry Bag Float by following these instructions:
- Keep sharp objects away from the Dry Bag Float at all times.
 - Insert your dry items as far into the Dry Bag Float as possible. Do not insert any sharp objects into the Dry Bag Float.
 - Roll the edge and clip the buckles to seal the edge.
 - Open up the oral inflation valve on each side of the Dry Bag Float and blow air into each of the chambers equally.
 - Completely close each of the valves and confirm that the Dry Bag Float is sealed air tight.



Inflated DryBag

13. Use two of the smaller (4 inch) bungee ball ties to fasten the dry bag float to the air hose right in front of Nomad as shown in the image below. This position will help to keep Nomad from nose diving in case you are swimming against a strong current.



Nomad with Dry Bag Float

BLU3

TRAINING & SETUP VIDEOS

SCAN THE QR CODE
BELOW OR VISIT

YouTube.com/c/BLU3DiveSystems

8.4 Installing the Snorkel Tube

14. Check local diving regulations and confirm that the proper Dive Flag is installed onto the Snorkel Tube. If you do not have the proper Dive Flag, you will need to order one from BLU3 at diveblu3.com/support.

⚠WARNING

Absence or improper use of a “diver down” Dive Flag will increase risk of being struck by watercraft, which could result in serious injury or death.

Refer to **Section 7.4 on Page 18** for instructions on installing or replacing your Dive Flag.

15. Connect the Lower Snorkel Tube by inserting it into the Snorkel Tube Union. Install the Snorkel Tube by gently pressing the double O-ring end into the Nomad Intake orifice such that both O-rings are fully inside the Intake. Be sure the O-rings remain in their grooves when inserted; remove and repeat if the o-rings are dislodged from their grooves during insertion.

⚠WARNING

Damage to the Snorkel Tube O-rings or Drip Cap can result in decreased system performance and water intrusion to the air supply, causing out-of-air hazards. Do not operate Nomad before confirming the Snorkel Tube is properly assembled and installed.

16. Confirm the Drip Cap is pressed down fully on top of the Snorkel Tube to prevent foreign debris and water from entering the air intake.

Dive Flag Illustration



*Alpha Dive Flag

8.5 Gearing Up

17. Locate your dive gear including, but not limited to, dive mask and dive fins. Keep it within arms reach.
18. Confirm the Dive Harness is properly installed onto the Hose Attachment Point and properly attach the Dive Harness to the user's body. If you are wearing a redundant air source, attach it to the Dive Harness before installing to the user's body. Make sure that it is snug and can be easily accessed while diving. Here is an example of using the Spare Air 3000 with the Nomad Dive Harness:



Spare Air attachment to harness



User wearing Spare Air

⚠WARNING

Improper installation of the Dive Harness may result in increased tension on the Smart Reg mouthpiece and pull the mouthpiece out of the user's mouth, resulting in out-of-air hazards. Always confirm the Dive Harness is properly installed and attached to the user before operating Nomad. For instructions on proper assembly and donning of the Dive Harness, refer to Section 7.6 on Page 21.

⚠WARNING

Always place Nomad in the water while diving. NEVER allow Nomad to run for extended periods outside of water as this will cause overheating and may cause permanent damage, reduced air flow to the diver, contaminated air, and out-of-air hazards. Always leave Nomad in the OFF position or with the battery disconnected when not in use and during transport.

8.6 Pre-Dive Check

19. Turn the Smart Reg Knob to the ON position by gently rotating it clockwise until you feel it stop.

⚠WARNING

Partial rotation of the knob into the ON position will result in reduced or intermittent air flow, which may lead to out-of-air hazards. Ensure the knob is fully rotated to the clockwise direction prior to diving and do not adjust the knob while diving.

Confirm that the knob is fully rotated to the ON position by confirming that the finger grooves on the knob are pointing up and down.

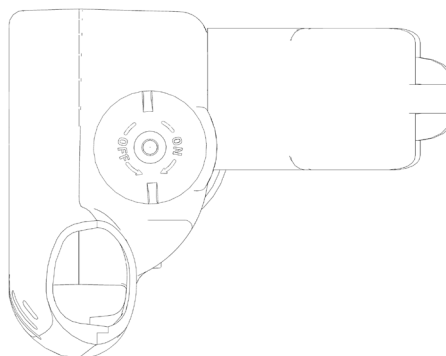


Figure 8.6.1

Shows knob in full ON position

20. Air should not be free-flowing from the Smart Reg when the ON/OFF Knob is in the ON position unless the Purge Button is pressed. If air is free-flowing, refer to **Section 13.6 on Page 46**.
21. Press the Purge Button to confirm Nomad is on and functioning properly and to confirm water does not come out of the Mouthpiece or exhaust vents. Air should flow out of the mouthpiece when the user presses the Purge Button. If water is coming out of the Smart Reg, refer to **Section 13.4 on Page 45** for instructions on clearing Nomad of water. If air is not flowing, refer to **Section 14.5 on Page 51**.

Do NOT operate Nomad for more than 20 seconds while out of the water.

22. Place your lips over the outside of the Mouthpiece.
23. Exhale and cautiously inhale from the Smart Reg to confirm that Nomad is functioning properly. Air should flow from the mouthpiece into the user's mouth upon gentle inhalation. If air is not flowing, refer to **Section 14.5 on Page 51**. Air should easily vent out of the Smart Reg upon exhalation.
24. Return the Smart Reg knob to the OFF position until the user is ready to dive.

NOTICE

Keeping the knob in the OFF position while Nomad is powered on but not diving will save power and protect from unnecessary pumping.

25. Use the Startup Checklist in **Table 8.6.2 below** to confirm that each Pre-Dive Check has been completed and the unit is functioning properly.

Startup Checklist

System Inspection: components intact, in-place, un-damaged and functional
Smart Reg Knob set to OFF
Battery level is fully, or at least sufficiently, charged
Battery installed with intake plug removed and connector is tight/waterproof Startup tone, Smart Reg Knob ON, Nomad is pumping & air flows on inhalation
Smart Reg Knob OFF until ready to dive
Dry Bag Float inflated and sealed and properly attached to Nomad
Dive Flag, Drip Cap, O-rings and Snorkel Tube properly attached
Dive Harness attached to Air Hose
Hose length between Smart Reg and Dive Harness properly adjusted
Dive Harness adjusted properly for diver and easy to remove quickly if necessary

Table 8.6.2: Startup Checklist

8.7 Beginning the Dive

26. Turn the Smart Reg Knob to the ON position.
27. Gently place Nomad into the water and uncoil the Air Hose.

⚠ WARNING

Dropping or throwing Nomad into the water with hard impact may cause system failures that may lead to out-of-air hazards. Always place Nomad into the water gently with low impact.

28. Begin the dive and have fun, but be safe! Always follow the instructions in the BLU3 Online Dive Training Program and this Owner's - Users Manual when diving.
29. Be prepared to make a controlled ascent to the surface at all times in case of an out-of-air situation.

⚠ WARNING

Do not operate Nomad with the hose coiled around the shell. Always uncoil and remove the entire air hose from Nomad prior to use. Failure to uncoil the Air Hose from Nomad prior to diving may result in decreased stability or cause system failures that may lead to out-of-air hazards.





9 Diving Considerations

Refer to this section only for guidance on the use of equipment. Do NOT refer to this section for diving technique or safety. Dive training shall be acquired from the BLU3 Online Dive Training Course and professional instruction. Find the BLU3 Online Dive Training Course at diveblu3.teachable.com. SCUBA Certification is strongly recommended prior to diving with Nomad.

⚠ CAUTION

Problems with pressure equalization in the middle ear are common in diving and may result in ear barotrauma. Severe barotrauma may require urgent care. If symptoms of dizziness or severe ear pain are experienced during or after diving, the diver should see a doctor immediately.

Refer to the BLU3 Online Dive Training Course for information on how to equalize your ears while diving.

9.1 Air Hose Management

The Air Hose is designed to float and be flexible, anti-kinking, light weight and durable. The Nomad Air Hose must be handled with care.

⚠ WARNING

Air Hose damage will result in reduced Nomad longevity and may result in water entering the pump, water in the air supply, reduced air supply, and out-of-air hazards. Take care to not alter or damage the Air Hose by excessive pulling, stretching, crushing, puncturing, melting, or other damage.

Do NOT hold or carry Nomad by the Air Hose, step-on, pinch, crush, puncture, melt, or degrade the Air Hose material. Take care when stowing or packing Nomad that the Air Hose is not kinked anywhere.

⚠ WARNING

Nomad's Air Hose can cause entanglements and tripping hazards. When walking or swimming with Nomad, ensure the Air Hose is handled in a manner to avoid damage and hazards.

Take care when carrying Nomad that the Air Hose doesn't drag/abrade against the ground or snag on obstacles. Depending on the user's height, excess Air Hose may need to be held up away from the ground until water entry. Remove tangles, knots, and kinks when preparing to dive with Nomad so that the Air Hose drapes in a smoothly curving, gently draped path from Nomad to the dive harness.

⚠ DANGER

Underwater entanglement when out-of-air, such as after battery depletion, will result in drowning. Remain mindful of entanglement hazards and Air Hose location in consideration of the particular conditions at the dive site. Ensure practice and proficiency in removing the Dive Harness so that the diver can remove the harness and conduct a controlled-ascent, open airway, free swim to the surface in the event of an emergency.

While diving be cognizant of the Air Hose location; especially where the Air Hose may be prone to snagging or wrapping around other Nomads at the surface.

9.2 Removing the Dive Harness

The user must always be prepared to completely remove the Dive Harness. In case of underwater entanglement, the user may be required to remove the Dive Harness rather than attempt to free the Dive Harness or Air Hose from an entanglement. Another situation in which the user may need to quickly remove the Dive Harness is if a boat snags the Air Hose and pulls Nomad and the diver.

Prior to your first dive, practice the following instructions until you have proficiency in removing the Dive Harness and always be prepared to remove the Dive Harness while diving. Refer to the BLU3 Online Dive Training Course for further instructions on how to remove the Dive Harness.

1. Using your right hand, locate the small buckles on the Chest Strap.
2. Unclip the buckles of the Chest Strap immediately upon locating the buckle with your right hand by pressing in on the prongs of the male buckle.



Unclipping the Chest Strap using right hand

3. Using your left hand, locate the mated large buckles of the Dive Harness near the left shoulder.
4. Unclip the buckles of the Dive Harness immediately upon locating the buckle with your left hand by pressing in on the prongs of the male buckle.



Unclipping the large buckle using left hand

5. Push excess lengths of the Dive Harness away from your body and remove all potential entanglements with your body.
6. Make a safe ascent to the surface using the emergency diving techniques taught in the BLU3 Online Dive Training Course.



9.3 Battery Life

9.3.1. Battery Charge Planning

⚠ DANGER

Remaining underwater until the battery is fully depleted will result in out-of-air hazards. Always plan the dive based on knowledge of battery state of charge and dive time endurance based on the conditions to conclude the dive with spare battery charge remaining. Always remain close enough to the surface that you can perform a controlled-ascent, open-airway, free swim to the surface in case of an emergency.

Nomad's fully charged battery will provide for about 45 minutes of underwater breathing time, and will result in an out-of-air hazard if the battery becomes fully depleted during the dive. Actual dive time will vary depending on individual air consumption, operating depth, and age of the battery. Always end your dive before the Battery becomes fully depleted. With high levels of air consumption, a fully charged battery may last only 30 minutes or less.

Follow these instructions to plan your dive properly:

1. Check your Battery capacity (amount of charge.) Refer to **Section 7.3 on Page 17** for instructions on how to read your battery life.
2. Estimate your approximate dive time based on the Battery charge.

NOTICE

Dive time is based on many variables such as Battery charge and is not always the same from user to user, or from use to use.

3. Note the time that your dive begins.
4. Calculate the time that you expect your Battery to be fully depleted.
5. Plan a time to end your dive with plenty of extra time to make it back in case of a miscalculation, change in conditions, physical injury or other.
6. Monitor your dive time throughout the dive.
7. Conclude the dive at the planned time from step 5 with plenty of extra time to swim to the ending location.
8. Upon reaching the ending location, begin Shutdown. Refer to **Section 10 on Page 41** for Shutdown Instructions.

9.3.2. Low Battery Warning for the Diver

As Nomad's Battery gets closer to being fully depleted, Nomad will begin to sputter with small delays in air flow in the middle of each breath. These small delays will cause a pulsating sensation that will be noticeably different from normal air flow when the battery is fully charged. The pulsating sensation will become more frequent as the battery becomes increasingly discharged. When the pulsating sensation is first noticed, this is a signal that the diver should begin to slowly ascend to the surface and end the dive. Be cognizant of this low battery warning while diving so that you can make a controlled ascent to the surface prior to Nomad shutting off.

9.4 Smart Reg Operation

9.4.1. ON/OFF Knob

The Smart Reg knob has two hard-stops for OFF and ON positions. OFF mode is actually a sleep/standby mode. A fully charged battery would be half depleted in about a year if left connected to Nomad with the knob set to OFF. Therefore, always disconnect the battery for long-term storage.

With the Smart Reg knob set to ON, Nomad is constantly powering and checking its sensors waiting to detect breathing or pumping commands and control the pump motor. With the battery connected and the knob set to ON, a fully charged battery would be half depleted in about two days even if Nomad is not pumping.

⚠ WARNING

With Nomad powered on and Smart Reg knob set to ON, certain conditions such as shocks and vibrations can cause the pump to run unsupervised while out of water. Allowing Nomad to run for extended periods out of water will cause overheating and may cause permanent damage, resulting in reduced air output, contaminated air output, and out-of-air hazards. Always leave the knob in the OFF position during storage and transport and preferably with battery disconnected. Always place Nomad in the water while in use.

With the Smart Reg knob set to the ON position, Nomad is factory-set for an inhalation effort approximately equivalent to SCUBA regulators. The inhalation effort may be re-calibrated by qualified technicians if necessary, such as in the event of replacement of Smart Reg components, using the procedures in **Section 14.3 on Page 50**.

Because it is possible to stop air flow with the knob setting, we placed Nomad's ON/OFF knob at the location-of and within the control of the diver instead of at the surface.

⚠ WARNING

Rotating the Smart Reg Knob into the OFF position while underwater will result stop air flow resulting in out-of-air hazards. The Knob must be rotated to the ON position before the diver attempts to breathe underwater.

9.4.2 Inhale or Exhale - **Do NOT hold your breath.**

Nomad's behaviors are controlled by software acting upon input from sensors in the Smart Reg. In order for Nomad to function properly and for ultimate safety of the user, the user shall always maintain an open airway by either inhaling or exhaling. The diver shall never hold their breath.

⚠ DANGER

Lung over-expansion injuries and deaths have occurred in SCUBA divers caused by inhaling compressed air at depth and then breath-holding while ascending. While Nomad's maximum depth is limited, Nomad divers are still breathing compressed air at depth which may lead to lung over-expansion if the diver does not exhale properly during ascent. Always breathe normally while diving and do NOT hold your breath while ascending. Refer to the BLU3 Online Dive Training Course for further information and instruction.

NOTICE

Nomad may pump sporadically if a user is holding their breath underwater; this can serve as a reminder to either inhale OR exhale, but to never hold your breath.



9.4.3 Breathing Rhythm and Pump Speed

Nomad will pump more air when the user inhales deeper. With lighter inhales, the pump will run slower and pump less air to save energy. The pump will feel most smooth when the diver inhales deeply and the pump is running fast. When running slowly and conserving energy, the diver will be able to feel more vibration.

9.4.4 Purge Button Operation and Regulator Clearing Process

When water enters the Smart Reg, the diver has two options to remove the water. The first option is to exhale slowly and fully into the mouthpiece, which will force the water out of the exhaust ports. If this option does not clear the water or the diver is in a situation where this is not practical, the diver should use the Purge Button. By depressing the blue Purge Button located on the front of the Smart Reg, the system will automatically vent air through the Smart Reg, clearing the water out.

9.4.5 Free-Flow Stop

Free-flow is when the pump runs continuously causing air to continuously vent through the Smart Reg whereas normal inhalation and exhalation does not cause free flow.. When Nomad detects that free-flow has occurred for more than about 20 seconds, it stops pumping. The purpose of this feature is to prevent overheating, Battery drain, and stop continuous free-flow. To reset after it stops pumping due to continuous free-flow, the user must turn the Smart Reg ON/OFF Knob to the OFF position, then back to the ON position.

The user must be aware of the Nomad stop free-flow feature at all times, and especially when underwater, during which the pump stops pumping air and will result in out-of-air hazards. Follow these guidelines to manage situations of Free-Flow:

- i) Do NOT press the purge button to cause the pump to run more than 20 seconds at a time,
- ii) Perform a controlled safe ascent to the surface if the pump free-flows while diving because this is an error condition and the pumping will stop after 20 seconds,
- iii) Free-flow may occur if the Smart Reg is placed in water with the mouthpiece out of the diver's mouth and pointing up. If this occurs, then turn the ON/OFF Knob to the ON position, place the Mouthpiece in the diver's mouth and continue normal use.

9.5 Avoiding and Managing Hazards While Diving

⚠️WARNING

The user must successfully complete the BLU3 Online Dive Training Course to understand hazard avoidance and management. The contents of this Owner's - Users Manual are guidelines for equipment use and not intended to fully cover dive safety. Refer to the BLU3 Online Training Course prior to diving. Use of Nomad without completion of the training course may result in serious injury or death.

9.5.1 Air Hose Entanglement

The user shall remain aware of the surroundings and how they affect the Air Hose. The Air Hose must remain protected from abrasion with other objects and must not be in excessive tension. In the event that the Air Hose becomes separated during the dive, this will result in out-of-air hazards and the user will need to make a controlled safe ascent to the surface as described in the BLU3 Online Dive Training Course. In the event the Air Hose becomes entangled such that it cannot be freed, the user must remove the Dive Harness and make a controlled safe ascent as described in section 9.2 and in the BLU3 Online Dive Training Course.

9.5.2 Water Intrusion

Water intrusion to the user's air supply may occur for reasons such as failure to inspect the Snorkel Tube O-rings and installation, a problem with the Air Hose, or using Nomad outside of its intended use. Follow all instructions on the Component Inspection Checklist prior to diving. Do NOT use Nomad in bad weather or water conditions.

In the event of water intrusion, the user may need to make a controlled safe ascent to the surface without air supply. Be sure to exhale properly during all ascents. The user will then need to clear the water from the system. Refer to **Section 13.4 on Page 45** for instructions on clearing Nomad of water.

9.5.3 Contaminated Air Intake

The air that the user breathes from the Smart Reg comes from the area surrounding the Snorkel Tube. Therefore, the user must remain aware of the air quality in the environment that Nomad is operating.

⚠️WARNING

Never operate Nomad in an environment where toxic fumes are present - such as near boat engines, exposed chemicals, or fuel spills. Operating Nomad in an area with contaminated air will expose the user to breathing toxic air that may result in serious injury or death.

Always use Nomad in an area that has clean, open and well ventilated air.

9.5.4 Out-of-Air Situations

There are several reasons a diver may suddenly experience an out-of-air situation. The diver must always be prepared for a sudden and unexpected out-of-air situation. Proper response to an out-of-air situation is taught in the BLU3 Online Dive Training Course and should be periodically practiced with a dive professional.

⚠ WARNING

The diver must always be prepared for out-of-air situations. Failure to follow the instructions of the BLU3 Online Dive Training Course for procedures in out-of-air situations may lead to serious injury or death. The diver should practice proper response to out-of-air situations with a dive professional prior to diving.

9.5.5 Weight Belts

A diving weight belt may be used to achieve neutral buoyancy underwater while diving using Nomad.

⚠ DANGER

Weight belts may increase the risk of drowning hazards. Remove weight-belt at all times except immediately at the time of diving and always remain proficient in using the weight belt's quick-release mechanism. In the event of an out-of-air situation, the user must always be prepared to quick-release the weight belt.

In the event of an out-of-air hazard, the user shall always be prepared to use the quick-release of the weight belt.

Pre-dive Checklist

Successfully complete the BLU3 Online Dive Training Course and maintain diving proficiency
Complete Nomad assembly and startup
Maintain awareness of Air Hose attachment to Dive Harness, positioning, entanglement, and damage risks
Prepare all other gear (mask, fins, weight belt, etc.) according to dive training and proficiency
Follow the instructions of your redundant air source, if applicable (e.g. SPARE AIR.com)
Battery energy planning - confirm Battery charge and estimated time of use
Review procedure to stop free-flow
Rotate Smart Reg Knob to ON , purge to clear Smart Reg
Check air flow by breathing from Nomad before entering the water
Remain aware of and be prepared to respond to hazards at all times while diving
Reconfirm air flow and proper placement and function of all gear before submerging
Remain aware of air flow to avoid free flow during exhalation
Be prepared for an out-of-air situation requiring a controlled safe ascent
Do NOT hold your breath - this may disrupt air flow and result in serious injury or death
Remain aware of Low Battery Behavior feature causing pulsating sensation

Table 9.5.5: Pre-Dive Checklist

10 Shutdown Instructions

Follow these instructions to finish your dive safely, perform necessary maintenance, and perform the proper disassembly of Nomad:

10.1 Exiting the Water

1. Exit the water. While exiting the water, do not let the Air Hose as to not let it drag on the ground and protect it from entanglement, abrasion or puncture. Always be prepared to fall back into the water, which could result in an out-of-air situation.

⚠ DANGER

Unexpectedly falling into the water while wearing a weight belt may result in drowning hazards. Remove the weight-belt before or as soon as practicable after exiting water. Be ready to quick release the weight belt at all times during the dive and when near the water.

10.2 Systems Check

2. Press the Purge Button to confirm no water entered the Smart Reg while exiting the water. If water is in the air passage, refer to **Section 13.4 on Page 45** for instructions on clearing Nomad of water.

⚠ DANGER

Allowing water- especially sea water- to remain inside the Nomad pump, Air Hose and Smart Reg for extended periods may cause corrosion to internal components and growth of biological hazards such as mold and algae. This may result in contaminating the breathing air. Always avoid contaminants entering the air intake. Discontinue use and take corrective actions as soon as possible if contamination occurs.

3. If the air coming from the Smart Reg is free of water, turn the knob to the **OFF** position to prevent unintended running of the pump prior to powering down Nomad.

4. Reflect upon the dive and correct any problem with your equipment prior to further use.



10.3 Routine Maintenance Diving Shutdown

5. If a freshwater tank is available, fill the tank with clean freshwater and dunk Nomad in the freshwater tank all the way until the top of the Handle is submerged. Give it a few dunks before removing it from the tank. If a tank is not available, then thoroughly rinse Nomad and all wet components with fresh water, taking care to not allow any water into the Air Intake or on the Battery contacts. Open up the Battery Door and rinse water in through the opening behind the Battery Door to thoroughly rinse the internal components of Nomad.

NOTICE

Allowing water, especially sea water, to remain on Nomad components will result in accelerated wear and premature aging. Always fresh-water rinse and dry Nomad and components after use and before storage.

6. After fresh water rinse, tip Nomad in all orientations to drain water and dry the area around the electrical connector with a cotton towel.
7. Remove the Snorkel Tube from the Intake. Store in a clean dry place out of sunlight.
8. Detach the Dry Bag Float from the Nomad Air Hose.
9. Unclip and remove your dry items from inside of the Dry Bag Float when convenient.
10. Open each valve to fully deflate the Dry Bag Float. Keep away from sharp objects.
11. Loosely coil the Air Hose. Do not bungee around the Nomad Shell until the Battery has been removed.
12. Wrap up the Dive Harness.
13. Remove the Power Cable Connector from the Battery Connector and slide the Battery out of the Battery Compartment. Take care to make sure all the electrical contacts remain dry.
14. Install Intake Plug to prevent debris from entering the Nomad pump intake.
15. Charge the Battery. Do not store the Battery discharged, this will reduce the longevity of the Battery. It is advised to store the Battery at about 40% charge if storing for long periods of time.

Table 10 : Shutdown Checklist

Exit the water cautiously being aware of diver and equipment safety
Check for water pumping from the Smart Reg
Rotate Smart Reg Knob to OFF position
Thoroughly rinse all wet components with fresh water
Tip Nomad in all orientations to fully drain all water
Remove and store Snorkel Tube
Remove and store Dry Bag Float
Loosely coil Air Hose and Smart Reg
Remove Battery, taking care to keep electrical contacts dry
Install Intake Plug
Charge Battery appropriately for next use or storage

11 Storage Instructions

1. Confirm Nomad is clean and dry. Otherwise, perform a freshwater rinse and dry all components.

DANGER

Allowing water- especially sea water- to remain inside the Nomad pump, Air Hose and Smart Reg for extended periods may cause corrosion to internal components and growth of biological hazards such as mold and algae. This may result in contaminating the breathing air. Always avoid contaminants entering the air intake. Discontinue use and take corrective actions as soon as possible if contamination occurs.

2. Allow the components to thoroughly dry before storage. Avoid leaving Nomad components in extreme heat or prolonged exposure to sunlight. Heat and ultraviolet light will accelerate deterioration of components and may cause damage to Nomad.
3. Store the Air Hose by wrapping it around the Nomad Shell and using the bungees to keep it coiled up with a gradual bend all around. There should not be any kinks or tight bends. Keep away from sharp objects at all times.
4. Do not leave the Lower Snorkel Tube connected to the Snorkel Tube Union. If left installed for long periods of time, it may be exceptionally difficult to separate the two pieces in the future.
5. Store in a cool, clean and dry place. Do NOT store in a place where temperatures may exceed 60 degrees Celsius / 140 degrees Fahrenheit.

DANGER

Storing the Battery in temperatures above 60 degrees Celsius may lead to fires or explosions. Always store Nomad and the Battery in a cool, clean and dry place to avoid the risk of a fire, explosion or other damage.

6. For optimal Battery longevity, charge the Battery to approximately 40% charge at least every three months.

12 Traveling with Nomad

Nomad's Battery has a capacity of 144 Watt-hours (Wh). As of August 2021, The International Air Transport Association (IATA) specifies that a Battery of 144 Wh may be stored in either carry-on baggage or checked baggage only if it is securely stowed in the Battery Compartment and disconnected from the Power Cable. A maximum of two spare Nomad Batteries may be brought and must be packed in carry-on baggage only.

Nomad batteries are subject to Operator approval according to IATA and may require special permission to be brought on the airline. Always check with your specific airline company ahead of time. For more information, please refer to the most updated IATA guidelines on passengers travelling with lithium batteries.

The dimensions of the BLU3 Backpack are 19 x 13 x 11 inches. The user is responsible for determining whether the BLU3 Backpack will comply with the baggage dimension limits of the airline being used.



AIR TRAVEL CERTIFICATE

diveblu3.com/air-travel-certificates/

Keep this handy when you travel on an airplane with Nomad in case you are asked about the batteries.

13 Maintenance

13.1 Every 3 months

When Nomad is in storage, it is advised that the Battery be charged to approximately 40% capacity once every three months to maximize the longevity of the Battery. At these intervals, it is also advised that Nomad be powered up and run for a short amount of time, about 20 seconds, to move the parts within the pump. *Reminder:* Do NOT run Nomad for more than 20 seconds out of water to prevent overheating.

13.2 Every 100 dives

After every 100 dives it is advised that Nomad be shipped to BLU3 for routine service. BLU3 will confirm all components are in good condition and repair any components that have been damaged or worn. For instructions to check the number of dives accumulated on the Nomad, refer to **Section 14.2 on Page 49**.

13.3 If water gets onto electrical connections

In the event that water makes it onto the electrical contacts of the Battery or the Nomad Power Cable, the user should visually inspect the contacts for signs of corrosion. If corrosion is present on the electrical contacts, use a Q-Tip cotton swab soaked with white vinegar to remove the corrosion. Do NOT use anything abrasive as it could remove the gold-plating on the contacts. Once the corrosion is wiped away, then dry the electrical contacts.

13.4 If water gets into the Air Intake

If water gets into the Air Intake, it is important to remove the water, flush with clean fresh water and dry the internal parts as soon as possible.

Follow these instructions:

1. Pump fresh water into Nomad's Air Intake.
2. Power Nomad on.
3. Invert Nomad upside down so that the Air Intake is pointing toward the ground.
4. Observe for water draining from the Air Intake.
5. Turn the Smart Reg Knob to the ON position.
6. Press the Purge Button to run Nomad for 5-10 seconds while rotating Nomad in all directions.
7. Observe for water draining from the Smart Reg.
8. Hold the Air Hose close to the body of Nomad to a higher distance off of the ground than the rest of the Air Hose.
9. Run your hand along the Air Hose, lifting each point up to push water in the direction of the Smart Reg, until your hand reaches the end of the Air Hose.
10. Observe for water draining from the Smart Reg.
11. Repeat steps 2-9 until no more water drains from the Smart Reg or Air Intake.
12. For thorough drying prior to storage, leave the Nomad components in direct sunlight for at least eight hours.

13.5 If sand gets into the Air Intake

If sand or other similar contaminants enter the Air Intake, there is potential for damage to the internal components of Nomad. Refer to diveblu3.com/support for service.

⚠ WARNING

Do NOT operate Nomad if you suspect sand has entered the inside of the pump. Sand could damage internal components and lead to out-of-air hazards while diving.



13.6 Air free-flowing from the Smart Reg

Air free-flowing from the Smart Reg may indicate a problem with the Nomad pump or Smart Reg. You should NOT operate Nomad if the pump continues to free-flow after attempting to correct the free-flow using the ON/OFF Knob. If free-flow occurs during a dive, it may be possible to adjust the Smart Reg knob toward the OFF position in order to bring the dive to a controlled conclusion. If free-flow continues and cannot be stopped, the user should discontinue use and refer to diveblu3.com/support.

13.7 If the Mouthpiece is damaged

A damaged mouthpiece could lead to water intrusion to the Nomad air flow or become disconnected from the Smart Reg, leading to an out-of-air hazard. The mouthpiece shall be replaced if damaged.

To replace the Smart Reg Mouthpiece, follow these instructions:

1. Obtain a new mouthpiece. Any standard scuba regulator mouthpiece will work.
2. Obtain a UV-resistant zip tie with a width of 0.19", length of 8" and tensile strength of 75 lb.
3. Use a flush cutter tool to cut and remove the Mouthpiece zip tie that is holding the damaged Mouthpiece to the Smart Reg.
4. Remove the damaged Mouthpiece by sliding it off.
5. Discard of the old zip tie and damaged Mouthpiece.
6. Install a new Mouthpiece by pushing it all the way seated onto the Smart Reg.
7. Wrap the new zip tie around the groove on the Mouthpiece and push the end of the zip tie through the head of the zip tie.
8. Position the head of the zip tie at the bottom right of the Mouthpiece, away from potential interference with the user.
9. Pull the zip tie tight so the Mouthpiece cannot be pulled off.
10. Using a flush cutter tool to cut off the excess length of the zip tie.

13.8 If the Air Hose is damaged

The Air Hose may become damaged if not treated with care. The Air Hose is designed to withstand normal diving use, but may become damaged if it comes into contact with sharp objects or if exposed to abrasion. If the Air Hose is damaged do not use it. Return your Nomad to BLU3 for repair.

13.9 If the Snorkel Tube O-rings are lost or damaged

The Snorkel Tube O-rings are designed to withstand hundreds of uses, but could become damaged or lost if not treated with care. Do NOT operate Nomad if either or both of the O-rings are lost or damaged.

You may replace the O-rings by following these instructions:

1. Obtain O-ring(s) size O14, material EPDM, and durometer of 70A from BLU3 at diveblu3.com/support.
2. Remove old O-ring(s) from the Snorkel Tube using a small pointed object to pry the O-ring(s) out of the groove and slide it off the Snorkel Tube.
3. Discard of the old O-ring(s).
4. Apply O-ring lubricant to the new O-ring(s).
5. Install the new O-ring(s) by sliding it over the bottom of the Snorkel Tube and pushing it up and into and into one of the O-ring grooves.
6. Press the O-ring into the O-ring groove until it is fully smoothly seated all the way around the O-ring groove.
7. Test the fit of the new O-ring(s) by installing the Snorkel Tube into the Nomad Air Intake.

⚠WARNING

The fit should be snug and not loose. The Snorkel Tube should be able to be pressed into the Air Intake about one inch. If the O-ring(s) installed cause an improper fit of the Snorkel Tube, this could result in water in the air flow and out-of-air hazards while diving. Do NOT use the Nomad if the Snorkel Tube does not fit properly.

8. Refer to **Section 14.4 on Page 50** for instructions to check for leaks.

13.10 If the Dive Harness is damaged

The Dive Harness secures the Air Hose to the user's body and when adjusted properly prevents strain on the Mouthpiece. If your Dive Harness is damaged, do NOT dive, refer to diveblu3.com/support for a replacement, then follow the instructions in **Section 14.6 on Page 52**.

⚠WARNING

If the Dive Harness becomes damaged, do NOT dive with the Nomad until the Dive Harness has been replaced. Diving with a damaged Dive Harness could result in out-of-air hazards.

13.11 If the Harness Attachment Point is damaged

The Harness Attachment Point secures the Air Hose to the Dive Harness and when adjusted properly prevents strain on the Mouthpiece.

⚠WARNING

If the Harness Attachment Point becomes damaged, do NOT dive with the Nomad until the Harness Attachment Point has been replaced. Diving with a damaged Harness Attachment Point could result in out-of-air hazards.

Follow these instructions to replace your Harness Attachment Point:

1. Obtain a new Harness Attachment Point by referring to diveblu3.com/support.
2. Using a T10 Torx screwdriver, loosen each of the two screws holding the Harness Attachment Point together.
3. Remove the Harness Attachment Point halves and screws and discard them.
4. Lay the Air Hose on a flat table.
5. At the desired distance from the Smart Reg to the Dive Harness, place the Air Hose between the two halves of the Harness Attachment Point.
6. Align the ridges of the Air Hose with the grooves in each half of the Harness Attachment Point such that the two halves are flush with each other and not pinching any part of the Air Hose.
7. Using a T10 Torx Screwdriver tighten the screws evenly, alternating from one screw to the other until both are snug.
8. Gently pull the Air Hose away from the Harness Attachment Point to confirm it does not slide through the Harness Attachment Point. Do NOT pull with excessive force which could damage the Air Hose.
9. If the Air Hose slides through the Harness Attachment Point, tighten the two screws tighter and repeat steps 9 and 10. Do NOT over-tighten as this could snap the screws in half.
10. If the Air Hose still slides through the Harness Attachment Point, refer to diveblu3.com/support.

14 Troubleshooting

Disassembly of Nomad is not permitted by the user. Follow only the instructions in this section for troubleshooting. Do NOT disassemble or modify any components that are beyond the scope of this Users Manual.

14.1 If Nomad is Beeping an Error Code

Upon startup, Nomad will make a musical startup tone that is made up of four changing, high-pitched beeps. If other beeps occur prior to the startup tone, take note of how they sound and how many beeps occur. If you need to hear the beeps again, unplug the Battery for at least 5 seconds then plug it back in.

Error Code Meanings:

Number of Beeps Prior to Startup Tone	Meaning
1	Air flow is beginning to decline. Battery is getting low. Charge the Battery before diving.
2	Air flow is moderately reduced. Battery is close to fully depleted. Charge the Battery before diving.
3	Air flow is extremely low. Battery is depleted. Charge the Battery before diving.
8	ERROR Code: Smart Reg needs to be calibrated. Do NOT operate Nomad. Refer to diveblu3.com/support

14.2 Estimating Number of Dives on Nomad

The DiveOMeter is a feature designed to inform the user of how many dives the Nomad has performed. This information is important for scheduling routine maintenance. The DiveOMeter uses audible beeps to indicate the estimated number of dives.

NOTICE

The DiveOMeter is not precise and the actual number of dives will vary depending on the user, environmental conditions, and other factors. Use the DiveOMeter table only for an approximation of the number of dives.

Follow these instructions to activate the DiveOMeter:

1. Unplug the Battery for at least 10 seconds.
2. Turn the Smart Reg Knob to the ON position.
3. Connect the Battery to the Nomad Power Cable.
4. Perform steps 5-8 within the first 10 seconds after connecting the Battery.
5. Turn the Smart Reg Knob to the OFF position.
6. Turn the Smart Reg Knob to the ON position.
7. Turn the Smart Reg Knob to the OFF position.
8. Turn the Smart Reg Knob to the ON position.
9. Listen for the first three-digit audible beep coming from Nomad.
A zero will be represented by 5 fast, low-pitched beeps.
10. If you need assistance with estimating the number of dives, please send us an email at support@diveblu3.com. If possible, please include a video of the beeps and we can interpret the beeps for you.

14.3 Calibrating the Smart Reg

If the Smart Reg is not causing the Nomad to pump normally, it may need calibration. If you believe that your Smart Reg may need calibration, refer to diveblu3.com/support for help.

14.4 Identifying Leaks

If water is coming from the airway within intended use conditions, there may be a leak in a component of Nomad. Identifying leaks is a process of elimination that will need to be completed in steps. Follow the steps in the order below to identify the location of the leak.

14.4.1 Air Hose Leak Check

1. Follow the instructional steps 2-11 in **Section 13.4 on Page 45** to check for pre-existing water inside of Nomad.
2. Place Nomad on a flat surface out of the water and away from other objects.
3. Place only the Air Hose underwater. .
4. With Nomad's Air Hose submerged press the Purge Button for 10 seconds and look for air bubbles coming from the Air Hose.
5. Pause for 50 seconds while keeping Nomad's Air Hose submerged.
6. Repeat step 3 and 4 as many times as necessary.
7. Repeat the instructional steps 2-11 in **Section 13.4 on Page 45** to check for water inside of Nomad.
8. If water is found coming from Nomad, it is likely that the Air Hose is damaged. Do NOT operate Nomad and refer to diveblu3.com/support to have your Nomad serviced.

14.4.2 Pump Body Leak Check

NOTICE

Only proceed with the Pump Body leak check after the Air Hose is confirmed to be in good condition.

1. Follow the instructional steps 2-11 in **Section 13.4 on Page 45** to check for pre-existing water inside Nomad.
2. Place Nomad in the water and keep the top of the Flotation Shell above the water so that the seal between the Air Intake and the Snorkel Tube is not submerged at all.
3. With Nomad's Air Intake above the surface of the water, press the Purge Button for 10 seconds.
4. Pause for 10 seconds, while keeping Nomad's Air Intake above water.
5. Repeat step 3 and 4 as many times as necessary.
6. Repeat the instructional steps 2-11 in **Section 13.4 on Page 45** to check for water inside of Nomad.
7. If water is observed coming from Nomad, it is likely a leak in a component on the Pump Body. Do NOT operate Nomad and refer to diveblu3.com/support to have your Nomad serviced.

14.4.3 Snorkel Tube Leak Check

NOTICE

Only proceed with the Snorkel Tube leak check after the Air Hose and Pump Body are confirmed to be in good condition.

1. Follow the instructional steps 2-11 in **Section 13.4 on Page 45** to check for pre-existing water inside of Nomad.
2. Verify the Snorkel Tube is in place and properly seated at the Air Intake.
3. Place Nomad in the water and push the top of the Flotation Foam underwater so that the seal between the Air Intake and the Snorkel Tube is completely submerged.
4. With Nomad's Air Intake still submerged, press the Purge Button for 10 seconds.
5. Pause for 10 seconds, while keeping Nomad's Air Intake submerged.
6. Repeat step 3 and 4 as many times as necessary.
7. Repeat the instructional steps 2-11 in **Section 13.4 on Page 45** to check for water inside of Nomad.
8. If water is observed coming from Nomad, it is likely a leak in the Snorkel Tube O-rings or Snorkel Tube itself. Do NOT operate Nomad and refer to diveblu3.com/support for instructions to resolve the leak.

14.5 If Nomad is Not Pumping Air or Air Flow is Limited

If Nomad is not pumping air when you inhale on the Smart Reg or press the Purge Button, try each of the following steps before referring to diveblu3.com/support for additional information.

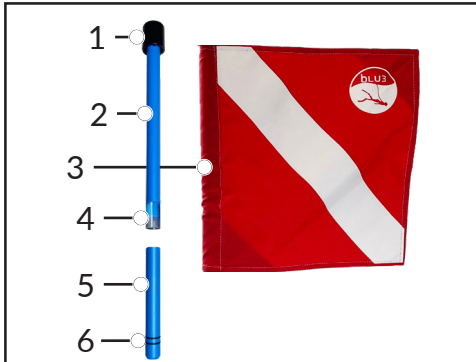
- Confirm the Smart Reg Knob is set to the ON position, as shown in Figure 8.6.1 on Page 31.
- Confirm the Battery is connected.
- Confirm the Battery is charged.
- Confirm the Intake Plug is not installed.
- If the Intake Plug was installed at the time the Battery was connected, disconnect the Battery, remove the Intake Plug and then reconnect the Battery.
- After disconnecting and reconnecting the Battery, confirm the audible beeps prior to the startup tone is 3 or less. For more information, refer to **Section 14.1 on Page 48**.

15 Parts and Service

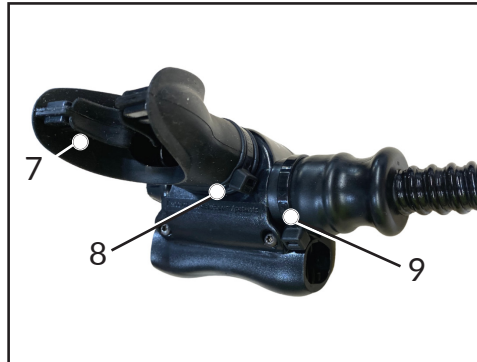
15.1 Replacement Parts

Replacement parts that can be replaced by the user are shown and listed below. If you need any of these parts, contact BLU3 directly by referring to diveblu3.com/support or search at the sources of supply listed in the Spare Parts Table below with the corresponding description of the part. Use this table for special disposal instructions of these parts.

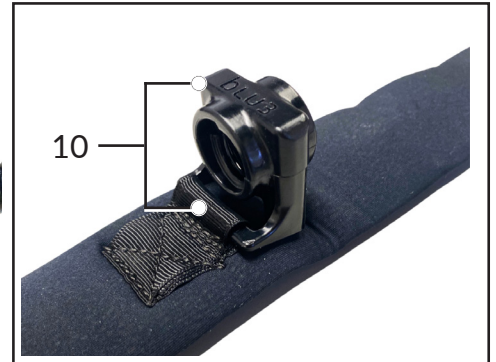
Replacement Parts



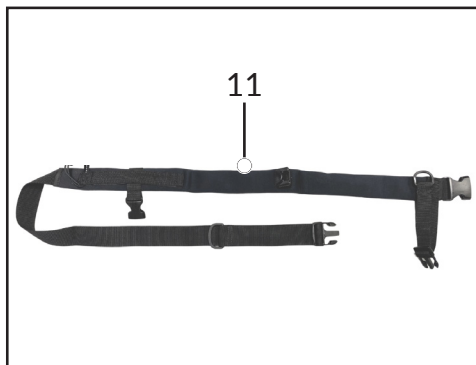
Drip Cap (1), Upper Snorkel Tube (2), Dive Flag (3), Snorkel Union (4), Lower Snorkel Tube (5), Snorkel Tube O-rings (6)



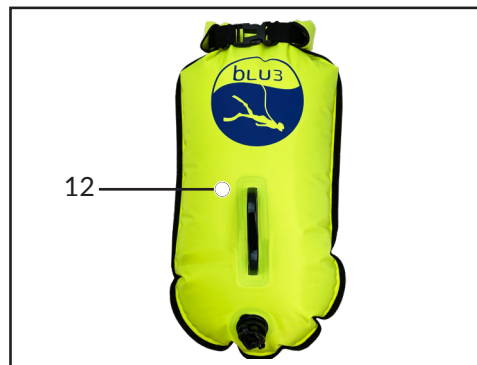
Mouthpiece (7), Mouthpiece Zip Tie (8), Hose Cuff Zip Tie (9)



Harness Attachment Point (10)



Dive Harness (11)



Dry Bag Float (12)



Battery (13), Battery Charger (14)

Spare Parts Table

Diagram Number	Part Name	Sources of Supply	Description	Disposal Method
1	Drip Cap	Only BLU3	Cap for placement on top of Snorkel Tube	Normal
2	Upper Snorkel Tube	Only BLU3	Upper half of the Snorkel Tube	Normal
3	Dive Flag	Only BLU3	Red and white or blue and white colored flag	Normal
4	Snorkel Union	Only BLU3	Connector piece for two Snorkel Tube halves	Normal
5	Lower Snorkel Tube	Only BLU3	Lower half of the Snorkel Tube, with o-ring grooves	Normal
6	Snorkel Tube O-ring(s)	BLU3, O-ring Suppliers, Online	Size: 014, Material: EPDM, Durometer: 70A	Normal
7	Mouthpiece	BLU3, Dives Store, Online	Standard diving regulator mouthpiece	Normal
8	Mouthpiece Zip Tie	BLU3, Hardware Stores, Online	UV-resistant, width: 0.19", length: 8", tensile strength: 75 lb	Normal
9	Hose Cuff Zip Tie	BLU3, Hardware Stores, Online	UV-resistant, width: 0.19", length: 8", tensile strength: 75 lb	Normal
10	Harness Attachment Point	Only BLU3	Two-piece clamp for attaching Dive Harness to Air Hose to user	Normal
11	Dive Harness	Only BLU3	Neoprene-covered webbing for attaching Air Hose to user	Normal
12	Dry Bag Float	Only BLU3	Inflatable float for attachment to Nomad	Normal
13	Battery	Only BLU3	Nomad Battery	WEEE
14	Battery Charger	Only BLU3	100-240V 50/60Hz Charger for Nomad Battery	WEEE

15.2 Sending Your Nomad In for Service

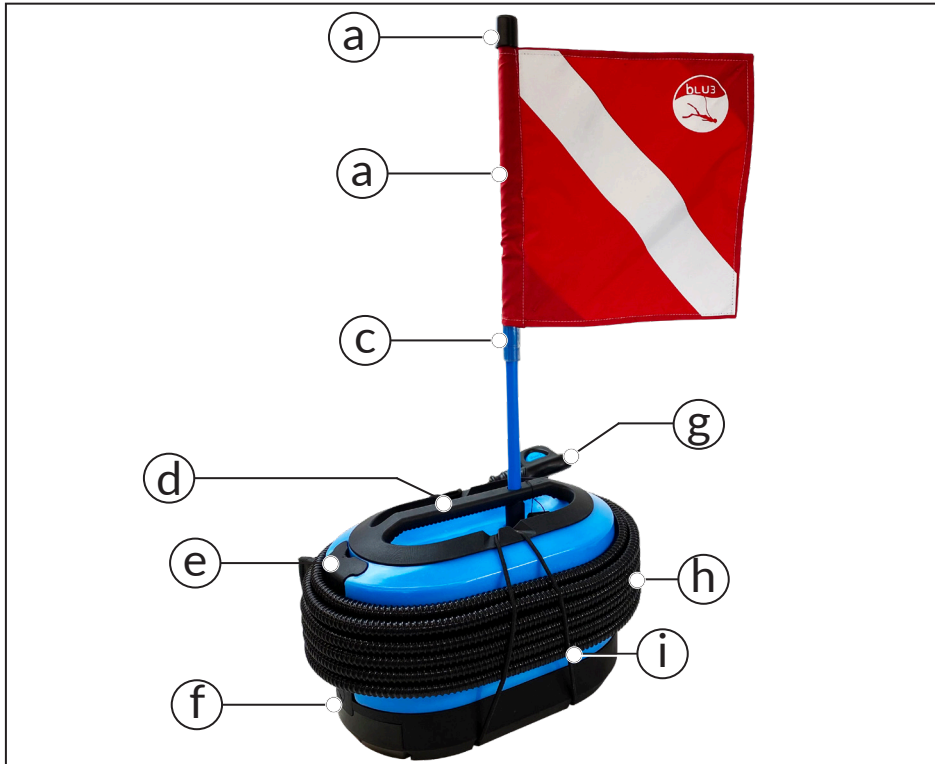
For service or repairs, refer to diveblu3.com/support

16 Patent Pending

The technology used in the design of Nomad is patent-pending at the time this Owner's - Users Manual is being written. Information on the patent may be found at diveblu3.com/patents.

17 Component Diagrams

1. Nomad Right View with Red-and-White Flag



- a. Drip Cap
- b. Snorkel Tube With Dive Flag
- c. Snorkel Tube Union
- d. Handle
- e. Battery Door
- f. Battery
- g. Smart Reg
- h. Air Hose
- i. Bungee

2. Nomad Top View



- a. Front
- b. Rear
- c. Left
- d. Right
- e. Intake

3. Dry Bag Float



- a. Dry Bag Float
- b. Bungee Ball Tie Attachments
- c. Oral Inflation Valve



APPENDIX A: Instructions to access additional information and BLU3 Online Dive Training Course

To find additional information, go to diveblu3.com.

To access the BLU3 Online Dive Training Course:

1. Go to diveblu3.teachable.com
2. Click “Enroll Now”
3. Sign up with your full name, email address and create a password
4. Click on “BLU3 Online Dive Training Course”
5. Click “Enroll in Course for FREE”
6. Click “Start next lecture”
7. Follow the instructions of the course and complete the course in its entirety.

APPENDIX B: BLU3 Fitness to Dive Evaluation

BLU3 FITNESS TO DIVE EVALUATION

Participant's Name: _____ Date of Birth: _____

Surface Supplied Air (referred to as SSA such as BLU3 equipment) diving with BLU3 Nemo and Nomad products is fun and exciting but can be a strenuous and demanding activity. As with any underwater activity using life support equipment pumping compressed air to a diver below the surface, there are inherent risks that may cause serious illness, injury and death. SSA divers need to be in good health to dive. If you have any questions about your medical, mental or physical fitness to dive, you should consult a physician to assess your individual risks factors.

This evaluation is to help you determine if you should be examined by a physician prior to diving. If you have any doubt about your fitness to dive, then you must obtain approval to dive from a physician. Failure to obtain a physician's approval to dive may significantly increase your risk of illness, injury or death. You are solely responsible for honestly evaluating your fitness to dive and you are ultimately responsible for your safety and wellbeing when swimming and diving.

Answer each question about your past and present medical history in the corresponding [NO] or [YES] box. If you are not sure of the correct answer, then answer "YES". A "YES" response indicates an increased risk factor that must be evaluated by a physician. If any of these conditions apply to you, then you must obtain approval to dive from a physician before SSA diving with BLU3 Nemo and Nomad products.

1. Are you currently being treated or under the care of a medical professional for a medical, mental or physical condition? [NO] [YES]
2. Do you take a prescription medication (not including birth control)? [NO] [YES]

Do you have or have you ever been treated for:

3. A heart, circulatory, blood, blood pressure, or bleeding abnormality? [NO] [YES]
4. A stroke, seizure, head injury, loss of consciousness, migraines, behavioral or neurologic condition? [NO] [YES]
5. An ear, sinus, mouth, throat or lung disorder – including asthma? [NO] [YES]
6. Diabetes, severe allergies, obesity, stomach or intestinal disorders? [NO] [YES]
7. Musculoskeletal, strength, stamina or mobility disorders? [NO] [YES]
8. Any type of medical implant that could be affected by immersion in water or change in ambient pressure? [NO] [YES]
9. A pacemaker or medical implant that may be affected by magnets? [NO] [YES]
(BLU3 Nemo and Nomad have strong magnets and therefore must not be used by persons with pacemakers or medical implants that may be affected by magnets.)

If you answered YES to any of these conditions, then you must be evaluated by a physician to approve your fitness to dive. You are responsible to obtain and keep a written document from the physician stating you are fit to dive. Documents for your physician to fill out are available at <http://diveblu3.com/fitness-to-dive-evaluation>.

Additionally, if you are under the influence of alcohol or recreational drugs, unable to swim, prone to panic attacks, unable to exercise good judgment or you are unable to be responsible for your own safety and wellbeing, then you have a significant increase to risks of illness, injury and death while in the water and you should unconditionally refrain from swimming or diving.



APPENDIX C: BLU3 Assumption of Risk, Waiver, Liability Release & Hold Harmless Agreement

Assumption of Risk, Waiver, Liability Release, and Hold Harmless Agreement

IMPORTANT – READ CAREFULLY – THIS AGREEMENT AFFECTS YOUR LEGAL RIGHTS!

Surface Supplied Air diving with BLU3 NEMO and NOMAD products is a fun and exciting way to explore the shallow depths of the underwater world. As with any underwater adventure that relies on air delivery equipment there are inherent risks that may result in serious illness, injury or death. Each NEMO diver assumes these inherent risks regardless of experience, age or environment just as swimmers and scuba divers assume these risks in supervised and unsupervised settings, at pools, open water, around watercraft and other water hazards. In consideration of using BLU3 dive gear the OWNERS/USERS expressly agree to the terms and conditions of this Assumption of Risk Liability Release, Wavier and Hold Harmless Agreement, (herein referred to as **AGREEMENT**).

“**OWNERS/USERS**” shall refer collectively to the following: each individual owner of a NEMO/NOMAD and BLU3 products, each individual user of a NEMO/NOMAD or BLU3 products, any person who suffers loss in the form of property damage, illness, injury, or death, including but not limited to family, heirs, assigns, entities or anyone who may have a claim, cause of action, legal right or other remedy as a consequence of property damage, illness, injury or death as a result of using BLU3 products.

“**RELEASED PARTIES**” shall refer collectively to the following: BLU3, Inc., Brownies Marine Group, Inc., including but not limited to their respective manufacturers, assemblers, distributors, retailers, service centers, owners, employees, representatives, agents, independent contractors, affiliates, consultants, investors, insurers, assigns, successors, and any other person or entity that may be liable to OWNERS/USERS for property damage, illness, injury or death as a result of a BLU3 product.

VOLUNTARY PARTICIPATION & INFORMED CONSENT: OWNERS/USERS voluntarily and with informed consent participate in activities using NEMO/NOMAD and BLU3 products with the understanding there are inherent risks of property damage, illness, injury and death associated with their use.

OWNERS/USERS EXCLUSIVELY BEAR THE FOLLOWING RESPONSIBILITIES:

- OWNERS/USERS are responsible for the safety of each person using NEMO/NOMAD and BLU3 products.
- OWNERS/USERS are responsible for reading and complying with the most recent edition of the Owner’s - Users Manual found at diveblu3.com/manuals
- OWNERS/USERS are responsible to verify all persons using NEMO have completed the BLU3 Online Dive Training Course.
- OWNERS/USERS are responsible to verify all persons using NOMAD have completed the BLU3 Online Dive Training Course.
- OWNERS/USERS are responsible for appropriately supervising each NEMO/NOMAD diver while they are in the water.
- OWNERS/USERS are responsible for each NEMO/NOMAD diver being medically, mentally and physically fit to dive using NEMO/NOMAD. See the BLU3 Fitness to Dive Evaluation at diveblu3.com/fitness-to-dive-evaluation
- OWNERS/USERS are responsible for at least one adult diver in the water to supervise and be responsible for each youth (under 18 years old) diving with NEMO/NOMAD or BLU3 products.

- OWNERS/USERS are responsible for properly checking each NEMO/NOMAD diver's buoyancy in accordance with instructions found at diveblu3.teachable.com
- OWNERS/USERS are responsible to ensure each NEMO/NOMAD diver is properly trained in and uses appropriate ascent procedures to avoid lung overexpansion injuries in accordance with instructions found at diveblu3.teachable.com
- OWNERS/USERS are responsible to ensure each NEMO/NOMAD diver only uses the NEMO/NOMAD and BLU3 equipment as designed and expressly intended.
- OWNERS/USERS shall be exclusively responsible and liable for any injuries and damages caused by NEMO/NOMAD and BLU3 products.

ASSUMPTION OF RISK: Each OWNER/USER of NEMO/NOMAD and BLU3 products expressly assumes full and complete risk of property damage, illness, injury and death as a result of use of RELEASED PARTIES equipment, failure to warn, inadequate instructions and/or product liability due to maintenance failure, defect or implied warranty. OWNERS/USERS expressed assumption of risk extend to each and every diver, person and/or entity that may suffer loss due to property damage, illness, injury or death associated with use of any RELEASED PARTIES products.

WAIVER & RELEASE OF LIABILITY: OWNERS/USERS expressly WAIVE and RELEASE the RELEASED PARTIES all liability and responsibility whatsoever resulting in property damage, illness, injury or death caused by negligence including gross negligence by the RELEASED PARTIES, whether the negligent act(s) were passive or active, direct or indirect, to the fullest extent allowed by law, even if WAIVING and RELEASING the RELEASED PARTIES is socially unacceptable or generally against public expectations. By signing this AGREEMENT the OWNERS/USERS expressly, completely and unconditionally agree not to sue the RELEASED PARTIES for negligence resulting in property damage, illness, injury or death.

HOLD HARMLESS & INDEMNIFICATION: OWNERS/USERS agree to HOLD HARMLESS and INDEMNIFY the RELEASED PARTIES from all claims, causes of action or lawsuits, arising from use of BLU3 products, including but not limited to the NEMO/NOMAD surface supplied air diving systems. This AGREEMENT obligates OWNERS/USERS to pay all costs to investigate, defend, pay judgments, court costs, attorneys' fees, etcetera incurred by RELEASED PARTIES to enforce this AGREEMENT.

LEGAL CONTRACT, GOVERNING LAW & SEVERABILITY: OWNERS/USERS understand this AGREEMENT is a contract giving up legal rights. This AGREEMENT shall be in full legal force from the date signed into the future until all claims and legal action against the RELEASED PARTIES have been fully resolved. All legal actions arising as a result of this AGREEMENT shall be governed by the Laws of the State of Florida and the exclusive venue and jurisdiction of any legal action shall be Broward County, Florida. If any portion of this AGREEMENT is found to be unenforceable or invalid, then that portion shall be severed and the remainder shall continue in full legal force. Any digital completion, signature, confirmation or electronic format of this AGREEMENT shall have full legal force as if it was an original signed document. The OWNERS/USERS voluntarily enter into this AGREEMENT based exclusively on the preprinted terms of the AGREEMENT without modification or relying on any other representations or assurances.

OWNERS/USERS have fully read, understand and agree to be legally bound by this AGREEMENT. By signing this AGREEMENT, OWNERS/USERS are giving up legal rights for myself and all others who may have a claim, on my or their behalf, against the RELEASED PARTIES as a result of property damage, illness, injury or death caused by NEMO/NOMAD and BLU3 products.

OWNERS/USERS Name:

Signature:

Date:



APPENDIX D: Limited Warranty

Nomad Limited Warranty

What is Covered

BLU3 products are warranted to be free of defects in materials and workmanship. BLU3 will repair, replace, or refund valid warranty claims, at our discretion. BLU3 shall not be liable for any special, incidental, or consequential damages beyond the wholesale purchase price.

What is not Covered

1. This warranty does NOT cover packaging and/or shipping charges to or from BLU3.
2. Inspection, service and/or labor charges are not covered and will be paid by the consumer.
3. Some parts are subject to wear, even under normal or minimal use. Components should be inspected for wear on a regular basis as instructed in the Nomad Owner's - Users Manual document. Replacement of worn items constitutes normal maintenance and is the responsibility of the owner.
4. This warranty does NOT cover damage resulting from the introduction of saltwater, gas, oil, sand, or other contaminants, normal wear, improper use, improper maintenance, neglect, alteration, or unauthorized repair.
5. This does not warrant that the product won't become obsolete at some point in the future.
6. In the event that Nomad is serviced or repaired by anyone other than BLU3, this warranty is void.

How Long Does this Coverage Last

This warranty lasts for one (1) year from the date of the original purchase of this product.

Who is Covered

To obtain the benefit of this warranty, you must have your product registered using the Product Registration form at diveblu3.com/support. To register your product, you need the serial number on your Nomad and the confirmation code that you will receive after completion of the BLU3 Online Dive Training Course. This limited warranty covers only the user who originally registers the product.

What BLU3 Will Do

BLU3 will repair any product that proves to be defective in materials or workmanship. BLU3 will repair or replace at BLU3's discretion.

How to Obtain Services

To obtain services, visit diveblu3.com/support and click on "SCHEDULE SERVICE." Once BLU3 contacts you with information about your service, you will need to deliver the complete product via prepaid transportation to BLU3.

No Other Express Warranty Applies

This warranty is the sole and exclusive warranty. No employee, agent, dealer, or other person is authorized to alter this warranty to make any other warranty on behalf of BLU3.

Limitation on Liability

BLU3 shall not be responsible for any incidental or consequential damages. Some countries, districts, or states do not allow the limitation or exclusion of relief, incidental, consequential, special, or indirect damages, or the limitation of liability to special amounts, so the above limitations or exclusions may not apply to you.

APPENDIX E: Checklists

Component Inspection Checklist

Power Cable O-ring	<ul style="list-style-type: none"> • Confirm the orange O-ring inside the Nomad power cable connector is present and fully intact without damages.
Battery	<ul style="list-style-type: none"> • Confirm the outer edges are fully sealed, no gaps. • Confirm there is no damage or cracks. • Confirm the LED gauge lights up and the amount of charge is understood by the user.
Snorkel Tube O-rings	<ul style="list-style-type: none"> • Confirm both O-rings are present. • Confirm the O-rings are fully seated in their grooves. • Check for scratches, nicks, tears, sand, dirt and clean or replace as necessary.
Dive Flag	<ul style="list-style-type: none"> • Confirm the appropriate Dive Flag is installed on the Snorkel Tube.
Drip Cap	<ul style="list-style-type: none"> • Confirm the Drip Cap is fully inserted onto the Snorkel Tube.
Smart Reg Mouthpiece	<ul style="list-style-type: none"> • Confirm there are no tears, holes, sand or dirt on the mouthpiece. • Confirm the zip tie is in good condition and holds the Mouthpiece securely on the Smart Reg.
Smart Reg Hose Cuff	<ul style="list-style-type: none"> • Confirm there are no tears or holes in the cuff. • Confirm the zip tie is in good condition and holds the cuff securely in place.
Smart Reg Purge Button	<ul style="list-style-type: none"> • Confirm there are no tears or holes in the silicone face of the Purge Button. • Confirm there is no buckling, folding, or gaps between the Purge Button and the Smart Reg housing.
Air Hose	<ul style="list-style-type: none"> • Confirm there are no punctures, holes, kinks or binds in the hose.
Harness Attachment Point	<ul style="list-style-type: none"> • Confirm the Harness Attachment Point is properly attached and not damaged. • Confirm the Dive Harness buckles, attachments and webbing are all in good condition.

Startup Checklist

System Inspection: components intact, in-place, un-damaged and functional
Smart Reg Knob set to OFF
Battery level is fully, or at least sufficiently, charged
Battery installed with intake plug removed and connector is tight/waterproof Startup tone, Smart Reg Knob ON, Nomad is pumping & air flows on inhalation
Smart Reg Knob OFF until ready to dive
Dry Bag Float inflated properly attached to Nomad
Dive Flag, Drip Cap, O-rings and Snorkel Tube properly attached
Diver Harness attached to Air Hose
Hose length between Smart Reg and Dive Harness properly adjusted
Dive Harness adjusted properly for diver and easy to remove quickly if necessary

Pre-dive Checklist

Successfully complete the BLU3 Online Dive Training Course and maintain diving proficiency
Complete Nomad assembly and startup
Maintain awareness of Air Hose attachment to Dive Harness, positioning, entanglement, and damage risks
Prepare all other gear (mask, fins, weight belt, etc.) according to dive training and proficiency
Battery energy planning - confirm Battery charge and estimated time of use
Review procedure to stop free-flow
Rotate Smart Reg Knob to ON , purge to clear Smart Reg
Check air flow by breathing from Nomad before entering the water
Remain aware of and be prepared to respond to hazards at all times while diving
Reconfirm air flow and proper placement and function of all gear before submerging
Remain aware of air flow to avoid free flow during exhalation
Be prepared for an out-of-air situation requiring a controlled safe ascent
Do NOT hold your breath - this may disrupt air flow and result in serious injury or death
Remain aware of Battery Energy Planning and planned dive time
Remain aware of Low Battery Behavior feature causing reduced air flow



Shutdown Checklist

Exit the water cautiously being aware of diver and equipment safety
Check for water pumping from the Smart Reg
Rotate Smart Reg Knob to OFF position
Thoroughly rinse all wet components with fresh water
Tip Nomad in all orientations to fully drain all water
Remove and store Snorkel Tube
Remove and store Flotation Tube
Loosely coil Air Hose and Smart Reg
Remove Battery, taking care to keep electrical contacts dry
Install Intake Plug
Charge Battery appropriately for next use or storage



NOTES

NOTES



diveblu3.com