

FISHER RESEARCH
LABS

F-PULSE

METAL DETECTING PINPOINTER

OWNER'S MANUAL



Do not use "ZINC-CARBON" or "HEAVY DUTY" batteries

F-Pulse features	4
Battery	
Low-Battery Warning.....	5
Critical Low-Battery	5
Waterproof Design	6
Operation	
On and Off	7
LED Flashlight.....	7
Program the Alarm-type & Sensitivity-level	8
Default Settings	8-9
Re-Tune	10
Ground-Mineral Calibration	10
Frequency Shifting.....	10-12
Re-Boot.....	12
Lost Mode and Auto Shutoff	13
Tips on How to Use Pinpointer	14
Specifications	14
Warranty	Back page

Congratulations on the purchase of your new F-Pulse Pinpointer.

The F-Pulse was designed to be the best-performing pinpointing probe on the market, answering the call from treasure hunters who demand a robust, modern design and a probe that maintains high sensitivity in the most demanding environments.

The F-Pulse is a waterproof, pulse induction detector. An advanced pulse induction design allows the F-Pulse to operate in environments where other pinpointers fall short. Whether in heavily mineralized soils or saltwater, this pinpointer goes deeper and guarantees stable operation where competitive products false or lose sensitivity.

Throw away your 9-volt batteries folks. Welcome to the 21st century!

F-Pulse is ergonomic and features easy-to-use one-button operation. It was designed by treasure hunters to take your treasure hunting performance to the next level.

F-PULSE

Your F-Pulse pinpointer offers many great features:

Function:

- Single-Button Operation
- Adjustable Sensitivity
- Rapid Retune
- Lost Alarm Feature

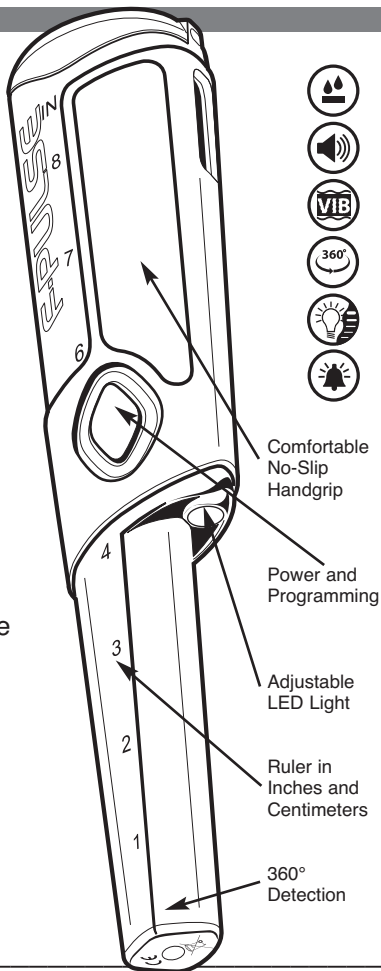
Performance:

- 360-degree Detection
- Waterproof to 6 feet
- High Sensitivity
- Automatic Ground Calibration

Extras:

- Ruler (*inches and CM*)
- LED Flashlight, Adjustable & Super-bright
- Auto Shutdown
- Molded Lanyard Loop

**CONSTRUCTED FROM
SPECIAL ABRASION-
RESISTANT MATERIALS**
(won't wear through
like other pinpointers)



BATTERIES:

The F-Pulse operates on 2 AA alkaline, lithium or nickel-metal hydride batteries (not included). You can also use high quality rechargeable batteries. Expect approximately 25 hours of operation from alkaline batteries.

Do not use “Zinc-carbon” or “Heavy-duty” batteries.

To replace batteries:

1. Use a coin or flathead screwdriver.
2. Rotate counterclockwise to remove cap.
3. Install 2 AA batteries, positive-side down.
4. Rotate clockwise until snug to close and seal.

The battery compartment was designed to provide a snug fit for the batteries. If you experience difficulties in removing your batteries, tap the pinpointer against the palm of your opposite hand to help dislodge the batteries.

Low-Battery Warning:

If your batteries are running low and need to be replaced, you will hear a *boop-boop-boop* sound at power-down.

Critical Low-Battery:

If the batteries are totally spent, you'll hear a *boooooop* sound and the pinpointer will then turn itself off.

F-PULSE

BATTERIES (CONTINUED):

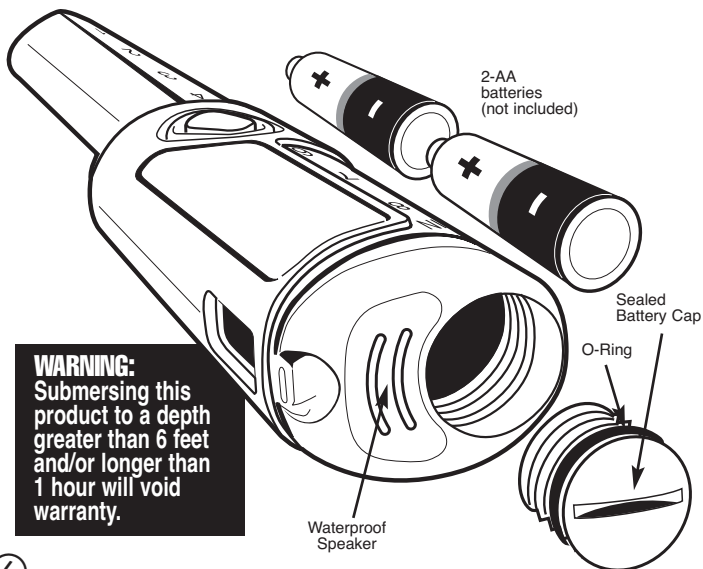
Waterproof Design:

The F-Pulse is waterproof to a depth of 6 feet for 1 hour. The rubber O-ring around the battery cap is vital to maintaining a waterproof seal.

IMPORTANT:

Check the O-ring.

Make sure there is no debris on the O-ring or in the battery cap threads.



On and Off (tones described are at factory-default settings)

Power On: Quick-Press (press and release the button, quickly)

- F-Pulse will beep and vibrate
- F-Pulse is ready to detect.

Power Off: Press-and-Hold the button.

- As soon as you hear the BEEP, release the button.
- The F-Pulse is off.

If you program the target-alarm to your own custom setting, your programmed target-alarm will also be the indication you hear, or feel, at power-on and power-off. For example: if you program the target alarm to vibrate, the pinpointer will vibrate at turn-on and turn-off.

LED Flashlight

To adjust light illumination level:

1. Start with **power off**.
2. **Press-and-Hold** the button.
Continue to hold. Light will turn on and flash.
3. Continue to press-and-hold the button and observe the different levels of brightness.
 - As long as you continue to hold the button, the F-Pulse will cycle from **Off, to Bright, then Brighter and Brightest**.
 - At the brightest setting, the light will flash.
 - The cycle will continue and repeat until you release the button.
4. **Release the button** at your desired level of illumination.
 - Alarm will confirm program is set (beep, vibrate, or both).
5. Device is powered on and ready to hunt.
6. Your programmed level of illumination will be saved to memory, even after power-down and after changing batteries.

Programming: Alarm and Sensitivity

The F-Pulse target alert can be *audible, vibratory or both*. There are three different sensitivity levels: *low, medium and high*.

Default settings:

The default settings for this pinpointer are:

- LED: 70% brightness
- Alarm: Beep and vibrate
- Sensitivity: Medium

To program the alarm-type and sensitivity-level:

1. Start with **power on**.
2. **Press-and-Hold** the button.
Do not release the button at the first alarm (beep or vibrate).
If you release the button at the first alarm, the device will turn off.
3. Following the power-down-alarm, hear the programming-alarm: JINGLE-JINGLE-JINGLE.
4. **Release the button** when you hear **JINGLE-JINGLE-JINGLE**
The device is now in programming mode

5. **Press-and-release** the button **to change settings**.
Each press of the button will advance to a different setting.
Each setting is indicated with beep(s), vibration(s) or both.
6. To choose a program, stop pressing the button at the desired setting.
7. The device will confirm your setting with beep, vibrate or both.
8. Device is now ready to hunt.

There are 9 different program settings:

Sensitivity	Detection Alert	Programming Feedback
Low	Audible	1 beep
Medium	Audible	2 beeps
High	Audible	3 beeps
Low	Vibrate	1 vibrate
Medium	Vibrate	2 vibrates
High	Vibrate	3 vibrates
Low	Audible + Vibrate	1 beep + 1 vibrate
Medium	Audible + Vibrate	2 beeps + 2 vibrates
High	Audible + Vibrate	3 beeps + 3 vibrates

Re-Tune

If at any time during operation the F-Pulse alarms irregularly or loses sensitivity, quickly press-and-release the button. This Rapid Retune will return your pinpointer to stable operation.

Ground-Mineral Calibration

Calibrate the F-Pulse to operate in mineralized ground or saltwater.

Calibration Procedure:

1. Start with power on.
2. Touch the tip of the probe to the soil, or submerge into the water.
3. *Quickly* press-and-release the button.
4. Unit responds with a beep confirming calibration is complete.

Interference (Frequency Shifting)

All metal detectors operate at different frequencies. It's these different frequencies that make certain detectors better at detecting certain targets. The F-Pulse is designed to work with the different frequencies of various detectors, and to enable the user to calibrate the F-Pulse to a frequency that eliminates (or minimizes) interference with your detector.

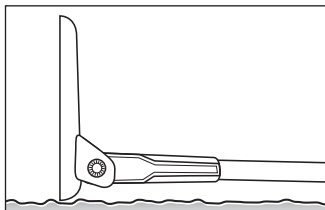
The factory default setting of the F-Pulse may interfere with your metal detector, causing it or your pinpointer to beep irregularly.

INTERFERENCE (CONTINUED):

A pinpointer is most likely to interfere with your metal detector when pointed into the horizontal plane of the searchcoil.



To minimize interference while probing the ground, lay the metal detector down with the searchcoil perpendicular to the ground.



To shift F-Pulse operating frequency:

1. **Turn off** the F-Pulse
2. Turn on your metal detector and set the sensitivity to a level at which it is stable (no irregular beeping).
3. **Quick-Press** to turn F-Pulse power on. (*Your metal detector may start beeping*).
4. **Press-and-Hold** the button.
Do not release the button at the first alarm (beep or vibrate). Following the power-down-alarm, hear the programming-alarm: TELEPHONE-RING.
Do not release the button at the programming alarm; **continue to hold the button**.

INTERFERENCE (CONTINUED):**5. Release the button when you hear the DOUBLE TONE-ROLL.**

The device is now in frequency-shift mode.

- Each time you press-and-release the button, you'll hear a *short-beep*.
 - The *short-beep* means the frequency has changed.
 - There are 16 different frequency settings.
 - If you cycle through all 16 frequencies, you'll hear a *double-beep*. You can cycle through all of the frequency selections again if you continue to press-and-release.
6. When you reach the desired frequency, your metal detector will stop beeping.
 7. The pinpointer will alarm one final time after your programming is complete.
 8. Ready to hunt. The F-Pulse will retain this programmed frequency setting.

Re-Boot

If your pinpointer becomes unresponsive and/or locks up, and any sequence of button presses does not return it to normal operation, it's time to re-boot.

1. Remove the battery door to break battery contact.
2. Replace battery door and resume operation.

Lost Mode and Auto Shutoff:

If the F-Pulse is left powered on with no button presses for 5 minutes, it will enter Lost Mode. The unit enters a low-power setting, the LED flashes and the unit beeps every 15 seconds. After 10 minutes, the unit will completely power down.

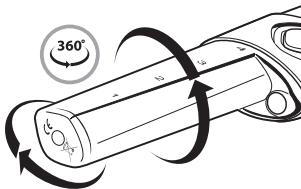
TIPS ON HOW TO USE PINPOINTER:

The F-Pulse is a powerful tool that will drastically reduce the time you spend recovering buried objects while metal detecting.

If the target is close to the surface (3 inches or less) the F-Pulse can detect the buried target prior to digging.

Detection from the surface can decrease the size of the plug you dig, causing less damage to the sod.

The detection area on the F-Pulse is 360° along the tip and barrel of the probe. For precise pinpointing, use the tip of the probe. For larger areas use a flat side-scan technique passing the length of the barrel over the surface to cover a larger area.



The F-Pulse will detect all kinds of metal including ferrous and non-ferrous metals.

The target alert (audio or vibratory) is proportional, meaning the intensity of the alert will increase as you get closer to the target.

SPECIFICATIONS:

Technology:	Pulse Induction, bipolar, fully static	
Pulse rate:	2500pps, 4% offset adjust	
Sample delay:	15us	
Response:	Audio and/or vibratory	
Sensitivity levels:	3	
LED levels:	20	
Waterproof:	6 feet for 1 hour	
Temperature range:	-15°C to 70°C	
Batteries:	(2) AA	
Battery life:	Alkaline	25 hrs
	NiMH rechargeable	15 hrs
	Lithium	50 hrs

NOTE TO CUSTOMERS OUTSIDE THE U.S.A.

This warranty may vary in other countries; check with your distributor for details. Warranty does not cover shipping costs

This device complies with Part 15 of the FCC Rules. Operation is subject to the following two conditions: (1) this device may not cause harmful interference, and (2) this device must accept any interference received, including interference that may cause undesired operation.

According to FCC part 15.21 changes or modifications made to this device not expressly approved by the First Texas Products, LLC could void the users authority to operate this equipment.

Note: This equipment has been tested and found to comply with the limits for a Class B digital device, pursuant to part 15 of the FCC Rules. These limits are designed to provide reasonable protection against harmful interference in a residential installation. This equipment generates, uses and can radiate radio frequency energy and, if not installed and used in accordance with the instructions, may cause harmful interference to radio communications. However, there is no guarantee that interference will not occur in a particular installation. If this equipment does cause harmful interference to radio or television reception, which can be determined by turning the equipment off and on, the user is encouraged to try to correct the interference by one or more of the following measures:

- Reorient or relocate the receiving antenna.
- Increase the separation between the equipment and receiver.
- Connect the equipment into an outlet on a circuit different from that to which the receiver is connected.
- Consult the dealer or an experienced radio/TV technician for help.

This device complies with Industry Canada license-exempt RSS standard(s). Operation is subject to the following two conditions: (1) this device may not cause interference, and (2) this device must accept any interference, including interference that may cause undesired operation of the device.

Le présent appareil est conforme aux CNR d'Industrie Canada applicables aux appareils radio exempts de licence. L'exploitation est autorisée aux deux conditions suivantes : (1) l'appareil ne doit pas produire de brouillage, et (2) l'appareil doit accepter tout brouillage radioélectrique subi, même si le brouillage est susceptible d'en compromettre le fonctionnement.

www.fisherlab.com

Made in USA from USA and imported parts



CE RoHS

WARRANTY:



This product is warranted against defects in materials and workmanship under normal use for **two years** from the date of purchase to the original owner. Liability in all events is limited to the purchase price paid. Liability under this warranty is limited to replacement or repair, at our option, of the product returned, shipping cost prepaid, to Fisher Research Labs. Damage due to neglect, accidental damage, misuse of this product or normal wear and tear is not covered by the warranty.

WARNING: Submersing this product to a depth greater than 6 feet and/or longer than 1 hour will void warranty.

Fisher Research Labs
1120 Alza Drive, El Paso, TX 79907
Tel. 1-800-685-5050