



**GOLDEN WAY**

# INDEX

- **Section 1:**  
**Critical Warning**
- **Section 2:**  
**Overview**
- **Section 3:**  
**Definition of the main unit buttons & leds**
- **Section 4:**  
**The device feature and specifications**
- **Section 5:**  
**Golden way device parts connecting**
- **Section 6:**  
**Golden way device operation steps**
- **Section 7:**  
**Golden way device using warnings**
- **Section 8:**  
**The device parts and accessories**



## Critical Warning

- Please be sure that all precautions are taken against risks.
  - Do not use your device while it is raining or on extremely wet floor.
  - Turn on the device after you make sure that all parts are in place and connected.
  - Make sure that the device battery is fully charged before you start the search.
  - If the device starts to give a beep sound, close the device and recharge the battery.
  - when the battery will almost die the device will close automatically.
  - It is recommended to read the user manual before starting on the device to understand everything and to avoid the mistakes through the search.
  - After the device starts to make sound and turn off automatically, put the battery on charge and do not try to switch on the device without charging the battery.
  - If the green light and the red light on the charger are on, it means the battery is full, and if the battery is empty, the red light will be on.
  - Be aware of high voltage resources, and do not use any charger other than the original charger that comes with the device.
  - Main unit of the device is under warranty against all electronic breakdowns for two (2) years, any damages caused by user errors (laying open the main unit, hits, harms etc.) are not within this warranty.
  - Battery, antennas and tablet are also not under the warranty.
  - You should follow the instructions in this user manual strictly to minimize the faults and to use your device correctly.
- We wish you all the best of luck in your search.....

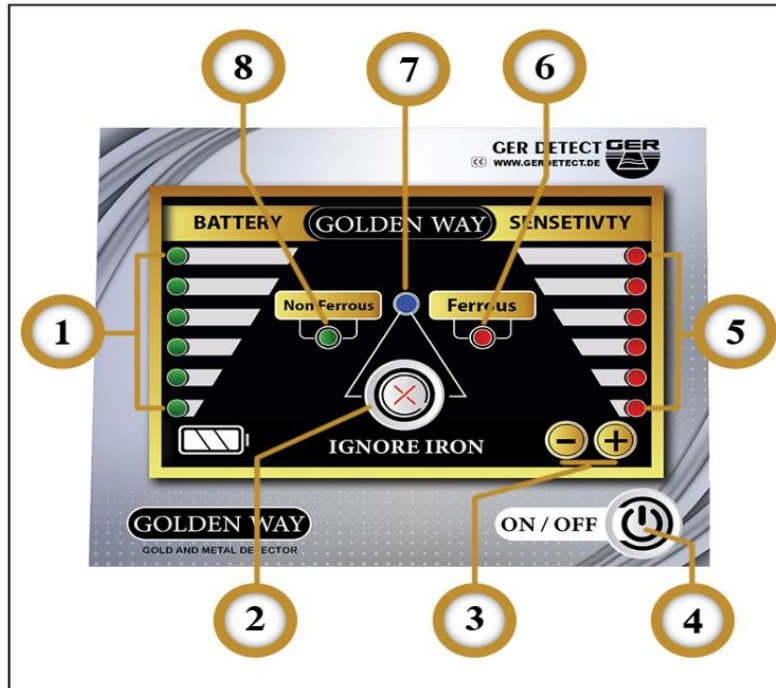
# OVERVIEW

*Dear customer,*

**“Thank you for choosing GOLDEN WAY”**

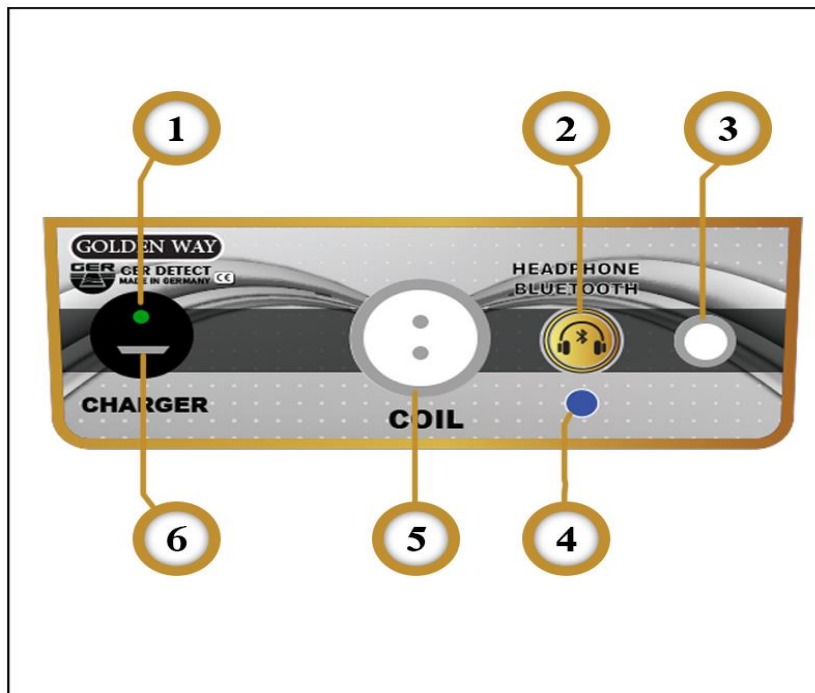
- ✓ **This product enables you to detect gold nuggets, precious, and non-precious metal buried underground.**
  
- ✓ **The world's first-of-its-kind device that operates on a pulse induction system to detect internal treasures such as gold nuggets, precious metals and ancient coins.**
  
- ✓ **Golden way is designed to operate in all kinds of terrain and in the most difficult climatic conditions.**
  
- ✓ **Golden way can skip all kinds of minerals and mineral rocks using automatic calibration technology.**
  
- ✓ **The device depth is up to 3 meters under the ground.**

## Definition of the main unit buttons & led



### Description

①	<b>Battery Indicator:</b> Battery charge percentage indicator from 1 to 6 levels.
②	<b>Ignore iron button:</b> is to ignore the ferrous or non-precious metals.
③	<b>Positive (+) and negative (-) buttons:</b> to control the sensitivity of the search coil.
④	<b>ON / OFF button</b>
⑤	<b>The sensitivity indicator ranges from 1 to 6 levels.</b>
⑥	<b>Ferrous indicator:</b> red color indicates the presence of non-precious metals (iron).
⑦	<b>Ignore iron indicator:</b> blue color denotes ignoring ferrous metals (ignoring iron).
⑧	<b>Non-Ferrous indicator:</b> green color indicates the presence of precious metals (other than ferrous).



Description	
①	<b>Charging Indicator:</b> It turns on red when the battery needs to be charged. It turns on green when the battery is fully charged.
②	<b>Bluetooth headset ON / OFF button</b>
③	<b>The headset cable port.</b>
④	<b>Bluetooth indicator:</b> It turns on when the bluetooth is active.
⑤	<b>The coil cable port.</b>
⑥	<b>The charger port.</b>

## The device feature and Specifications

**Golden Way** device integrates an advanced automatic (VLF) system with high accuracy in identifying metals, up to a depth of 3 meters underground.

The fastest and easiest system to detect gold nuggets, raw gold, and underground gold, bronze, and silver coins.

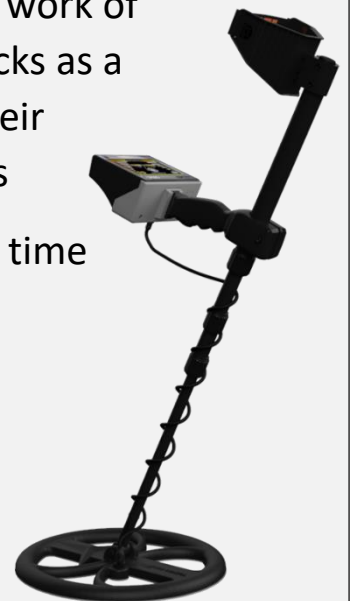
**Golden Way** device is featured by a fully automatic operation system that is not affected by soil types: humid, or rich in mineral salts or mineral rocks.

That is, it can bypass all types of mineral rocks, using automatic calibration technology, including sedimentary, metamorphic, and igneous rocks, which consist of two types:

Granite and basalt:

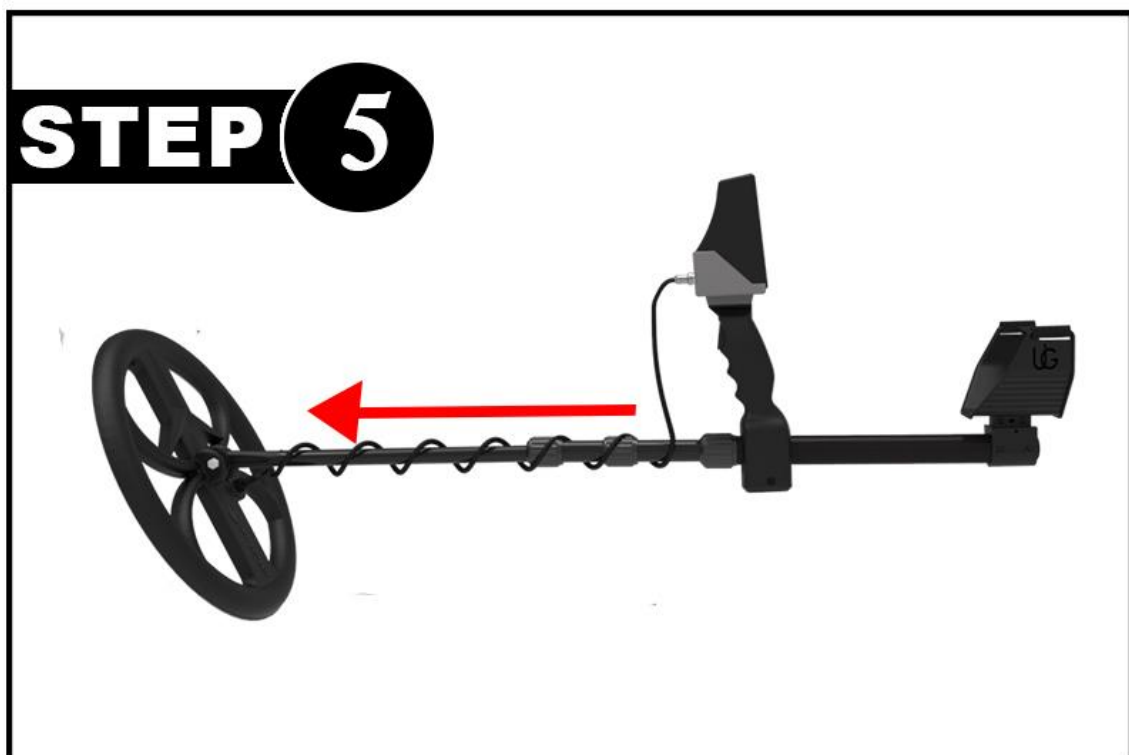
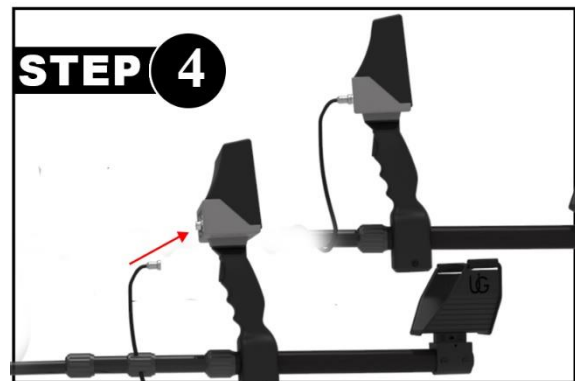
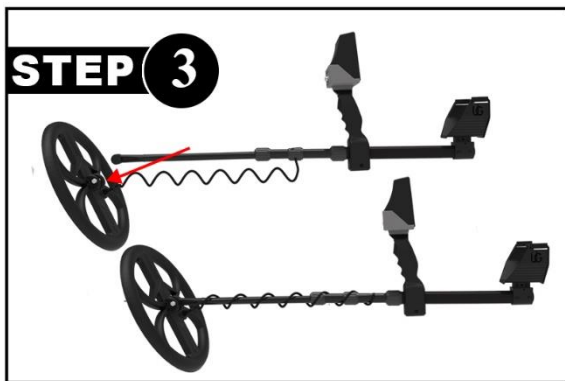
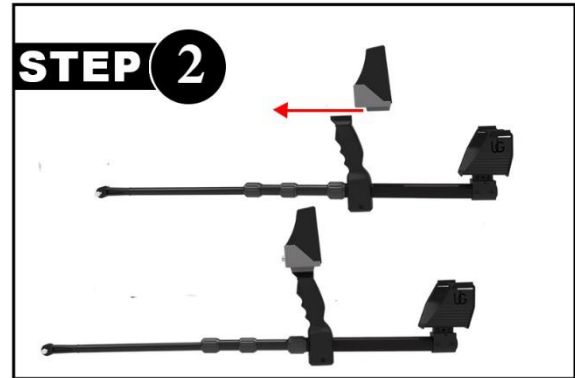
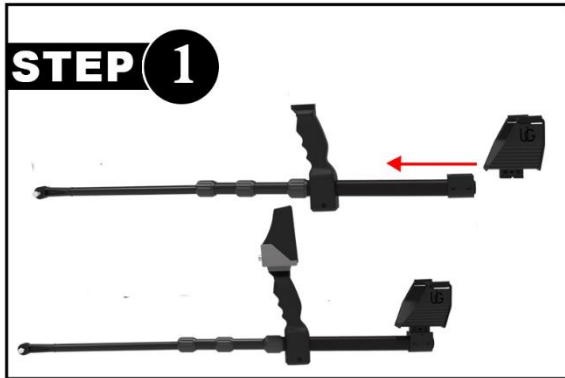
They are among the worst types of rocks that hinder the work of many devices in the market, due to the change of the rocks as a result of their chemical interaction with the earth and their transformation into rock tissue, i.e., mineral components

So, you can start searching immediately without wasting time programming the device.





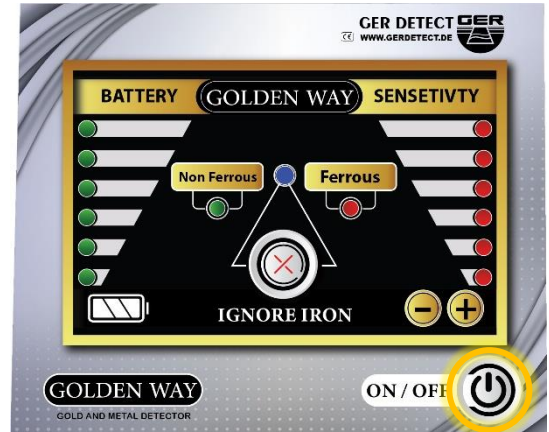
## The Golden way device parts connecting





## The Golden way device operation steps

Turn on the device by pressing the **ON/OFF** button for two seconds,  
It will start on by making a sound.



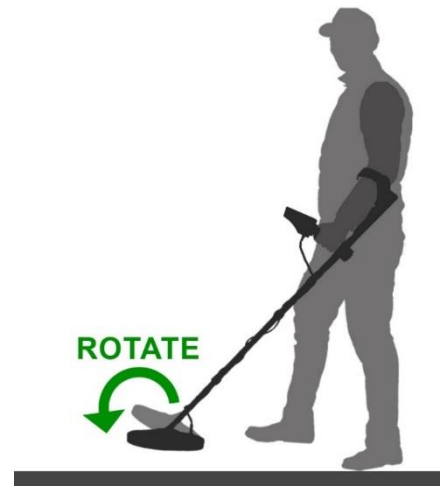
### How to connect the Bluetooth headset to the device.

- Turn on the Bluetooth headset by the **ON / OFF** button on the headphone.
- Turn on the Bluetooth in the device via the button on the back of the main unit.
- Wait for two seconds until you hear a successfully connected sound from the headphone.

Or you can also use the headphone cable by connecting it to the designated place in the main unit.



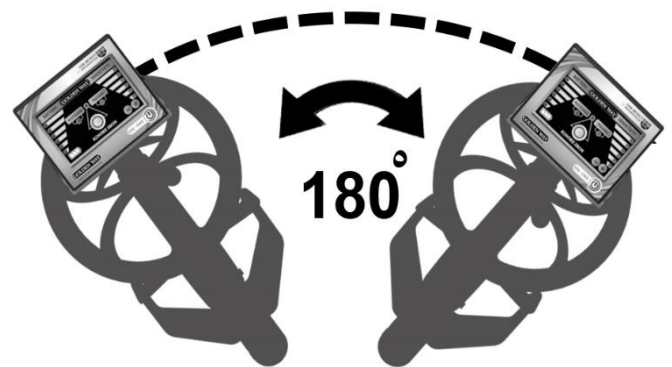
Adjust the search coil to be parallel with  
The ground by moving the coil up and down  
Gently will Touching the ground



The search coil should be raised almost 2 cm  
from the ground while keeping it parallel to  
the ground.



-Start the search process by moving the  
device left and right.

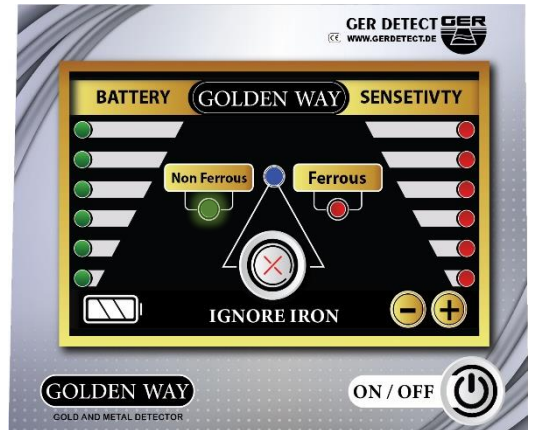


**NON-FERROUS:** when precious metal (such as gold, silver, bronze, and coins, ...etc.) is detected by a signal, the device will make a sound with the green indicator on.

**FERROUS:** if the signal is emanating from non-precious metal, the device will sound in a different tone while the red indicator lights up.

**IGNORE IRON:** If you are only searching for precious metals, press the "Ignore Iron" button.

When non-precious metal is detected, the device will hide the sound with the red indicator on.



## The **Golden way device** using warnings

Don't keep the coil close to your body while searching.

Don't wear any metals on your hand.

Don't put any type of metals in your pocket for example, (coins, keys), or mobile phone.



Avoid excessive contact with the ground





## Note:

The target must be buried underground for many years, so that by the time and interaction with the soil's composition, an ionic field will be formed which will help prospectors to detect the target.

Therefore, testing the device on metals laid on the ground or newly buried under the ground will not show the real capacity and functionality of this device to detect the target or to reach larger depths.

The reason for that is that the ionic fields are radiations from gold and other metals that have been in the ground for a long time and have intersected and interacted with the soil and the nature of the earth as well as having been regulated with magnetic fields north and south

These features do not actualize in gold and other metals when they exist on the ground or newly buried.

## The device parts and accessories



**Safety bag**



**A warranty card**



**Main unit**



**Search coil  
30x30 CM**



**Search coil  
15x15 CM**



**Headphones**



**Car charger**



**Charger**





**The support arms**



**Armrest**



**Plastic screw**



**Multi Shovel**



**GOLDEN WAY**