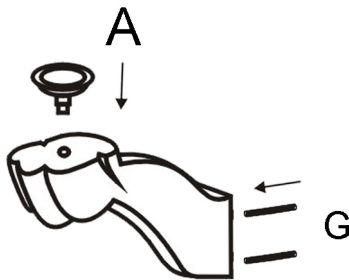


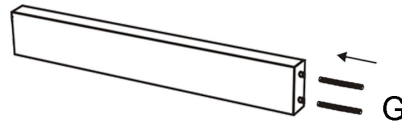
- | | | | | | | | | | | |
|----------|-------------------|-------------------|----------|-----------------|----------|----------|----------|----------|----------|----------|
| A | B | C | D | E | F | G | H | I | J | K |
| 6 PCS | 16 SETS
8*50MM | 16 SETS
8*35MM | 1 PC | 8 PCS
4*25MM | 1 PC | 16 SETS | 1 PC | 10 PCS | 1 PC | 1 PC |



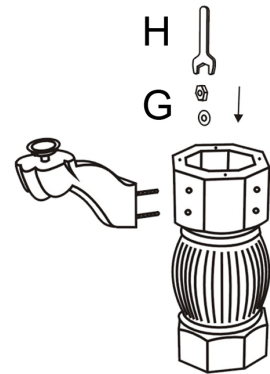
1 ATTACH LEVELER AND INSERT MOUNTING BOLTS



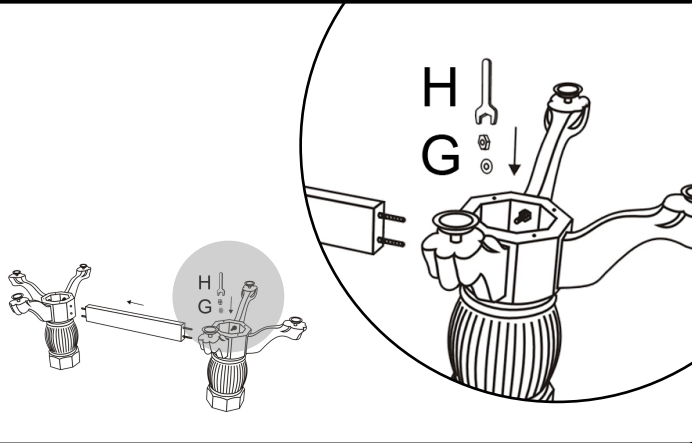
2 INSERT MOUNTING BOLTS



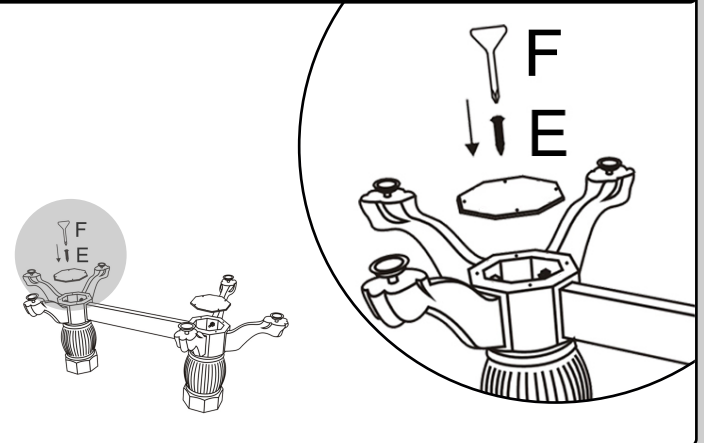
3 ATTACH PEDESTALS TO COLUMN



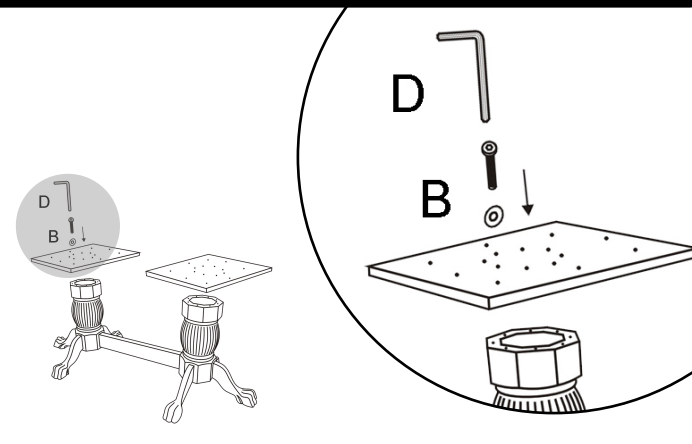
3 CONNECT MIDDLE BEAM



4 ATTACH BOTTOM PLATE



5 ATTACH MOUNTING BOARD



6 ATTACH TABLE TOP

